



Agroparts: www.HARDI-INTERNATIONAL.com

Navigator 4500/6200 DELTA
FORCE DTZ

Country-Code 11

Date 07.02.2020 10:03

**Navigator 4500/6200
(1200/1600 gal.)
DTZ 90', 120'/132'**





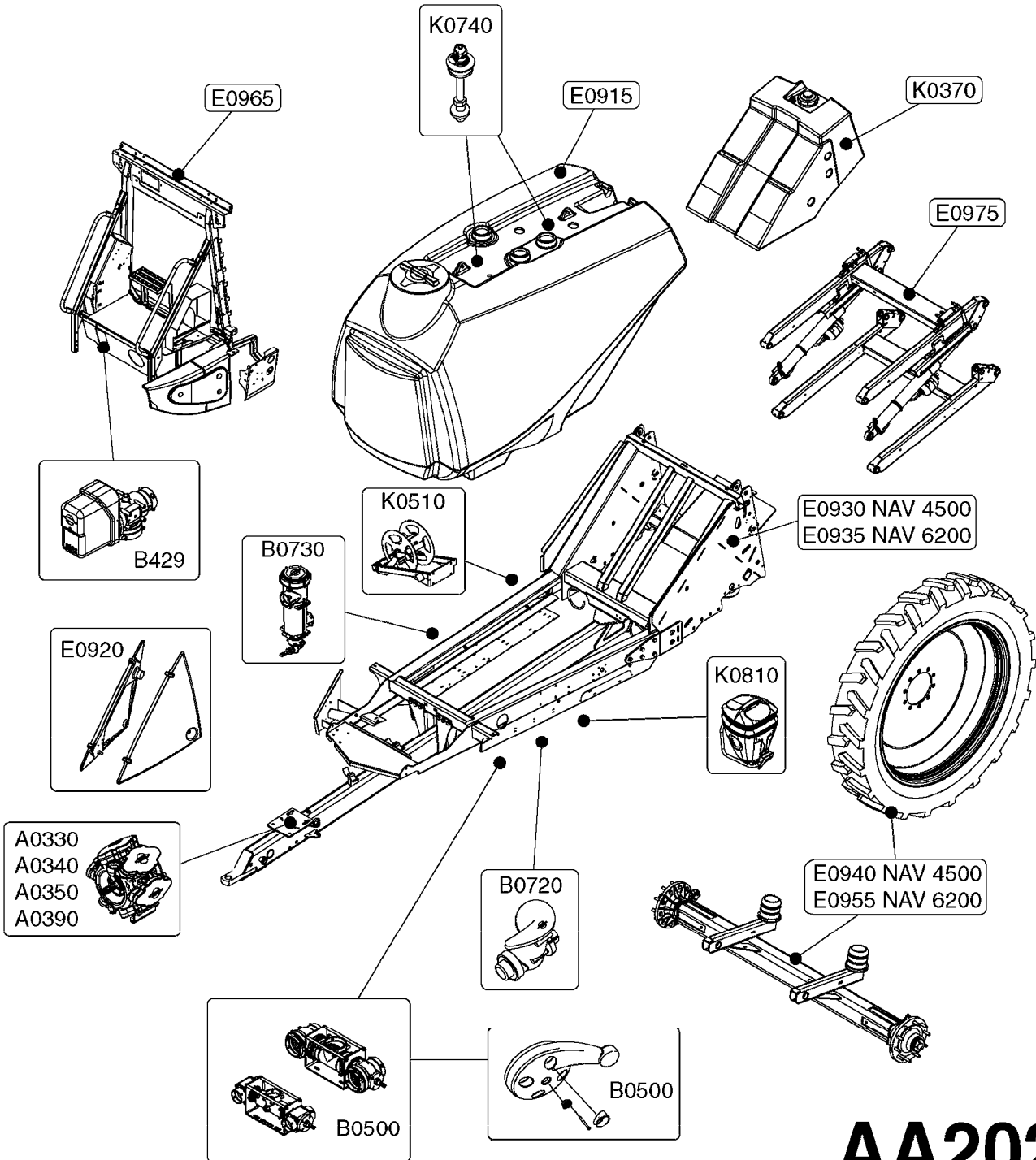
| main group | page-n° | date | description |
|------------------------------|-----------|----------|---------------------------------|
| System overview | AA202-HIN | 17:08:17 | NAVIGATOR 45/6000 OVERVIEW |
| Pumps | A0330-HIN | 01:01:16 | PUMP - 463 W/ MOUNTING BASE |
| | A0340-HIN | 01:01:16 | PUMP - 463/1000 RPM W/MOUNTING |
| | A0350-HIN | 23:04:19 | PUMP - 464 540/1000 RPM |
| | A0390-HIN | 28:05:19 | PUMP - 460/462/463 FITTINGS |
| | A0510-HIN | 23:10:18 | PTO SHAFTS - BONDIOLI DIAPH. |
| | A0580-HIN | 01:01:16 | PTO SHAFTS - AMA DIAPHRAGM |
| | A0600-HIN | 23:10:18 | PTO SHAFTS - BONDIOLI G-SERIES |
| Controls, Filters, Valves | B412-HIA | 27:04:16 | DISTRIBUTOR EFC DIVIDED (05) |
| | B415-HIA | 06:06:17 | VALVE 3-WAY Ø33 MANUAL S67 |
| | B429-HIA | 25:08:16 | DF4 VALVE SYNTAL/CERAMIC |
| | B0430-HIN | 12:09:19 | MANIFOLD - S67 VALVE |
| | B0500-HIN | 28:01:19 | SMART VALVE S67 S93 (07) |
| | B0550-HIN | 28:01:19 | MANIFOLD - S93 VALVE (07) |
| | B0610-HIN | 04:01:18 | CHECK VALVES - S40 |
| | B0620-HIN | 01:01:16 | CHECK VALVES - S53 |
| | B0630-HIN | 31:07:19 | CHECK VALVES - S67 |
| | B0640-HIN | 15:10:19 | CHECK VALVES - S67 (2011) |
| | B0720-HIN | 01:01:16 | EASY CLEAN FILTER |
| | B0730-HIN | 01:01:16 | PRESSURE FILTER - CYCLONE |
| | B0840-HIN | 30:07:19 | AGITATION VALVE S67 MANUAL |
| Hydraulics | C014-HIA | 09:07:18 | DTZ HYD. BLOCK |
| | C015-HIA | 30:03:15 | DTZ ANTI-YAW HYD. BLOCK |
| | C0030-HIN | 01:01:16 | HYDRAULICS - FAROIL CYLINDERS |
| | C0040-HIN | 01:10:19 | HYDRAULICS - CYLINDERS (07) |
| | C0580-HIN | 01:01:16 | CETOP VALVES |
| | C0685-HIN | 11:07:19 | BASIC HYDRAULICS NAV 4500/6200 |
| | C0840-HIN | 05:06:19 | DTZ BASIC HYDRAULIC |
| | C0850-HIN | 05:06:17 | DTZ 3 FOLD HYD.OUTER 120'/132' |
| | C0860-HIN | 06:06:17 | DTZ 2 FOLD HYD.OUTER 90' |
| | C0870-HIN | 14:05:19 | CM/NAV HYD. PARALIFT |
| | C0880-HIN | 17:08:17 | HYD. DRIVE PUMP 464H |
| | C0910-HIN | 13:05:19 | HYDRAULIC SOLENOIDS |
| | C0920-HIN | 05:06:19 | HYD. DAMPER, LOCKING CYLINDER |
| Booms, Nozzle Bodies & Tubes | D0900-HIN | 05:06:19 | DTZ TRAPEZE CENTER |
| | D0910-HIN | 17:05:17 | DTZ HYDRAULIC YAW |
| | D0920-HIN | 18:05:17 | DTZ MECHANICAL YAW |
| | D0930-HIN | 15:07:19 | DTZ 120'/132' BOOM 3 FOLD INNER |
| | D0940-HIN | 29:06:17 | DTZ 120'/132' BOOM 3 FOLD OUTER |
| | D0950-HIN | 15:07:19 | DTZ 90' BOOM 2 FOLD INNER |
| | D0960-HIN | 30:06:17 | DTZ 90' BOOM 2 FOLD OUTER |
| | D0970-HIN | 16:10:18 | DTZ BREAKAWAYS |
| | D0980-HIN | 30:05:17 | DTZ HYD. BOOM LOCK |
| | D0990-HIN | 05:07:17 | TRANSPORT BRACKET DTZ |
| | D1000-HIN | 01:01:16 | BOOM-NOZZLES 110° FLAT FAN ISO |
| | D1010-HIN | 01:01:16 | BOOM-NOZZLES 110° LOWDRIFT ISO |
| | D1020-HIN | 01:01:16 | BOOM-NOZZLES 80° FLAT FAN ISO |
| | D1030-HIN | 28:11:17 | BOOM-NOZZLE CAPS AND FILTERS |
| | D1040-HIN | 01:01:16 | BOOM-NOZZLES INJET |
| | D1045-HIN | 04:05:17 | BOOM-NOZZLES TEEJET |
| | D1050-HIN | 01:01:16 | BOOM-NOZZLES MINDRIFT |
| | D1060-HIN | 01:01:16 | BOOM-NOZZLES QUINTASTREAM |
| | D1090-HIN | 01:01:16 | NOZZLE BODIES-SNAP FIT |



| main group | page-n° | date | description | |
|--------------------------------|-----------|--------------------------|------------------------------------|----------------------|
| Tank and Frame: Field Sprayers | D1100-HIN | 01:01:16 | DOUBLE NOZZLE HOLDER-SNAP FIT | |
| | D1110-HIN | 08:04:19 | NOZZLE TUBES & HOLDER-PLASTIC | |
| | D1130-HIN | 05:04:18 | NOZZLE BODIES - T25 | |
| | D1140-HIN | 29:11:17 | NOZZLE TUBES - PLASTIC T25 | |
| | D1150-HIN | 01:03:18 | NOZZLE TUBES - STNLS STEEL T25 | |
| Special equipment, Extras | E0780-HIN | 01:01:16 | HUB ASSEMBLY F.3-1/2" SPINDLE | |
| | E0915-HIN | 10:08:18 | TANK - NAVIGATOR 4500/6200 | |
| | E0920-HIN | 01:01:16 | LOCKER & CLEAN WATER TANK NAV | |
| | E0930-HIN | 12:07:17 | FRAME-NAVIGATOR 3000/3500/4000 | |
| | E0935-HIN | 06:07:17 | FRAME-NAVIGATOR 6000 | |
| | E0940-HIN | 13:07:17 | NAVIGATOR SUSPENSION AND AXLES | |
| | E0950-HIN | 01:01:16 | NAV. ADJUSTABLE AXLE 60"-120" | |
| | E0955-HIN | 07:07:17 | NAVIGATOR 6200 AXLES | |
| | E0965-HIN | 21:07:17 | NAVIGATOR DF4 PLATFORM | |
| | E0975-HIN | 26:07:17 | NAVIGATOR HEAVY PUSH PARALIFT | |
| | E1290-HIN | 16:08:17 | AGITATION TUBE | |
| | Fittings | K0230-HIN | 01:01:16 | END NOZZLE KIT |
| | | K0240-HIN | 01:01:16 | END NOZZLE KIT - T25 |
| K0260-HIN | | 01:01:16 | ELECTRIC END NOZZLE KIT '12 | |
| K0270-HIN | | 28:09:16 | FILTER ASSEMBLIES-IN LINE | |
| K0370-HIN | | 01:01:16 | FLUSH SYSTEM - NCM/NAVIGATOR | |
| K0400-HIN | | 01:01:16 | FOAM MARKER COMPRESSOR 2007 | |
| K0430-HIN | | 05:12:19 | FOAMMARKER TANK/DROPPER 2000 | |
| K0470-HIN | | 07:08:19 | FOAM MARKER TANK - NCM/NAV | |
| K0472-HIN | | 23:10:18 | FOAM MARKER - RICHWAY NAVIGATOR | |
| K0476-HIN | | 26:02:18 | FOAM MARKER - DROPPER RICHWAY | |
| K0478-HIN | | 26:09:16 | FOAM MARKER - DUAL DROPPER RICHWAY | |
| K0480-HIN | | 01:01:16 | HANDGUN TYPE 60S/60L POST 95 | |
| K0510-HIN | | 01:01:16 | HOSE REEL - NAVIGATOR | |
| K0520-HIN | | 05:12:19 | HOSE WRAPS | |
| K0560-HIN | | 01:01:16 | PRESSURE GAUGES | |
| K0630-HIN | | 28:01:19 | QUICKFILL - NAV3000/3500/4000 | |
| K0640-HIN | | 01:01:16 | QUICKFILL - FLUSH/NAV3000-4000 | |
| K0710-HIN | | 01:01:16 | REMOTE GAUGES - NAVIGATOR | |
| K0740-HIN | | 01:01:16 | RINSE SYSTEM NOZZLE - LOW MOD. | |
| K0770-HIN | | 01:01:16 | SAFETY CHAINS | |
| K0780-HIN | 25:09:19 | SIGHT GAUGE - REMOTE | | |
| K0810-HIN | 25:04:19 | TURBOFILLER | | |
| K0820-HIN | 04:12:19 | TURBOFILLER S25 MANIFOLD | | |
| Electrical Equipment | L0010-HIN | 01:01:16 | FITTINGS-CAP NUTS & HOSE BARBS | |
| | L0020-HIN | 01:01:16 | FITTINGS-T-PIECES,CAPS & ELBOWS | |
| | L0030-HIN | 01:01:16 | FITTINGS - HEXAGON NIPPLES | |
| | L0040-HIN | 01:01:16 | FITTINGS - NIPPLES & ELBOWS | |
| | L0050-HIN | 01:01:16 | FITTINGS - HOSE CONNECTORS | |
| | L0060-HIN | 01:01:16 | FITTINGS - BULKHEAD | |
| | L0070-HIN | 13:09:17 | FITTINGS - S-40 | |
| | L0080-HIN | 12:09:17 | FITTINGS - S-53 | |
| | L0090-HIN | 01:01:16 | FITTINGS - S-56 & S-61 | |
| | L0100-HIN | 21:06:18 | FITTINGS - S-67 | |
| | L0110-HIN | 13:09:17 | FITTINGS - S-93 | |
| | L0120-HIN | 17:10:19 | BULK HOSE | |
| | L0130-HIN | 16:10:19 | HOSE CLAMPS | |
| | L0140-HIN | 01:01:16 | FITTINGS - T25 | |
| | M0020-HIN | 11:12:17 | BOOM AND WORKING LIGHT KIT 09 | |



| main group | page-n° | date | description |
|------------|-----------|----------|-------------------------------|
| | M0120-HIN | 01:01:16 | TRANSDUCERS AND ACCESSORIES |
| | M0130-HIN | 12:12:16 | COMMON SENSORS AND BRACKETS |
| | M0140-HIN | 01:01:16 | PRESSURE SENSOR - AMP |
| | M0165-HIN | 05:11:18 | TRAFFIC LIGHT KIT - DTZ |
| | M0200-HIN | 23:06:16 | SPRAYBOX II |
| | M0210-HIN | 30:05:17 | HYDRAULIC CONTROL BOX 39-PIN |
| | M0220-HIN | 12:05:18 | CABLES |
| | M0230-HIN | 01:01:16 | JUNCTION BOX - LIQUID |
| | M0240-HIN | 01:01:16 | POWER SUPPLY CABLES |
| | M0250-HIN | 01:02:17 | JOB COM AND BREAK OUT |
| | M0280-HIN | 28:03:17 | 39 PIN CABLES |
| | M0370-HIN | 16:10:18 | NORAC UC5 BOOM HEIGHT CONTROL |
| | M0375-HIN | 26:06:17 | NORAC UC5 SENSOR BRACKETS |
| | M0380-HIN | 30:04:19 | NORAC VAR. RATE VALVE UC4/UC5 |
| | M0390-HIN | 01:01:16 | DHP BREAK OUT BOX 2007 |
| | M0400-HIN | 01:01:16 | HYD. JUNCTION BOX 2012 |
| | M0450-HIN | 12:12:16 | SYSTEM OVERVIEW HC8600/9600 |
| | M0470-HIN | 06:12:16 | HC8600/9600 DISPLAY |
| | M0490-HIN | 13:03:19 | NORAC UC7 BOOM HEIGHT CONTROL |
| | M0500-HIN | 26:06:17 | NORAC UC7 SENSOR BRACKETS |
| | M0510-HIN | 19:06:19 | REMOTE TANK GAUGE DISPLAY |





NAVIGATOR 45/6000 OVERVIEW
AA202-HIN, 17:08:17

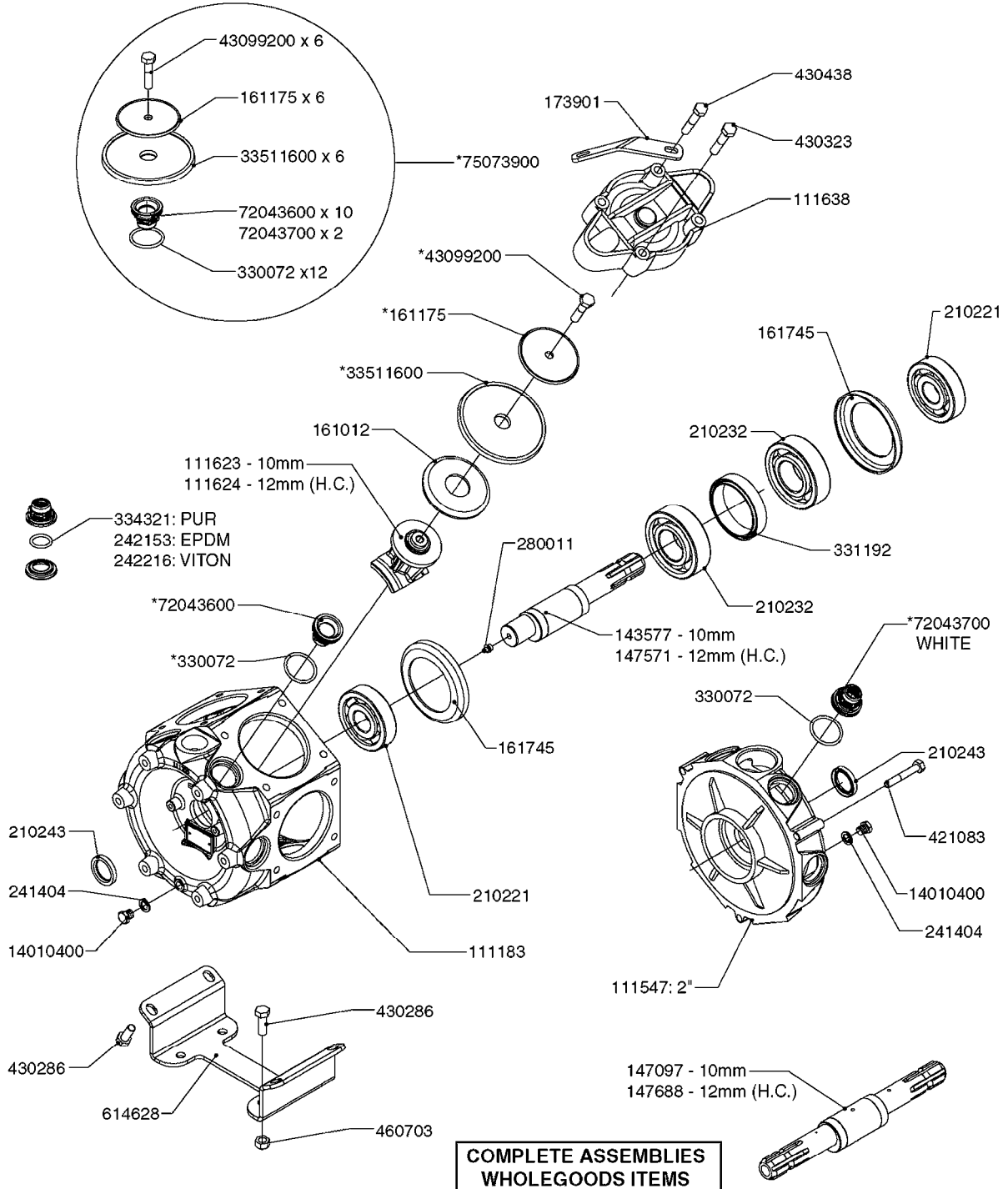
Page 1

Date 07.02.2020 10:03

| parts-n° | order qty | description |
|----------|-----------|-------------|
| | | |



PUMP REPAIR KIT



**COMPLETE ASSEMBLIES
WHOLEGOODS ITEMS**

COMPLETE PUMPS

- 821587 - 463/10 2" W/THROUGH SHAFT (540 RPM)
- 82166300 - 463/12 2" (540 RPM H.C. INLINE PORTS)
- 463/12 2" (540 RPM H.C. OFFSET PORTS) REPLACED BY 82168700 (PAGE A0350)

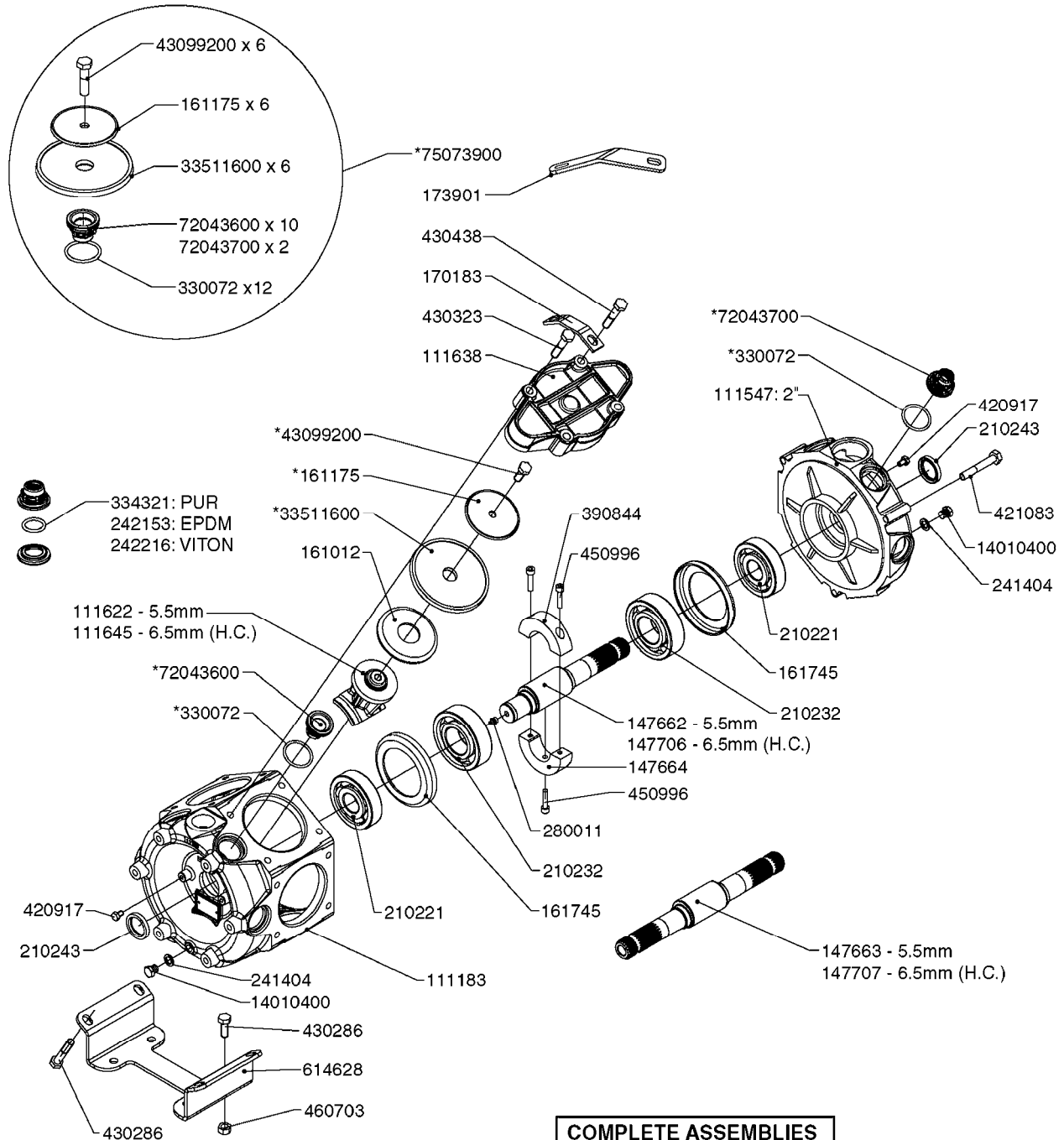
A0330



PUMP - 463 W/ MOUNTING BASE
A0330-HIN, 01:01:16

Page 1
Date 07.02.2020 10:03

| parts-n° | order qty | description |
|----------|-----------|-----------------------------------|
| 111183 | 1 | PUMP CASTING 460-463 (PAINTED) |
| 111547 | 1 | PUMP FRONT 460-463-2' (PAINT) |
| 111623 | 1 | CONNECTING ROD 463/10MM |
| 111624 | 1 | CONNECTING ROD 463/12MM |
| 111638 | 1 | VALVE COVER 463 HC+1000 VERS. |
| 143577 | 1 | CRANK SHAFT F.363/462/463-10mm |
| 147097 | 1 | CRANK SHAFT 363-463/10 THROUGH |
| 147571 | 1 | CRANK SHAFT F.463-12mm |
| 147688 | 1 | CRANK SHAFT 462/12 THROUGH |
| 161012 | 1 | DIAPHRAGM BACKING DISC F. 463 |
| 161175 | 1 | DIAPHRAGM DISC 463/464 PUMP |
| 161745 | 1 | METAL SPACER F.363/463 |
| 173901 | 1 | LIFT STRAP F.PUMP 463 |
| 210221 | 1 | BEARING BALL 6407 |
| 210232 | 1 | BEARING BALL 6310 |
| 210243 | 1 | SEAL OIL 35 X 47 X 7 |
| 241404 | 1 | DOWTY SEAL 1/4" |
| 242153 | 1 | O-RING D26X4 EPDM |
| 242216 | 1 | O-RING VITON F/1202/1302/462 |
| 280011 | 1 | GREASE NIPPLE 1/8' SAE H TR |
| 330072 | 1 | O-RING D53.5/D45.5X4 |
| 331192 | 1 | SPACER, MODEL 361/363 |
| 334321 | 1 | O-RING POLY. 34.0x26.0x4.0 |
| 421083 | 1 | BOLT HEX 8.8 DEL M10X65 |
| 430286 | 1 | BOLT HEX 8.8 DEL M12X30 FT |
| 430323 | 1 | BOLT HEX 8.8 DEL M12X60 |
| 430438 | 1 | BOLT HEX 8.8 DEL M12X65 |
| 460703 | 1 | NUT HEX M12X1.75 LOCK DIN985A2 SS |
| 614628 | 1 | FOOT F. 46X PUMP, RED |
| 821587 | 1 | PUMP 463/10 THROUGH SHAFT TWNF |
| 14010400 | 1 | PLUG 1/4" BSP |
| 33511600 | 1 | DIAPHRAGM PUMP 463/464 PUMP PUR |
| 43099200 | 1 | BOLT HEX SS M12 X 30 DIN933 A4 |
| 72043600 | 1 | VALVE FOR 462/463 |
| 72043700 | 1 | VALVE FOR 462/463 W.VENT HOLE |
| 75073900 | 1 | PUMP KIT 460/463 "06" |
| 82166300 | 1 | PUMP 464-12-MED-2-540 |
| 82168700 | 1 | PUMP 464-12 540 OFFSET PORTS |



**COMPLETE ASSEMBLIES
WHOLEGOODS ITEMS**

COMPLETE PUMPS

- 821585 - 463/5.5 W/THROUGH SHAFT (1000 RPM)
- 821587 - 463/10 W/THROUGH SHAFT (540 RPM)
- 82169400 - 464/6.5 (1000 RPM - H.C. INLINE PORTS)
- 72293300 - 463/6.5 W/THROUGH SHAFT (1000 RPM)
- 463/12 (540 RPM H.C. OFFSET PORTS) REPLACED BY 82168700 (PAGE A0350)
- 463/6.5 (1000 RPM H.C. OFFSET PORTS) REPLACED BY 82168800 (PAGE A0350)

A0340

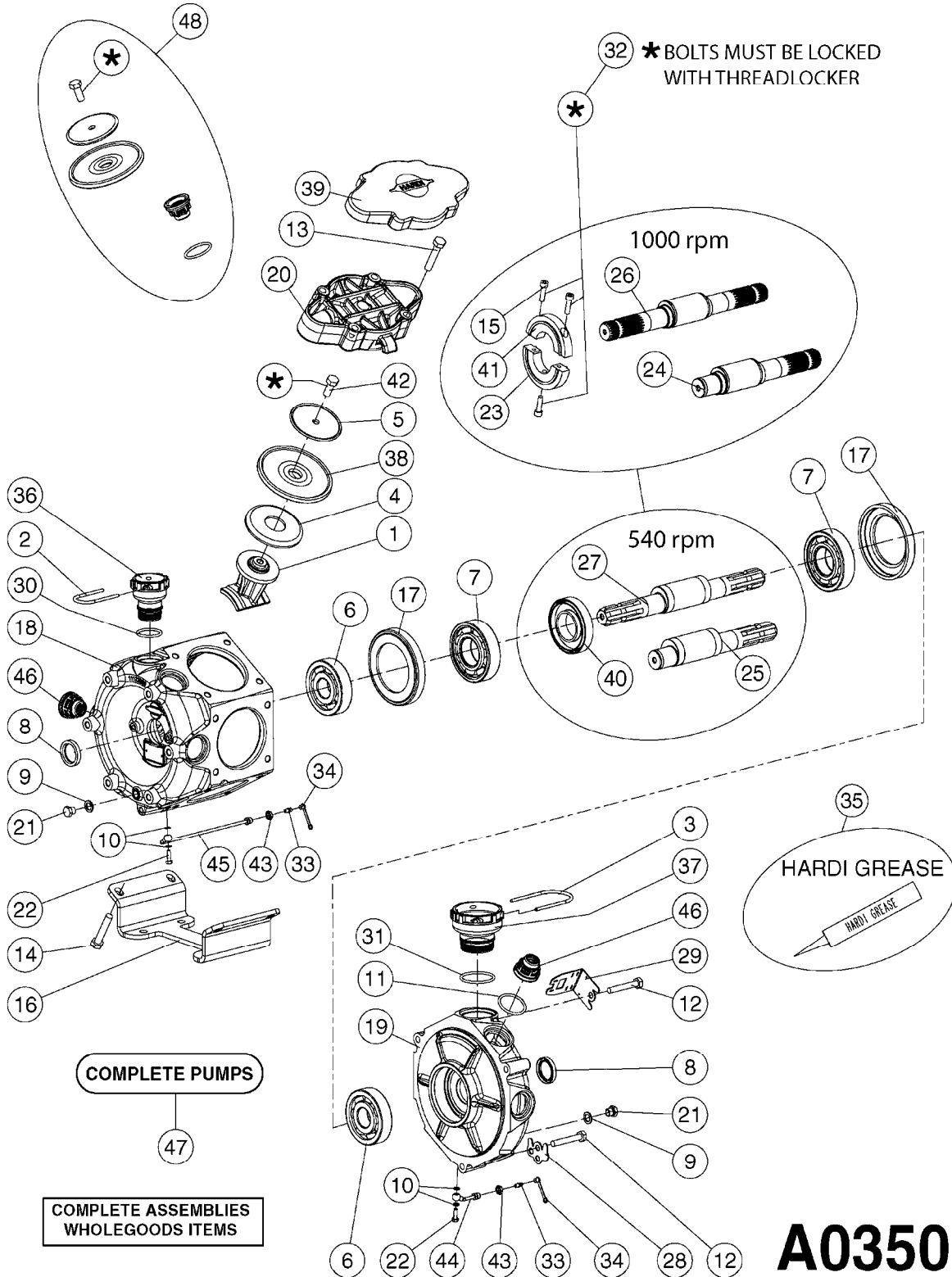


PUMP - 463/1000 RPM W/MOUNTING
A0340-HIN, 01:01:16

Page 1

Date 07.02.2020 10:03

| parts-n° | order qty | description |
|----------|-----------|-----------------------------------|
| 111183 | 1 | PUMP CASTING 460-463 (PAINTED) |
| 111547 | 1 | PUMP FRONT 460-463-2' (PAINT) |
| 111622 | 1 | CONNECTING ROD 463/5.5MM |
| 111638 | 1 | VALVE COVER 463 HC+1000 VERS. |
| 111645 | 1 | CONNECTING ROD 463/6.5MM |
| 147662 | 1 | CRANK SHAFT F.363/463-5.5MM |
| 147663 | 1 | CRANK SHAFT 363/463-5.5 THROUG |
| 147664 | 1 | COUNTERBALANCE 363/463 WEIGHT |
| 147706 | 1 | CRANK SHAFT F.363/463-6.5MM |
| 147707 | 1 | CRANK SHAFT 363/463-6.5 THROUG |
| 161012 | 1 | DIAPHRAGM BACKING DISC F. 463 |
| 161175 | 1 | DIAPHRAGM DISC 463/464 PUMP |
| 161745 | 1 | METAL SPACER F.363/463 |
| 170183 | 1 | LIFT STRAP F.PUMP 360/361/462 |
| 173901 | 1 | LIFT STRAP F.PUMP 463 |
| 210221 | 1 | BEARING BALL 6407 |
| 210232 | 1 | BEARING BALL 6310 |
| 210243 | 1 | SEAL OIL 35 X 47 X 7 |
| 241404 | 1 | DOWTY SEAL 1/4" |
| 242153 | 1 | O-RING D26X4 EPDM |
| 242216 | 1 | O-RING VITON F/1202/1302/462 |
| 280011 | 1 | GREASE NIPPLE 1/8' SAE H TR |
| 330072 | 1 | O-RING D53.5/D45.5X4 |
| 334321 | 1 | O-RING POLY. 34.0x26.0x4.0 |
| 390844 | 1 | COUNTERBALANCE 363/463 POM |
| 420917 | 1 | BOLT HEX 8.8 RAW M8X12 FT |
| 421083 | 1 | BOLT HEX 8.8 DEL M10X65 |
| 430286 | 1 | BOLT HEX 8.8 DEL M12X30 FT |
| 430323 | 1 | BOLT HEX 8.8 DEL M12X60 |
| 430438 | 1 | BOLT HEX 8.8 DEL M12X65 |
| 450996 | 1 | BOLT ALLEN M8X35 DIN 912 RAW |
| 460703 | 1 | NUT HEX M12X1.75 LOCK DIN985A2 SS |
| 614628 | 1 | FOOT F. 46X PUMP, RED |
| 821585 | 1 | PUMP 463/5.5 THRGH SHAFT 1000R |
| 821587 | 1 | PUMP 463/10 THROUGH SHAFT TWNF |
| 14010400 | 1 | PLUG 1/4" BSP |
| 33511600 | 1 | DIAPHRAGM PUMP 463/464 PUMP PUR |
| 43099200 | 1 | BOLT HEX SS M12 X 30 DIN933 A4 |
| 72043600 | 1 | VALVE FOR 462/463 |
| 72043700 | 1 | VALVE FOR 462/463 W.VENT HOLE |
| 72293300 | 1 | PUMP 463/6.5 MED-2-1000-GG |
| 75073900 | 1 | PUMP KIT 460/463 "06" |
| 82168700 | 1 | PUMP 464-12 540 OFFSET PORTS |
| 82168800 | 1 | PUMP 464 6.5 1000 OFFSET PORTS |
| 82169400 | 1 | PUMP 464-6.5-STD-2-1000 FK |





PUMP - 464 540/1000 RPM
A0350-HIN, 23:04:19

Page 1
Date 07.02.2020 10:03

| Pos. | parts-n° | order qty | description |
|------|----------|-----------|--------------------------------------|
| 1 | 111622 | 1 | CONNECTING ROD 463/5.5MM |
| 1 | 111623 | 1 | CONNECTING ROD 463/10MM |
| 1 | 111624 | 1 | CONNECTING ROD 463/12MM |
| 1 | 111645 | 1 | CONNECTING ROD 463/6.5MM |
| 2 | 145996 | 1 | FITT.DK S-67 FORK |
| 3 | 145997 | 1 | FITT.DK S-93 FORK |
| 4 | 161012 | 1 | DIAPHRAGM BACKING DISC F. 463 |
| 5 | 161175 | 1 | DIAPHRAGM DISC 463/464 PUMP |
| 6 | 210221 | 1 | BEARING BALL 6407 |
| 7 | 210232 | 1 | BEARING BALL 6310 |
| 8 | 210243 | 1 | SEAL OIL 35 X 47 X 7 |
| 9 | 241404 | 1 | DOWTY SEAL 1/4" |
| 10 | 242374 | 1 | WASHER Ø10/Ø6X1 COPPER |
| 11 | 330072 | 1 | O-RING D53.5/D45.5X4 |
| 12 | 421072 | 1 | BOLT HEX 8.8 RAW M10X65 |
| 13 | 430312 | 1 | BOLT HEX 8.8 M12X60 |
| 14 | 430438 | 1 | BOLT HEX 8.8 DEL M12X65 |
| 15 | 450995 | 1 | BOLT ALLEN M8X30 DIN 912 RAW |
| 16 | 614628 | 1 | FOOT F. 46X PUMP, RED |
| 16 | 16410800 | 1 | PUMP BASE 463/464 BLACK |
| 17 | 11171900 | 1 | CONROD RING 364/464 MACHINED |
| 18 | 11172200 | 1 | PUMP HOUSE 464 MACHINED 5/4" BSP RED |
| 19 | 11172600 | 1 | FRONTPART 464 MACHINED 2" BSP RED |
| 20 | 11173000 | 1 | VALVE COVER.463/464 MACHINED RED |
| 21 | 14010400 | 1 | PLUG 1/4" BSP |
| 22 | 14120400 | 1 | BANJOBOLT M6 X 19 |
| 23 | 14120700 | 1 | COUNTERWEIGHT 364/464-1000 |
| 24 | 14137300 | 1 | CRANKSHAFT 364/464-5.5 1000 |
| 24 | 14137400 | 1 | CRANKSHAFT 364/464-6.5 1000 |
| 25 | 14137600 | 1 | CRANKSHAFT 364/464-10 |
| 25 | 14137700 | 1 | CRANKSHAFT 464-12 |
| 26 | 14137900 | 1 | CRANKSHAFT 364/464-5.5 GG 1000 |
| 26 | 14138000 | 1 | CRANKSHAFT 364/464-6.5 GG 1000 |
| 27 | 14138200 | 1 | CRANKSHAFT 364/464-10 GG |
| 27 | 14138300 | 1 | CRANKSHAFT 464-12 GG |
| 28 | 16383000 | 1 | GREASE NIPPLE PLATE 464 |
| 29 | 16390600 | 1 | BRACKET FOR RPM SENSOR |
| 30 | 24266600 | 1 | O-RING D 38,0 X 4,0 70SH.NITR |
| 31 | 24266800 | 1 | O-RING D 54,0 X 4,0 70SH.NITR |
| 32 | 28045503 | 1 | LOCTITE 262 .5ML (.017oz.) |
| 33 | 28163300 | 1 | GREASE NIPPLE H1 M6X1 DIN 7412 |
| 34 | 28163400 | 1 | CAP F. GREASENIPPLE YELLOW M6X1 |
| 35 | 28164600 | 1 | HARDI PUMP GREASE S3 V550L 1 |
| 36 | 32242200 | 1 | FITTING S67 5/4" KON. RG 2014 |
| 37 | 32242400 | 1 | FITTING S93 2" KON. RG 2014 |
| 38 | 33511600 | 1 | DIAPHRAGM PUMP 463/464 PUMP PUR |
| 39 | 33524000 | 1 | COVER PLASTIC 464 PUMP |
| 40 | 33527200 | 1 | GREASE SPLIT 364/464 |
| 41 | 39136200 | 1 | HALFPART 364/464-1000 |
| 42 | 43099200 | 1 | BOLT HEX SS M12 X 30 DIN933 A4 |
| 43 | 46134000 | 1 | NUT HEX M10x1 H=2.3 NV=14 ELZIN |
| 44 | 61097000 | 1 | BANJOTUBE SHORT 464 COMPL. |
| 45 | 61097100 | 1 | BANJOTUBE LONG 464 COMPL. |
| 46 | 72043600 | 1 | VALVE FOR 462/463 |
| 47 | 72993500 | 1 | PUMP 464-12-540, CM |
| 47 | 72993600 | 1 | PUMP 464-6.5 MED-2-1000 |
| 47 | 82168100 | 1 | PUMP 464-5.5 THROUGH SHAFT 1000RPM |
| 47 | 82168200 | 1 | PUMP 464-10 2" SUCT. 540RPM |
| 47 | 82168500 | 1 | PUMP 464-12 2" SUCT. 540 RPM |
| 47 | 82168700 | 1 | PUMP 464-12 540 OFFSET PORTS |
| 47 | 82168800 | 1 | PUMP 464 6.5 1000 OFFSET PORTS |



PUMP - 464 540/1000 RPM
A0350-HIN, 23:04:19

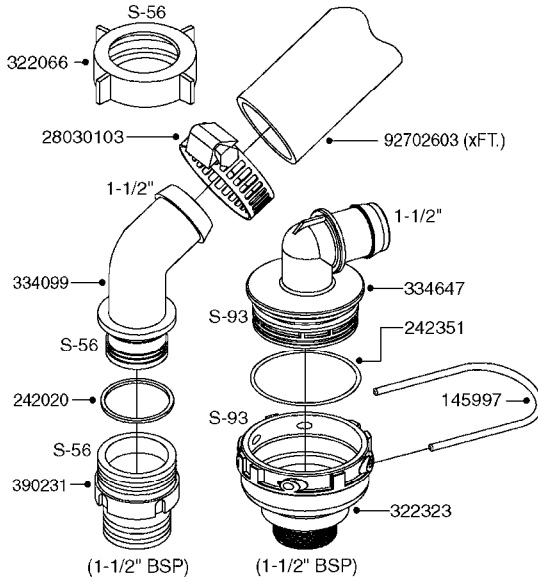
Page 2

Date 07.02.2020 10:03

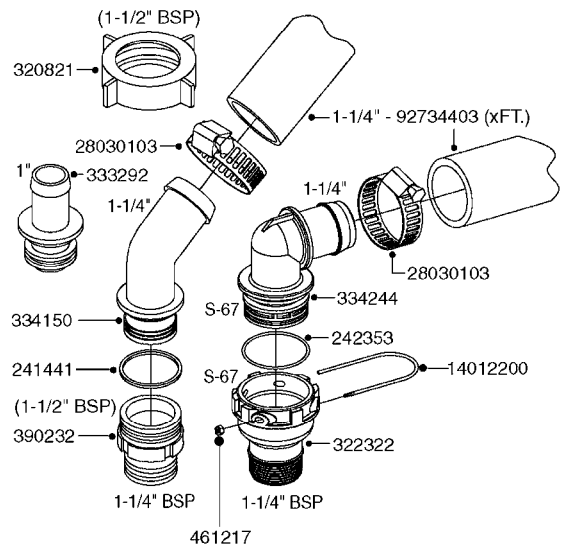
| Pos. | parts-n° | order qty | description |
|------|----------|-----------|----------------------------|
| 47 | 82169000 | 1 | PUMP 464-10-MOD-2-540 |
| 47 | 82169400 | 1 | PUMP 464-6.5-STD-2-1000 FK |
| 48 | 75586000 | 1 | PUMP KIT 464 |



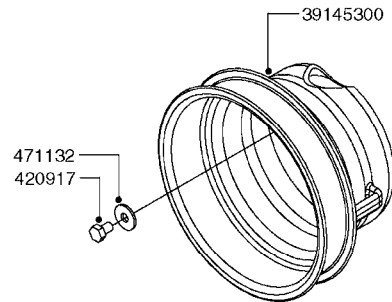
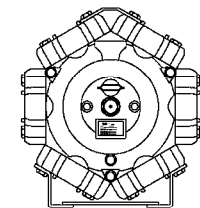
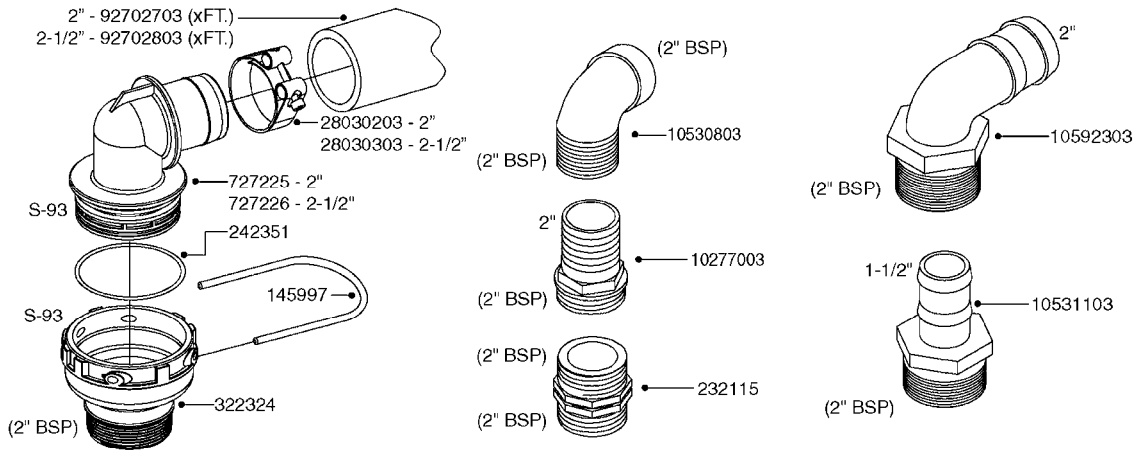
SUCTION SIDE OF PUMP (WITH 1-1/2" SUCTION PORT)



PRESSURE SIDE OF PUMP



SUCTION SIDE OF PUMP (WITH 2" SUCTION PORT)



COMPLETE PUMP
(NLA) REPLACED BY 464 PUMP (SEE PAGE A0350)

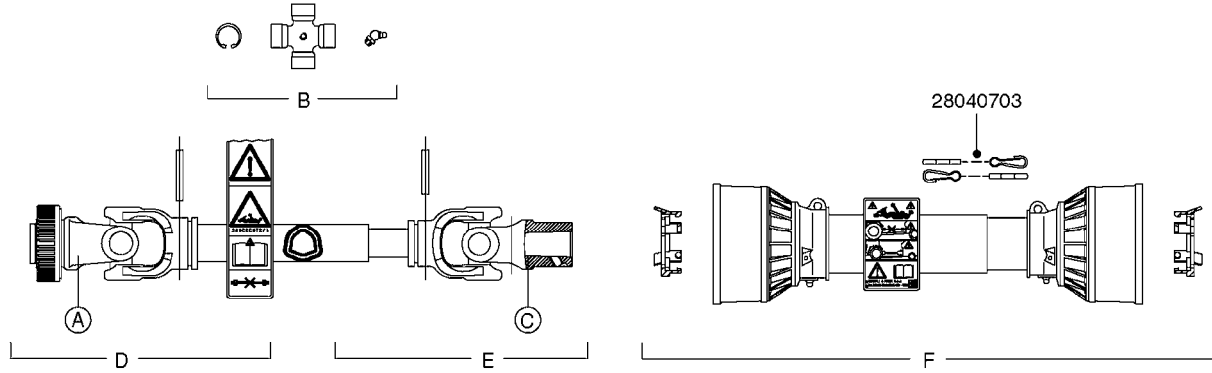
A0390



PUMP - 460/462/463 FITTINGS
A0390-HIN, 28:05:19

Page 1
Date 07.02.2020 10:03

| parts-n° | order qty | description |
|----------|-----------|----------------------------------|
| 145997 | 1 | FITT.DK S-93 FORK |
| 232115 | 1 | FITT HEX NIPPLE 2'-2' BSP |
| 241441 | 1 | O-RING D29.3X3 |
| 242020 | 1 | O-RING 39.2 X 3 VITON |
| 242351 | 1 | O-RING D69.5X3.0 VITON F.S-93 |
| 242353 | 1 | O-RING 3 X 44.2 VITON |
| 320821 | 1 | FITT.DK NUT 1-1/2" BSP |
| 322066 | 1 | FITT.DK S-56 NUT |
| 322322 | 1 | FITT.DK S-67 X 1-1/4"BSP MALE |
| 322323 | 1 | FITT.DK S-93 X 1-1/2"BSP MALE |
| 322324 | 1 | FITTING S93 FEMALE - BSP 2" MALE |
| 333292 | 1 | FITT.DK HB 1"O'RING F.1-1/2" |
| 334099 | 1 | FITT.DK S-61 ELB.1-1/2"110 DEG |
| 334150 | 1 | FITT.DK HB 1-1/4" 110 F.1-1/2" |
| 334244 | 1 | FITT.DK S-67 ELB.1-1/4" |
| 334647 | 1 | FITT.DK S93 ELB 1-1/2" 90 PVC |
| 390231 | 1 | FITT.DK NIPPLE 1-1/2 X S56 |
| 390232 | 1 | FITT.DK HN 1-1/2' X 1-1/4' BSP |
| 420917 | 1 | BOLT HEX 8.8 RAW M8X12 FT |
| 461217 | 1 | NUT HEX M5 LOCK |
| 471132 | 1 | WASHER D24/D8.4 X 2 SS |
| 727225 | 1 | FITT.DK S-93 ELB.2'PVC W/ORING |
| 727226 | 1 | FITT. S93 2-1/2" 90° S W/O-RING |
| 10277003 | 1 | FITT.PO.HB 2.00X2.00 MCPHEE |
| 10530803 | 1 | FITT.PO.SE 2.00X2.00 45 DEG. |
| 10531103 | 1 | FITT.PO.HB 2.00"NPT X 1.50"HOS |
| 10592303 | 1 | FITT.PO.HB 2.00X 2.00BSP 90DEG |
| 14012200 | 1 | FITT.DK S-67 FORK W/M5 THREADS |
| 28030103 | 1 | CLAMP HOSE GEAR P5/4-S1.5"6724 |
| 28030203 | 1 | CLAMP HOSE T-BOLT S2" 235-67 |
| 28030303 | 1 | CLAMP HOSE T-BOLT S2.5" 235-76 |
| 39145300 | 1 | PTO SHIELD Ø203 4-POLET MACHINED |
| 92702603 | 1 | HOSE PVC SUCT GRAY 1-1/2" |
| 92702703 | 1 | HOSE PVC SUCT GRAY 2" |
| 92702803 | 1 | HOSE PVC SUCT GRAY 2.5" |
| 92734403 | 1 | HOSE R X5/4" X200PSI WP X0012" |

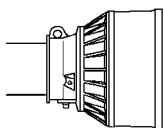


| PTO | TRACTOR | IMPLEMENT | LENGTH | A | B | C | D | E | F |
|------------|---------------------|---------------------|-----------|----------|----------|----------|----------|----------|----------|
| 28020203 † | 1-3/4" 20-SPLINE | 1-3/8" 21-SPLINE | 860/1313 | 28015703 | 28009403 | 28040603 | 28015803 | 28015903 | 28016003 |
| 28020303 † | 1-3/8" 21-SPLINE | 1-3/8" 21-SPLINE | 860/1328 | 28015103 | 28015203 | 28015303 | 28015403 | 28015503 | 28015603 |
| 829445 † | 1-3/8" 6-SPLINE | 1-3/8" 6-SPLINE | 810/1219 | 284041 | 289045 | 289041 | 28016703 | 28016803 | 289050 |
| 829446 | 1-3/8" 6-SPLINE | 1-3/8" 6-SPLINE | 810/1230 | 289040 | 284041 | 289040 | 28016203 | 28016303 | 289049 |
| 829480 | 1-3/8" 21-SPLINE | 1-3/8" 21-SPLINE | 1210/1912 | 28005200 | 289042 | 28005800 | 28006700 | 28007300 | 28008100 |
| 829482 * | 1-3/8" 6-SPLINE | Ø25 CONE 3 | 610/912 | 28005400 | 289042 | 28006000 | 28008500 | 28007500 | 28008600 |
| 829483 * | 1-3/8" 6-SPLINE | Ø30 CONE 4 | 610/912 | 28005400 | 289042 | 28006100 | 28008500 | - | 28008600 |
| 829484 * | 1-3/8" 6-SPLINE | 1-3/8" 6-SPLINE | 610/912 | 28005400 | 289042 | 28006200 | 28008500 | - | 28008600 |
| 829486 | 1-3/8" 6-SPLINE | Ø30 CONE 4 | 860/1328 | 28005400 | 289042 | 28006100 | 28006900 | - | 28008100 |
| 829487 * | 1-3/8" 6-SPLINE | 1-3/8" 6-SPLINE | 860/1328 | 28005400 | 289042 | 28006200 | 28006900 | - | 28008100 |
| 829490 | 1-3/8" 6-SPLINE | Ø30 CONE 4 | 1210/1912 | 28005400 | 289042 | 28006100 | 28006900 | - | 28008100 |
| 829491 | 1-3/8" 6-SPLINE | Ø1" | 610/912 | 28005400 | 289042 | 28006300 | 28008500 | 28007800 | 28008600 |
| 829502 * | 1-3/8" 6-SPLINE | 1-3/8" 6-SPLINE | 1210/1912 | 28068800 | 28069700 | 28073000 | - | - | 28072800 |

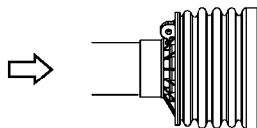
* Supplier changed in 2011 - see page A0580 for "AMA" PTO's (yellow and black shields).

† Changed in 2016 from 100 series to G-Series (see page A0600).

100 SERIES



G-SERIES

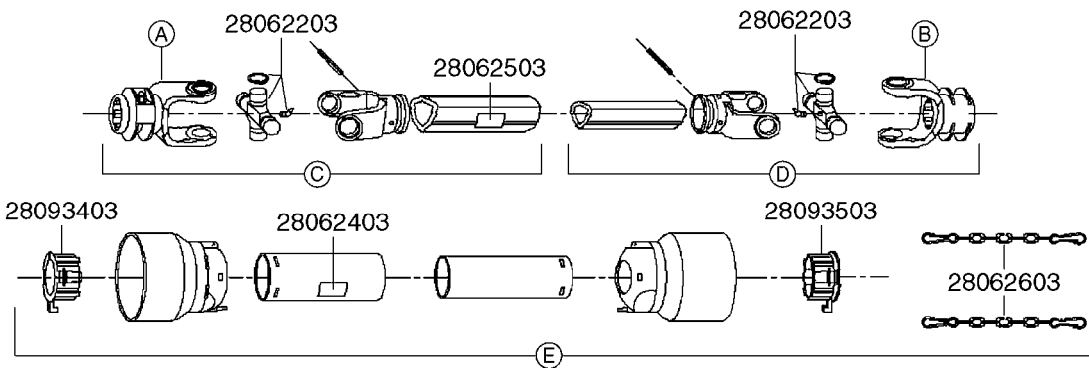


A0510



PTO SHAFTS - BONDIOLI DIAPH.
A0510-HIN, 23:10:18

| parts-n° | order qty | description |
|----------|-----------|--|
| 284041 | 1 | UNIV. JOINT 27x70mm |
| 289040 | 1 | PTO YOKE 1-3/8" X 6 SPLINE |
| 289041 | 1 | PTO YOKE 1-3/8" X 6 SPLINE |
| 289042 | 1 | UNIV. JOINT 22x54mm |
| 289045 | 1 | UNIV. JOINT 30.2x79.4mm |
| 289049 | 1 | PTO SHIELD COMPLETE F.829446 |
| 289050 | 1 | PTO SHIELD COMPLETE F.829445 |
| 829445 | 1 | PTO 1-3/8/6X1-3/8/6X810M AXIAL |
| 829446 | 1 | PTO SHAFT LE-SPV + LP ZE-P540 |
| 829480 | 1 | PTO 1-3/8/21 x 1-3/8/21x1210MM |
| 829482 | 1 | PTO 1-3/8/6X25MM X 600MM 1202 |
| 829483 | 1 | PTO 1-3/8/6X30MM x 610MM 1302 |
| 829484 | 1 | PTO 1-3/8/6X1-3/8/6X575MM 361 |
| 829486 | 1 | PTO 1-3/8/6X30MM X870MM 1302 |
| 829487 | 1 | PTO 1-3/8/6X1-3/8/6X870MM 361 |
| 829490 | 1 | PTO 1-3/8/6X30MM 1320MM 1302 |
| 829491 | 1 | PTO 1-3/8/6X1' 610/913MM 9016 |
| 829502 | 1 | PTO 1-3/8/6x1210/1745 |
| 28005200 | 1 | PTO YOKE 1-3/8" X 21 SPLINE |
| 28005400 | 1 | PTO YOKE 1-3/8" X 6 SPLINE |
| 28005800 | 1 | PTO YOKE 1-3/8" X 21 SPLINE |
| 28006000 | 1 | PTO YOKE D25 CONE 3 DEG. |
| 28006100 | 1 | PTO YOKE D30 CONE 4 DEG. |
| 28006200 | 1 | PTO YOKE 1-3/8" X 6 SPLINE |
| 28006300 | 1 | PTO YOKE D1" |
| 28006700 | 1 | PTO OUTER 1-3/8"X21(NO SHIELD) |
| 28006900 | 1 | PTO OUTER 1-3/8"X6(NO SHIELD) |
| 28007300 | 1 | PTO INNER 1-3/8"X21(NO SHIELD) |
| 28007500 | 1 | PTO HALF SHAFT - PUMP END |
| 28007800 | 1 | PTO INNER D1" (NO SHIELD) |
| 28008100 | 1 | PTO SHIELD COMPLETE |
| 28008500 | 1 | PTO HALF SHAFT - TRACTOR END |
| 28008600 | 1 | PTO SHIELD ASSY COMPLETE |
| 28009403 | 1 | UNIV. JOINT 27x74.6mm |
| 28015103 | 1 | PTO YOKE 1-3/8"X21 TWST OLD |
| 28015203 | 1 | UNIV. JOINT 23.8x61.3mm |
| 28015303 | 1 | PTO YOKE 1-3/8"X21 BALL COLLAR |
| 28015403 | 1 | PTO OUTER 1-3/8"X21(SHIELDED) |
| 28015503 | 1 | PTO INNER 1-3/8"X21(NO SHIELD) |
| 28015603 | 1 | PTO SHIELD COMPLETE F.28020303 |
| 28015703 | 1 | PTO YOKE 1-3/4"X20 SPL OUTER |
| 28015803 | 1 | PTO OUTER 1-3/4"X20(NO SHIELD) |
| 28015903 | 1 | PTO INNER 1-3/8"X21(NO SHIELD) |
| 28016003 | 1 | PTO SHIELD COMPLETE F.10465803 |
| 28016203 | 1 | PTO OUTER 1-3/8"X6(SHIELDED) |
| 28016303 | 1 | PTO INNER 1-3/8"X6(NO SHIELD) |
| 28016703 | 1 | PTO OUTER 1-3/8"X6(NO SHIELD) |
| 28016803 | 1 | PTO INNER 1-3/8"X6(NO SHIELD) |
| 28020203 | 1 | PTO 1-3/4/20x1-3/8/21 BP L=860 |
| 28020303 | 1 | PTO 1-3/8/21 x 1-3/8/21 B&P |
| 28040603 | 1 | PTO YOKE 1-3/8X21SPL BLACK |
| 28040703 | 1 | SAFETY CHAIN F.CV BLACK PTO (SET OF 2) |
| 28068800 | 1 | PTO YOKE 1-3/8" X 6 SPLINE |
| 28069700 | 1 | UNIV. JOINT STD1 SFT |
| 28072800 | 1 | PTO SHIELD COMPLETE L=1912 SFT |
| 28073000 | 1 | PTO YOKE 1-3/8" X 6 SPLINE |



| PTO # | 829482 | 829483 | 829484 | 829487 |
|-----------|-----------------|-----------------|-----------------|-----------------|
| TRACTOR | 1-3/8" 6 SPLINE | 1-3/8" 6 SPLINE | 1-3/8" 6 SPLINE | 1-3/8" 6 SPLINE |
| IMPLEMENT | 25 mm | 30 mm | 1-3/8" 6 SPLINE | 1-3/8" 6 SPLINE |
| LENGTH | 610/800 | 610/800 | 610/800 | 860/1050 |
| A | 28062103 | 28062103 | 28062103 | 28062103 |
| B | 28062303 | 28063003 | 28062103 | 28062103 |
| C | 28062703 | 28062703 | 28062703 | 28063403 |
| D | 28062803 | 28063103 | 28063203 | 28063503 |
| E | 28062903 | 28062903 | 28062903 | 28063303 |

Note: For "Bondioli" PTO's (previous supplier) - see page A0510.

COMPLETE ASSEMBLIES
WHOLEGOOD ITEMS

A0580

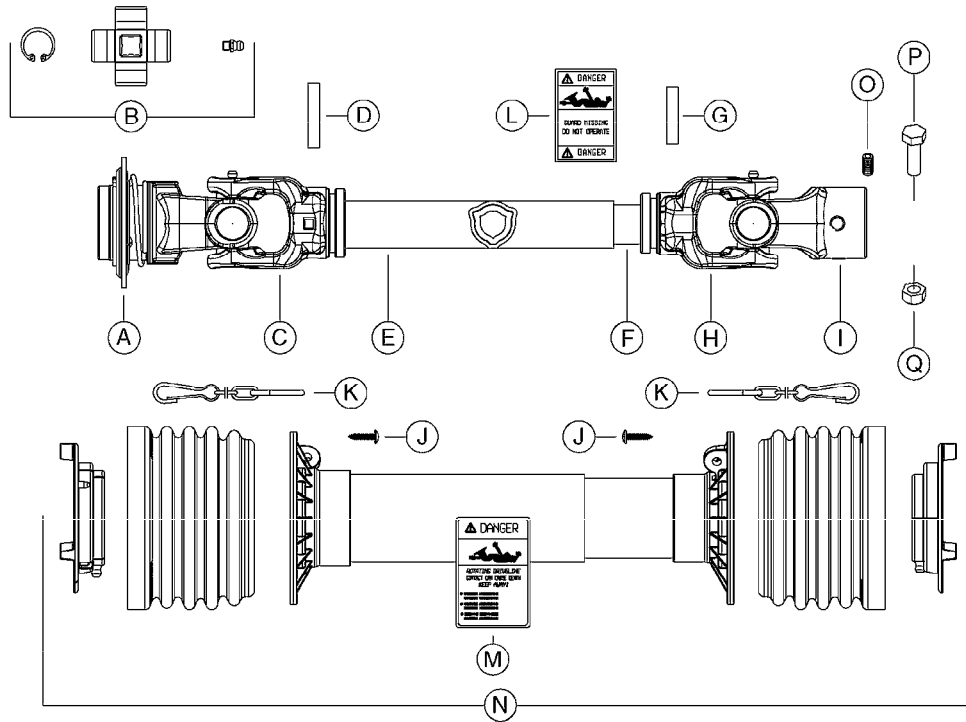


PTO SHAFTS - AMA DIAPHRAGM
A0580-HIN, 01:01:16

Page 1

Date 07.02.2020 10:03

| parts-n° | order qty | description |
|----------|-----------|-------------------------------|
| 829482 | 1 | PTO 1-3/8/6X25MM X 600MM 1202 |
| 829483 | 1 | PTO 1-3/8/6X30MM x 610MM 1302 |
| 829484 | 1 | PTO 1-3/8/6X1-3/8/6X575MM 361 |
| 829487 | 1 | PTO 1-3/8/6X1-3/8/6X870MM 361 |
| 28062103 | 1 | PTO YOKE 1-3/8X6 AMA |
| 28062203 | 1 | UNIV.JOINT CAT.1 AMA |
| 28062303 | 1 | PTO YOKE D25 AMA |
| 28062403 | 1 | DECAL - DANGER ROTATING SHAFT |
| 28062503 | 1 | DECAL - DANGER MISSING GUARD |
| 28062603 | 1 | SAFETY CHAIN F.PTO AMA |
| 28062703 | 1 | PTO OUTER 1-3/8X6 (NO SHIELD) |
| 28062803 | 1 | PTO INNER D25 (NO SHIELD) |
| 28062903 | 1 | PTO SHIELD COMPLETE |
| 28063003 | 1 | PTO YOKE D30 AMA |
| 28063103 | 1 | PTO INNER D30 (NO SHIELD) |
| 28063203 | 1 | PTO INNER 1-3/8X6 (NO SHIELD) |
| 28063303 | 1 | PTO SHIELD COMPLETE |
| 28063403 | 1 | PTO OUTER 1-3/8X6 (NO SHIELD) |
| 28063503 | 1 | PTO INNER 1-3/8X6 (NO SHIELD) |
| 28093403 | 1 | PTO OUTER TUBE BEARING AMA |
| 28093503 | 1 | PTO INNER TUBE BEARING AMA |



| PTO # | 829445 | 28020203 | 28020303 | 28021403 | 28021503 |
|-----------|-----------------|------------------|------------------|-----------------|------------------|
| TRACTOR | 1-3/8" 6 SPLINE | 1-3/4" 20 SPLINE | 1-3/8" 21 SPLINE | 1-3/8" 6 SPLINE | 1-3/8" 21 SPLINE |
| IMPLEMENT | 1-3/8" 6 SPLINE | 1-3/8" 21 SPLINE | 1-3/8" 21 SPLINE | D1" | D1" |
| LENGTH | 1034/1219 | 1087/1313 | 1058/1324 | 1031/1329 | 1031/1329 |
| A | 289041 | 28015703 | 28015303 | 28056703 | 28056803 |
| B | 28042803 | 28040503 | 28100303 | 28100203 | 28100203 |
| C | 28098703 | 28075103 | 28098503 | 28057003 | 28057003 |
| D | 28100103 | 28009803 | 28009903 | 28057203 | 28057703 |
| E | 28099603 | 28057403 | 28099103 | 28057303 | 28057303 |
| F | 28099403 | 28057603 | 28099003 | 28057503 | 28057303 |
| G | 28099903 | 28009903 | 28057203 | 28057703 | 28057703 |
| H | 28098803 | 28010103 | 28098603 | 28058503 | 28058503 |
| I | 289041 | 28010203 | 28015303 | 28057803 | 28057803 |
| J | 28040903 | 28040903 | 28040903 | 28040903 | 28040903 |
| K | 28040703 | 28040703 | 28040703 | 28040703 | 28040703 |
| L | 28041803 | 28041803 | 28041803 | 28041803 | 28041803 |
| M | 28041903 | 28041903 | 28041903 | 28041903 | 28041903 |
| N | 28101003 | 28100903 | 28100803 | 28100703 | 28100703 |
| O | - | - | - | 450015 | 450015 |
| P | - | - | - | 421024 | 421024 |
| Q | - | - | - | 460143 | 460143 |

FOR PRE-2016 100 SERIES PTO PARTS
SEE PAGES A0510, A0520, A0560, A0570

COMPLETE ASSEMBLIES
WHOLEGOODS ITEMS

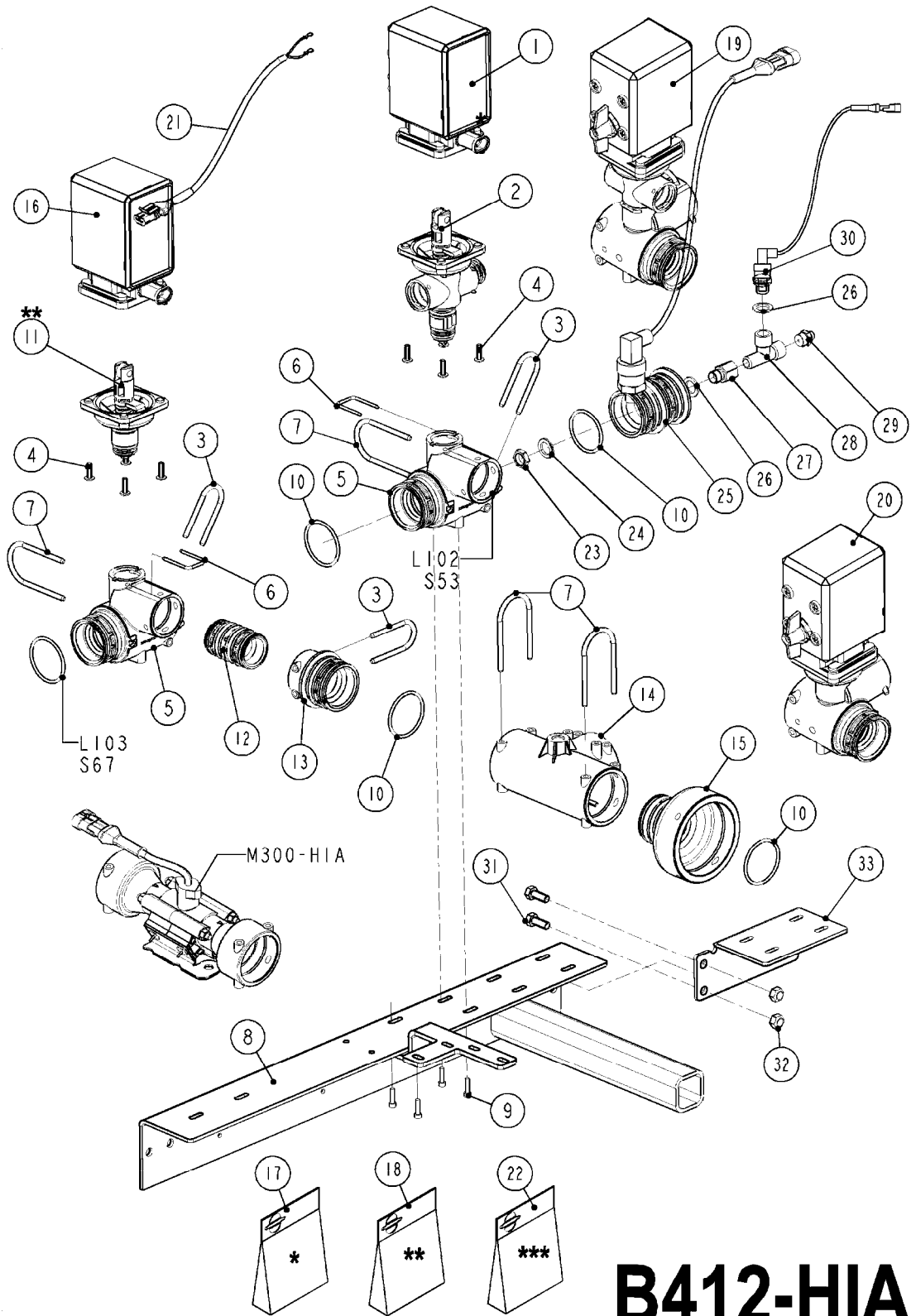
A0600



PTO SHAFTS - BONDIOLI G-SERIES
A0600-HIN, 23:10:18

Page 1
Date 07.02.2020 10:03

| parts-n° | order qty | description |
|----------|-----------|--|
| 289041 | 1 | PTO YOKE 1-3/8" X 6 SPLINE |
| 421024 | 1 | BOLT HEX 8.8 DEL M8X60 |
| 450015 | 1 | SCREW ALLAN 3/8'X5/8' BLACK |
| 460143 | 1 | SELF LOCK NUT M8 SST A2 DIN985 |
| 829445 | 1 | PTO 1-3/8/6X1-3/8/6X810M AXIAL |
| 28009803 | 1 | PTO PIN TUBE RETAINER OUTER |
| 28009903 | 1 | PTO TUBE RETAINER INNER |
| 28010103 | 1 | PTO YOKE F.INNER TUBE CV PTO |
| 28010203 | 1 | PTO YOKE 1-3/8X21SPL |
| 28015303 | 1 | PTO YOKE 1-3/8"X21 BALL COLLAR |
| 28015703 | 1 | PTO YOKE 1-3/4"X20 SPL OUTER |
| 28020203 | 1 | PTO 1-3/4/20x1-3/8/21 BP L=860 |
| 28020303 | 1 | PTO 1-3/8/21 x 1-3/8/21 B&P |
| 28021403 | 1 | PTO 1"STR/1-3/8" 6SPL B&P |
| 28021503 | 1 | PTO 1"STR/1-3/8" 21SPL B&P |
| 28040503 | 1 | UNIV. JOINT 27x74.6mm |
| 28040703 | 1 | SAFETY CHAIN F.CV BLACK PTO (SET OF 2) |
| 28040903 | 1 | SELF TAPPING SHIELDING SCREW |
| 28041803 | 1 | DECAL DANGER GUARD MISSING |
| 28041903 | 1 | DECAL DANGER ROT.DRIVELINE |
| 28042803 | 1 | UNIV. JOINT 30.2x79.4mm F/BLK. |
| 28056703 | 1 | PTO YOKE #1 1-3/8" X 6 SPLINE |
| 28056803 | 1 | PTO YOKE #1 1-3/8" X 21 SPLINE |
| 28057003 | 1 | PTO TUBE YOKE #1-G1 OUTER |
| 28057203 | 1 | PTO PIN TUBE RETAINER OUTER |
| 28057303 | 1 | PTO TUBE OUTER #1 745MM |
| 28057403 | 1 | PTO TUBE OUTER #4 720MM |
| 28057503 | 1 | PTO TUBE INNER #1 745MM |
| 28057603 | 1 | PTO TUBE INNER #4 720MM |
| 28057703 | 1 | PTO TUBE RETAINER INNER |
| 28057803 | 1 | PTO TUBE YOKE #1 Ø=1" |
| 28058503 | 1 | PTO TUBE YOKE #1-G1 INNER |
| 28075103 | 1 | TRACK 249" X 18" (45-1801) |
| 28098503 | 1 | PTO TUBE YOKE #2-G2 OUTER |
| 28098603 | 1 | PTO TUBE YOKE #2-G2 INNER |
| 28098703 | 1 | PTO TUBE YOKE OUTER |
| 28098803 | 1 | PTO TUBE YOKE INNER |
| 28099003 | 1 | PTO TUBE INNER #2 735MM |
| 28099103 | 1 | PTO TUBE OUTER #2 735MM |
| 28099403 | 1 | PTO TUBE INNER 660MM |
| 28099603 | 1 | PTO TUBE OUTER 660MM |
| 28099903 | 1 | ROLL PIN |
| 28100103 | 1 | ROLL PIN |
| 28100203 | 1 | UNIV. JOINT S1-G1 22X54MM |
| 28100303 | 1 | UNIV. JOINT S2-G2 23.8X61.3MM |
| 28100703 | 1 | PTO SHIELD COMPLETE BLACK |
| 28100803 | 1 | PTO SHIELD COMPLETE |
| 28100903 | 1 | PTO SHIELD COMPLETE |
| 28101003 | 1 | PTO SHIELD COMPLETE |



B412-HIA



DISTRIBUTOR EFC DIVIDED (05)
B412-HIA, 27:04:16

Page 1

Date 07.02.2020 10:03

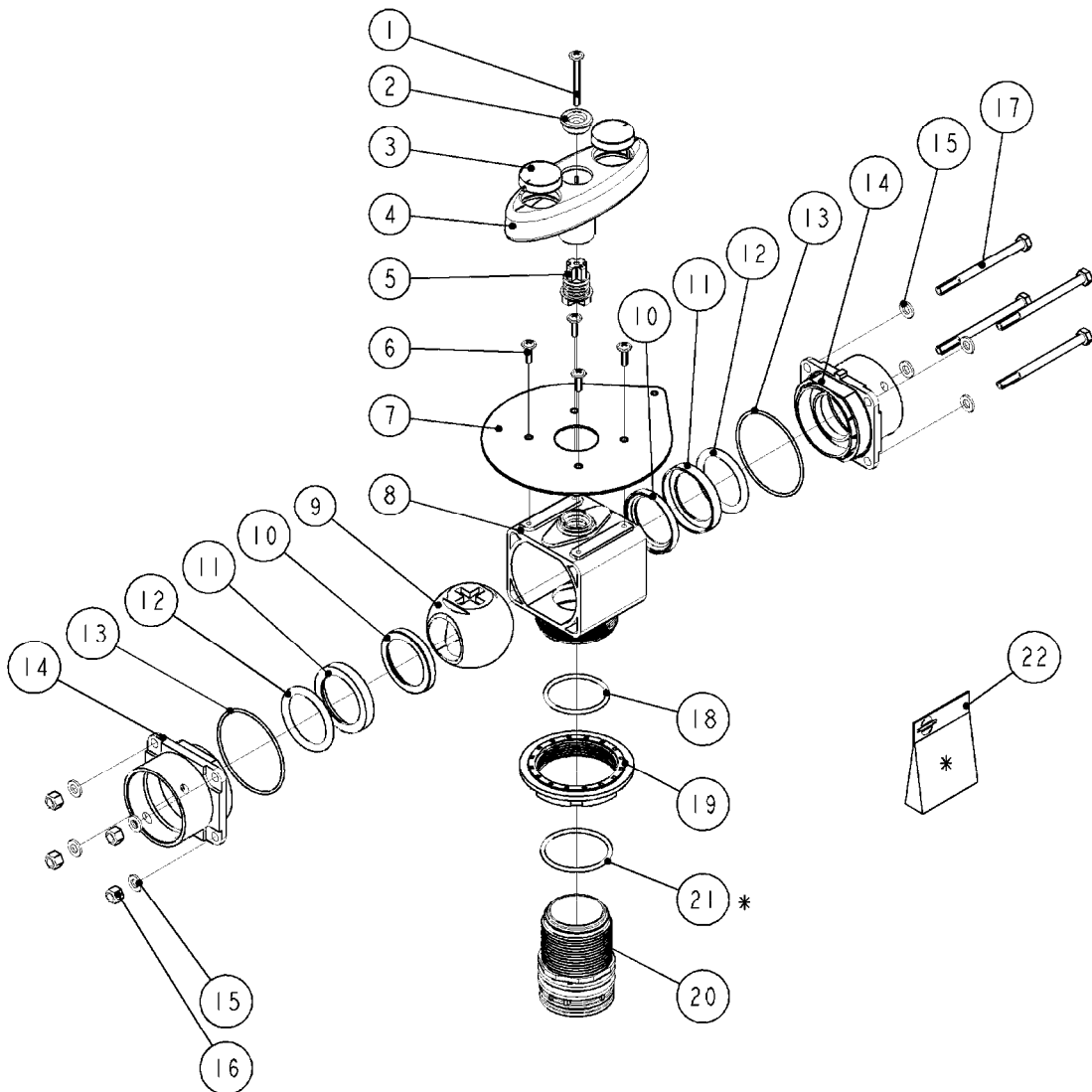
| Pos. | parts-n° | order qty | description |
|------|----------|-----------|--|
| 1 | 72087800 | 1 | MOTOR HOUSING DIST 1:300 |
| 2 | 72591700 | 1 | SPINDLE SECT.W/O CONS.PRESSURE |
| 3 | 145995 | 1 | FITT.DK S-53 FORK |
| 4 | 440675 | 1 | SCREW F. PLASTIC 5X16 SS |
| 5 | 33502400 | 1 | DISTRIBUTION HOUSING EFC |
| 6 | 270211 | 1 | FITT.DK S25 FORK L=37.5 |
| 7 | 145996 | 1 | FITT.DK S-67 FORK |
| 8 | 61032800 | 1 | BRACKET F. EFC SEC.VALVES <4>6 |
| 9 | 450902 | 1 | BOLT ALLEN HEAD M4 X 16MM |
| 10 | 241973 | 1 | O-RING Ø3 X 44.2 70 SHORES NITRIL |
| 10 | 242353 | 1 | O-RING 3 X 44.2 VITON |
| 11 | 72267200 | 1 | SPINDLE, BYPASS VALVE NCM |
| 12 | 72114300 | 1 | FITT. DK S-53 MALE MALE W.ORIN |
| 13 | 334564 | 1 | FITT.DK S-67 TO S-53 ADAPTER |
| 14 | 322224 | 1 | FITT.DK S-67 TEE |
| 15 | 33500700 | 1 | FITT.DK ADAPTER S-93F S67M |
| 16 | 72087800 | 1 | MOTOR HOUSING DIST 1:300 |
| 17 | 741822 | 1 | SEAL KIT - 1 SECTION (05) |
| 18 | 755726 | 1 | O-RING KIT F.EC/ESC SEC.VALVE |
| 19 | 72233700 | 1 | SECTION VALVE, EFC, 1:300 |
| 20 | 72284000 | 1 | BYPASS VALVE, EFC, 1:300 |
| 21 | 73124300 | 1 | CABLE AMP SS 2P 2.8 SPADE L=600mm |
| 22 | 74196100 | 1 | BAG OF 10 PCS. 241973 O-RINGS |
| 23 | 141341 | 1 | NUT 1/4' BSP |
| 24 | 145631 | 1 | WASHER D21.5/D13.5X2.5 BRASS |
| 25 | 391135 | 1 | FITT. S67 PLUG W/13.2Ø HOLE |
| 26 | 241404 | 1 | DOWTY SEAL 1/4" |
| 27 | 14076900 | 1 | NIPPLE 1/4" I-1/4" U L=28.5 SS |
| 28 | 232285 | 1 | T-PIECE 1/4" 2 X INT. 1 |
| 29 | 232230 | 1 | QUICK COUPLER 1/4"BSP X 4 MM |
| 30 | 72565100 | 1 | Pressure Trans. 0-10Bar 4-20mA L=1000mm CM05 and CM11 |
| 30 | 72555000 | 1 | PRES.TRANSDUCER FOR REG NAV 07 |
| 31 | 420582 | 1 | BOLT HEX 8.8 DEL M8X20 FT A2 |
| 32 | 460143 | 1 | SELF LOCK NUT M8 SST A2 DIN985 |
| 33 | 16137500 | 1 | BRACKET F. EFC SEC.VALVES +2 |



VALVE 3-WAY Ø33 MANUAL S67
B415-HIA, 06:06:17

Page 0

Date 07.02.2020 10:03



B415-HIA

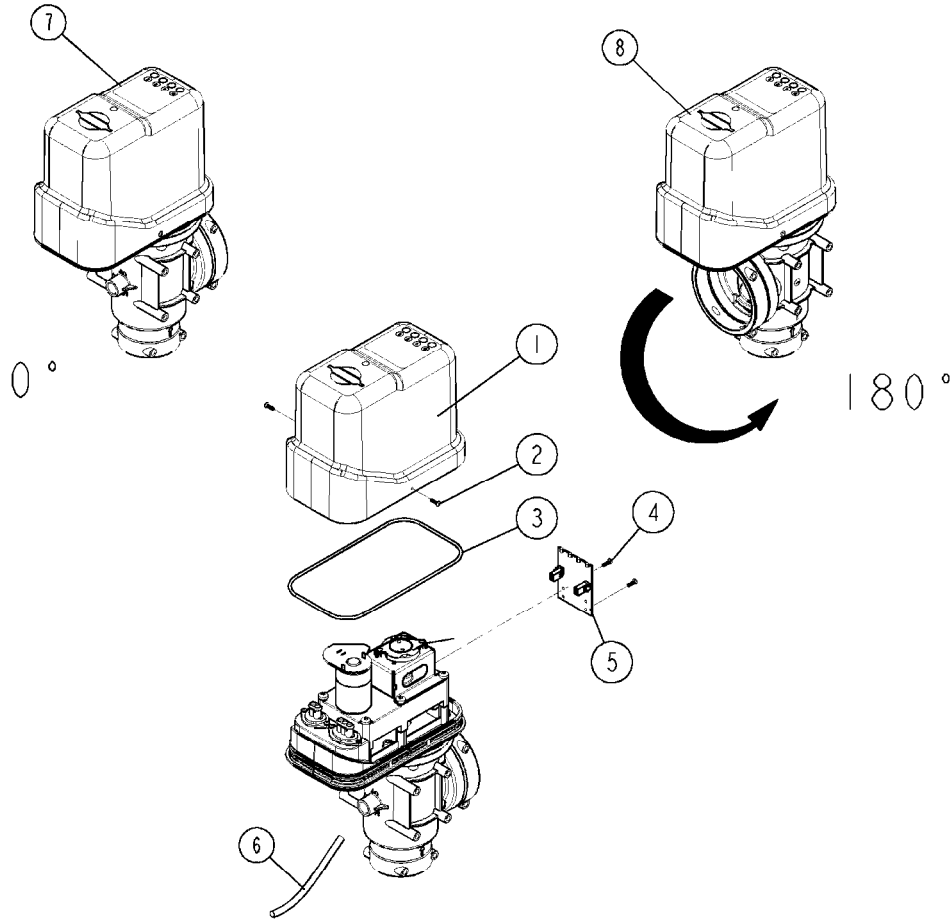


VALVE 3-WAY Ø33 MANUAL S67
B415-HIA, 06:06:17

Page 1

Date 07.02.2020 10:03

| Pos. | parts-n° | order qty | description |
|------|----------|-----------|-----------------------------------|
| 1 | 440729 | 1 | SCREW F. PLASTIC 4MM X40LG SS |
| 2 | 334594 | 1 | PLUG F.VALVE HANDLE BLACK |
| 3 | 33514500 | 1 | PLUG FOR HANDLE ,2 ICONS |
| 4 | 33514400 | 1 | HANDLE FOR 2 ICONS 07 |
| 5 | 334600 | 1 | SPINDLE F.3 WAY VALVE |
| 6 | 440681 | 1 | SCREW F. PLASTIC 4MM X 14LG SS |
| 7 | 16227500 | 1 | PLATE Ø130X1.5, 6 HOLES |
| 8 | 390623 | 1 | HOUSING F.3 WAY VALVE |
| 9 | 390204 | 1 | BALL F. 3 WAY SUCTION VALVE |
| 10 | 390635 | 1 | PACKING RING F. Ø33 93 |
| 11 | 158988 | 1 | SUPPORTING RING STAINLESS |
| 12 | 242113 | 1 | O-RING D37.5X5.3 VITON |
| 13 | 242046 | 1 | O-RING D60X2 |
| 14 | 334497 | 1 | END COVER 3 WAY VALVE S-67 |
| 15 | 471125 | 1 | WASHER M6U 6.4X14X1.2,A2 SS |
| 16 | 460261 | 1 | NUT HEX M6X1.00 LOCK DIN985 A2 SS |
| 17 | 410605 | 1 | BOLT HEX 8.8 DEL M6X80 |
| 18 | 241883 | 1 | O-RING 3 X 39.2 NITRIL |
| 19 | 322320 | 1 | NUT F.3 WAY VALVE S56 |
| 20 | 322325 | 1 | FITT.DK S-67 X 1-1/2"BSP LONG |
| 21 | 242353 | 1 | O-RING 3 X 44.2 VITON |
| 21 | 241673 | 1 | O-RING D22.1X1.6 |
| 22 | 74196100 | 1 | BAG OF 10 PCS. 241973 O-RINGS |



DF4 valve with Syntal

| DF4 | 0° Navigator | 180° Mega |
|----------|-----------------|--------------|
| New | 72772100 | 72824100 |
| Defect | 73267100 | 73267200 |
| Exchange | 73266700 | 73266800 |

DF4 valve with Ceramic

| DF4 | 0° Alpha | 180° CMI |
|----------|-------------|-------------|
| New | 72909800 | 72772000 |
| Defect | 73267000 | 73266900 |
| Exchange | 73266600 | 73266500 |

B429-HIA

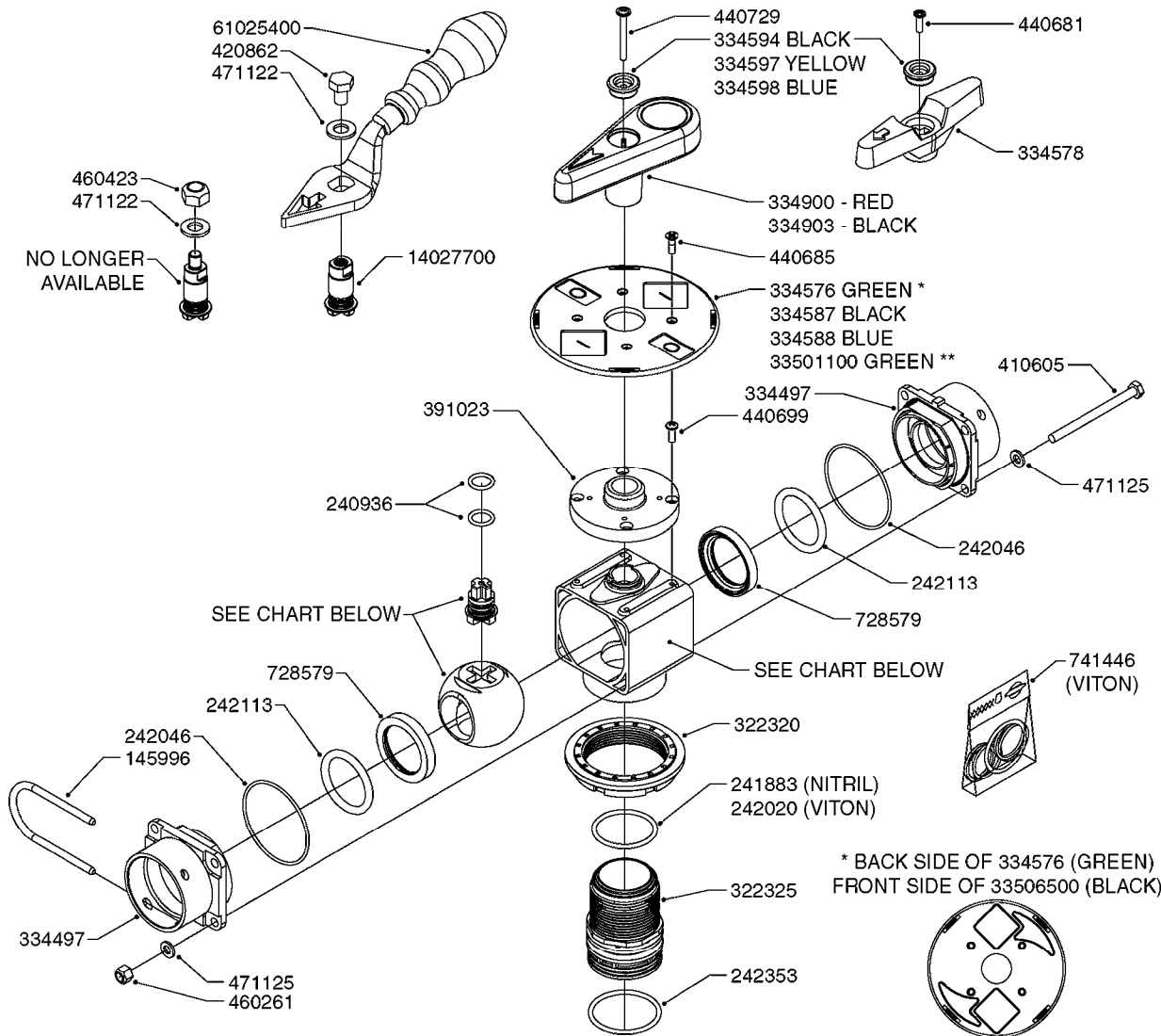


DF4 VALVE SYNTAL/CERAMIC
B429-HIA, 25:08:16

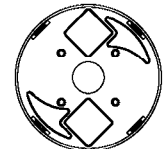
Page 1

Date 07.02.2020 10:03

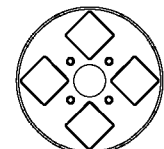
| Pos. | parts-n° | order qty | description |
|------|----------|-----------|---|
| 1 | 33521000 | 1 | REG.MOTOR COVER CERAMIC 2011 |
| 2 | 44075500 | 1 | SCREW 25X10 WIN5451/TORX |
| 3 | 24264300 | 1 | O-RING Ø 148.0 X 3 SH70 VITON |
| 4 | 44075800 | 1 | SCREW F. PLASTIC TX 2.9X13 SS |
| 5 | 26038800 | 1 | REG. VALVE PCB ASSY. |
| 6 | 25197400 | 1 | PE-HOSE Ø8/6 BLACK L = 0.6M |
| 7 | 72772100 | 1 | PRESS. REG. DF4 - SYNTAL 0° Navigator |
| 7 | 72909800 | 1 | PRESS. REG. DF4 CERAMIC 0° Alpha |
| 7 | 73266700 | 1 | PRESS REG DF4 -SYNTAL 0°_EXCHANGE |
| 7 | 73266600 | 1 | PRESS REG DF4 -CERAMIC 0°_EXCHANGE |
| 7 | 73267100 | 1 | PRESS REG DF4 SYNTAL 0°_DEFECT |
| 7 | 73267000 | 1 | PRESS REG DF4 CERAMIC 0°_DEFECT |
| 8 | 72772000 | 1 | PRESS. REG. DF4 - CERAMIC 180° Commander11 |
| 8 | 72824100 | 1 | PRESS. REG. DF4 - SYNTAL - 180° |
| 8 | 73266800 | 1 | PRESS REG DF4 SYNTAL 180°_EXCHANGE |
| 8 | 73266500 | 1 | PRESS REG DF4 -CERAMIC 180°_EXCHANGE |
| 8 | 73267200 | 1 | PRESS REG DF4 SYNTAL 180°_DEFECT |
| 8 | 73266900 | 1 | PRESS REG DF4 COMM 180°_DEFECT |



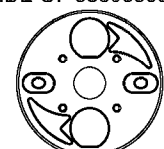
* BACK SIDE OF 334576 (GREEN)
FRONT SIDE OF 33506500 (BLACK)



** BACK SIDE OF 33501100



BACK SIDE OF 33506500 (BLACK)



| | | | | | | |
|----------|--------|----------|--------|--------|--------|----------|
| | | | | | - | |
| 728391 | 334594 | 334576 | 390204 | 390623 | - | 334600 |
| 728393 | 334598 | 334588 | 390238 | 390251 | - | 334600 |
| 728945 | 334597 | - | 390262 | 390777 | - | 334600 |
| 729796 | 334594 | 334587 | 390204 | 390623 | - | 334600 |
| 840062 | 334594 | 334576 | 391180 | 390623 | - | 334600 |
| 841062 | 334594 | 334576 | 390204 | 390623 | - | 334600 |
| 72113700 | 334594 | 334576 | 391180 | 390623 | - | 334600 |
| 72172100 | - | 33501100 | 391039 | 390623 | 391023 | 14027700 |
| 72172200 | - | - | 391039 | 390623 | - | 334600 |
| 72283600 | 334594 | 33506500 | 391180 | 390623 | 391023 | 334600 |
| 72292500 | - | - | 391180 | 390623 | - | 14027700 |
| 72538000 | - | - | 391039 | 390623 | 391023 | 14075700 |
| 72691600 | 334594 | 334587 | 390262 | 390623 | - | 334600 |

B0430



MANIFOLD - S67 VALVE
B0430-HIN, 12:09:19

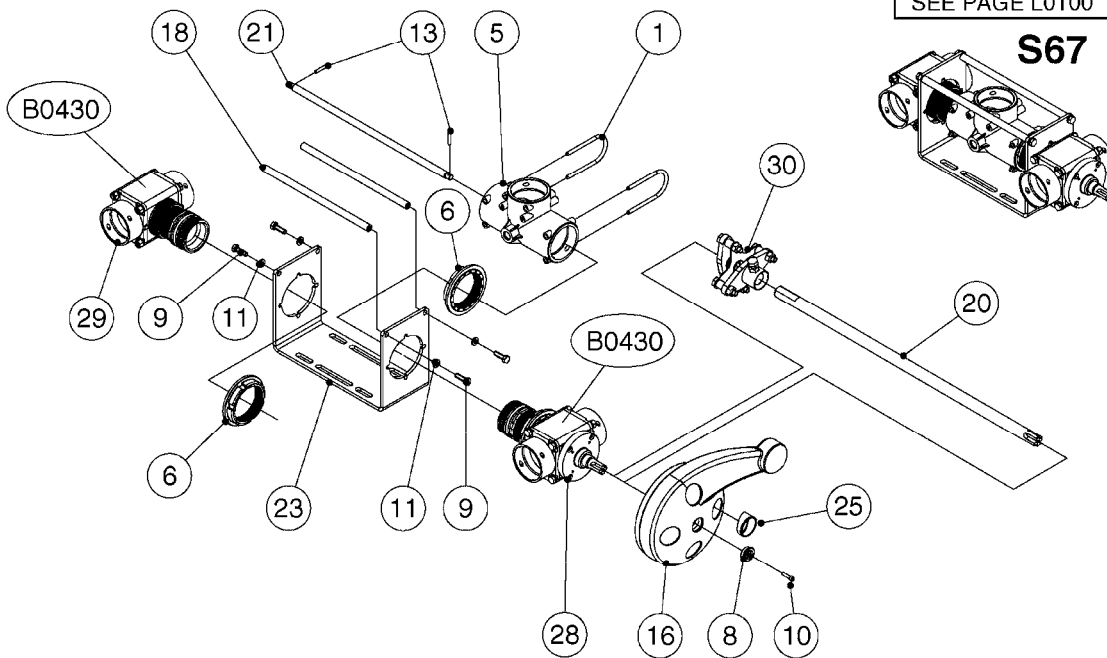
Page 1
Date 07.02.2020 10:03

| parts-n° | order qty | description |
|----------|-----------|-----------------------------------|
| 145996 | 1 | FITT.DK S-67 FORK |
| 240936 | 1 | O-RING D13.3X2.4 NITRIL |
| 241883 | 1 | O-RING 3 X 39.2 NITRIL |
| 242020 | 1 | O-RING 39.2 X 3 VITON |
| 242046 | 1 | O-RING D60X2 |
| 242113 | 1 | O-RING D37.5X5.3 VITON |
| 242353 | 1 | O-RING 3 X 44.2 VITON |
| 322320 | 1 | NUT F.3 WAY VALVE S56 |
| 322325 | 1 | FITT.DK S-67 X 1-1/2"BSP LONG |
| 334497 | 1 | END COVER 3 WAY VALVE S-67 |
| 334576 | 1 | FACE PLATE F. BALL VALVE GREEN |
| 334578 | 1 | HANDLE FOR VALVE 'OLD' STYLE |
| 334587 | 1 | FACE PLATE F.BALL VALVE BLACK |
| 334588 | 1 | FACE PLATE F. BALL VALVE BLUE |
| 334594 | 1 | PLUG F.VALVE HANDLE BLACK |
| 334597 | 1 | PLUG F.VALVE HANDLE YELLOW |
| 334598 | 1 | PLUG F.VALVE HANDLE BLUE |
| 334600 | 1 | SPINDLE F.3 WAY VALVE |
| 334900 | 1 | HANDLE F.3 WAY VALVE TALL '00 |
| 334903 | 1 | HANDLE S67/93 VALVE BLACK |
| 390204 | 1 | BALL F. 3 WAY SUCTION VALVE |
| 390238 | 1 | BALL F. 3 WAY PRESSURE VALVE |
| 390251 | 1 | MOTOR HOUSING F. 3-WAY VALVE |
| 390262 | 1 | BALL F. 2 WAY VALVE |
| 390623 | 1 | HOUSING F.3 WAY VALVE |
| 390777 | 1 | HOUSING F.BALL VALVE 3 WAY |
| 391023 | 1 | SMART VALVE MOUNTING BRACKET |
| 391039 | 1 | BALL F. S67 SMART VALVE |
| 391180 | 1 | BALL F. AGITATOR S67 ARE 268 |
| 410605 | 1 | BOLT HEX 8.8 DEL M6X80 |
| 420862 | 1 | BOLT HEX 8.8 DEL M10X16 FT |
| 440681 | 1 | SCREW F. PLASTIC 4MM X 14LG SS |
| 440685 | 1 | SCREW F.PLASTIC 4X14 SS C-SUNK |
| 440699 | 1 | SCREW F. PLASTIC 4MMM X12LG SS |
| 440729 | 1 | SCREW F. PLASTIC 4MM X40LG SS |
| 460261 | 1 | NUT HEX M6X1.00 LOCK DIN985 A2 SS |
| 460423 | 1 | NUT HEX M10X1.50 LOCK DIN985A2 SS |
| 471122 | 1 | WASHER, M10, Ø20/10.5X 2.0, SS |
| 471125 | 1 | WASHER M6U 6.4X14X1.2,A2 SS |
| 728391 | 1 | VALVE S67 PRESSURE MANIFOLD |
| 728393 | 1 | VALVE 3 WAY F.AGITAT.SHUTOFF |
| 728579 | 1 | SEAL F BALL |
| 728945 | 1 | VALVE 2-WAY YELLOW W.S-67 ENDS |
| 729796 | 1 | VALVE S-67 MANUAL D33 J-D |
| 741446 | 1 | REPAIR KIT F.S67 VALVE - VITON |
| 840062 | 1 | VALVE S67 PRESSURE AGITATION |
| 841062 | 1 | VALVE KIT S67 PRESS. MANIFOLD |
| 14027700 | 1 | SPINDLE F.SMART VALVE S67 L=36 |
| 14075700 | 1 | SPINDLE F.SMART VALVE S67 L=81 |
| 33501100 | 1 | FACE PLATE F.SMART VALVE GREEN |
| 33506500 | 1 | FACE PLATE F.BALL VALVE BLACK |
| 61025400 | 1 | HANDLE SMART VALVE |
| 72113700 | 1 | VALVE, VARIABLE AGITATION |
| 72172100 | 1 | VALVE S67 "V1" SMART VALVE |
| 72172200 | 1 | VALVE S67 "V2" SMART VALVE |
| 72283600 | 1 | VALVE S67 AGITATION NCM |
| 72292500 | 1 | VALVE S67 SMART VALVE NEW NAV |
| 72538000 | 1 | VALVE S67, LONG SPINDLE |
| 72691600 | 1 | VALVE, S67, 2-WAY F. FILLER |



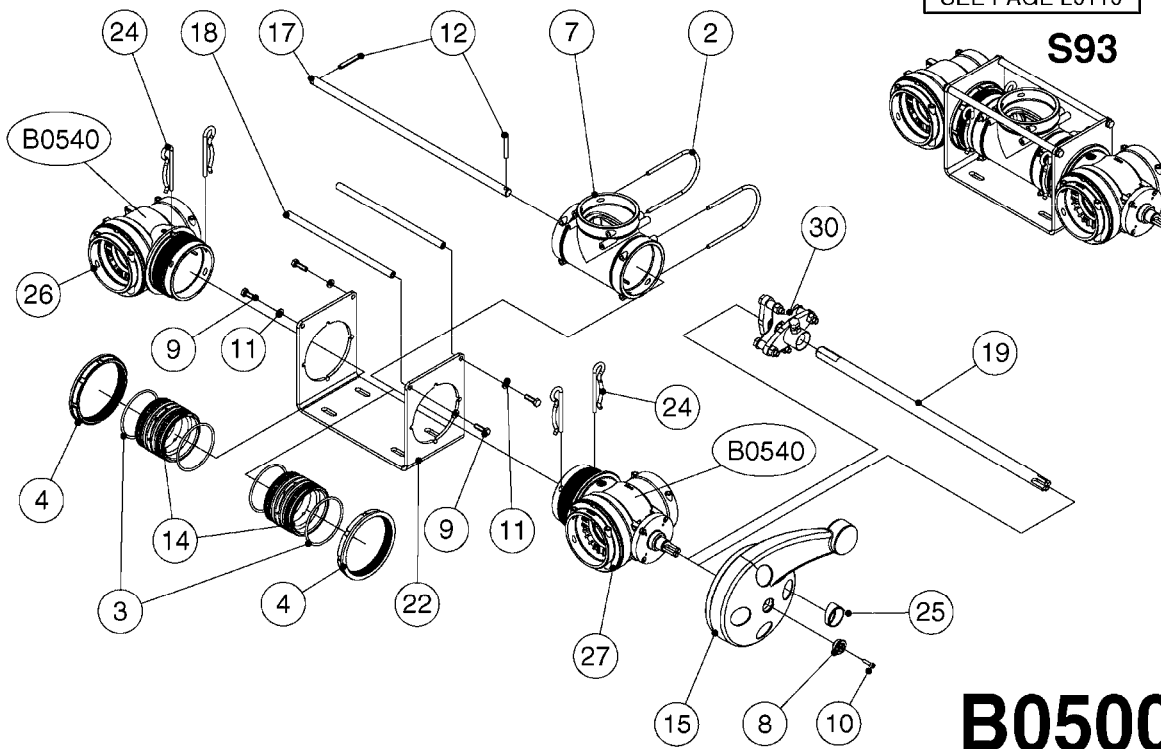
FOR S67 FITTINGS
SEE PAGE L0100

S67



FOR S93 FITTINGS
SEE PAGE L0110

S93



B0500



SMART VALVE S67 S93 (07)
B0500-HIN, 28:01:19

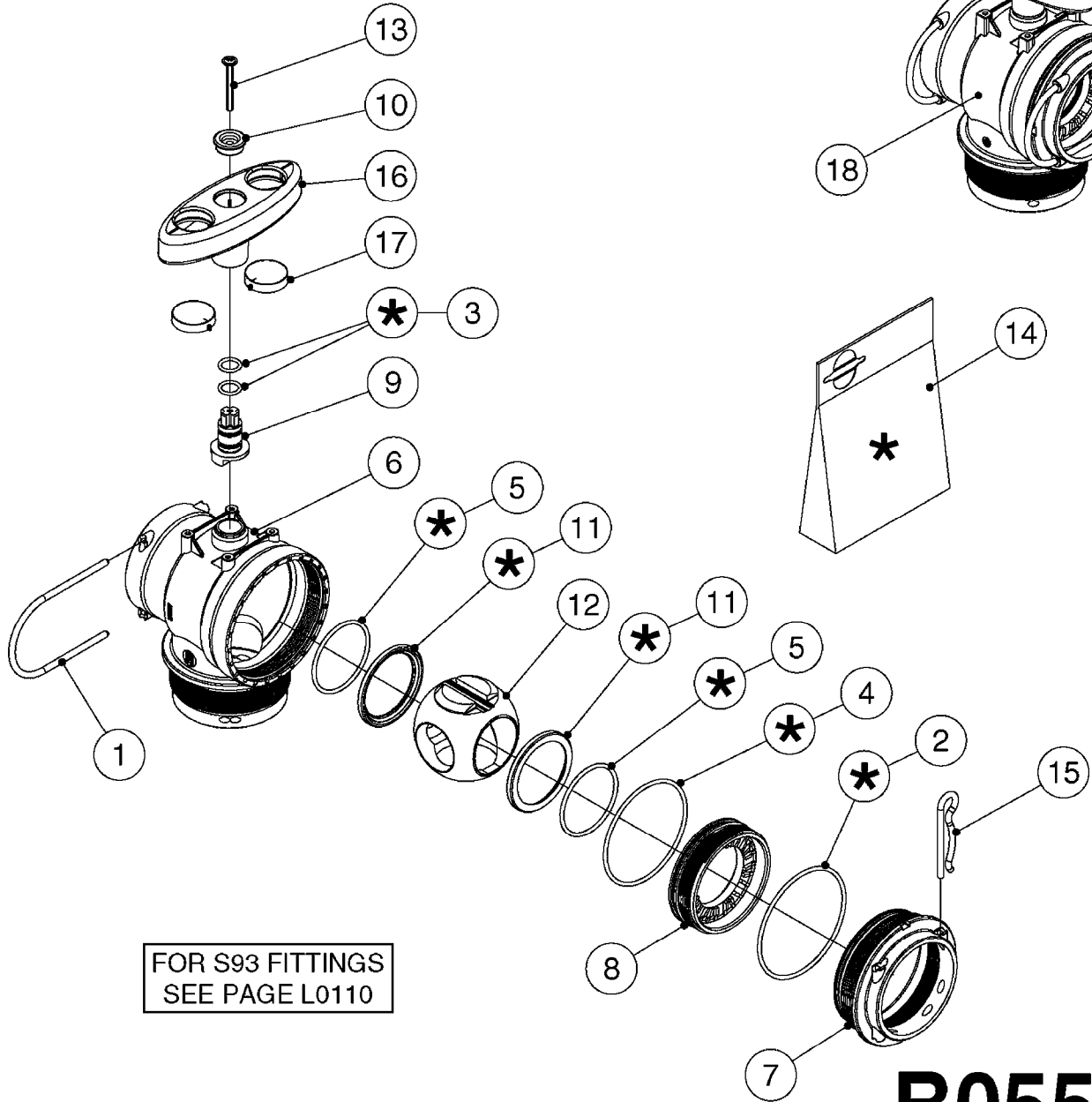
Page 1

Date 07.02.2020 10:03

| Pos. | parts-n° | order qty | description |
|------|----------|-----------|---|
| 1 | 145996 | 1 | FITT.DK S-67 FORK |
| 2 | 145997 | 1 | FITT.DK S-93 FORK |
| 3 | 242351 | 1 | O-RING D69.5X3.0 VITON F.S-93 |
| 4 | 322109 | 1 | FITT.DK S-93 BULKHEAD NUT |
| 5 | 322224 | 1 | FITT.DK S-67 TEE |
| 6 | 322320 | 1 | NUT F.3 WAY VALVE S56 |
| 7 | 334545 | 1 | FITT.DK S-93 TEE |
| 8 | 334594 | 1 | PLUG F.VALVE HANDLE BLACK |
| 9 | 410362 | 1 | BOLT HEX 8.8 SS M6X20 |
| 10 | 410922 | 1 | CYL.SKR 8.8 DEL M4X20 RST |
| 10 | 450902 | 1 | BOLT ALLEN HEAD M4 X 16MM |
| 11 | 471125 | 1 | WASHER M6U 6.4X14X1.2,A2 SS |
| 12 | 480733 | 1 | PIN D6 X 40 |
| 13 | 480803 | 1 | PIN Ø4 X 25 |
| 14 | 728525 | 1 | FITT. S93 CONNECTOR W/O-RINGS |
| 15 | 741844 | 1 | VALVE HANDLE ASSY. SUCTION NCM |
| 16 | 741845 | 1 | VALVE HANDLE ASSY. PRESSUR NCM |
| 17 | 14021500 | 1 | SPINDLE F.S93 SMART VALVE |
| 18 | 14022700 | 1 | SPACER TUBE Ø10 L=212 SS |
| 19 | 14038100 | 1 | AXLE FOR SUCTION VALVE HANDLE |
| 20 | 14038200 | 1 | AXLE FOR PRESSURE VALVE HANDLE |
| 21 | 14068700 | 1 | SPINDLE,SMART VALVE S67 10MM |
| 22 | 16059900 | 1 | BRACKET 2 STK S93 SMART VALVE |
| 23 | 16082300 | 1 | BRACKET 2PCS S67 VALVE 15 BAR |
| 24 | 28168400 | 1 | HAIRPIN Ø5 S67/S93 |
| 25 | 33505200 | 1 | PLUG FOR SMART VALVE HANDLE |
| 26 | 72138000 | 1 | VALVE S93 "V2" SMART VALVE |
| 27 | 72138600 | 1 | VALVE S93 "V3" SMART VALVE |
| 28 | 72172100 | 1 | VALVE S67 "V1" SMART VALVE |
| 28 | 72538000 | 1 | NCM 4400/6600 VALVE S67, LONG SPINDLE NAV 3000/4000 |
| 29 | 72172200 | 1 | VALVE S67 "V2" SMART VALVE |
| 30 | 72283000 | 1 | AXLE JOINT F. SMARTVALVE HANDL |



S93 (07)



FOR S93 FITTINGS
SEE PAGE L0110

B0550

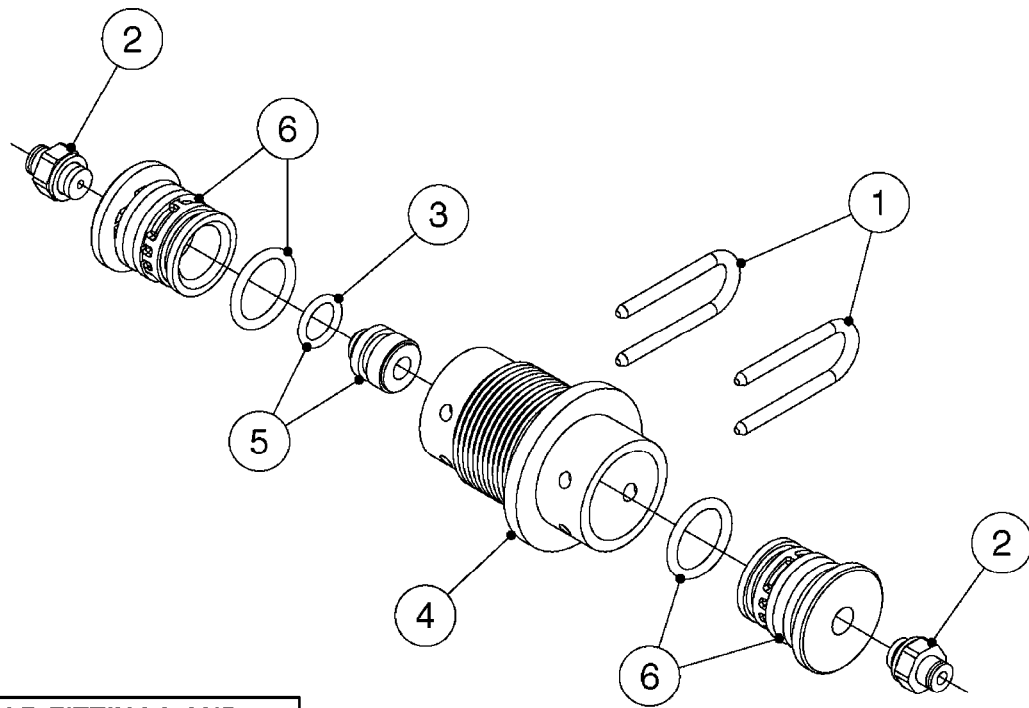
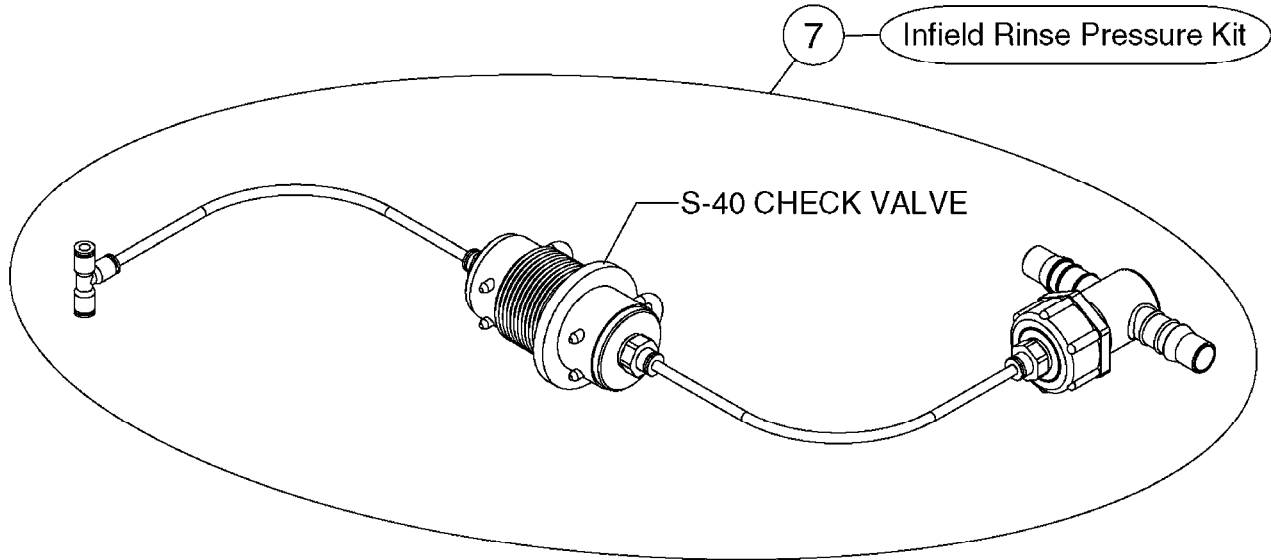


MANIFOLD - S93 VALVE (07)
B0550-HIN, 28:01:19

Page 1

Date 07.02.2020 10:03

| Pos. | parts-n° | order qty | description |
|------|----------|-----------|--------------------------------|
| 1 | 145997 | 1 | FITT.DK S-93 FORK |
| 2 | 242047 | 1 | O-RING 89.5 X 3.0 VITON |
| 3 | 242449 | 1 | O'RING 13.3 x 2.4 VITON |
| 4 | 242450 | 1 | O-RING D84.5X3.0 VITON |
| 5 | 242475 | 1 | O'RING D56.52x5.33 SH70-VITON |
| 6 | 322327 | 1 | HOUSING, VALVE, S93, 220 PSI |
| 7 | 322328 | 1 | END CAP F. VALVE S-93 |
| 8 | 322354 | 1 | THRUST PLATE F.3-WAY VALVES-93 |
| 9 | 334579 | 1 | SPINDLE F.3 WAY VALVE S-93 |
| 10 | 334594 | 1 | PLUG F. VALVE HANDLE BLACK |
| 11 | 390543 | 1 | SEAT F. BALL 3-WAY VALVE S-93 |
| 12 | 390544 | 1 | BALL FOR S93 VALVE, 3 HOLES |
| 12 | 391019 | 1 | BALL F.2 WAY S93 SMART VALVE |
| 13 | 440729 | 1 | SCREW F. PLASTIC 4MM X40LG SS |
| 14 | 741726 | 1 | REPAIR KIT F.S93 VALVE VIT.'02 |
| 15 | 28168400 | 1 | HAIRPIN Ø5 S67/S93 |
| 16 | 33514400 | 1 | HANDLE FOR 2 ICONS 07 |
| 17 | 33514500 | 1 | PLUG FOR HANDLE ,2 ICONS |
| 18 | 72518800 | 1 | QUICK FILL VALVE 2008 NAV |
| 18 | 72518900 | 1 | SUCTION VALVE 2008 NAV |



FOR FITTINGS AND
HOSES, SEE SECTION L

B0610

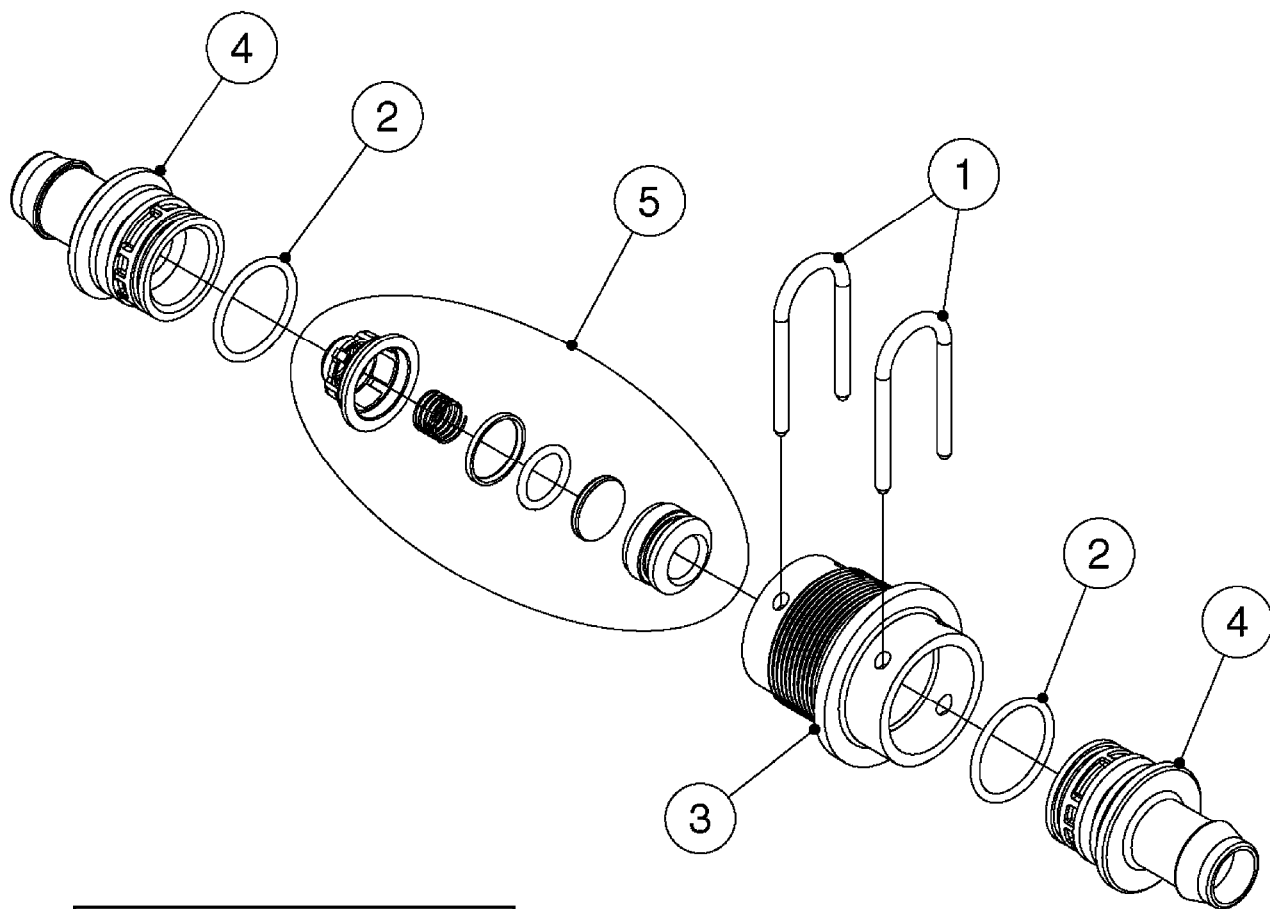


CHECK VALVES - S40
B0610-HIN, 04:01:18

Page 1

Date 07.02.2020 10:03

| Pos. | parts-n° | order qty | description |
|------|----------|-----------|--------------------------------|
| 1 | 145994 | 1 | FITT.DK S-40 FORK |
| 2 | 231346 | 1 | QUICK COUPLER 1/8"BSP X 4 MM |
| 3 | 241905 | 1 | O-RING 12,3X2,4 VITON DKR.1,05 |
| 4 | 322102 | 1 | FITT.DK S-40 BULKHEAD |
| 5 | 615522 | 1 | CHECK VALVE F.FOAM MARKER |
| 6 | 726693 | 1 | FITT.DK S-40 PLUG 1/8BSP ORING |
| 7 | 70036203 | 1 | RINSE PRESSURE KIT |



FOR FITTINGS AND
HOSES, SEE SECTION L

B0620

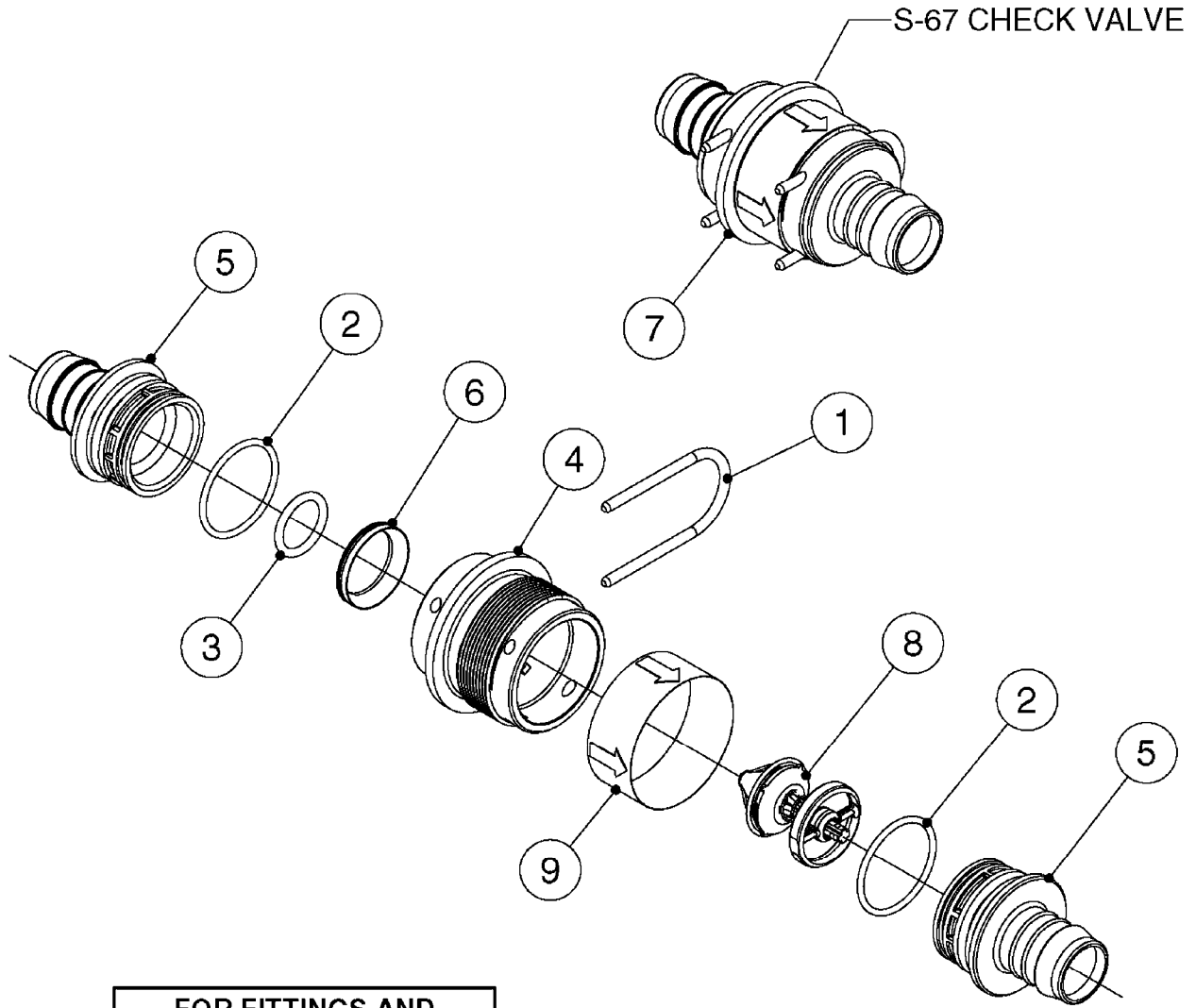


CHECK VALVES - S53
B0620-HIN, 01:01:16

Page 1

Date 07.02.2020 10:03

| Pos. | parts-n° | order qty | description |
|------|----------|-----------|-----------------------------|
| 1 | 145995 | 1 | FITT.DK S-53 FORK |
| 2 | 242354 | 1 | O-RING D32.2X3.0 VITON |
| 3 | 322103 | 1 | FITT.DK S-53 BULKHEAD |
| 4 | 334230 | 1 | FITT.DK S-53 STR.1" |
| 5 | 72132600 | 1 | CHECK VALVE SUBASSEMBLY S53 |



FOR FITTINGS AND
HOSES, SEE SECTION L

B0630

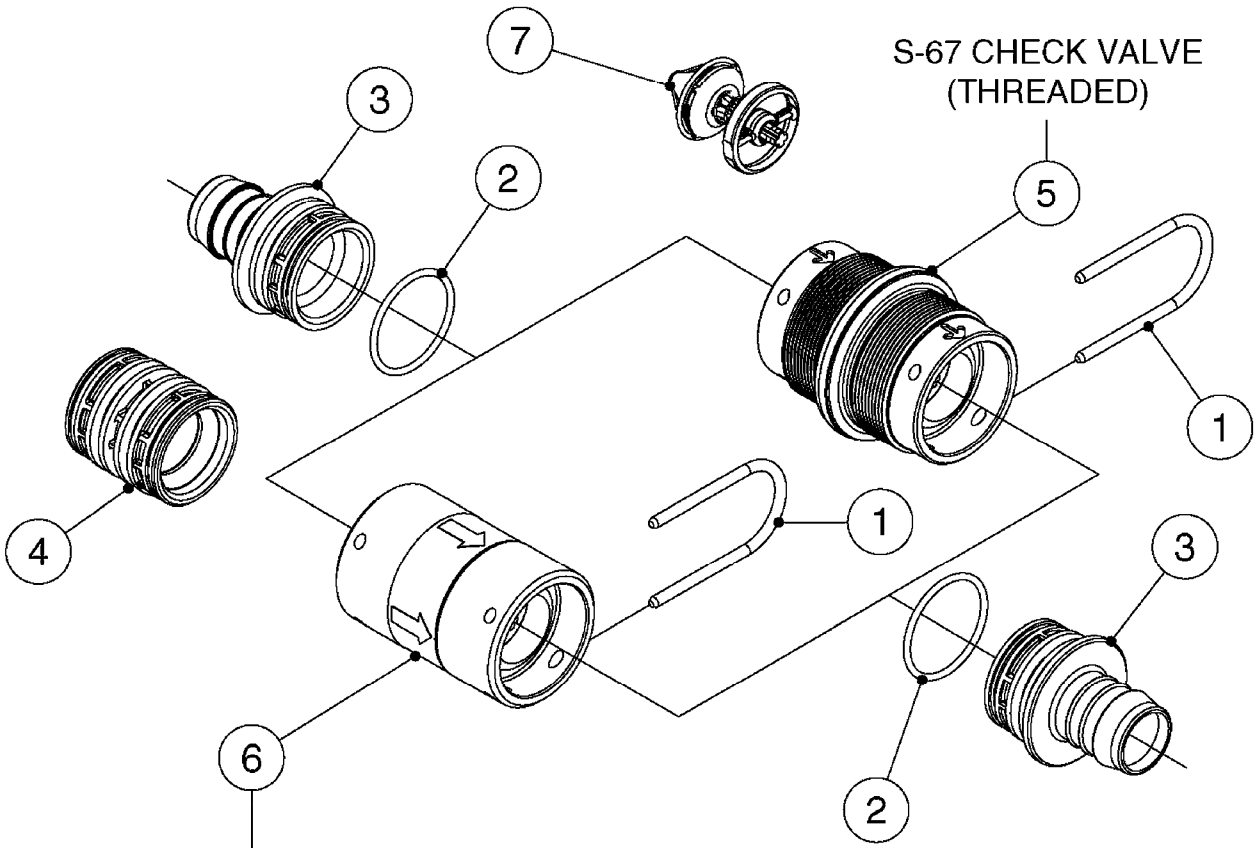


CHECK VALVES - S67
B0630-HIN, 31:07:19

Page 1

Date 07.02.2020 10:03

| Pos. | parts-n° | order qty | description |
|------|----------|-----------|--|
| 1 | 145996 | 1 | FITT.DK S-67 FORK |
| 2 | 241973 | 1 | O-RING Ø3 X 44.2 70 SHORES NITRIL |
| 2 | 242353 | 1 | O-RING 3 X 44.2 VITON |
| 3 | 242504 | 1 | O-RING D35x2 NITRIL |
| 4 | 322104 | 1 | FITT.DK S-67 BULKHEAD |
| 5 | 334231 | 1 | FITT.DK S-67 STR.1" |
| 5 | 334232 | 1 | FITT.DK S-67 STR.1-1/4" |
| 5 | 334444 | 1 | FITT.DK S-67 STR.1-1/2" PVC |
| 6 | 14103100 | 1 | SEAT F.CHECK VALVE D40.8 2010 |
| 7 | 70063603 | 1 | VALVE, CHECK S67 1-1/2" |
| | | | COMPLETE IN-LINE CHECK VALVE FOR 1-1/2" HOSE |
| 7 | 72001803 | 1 | CHCK VLV,S67, 2 X 1" HB |
| | | | COMPLETE IN-LINE CHECK VALVE FOR 1" HOSE |
| 7 | 72206600 | 1 | CHCK VLV,S67, 2 X 1.25" HB |
| | | | COMPLETE IN-LINE CHECK VALVE FOR 1-1/4" HOSE |
| 8 | 72089900 | 1 | CHECK VALVE S67 SUBASMBLY.2001 |
| 9 | 97800500 | 1 | DECAL 230X28 BLACK ARROW |



S-67 CHECK VALVE
(NON-THREADED)

S-67 CHECK VALVE
(THREADED)

FOR FITTINGS AND
HOSES, SEE SECTION L

B0640

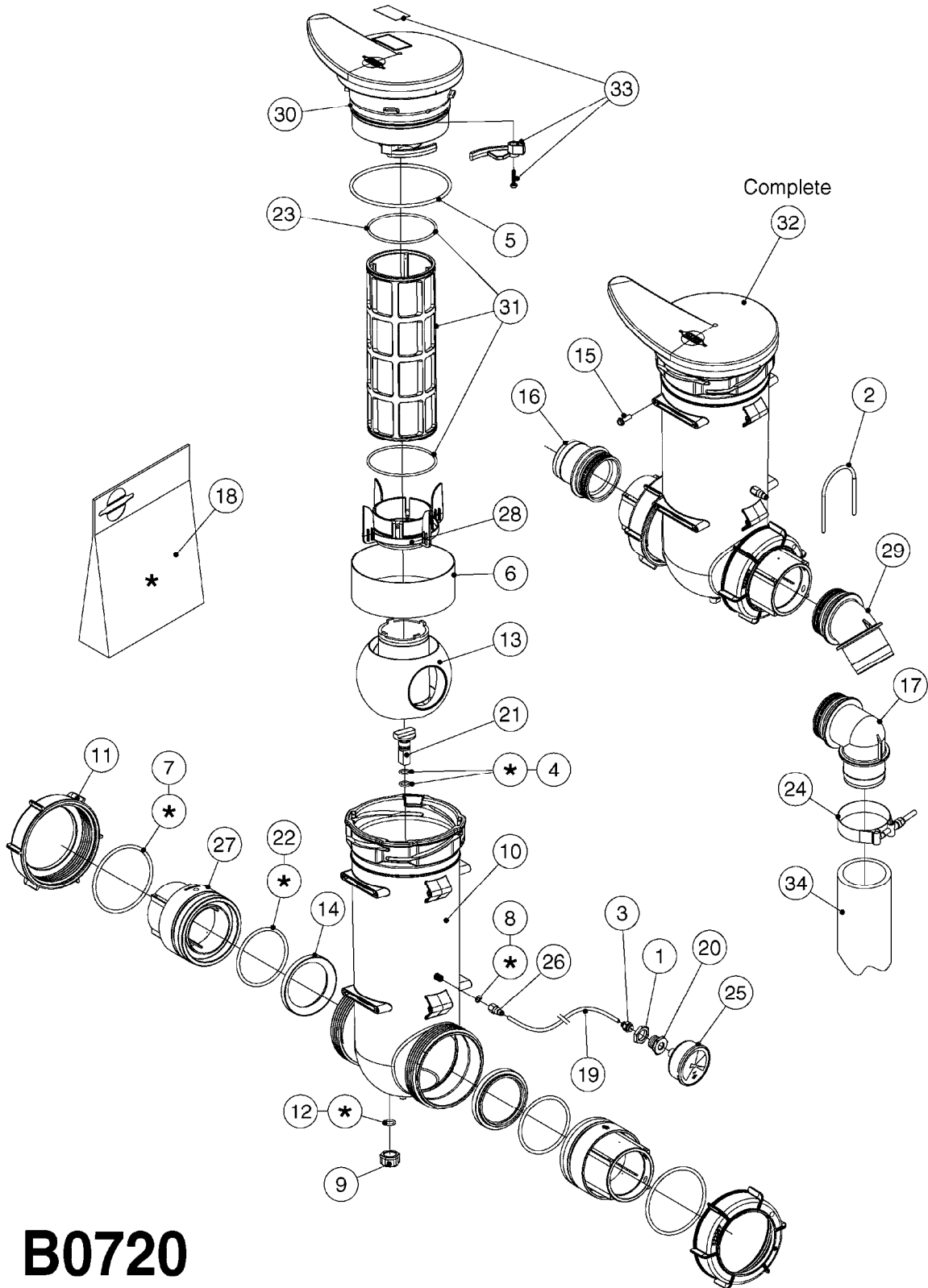


CHECK VALVES - S67 (2011)
B0640-HIN, 15:10:19

Page 1

Date 07.02.2020 10:03

| Pos. | parts-n° | order qty | description |
|------|----------|-----------|---|
| 1 | 145996 | 1 | FITT.DK S-67 FORK |
| 2 | 242353 | 1 | O-RING 3 X 44.2 VITON |
| 3 | 334231 | 1 | FITT.DK S-67 STR.1" |
| 3 | 334232 | 1 | FITT.DK S-67 STR.1-1/4" |
| 4 | 72432400 | 1 | FITT.DK S-67 CONNEC W.CHK SEAT |
| 5 | 72819200 | 1 | CHECK VALVE S67 2012 THREADED |
| 6 | 72819300 | 1 | CHECK VALVE S67 2012 NO THREAD |
| 7 | 72878800 | 1 | CHECK VALVE S67 SUBASSEMBLY 2013 INCLUDED WITH #5 & #6 |



B0720

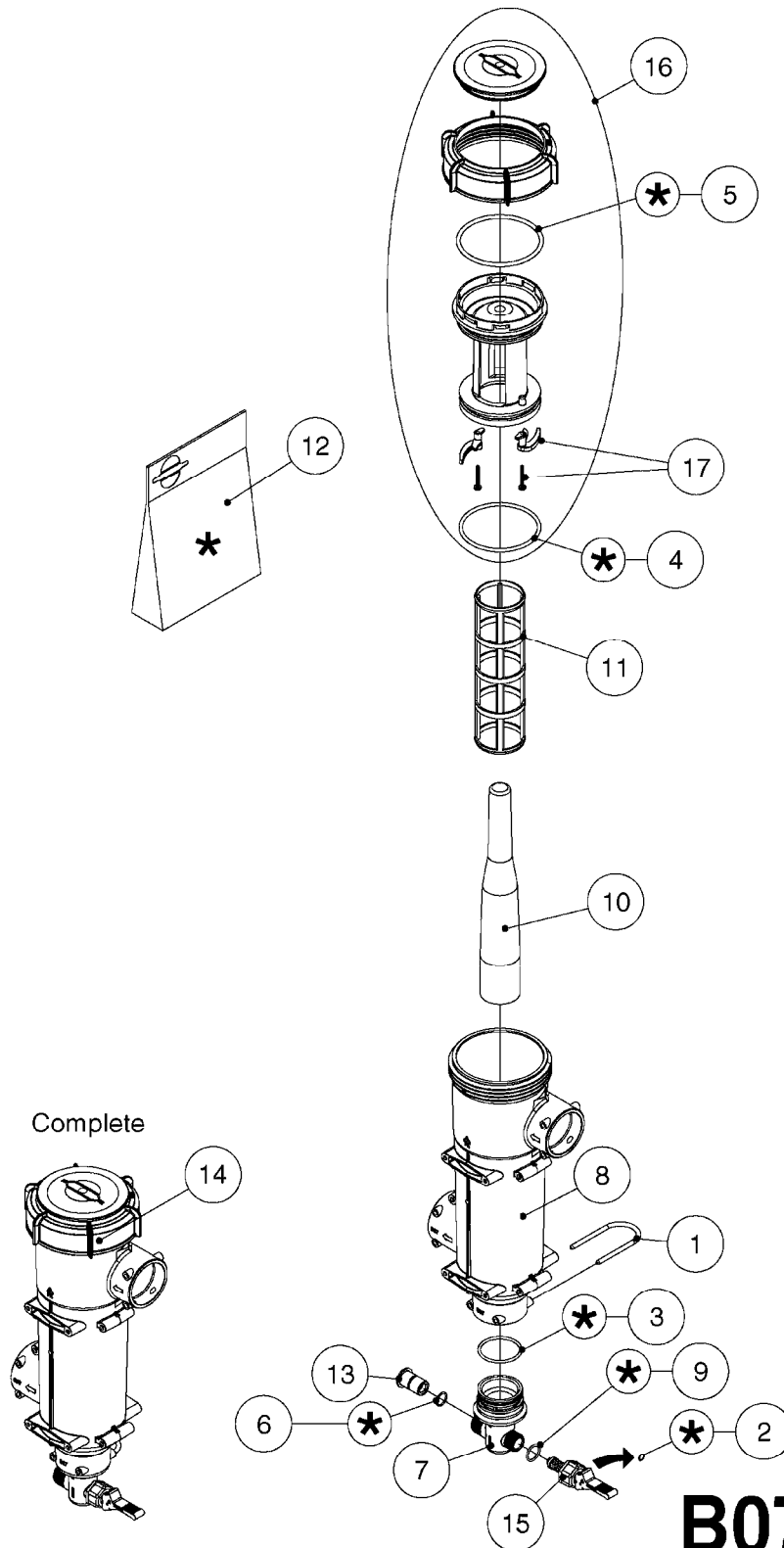


EASY CLEAN FILTER
B0720-HIN, 01:01:16

Page 1

Date 07.02.2020 10:03

| Pos. | parts-n° | order qty | description |
|------|----------|-----------|---------------------------------|
| 1 | 140766 | 1 | NUT 1/2" BSP |
| 2 | 145997 | 1 | FITT.DK S-93 FORK |
| 3 | 231346 | 1 | QUICK COUPLER 1/8"BSP X 4 MM |
| 4 | 240936 | 1 | O-RING D13.3X2.4 NITRIL |
| 5 | 242570 | 1 | O-RING D150.0 x5.0 SH70 VITON |
| 6 | 242572 | 1 | RUBBER BELT Ø160x1.5 B=60 EPDM |
| 7 | 242573 | 1 | O-RING Ø104.14X5.33SH70 NITRIL |
| 8 | 242593 | 1 | GASKET Ø8/Ø5x1 (PA) 266N-M5X1 |
| 9 | 320047 | 1 | FITT.DK CAPNUT 1/2" BSP |
| 10 | 322356 | 1 | EASYCLEAN FILTER HOUSING |
| 11 | 322357 | 1 | CAP F. COUPLER EASYCLEAN FILTE |
| 12 | 330212 | 1 | O-RING D19/D14X2.4 F.1/2"NUT |
| 13 | 391090 | 1 | BALL F. EASYCLEAN FILTER ON/OF |
| 14 | 391091 | 1 | SEAL F. BALL EASYCLEAN FILTER |
| 15 | 440698 | 1 | SCREW F.PLASTIC 6X18 SS HEXHD |
| 16 | 727133 | 1 | FITT. S93 2-1/2" STR. S W/O-RI |
| 17 | 727226 | 1 | FITT. S93 2-1/2" 90° S W/O-RING |
| 18 | 741826 | 1 | SEAL KIT F. EASYCLEAN FILTER |
| 19 | 927253 | 1 | RED AIR HOSE, Ø4/2 1810 E |
| 20 | 14055400 | 1 | FITT.DK REDUC 1/2"x1/8"x1/4"BS |
| 21 | 14117700 | 1 | SPINDLE S93 L46 NV13 SS |
| 22 | 24260100 | 1 | O-RING Ø88.0X5.0 SH70 VITON |
| 23 | 24260700 | 1 | O-RING Ø101.19X3.53 SH70 VITON |
| 24 | 28030303 | 1 | CLAMP HOSE T-BOLT S2.5" 235-76 |
| 25 | 28053400 | 1 | GAUGE VACUUM SUCT. FILTER NCM |
| 26 | 28054300 | 1 | QUICK COUPLER 1/8"BSP/Ø4 FEMAL |
| 27 | 33503200 | 1 | HOSE COUPLER F. EASYCLEAN FILT |
| 28 | 33503600 | 1 | FILTER CARRIER F. EASYCLEAN |
| 29 | 72072900 | 1 | FITT. S93 2-1/2" 45° S W/O-RING |
| 30 | 72270600 | 1 | LID ASSM. EASYCLEAN FILTER |
| 31 | 72278800 | 1 | FILTER 30 MESH GREEN D110/284 |
| 31 | 72278900 | 1 | FILTER 50 MESH BLUE D110/284 |
| 31 | 72279000 | 1 | FILTER 80 MESH RED D110/284 |
| 32 | 72318900 | 1 | EASYCLEAN FILTER COMPL. |
| 33 | 74192800 | 1 | FILTER LOCK PARTS - EASYCLEAN |
| 34 | 92702803 | 1 | HOSE PVC SUCT GRAY 2.5" |



B0730

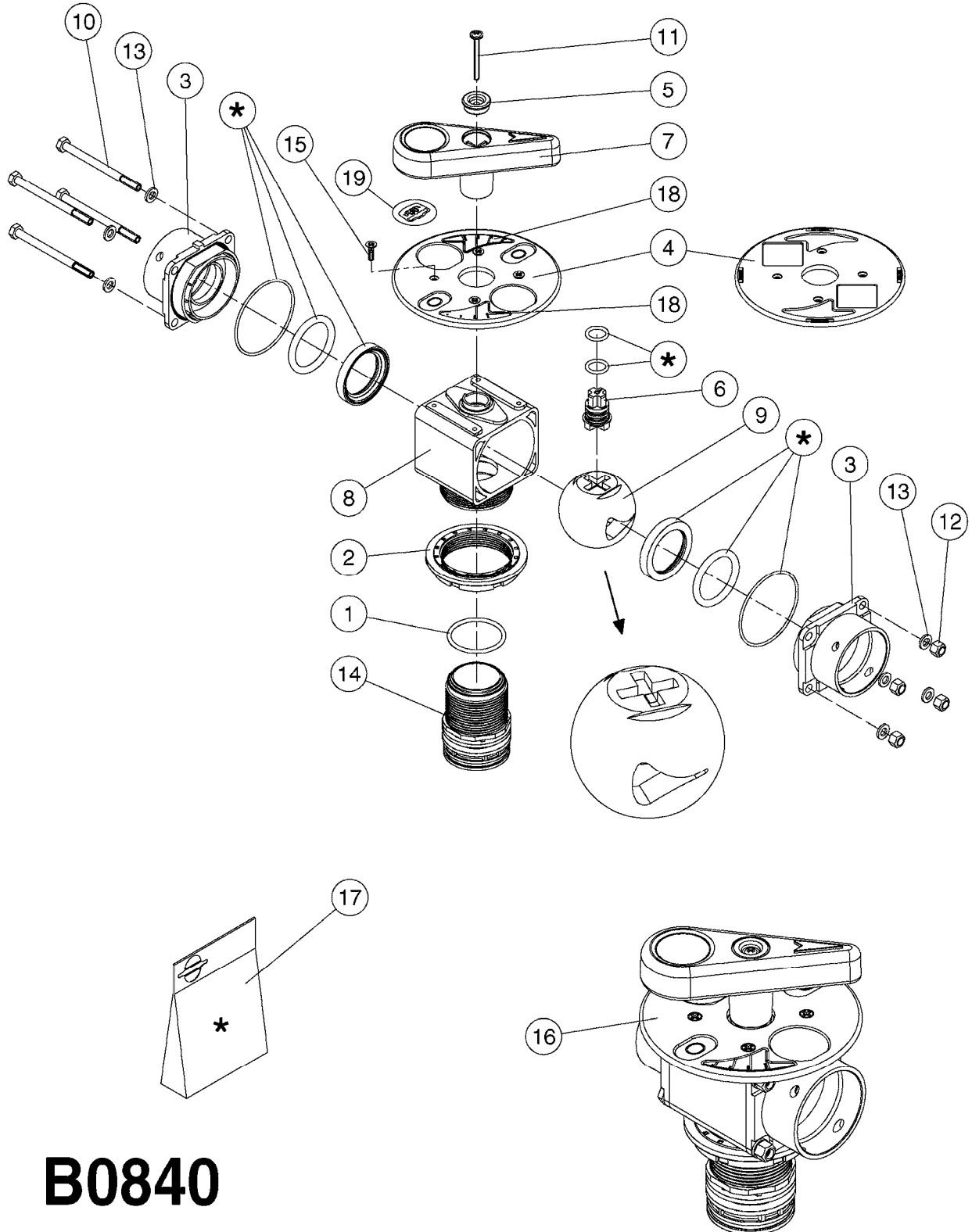


PRESSURE FILTER - CYCLONE
B0730-HIN, 01:01:16

Page 1

Date 07.02.2020 10:03

| Pos. | parts-n° | order qty | description |
|------|----------|-----------|--------------------------------|
| 1 | 145996 | 1 | FITT.DK S-67 FORK |
| 2 | 241323 | 1 | O-RING D5.3X2.4 NITRIL |
| 3 | 242353 | 1 | O-RING 3 X 44.2 VITON |
| 4 | 242565 | 1 | O-RING Ø 85 X 4.0 SH70 VITON |
| 5 | 242577 | 1 | O-RING Ø 86 X 4.5 SH70 VITON |
| 6 | 242594 | 1 | O-RING D14 X 1.78 SCH.70-EPDM |
| 7 | 322358 | 1 | T-PIECE S67-1/2"-3/4" |
| 8 | 322359 | 1 | CYCLONE FILTER HOUSING |
| 9 | 330315 | 1 | O-RING D18.4/D13X.6 |
| 10 | 391093 | 1 | CONE F. CYCLONE FILTER |
| 11 | 61036000 | 1 | FILTER ELEM.S93,100 MSH-YELLOW |
| 11 | 615416 | 1 | FILTER ELEM.S93,50 MESH-BLUE |
| 11 | 72557200 | 1 | FILTER ELEM.S93,80# CYCLONE |
| 12 | 741827 | 1 | SEAL KIT CYCLONE FILTER |
| 13 | 39127500 | 1 | VALVE SEAT D18/10 3/4"-1/2" 09 |
| 14 | 72281200 | 1 | CYCLONE FILT.COMP. 80 MSH S67 |
| 14 | 72316500 | 1 | CYCLONE FILT.COMP.50 MSH S67 |
| 14 | 72316600 | 1 | CYCLONE FILT.COMP.100 MSH S67 |
| 15 | 72281300 | 1 | VALVE BOOSTER/ON/OFF CYCLONE F |
| 16 | 72352200 | 1 | LID COMPLETE F. CYCLONE FILTER |
| 17 | 74192900 | 1 | FILTER LOCK PARTS - CYCLONE |



B0840

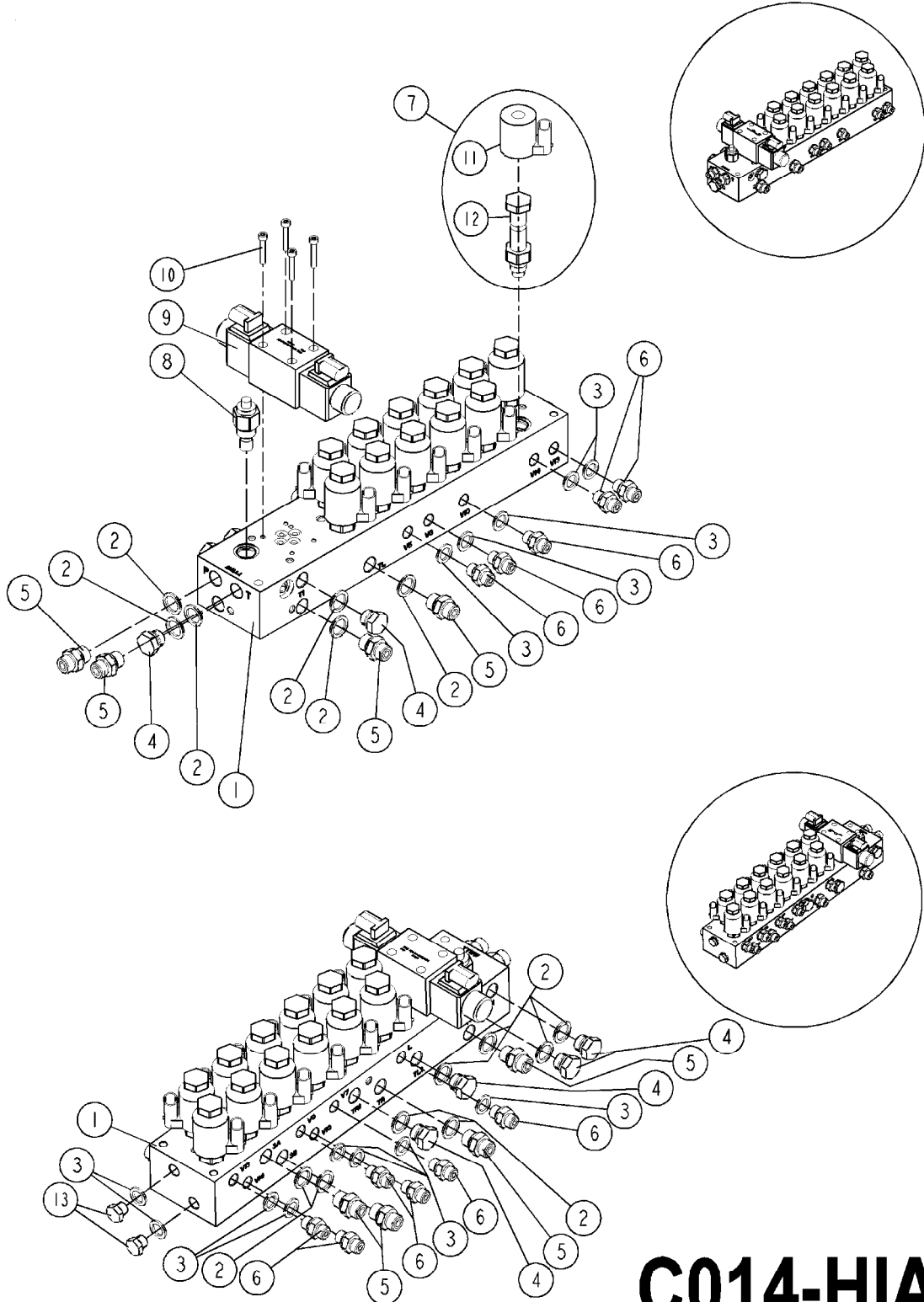


AGITATION VALVE S67 MANUAL
B0840-HIN, 30:07:19

Page 1

Date 07.02.2020 10:03

| Pos. | parts-n° | order qty | description |
|------|----------|-----------|---|
| 1 | 242020 | 1 | O-RING 39.2 X 3 VITON |
| 2 | 322320 | 1 | NUT F.3 WAY VALVE S56 |
| 3 | 334497 | 1 | END COVER 3 WAY VALVE S-67 |
| 4 | 334587 | 1 | FACE PLATE F.BALL VALVE BLACK NAVIGATOR 4500/6200 |
| 4 | 33506500 | 1 | FACE PLATE F.BALL VALVE BLACK COMMANDER 4500/5500/7000 |
| 5 | 334594 | 1 | PLUG F.VALVE HANDLE BLACK |
| 6 | 334600 | 1 | SPINDLE F.3 WAY VALVE |
| 7 | 334903 | 1 | HANDLE S67/93 VALVE BLACK |
| 8 | 390623 | 1 | HOUSING F.3 WAY VALVE |
| 9 | 391180 | 1 | BALL F. AGITATOR S67 ARE 268 |
| 10 | 410605 | 1 | BOLT HEX 8.8 DEL M6X80 |
| 11 | 440729 | 1 | SCREW F. PLASTIC 4MM X40LG SS |
| 12 | 460261 | 1 | NUT HEX M6X1.00 LOCK DIN985 A2 SS |
| 13 | 471125 | 1 | WASHER M6U 6.4X14X1.2,A2 SS |
| 14 | 728579 | 1 | SEAL F BALL |
| 15 | 44074800 | 1 | SCREW F. PLASTIC 4MM X10 WN1413 SS |
| 16 | 72283600 | 1 | VALVE S67 AGITATION NCM COMMANDER 4500/5500/7000 |
| 16 | 72386800 | 1 | VALVE AGGITATION VAR NAV NAVIGATOR 4500/6200 |
| 17 | 74193000 | 1 | REPAIR KIT FOR S67 VALVE |
| 18 | 97800300 | 1 | DECAL AGITATION,VARIABLE |
| 19 | 97810900 | 1 | DECAL AGITATION NCM |



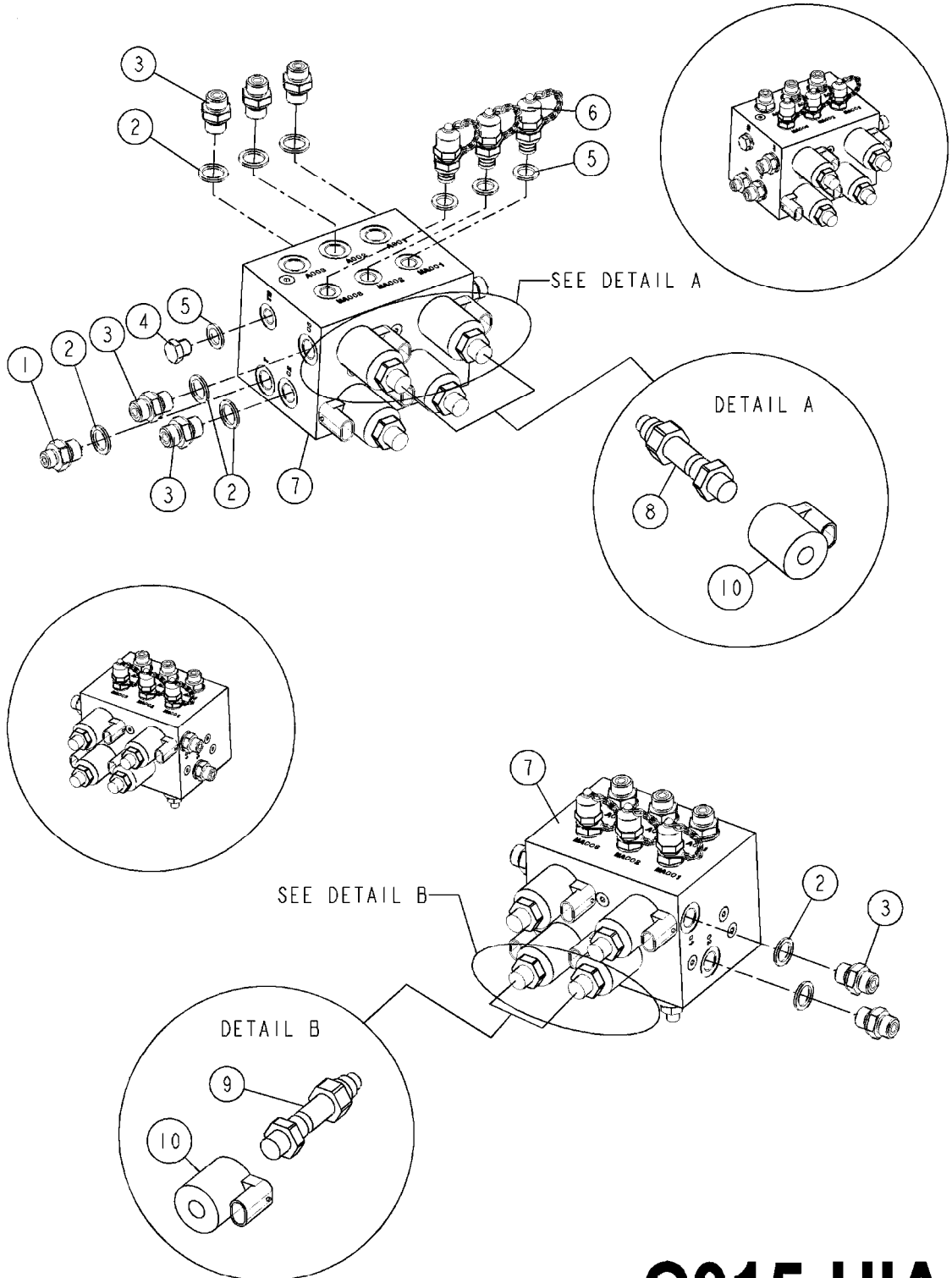
C014-HIA



DTZ HYD. BLOCK
C014-HIA, 09:07:18

Page 1
Date 07.02.2020 10:04

| Pos. | parts-n° | order qty | description |
|------|----------|-----------|--------------------------------|
| 1 | 73024700 | 1 | HYD. BLOCK DDZ SPAREPART |
| 2 | 240866 | 1 | DOWTYSEAL 3/8" |
| 3 | 241404 | 1 | DOWTY SEAL 1/4" |
| 4 | 146790 | 1 | PLUG 3/8" RG L=20 SS |
| 5 | 23234300 | 1 | HEX NIPPLE 3/8"-11/16" |
| 6 | 23234500 | 1 | HEX NIPPLE 1/4" - 9/16" |
| 7 | 75586600 | 1 | SOLENOID VALVE NC, + COIL |
| 8 | 78216800 | 1 | FLOW REGULATING VALVE, 3/4" |
| 9 | 78217800 | 1 | MAGNET VLV.MD1L-S3/10N-D12K8DT |
| 10 | 450964 | 1 | SCREW M5X30 F.CYLINDER |
| 11 | 78222700 | 1 | COIL W. AMP |
| 12 | 78222800 | 1 | SOLENOID VALVE NC, DOUBLE LOCK |
| 13 | 14010400 | 1 | PLUG 1/4" BSP |



C015-HIA



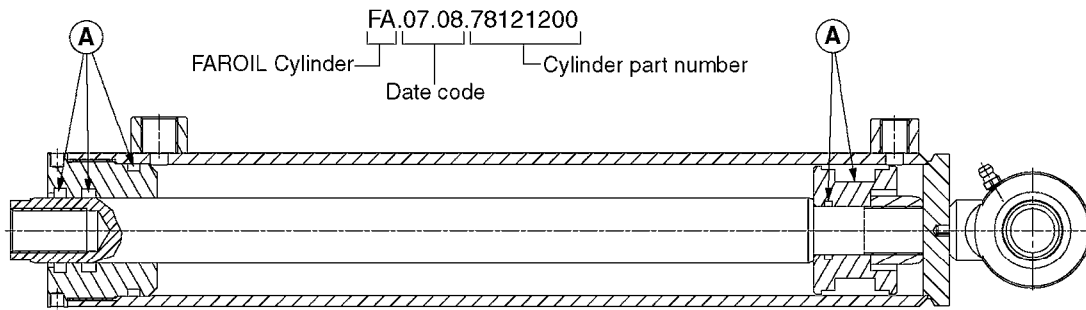
DTZ ANTI-YAW HYD. BLOCK
C015-HIA, 30:03:15

Page 1
Date 07.02.2020 10:04

| Pos. | parts-n° | order qty | description |
|------|----------|-----------|----------------------------------|
| 1 | 23236200 | 1 | HEX NIPPLE 3/8"-9/16" - 1.8mm |
| 2 | 240866 | 1 | DOWTYSEAL 3/8" |
| 3 | 23234300 | 1 | HEX NIPPLE 3/8"-11/16" |
| 4 | 14010400 | 1 | PLUG 1/4" BSP |
| 5 | 241404 | 1 | DOWTY SEAL 1/4" |
| 6 | 231955 | 1 | NIPPLE F. PRESS GAUGE 1/4" BSP |
| 7 | 78220800 | 1 | HYD. BLOCK DDZ ANTI-YAW |
| 8 | 78223100 | 1 | SOLENOID VALVE NO, DOUBLE LOCK |
| 9 | 78223200 | 1 | SOLENOID VALVE NC, KNOB OVERRIDE |
| 10 | 78222700 | 1 | COIL W. AMP |



Check cylinder barrel for stamped part number.



FAROIL cylinders directly replace the cylinders in the chart below. Seal kits (A) are for FAROIL cylinders only. Seal kits for replaced cylinders can be found on pages C0010 and C0020.

| FAROIL Cylinder # | Replaces Cylinder # | FAROIL Seal Kit (A) |
|-------------------|---------------------|---------------------|
| 78120000 | 781001 | 75075900 |
| 78120100 | 781011 | 75076000 |
| 78120200 | 781034 | 75075900 |
| 78120300 | 781040 | 75076100 |
| 78120500 | 781093 | 75074600 |
| 78120600 (LH) | 781096* | 28117300 |
| 78120700 (LH) | 781097* | 28117300 |
| 78120800 | 781100 | 75075400 |
| 78121000 | - | 75075500 |
| 78121200 | 781107 | 75074500 |
| 78121400 | 781109 | 75075200 |
| 78121600 | 781111 | 75074500 |
| 78121800 | 781113 | 75074400 |
| 78122000 | 781115 | 75074300 |
| 78122100 | 781116 | 75074400 |
| 78122300 | 781118 | 75074300 |
| 78122400 | 781119 | 75074300 |
| 78122600 | 781121 | 75075000 |
| 78122700 | 781122 | 75075000 |

| FAROIL Cylinder # | Replaces Cylinder # | FAROIL Seal Kit (A) |
|-------------------|---------------------|---------------------|
| 78122800 | 781123 | 75075000 |
| 78122900 | 781124 | 75075000 |
| 78123100 | 781126 | 75074300 |
| 78123200 | 781127 | 75074300 |
| 78123300 (LH) | 78115000* | 75075500 |
| 78124100 (RH) | 78115100* | 75075500 |
| 78124200** | 781139 | 75074800 |
| 78124300 (LH) | 781141* | 28117300 |
| 78124600 | 781115 | 75074300 |
| 78125100 (RH) | 78115000* | 75075500 |
| 78125300 (LH) | 78115100* | 75075500 |
| 78125500 (RH) | 781096* | 28117300 |
| 78125600 (RH) | 781097* | 28117300 |
| 78125700 (RH) | 781141* | 28117300 |
| 78126000 | 781132 | 75074900 |
| 78126400 | 781090 | 75076500 |
| 78128000 | 78120500 | 75074600 |
| 78128800 | 78121200 | 75075200 |

*Replaced by separate left and right cylinders.
** Only available as 72531000 (78124200 with fittings).



| parts-n° | order qty | description |
|----------|-----------|--|
| 781001 | 1 | CYL.TELESOPING Ø50/40/25_1100 |
| 781011 | 1 | CYLINDER TELESC.70/60/40 |
| 781034 | 1 | HY. CYLINDER D50/40/25 - 1200 |
| 781040 | 1 | CYLINDER 60/50/30 1100MM |
| 781090 | 1 | CYL DBLD32/16-200W |
| 781093 | 1 | CYLINDER FOLD SPC D60/30 L=300 |
| 781096 | 1 | CYLINDER 60/25 X 662 NAV PAR |
| 781097 | 1 | CYLINDER 60/25 X 725 CM PAR |
| 781100 | 1 | CYLINDER DOUBLE 60/30-300 |
| 781107 | 1 | DOBCYL50/30-500/M24X2 78121200 |
| 781109 | 1 | DOUBLE CYLINDER D 50/30-300 |
| 781111 | 1 | CYL DOUB D50/30-300 78121600 |
| 781113 | 1 | CYLINDER D50/25 L=300 |
| 781115 | 1 | CYLINDER DOUBLE Ø40/20-300 |
| 781116 | 1 | CYLINDER DOUBLE D50/25-298 |
| 781118 | 1 | CYLINDER DOUBLE D40/20-180 |
| 781119 | 1 | DOUBLE CYLINDER D 40/20-300 |
| 781121 | 1 | CYLINDER D40/22-300 BLACK |
| 781122 | 1 | CYLINDER D40/22X300MM RED |
| 781123 | 1 | CYLINDER D40/22-300 BLACK |
| 781124 | 1 | CYLINDER 40/22X300MM RED |
| 781126 | 1 | CYLINDER DOUBLE D40/20-120 |
| 781127 | 1 | CYLINDER D40/20-120 |
| 781132 | 1 | CYL.STAB CM1200 04 78126000 |
| 781139 | 1 | CYLINDER D25/12-50 |
| 781141 | 1 | CYLINDER 60/25 X 635 DELTA PAR |
| 28117300 | 1 | SEAL KIT 78120600/07/43 |
| 72531000 | 1 | CYL. D25/12-50/78124200 W/FITT |
| 75074300 | 1 | SEALKIT78122000/23-25/30-32/46 |
| 75074400 | 1 | SEAL KIT 78121800/21/44 |
| 75074500 | 1 | SEALKIT78121100-13/15/16/36/48 |
| 75074600 | 1 | SEAL KIT 78120500/49 |
| 75074800 | 1 | SEAL KIT 78123400/42 |
| 75074900 | 1 | SEAL KIT 78123700 |
| 75075000 | 1 | SEAL KIT 78122600/27/28/29 |
| 75075200 | 1 | SEAL KIT 78120900/14/50 |
| 75075400 | 1 | SEAL KIT 78120800 |
| 75075500 | 1 | SEAL KIT 78121000/33/41/51/53 |
| 75075900 | 1 | SEAL KIT FOR 78120000 & 78120200 |
| 75076000 | 1 | SEAL KIT 78120100 |
| 75076100 | 1 | SEAL KIT 78120300 |
| 75076500 | 1 | SEAL KIT 78126400 |
| 78115000 | 1 | DBL CYL D70/40-320 AIRING |
| 78115100 | 1 | CYL DOB.D70/40-265 AIR INLET R |
| 78120000 | 1 | CYL.TELESOPING Ø50/40/25 1100 |
| 78120100 | 1 | CYLINDER TELESC.65/40-1237 |
| 78120200 | 1 | HY. CYLINDER D50/40/25 - 1200 |
| 78120300 | 1 | CYLINDER 60/50/30 1100MM |
| 78120500 | 1 | CYLINDER FOLD SPC D60/30 L=300 NLA - REPLACED BY 78128000 |
| 78120600 | 1 | CYLINDER 60/25 X 662 NAV PAR L |
| 78120700 | 1 | SIN.CYL.Ø60/25-725 2XØ25 LEFT |
| 78120800 | 1 | CYLINDER DOUBLE 60/30-300 |
| 78121000 | 1 | CYLINDER DOUBLE D70/40-400 |
| 78121200 | 1 | CYLINDER, D50/30-500 |
| 78121400 | 1 | DOUBLE CYLINDER D 50/30-300 |
| 78121600 | 1 | CYLINDER DOUBLE D50/30-300 |
| 78121800 | 1 | CYLINDER D50/25 L=300 |
| 78122000 | 1 | CYLINDER DOUBLE Ø40/20-300 0° |
| 78122100 | 1 | CYLINDER DOUBLE D50/25-298 |
| 78122300 | 1 | CYLINDER DOUBLE D40/20-180 |

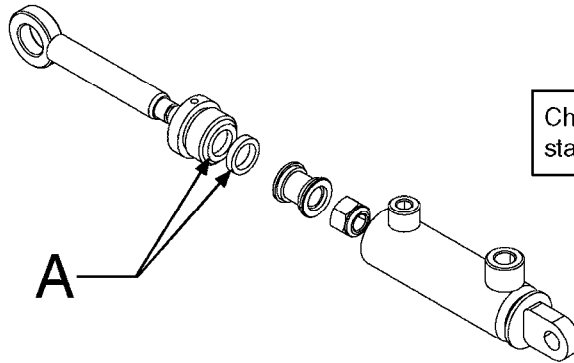


HYDRAULICS - FAROIL CYLINDERS
C0030-HIN, 01:01:16

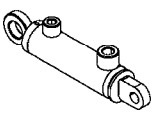
Page 2

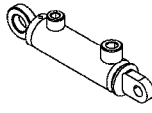
Date 07.02.2020 10:04

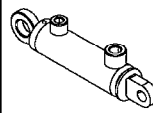
| parts-n° | order qty | description |
|----------|-----------|--------------------------------|
| 78122400 | 1 | DOUBLE CYLINDER D 40/20-300 |
| 78122600 | 1 | CYLINDER D40/22-300 BLACK |
| 78122700 | 1 | CYLINDER D40/22X300MM RED |
| 78122800 | 1 | CYLINDER D40/22-300 BLACK |
| 78122900 | 1 | CYLINDER 40/22X300MM RED |
| 78123100 | 1 | CYLINDER DOUBLE D40/20-120 |
| 78123200 | 1 | CYLINDER D40/20-120 |
| 78123300 | 1 | DBL CYL D70/40-320 AIR INLET L |
| 78124100 | 1 | CYL DOB.D70/40-265 AIR INLET R |
| 78124200 | 1 | CYLINDER D25/12-50 |
| 78124300 | 1 | CYLINDER 60/25 X 635 DELTA L |
| 78124600 | 1 | CYLINDER DOUBLE Ø40/20-300 90° |
| 78125100 | 1 | DBL CYL D70/40-320 AIR INLET R |
| 78125300 | 1 | CYL DOB.D70/40-265 AIR INLET L |
| 78125500 | 1 | CYLINDER 60/25 X 662 NAV PAR R |
| 78125600 | 1 | SIN.CYL.Ø60/25_725_2XØ25 RIGHT |
| 78125700 | 1 | CYLINDER 60/25 X 635 DELTA R |
| 78126000 | 1 | CYLINDER,DAMPNER, LOCKING |
| 78126400 | 1 | CYLINDER DBLE D32/16-200 W.STP |
| 78128000 | 1 | CYLINDER DOUB. D60/30 L=300 09 |
| 78128800 | 1 | CYLINDER, D50/30-500 |



Check cylinder barrel for stamped part number.

|  | A |
|---|----------|
| 781136 | 28064100 |
| 781137 | 28064200 |
| 78114300 | 75083800 |
| 78120000 | 75075900 |
| 78120100 | 75076000 |
| 78120200 | 75075900 |
| 78120300 | 75076100 |
| 78120400 | 75074200 |
| 78120500 | 75074600 |
| 78120600 | 28117300 |
| 78120700 | 28117300 |
| 78120800 | 75075400 |
| 78121000 | 75075500 |
| 78121200 | 75074500 |
| 78121300 | 75074500 |
| 78121400 | 75075200 |
| 78121600 | 75074500 |
| 78121800 | 75074400 |
| 78122000 | 75074300 |
| 78122100 | 75074400 |
| 78122300 | 75074300 |
| 78122400 | 75074300 |
| 78122600 | 75075000 |
| 78122700 | 75075000 |

|  | A |
|---|----------|
| 78122800 | 75075000 |
| 78122900 | 75075000 |
| 78123000 | 75074300 |
| 78123100 | 75074300 |
| 78123200 | 75074300 |
| 78123400* | 75074800 |
| 78123700 | 75074900 |
| 78124100 | 75075500 |
| 78124300 | 28117300 |
| 78124400 | 75074400 |
| 78124500 | 75076400 |
| 78124600 | 75074300 |
| 78125100 | 75075500 |
| 78125300 | 75075500 |
| 78125500 | 28117300 |
| 78125800 | 75076400 |
| 78126000 | 75074900 |
| 78126400 | 75076500 |
| 78126500 | 75074800 |
| 78127200 | 75084400 |
| 78127800 | 75084500 |
| 78128000 | 75074600 |
| 78128100 | 75084700 |
| 78128200 | 75084800 |

|  | A |
|---|----------|
| 78128500 | 75084900 |
| 78128700 | 75075200 |
| 78128800 | 75075200 |
| 78129900 | 75074300 |
| 78130600 | 75074400 |
| 78130900 | 75085400 |
| 78131000 | 75075400 |
| 78131100 | 75085500 |
| 78131200 | 75084800 |
| 78131300 | 75085800 |
| 78131400 | 75084800 |
| 78131800 | 75586200 |
| 78132600 | 75587200 |
| 78132700 | 75084600 |
| 78132800 | 75586100 |
| 78132900 | 75586100 |
| 78133300 | 75587000 |
| 78133900 | 75075500 |
| 78134000 | 75075500 |
| 78134600 | 75075400 |
| 78509004 | 75084800 |

* Only available as 72320300 (78123400 with spring lock & fittings).

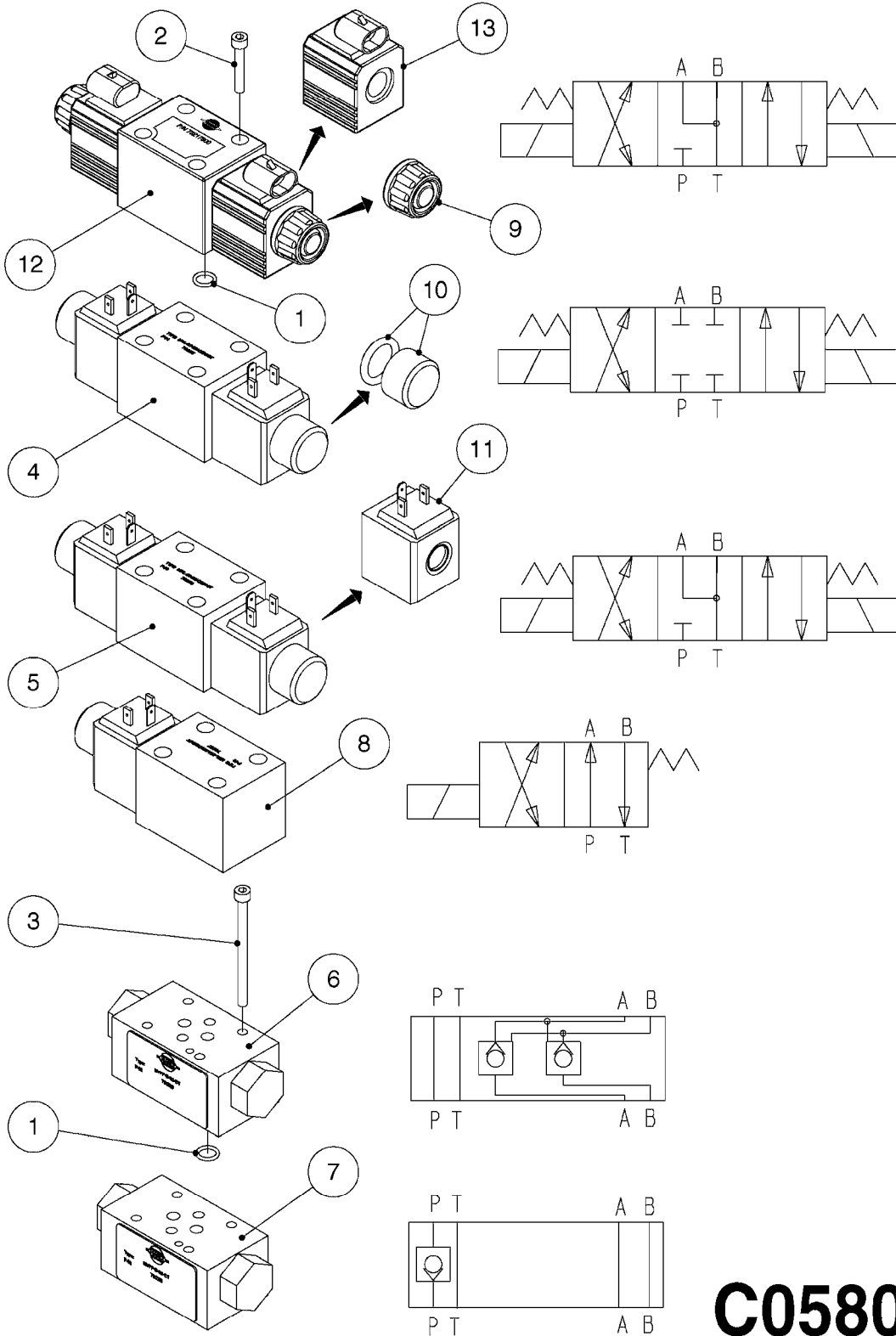
C0040



| parts-n° | order qty | description |
|----------|-----------|--|
| 781136 | 1 | HYDRAULIC SHOCK NCM4400 SUSP. |
| 781137 | 1 | HYDRAULIC SHOCK NCM6600 SUSP. |
| 28064100 | 1 | GASKET SET FOR CYL. 781136 |
| 28064200 | 1 | GASKET SET FOR CYL. 781137 |
| 28117300 | 1 | SEAL KIT 78120600/07/43 |
| 72320300 | 1 | HYD. CYL. STEERING LOCK CM "05 |
| 75074200 | 1 | SEAL KIT 78120400 |
| 75074300 | 1 | SEALKIT78122000/23-25/30-32/46 |
| 75074400 | 1 | SEAL KIT 78121800/21/44 |
| 75074500 | 1 | SEALKIT78121100-13/15/16/36/48 |
| 75074600 | 1 | SEAL KIT 78120500/49 |
| 75074800 | 1 | SEAL KIT 78123400/42 |
| 75074900 | 1 | SEAL KIT 78123700 |
| 75075000 | 1 | SEAL KIT 78122600/27/28/29 |
| 75075200 | 1 | SEAL KIT 78120900/14/50 |
| 75075400 | 1 | SEAL KIT 78120800 |
| 75075500 | 1 | SEAL KIT 78121000/33/41/51/53 |
| 75075900 | 1 | SEAL KIT FOR 78120000 & 78120200 |
| 75076000 | 1 | SEAL KIT 78120100 |
| 75076100 | 1 | SEAL KIT 78120300 |
| 75076400 | 1 | SEAL KIT 78124500 & 78125800 |
| 75076500 | 1 | SEAL KIT 78126400 |
| 75083800 | 1 | SEAL KIT F.78114300 |
| 75084400 | 1 | SEAL KIT FOR 78127200/7500 |
| 75084500 | 1 | SEAL KIT FOR 78127800 |
| 75084600 | 1 | SEAL KIT FOR 781279/8600 |
| 75084700 | 1 | SEAL KIT FOR 78128100 |
| 75084800 | 1 | SEAL KIT FOR 78128200/78131200 |
| 75084900 | 1 | SEAL KIT FOR 78128500 |
| 75085400 | 1 | SEAL KIT FOR 78130900 |
| 75085500 | 1 | SEAL KIT FOR HYDRAULIC CYLINDER 78131100 |
| 75085800 | 1 | SEAL KIT F. CYL. 78130400 |
| 75586100 | 1 | SEAL KIT FOR 78131700 |
| 75586200 | 1 | SEALKIT 80/40 FOR 78131800 |
| 75587000 | 1 | SEAL KIT FOR 78133300 |
| 75587200 | 1 | SEAL KIT FOR 78132600 |
| 78114300 | 1 | CYLINDER 70/30 X 662 LG PAR R |
| 78120000 | 1 | CYL. TELESCOPING Ø50/40/25 1100 |
| 78120100 | 1 | CYLINDER TELESC.65/40-1237 |
| 78120200 | 1 | HY. CYLINDER D50/40/25 - 1200 |
| 78120300 | 1 | CYLINDER 60/50/30 1100MM |
| 78120400 | 1 | CYL DBLD32/16-200W |
| 78120500 | 1 | CYLINDER FOLD SPC D60/30 L=300 |
| 78120600 | 1 | CYLINDER 60/25 X 662 NAV PAR L |
| 78120700 | 1 | SIN.CYL.Ø60/25-725 2XØ25 LEFT |
| 78120800 | 1 | CYLINDER DOUBLE 60/30-300 |
| 78121000 | 1 | CYLINDER DOUBLE D70/40-400 |
| 78121200 | 1 | CYLINDER, D50/30-500 |
| 78121300 | 1 | CYLINDER DBLE Ø50/30-600(700) |
| 78121400 | 1 | DOUBLE CYLINDER D 50/30-300 |
| 78121600 | 1 | CYLINDER DOUBLE D50/30-300 |
| 78121800 | 1 | CYLINDER D50/25 L=300 |
| 78122000 | 1 | CYLINDER DOUBLE Ø40/20-300 0° |
| 78122100 | 1 | CYLINDER DOUBLE D50/25-298 |
| 78122300 | 1 | CYLINDER DOUBLE D40/20-180 |
| 78122400 | 1 | DOUBLE CYLINDER D 40/20-300 |
| 78122600 | 1 | CYLINDER D40/22-300 BLACK |
| 78122700 | 1 | CYLINDER D40/22X300MM RED |
| 78122800 | 1 | CYLINDER D40/22-300 BLACK |
| 78122900 | 1 | CYLINDER 40/22X300MM RED |
| 78123000 | 1 | CYL DOUBLE Ø40/20-120 |



| parts-n° | order qty | description |
|----------|-----------|---------------------------------------|
| 78123100 | 1 | CYLINDER DOUBLE D40/20-120 |
| 78123200 | 1 | CYLINDER D40/20-120 |
| 78123400 | 1 | CYLINDER FOR TRACK LOCK, NCM |
| 78123700 | 1 | CYLINDER,DAMPNER,LOCK 78126000 |
| 78124100 | 1 | CYL DOB.D70/40-265 AIR INLET R |
| 78124300 | 1 | CYLINDER 60/25 X 635 DELTA L |
| 78124400 | 1 | CYLINDER DOUBLE D50/25 250 |
| 78124500 | 1 | CYLINDER 70/30 X 662 LG PAR L |
| 78124600 | 1 | CYLINDER DOUBLE Ø40/20-300 90° |
| 78125100 | 1 | DBL CYL D70/40-320 AIR INLET R |
| 78125300 | 1 | CYL DOB.D70/40-265 AIR INLET L |
| 78125500 | 1 | CYLINDER 60/25 X 662 NAV PAR R |
| 78125800 | 1 | CYLINDER 70/30 X 662 LG PAR R |
| 78126000 | 1 | CYLINDER,DAMPNER,LOCKING |
| 78126400 | 1 | CYLINDER DBLE D32/16-200 W.STP |
| 78126500 | 1 | CYLINDER D25/12-50 FAROIL NNAV |
| 78127200 | 1 | CYLINDER DOUB. D40/25 L=455 |
| 78127800 | 1 | HYDRAULIC CYLINDER 25-40 |
| 78128000 | 1 | CYLINDER DOUB. D60/30 L=300 09 |
| 78128100 | 1 | CYLINDER 70/30-300/TILT TDZ |
| 78128200 | 1 | PLUNGECYLINDER 70/840 2X30 |
| 78128500 | 1 | CYLINDER DOUBLE PLUNGER D60X75 |
| 78128700 | 1 | CYLINDER DOUBLE D50/30 500 |
| 78128800 | 1 | CYLINDER, D50/30-500 |
| 78129900 | 1 | CYLINDER DOUBLE D40/20 180 1/4 |
| 78130600 | 1 | DOB.CYL.Ø50/25-240/M. SENSOR |
| 78130900 | 1 | CYLINDER, D70/40-500 TDZ FOLD |
| 78131000 | 1 | CYLINDER, 60/30X462, 120' SPC |
| 78131100 | 1 | HY. CYLINDER, 70/40X400 |
| 78131200 | 1 | PLUNGECYLINDER 70/838 2X30 |
| 78131300 | 1 | CYLINDER, D70/40-500 TDZ FOLD |
| 78131400 | 1 | PLUNGE CYLINDER D70 L=838 2X35 |
| 78131800 | 1 | CYLINDER 80/40-300/ TILT TDZ |
| 78132600 | 1 | DOB.CYL.Ø90/50-350/Ø35 |
| 78132700 | 1 | DOB.CYL.Ø70/30-436/ Ø30 |
| 78132800 | 1 | DOB.CYL.Ø70/30-360/M30 SPEC. |
| 78132900 | 1 | DOB.CYL.Ø70/30-280/M30 SPEC. |
| 78133300 | 1 | DOB.CYL.Ø50/30 500 END DAMPING |
| 78133900 | 1 | DOB.CYL.Ø70/40-322 TRACK RIGHT '15 |
| 78134000 | 1 | DOB.CYL.Ø70/40-322 TRACK LEFT '15 |
| 78134600 | 1 | SIN.CYL.Ø60/30 380 M24X2 |
| 78509004 | 1 | PLUNGECYLINDER 70/838 Ø30, CM85/10000 |



C0580

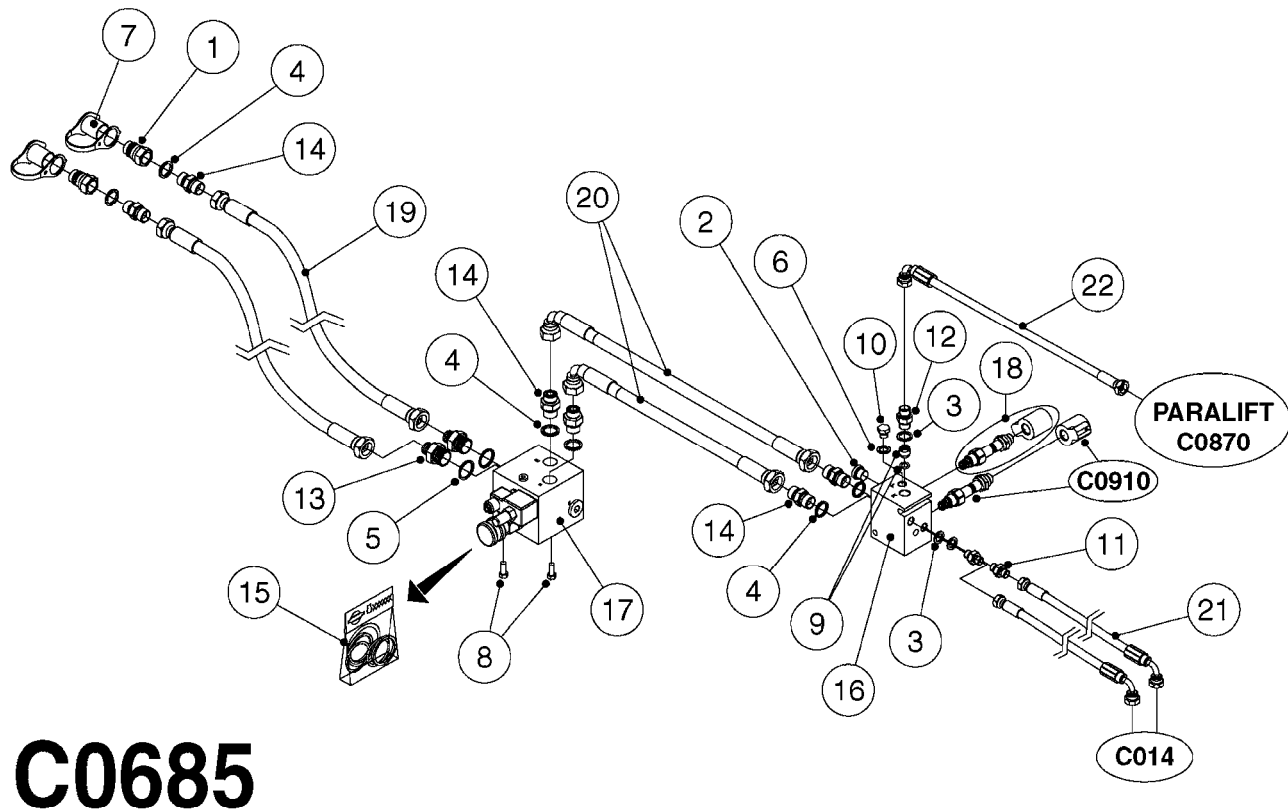


CETOP VALVES
C0580-HIN, 01:01:16

Page 1

Date 07.02.2020 10:04

| Pos. | parts-n° | order qty | description |
|------|----------|-----------|---------------------------------------|
| 1 | 242102 | 1 | O-RING Ø9.25X1.78 NITRIL 90SH |
| 2 | 450964 | 1 | SCREW M5X30 F.CYLINDER |
| 3 | 450965 | 1 | SCREW ROUND M5X70 |
| 4 | 782115 | 1 | HY SOLENOID VALVE DH HYD |
| 5 | 782116 | 1 | HY SOLENOID VALVE MD1L-S3/10N-D12K1/P |
| 6 | 782118 | 1 | LOCK VALVE MVPP-D |
| 7 | 782146 | 1 | HYD. CHECK VALVE 1 WAY |
| 8 | 782829 | 1 | SOLENOID MD1L-TA/10N-D12K1/DT |
| 9 | 28123700 | 1 | CAP F.SOLENOID - MD1L |
| 10 | 74187700 | 1 | CAP + O-RING F.CETOP - MD1L |
| 11 | 78216000 | 1 | SOLENOID F.CETOP VALVE - MD1L |
| 12 | 78217800 | 1 | MAGNET VLV.MD1L-S3/10N-D12K8DT |
| 13 | 78218200 | 1 | SOLENOID W/AMP F.MD1L |



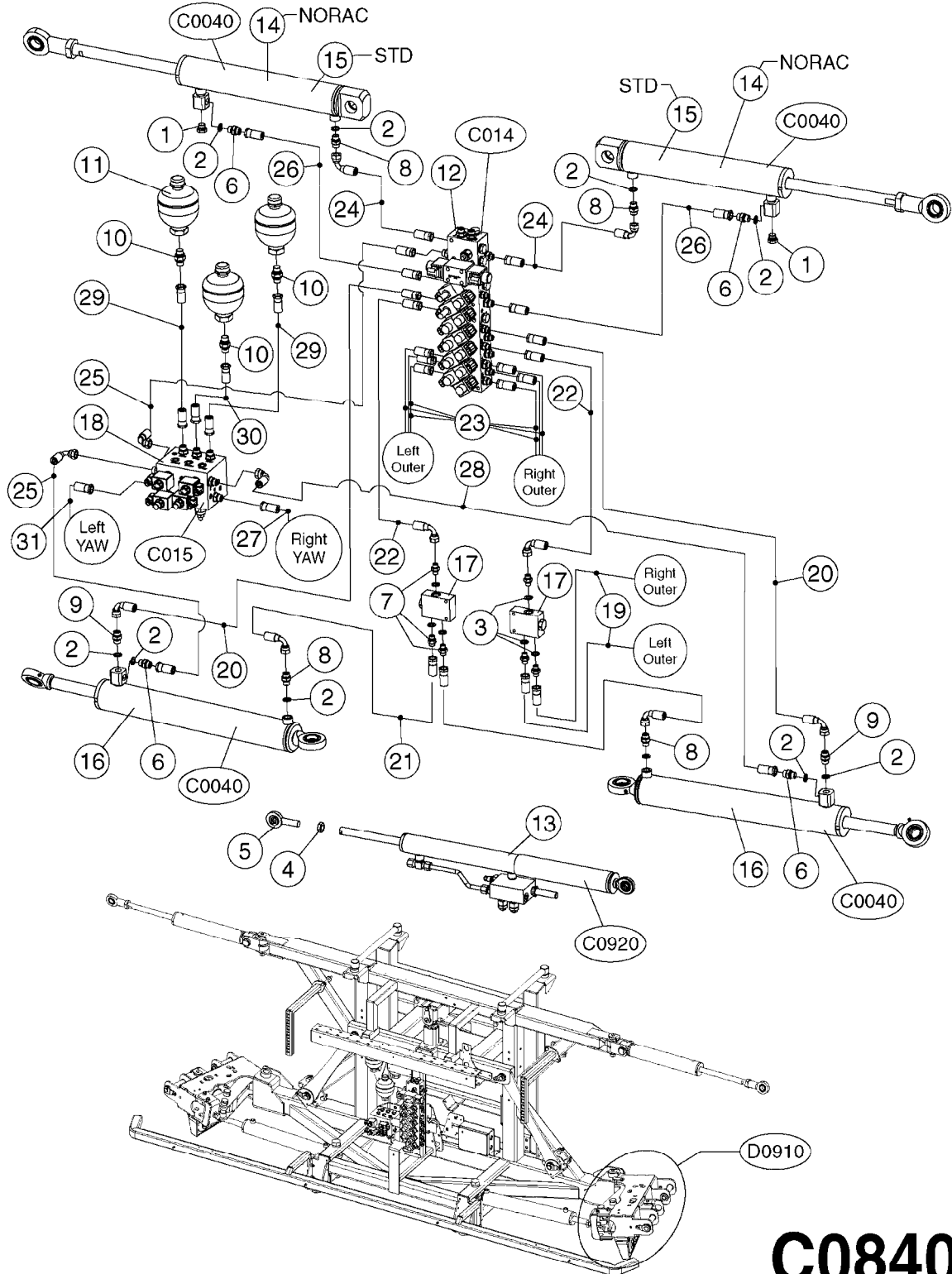


BASIC HYDRAULICS NAV 4500/6200
C0685-HIN, 11:07:19

Page 1

Date 07.02.2020 10:04

| Pos. | parts-n° | order qty | description |
|------|----------|-----------|--------------------------------|
| 1 | 230311 | 1 | QUICK COUPLING 1/2" |
| 2 | 231924 | 1 | PLUG 3/8" |
| 3 | 240866 | 1 | DOWTYSEAL 3/8" |
| 4 | 241356 | 1 | DOWTYSEAL 1/2" |
| 5 | 241367 | 1 | DOWTYSEAL 28.5x22 |
| 6 | 241404 | 1 | DOWTY SEAL 1/4" |
| 7 | 334206 | 1 | DUST HOOD FOR HY-COUPLING |
| 8 | 420582 | 1 | BOLT HEX 8.8 DEL M8X20 FT A2 |
| 9 | 782062 | 1 | NON-RETURN VALVE UTV 3/8" |
| 10 | 14010400 | 1 | PLUG 1/4" BSP |
| 11 | 23234300 | 1 | HEX NIPPLE 3/8"-11/16" |
| 12 | 23234600 | 1 | HEX NIPPLE 3/8"-11/16" - 1.8mm |
| 13 | 23235100 | 1 | HEX NIPPLE 3/4"-13/16" |
| 14 | 23235300 | 1 | HEX NIPPLE 1/2"-13/16" |
| 15 | 28061400 | 1 | SEAL KIT F. 782145 |
| 16 | 70078103 | 1 | HYD. BLOCK COMP. PARA-LIFT 1.8 |
| 17 | 72809100 | 1 | BYPASS BLOCK 782145 |
| 18 | 75586600 | 1 | SOLENOID VALVE NC, + COIL |
| 19 | 78503103 | 1 | HY.HO.1/2"L= 3350 STR-STR |
| 20 | 78503303 | 1 | HY.HO.1/2"L= 2000 STR-90 |
| 21 | 78503603 | 1 | HY.HO.3/8"L= 4700 STR-90° |
| 22 | 78560100 | 1 | HY.HO.3/8"L= 900 STR-90° |



C0840



DTZ BASIC HYDRAULIC
C0840-HIN, 05:06:19

Page 1
Date 07.02.2020 10:04

| Pos. | parts-n° | order qty | description |
|------|----------|-----------|-----------------------------------|
| 1 | 231924 | 1 | PLUG 3/8' |
| 2 | 240866 | 1 | DOWTYSEAL 3/8" |
| 3 | 241404 | 1 | DOWTY SEAL 1/4" |
| 4 | 461198 | 1 | NUT HEX M16X2 JAMB |
| 5 | 21091900 | 1 | LINK HEAD M16 x D17 DELTA |
| 6 | 23234300 | 1 | HEX NIPPLE 3/8"-11/16" |
| 7 | 23234500 | 1 | HEX NIPPLE 1/4" - 9/16" |
| 8 | 23235700 | 1 | HEX NIPPLE 3/8"-9/16" |
| 9 | 23236800 | 1 | HEX NIPPLE 3/8"-9/16" - 1.2mm |
| 10 | 23246100 | 1 | HEX NIPPLE 11/16" ORFS X M18 |
| 11 | 28160800 | 1 | ACCUMULATOR 0.5L |
| 12 | 73024800 | 1 | HYD. BLOCK DDZ 3-FOLD |
| 13 | 78126000 | 1 | CYLINDER,DAMPNER,LOCKING |
| 14 | 78132800 | 1 | DOB.CYL.Ø70/30-360/M30 SPEC. |
| 15 | 78132900 | 1 | DOB.CYL.Ø70/30-280/M30 SPEC. |
| 16 | 78134800 | 1 | DOB.CYL.Ø70/30-436/ Ø30 ADJ. DAMP |
| 17 | 78219600 | 1 | FLOW DIVIDER FTZ '13 |
| 18 | 78220800 | 1 | HYD. BLOCK DDZ ANTI-YAW |
| 19 | 78500100 | 1 | HY.HO.1/4"L= 3000 STR-90° |
| 20 | 78500300 | 1 | HY.HO.1/4"L= 1200 STR-90° |
| 21 | 78501400 | 1 | HY.HO.1/4"L= 750 STR-90° |
| 22 | 78504100 | 1 | HY.HO.1/4"L= 450 STR-90° |
| 23 | 78506403 | 1 | HY.HO.1/4"L= 2700 STR-STR |
| 24 | 78514100 | 1 | HY.HO.1/4"L= 2080 STR-90° |
| 25 | 78560100 | 1 | HY.HO.3/8"L= 900 STR-90° |
| 26 | 78562100 | 1 | HY.HO.3/8" L= 2400 STR-STR |
| 27 | 78562300 | 1 | HY.HO.3/8"L= 2150 STR-STR |
| 28 | 78563700 | 1 | HY.SL.3/8" L= 1450 STR-90° |
| 29 | 78568100 | 1 | HY.HO.3/8"L= 600 STR-STR |
| 30 | 78568200 | 1 | HY.HO.3/8"L= 390 STR-STR |
| 31 | 78568300 | 1 | HY.SL.3/8" L= 1500 STR-STR |



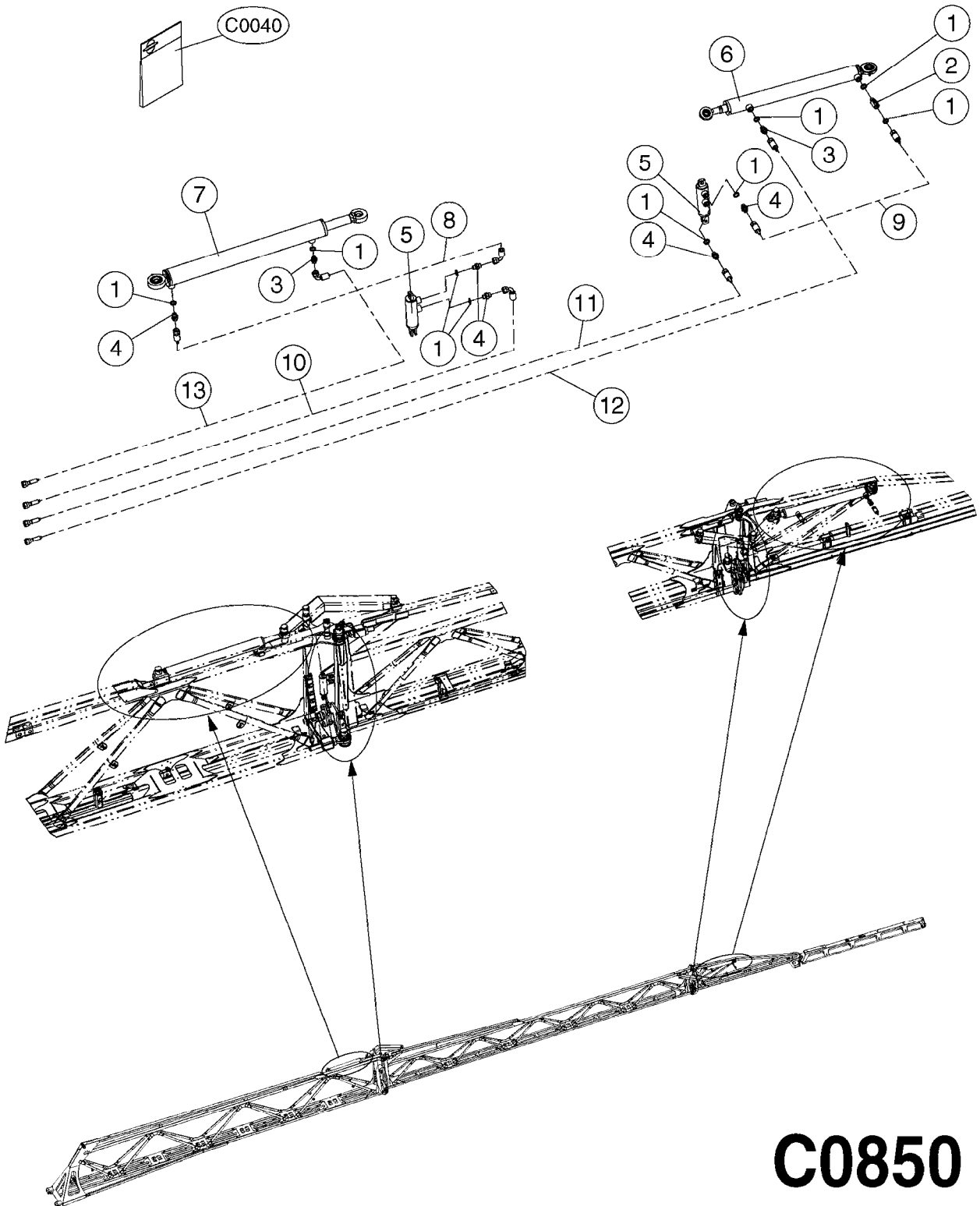
DTZ 3 FOLD HYD. OUTER 120'/132'
C0850-HIN, 05:06:17

Page

0

Date

07.02.2020 10:04



C0850



DTZ 3 FOLD HYD. OUTER 120'/132'
C0850-HIN, 05:06:17

Page 1

Date 07.02.2020 10:04

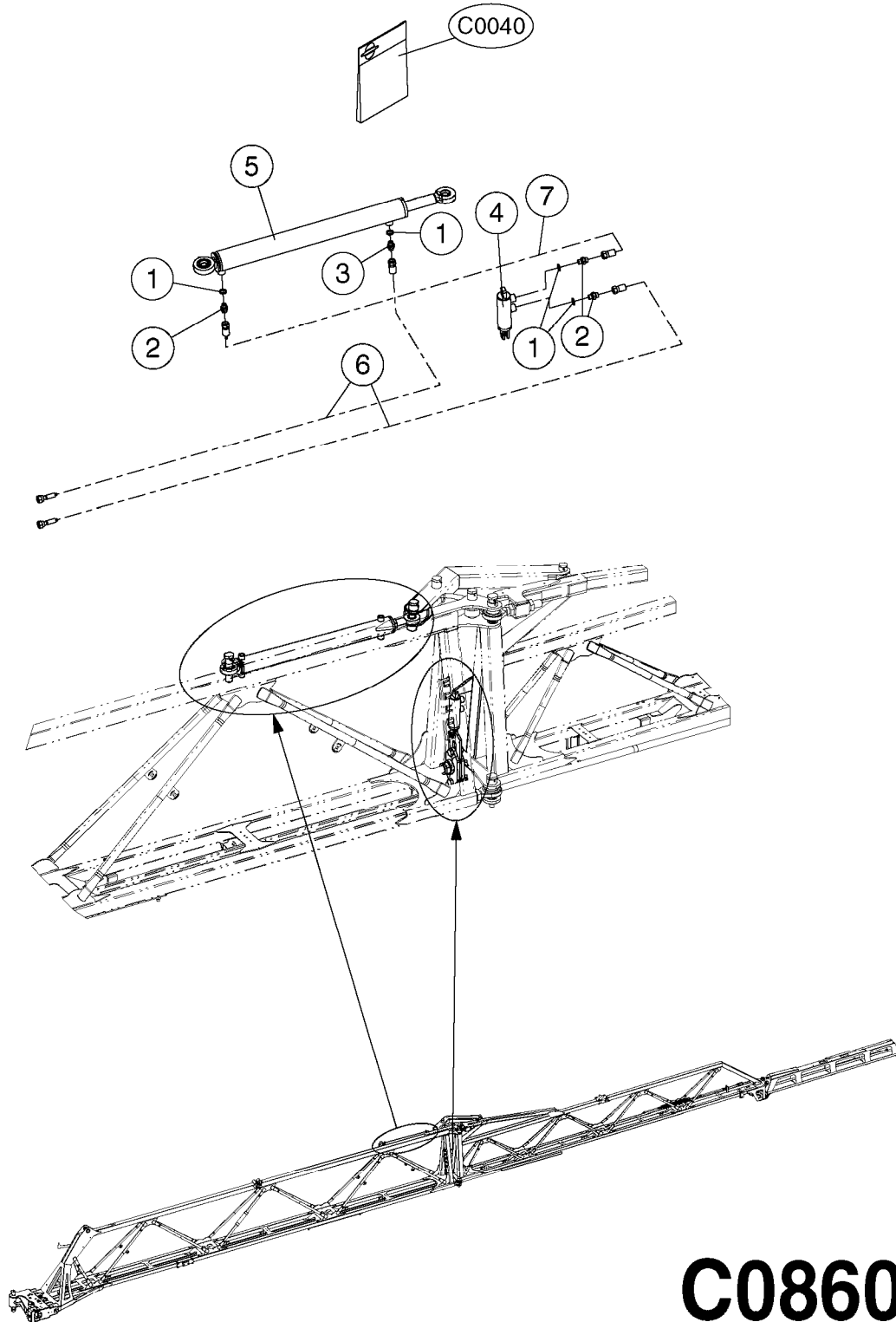
| Pos. | parts-n° | order qty | description |
|------|----------|-----------|------------------------------------|
| 1 | 241404 | 1 | DOWTY SEAL 1/4" |
| 2 | 782097 | 1 | HEX NIPPLE 1/4" ONE-WAY 0.55MM |
| 3 | 23234100 | 1 | HEX NIPPLE 1/4"-9/16" - 1.2mm |
| 4 | 23234500 | 1 | HEX NIPPLE 1/4" - 9/16" |
| 5 | 78127800 | 1 | HYDRAULIC CYLINDER 25-40 |
| 6 | 78133100 | 1 | DOB.CYL.Ø40/25-375/M20-Ø20 |
| 7 | 78133300 | 1 | DOB.CYL.Ø50/30 500 END DAMPING |
| 8 | 78502700 | 1 | HY. HO.1/4"L= 1550 STR-90° |
| 9 | 78511100 | 1 | HY.HO.1/4"L= 1450 90°-90° A=270 |
| 10 | 78521400 | 1 | HY.HO.1/4"L= 6350 STR-STR |
| 11 | 78521600 | 1 | HY.HO.1/4"L=12350 STR-90° |
| 12 | 78521700 | 1 | HY.HO.1/4"L=13100 STR-90° |
| 13 | 78528000 | 1 | HY.HO.1/4"L= 6150 STR-90° |



DTZ 2 FOLD HYD. OUTER 90'
C0860-HIN, 06:06:17

Page 0

Date 07.02.2020 10:04



C0860



DTZ 2 FOLD HYD.OUTER 90'
C0860-HIN, 06:06:17

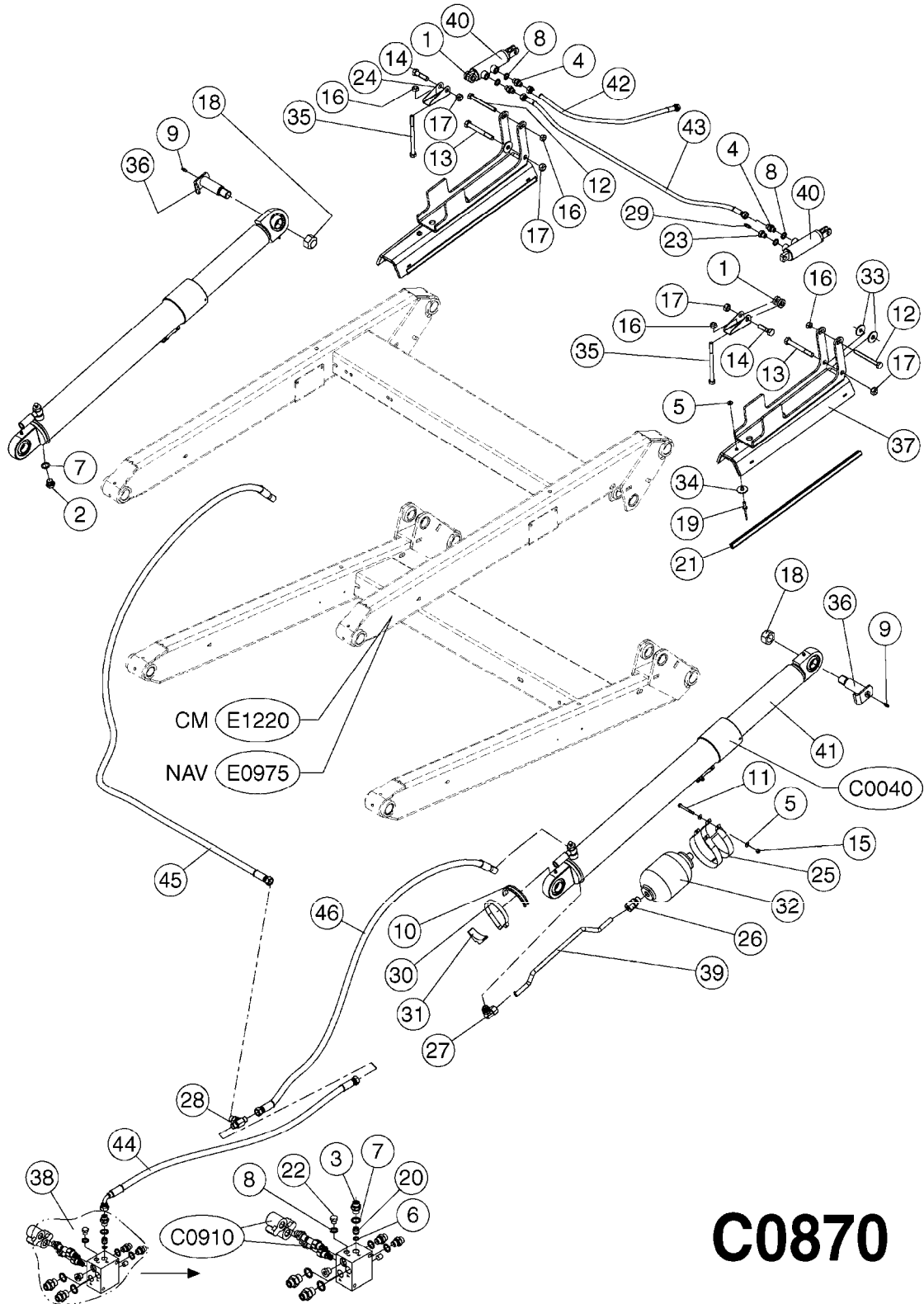
Page 1

Date 07.02.2020 10:04

| Pos. | parts-n° | order qty | description |
|------|----------|-----------|--------------------------------|
| 1 | 241404 | 1 | DOWTY SEAL 1/4" |
| 2 | 23234500 | 1 | HEX NIPPLE 1/4" - 9/16" |
| 3 | 23235600 | 1 | HEX NIPPLE 1/4"-9/16" - 0.9mm |
| 4 | 78127800 | 1 | HYDRAULIC CYLINDER 25-40 |
| 5 | 78133300 | 1 | DOB.CYL.Ø50/30 500 END DAMPING |
| 6 | 78509700 | 1 | HY.HO.1/4"L= 6000 STR-STR |
| 7 | 78509900 | 1 | HY.HO.1/4"L= 1500 STR-STR |



CM/NAV HYD. PARALIFT
C0870-HIN, 14:05:19



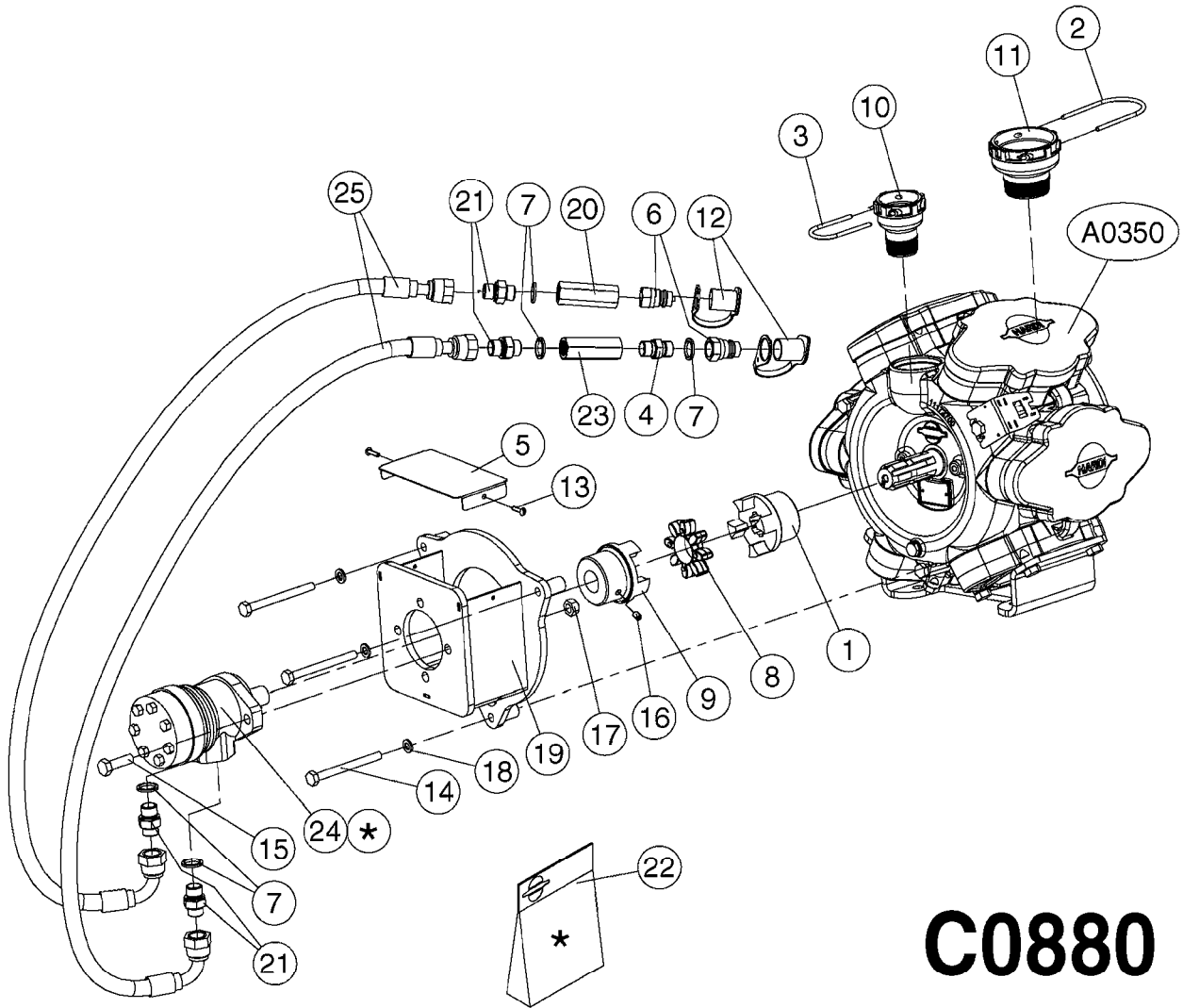
C0870



CM/NAV HYD. PARALIFT
C0870-HIN, 14:05:19

Page 1
Date 07.02.2020 10:04

| Pos. | parts-n° | order qty | description |
|------|----------|-----------|--|
| 1 | 146240 | 1 | BUSHING D26.0/13.0 L=7MM |
| 2 | 146790 | 1 | PLUG 3/8" RG L=20 SS |
| 3 | 146836 | 1 | HEX NIPPLE 3/8"X3/8" BSP |
| 4 | 146845 | 1 | HEX NIPPLE 1/4"X1/4" |
| 5 | 163936 | 1 | WASHER D15/D6.2X1 |
| 6 | 240041 | 1 | O-RING D15.1/10.3 X 2.4 |
| 7 | 240866 | 1 | DOWTYSEAL 3/8" |
| 8 | 241404 | 1 | DOWTY SEAL 1/4" |
| 9 | 283699 | 1 | GREASE NIPPLE M6X1 |
| 10 | 341301 | 1 | RUBBER HOSE CLAMP COVER 230MM |
| 11 | 411008 | 1 | BOLT HEX 8.8 DEL M6X55 |
| 12 | 421061 | 1 | BOLT HEX 8.8 DEL M10X100 DIN931 |
| 13 | 430367 | 1 | BOLT HEX 8.8 DEL M12X100 DIN931 |
| 14 | 430878 | 1 | BOLT HEX 8.8 DEL M12X45 DIN931 |
| 15 | 460261 | 1 | NUT HEX M6X1.00 LOCK DIN985 A2 SS |
| 16 | 460423 | 1 | NUT HEX M10X1.50 LOCK DIN985A2 SS |
| 17 | 460703 | 1 | NUT HEX M12X1.75 LOCK DIN985A2 SS |
| 18 | 460747 | 1 | NUT HEX M24 LOCK |
| 19 | 480816 | 1 | RIVET Ø4.8X19.0/Ø14 |
| 20 | 782062 | 1 | NON-RETURN VALVE UTV 3/8" |
| 21 | 981590 | 1 | EDGE GUARD 6-8MM X 12" |
| 22 | 14010400 | 1 | PLUG 1/4" BSP |
| 23 | 14090800 | 1 | PLUG, 1/4" W/M8 HOLE |
| 24 | 15142300 | 1 | BRACKET, LOCK CYLINDER, TDZ |
| 25 | 16277700 | 1 | PLATE 1 X 100 X 291 |
| 26 | 23233900 | 1 | HEX NIPPLE M18X1.5 - M18X1.5 |
| 27 | 23234000 | 1 | ELBOW 90* 3/8 M18X1.5 |
| 28 | 23240800 | 1 | TEE 11/16"-11/16"-11/16" ORFS |
| 29 | 28076000 | 1 | BLEED SCREW M8 |
| 30 | 28091200 | 1 | CLAMP GEAR D25-100 B=12.7 SS |
| 31 | 28098800 | 1 | TUBE HOLDER F. SUS. PARALIFT ACUM. |
| 32 | 28103700 | 1 | ACCUMULATOR 170 BAR TDZ PARALI |
| 33 | 39122500 | 1 | DISC D36, HOLE D12.5 T=3 |
| 34 | 39131100 | 1 | WASHER 32X5 T=15 |
| 35 | 42126800 | 1 | BOLT HEX 8.8 DEL M10X140 |
| 36 | 61061200 | 1 | PIN, Ø30/M24 L=105 |
| 37 | 61063700 | 1 | PARALIFT HYD LOCK, L=526, RED |
| 37 | 61079900 | 1 | PARALIFT HYD LOCK, L=420, RED |
| 38 | 72286200 | 1 | HYD. BLOCK COMP. PARA-LIFT NCM CM 8500/10000, NAV 4500/6200 |
| 38 | 72809300 | 1 | PARALIFT HYD.BLOCK ASSY.CM'11 CM 4500/5500/7000 |
| 39 | 72927000 | 1 | HYD. TUBE, MOUNTED, PARALIFT SUS, '13 |
| 40 | 78127800 | 1 | HYDRAULIC CYLINDER 25-40 |
| 41 | 78131200 | 1 | PLUNGE CYLINDER 70/838 2X30 |
| 42 | 78508800 | 1 | HY.HO.1/4"L= 2200 STR-STR |
| 42 | 78512100 | 1 | HY.HO.1/4"L= 1250 STR-90° |
| 43 | 78517600 | 1 | HY.HO.1/4"L= 930 STR-STR |
| 44 | 78560100 | 1 | HY.HO.3/8"L= 900 STR-90° |
| 45 | 78560200 | 1 | HY.HO.3/8"L= 2000 STR-3/8BAN |
| 46 | 78560300 | 1 | HY.HO.3/8"L= 1250 STR-3/8BAN CM MODELS |
| 46 | 78565000 | 1 | HY.HO.3/8"L= 1400 STR-BANJO NAV MODELS |





HYD. DRIVE PUMP 464H
C0880-HIN, 17:08:17

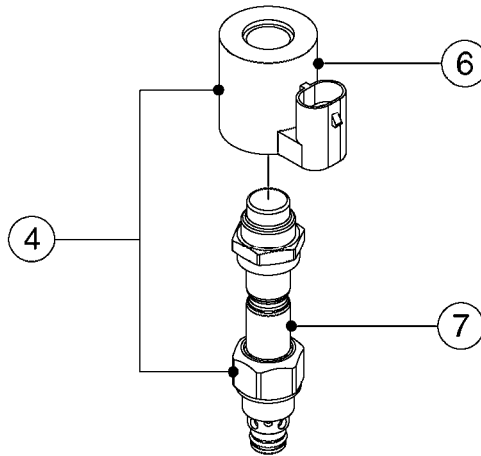
Page 1
Date 07.02.2020 10:04

| Pos. | parts-n° | order qty | description |
|------|----------|-----------|---|
| 1 | 111438 | 1 | HUB F.CLUTCH 361/460 PUMP |
| 2 | 145996 | 1 | FITT.DK S-67 FORK |
| 3 | 145997 | 1 | FITT.DK S-93 FORK |
| 4 | 147132 | 1 | HEX NIPPLE 1/2"X1/2" BSP DEL |
| 5 | 160212 | 1 | PLATE 1.0 X 90 X 210 |
| 6 | 230311 | 1 | QUICK COUPLING 1/2" |
| 7 | 241356 | 1 | DOWTYSEAL 1/2" |
| 8 | 283916 | 1 | TOOTHED RIM FOR CLUTCH |
| 9 | 284521 | 1 | COUPLING HALF CYL.D25MM-KEY |
| 10 | 322322 | 1 | FITT.DK S-67 X 1-1/4"BSP MALE |
| 11 | 322324 | 1 | FITTING S93 FEMALE - BSP 2" MALE |
| 12 | 334206 | 1 | DUST HOOD FOR HY-COUPLING |
| 13 | 410664 | 1 | BOLT HEX M5 X 20 |
| 14 | 421214 | 1 | BOLT HEX 8.8 DEL M10X110 |
| 15 | 430721 | 1 | BOLT HEX 8.8 DEL M12X40 FT |
| 16 | 450052 | 1 | SCREW SET M8X10 BLACK ALLAN |
| 17 | 460703 | 1 | NUT HEX M12X1.75 LOCK DIN985A2 SS |
| 18 | 470127 | 1 | WASHER D15D10X2 M10 LOCK |
| 19 | 637112 | 1 | MOUNT BRACKET F.HYD MOTOR 463 |
| 20 | 782154 | 1 | CHECK VALVE 284794 (BLACK) |
| 21 | 23235300 | 1 | HEX NIPPLE 1/2"-13/16" |
| 22 | 28126100 | 1 | SEAL KIT FOR OMR MOTOR |
| 23 | 78219800 | 1 | HY. PRES. COMP. FLOW V., 1/2", 36L/MIN, PAINTED |
| 24 | 78303700 | 1 | HY. MOTOR OMR65, PAINTED |
| 25 | 78503403 | 1 | HY. HO.1/2"L=5100/STR-90 NAVIGATOR |
| 25 | 78503803 | 1 | HY.HO.1/2"L= 2300 STR-90° CM 55/7000 |
| 25 | 78504103 | 1 | HY.HO.1/2"L= 2085 STR-90° CM 4500 |

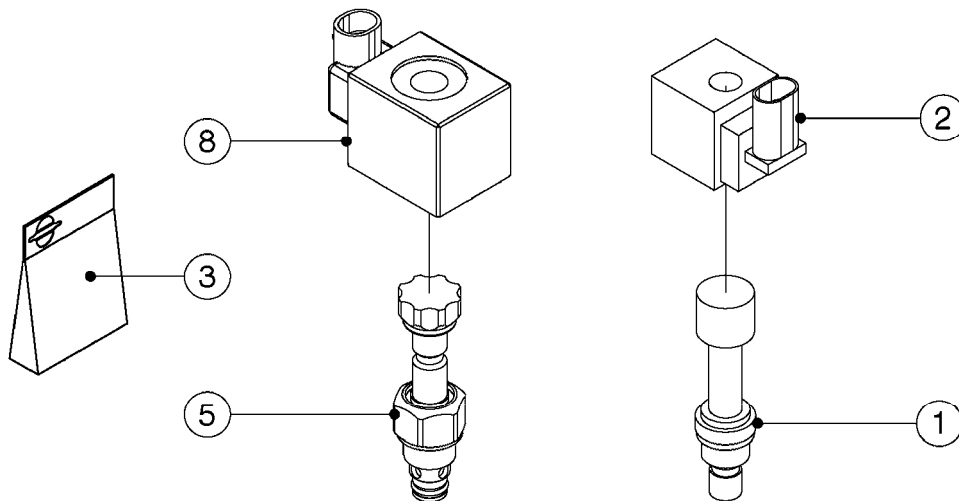


CANNOT MIX SOLENOID VALVES AND COILS
IF IN DOUBT, ORDER COMPLETE SET (4)

CURRENT STYLE (2018)



OLD STYLES (PRE 2018)



C0910



HYDRAULIC SOLENOIDS
C0910-HIN, 13:05:19

Page 1

Date 07.02.2020 10:04

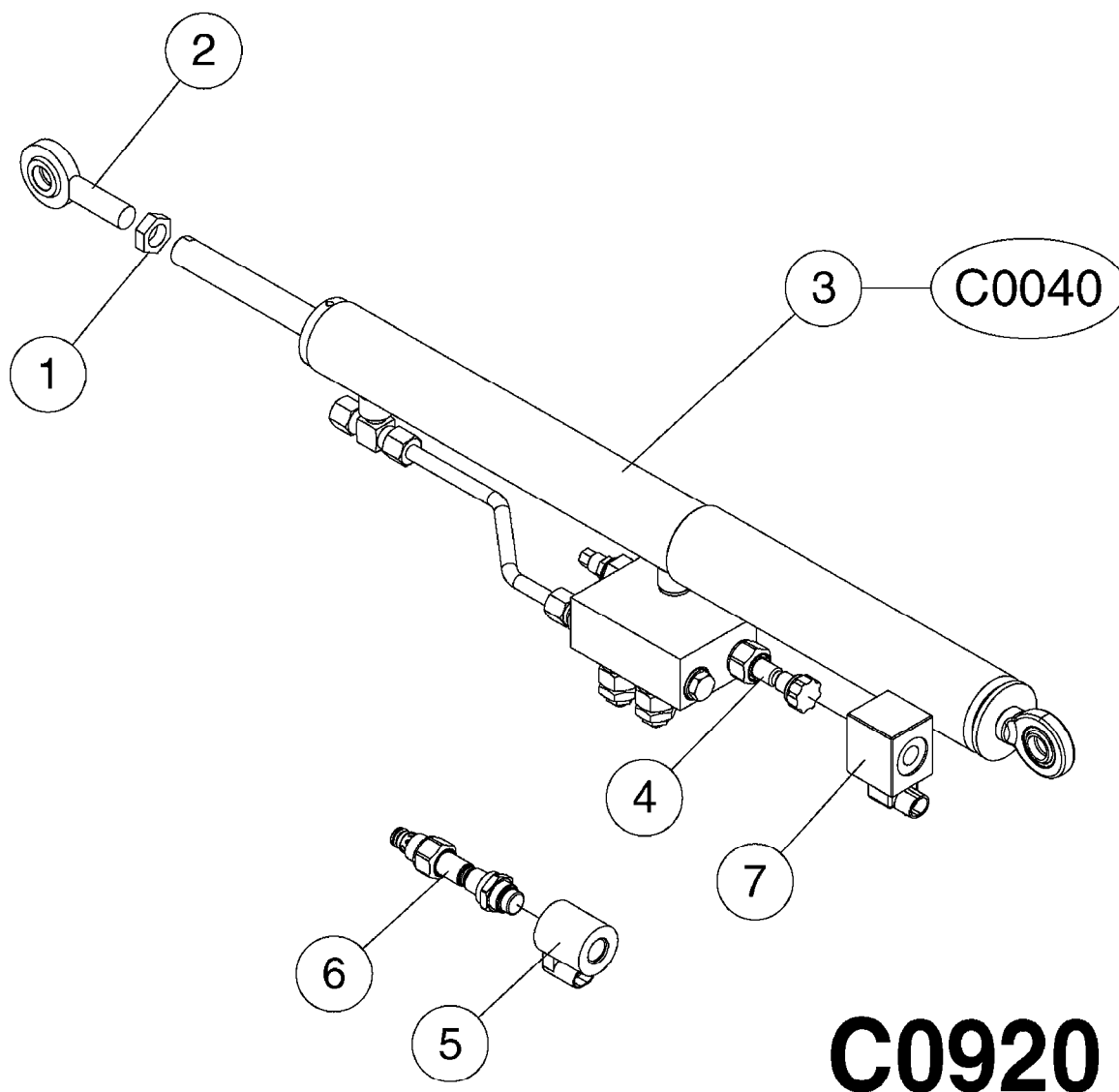
| Pos. | parts-n° | order qty | description |
|------|----------|-----------|--|
| 1 | 782129 | 1 | SOLENOID VALVE 25L, 3/4"NC |
| 2 | 782135 | 1 | SOLENOID W. AMP F.VALVE 782129 |
| 3 | 28100800 | 1 | SEAL KIT F. 782129/78215500 PRE 2018 ONLY |
| 4 | 75586600 | 1 | SOLENOID VALVE NC, + COIL |
| 5 | 78215500 | 1 | HY SOLENOID VALVE 40L 3/4"NC |
| 6 | 78222700 | 1 | COIL W. AMP |
| 7 | 78222800 | 1 | SOLENOID VALVE NC, DOUBLE LOCK |
| 8 | 78602100 | 1 | MAGNET M.AMP/DIODE KIT 08 |



HYD. DAMPER, LOCKING CYLINDER
C0920-HIN, 05:06:19

Page 0

Date 07.02.2020 10:04



C0920

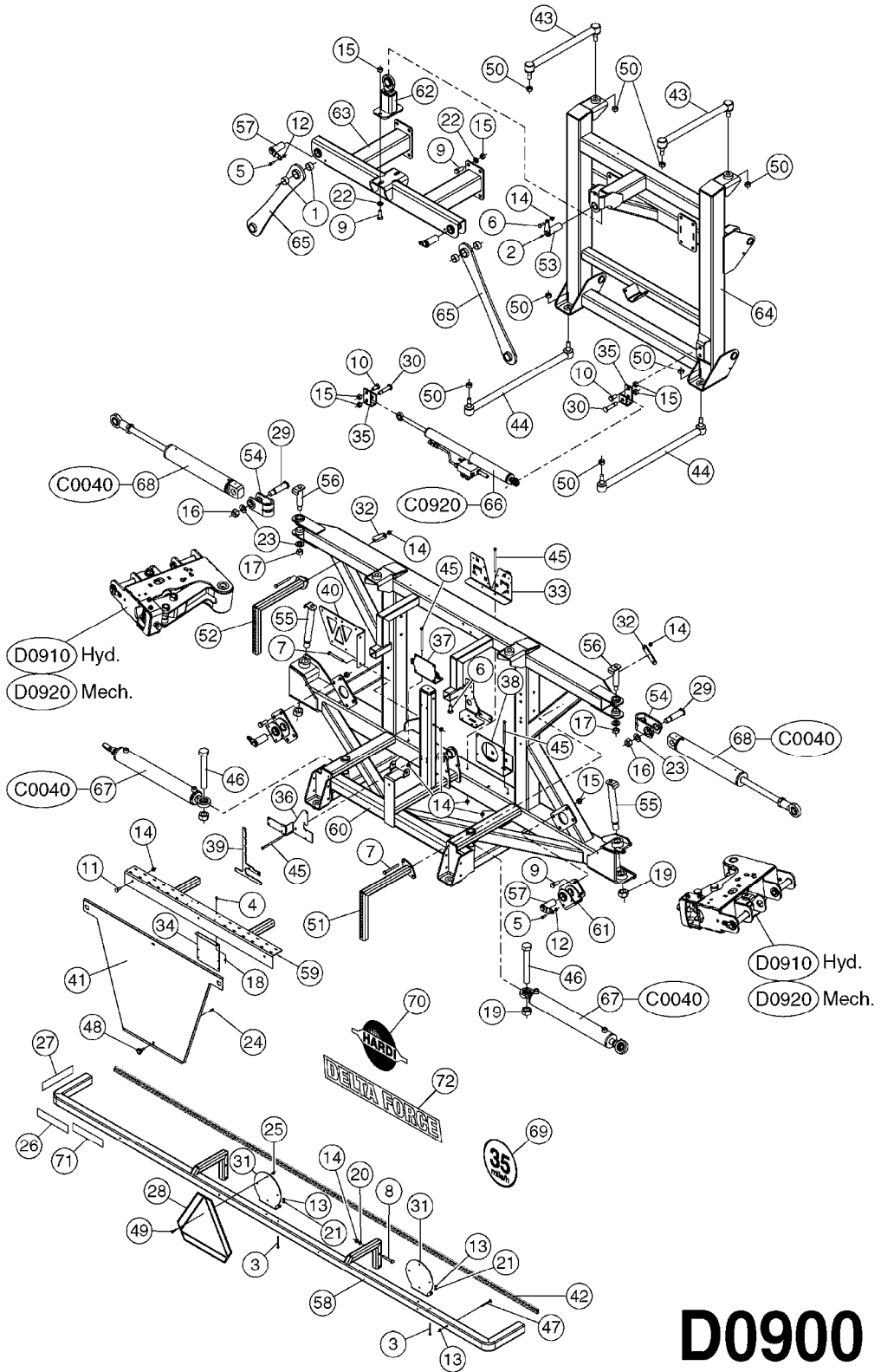


HYD. DAMPER, LOCKING CYLINDER
C0920-HIN, 05:06:19

Page 1

Date 07.02.2020 10:04

| Pos. | parts-n° | order qty | description |
|------|----------|-----------|---|
| 1 | 461198 | 1 | NUT HEX M16X2 JAMB |
| 2 | 21091900 | 1 | LINK HEAD M16 x D17 DELTA |
| 3 | 78126000 | 1 | CYLINDER,DAMPNER,LOCKING |
| 4 | 78215500 | 1 | HY SOLENOID VALVE 40L 3/4"NC PRE 2019 |
| 5 | 78222700 | 1 | COIL W. AMP POST 2019 |
| 6 | 78223000 | 1 | SOLENOID VALVE NC, PUSH/TWISH OVERRIDE, DOUBLE LOC POST 2019 |
| 7 | 78602100 | 1 | MAGNET M.AMP/DIODE KIT 08 PRE 2019 |





DTZ TRAPEZE CENTER
D0900-HIN, 05:06:19

Page 1
Date 07.02.2020 10:04

| Pos. | parts-n° | order qty | description |
|------|----------|-----------|---------------------------------------|
| 1 | 210866 | 1 | BUSHING D39/35 L=20 |
| 2 | 283699 | 1 | GREASE NIPPLE M6X1 |
| 3 | 410384 | 1 | BOLT HEX 8.8 DEL M6X65 |
| 4 | 410406 | 1 | BOLT HEX 8.8 DEL M5X16 FT |
| 5 | 420582 | 1 | BOLT HEX 8.8 DEL M8X20 FT A2 |
| 6 | 420604 | 1 | BOLT HEX 8.8 DEL M10X25 FT DIN933 |
| 7 | 421061 | 1 | BOLT HEX 8.8 DEL M10X100 DIN931 |
| 8 | 421083 | 1 | BOLT HEX 8.8 DEL M10X65 |
| 9 | 430581 | 1 | BOLT HEX 8.8 DEL M16X40 FT |
| 10 | 430684 | 1 | BOLT HEX 8.8 DEL M16X30 FT |
| 11 | 440737 | 1 | BOLT CARRIAGE M10x25 SS |
| 12 | 460143 | 1 | SELF LOCK NUT M8 SST A2 DIN985 |
| 13 | 460261 | 1 | NUT HEX M6X1.00 LOCK DIN985 A2 SS |
| 14 | 460423 | 1 | NUT HEX M10X1.50 LOCK DIN985A2 SS |
| 15 | 460585 | 1 | LOCKING NUT M16 DIN985 A2 SS |
| 16 | 460747 | 1 | NUT HEX M24 LOCK |
| 17 | 460806 | 1 | NUT HEX M20X2.50 LOCK DIN985A2 SS |
| 18 | 461217 | 1 | NUT HEX M5 LOCK |
| 19 | 461316 | 1 | NUT HEX LOCK M30X3.5 DIN 985 |
| 20 | 471122 | 1 | WASHER, M10, Ø20/10.5X 2.0, SS |
| 21 | 471125 | 1 | WASHER M6U 6.4X14X1.2,A2 SS |
| 22 | 471128 | 1 | WASHER, M16, Ø30/17.0X 3.0, SS |
| 23 | 471130 | 1 | WASHER, M24, Ø44/25.0X 4.0, SS |
| 24 | 480811 | 1 | BLIND FASTENER M6 STAINLESS |
| 25 | 10497603 | 1 | NUT HEX NC 1/4 NYLOCK Z |
| 26 | 10533803 | 1 | DECAL REFLECTIVE RED 50X230 |
| 27 | 10533903 | 1 | DECAL REFLECTIVE AMBER 50X230 |
| 28 | 10601403 | 1 | SMV SIGN POLYSTYRENE |
| 29 | 14057100 | 1 | PIN Ø30/M24 L=89 DELTA |
| 30 | 14074700 | 1 | PIN Ø16.8/M16 (B) L=85 |
| 31 | 16170103 | 1 | BRACKET, DECAL, SPEED LIMIT, PRESIDIO |
| 32 | 16220803 | 1 | PLATE, 1/4", FLAT, 30X120, 2 HOLE RED |
| 33 | 16226203 | 1 | PLATE, FOLDED, 220X310X1/8", RED |
| 34 | 16339600 | 1 | MOUNT PLATE F.JUNCTION BOX,TDZ |
| 35 | 16448400 | 1 | BRACKET F. LOCK CYL. DDZ CENTER |
| 36 | 16452800 | 1 | FLOW DIVIDER BRACKET PLATE |
| 37 | 16479400 | 1 | PLATE F. YAW BLOCK |
| 38 | 16479600 | 1 | PLATE F. JUNCTION BOX |
| 39 | 16482600 | 1 | PLATE PENDULUM WIRING |
| 40 | 16482800 | 1 | PLATE F. ACC. DDZ |
| 41 | 16504600 | 1 | SHIELD F. DDZ CENTER '16 |
| 42 | 19489600 | 1 | ALUPROFILE 30X10 L=3.20 M |
| 43 | 28160100 | 1 | LINKARM M18 Ø36 L=500 DDZ |
| 44 | 28160200 | 1 | LINKARM M18 Ø36 L=745 DDZ |
| 45 | 42126800 | 1 | BOLT HEX 8.8 DEL M10X140 |
| 46 | 43100100 | 1 | BOLT HEX 8.8 DEL M30X220 DIN931 |
| 47 | 44075100 | 1 | BOLT, CARRIAGE, M6X70 DIN603 SS |
| 48 | 45001500 | 1 | SCREW THUMB PLASTIC HEAD M6x20 |
| 49 | 45002203 | 1 | SCREW TPH MS 1/4-20X1 ZNCLR |
| 50 | 46133000 | 1 | NUT HEX LOCK M18 x 1.5 DIN 980 V |
| 51 | 61027103 | 1 | BRKT, HOSE RIGHT, DTZ, RED |
| 52 | 61027303 | 1 | BRKT, HOSE LEFT, DTZ, RED |
| 53 | 61037600 | 1 | PIN Ø34.8/L=94 |
| 54 | 61078300 | 1 | SWIVEL PART F. TILT TDZ, RED |
| 55 | 61099100 | 1 | PIN Ø35/M30 L=242 |
| 56 | 61099200 | 1 | PINBOLT Ø30/M20 L=114 |
| 57 | 61100200 | 1 | PIN Ø34,8 L=80, DTZ |
| 58 | 63050903 | 1 | BUMPER, DELTA FORCE, RED |
| 59 | 63100400 | 1 | MOUNT BRACKET FOR EFC, TDZ |
| 60 | 63204400 | 1 | WIDE CENTERSECTION 3.5M DDZ PAINTED |
| 61 | 63204600 | 1 | TRAPEZ BOTTOM MOUNT DTZ PAINTED |

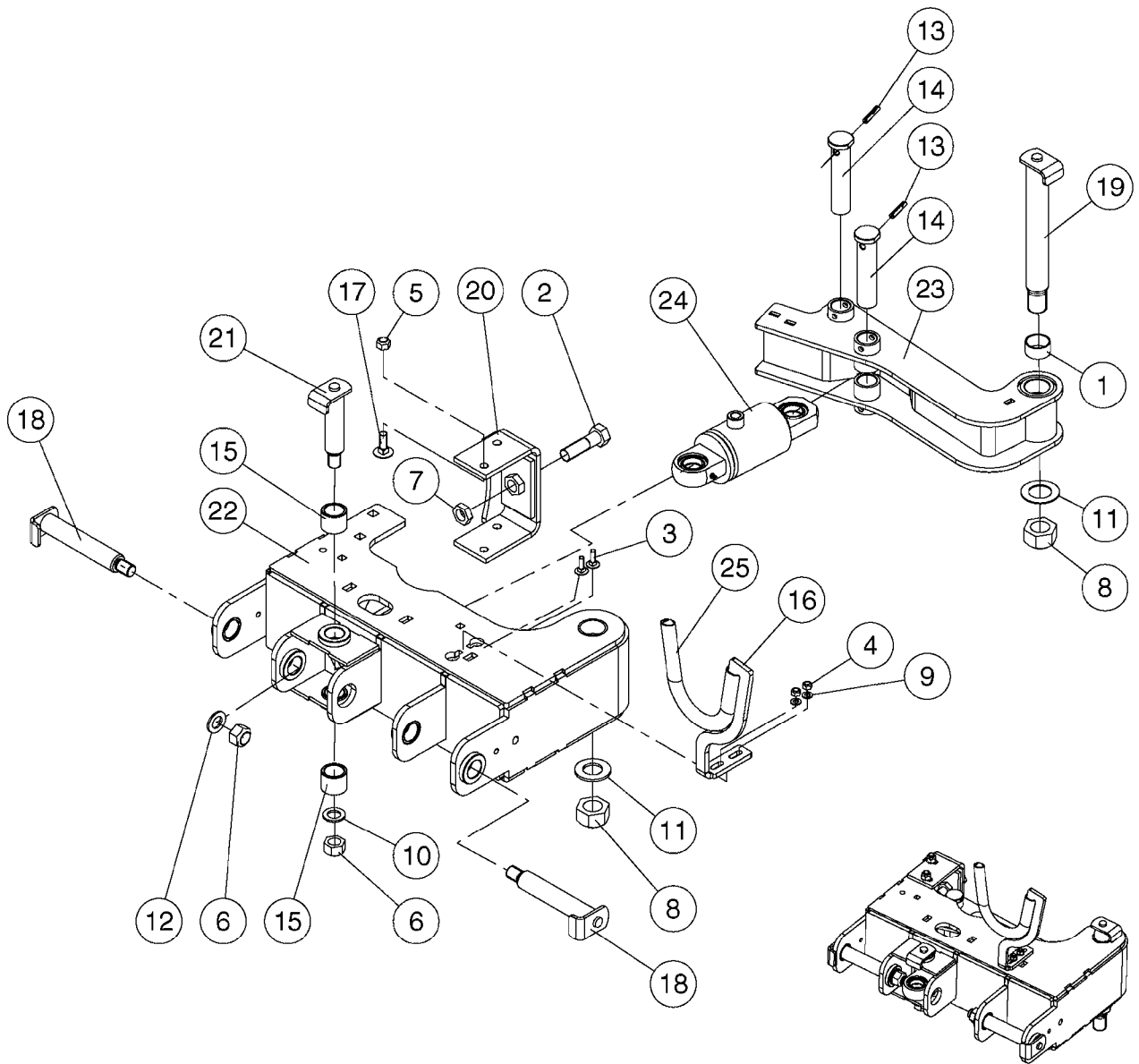


DTZ TRAPEZE CENTER
D0900-HIN, 05:06:19

Page 2

Date 07.02.2020 10:04

| Pos. | parts-n° | order qty | description |
|------|----------|-----------|--|
| 62 | 63204800 | 1 | TRAPEZ SUPPORT ARM DTZ PAINTED |
| 63 | 63205000 | 1 | TRAPEZ TOP MOUNT DTZ PAINTED |
| 64 | 63205200 | 1 | LIFT FRAME F. TRAPEZ DDZ PAINTED |
| 65 | 63205600 | 1 | TRAPEZ ARM DTZ PAINTED |
| 66 | 78126000 | 1 | CYLINDER,DAMPNER,LOCKING |
| 67 | 78132700 | 1 | DOB.CYL.Ø70/30-436/ Ø30 |
| 68 | 78132800 | 1 | DOB.CYL.Ø70/30-360/M30 SPEC. |
| 69 | 97616003 | 1 | DECAL- SPEED 35 MPH |
| 69 | 97616103 | 1 | DECAL- SPEED 25 MPH |
| 69 | 97617103 | 1 | DECAL - SPEED 30 MPH |
| 70 | 97617003 | 1 | DECAL - HARDI 3D LOGO F.TANK 335 X 210 |
| 71 | 97619903 | 1 | DECAL FLUORESCENT ORANGE 50X230 |
| 72 | 97847100 | 1 | LABEL "DELTA FORCE" |



D0910

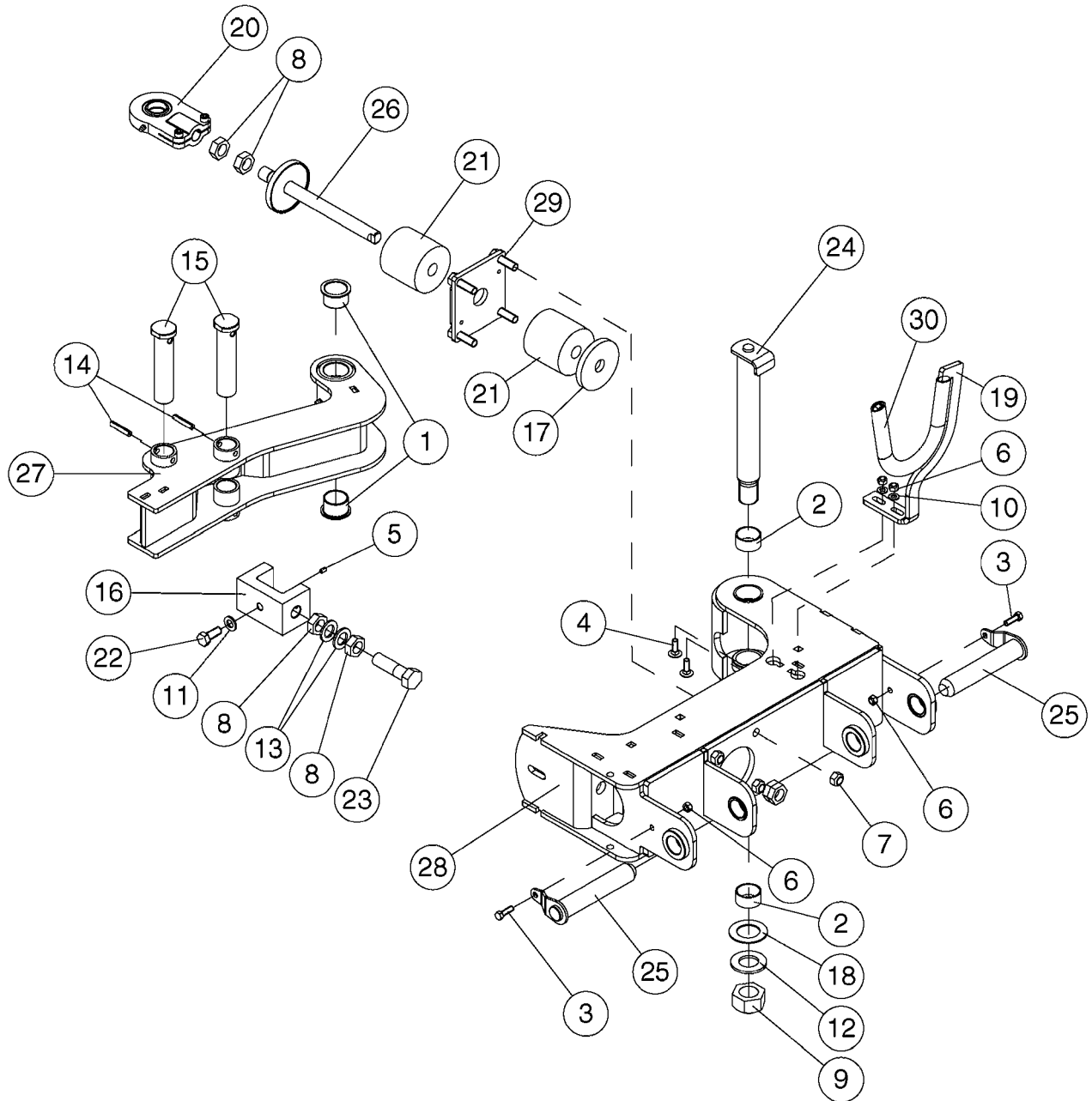


DTZ HYDRAULIC YAW
D0910-HIN, 17:05:17

Page 1

Date 07.02.2020 10:04

| Pos. | parts-n° | order qty | description |
|------|----------|-----------|-----------------------------------|
| 1 | 210866 | 1 | BUSHING D39/35 L=20 |
| 2 | 430920 | 1 | BOLT HEX M20x80MM |
| 3 | 440735 | 1 | M8 X 30 COACH BOLT |
| 4 | 460143 | 1 | SELF LOCK NUT M8 SST A2 DIN985 |
| 5 | 460703 | 1 | NUT HEX M12X1.75 LOCK DIN985A2 SS |
| 6 | 460806 | 1 | NUT HEX M20X2.50 LOCK DIN985A2 SS |
| 7 | 461228 | 1 | NUT HEX M20 |
| 8 | 461316 | 1 | NUT HEX LOCK M30X3.5 DIN 985 |
| 9 | 471126 | 1 | WASHER, M8, Ø16/ 8.4X 1.6, SS |
| 10 | 471129 | 1 | WASHER, M20, Ø37/21.0X 3.0, SS |
| 11 | 471131 | 1 | WASHER, M30, Ø56/31.0X 4.0, SS |
| 12 | 471180 | 1 | LOCK WASHER NORDLOCK M20 ELZ |
| 13 | 480735 | 1 | TENSION PIN D 8X40 DIN 1481 |
| 14 | 14141200 | 1 | BEARING BOLT Ø30 L=129 |
| 15 | 14141400 | 1 | BUSH. Ø40/Ø30,5 L=33 |
| 16 | 16485000 | 1 | HOSEBRACKET DTZ |
| 17 | 45001300 | 1 | CARRIAGE BOLT M12X35 DIN603 A2 |
| 18 | 61058000 | 1 | PIN D30 L=158 M20 |
| 19 | 61069100 | 1 | PIN D29.8 L=90/M24 DEL |
| 20 | 61080500 | 1 | LOCKPIECE PIVOT DTZ PAINTED |
| 21 | 61098300 | 1 | PIN, Ø30/M20 L= 131 |
| 22 | 63123400 | 1 | OUTER PART F.PIVOT DTZ PAINTED |
| 23 | 63123600 | 1 | INNER PART F.PIVOT DTZ PAINTED |
| 24 | 78133000 | 1 | PLUNGECYL. Ø70-40 /2XØ30 |
| 25 | 92703203 | 1 | HOSE R X3/4" X300PSI WP X0012" |



D0920

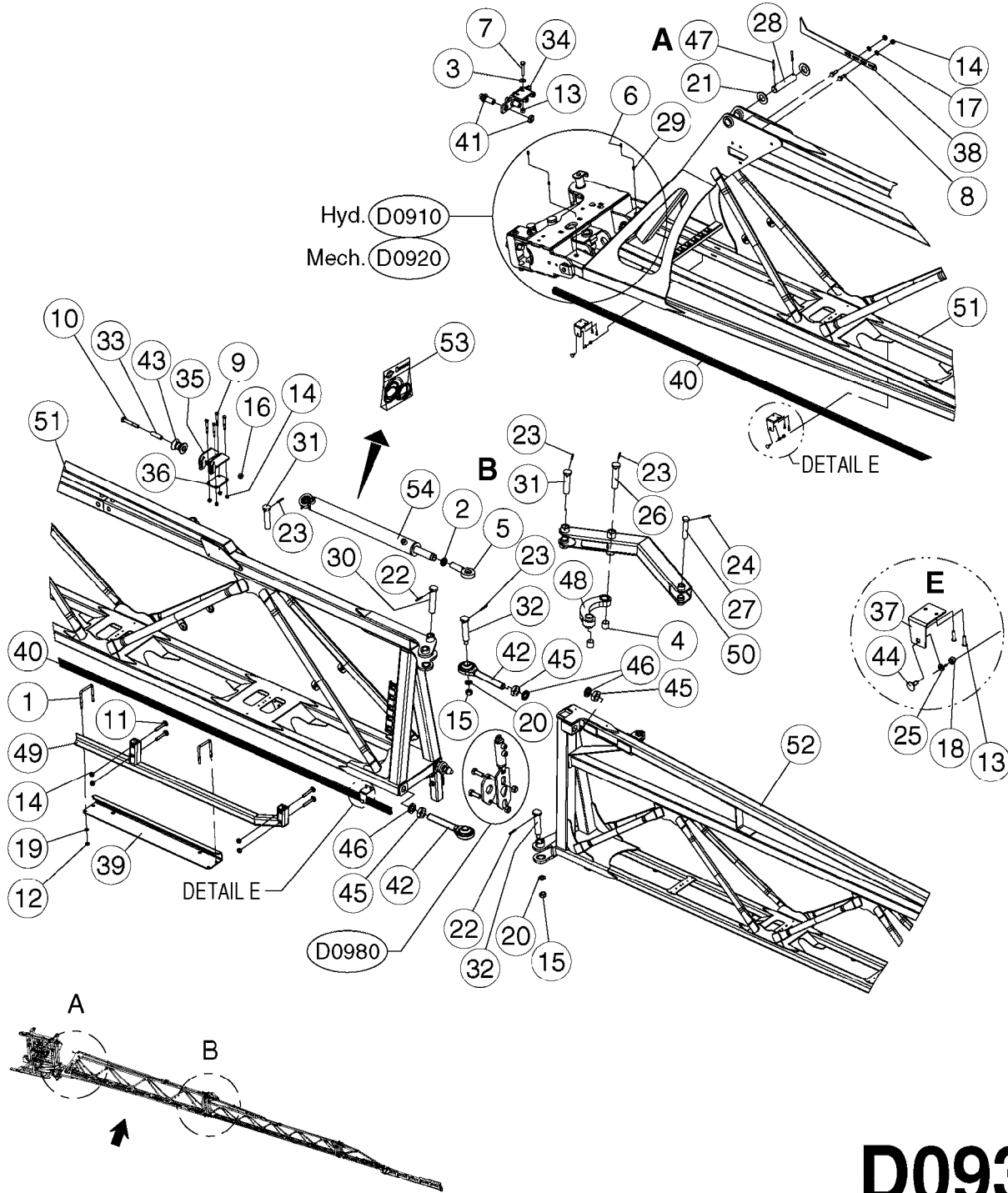


DTZ MECHANICAL YAW
D0920-HIN, 18:05:17

Page 1

Date 07.02.2020 10:04

| Pos. | parts-n° | order qty | description |
|------|----------|-----------|-----------------------------------|
| 1 | 210811 | 1 | SLIDE BEARING FLANGE D35/D39 |
| 2 | 210866 | 1 | BUSHING D39/35 L=20 |
| 3 | 421046 | 1 | BOLT HEX M8X25/25 A2 SS DIN933 |
| 4 | 440735 | 1 | M8 X 30 COACH BOLT |
| 5 | 450144 | 1 | SCREW M6X10 8.8 |
| 6 | 460143 | 1 | SELF LOCK NUT M8 SST A2 DIN985 |
| 7 | 460703 | 1 | NUT HEX M12X1.75 LOCK DIN985A2 SS |
| 8 | 461251 | 1 | NUT HEX M20 X 2.5 JAMB |
| 9 | 461316 | 1 | NUT HEX LOCK M30X3.5 DIN 985 |
| 10 | 471126 | 1 | WASHER, M8, Ø16/ 8.4X 1.6, SS |
| 11 | 471127 | 1 | WASHER, M12, Ø24/13X24X2.5 SS |
| 12 | 471131 | 1 | WASHER, M30, Ø56/31.0X 4.0, SS |
| 13 | 471180 | 1 | LOCK WASHER NORDLOCK M20 ELZ |
| 14 | 480735 | 1 | TENSION PIN D 8X40 DIN 1481 |
| 15 | 14141200 | 1 | BEARING BOLT Ø30 L=129 |
| 16 | 14146600 | 1 | CONSOLE FOR RUBBER BUFFER |
| 17 | 14150400 | 1 | DOCK WASHER FOR RUBBER BUFFER |
| 18 | 16448500 | 1 | WASHER, 2XØ60/Ø36, SS. |
| 19 | 16485000 | 1 | HOSEBRACKET DTZ |
| 20 | 28168900 | 1 | LINK EYE SURFACE DELTA |
| 21 | 39146300 | 1 | RUBBER BUFFER Ø80X21 L=80 |
| 22 | 43099200 | 1 | BOLT HEX SS M12 X 30 DIN933 A4 |
| 23 | 43100700 | 1 | BOLT HEX SS M20 X 90 |
| 24 | 61099100 | 1 | PIN Ø35/M30 L=242 |
| 25 | 61100800 | 1 | PIN Ø30 L=160 |
| 26 | 61104800 | 1 | BOLT F. RUBBER BUFFER |
| 27 | 63123600 | 1 | INNER PART F.PIVOT DTZ PAINTED |
| 28 | 63151300 | 1 | OUTER TURNJOINT DDZ PAINT |
| 29 | 63208000 | 1 | RUBBER BUFFER MOUNT |
| 30 | 92703203 | 1 | HOSE R X3/4" X300PSI WP X0012" |



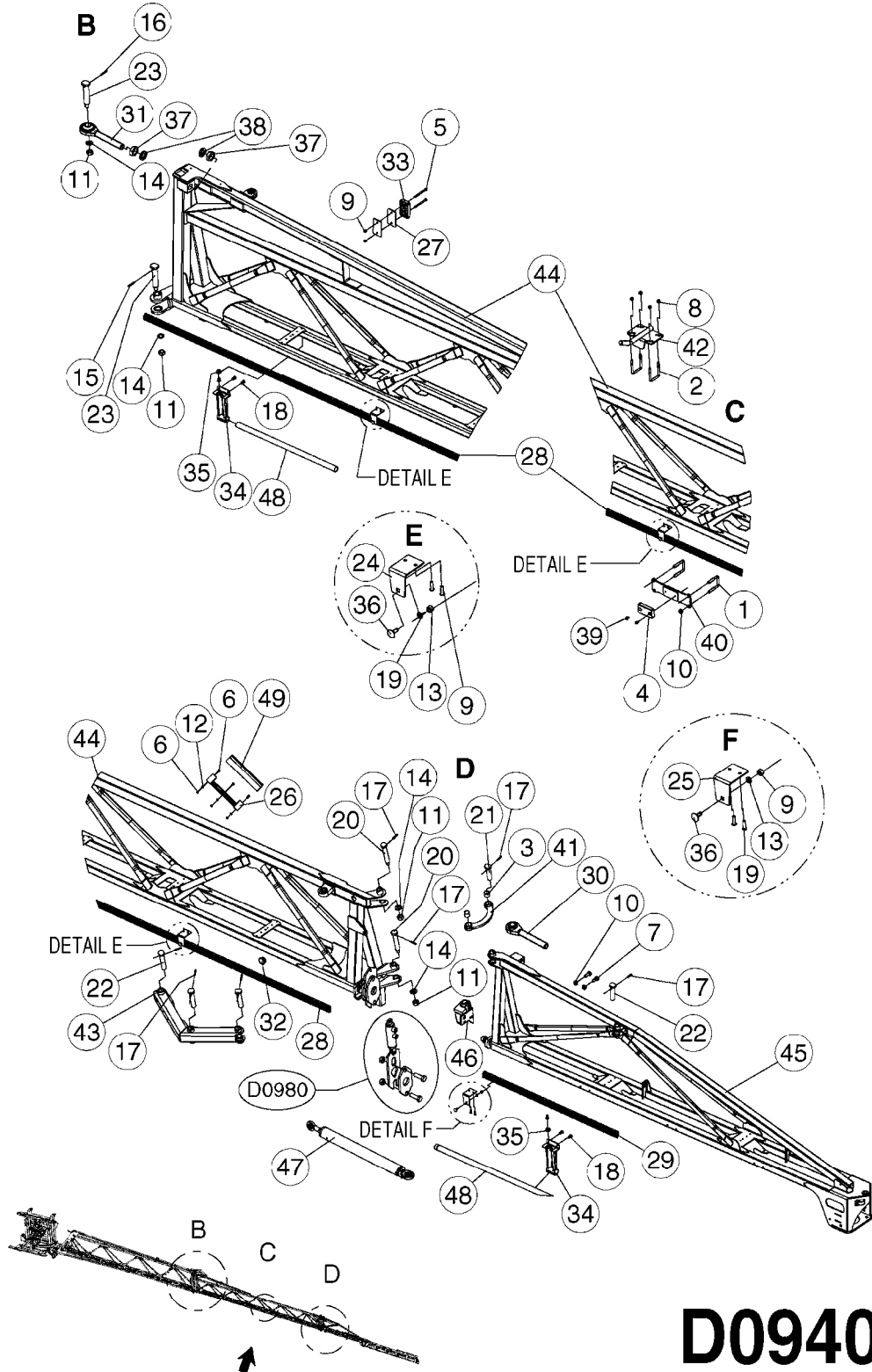
D0930



DTZ 120'/132' BOOM 3 FOLD
INNER
D0930-HIN, 15:07:19

Page 1
Date 07.02.2020 10:04

| Pos. | parts-n° | order qty | description |
|------|----------|-----------|---|
| 1 | 146843 | 1 | BOLT U M8 F.60 x 60 |
| 2 | 147128 | 1 | NUT M24X2 NV-32 |
| 3 | 163936 | 1 | WASHER D15/D6.2X1 |
| 4 | 210835 | 1 | BUSHING D28/25 L=25 |
| 5 | 210878 | 1 | LINK HEAD M24 x 55 W/ GREASE NIP. DELTA |
| 6 | 283699 | 1 | GREASE NIPPLE M6X1 |
| 7 | 418014 | 1 | BOLT HEX M6X35/18 SS A2 DIN931 |
| 8 | 421002 | 1 | BOLT HEX 8.8 DEL M10X30 FT DIN933 |
| 9 | 421024 | 1 | BOLT HEX 8.8 DEL M8X60 |
| 10 | 430846 | 1 | BOLT HEX 8.8 DEL M12X80 |
| 11 | 440718 | 1 | BOLT CRG M10 X 65 DEL |
| 12 | 460143 | 1 | SELF LOCK NUT M8 SST A2 DIN985 |
| 13 | 460261 | 1 | NUT HEX M6X1.00 LOCK DIN985 A2 SS |
| 14 | 460423 | 1 | NUT HEX M10X1.50 LOCK DIN985A2 SS |
| 15 | 460585 | 1 | LOCKING NUT M16 DIN985 A2 SS |
| 16 | 460703 | 1 | NUT HEX M12X1.75 LOCK DIN985A2 SS |
| 17 | 471122 | 1 | WASHER, M10, Ø20/10.5X 2.0, SS |
| 18 | 471125 | 1 | WASHER M6U 6.4X14X1.2,A2 SS |
| 19 | 471126 | 1 | WASHER, M8, Ø16/ 8.4X 1.6, SS |
| 20 | 471128 | 1 | WASHER, M16, Ø30/17.0X 3.0, SS |
| 21 | 471131 | 1 | WASHER, M30, Ø56/31.0X 4.0, SS |
| 22 | 480717 | 1 | PIN E 5X40 SST |
| 23 | 480719 | 1 | PIN D5 X 36 STAINLESS |
| 24 | 480730 | 1 | PIN ROLL 5X30 STAINLESS STEEL |
| 25 | 480806 | 1 | RIVET, POP, Ø4.8X14/Ø9.5 SS |
| 26 | 14059800 | 1 | PIN Ø25 L=122/114 |
| 27 | 14060200 | 1 | PIN Ø20.0 L=101/93 |
| 28 | 14096200 | 1 | PIN Ø29,9/6 L=135 |
| 29 | 14137100 | 1 | GREASE NIPPLE EXTENDER 10MM |
| 30 | 14140600 | 1 | PIN Ø25.4 L=131/123 |
| 31 | 14141000 | 1 | PIN Ø25 L=111/103 |
| 32 | 14141100 | 1 | PINBOLT Ø25.4 L=104/21 M16 |
| 33 | 15133700 | 1 | BUSHING Ø16.0 X1.5 L=54 |
| 34 | 16230003 | 1 | PLATE, FOLDED, 3/16", 120X71, RED |
| 35 | 16255100 | 1 | BOOM BRACKET |
| 36 | 16255200 | 1 | PLATE F. BOOM BRACKET RED DDZ |
| 37 | 16406700 | 1 | BRACKET, ALUPROFILE, 54MM LONG |
| 38 | 16451500 | 1 | TILT INDICATOR DDZ |
| 39 | 16451700 | 1 | INNER WING TRANSPORT RAIL |
| 40 | 19487600 | 1 | ALUPROFILE 30X10 L=6.35 M |
| 41 | 23241500 | 1 | HYD.FIT. BULKHEAD 9/16" |
| 42 | 28159800 | 1 | EYEBOLT Ø25.4 M27X3 |
| 43 | 39141200 | 1 | PLASTIC TRUSS D30/16.5 L=52 |
| 44 | 44077100 | 1 | BOLT, CARRIAGE, M6X16 DIN603 SS |
| 45 | 46133100 | 1 | JAM NUT M27 DIN 439 B DEL |
| 46 | 47118500 | 1 | NORDLOCK WASHER M27 LIM ZNK |
| 47 | 48082100 | 1 | SPRING PIN Ø6x50 DIN1481 RST |
| 48 | 61080300 | 1 | 1. FOLDING BANANA DDZ PAINTED |
| 49 | 61095700 | 1 | CENTERFRAME TRANSPORTTRAIL PAINTED |
| 50 | 63122300 | 1 | FOLD ARM 1 DDZ PAINTED |
| 51 | 63169900 | 1 | INNERWING 6.43M RIGHT DDZ PAINT '16 |
| 51 | 63170500 | 1 | INNERWING 6.43M LEFT DDZ PAINT '16 |
| 52 | 63171500 | 1 | 1.OUTERWING 5.93M RIGHT DDZ PAINT |
| 52 | 63171700 | 1 | 1.OUTERWING 5.93M LEFT DDZ PAINTED |
| 53 | 75587000 | 1 | SEAL KIT FOR 78133300 |
| 54 | 78133300 | 1 | DOB.CYL.Ø50/30 500 END DAMPING |



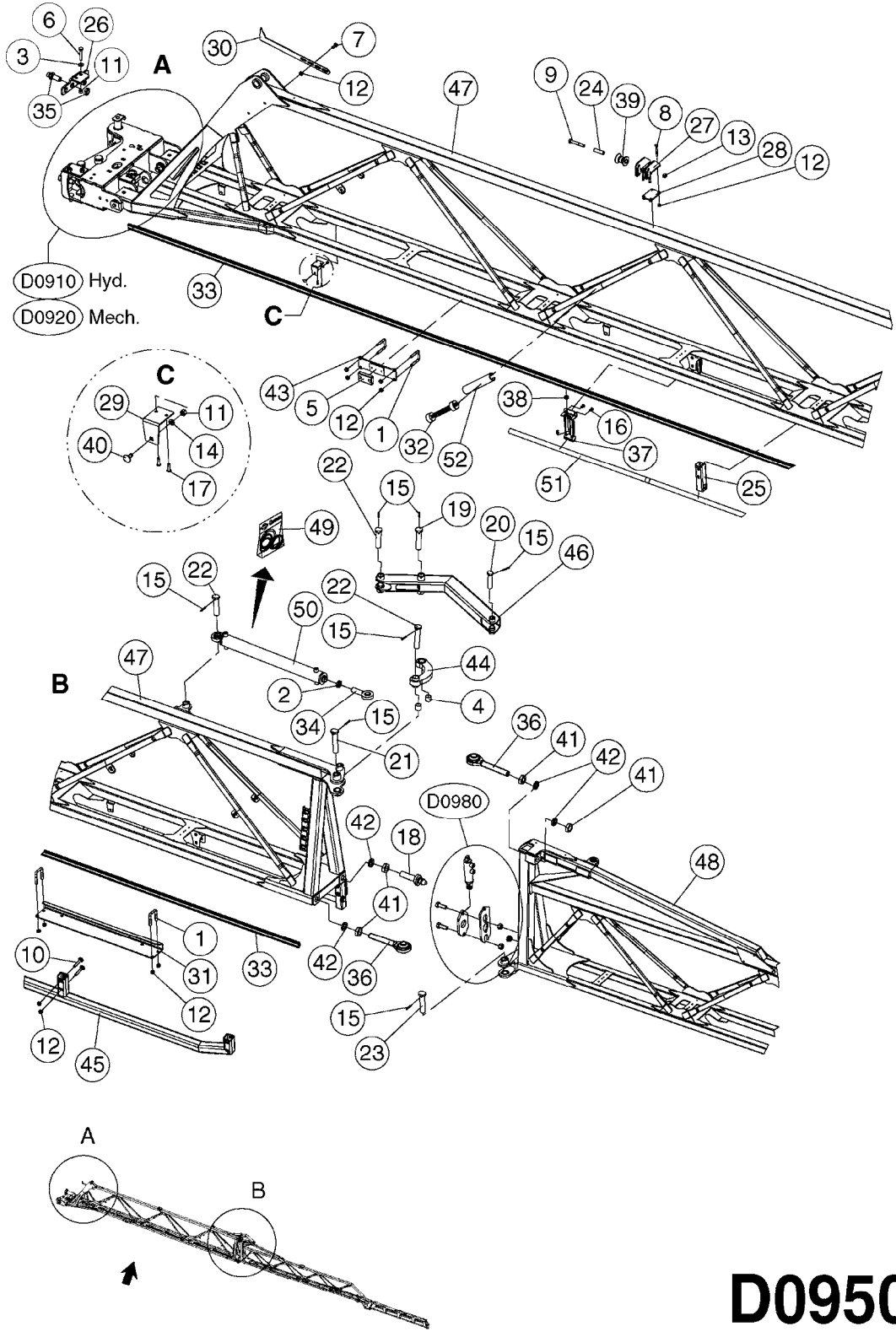
D0940



DTZ 120'/132' BOOM 3 FOLD
OUTER
D0940-HIN, 29:06:17

Page 1
Date 07.02.2020 10:04

| Pos. | parts-n° | order qty | description |
|------|----------|-----------|-------------------------------------|
| 1 | 143161 | 1 | BOLT U M10 40X40 |
| 2 | 147516 | 1 | U-BOLT M8-50x50 |
| 3 | 210859 | 1 | BUSH Ø23X20 L20 |
| 4 | 334603 | 1 | RUBBER STOP 86X48X15 |
| 5 | 410605 | 1 | BOLT HEX 8.8 DEL M6X80 |
| 6 | 411030 | 1 | BOLT HEX M5X10 |
| 7 | 420604 | 1 | BOLT HEX 8.8 DEL M10X25 FT DIN933 |
| 8 | 460143 | 1 | SELF LOCK NUT M8 SST A2 DIN985 |
| 9 | 460261 | 1 | NUT HEX M6X1.00 LOCK DIN985 A2 SS |
| 10 | 460423 | 1 | NUT HEX M10X1.50 LOCK DIN985A2 SS |
| 11 | 460585 | 1 | LOCKING NUT M16 DIN985 A2 SS |
| 12 | 471123 | 1 | WASHER, M5, Ø10/ 5.3X 1.0, SS |
| 13 | 471125 | 1 | WASHER M6U 6.4X14X1.2,A2 SS |
| 14 | 471128 | 1 | WASHER, M16, Ø30/17.0X 3.0, SS |
| 15 | 480717 | 1 | PIN E 5X40 SST |
| 16 | 480719 | 1 | PIN D5 X 36 STAINLESS |
| 17 | 480730 | 1 | PIN ROLL 5X30 STAINLESS STEEL |
| 18 | 480804 | 1 | RIVET Ø4.8x14.5 |
| 19 | 480806 | 1 | RIVET, POP, Ø4.8X14/Ø9.5 SS |
| 20 | 14058400 | 1 | PINBOLT Ø19.3 L=108/100 M12 |
| 21 | 14059700 | 1 | PINBOLT Ø20.0 L=83/75 |
| 22 | 14059800 | 1 | PIN Ø25 L=122/114 |
| 23 | 14141100 | 1 | PINBOLT Ø25.4 L=104/21 M16 |
| 24 | 16406700 | 1 | BRACKET, ALUPROFILE, 54MM LONG |
| 25 | 16407200 | 1 | BRACKET, ALUPROFILE, 40MM LONG |
| 26 | 16453000 | 1 | BRACKET F. RUBBER SHIELD |
| 27 | 16453100 | 1 | PLATE F.RUBBER PAD |
| 28 | 19487800 | 1 | ALUPROFILE 30X10 L=5.90 M |
| 29 | 19488300 | 1 | ALUPROFILE 30X10 L=1.90 M |
| 30 | 28096700 | 1 | EYEBOLT W/SWIVEL Ø19.3 M27 RH |
| 31 | 28159800 | 1 | EYEBOLT Ø25.4 M27X3 |
| 32 | 28163900 | 1 | PLUG F.NOZZLE TUBE Ø25-27/32 |
| 33 | 33510100 | 1 | WEAR PAD 86X48X15 |
| 34 | 33523600 | 1 | PROTECTION TUBE HOLDER |
| 35 | 33524400 | 1 | BUTTON Ø22/Ø18 H9.5 |
| 36 | 44077100 | 1 | BOLT, CARRIAGE, M6X16 DIN603 SS |
| 37 | 46133100 | 1 | JAM NUT M27 DIN 439 B DEL |
| 38 | 47118500 | 1 | NORDLOCK WASHER M27 LIM ZNK |
| 39 | 48082000 | 1 | RIVET Ø4.8X12.7/ALU/ST |
| 40 | 61071800 | 1 | TRANSPORT BRACKET TDZ, RED |
| 41 | 61080700 | 1 | 2. FOLDING BANANA DDZ PAINTED |
| 42 | 61095500 | 1 | BOOM BRACKET PAINTED |
| 43 | 63122500 | 1 | FOLD ARM 2 DDZ PAINTED |
| 44 | 63171500 | 1 | 1.OUTERWING 5.93M RIGHT DDZ PAINT |
| 44 | 63171700 | 1 | 1.OUTERWING 5.93M LEFT DDZ PAINTED |
| 45 | 63173100 | 1 | 2. OUTERWING RIGHT 2.2M DDZ PAINTED |
| 45 | 63173300 | 1 | 2. OUTERWING LEFT 2.2M DDZ PAINTED |
| 46 | 63177400 | 1 | BRACKET W. BALLJOINT DDZ R. |
| 46 | 63177500 | 1 | BRACKET W. BALLJOINT DDZ L. |
| 47 | 78133100 | 1 | DOB.CYL.Ø40/25-375/M20-Ø20 |
| 48 | 92510600 | 1 | TUBE, ROUND, Ø25.0X1.5, ALUMINUM |
| 49 | 92712403 | 1 | HOSE R X1" X300PSI WP X0012" |



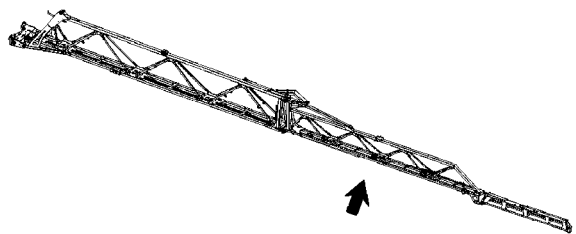
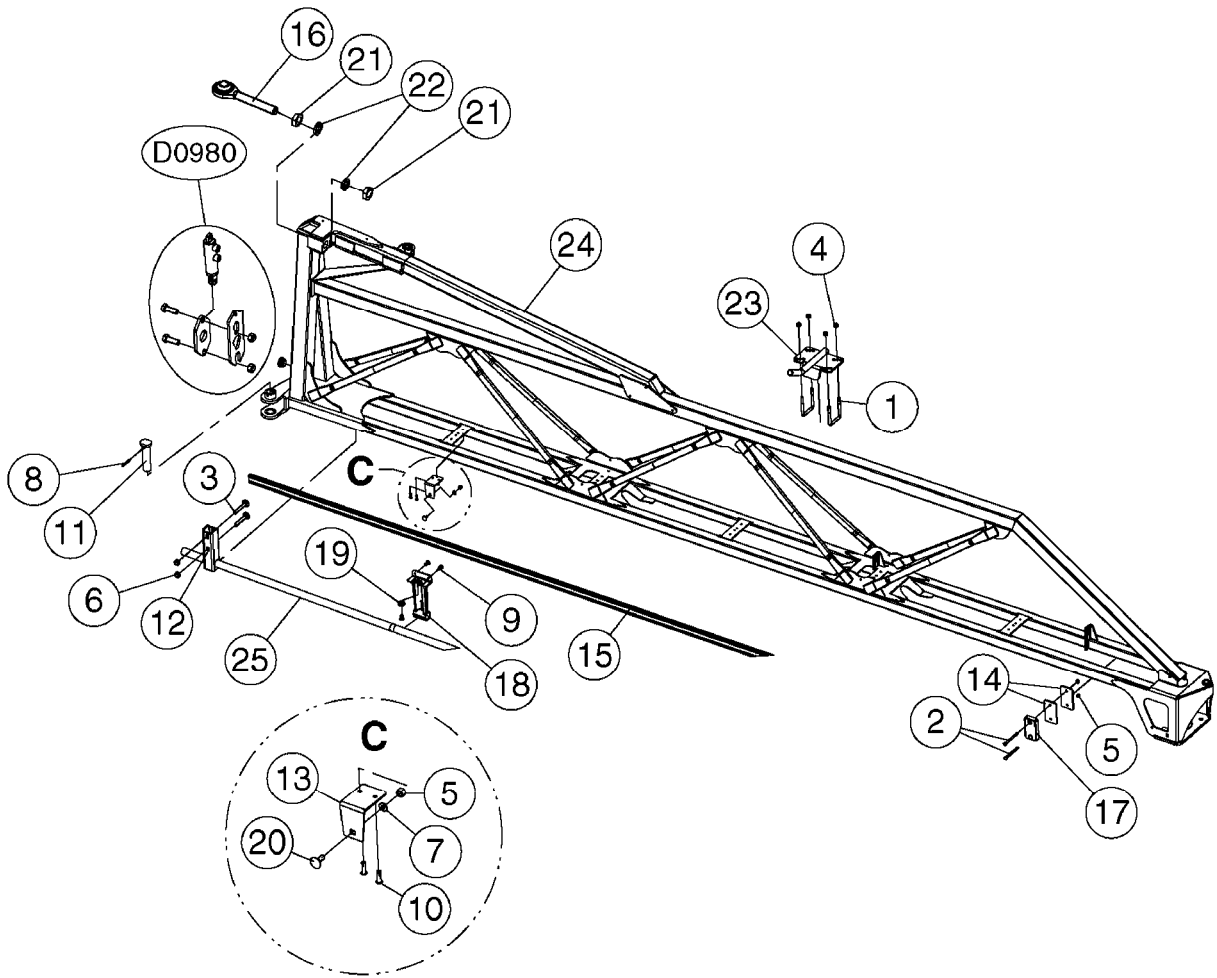
D0950



DTZ 90' BOOM 2 FOLD INNER
D0950-HIN, 15:07:19

Page 1
Date 07.02.2020 10:04

| Pos. | parts-n° | order qty | description |
|------|----------|-----------|---|
| 1 | 143161 | 1 | BOLT U M10 40X40 |
| 2 | 147128 | 1 | NUT M24X2 NV-32 |
| 3 | 163936 | 1 | WASHER D15/D6.2X1 |
| 4 | 210835 | 1 | BUSHING D28/25 L=25 |
| 5 | 334603 | 1 | RUBBER STOP 86X48X15 |
| 6 | 418014 | 1 | BOLT HEX M6X35/18 SS A2 DIN931 |
| 7 | 420604 | 1 | BOLT HEX 8.8 DEL M10X25 FT DIN933 |
| 8 | 421024 | 1 | BOLT HEX 8.8 DEL M8X60 |
| 9 | 430846 | 1 | BOLT HEX 8.8 DEL M12X80 |
| 10 | 440718 | 1 | BOLT CRG M10 X 65 DEL |
| 11 | 460261 | 1 | NUT HEX M6X1.00 LOCK DIN985 A2 SS |
| 12 | 460423 | 1 | NUT HEX M10X1.50 LOCK DIN985A2 SS |
| 13 | 460703 | 1 | NUT HEX M12X1.75 LOCK DIN985A2 SS |
| 14 | 471125 | 1 | WASHER M6U 6.4X14X1.2,A2 SS |
| 15 | 480717 | 1 | PIN E 5X40 SST |
| 16 | 480804 | 1 | RIVET Ø4.8x14.5 |
| 17 | 480806 | 1 | RIVET, POP, Ø4.8X14/Ø9.5 SS |
| 18 | 14058800 | 1 | PIN Ø27.0 NV46 M27 L= 158 |
| 19 | 14059800 | 1 | PIN Ø25 L=122/114 |
| 20 | 14060200 | 1 | PIN Ø20.0 L=101/93 |
| 21 | 14140600 | 1 | PIN Ø25.4 L=131/123 |
| 22 | 14141000 | 1 | PIN Ø25 L=111/103 |
| 23 | 14141100 | 1 | PINBOLT Ø25.4 L=104/21 M16 |
| 24 | 15133700 | 1 | BUSHING Ø16.0 X1.5 L=54 |
| 25 | 15222600 | 1 | BRACKET FOR NOZZLE PROTECTION |
| 26 | 16230003 | 1 | PLATE, FOLDED, 3/16", 120X71, RED |
| 27 | 16255100 | 1 | BOOM BRACKET |
| 28 | 16255200 | 1 | PLATE F. BOOM BRACKET RED DDZ |
| 29 | 16406700 | 1 | BRACKET, ALUPROFILE, 54MM LONG |
| 30 | 16451500 | 1 | TILT INDICATOR DDZ |
| 31 | 16451700 | 1 | INNER WING TRANSPORT RAIL |
| 32 | 16453000 | 1 | BRACKET F. RUBBER SHIELD |
| 33 | 19487600 | 1 | ALUPROFILE 30X10 L=6.35 M |
| 33 | 19487700 | 1 | ALUPROFIL 30X10 L=5850 |
| 34 | 21091800 | 1 | LINK HEAD Ø25,M24X55 W/ GREASE NIP. DELTA |
| 35 | 23241500 | 1 | HYD.FIT. BULKHEAD 9/16" |
| 36 | 28159800 | 1 | EYEBOLT Ø25.4 M27X3 |
| 37 | 33523600 | 1 | PROTECTION TUBE HOLDER |
| 38 | 33524400 | 1 | BUTTON Ø22/Ø18 H9.5 |
| 39 | 39141200 | 1 | PLASTIC TRUSS D30/16.5 L=52 |
| 40 | 44077100 | 1 | BOLT, CARRIAGE, M6X16 DIN603 SS |
| 41 | 46133100 | 1 | JAM NUT M27 DIN 439 B DEL |
| 42 | 47118500 | 1 | NORDLOCK WASHER M27 LIM ZNK |
| 43 | 61071800 | 1 | TRANSPORT BRACKET TDZ, RED |
| 44 | 61080300 | 1 | 1. FOLDING BANANA DDZ PAINTED |
| 45 | 61095700 | 1 | CENTERFRAME TRANSPORTTRAIL PAINTED |
| 46 | 63122300 | 1 | FOLD ARM 1 DDZ PAINTED |
| 47 | 63208700 | 1 | INNERWING 5.93M R. DDZ PAINTED |
| 47 | 63209700 | 1 | INNERWING 5.93M L. DDZ PAINTED |
| 48 | 63211400 | 1 | OUTERWING R. DDZ 3.75M PAINTED |
| 48 | 63211600 | 1 | OUTERWING L. DDZ 3.75M PAINTED |
| 49 | 75587000 | 1 | SEAL KIT FOR 78133300 |
| 50 | 78133300 | 1 | DOB.CYL.Ø50/30 500 END DAMPING |
| 51 | 92510600 | 1 | TUBE, ROUND, Ø25.0X1.5, ALUMINUM |
| 52 | 92712403 | 1 | HOSE R X1" X300PSI WP X0012" |



D0960



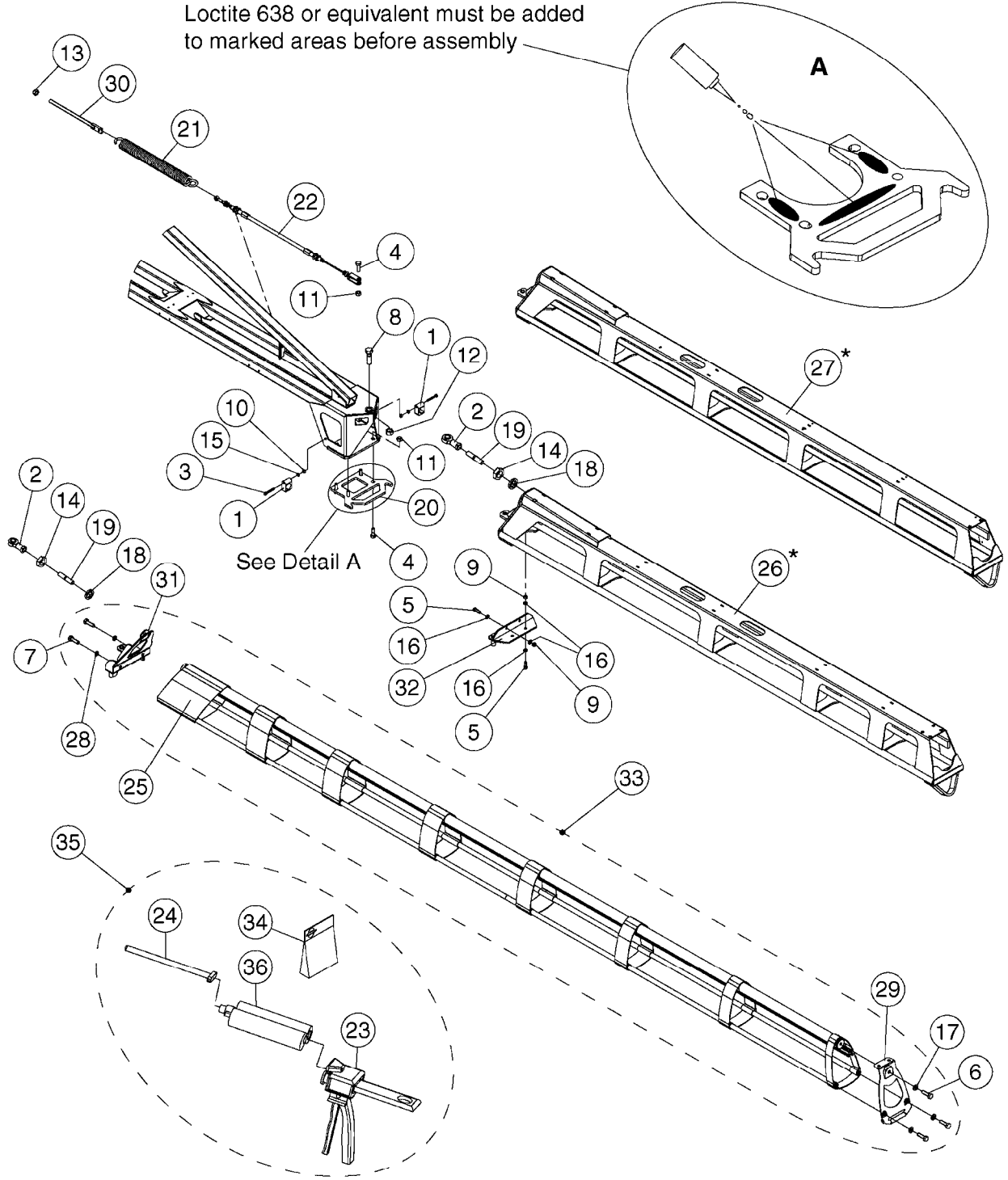
DTZ 90' BOOM 2 FOLD OUTER
D0960-HIN, 30:06:17

Page 1
Date 07.02.2020 10:04

| Pos. | parts-n° | order qty | description |
|------|----------|-----------|-----------------------------------|
| 1 | 147516 | 1 | U-BOLT M8-50x50 |
| 2 | 410642 | 1 | BOLT HEX 8.8 DEL M6X75 |
| 3 | 440718 | 1 | BOLT CRG M10 X 65 DEL |
| 4 | 460143 | 1 | SELF LOCK NUT M8 SST A2 DIN985 |
| 5 | 460261 | 1 | NUT HEX M6X1.00 LOCK DIN985 A2 SS |
| 6 | 460423 | 1 | NUT HEX M10X1.50 LOCK DIN985A2 SS |
| 7 | 471125 | 1 | WASHER M6U 6.4X14X1.2,A2 SS |
| 8 | 480717 | 1 | PIN E 5X40 SST |
| 9 | 480804 | 1 | RIVET Ø4.8x14.5 |
| 10 | 480806 | 1 | RIVET, POP, Ø4.8X14/Ø9.5 SS |
| 11 | 14141100 | 1 | PINBOLT Ø25.4 L=104/21 M16 |
| 12 | 15222600 | 1 | BRACKET FOR NOZZLE PROTECTION |
| 13 | 16406700 | 1 | BRACKET, ALUPROFILE, 54MM LONG |
| 14 | 16453100 | 1 | PLATE F.RUBBER PAD |
| 15 | 19488000 | 1 | ALUPROFIL 30X10 L=4500 |
| 15 | 19488200 | 1 | ALUPROFIL 30X10 L=3650 |
| 16 | 28159800 | 1 | EYEBOLT Ø25.4 M27X3 |
| 17 | 33510100 | 1 | WEAR PAD 86X48X15 |
| 18 | 33523600 | 1 | PROTECTION TUBE HOLDER |
| 19 | 33524400 | 1 | BUTTON Ø22/Ø18 H9.5 |
| 20 | 44077100 | 1 | BOLT, CARRIAGE, M6X16 DIN603 SS |
| 21 | 46133100 | 1 | JAM NUT M27 DIN 439 B DEL |
| 22 | 47118500 | 1 | NORDLOCK WASHER M27 LIM ZNK |
| 23 | 61095500 | 1 | BOOM BRACKET PAINTED |
| 24 | 63211400 | 1 | OUTERWING R. DDZ 3.75M PAINTED |
| 24 | 63211600 | 1 | OUTERWING L. DDZ 3.75M PAINTED |
| 25 | 92510600 | 1 | TUBE, ROUND, Ø25.0X1.5, ALUMINUM |



Loctite 638 or equivalent must be added to marked areas before assembly



*CONFIRM NUMBER OF NOZZLES

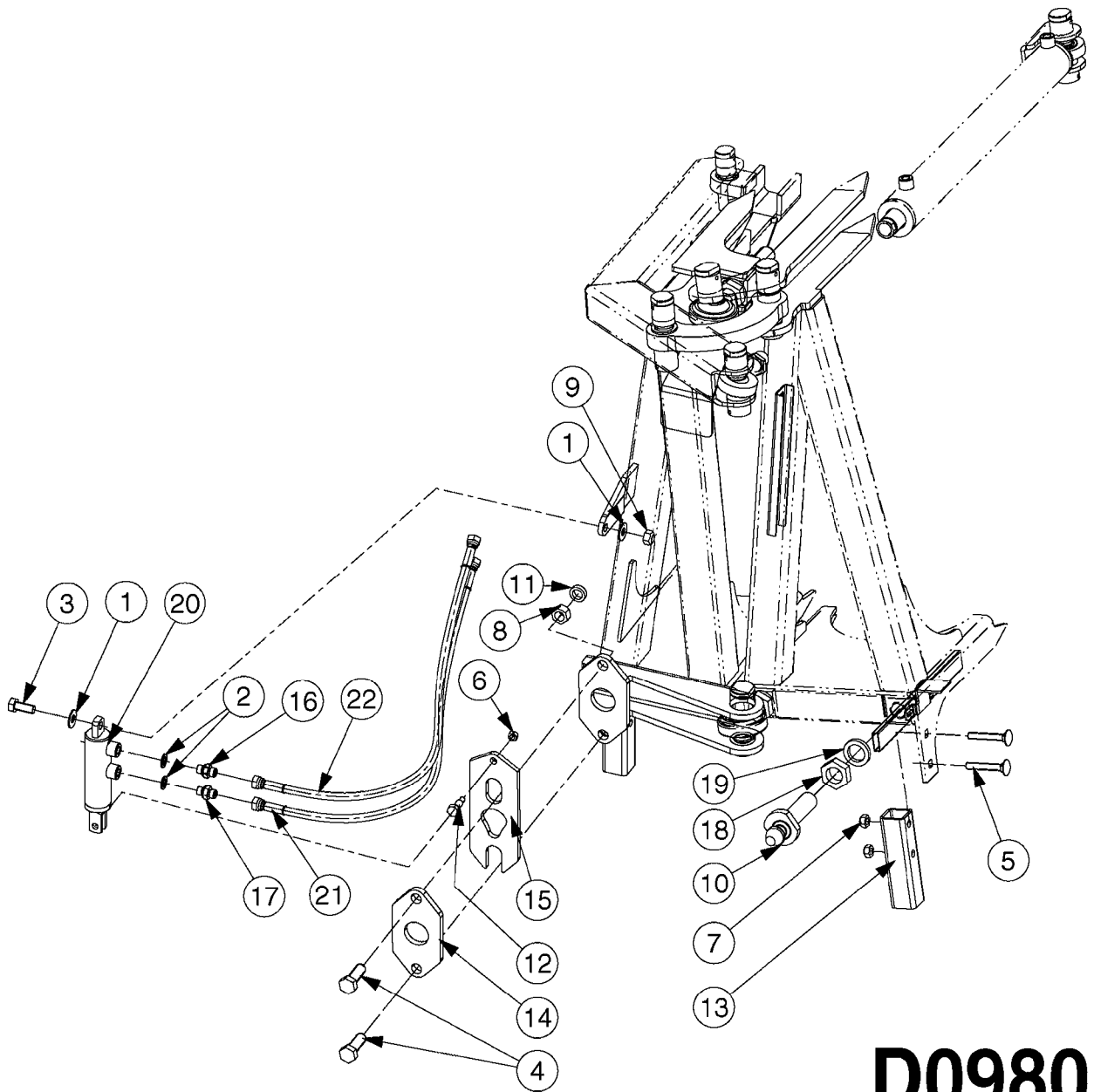
D0970



DTZ BREAKAWAYS
D0970-HIN, 16:10:18

Page 1
Date 07.02.2020 10:04

| Pos. | parts-n° | order qty | description |
|------|----------|-----------|--|
| 1 | 285511 | 1 | HOSE HOLDER Ø25 SINGLE |
| 2 | 288420 | 1 | LINK EYE M16X2 LEFT+GREASE NIPPLE M6 |
| 3 | 410583 | 1 | BOLT HEX 8.8 DEL M6X40 |
| 4 | 421002 | 1 | BOLT HEX 8.8 DEL M10X30 FT DIN933 |
| 5 | 421046 | 1 | BOLT HEX M8X25/25 A2 SS DIN933 |
| 6 | 430662 | 1 | BOLT HEX 8.8 DEL M12X20 FT |
| 7 | 430721 | 1 | BOLT HEX 8.8 DEL M12X40 FT |
| 8 | 430765 | 1 | BOLT HEX 8.8 DEL M16X55 |
| 9 | 460143 | 1 | SELF LOCK NUT M8 SST A2 DIN985 |
| 10 | 460261 | 1 | NUT HEX M6X1.00 LOCK DIN985 A2 SS |
| 11 | 460423 | 1 | NUT HEX M10X1.50 LOCK DIN985A2 SS |
| 12 | 460585 | 1 | LOCKING NUT M16 DIN985 A2 SS |
| 13 | 460703 | 1 | NUT HEX M12X1.75 LOCK DIN985A2 SS |
| 14 | 461198 | 1 | NUT HEX M16X2 JAMB |
| 15 | 470536 | 1 | WASHER D12.0/6.4X1.6 |
| 16 | 471126 | 1 | WASHER, M8, Ø16/ 8.4X 1.6, SS |
| 17 | 471127 | 1 | WASHER, M12, Ø24/13X24X2.5 SS |
| 18 | 471168 | 1 | PAIR OF WASHERS NL16 17X25,4x3,4 |
| 19 | 14150700 | 1 | TURNBUCKLE M16 |
| 20 | 16453600 | 1 | BOTTOM PLATE TIP 2. OUTER |
| | | | 3 FOLD BOOMS |
| 20 | 16488400 | 1 | BOTTOM PLATE TIP OUTER |
| | | | 2 FOLD BOOMS |
| 21 | 22098100 | 1 | PL. SPRING Ø42/7.5 L=405 PAINTED |
| 22 | 28004701 | 1 | BOOM BRAKE AWAY CABLE, L743,5 |
| 23 | 28097603 | 1 | APPLICATOR FOR 1.25OZ 3M CARTRIDGE |
| 24 | 28097703 | 1 | MIXING NOZZLE FOR 1.25OZ 3M CARTRIDGE |
| 25 | 28128200 | 1 | BREAKAWAY, CARBON, DTZ, 7 NOZ, 132' |
| 26 | 28128800 | 1 | BREAKAWAY, ALU, DTZ, 4 NOZ, RIGHT |
| 26 | 28128900 | 1 | BREAKAWAY, ALU, DTZ, 4 NOZ, LEFT |
| 27 | 28160000 | 1 | DDZ 5 NOZZLE BREAK AWAY ALU, RIGHT |
| 27 | 28164900 | 1 | DDZ 5 NOZZLE BREAK AWAY ALU, LEFT |
| 28 | 47118200 | 1 | WASHER SPECIAL M12 NORDLOCK |
| 29 | 61083500 | 1 | CARBON TIP |
| 30 | 61101900 | 1 | SET SCREW F. BREAKAWAY |
| 31 | 63172100 | 1 | CARBON ROD |
| 32 | 63215600 | 1 | BREAKAWAY BRACKET |
| 33 | 73183500 | 1 | BREAKAWAY ASSY, CARBON, DTZ, 7 NOZ, 132' |
| 34 | 73239000 | 1 | CARBON REPAIR KIT, DELTA FORCE |
| 35 | 83374103 | 1 | CARBON FIBER REPAIR KIT, DTZ |
| 36 | 96400003 | 1 | SCOTCH-WELD, DP405, BLACK, 3M |



D0980



DTZ HYD. BOOM LOCK
D0980-HIN, 30:05:17

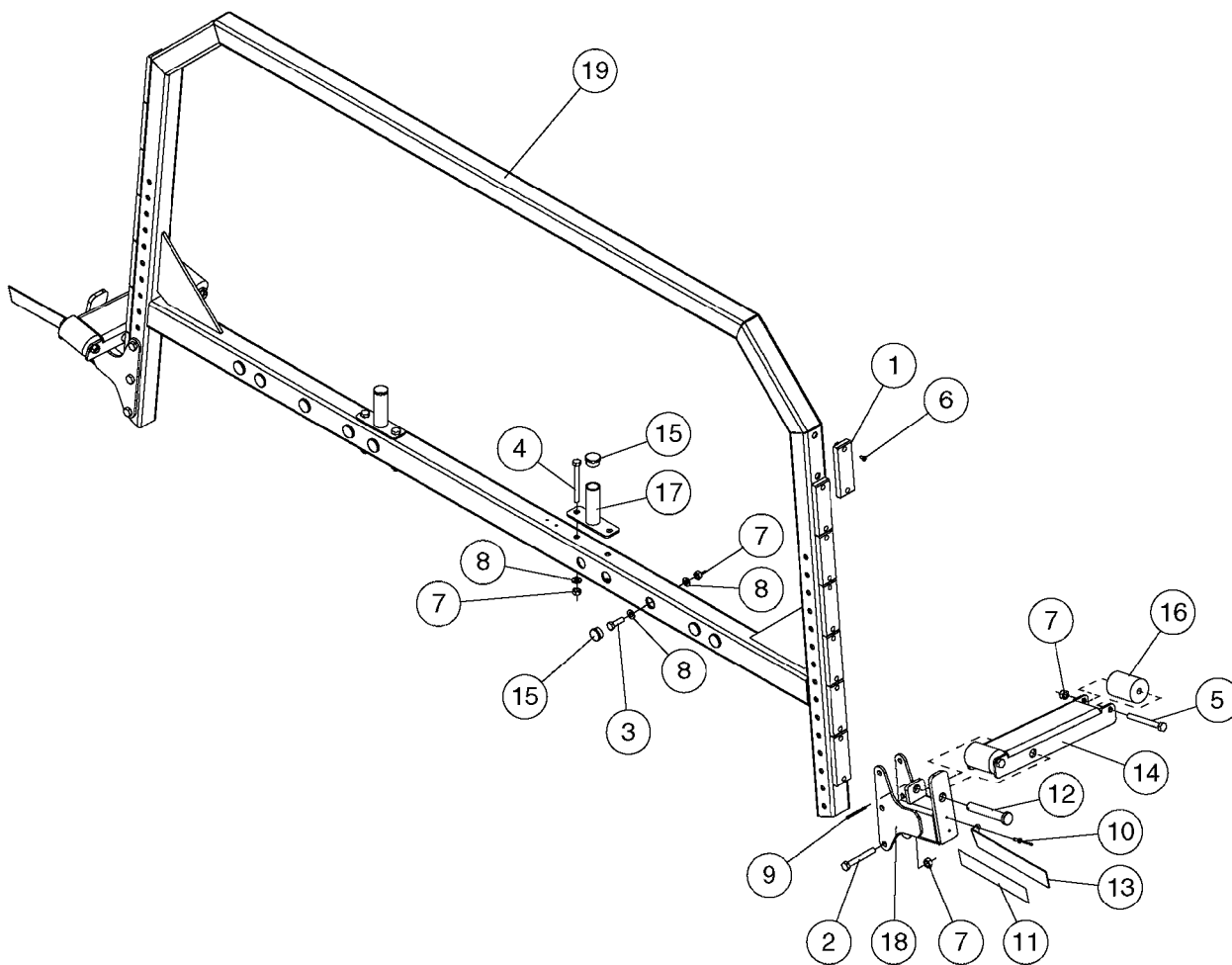
Page 1

Date 07.02.2020 10:04

| Pos. | parts-n° | order qty | description |
|------|----------|-----------|-----------------------------------|
| 1 | 165557 | 1 | WASHER D28.0/D12.2X2.0 SS |
| 2 | 241404 | 1 | DOWTY SEAL 1/4" |
| 3 | 430404 | 1 | BOLT HEX 8.8 DEL M12X50 |
| 4 | 430507 | 1 | BOLT HEX 8.8 DEL M16X45 FT |
| 5 | 440718 | 1 | BOLT CRG M10 X 65 DEL |
| 6 | 460143 | 1 | SELF LOCK NUT M8 SST A2 DIN985 |
| 7 | 460423 | 1 | NUT HEX M10X1.50 LOCK DIN985A2 SS |
| 8 | 460585 | 1 | LOCKING NUT M16 DIN985 A2 SS |
| 9 | 460703 | 1 | NUT HEX M12X1.75 LOCK DIN985A2 SS |
| 10 | 14058800 | 1 | PIN Ø27.0 NV46 M27 L= 158 |
| 11 | 14058900 | 1 | BUSHING Ø25/17 L=9 |
| 12 | 14120000 | 1 | PIN Ø10.0 L= 20.5 M8 |
| 13 | 15207600 | 1 | BRACKET 40X40X4.0/L= 155 |
| 14 | 16445000 | 1 | PLATE F. DDZ LOCK |
| 15 | 16463700 | 1 | PLATE 6.0X 211 X 70 |
| 16 | 23234100 | 1 | HEX NIPPLE 1/4"-9/16" - 1.2mm |
| 17 | 23234500 | 1 | HEX NIPPLE 1/4" - 9/16" |
| 18 | 46133100 | 1 | JAM NUT M27 DIN 439 B DEL |
| 19 | 47118500 | 1 | NORDLOCK WASHER M27 LIM ZNK |
| 20 | 78127800 | 1 | HYDRAULIC CYLINDER 25-40 |
| 21 | 78509900 | 1 | HY.HO.1/4"L= 1500 STR-STR |
| 22 | 78521400 | 1 | HY.HO.1/4"L= 6350 STR-STR |



TRANSPORT BRACKET DTZ
D0990-HIN, 05:07:17



D0990



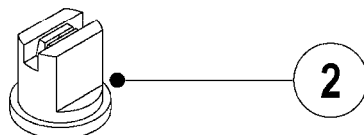
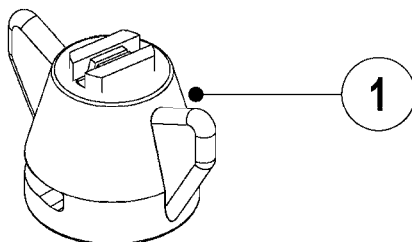
TRANSPORT BRACKET DTZ
D0990-HIN, 05:07:17

Page 1
Date 07.02.2020 10:04

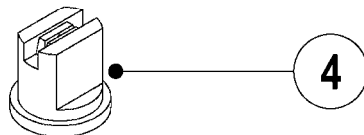
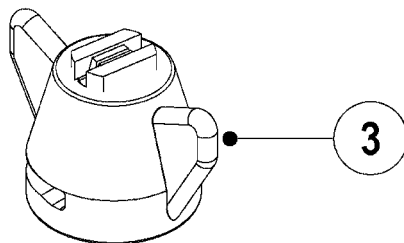
| Pos. | parts-n° | order qty | description |
|------|----------|-----------|---------------------------------------|
| 1 | 334135 | 1 | SLIDE SHOE 140X45X15 |
| 2 | 430485 | 1 | BOLT HEX 8.8 DEL M12X90 |
| 3 | 430721 | 1 | BOLT HEX 8.8 DEL M12X40 FT |
| 4 | 430824 | 1 | BOLT HEX 8.8 DEL M12X120 |
| 5 | 430892 | 1 | BOLT HEX 8.8 DEL M12X110 |
| 6 | 440708 | 1 | SCREW M5.5X16 SELF TAPPING SS |
| 7 | 460703 | 1 | NUT HEX M12X1.75 LOCK DIN985A2 SS |
| 8 | 471127 | 1 | WASHER, M12, Ø24/13X24X2.5 SS |
| 9 | 480384 | 1 | PIN COTTER 3/16 x 1-1/2" |
| 10 | 480808 | 1 | RIVET Ø4.8x25.5/Ø9.5 |
| 11 | 10533903 | 1 | DECAL REFLECTIVE AMBER 50X230 |
| 12 | 14105000 | 1 | PIN Ø30/20/6 L=131 DELTA |
| 13 | 16240403 | 1 | REFLECTOR BRACKET, DTZ, L, RED |
| 13 | 16240603 | 1 | REFLECTOR BRACKET, DTZ, R, RED |
| 14 | 16345600 | 1 | BRACKET F.TDZ TRANSPORT ROLLER |
| 15 | 28046900 | 1 | COVER PLUG 1" BLACK |
| 16 | 39001801 | 1 | ROLLER FOR TRANSPORT, POM |
| 17 | 61020203 | 1 | HANDLE F. TRANSPORT |
| 18 | 63056303 | 1 | TRANSPORT REST, DTZ/TDZ, 2017, RED |
| 19 | 63056703 | 1 | TRANSPORT BRACKET, TDZ/DTZ, 2017, RED |



SYNTAL



CERAMIC



D1000

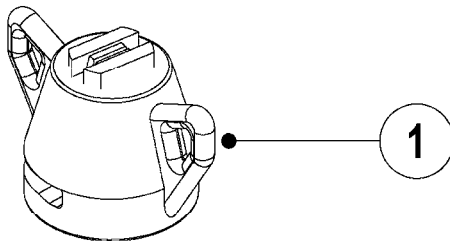


BOOM-NOZZLES 110° FLAT FAN ISO
D1000-HIN, 01:01:16

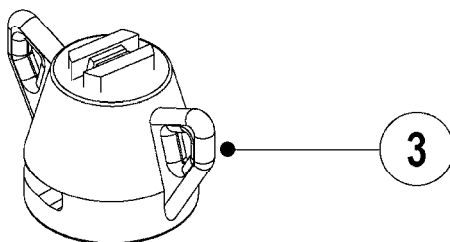
| Pos. | parts-n° | order qty | description |
|------|----------|-----------|--------------------------------|
| 1 | 371764 | 1 | NOZZLE ISO CT F-01-110 ORANGE |
| 1 | 371765 | 1 | NOZZLE ISO CT F-015-110 GREEN |
| 1 | 371766 | 1 | NOZZLE ISO CT F-02-110 YELLOW |
| 1 | 371767 | 1 | NOZZLE ISO CT F-03-110 BLUE |
| 1 | 371768 | 1 | NOZZLE ISO CT F-04-110 RED |
| 1 | 371769 | 1 | NOZZLE ISO CT F-05-110 BROWN |
| 1 | 371770 | 1 | NOZZLE ISO CT F-06-110 GREY |
| 1 | 371771 | 1 | NOZZLE ISO CT F-08-110 WHITE |
| 1 | 371950 | 1 | NOZZLE ISO CT F-025-110 LILAC |
| 1 | 371964 | 1 | NOZZLE ISO CT F-075-110 PINK |
| 1 | 371970 | 1 | NOZZLE ISO CT F-10-110 LT BLUE |
| 2 | 371706 | 1 | NOZZLE ISO F-01-110 ORANGE |
| 2 | 371707 | 1 | NOZZLE ISO F-015-110 GREEN |
| 2 | 371708 | 1 | NOZZLE ISO F-02-110 YELLOW |
| 2 | 371709 | 1 | NOZZLE ISO F-03-110 BLUE |
| 2 | 371710 | 1 | NOZZLE ISO F-04-110 RED |
| 2 | 371711 | 1 | NOZZLE ISO F-05-110 BROWN |
| 2 | 371712 | 1 | NOZZLE ISO F-06-110 GREY |
| 2 | 371713 | 1 | NOZZLE ISO F-08-110 WHITE |
| 2 | 371946 | 1 | NOZZLE ISO F-025-110 LILAC |
| 2 | 371963 | 1 | NOZZLE ISO F-075-110 PINK |
| 2 | 371966 | 1 | NOZZLE ISO F-10-110 LT BLUE |
| 3 | 371772 | 1 | NOZZLE ISO CT F-015-110C GREEN |
| 3 | 371773 | 1 | NOZZLE ISO CT F-02-110C YELLOW |
| 3 | 371774 | 1 | NOZZLE ISO CT F-03-110C BLUE |
| 3 | 371775 | 1 | NOZZLE ISO CT F-04-110C RED |
| 3 | 371776 | 1 | NOZZLE ISO CT F-05-110C BROWN |
| 3 | 371777 | 1 | NOZZLE ISO CT F-06-110C GREY |
| 4 | 371738 | 1 | NOZZLE ISO F-015-110C GREEN |
| 4 | 371739 | 1 | NOZZLE ISO F-02-110C YELLOW |
| 4 | 371740 | 1 | NOZZLE ISO F-03-110C BLUE |
| 4 | 371741 | 1 | NOZZLE ISO F-04-110C RED |
| 4 | 371742 | 1 | NOZZLE ISO F-05-110C BROWN |
| 4 | 371743 | 1 | NOZZLE ISO F-06-110C GREY |



SYNTAL



CERAMIC



D1010



BOOM-NOZZLES 110° LOWDRIFT ISO
D1010-HIN, 01:01:16

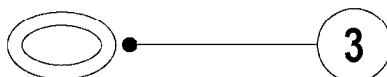
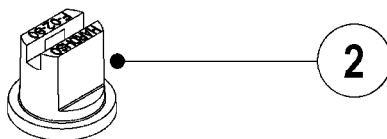
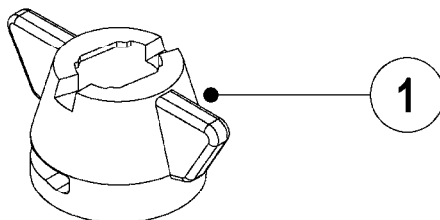
Page 1

Date 07.02.2020 10:04

| Pos. | parts-n° | order qty | description |
|------|----------|-----------|--------------------------------|
| 1 | 371837 | 1 | NOZZLE ISO CT LD-01-110 ORANGE |
| 1 | 371838 | 1 | NOZZLE ISO CT LD-015-110 GREEN |
| 1 | 371839 | 1 | NOZZLE ISO CT LD-02-110 YELLOW |
| 1 | 371840 | 1 | NOZZLE ISO CT LD-03-110 BLUE |
| 1 | 371841 | 1 | NOZZLE ISO CT LD-04-110 RED |
| 1 | 371894 | 1 | NOZZLE ISO CT LD-05-110 BROWN |
| 1 | 371958 | 1 | NOZZLE ISO CT LD-025-110 LILAC |
| 2 | 371817 | 1 | NOZZLE ISO LD-01-110 ORANGE |
| 2 | 371818 | 1 | NOZZLE ISO LD-015-110 GREEN |
| 2 | 371819 | 1 | NOZZLE ISO LD-02-110 YELLOW |
| 2 | 371820 | 1 | NOZZLE ISO LD-03-110 BLUE |
| 2 | 371821 | 1 | NOZZLE ISO LD-04-110 RED |
| 2 | 371893 | 1 | NOZZLE ISO LD-05-110 BROWN |
| 2 | 371957 | 1 | NOZZLE ISO LD-025-110 LILAC |
| 3 | 371842 | 1 | NOZZLE ISO CT LD-01-110C ORANG |
| 3 | 371843 | 1 | NOZZLE ISO CT LD-015-110C GRN |
| 3 | 371844 | 1 | NOZZLE ISO CT LD-02-110C YELLO |
| 3 | 371845 | 1 | NOZZLE ISO CT LD-03-110C BLUE |
| 3 | 371846 | 1 | NOZZLE ISO CT LD-04-110C RED |
| 3 | 371897 | 1 | NOZZLE ISO CT LD-05-110C BROWN |
| 4 | 371822 | 1 | NOZZLE ISO LD-01-110C ORANGE |
| 4 | 371823 | 1 | NOZZLE ISO LD-015-110C GREEN |
| 4 | 371824 | 1 | NOZZLE ISO LD-02-110C YELLOW |
| 4 | 371825 | 1 | NOZZLE ISO LD-03-110C BLUE |
| 4 | 371826 | 1 | NOZZLE ISO LD-04-110C RED |
| 4 | 371896 | 1 | NOZZLE ISO LD-05-110C BROWN |



SYNTAL



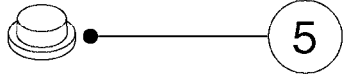
D1020



BOOM-NOZZLES 80° FLAT FAN ISO
D1020-HIN, 01:01:16

Page 1
Date 07.02.2020 10:04

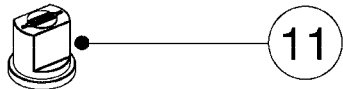
| Pos. | parts-n° | order qty | description |
|------|----------|-----------|--------------------------------|
| 1 | 334083 | 1 | SNAP-FIT NOZZLE HOLDER SS BLCK |
| 2 | 371931 | 1 | SYNTAL ISO F-01-80 TIP ORNG |
| 2 | 371932 | 1 | SYNTAL ISO F-015-80 TIP GREEN |
| 2 | 371933 | 1 | SYNTAL ISO F-02-80 TIP YELLOW |
| 2 | 371934 | 1 | SYNTAL ISO F-03-80 TIP BLUE |
| 3 | 10423503 | 1 | O-RING 9.12x3.53 NITRIL |



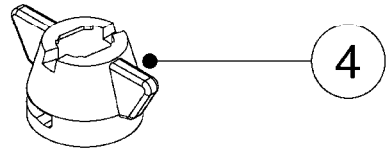
5



14



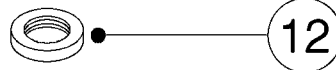
11



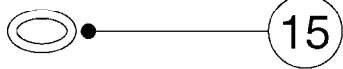
4



13



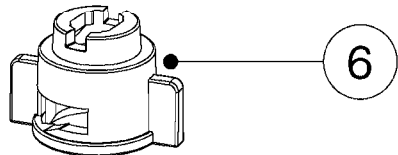
12



15



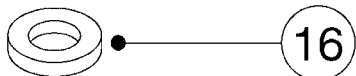
10



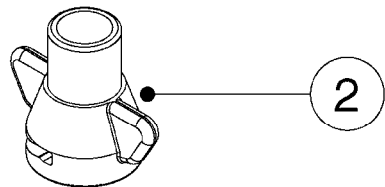
6



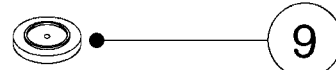
8



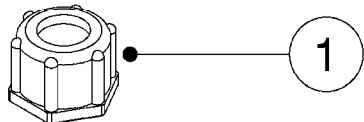
16



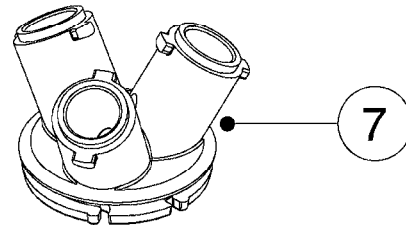
2



9



1



7



3

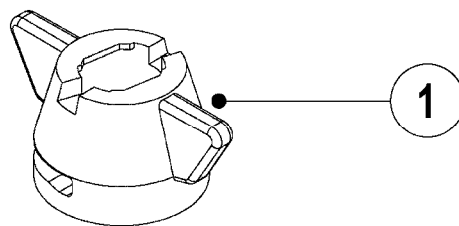
D1030



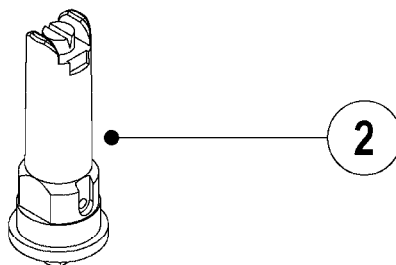
BOOM-NOZZLE CAPS AND FILTERS
D1030-HIN, 28:11:17

Page 1
Date 07.02.2020 10:04

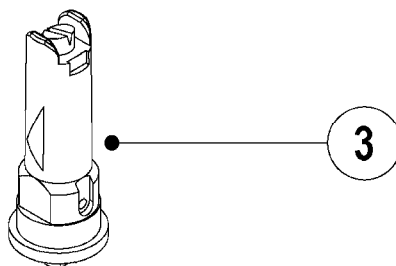
| Pos. | parts-n° | order qty | description |
|------|----------|-----------|---------------------------------------|
| 1 | 320187 | 1 | FITT.DK CAP 3/8" BSP BLACK |
| 1 | 321517 | 1 | FITT.DK CAP 3/8" BSP WHITE |
| | | | ALWAYS USE WITH ISO AND INJET NOZZLES |
| 1 | 321797 | 1 | FITT.DK CAP 3/8' BSP BLUE |
| 1 | 321801 | 1 | FITT.DK CAP 3/8' BSP GREEN |
| 1 | 321812 | 1 | FITT.DK CAP 3/8' BSP RED |
| 1 | 321823 | 1 | FITT.DK CAP 3/8' BSP ORANGE |
| 1 | 321834 | 1 | FITT.DK CAP 3/8' BSP YELLOW |
| 2 | 322068 | 1 | SNAP-FIT ADAPTER THREAD. HARDI |
| 3 | 330013 | 1 | O-RING 2.5 X 10 PUR |
| 4 | 334083 | 1 | SNAP-FIT NOZZLE HOLDER SS BLCK |
| 5 | 334102 | 1 | BLANK F.NOZZLE |
| 6 | 334862 | 1 | NOZZLE CAP TJBLACK F.ISO/INJET |
| 7 | 334926 | 1 | SNAP-FIT TURN PLATE F TRIPLET |
| 8 | 370016 | 1 | NOZZLE CONE JET 1553-08 |
| 8 | 370027 | 1 | NOZZLE CONE JET 1553-10 |
| 8 | 370031 | 1 | NOZZLE CONE JET 1553-12 |
| 8 | 370042 | 1 | NOZZLE CONE JET 1553-14 |
| 8 | 370053 | 1 | NOZZLE CONE JET 1553-16 |
| 8 | 370064 | 1 | NOZZLE CONE JET 1553-18 |
| 8 | 370075 | 1 | NOZZLE CONE JET 1553-20 |
| 8 | 370086 | 1 | NOZZLE CONE JET 1553-22 |
| 8 | 370097 | 1 | NOZZLE CONE JET 1553-24 |
| 8 | 370101 | 1 | NOZZLE CONE JET 1553-30 |
| 8 | 370112 | 1 | NOZZLE CONE JET 1553-35 |
| 8 | 370123 | 1 | NOZZLE CONE JET 1553-40 |
| 9 | 370134 | 1 | NOZZLE SWIRL 1554-GREY |
| 9 | 370145 | 1 | NOZZLE SWIRL 1554-BLACK |
| 9 | 370156 | 1 | NOZZLE SWIRL 1554-BLUE |
| 9 | 370167 | 1 | NOZZLE SWIRL 1554-1.3 WHITE |
| 10 | 371551 | 1 | NOZZ LRG DROP FLAT SPRAY SINGL |
| 11 | 372140 | 1 | HARDI ISO BLIND CAP |
| 12 | 390639 | 1 | O-RING F.NOZZLE FILTER |
| 13 | 614366 | 1 | FILTER 50 MESH F.NOZZLE BLUE |
| 13 | 614367 | 1 | FILTER 80 MESH F.NOZZLE RED |
| 13 | 614368 | 1 | FILTER 100 MESH F.NOZZLE YEL. |
| 14 | 725042 | 1 | SCREEN 80 MESH W.GASKET, RED |
| 14 | 725043 | 1 | SCREEN 50 MESH W.GASKET,BLUE |
| 14 | 725044 | 1 | SCREEN 100 MESH W.GASKET,YELLO |
| 15 | 10423503 | 1 | O-RING 9.12x3.53 NITRIL |
| 16 | 24022901 | 1 | GASKET D10X19 EP 3.2 |



INJET Nozzle SYNTAL



B-JET Nozzle SYNTAL



D1040



BOOM-NOZZLES INJET
D1040-HIN, 01:01:16

Page 1

Date 07.02.2020 10:04

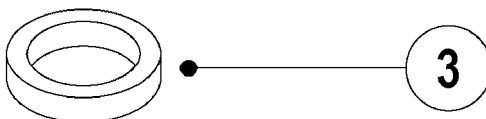
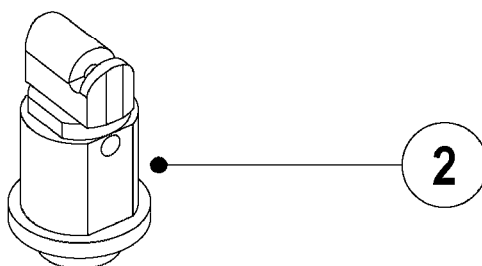
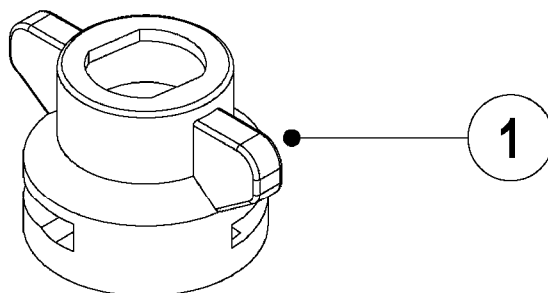
| Pos. | parts-n° | order qty | description |
|------|----------|-----------|--------------------------------|
| 1 | 334083 | 1 | SNAP-FIT NOZZLE HOLDER SS BLCK |
| 2 | 371872 | 1 | NOZZLE INJET 015 GREEN SINGLE |
| 2 | 371873 | 1 | NOZZLE INJET 02 YELLOW SINGLE |
| 2 | 371874 | 1 | NOZZLE INJET 025 LILAC SINGLE |
| 2 | 371875 | 1 | NOZZLE INJET 03 BLUE SINGLE |
| 2 | 371876 | 1 | NOZZLE INJET 04 RED SINGLE |
| 2 | 371926 | 1 | NOZZLE INJET 01 ORANGE SINGLE |
| 2 | 371927 | 1 | NOZZLE INJET 05 BROWN SINGLE |
| 2 | 371928 | 1 | NOZZLE INJET 06 GREY SINGLE |
| 2 | 371929 | 1 | NOZZLE INJET 08 WHITE SINGLE |
| 3 | 371870 | 1 | NOZZLE B-JET 03 BLUE |
| 3 | 371871 | 1 | NOZZLE B-JET 04 RED |
| 3 | 371877 | 1 | NOZZLE B-JET 025 LILAC |
| 3 | 371930 | 1 | NOZZLE B-JET 02 YELLOW |



BOOM-NOZZLES TEEJET
D1045-HIN, 04:05:17

Page 0

Date 07.02.2020 10:04



D1045

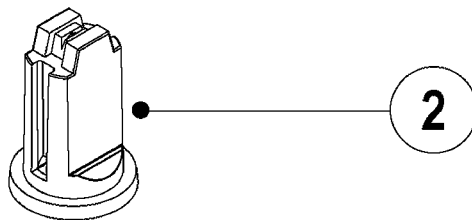
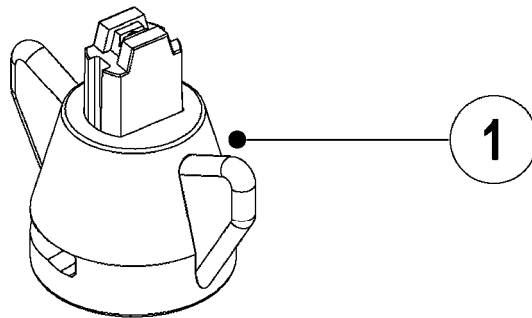


BOOM-NOZZLES TEEJET
D1045-HIN, 04:05:17

Page 1

Date 07.02.2020 10:04

| Pos. | parts-n° | order qty | description |
|------|----------|-----------|---|
| 1 | 33000003 | 1 | SNAP-FIT CAP/GASKET, TEEJET 21398H-1-CELR INCLUDES GASKET 24003903 |
| 2 | 37002403 | 1 | NOZZLE TTI11003-VP BLUE |
| 2 | 37002503 | 1 | NOZZLE TTI11004-VP RED |
| 2 | 37002603 | 1 | NOZZLE TTI11005-VP BROWN |
| 2 | 37002703 | 1 | NOZZLE TTI11006-VP GREY |
| 3 | 24003903 | 1 | GASKET FOR 21398H CAP, TEEJET |



D1050

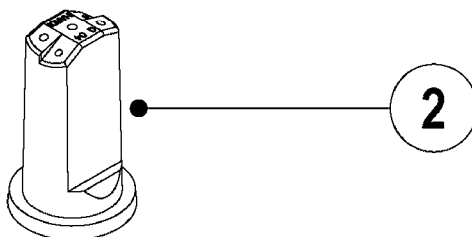
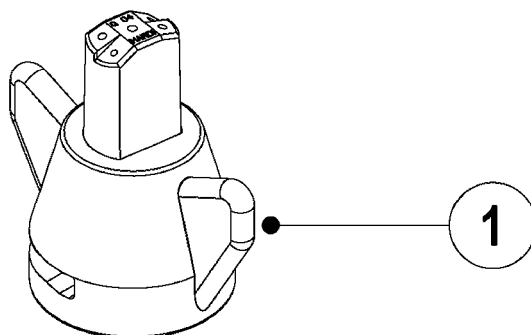


BOOM-NOZZLES MINIDRIFT
D1050-HIN, 01:01:16

Page 1

Date 07.02.2020 10:04

| Pos. | parts-n° | order qty | description |
|------|----------|-----------|--------------------------------|
| 1 | 372121 | 1 | NOZZLE ISO CT MD-015-110 GREEN |
| 1 | 372122 | 1 | NOZZLE ISO CT MD-02-110 YELLOW |
| 1 | 372123 | 1 | NOZZLE ISO CT MD-025-110 LILAC |
| 1 | 372124 | 1 | NOZZLE ISO CT MD-03-110 BLUE |
| 1 | 372125 | 1 | NOZZLE ISO CT MD-04-110 RED |
| 1 | 372126 | 1 | NOZZLE ISO CT MD-05-110 BROWN |
| 2 | 372111 | 1 | NOZZLE ISO MD-015-110 GREEN |
| 2 | 372112 | 1 | NOZZLE ISO MD-02-110 YELLOW |
| 2 | 372113 | 1 | NOZZLE ISO MD-025-110 LILAC |
| 2 | 372114 | 1 | NOZZLE ISO MD-03-110 BLUE |
| 2 | 372115 | 1 | NOZZLE ISO MD-04-110 RED |
| 2 | 372116 | 1 | NOZZLE ISO MD-05-110 BROWN |



D1060

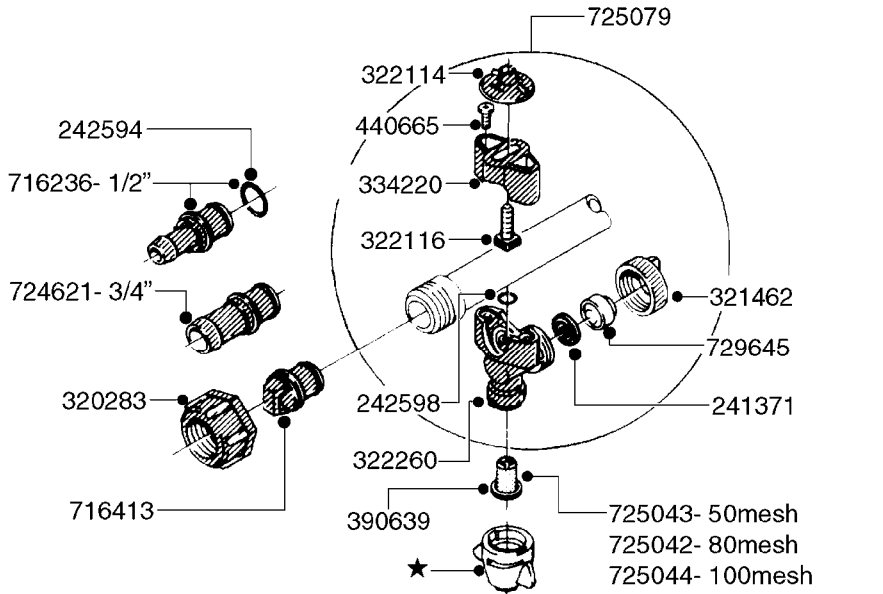


BOOM-NOZZLES QUINTASTREAM
D1060-HIN, 01:01:16

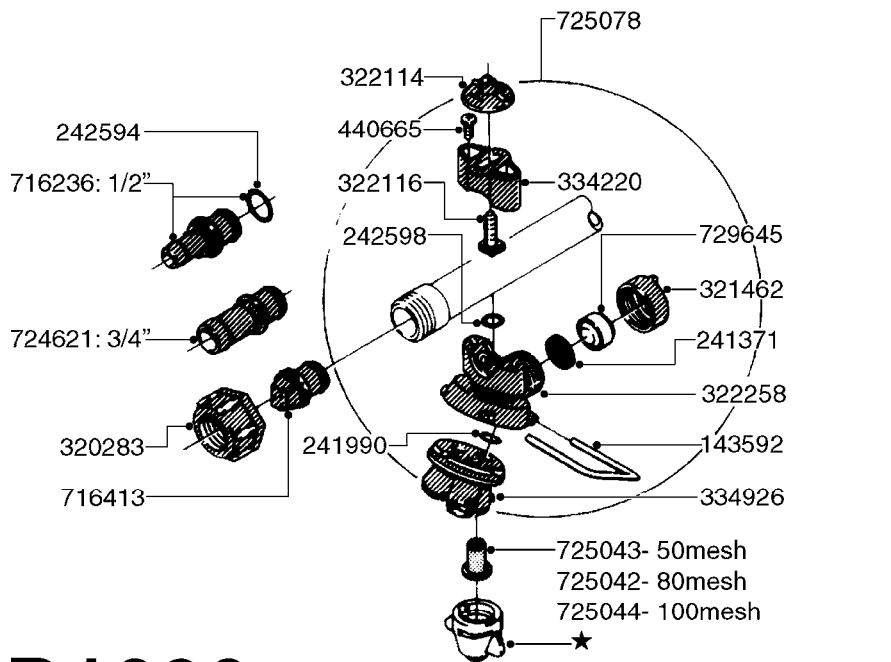
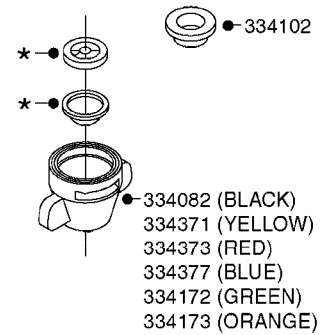
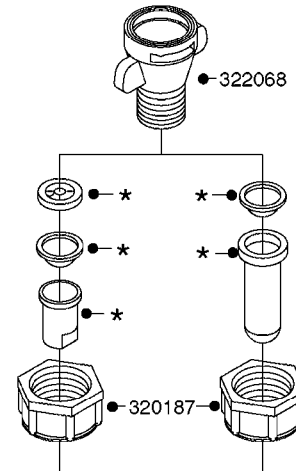
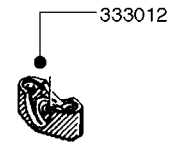
Page 1

Date 07.02.2020 10:04

| Pos. | parts-n° | order qty | description |
|------|----------|-----------|-------------------------------|
| 1 | 372011 | 1 | NOZZLE ISO QS-015-5H GREEN |
| 1 | 372012 | 1 | NOZZLE ISO QS-02-5H YELLOW |
| 1 | 372013 | 1 | NOZZLE ISO QS-03-5H BLUE |
| 1 | 372014 | 1 | NOZZLE ISO QS-04-5H RED |
| 1 | 372015 | 1 | NOZZLE ISO QS-05-5H BROWN |
| 1 | 372016 | 1 | NOZZLE ISO QS-06-5H GREY |
| 1 | 372017 | 1 | NOZZLE ISO QS-08-5H WHITE |
| 1 | 372018 | 1 | NOZZLE ISO QS-10-5H LT. BLUE |
| 1 | 372019 | 1 | NOZZLE ISO QS-15-5H LT. GREEN |
| 2 | 372002 | 1 | ISO QNTSTRM 015 S-GREEN |
| 2 | 372003 | 1 | ISO QNTSTRM 02 S-YELLOW |
| 2 | 372004 | 1 | ISO QNTSTRM 03 S-BLUE |
| 2 | 372005 | 1 | ISO QNTSTRM 04 S-RED |
| 2 | 372006 | 1 | ISO QNTSTRM 05 S-BROWN |
| 2 | 372007 | 1 | ISO QNTSTRM 06 S-GREY |
| 2 | 372008 | 1 | ISO QNTSTRM 08 S-WHITE |
| 2 | 372009 | 1 | ISO QNTSTRM 10 S-LT.BLU |
| 2 | 372010 | 1 | ISO QNTSTRM 15 S-LT.GRN |



SINGLE NOZZLE BODY



TRIPLET NOZZLE BODY

D1090

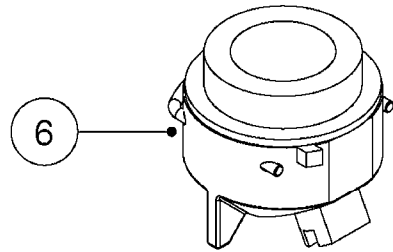
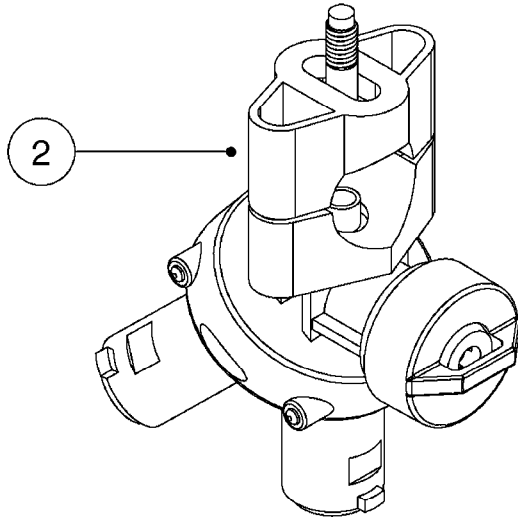
*=REFER TO HARDI NOZZLE CATALOG



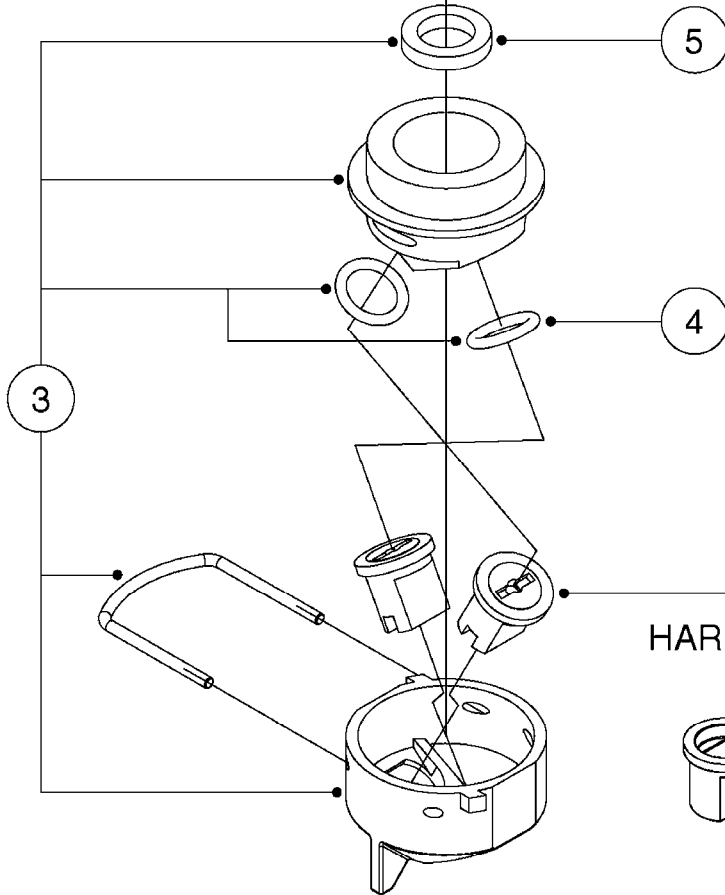
NOZZLE BODIES-SNAP FIT
D1090-HIN, 01:01:16

Page 1
Date 07.02.2020 10:04

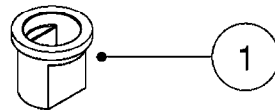
| parts-n° | order qty | description |
|----------|-----------|--------------------------------|
| 143592 | 1 | LOCK CLAMP FOR TRIPLET |
| 241371 | 1 | DIAPHRAGM F.NO-DRIP,VULC |
| 241990 | 1 | O-RING D9.3 X 2.4 VITON |
| 242594 | 1 | O-RING D14 X 1.78 SCH.70-EPDM |
| 242598 | 1 | O-RING D7.0 X 2.5 NITRIL |
| 320187 | 1 | FITT.DK CAP 3/8" BSP BLACK |
| 320283 | 1 | FITT.DK NUT 3/4"BSP |
| 321462 | 1 | CAP F.NO-DRIP ASSY. |
| 322068 | 1 | SNAP-FIT ADAPTER THREAD. HARDI |
| 322114 | 1 | NUT PLASTIC F.NOZZ.H |
| 322116 | 1 | BOLT PLASTIC F.NOZZ.H. |
| 322258 | 1 | HOUSING F.TRIPLET |
| 322260 | 1 | NOZZLE HOLDER LOWER PART |
| 333012 | 1 | NOZZLE HOLD. UPPER PART |
| 334082 | 1 | SNAP-FIT NOZZ.HOLD.CONE BLACK |
| 334102 | 1 | BLANK F.NOZZLE |
| 334172 | 1 | SNAP-FIT NOZZ.HOLD.CONE GREEN |
| 334173 | 1 | SNAP-FIT NOZZ.HOLD.CONE ORANGE |
| 334220 | 1 | YOKE, UPPER NOZZLE BODY |
| 334371 | 1 | SNAP-FIT NOZZLE HOLDER YELLOW |
| 334373 | 1 | SNAP-FIT NOZZLE HOLDER RED |
| 334377 | 1 | SNAP-FIT NOZZLE HOLDER BLUE |
| 334926 | 1 | SNAP-FIT TURN PLATE F TRIPLET |
| 390639 | 1 | O-RING F.NOZZLE FILTER |
| 440665 | 1 | SCREW M4.2X16 STAINLESS |
| 716236 | 1 | FITT.DK HB 1/2" ASSY. F. 3/4" |
| 716413 | 1 | FITT.DK PLUG ASSY. F.NOZ TUBE |
| 724621 | 1 | FITT.DK HB 3/4"ASSY F.3/4" NUT |
| 725042 | 1 | SCREEN 80 MESH W.GASKET, RED |
| 725043 | 1 | SCREEN 50 MESH W.GASKET,BLUE |
| 725044 | 1 | SCREEN 100 MESH W.GASKET,YELLO |
| 725078 | 1 | SNAP-FIT TRIPLET W/O NOZZ HOLD |
| 725079 | 1 | NOZZLE ASSY.SING.SNAP-FIT GREN |
| 729645 | 1 | NON-DRIP SPRING ASSY.GREEN 10 |



COMPLETE ASSEMBLY
WITH NOZZLES



REFER TO
HARDI® NOZZLE CATALOG



D1100

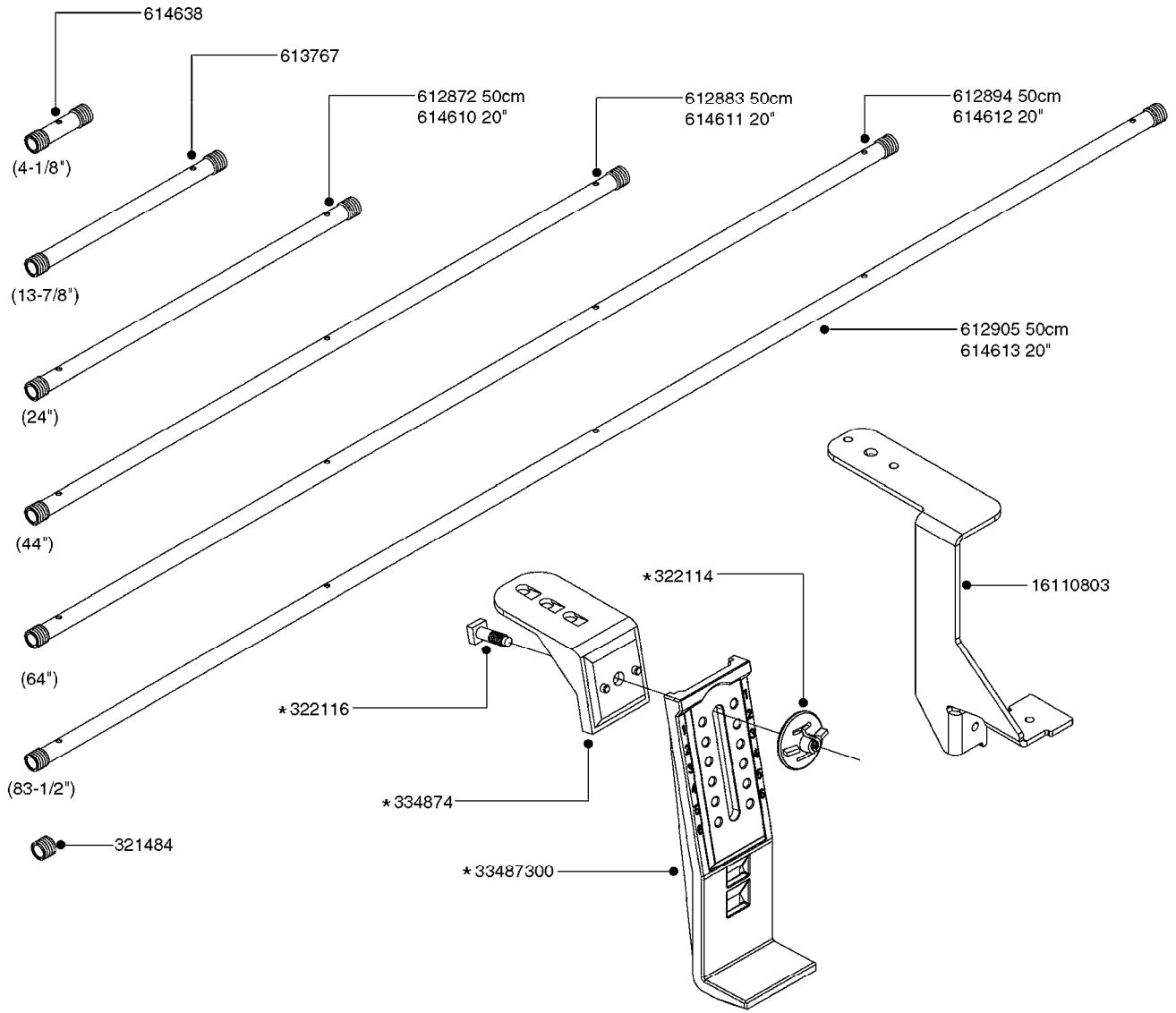


DOUBLE NOZZLE HOLDER-SNAP FIT
D1100-HIN, 01:01:16

Page 1

Date 07.02.2020 10:04

| Pos. | parts-n° | order qty | description |
|------|----------|-----------|--------------------------------|
| 1 | 372140 | 1 | HARDI ISO BLIND CAP |
| 2 | 725078 | 1 | SNAP-FIT TRIPLET W/O NOZZ HOLD |
| 3 | 28032503 | 1 | DOUBLE NOZZLE HOLDER LD ISO |
| 4 | 28040103 | 1 | O-RING F.DOUBLE NOZZLE HOLDER |
| 5 | 28089103 | 1 | GASKET F.DOUBLE NOZZLE HOLDER |
| 6 | 70056803 | 1 | DOUBLE NOZZLE CAP ORANGE LD 01 |
| 6 | 70056903 | 1 | DOUBLE NOZZLE CAP GREEN LD 015 |
| 6 | 70057003 | 1 | DOUBLE NOZZLE CAP YELLOW LD 02 |
| 6 | 70057103 | 1 | DOUBLE NOZZLE CAP LILAC LD 025 |
| 6 | 70057203 | 1 | DOUBLE NOZZLE CAP BLUE LD 03 |
| 6 | 70057303 | 1 | DOUBLE NOZZLE CAP RED LD 04 |
| 6 | 70057403 | 1 | DOUBLE NOZZLE CAP BROWN LD 05 |



*74009003 - BAG OF 5 COMPLETE
*74008903 - BAG OF 10 COMPLETE

| | | |
|--|--------------------------------|-----------------------------|
| | STAINLESS CLAMPS AND INSULATOR | |
| | 100X60MM - 74008203 BAG OF 10 | |
| | 80X60MM - 74008303 BAG OF 10 | 80X60MM - 74008403 BAG OF 5 |
| | 50X50MM - 74008503 BAG OF 10 | 50X50MM - 74008603 BAG OF 5 |
| | 50X30MM - 74008703 BAG OF 10 | 50X30MM - 74008803 BAG OF 5 |

| |
|------------------|
| BLANK TUBES: |
| 614647 - 23-3/4" |
| 614648 - 43-1/4" |
| 614649 - 63" |
| 614650 - 82-1/2" |

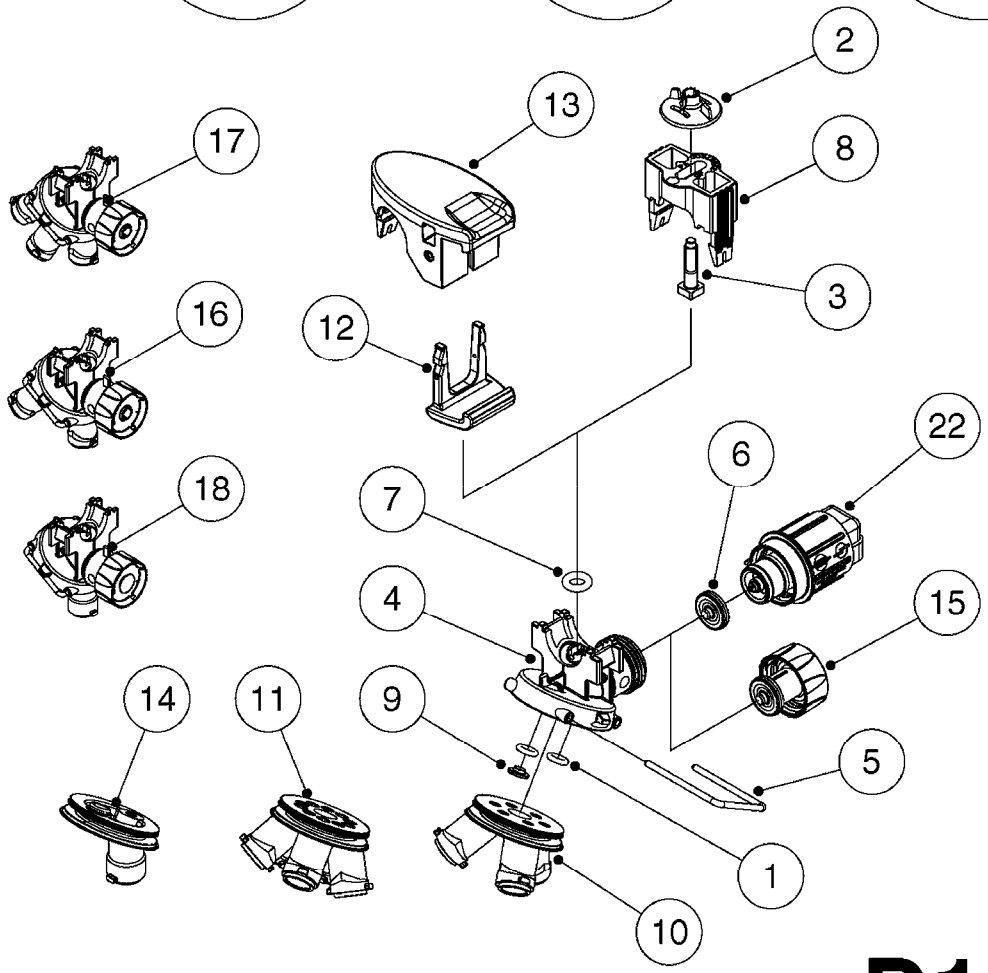
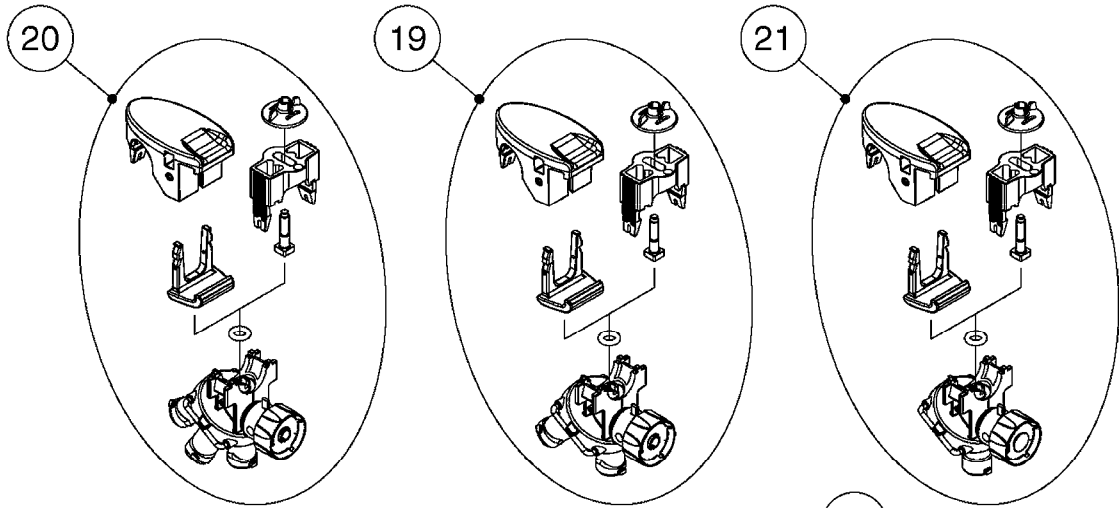
D1110



NOZZLE TUBES & HOLDER-PLASTIC
D1110-HIN, 08:04:19

Page 1
Date 07.02.2020 10:04

| parts-n° | order qty | description |
|----------|-----------|-------------------------------------|
| 321484 | 1 | BUSHING THREADED F.NOZZ.TUBE |
| 322114 | 1 | NUT PLASTIC F.NOZZ.H |
| 322116 | 1 | BOLT PLASTIC F.NOZZ.H. |
| 334874 | 1 | NOZZLE HOLDER - TOP HALF |
| 612872 | 1 | NOZZLE TUBE 2 HOLE L-24"/50CM |
| 612883 | 1 | NOZZLE TUBE 3 HOLE L-44"/50CM |
| 612894 | 1 | NOZZLE TUBE 4 HOLE L-64"/50CM |
| 612905 | 1 | NOZZLE TUBE 5 HOLE L-83.5"/50C |
| 613767 | 1 | NOZZLE TUBE 1 HOLE L-13.875" |
| 614610 | 1 | NOZZLE TUBE 2 HOLE L-24"/SP20" |
| 614611 | 1 | NOZZLE TUBE 3 HOLE L-44"/SP20" |
| 614612 | 1 | NOZZLE TUBE 4 HOLE L-64"/SP20" |
| 614613 | 1 | NOZZLE TUBE 5 HOLE L-83.5"/20" |
| 614638 | 1 | NOZZLE TUBE 1 HOLE L-4.125" |
| 614647 | 1 | NOZZLE TUBE L=600mm NO HOLES |
| 614648 | 1 | NOZZLE TUBE L=1100mm NO HOLES |
| 614649 | 1 | NOZZLE TUBE L=1600mm NO HOLES |
| 614650 | 1 | NOZZLE TUBE L=2100mm NO HOLES |
| 16110803 | 1 | NOZZLE BRACKET VAR SPACINGS |
| 33487300 | 1 | NOZZLE HOLDER - BOTTOM HALF |
| 74008203 | 1 | CLAMP & INSULATOR 100X60 (QTY.10) |
| 74008303 | 1 | CLAMP & INSULATOR 80X60 MM (QTY.10) |
| 74008403 | 1 | CLAMP & INSULATOR 80X60 MM (QTY.5) |
| 74008503 | 1 | CLAMP & INSULATOR 50X50 MM (QTY.10) |
| 74008603 | 1 | CLAMP & INSULATOR 50X50 MM (QTY.5) |
| 74008703 | 1 | CLAMP & INSULATOR 30X50 MM (QTY.10) |
| 74008803 | 1 | CLAMP & INSULATOR 30X50 MM (QTY.5) |
| 74008903 | 1 | NOZZLE HOLDER COMPLETE (QTY.10) |
| 74009003 | 1 | NOZZLE HOLDER COMPLETE (QTY.5) |



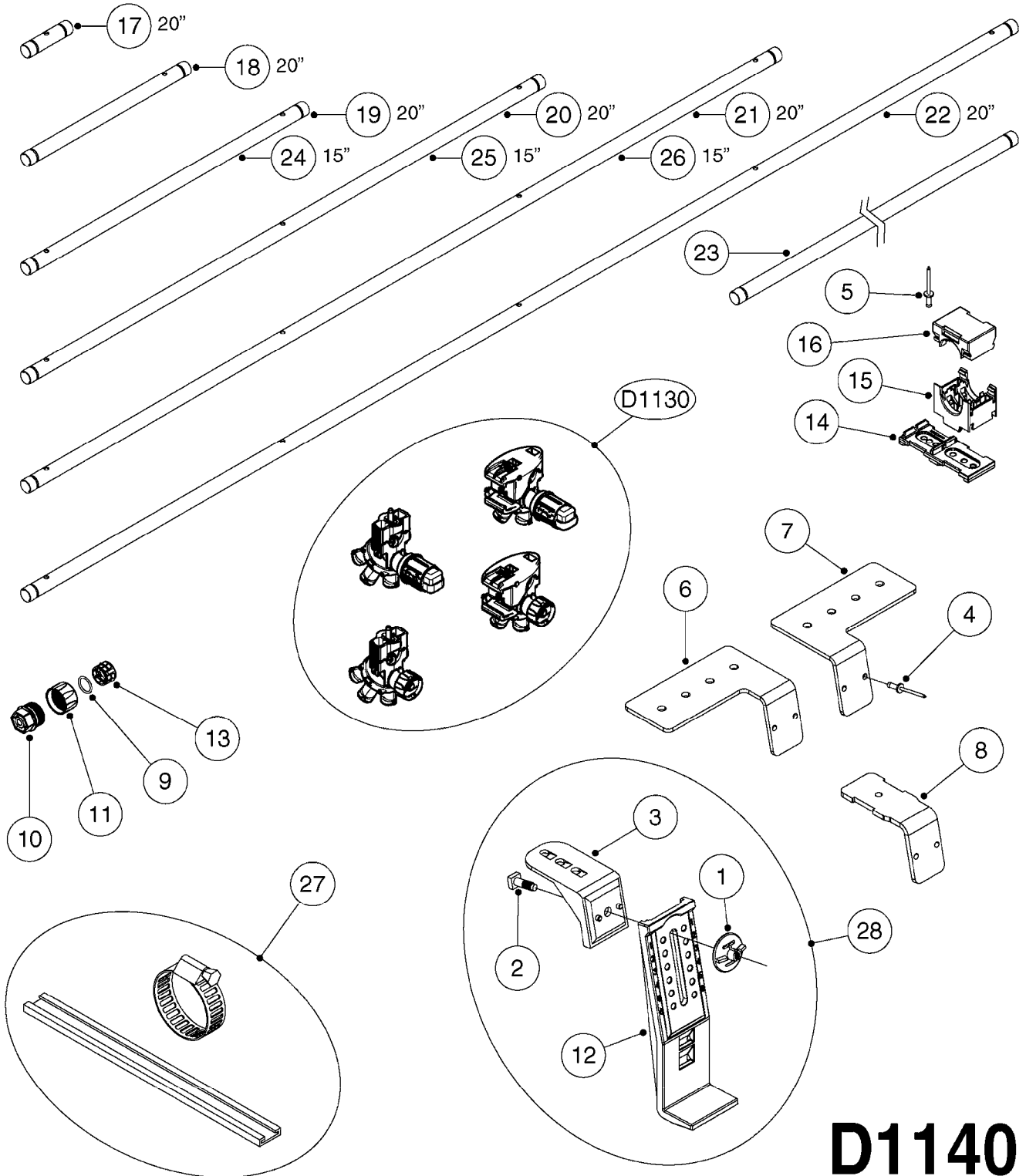
D1130



NOZZLE BODIES - T25
D1130-HIN, 05:04:18

Page 1
Date 07.02.2020 10:04

| Pos. | parts-n° | order qty | description |
|------|----------|-----------|---|
| 1 | 242431 | 1 | O-RING 6.3X2.4 VITON |
| 2 | 322114 | 1 | NUT PLASTIC F.NOZZ.H |
| 3 | 322116 | 1 | BOLT PLASTIC F.NOZZ.H. |
| 3 | 45002100 | 1 | SCREW M6X20 W.SQ.HEAD SS |
| 4 | 322365 | 1 | HOUSING F.Ø25 TUBE TRIP/PENT |
| 5 | 14046100 | 1 | CLAMP Ø3/38 L=51 TRIP/PENT T25 |
| 6 | 24261400 | 1 | MEMBRANE F.NON-DRIP Ø19.8 BLACK EPDM |
| 6 | 24265500 | 1 | NON DRIP MEMBRANE Ø19,8 FPM/VITON BROWN 60A |
| 7 | 24262800 | 1 | O-RING Ø10.69 X 3.53 NITRIL |
| 8 | 33507600 | 1 | TOP,NOZZLE HOLDER T25,BOLT-ON |
| 9 | 33517000 | 1 | STOP F. ROTARY PLATE TRIP/PENT |
| 10 | 33517100 | 1 | ROTARY PLATE F. TRIPLET T25 |
| 11 | 33517200 | 1 | ROTARY PLATE F. PENTALET T25 |
| 12 | 33520200 | 1 | LOCK F. T25 BRACKET |
| 13 | 33520300 | 1 | TOP PLATE T25 NOZZLE '12 30x10 |
| 14 | 33526600 | 1 | SINGLE NOZZLE PLATE, T25 |
| 15 | 72622200 | 1 | NON-DRIP, 1-BAR TRIP/PENT T25 INCLUDES MEMBRANE (24261400) |
| 16 | 72686400 | 1 | TRIPLET Ø25 NON DRIP LOWER |
| 17 | 72686500 | 1 | PENTALET Ø25 NON DRIP LOWER |
| 18 | 73376100 | 1 | SINGLE Ø25 NON DRIP LOWER |
| 19 | 75001403 | 1 | NOZZLE BODY KIT, T25, TRIPLET |
| 20 | 75001503 | 1 | NOZZLE BODY KIT, T25, PENTALET |
| 21 | 75001603 | 1 | NOZZLE BODY KIT, T25, SINGLE |
| 22 | 75085300 | 1 | ACTUATOR PF '11 (SPARE PART) |



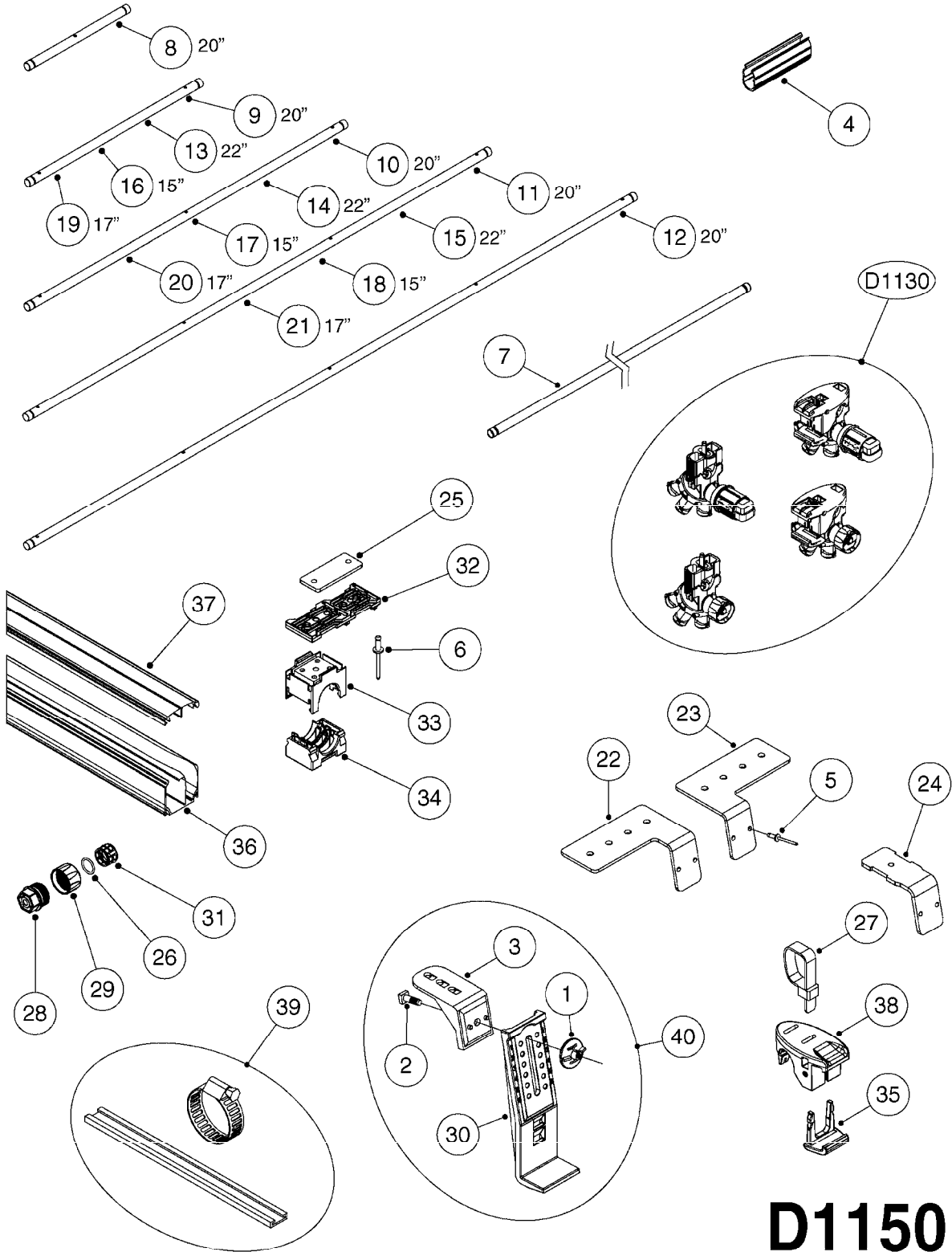
D1140



NOZZLE TUBES - PLASTIC T25
D1140-HIN, 29:11:17

Page 1
Date 07.02.2020 10:04

| Pos. | parts-n° | order qty | description |
|------|----------|-----------|-------------------------------------|
| 1 | 322114 | 1 | NUT PLASTIC F.NOZZ.H |
| 2 | 322116 | 1 | BOLT PLASTIC F.NOZZ.H. |
| 3 | 334874 | 1 | NOZZLE HOLDER - TOP HALF |
| 4 | 480783 | 1 | RIVET Ø4x14, GR 7.9-9.5 ALUM |
| 5 | 480804 | 1 | RIVET Ø4.8x14.5 |
| 6 | 16162503 | 1 | BRACKET,NOZZLE OFFSET,R,BLACK |
| 7 | 16163003 | 1 | BRACKET,NOZZLE OFFSET,L,BLACK |
| 8 | 16380800 | 1 | BRACKET, NOZZLE DUMMY, T25 |
| 9 | 24263000 | 1 | O-RING Ø24.4 X 3.1 NITRIL SH70 |
| 10 | 32239300 | 1 | FITT.DK CAP T25 |
| 11 | 32239700 | 1 | FITT.DK NUT T25 |
| 12 | 33487300 | 1 | NOZZLE HOLDER - BOTTOM HALF |
| 13 | 33515500 | 1 | FITT.DK NUT LOCK RING T25 |
| 14 | 33517900 | 1 | SOCKET F. PIPE HOLDER |
| 15 | 33518000 | 1 | PIPE HOLDER BETWEEN Ø25 |
| 16 | 33518100 | 1 | PIPE HOLDER TOP Ø25 |
| 17 | 34141700 | 1 | NOZ.TUBE-PP, T25 X 200, 1-HOLE |
| 18 | 34141800 | 1 | NOZ.TUBE-PP, T25 X 374, 1-HOLE |
| 19 | 34141900 | 1 | NOZ.TUBE-PP, T25 X 628, 2-20" |
| 20 | 34142000 | 1 | NOZ.TUBE-PP, T25 X 1136, 3-20" |
| 21 | 34142100 | 1 | NOZ.TUBE-PP, T25 X 1644, 4-20" |
| 22 | 34142200 | 1 | NOZ.TUBE-PP, T25 X 2152, 5-20" |
| 23 | 34144800 | 1 | FEED TUBE-PP, T25 X 1020 |
| 23 | 34145400 | 1 | FEED TUBE-PP, T25 X 1270 |
| 23 | 34145500 | 1 | FEED TUBE-PP, T25 X 1320 |
| 23 | 34145600 | 1 | FEED TUBE-PP, T25 X 1370 |
| 23 | 34146900 | 1 | FEED TUBE-PP, T25 X 1970 |
| 23 | 34148000 | 1 | FEED TUBE-PP, T25 X 2470 |
| 23 | 34148200 | 1 | FEED TUBE-PP, T25 X 2570 |
| 23 | 34148300 | 1 | FEED TUBE-PP, T25 X 2620 |
| 23 | 34148800 | 1 | FEED TUBE-PP, T25 X 2820 |
| 23 | 34149600 | 1 | FEED TUBE-PP, T25 X 3170 |
| 23 | 34150400 | 1 | FEED TUBE-PP, T25 X 3570 |
| 23 | 34150700 | 1 | FEED TUBE-PP, T25 X 3670 |
| 23 | 34150800 | 1 | FEED TUBE-PP, T25 X 3720 |
| 23 | 34152500 | 1 | FEED TUBE-PP, T25 X 4520 |
| 24 | 34158600 | 1 | NOZ.TUBE-PP, T25 X 501, 2-15" |
| 25 | 34158700 | 1 | NOZ.TUBE-PP, T25 X 882, 3-15" |
| 26 | 34158800 | 1 | NOZ.TUBE-PP, T25 X 1283, 4-15" |
| 27 | 74008203 | 1 | CLAMP & INSULATOR 100X60 (QTY.10) |
| 27 | 74008303 | 1 | CLAMP & INSULATOR 80X60 MM (QTY.10) |
| 27 | 74008403 | 1 | CLAMP & INSULATOR 80X60 MM (QTY.5) |
| 27 | 74008503 | 1 | CLAMP & INSULATOR 50X50 MM (QTY.10) |
| 27 | 74008603 | 1 | CLAMP & INSULATOR 50X50 MM (QTY.5) |
| 27 | 74008703 | 1 | CLAMP & INSULATOR 30X50 MM (QTY.10) |
| 27 | 74008803 | 1 | CLAMP & INSULATOR 30X50 MM (QTY.5) |
| 28 | 74008903 | 1 | NOZZLE HOLDER COMPLETE (QTY.10) |
| 28 | 74009003 | 1 | NOZZLE HOLDER COMPLETE (QTY.5) |





| Pos. | parts-n° | order qty | description |
|------|----------|-----------|-------------------------------------|
| 1 | 322114 | 1 | NUT PLASTIC F.NOZZ.H |
| 2 | 322116 | 1 | BOLT PLASTIC F.NOZZ.H. |
| 3 | 334874 | 1 | NOZZLE HOLDER - TOP HALF |
| 4 | 341341 | 1 | CABLE HOLDER 250MM |
| 4 | 341342 | 1 | CABLE HOLDER 375MM |
| 5 | 480783 | 1 | RIVET Ø4x14, GR 7.9-9.5 ALUM |
| 6 | 480804 | 1 | RIVET Ø4.8x14.5 |
| 7 | 15149200 | 1 | FEED TUBE-SS, T25 X 1020 |
| 7 | 15149300 | 1 | FEED TUBE-SS, T25 X 1220 |
| 7 | 15149400 | 1 | FEED TUBE-SS, T25 X 2270 |
| 7 | 15149500 | 1 | FEED TUBE-SS, T25 X 2820 |
| 7 | 15149600 | 1 | FEED TUBE-SS, T25 X 3670 |
| 7 | 15149700 | 1 | FEED TUBE-SS, T25 X 4520 |
| 7 | 15149800 | 1 | FEED TUBE-SS, T25 X 2620 |
| 7 | 15149900 | 1 | FEED TUBE-SS, T25 X 3120 |
| 7 | 15154800 | 1 | FEED TUBE-SS, T25 X 3770 |
| 7 | 15154900 | 1 | FEED TUBE-SS, T25 X 1970 |
| 7 | 15155000 | 1 | FEED TUBE-SS, T25 X 2770 |
| 7 | 15155100 | 1 | FEED TUBE-SS, T25 X 3170 |
| 7 | 15155200 | 1 | FEED TUBE-SS, T25 X 3820 |
| 7 | 15155300 | 1 | FEED TUBE-SS, T25 X 5420 |
| 7 | 15155400 | 1 | FEED TUBE-SS, T25 X 4070 |
| 7 | 15155500 | 1 | FEED TUBE-SS, T25 X 4920 |
| 7 | 15180000 | 1 | FEED TUBE-SS, T25 X 4720 |
| 7 | 15180100 | 1 | FEED TUBE-SS, T25 X 3370 |
| 8 | 15155900 | 1 | NOZ.TUBE-SS, T25 X 374, 1-HOLE |
| 9 | 15156000 | 1 | NOZ.TUBE-SS, T25 X 628, 2-20" |
| 10 | 15156100 | 1 | NOZ.TUBE-SS, T25 X 1136, 3-20" |
| 11 | 15156200 | 1 | NOZ.TUBE-SS, T25 X 1644, 4-20" |
| 12 | 15156300 | 1 | NOZ.TUBE-SS, T25 X 2152, 5-20" |
| 13 | 15173800 | 1 | NOZ.TUBE-SS, T25 X 679, 2-22" |
| 14 | 15173900 | 1 | NOZ.TUBE-SS, T25 X 1238, 3-22" |
| 15 | 15174000 | 1 | NOZ.TUBE-SS, T25 X 1797, 4-22" |
| 16 | 15187400 | 1 | NOZ.TUBE-SS, T25 X 501, 2-15" |
| 17 | 15187500 | 1 | NOZ.TUBE-SS, T25 X 882, 3-15" |
| 18 | 15187600 | 1 | NOZ.TUBE-SS, T25 X 1263, 4-15" |
| 19 | 15276200 | 1 | NOZ.TUBE-SS, T25 X 552, 2-17" |
| 20 | 15276300 | 1 | NOZ.TUBE-SS, T25 X 984, 3-17" |
| 21 | 15276400 | 1 | NOZ.TUBE-SS, T25 X 1416, 4-17" |
| 22 | 16162503 | 1 | BRACKET,NOZZLE OFFSET,R,BLACK |
| 23 | 16163003 | 1 | BRACKET,NOZZLE OFFSET,L,BLACK |
| 24 | 16380800 | 1 | BRACKET, NOZZLE DUMMY, T25 |
| 25 | 17015503 | 1 | FLAT BAR, 1/8"X 1", L=60 |
| 26 | 24263000 | 1 | O-RING Ø24.4 X 3.1 NITRIL SH70 |
| 27 | 28025103 | 1 | TIE STRAP L=21" x W=3/8" |
| 28 | 32239300 | 1 | FITT.DK CAP T25 |
| 29 | 32239700 | 1 | FITT.DK NUT T25 |
| 30 | 33487300 | 1 | NOZZLE HOLDER - BOTTOM HALF |
| 31 | 33515500 | 1 | FITT.DK NUT LOCK RING T25 |
| 32 | 33517900 | 1 | SOCKET F. PIPE HOLDER |
| 33 | 33518000 | 1 | PIPE HOLDER BETWEEN Ø25 |
| 34 | 33518100 | 1 | PIPE HOLDER TOP Ø25 |
| 35 | 33520200 | 1 | LOCK F. T25 BRACKET |
| 36 | 34153800 | 1 | CABLE TRAY EL/HY, L=2855 |
| 36 | 34154100 | 1 | CABLE TRAY EL/HY, L=5400 |
| 37 | 34154200 | 1 | CABLE TRAY COVER, L=2855 |
| 37 | 34154500 | 1 | CABLE TRAY COVER, L=5400 |
| 38 | 39134800 | 1 | NOZZLE TUBE DUMMY BRACKET T25 |
| 39 | 74008203 | 1 | CLAMP & INSULATOR 100X60 (QTY.10) |
| 39 | 74008303 | 1 | CLAMP & INSULATOR 80X60 MM (QTY.10) |
| 39 | 74008403 | 1 | CLAMP & INSULATOR 80X60 MM (QTY.5) |

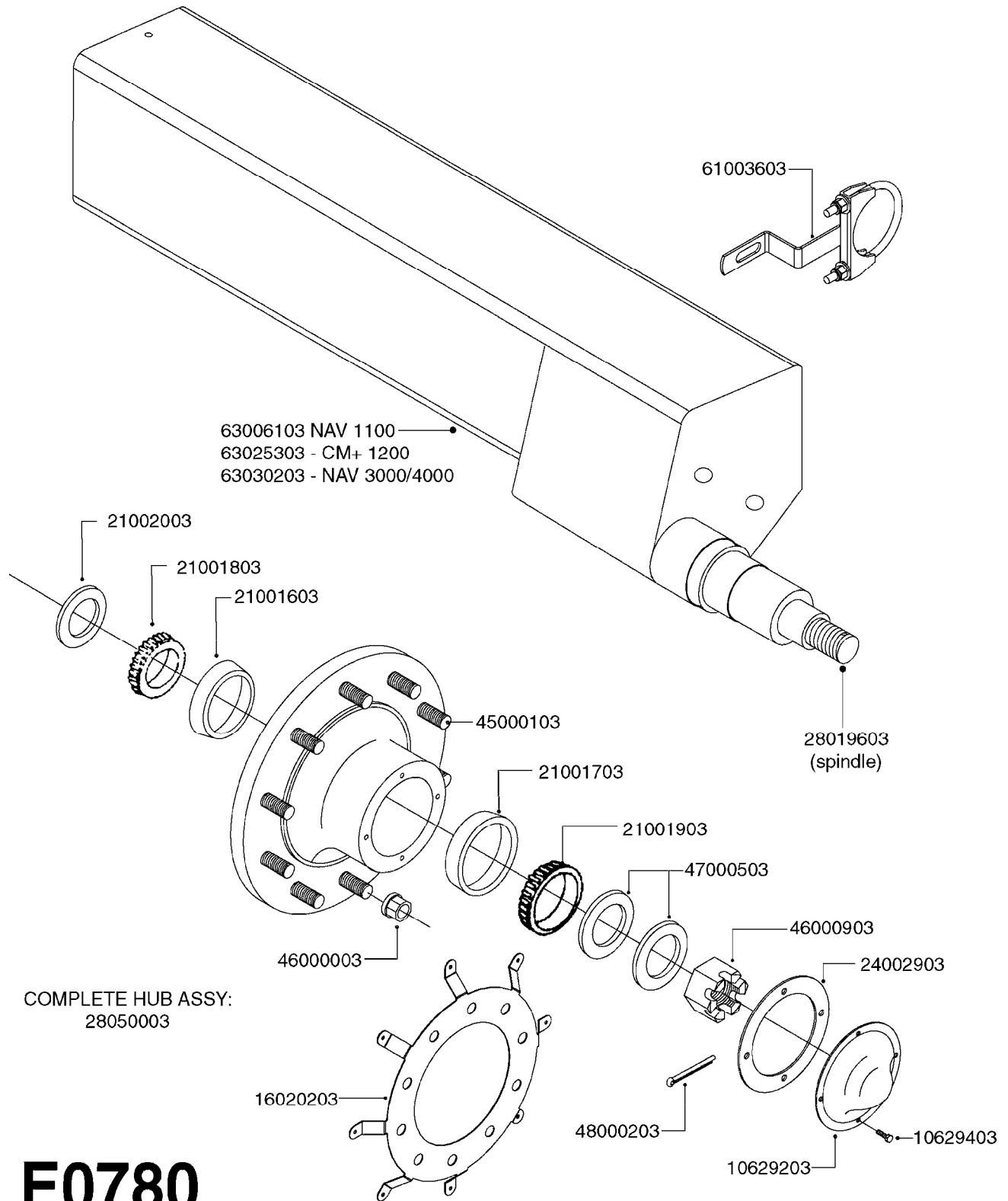


NOZZLE TUBES - STNLS STEEL T25
D1150-HIN, 01:03:18

Page 2

Date 07.02.2020 10:04

| Pos. | parts-n° | order qty | description |
|------|----------|-----------|-------------------------------------|
| 39 | 74008503 | 1 | CLAMP & INSULATOR 50X50 MM (QTY.10) |
| 39 | 74008603 | 1 | CLAMP & INSULATOR 50X50 MM (QTY.5) |
| 39 | 74008703 | 1 | CLAMP & INSULATOR 30X50 MM (QTY.10) |
| 39 | 74008803 | 1 | CLAMP & INSULATOR 30X50 MM (QTY.5) |
| 40 | 74008903 | 1 | NOZZLE HOLDER COMPLETE (QTY.10) |
| 40 | 74009003 | 1 | NOZZLE HOLDER COMPLETE (QTY.5) |

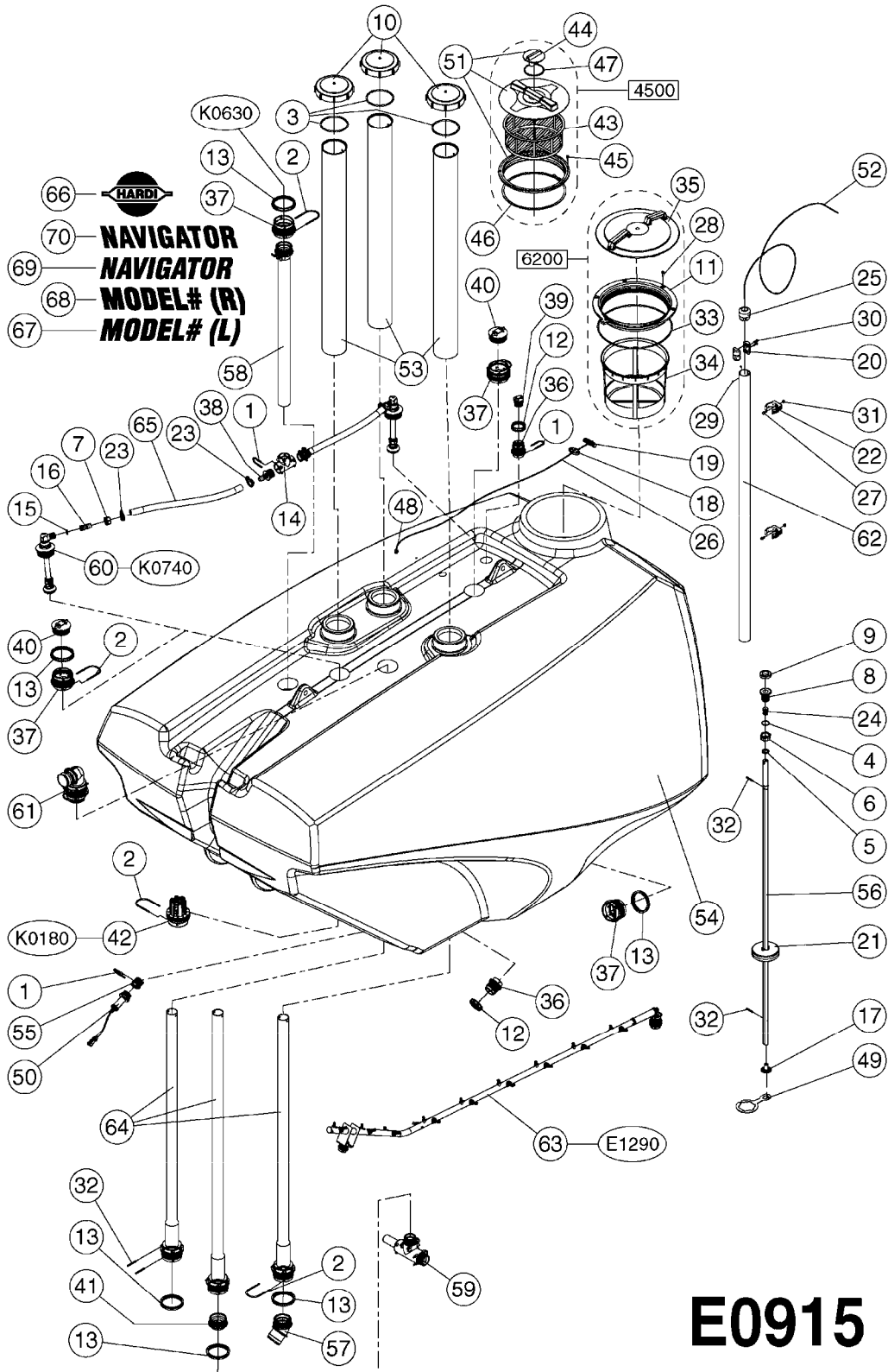




HUB ASSEMBLY F.3-1/2" SPINDLE
E0780-HIN, 01:01:16

Page 1
Date 07.02.2020 10:04

| parts-n° | order qty | description |
|----------|-----------|--------------------------------|
| 10629203 | 1 | DUST CAP F.10 BOLT HUB 3.5" |
| 10629403 | 1 | BOLT HEX 5/16 NC GR.2 00.50" |
| 16020203 | 1 | WHEEL SENSOR MAGNET MNT 10BLT |
| 21001603 | 1 | BEARING INN CUP 873 HUB 33462 |
| 21001703 | 1 | BEARING OUT CUP 873 HUB 453A |
| 21001803 | 1 | BEARING INN CONE 873 HUB 33275 |
| 21001903 | 1 | BEARING OUT CONE 873 HUB 460 |
| 21002003 | 1 | SEAL GREASE P602127 |
| 24002903 | 1 | GASKET F. HUB 3.5" HUB ASSY |
| 28019603 | 1 | SPINDLE, 3.50 X 17.375 CRS |
| 28050003 | 1 | HUB F 3.5" 873 15000# PACKAGE |
| 45000103 | 1 | BOLT, WHEEL STUD 3/4-16X2 3/4 |
| 46000003 | 1 | NUT HEX NF 3/4" FLANGED F.HUB |
| 46000903 | 1 | NUT CSTL 1-1/4"NF 3-1/2" SPNDL |
| 47000503 | 1 | WASHER, SPNDL 3.5" 1.31x3 .16T |
| 48000203 | 1 | PIN, COTTER 7/32" X 3.00" |
| 61003603 | 1 | SPEED SNS MNT CLAMP 3.5" SP |
| 63006103 | 1 | AXLE INSERT W/M NAV. 1100 |
| 63025303 | 1 | AXLE INSRT CM+1200W.SPDL 71-82 |
| 63030203 | 1 | AXLE ADJ 60-120 INSERT NAV DBL |



E0915



TANK - NAVIGATOR 4500/6200
E0915-HIN, 10:08:18

Page 1

Date 07.02.2020 10:04

| Pos. | parts-n° | order qty | description |
|------|----------|-----------|---|
| 1 | 145995 | 1 | FITT.DK S-53 FORK |
| 2 | 145997 | 1 | FITT.DK S-93 FORK |
| 3 | 241415 | 1 | O-RING D117.5X5.33 NITRIL |
| 4 | 242262 | 1 | O-RING D31X3 VITON |
| 5 | 242309 | 1 | SEAL Ø22 ID Ø30 OD X 4 HIGH |
| 6 | 320095 | 1 | FITT.DK NUT 1" BSP |
| 7 | 320283 | 1 | FITT.DK NUT 3/4"BSP |
| 8 | 320467 | 1 | FITT.DK BULKHEAD 1"BSP SINGLE |
| 9 | 320471 | 1 | FITT.DK NUT 1" BSP JAMB |
| 10 | 321591 | 1 | LID 150MM NAV TK & FOAM MARKER |
| 11 | 322097 | 1 | THREADED RING F. LID |
| 12 | 322107 | 1 | FITT.DK S-53 BULKHEAD NUT |
| 13 | 322109 | 1 | FITT.DK S-93 BULKHEAD NUT |
| 14 | 322352 | 1 | FITT.DK S-53 TEE |
| 15 | 330595 | 1 | O-RING D24.6/D20X2.1 -3/4" |
| 16 | 330691 | 1 | FITT.DK HB 3/4'F.3/4' NUT |
| 17 | 333864 | 1 | GUIDE F. SAFETY VALVE SPRING |
| 18 | 334469 | 1 | CLEVIS F.CORD TOP DRAIN ASSY. |
| 19 | 334472 | 1 | HANDLE FOR TOP DRAIN |
| 20 | 334513 | 1 | MARKER HALF SIGHT GAUGE |
| 21 | 334515 | 1 | FLOATER FOR LIQUID LEVEL |
| 22 | 334523 | 1 | PIPE HOLDER Ø51.5 |
| 23 | 334531 | 1 | CLAMP HOSE PLASTIC 3/4" |
| 24 | 334849 | 1 | SIGHT GAUGE GUIDE F. SS TUBE |
| 25 | 334850 | 1 | GUIDE F. SIGHT GAUGE TUBE TOP |
| 26 | 390401 | 1 | CORD NYLON F.LID 900MM |
| 27 | 410185 | 1 | BOLT HEX 8.8 DEL M6X16 |
| 28 | 440392 | 1 | SCREW 6.3 X 25.0 DIN7981C TORX |
| 29 | 440663 | 1 | SCREW 3/8" NR4 STAINLESS |
| 30 | 440677 | 1 | SCREW F. PLASTIC 5X20 SS |
| 31 | 460261 | 1 | NUT HEX M6X1.00 LOCK DIN985 A2 SS |
| 32 | 480717 | 1 | PIN E 5X40 SST |
| 33 | 614588 | 1 | SEAL F. LID |
| 34 | 614602 | 1 | FILTER BASKET |
| 35 | 726003 | 1 | LID F. TANK |
| 36 | 726463 | 1 | FITT.DK S53 BULKHEAD W/GASKET |
| 37 | 726465 | 1 | FITT.DK S-93 BULKHEAD W/GASKET |
| 38 | 726558 | 1 | FITT.DK S53 STR. 3/4" W.ORING |
| 39 | 726578 | 1 | FITT.DK S53 PLUG WITH O-RING |
| 40 | 726580 | 1 | FITT. S93 PLUG W/O-RING |
| 41 | 728562 | 1 | FITT.DK S-93 TO S67 ADAPTOR |
| 42 | 730084 | 1 | BOTTOM VALVE S93 2"RG-3M |
| 43 | 10045303 | 1 | FILTER BASKET 16" |
| 44 | 10052203 | 1 | LID VENT ASSY |
| 45 | 10054503 | 1 | SCREW 3/4" SELF TAPPING |
| 46 | 10064203 | 1 | SET SEALING SPONGE 1 Ft BULK |
| 47 | 10102203 | 1 | GASKET F.16" LID BREATHER |
| 48 | 14001500 | 1 | GROMMET F.TOP DRAIN CORD |
| 49 | 16135600 | 1 | GUIDE FOR SIGHT GAUGE NAV/NCM |
| 50 | 26014100 | 1 | TANK SENSOR-ELECTRONIC |
| 51 | 28014203 | 1 | LID ASSY. (3-PC.) 16" ARAG |
| 52 | 28034100 | 1 | CABLE F.LIQUID LEVEL IND. SS L=5M |
| 53 | 28082200 | 1 | DROP TUBE Ø110/L=1120 NAV3000 |
| 53 | 28082300 | 1 | DROP TUBE Ø110/L=1270 NAV4000 |
| 54 | 35003703 | 1 | TANK, MAIN 4000L NAVIGATOR |
| 54 | 35185400 | 1 | TANK. 6000L UNDRILLED. NAVIGATOR. NO DECALS |
| 55 | 39123100 | 1 | ADAPTER S53/1" RG. |
| 56 | 61036700 | 1 | GUIDE TUBE F.FLOATER, L=1850, NV4000/CM4400 |
| 56 | 61098200 | 1 | GUIDE TUBE F. FLOATER NAV 6000 |
| 57 | 72072900 | 1 | FITT. S93 2-1/2" 45° S W/O-RING |
| 58 | 72099100 | 1 | QUICK FILL 2" DROP TUBE ASSY |

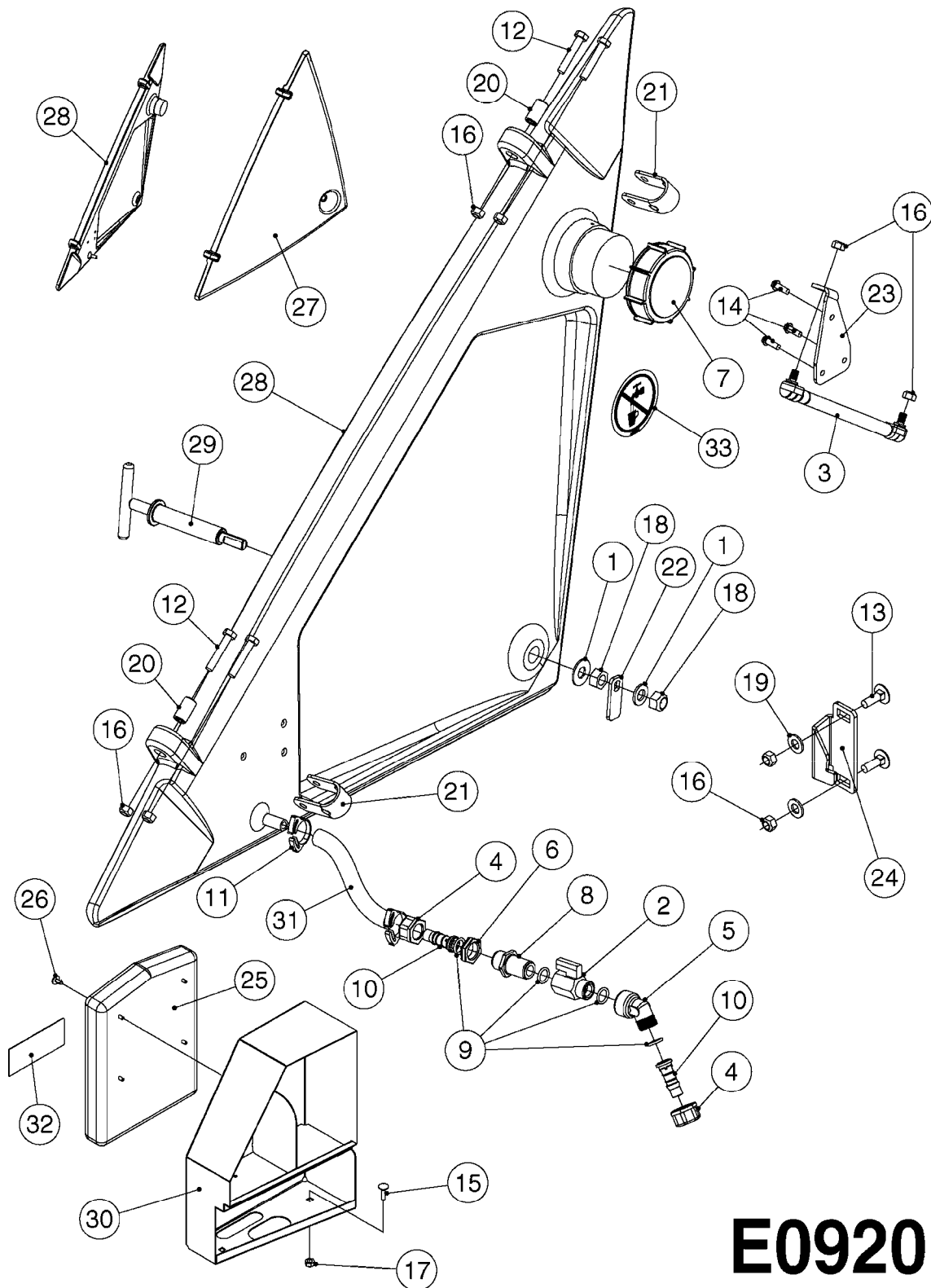


TANK - NAVIGATOR 4500/6200
E0915-HIN, 10:08:18

Page 2

Date 07.02.2020 10:04

| Pos. | parts-n° | order qty | description |
|------|----------|-----------|--|
| 59 | 72280300 | 1 | SAFTY VALVE S67 15 BAR CM'05 |
| 60 | 72358000 | 1 | TANK RINSE LOW MOD.ASSMBLY NCM |
| 61 | 72374800 | 1 | TANK VENT S93 2-1/2" NAV/NCM |
| 62 | 72542700 | 1 | SIGHT GAUGE W/DECAL NAV 4000 G |
| 62 | 72968700 | 1 | SIGHT GAUGE W/DECAL NAV 6000 G |
| 63 | 72880900 | 1 | SPARGETUBE NAV4500 COMPLETE |
| 63 | 72890800 | 1 | SPARGETUBE NAV6200 COMPLETE |
| 64 | 72889800 | 1 | RISER 2" S93 L=1780 NAV 5/6000 |
| 65 | 92703203 | 1 | HOSE R X3/4" X300PSI WP X0012" |
| 66 | 97617003 | 1 | DECAL - HARDI 3D LOGO F.TANK 335 X 210 |
| 67 | 97620203 | 1 | DECAL 4500 LEFT |
| 67 | 97617303 | 1 | DECAL 6000 LEFT |
| 67 | 97620403 | 1 | DECAL 6200 LEFT |
| 68 | 97620303 | 1 | DECAL 4500 RIGHT |
| 68 | 97617403 | 1 | DECAL 6000 RIGHT |
| 68 | 97620503 | 1 | DECAL 6200 RIGHT |
| 69 | 97819300 | 1 | DECAL NAVIGATOR LEFT 06 |
| 70 | 97819400 | 1 | DECAL NAVIGATOR RIGHT 06 |



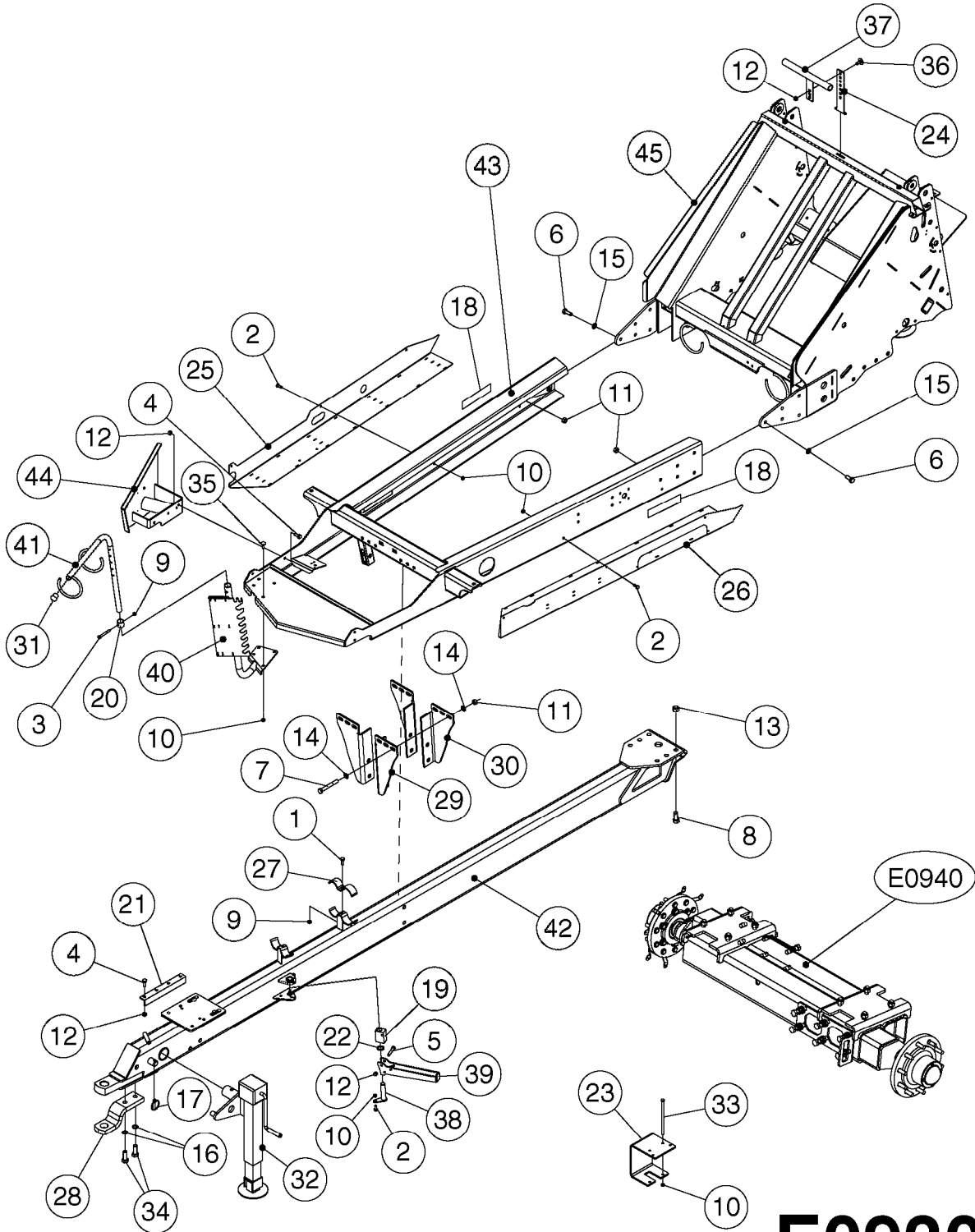
E0920



LOCKER & CLEAN WATER TANK NAV
E0920-HIN, 01:01:16

Page 1
Date 07.02.2020 10:04

| Pos. | parts-n° | order qty | description |
|------|----------|-----------|--|
| 1 | 160521 | 1 | WASHER D30.5/D13X2 |
| 2 | 281551 | 1 | BALL VALVE 1/2" |
| 3 | 285793 | 1 | GAS CYLINDER |
| 4 | 320084 | 1 | FITT.DK NUT 1/2" BSP |
| 5 | 320482 | 1 | FITT.DK ELB. 1/2" BSP 60 DEG. |
| 6 | 321307 | 1 | FITT.DK NUT 1/2" BSP JAMB |
| 7 | 321322 | 1 | SCREW CAP F. S80 X 4 |
| 8 | 321742 | 1 | FITT.DK BULKHEAD 1/2' BSP |
| 9 | 330212 | 1 | O-RING D19/D14X2.4 F.1/2"NUT |
| 10 | 330687 | 1 | FITT.DK HB 1/2" F. 1/2" NUT |
| 11 | 334534 | 1 | CLAMP HOSE PLASTIC 1/2" |
| 12 | 420766 | 1 | BOLT HEX M8-45/22 SST A2 DIN931 |
| 13 | 440695 | 1 | BOLT CARRIAGE M8X25 |
| 14 | 440698 | 1 | SCREW F.PLASTIC 6X18 SS HEXHD |
| 15 | 440737 | 1 | BOLT CARRIAGE M10x25 SS |
| 16 | 460143 | 1 | SELF LOCK NUT M8 SST A2 DIN985 |
| 17 | 460423 | 1 | NUT HEX M10X1.50 LOCK DIN985A2 SS |
| 18 | 460703 | 1 | NUT HEX M12X1.75 LOCK DIN985A2 SS |
| 19 | 471122 | 1 | WASHER, M10, Ø20/10.5X 2.0, SS |
| 20 | 14072600 | 1 | BUSHING FOR NAV SHIELD |
| 21 | 16213600 | 1 | U-CLAMP FOR NAVIGATOR |
| 22 | 16215900 | 1 | LOCKING DEVICE F.SIDE SHIELD |
| 23 | 16225500 | 1 | BRACKET F.GAS CYLINDER NAV. |
| 24 | 16226300 | 1 | PLATE, LOCK CHEEK NAV LEFT,RAW FOR LEFT SIDE SHIELD (NOT SHOWN) |
| 24 | 16226500 | 1 | PLATE, LOCK CHEEK NV RIGHT,RAW FOR RIGHT SIDE SHIELD (SHOWN) |
| 25 | 29003003 | 1 | MANUAL HOLDER, FLAT |
| 26 | 29003103 | 1 | PLASTIC PUSH RIVET, 1/4" HOLE |
| 27 | 35179100 | 1 | SIDE SHIELD L. NAVIGATOR |
| 28 | 35180000 | 1 | SIDE SHIELD CLEAN WATER R.NAV |
| 29 | 61049000 | 1 | HANDLE FOR SIDE SHIELD |
| 30 | 63062300 | 1 | SAFETYLOCKER NAVIGATOR PAINTED |
| 31 | 92702103 | 1 | HOSE R X1/2" X300PSI WP X0012" |
| 32 | 97607503 | 1 | DECAL-OPERATOR'S MANUAL (LRG.) |
| 33 | 97802300 | 1 | DECAL - NOT DRINKING WATER D60 |



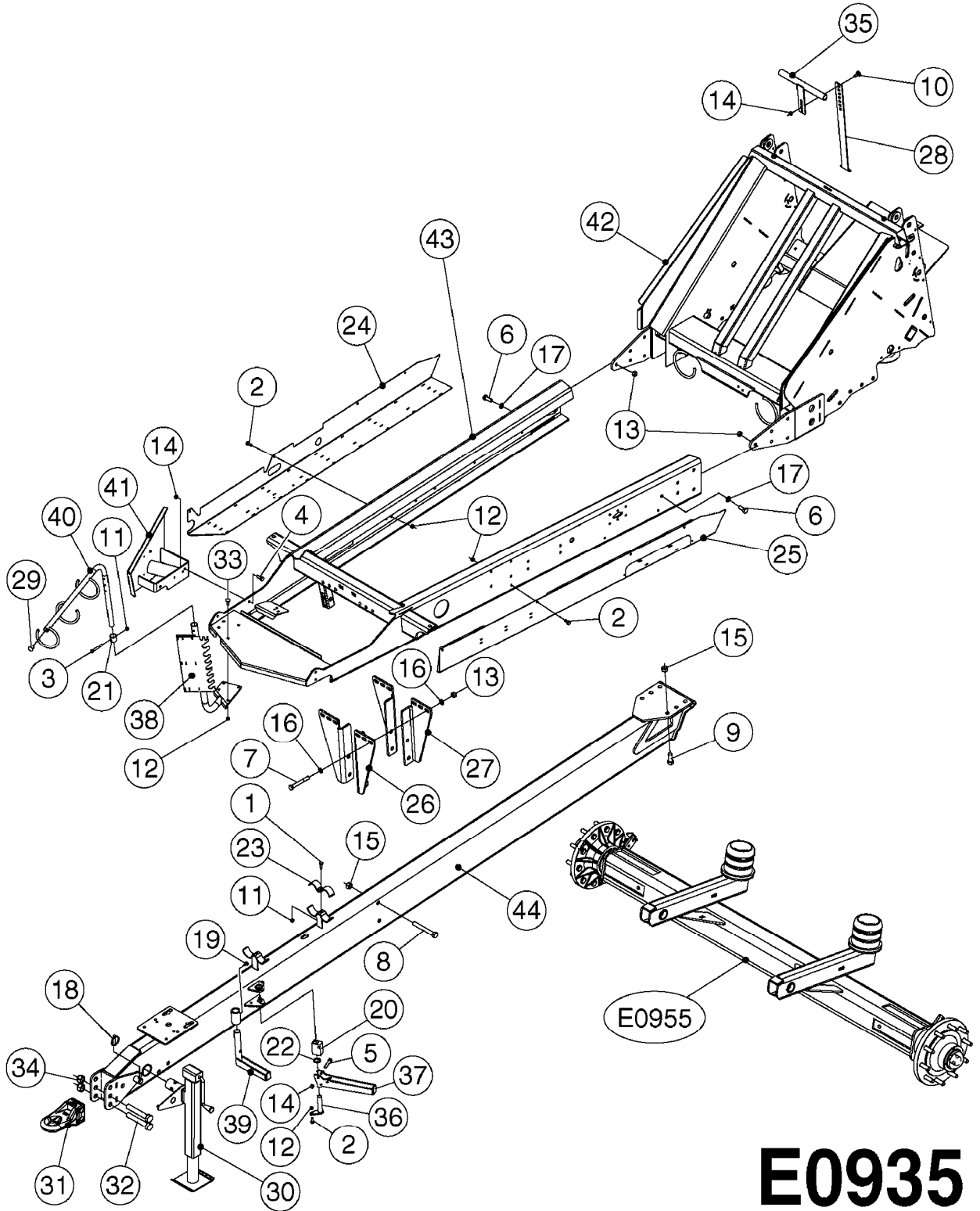
E0930



FRAME-NAVIGATOR 3000/3500/4000
E0930-HIN, 12:07:17

Page 1
Date 07.02.2020 10:04

| Pos. | parts-n° | order qty | description |
|------|----------|-----------|--|
| 1 | 420567 | 1 | BOLT HEX 8.8 DEL M8X30 FT |
| 2 | 420604 | 1 | BOLT HEX 8.8 DEL M10X25 FT DIN933 |
| 3 | 420766 | 1 | BOLT HEX M8-45/22 SST A2 DIN931 |
| 4 | 430286 | 1 | BOLT HEX 8.8 DEL M12X30 FT |
| 5 | 430438 | 1 | BOLT HEX 8.8 DEL M12X65 |
| 6 | 430581 | 1 | BOLT HEX 8.8 DEL M16X40 FT |
| 7 | 430864 | 1 | BOLT HEX 8.8 DEL M16X120 |
| 8 | 430890 | 1 | BOLT HEX 8.8 DEL M20X50 |
| 9 | 460143 | 1 | SELF LOCK NUT M8 SST A2 DIN985 |
| 10 | 460423 | 1 | NUT HEX M10X1.50 LOCK DIN985A2 SS |
| 11 | 460585 | 1 | LOCKING NUT M16 DIN985 A2 SS |
| 12 | 460703 | 1 | NUT HEX M12X1.75 LOCK DIN985A2 SS |
| 13 | 460806 | 1 | NUT HEX M20X2.50 LOCK DIN985A2 SS |
| 14 | 471128 | 1 | WASHER, M16, Ø30/17.0X 3.0, SS |
| 15 | 471168 | 1 | PAIR OF WASHERS NL16 17X25,4x3,4 |
| 16 | 471180 | 1 | LOCK WASHER NORDLOCK M20 ELZ |
| 17 | 480303 | 1 | PIN 7/16 SNAP RING |
| 18 | 10533903 | 1 | DECAL REFLECTIVE AMBER 50X230 |
| 19 | 14073600 | 1 | 50X35X75 BRACKET F.STEP |
| 20 | 15116700 | 1 | BUSHING NAVIGATOR HOSE HOLDER |
| 21 | 16116803 | 1 | PLATE, PUMP MOUNT NAVIGATOR ONLY ON FRAMES BUILT BEFORE 9/2008 |
| 22 | 16127500 | 1 | WASHER D40.0/27.0/2.0/RED |
| 23 | 16159803 | 1 | BRKT, ACE 650, US NAV ACE 650 BRACKET F.LONG DRAWBAR |
| 23 | 16162103 | 1 | BRKT, ACE 650, DK NAV ACE 650 BRACKET FOR STD. DRAWBAR |
| 24 | 16198600 | 1 | T FOR REAR NAV TANK MOUNT B |
| 25 | 16212600 | 1 | CABLE TRAY NAV RIGHT |
| 26 | 16212800 | 1 | CABLE TRAY NAV LEFT |
| 27 | 16216500 | 1 | CLAMP, PUMP HOSES NAVIGATOR |
| 28 | 16391700 | 1 | FLATBAR F. CLEVIS, PAINTED |
| 29 | 16441600 | 1 | BRKT, DB TO FRAME 1 (2014) |
| 30 | 16441800 | 1 | BRKT, DB TO FRAME 2 (2014) |
| 31 | 28046400 | 1 | PIPE PLUG Ø25/1.0-2.0, BLACK |
| 32 | 28082600 | 1 | SUPPORT LEG F. NAV, CM+3000KG |
| 33 | 42000103 | 1 | BOLT HEX 8.8 DEL M10X230 |
| 34 | 43000803 | 1 | BOLT HEX M20 X 70MM DEL - FT |
| 35 | 44074300 | 1 | BOLT CARRIAGE M10x30 SS |
| 36 | 45001300 | 1 | CARRIAGE BOLT M12X35 DIN603 A2 |
| 37 | 61044000 | 1 | T FOR REAR NAV TANK MOUNT A |
| 38 | 61048100 | 1 | PIN D24.8 L=107 |
| 39 | 61050100 | 1 | PAINTED STEP F.NAV |
| 40 | 61053300 | 1 | HOSE HOLDER LOWER NAVIGATOR |
| 41 | 61053400 | 1 | HOSE HOLDER UPPER NAVIGATOR |
| 42 | 63036903 | 1 | DRAWBAR FOR NAV-120' SPC LONG DRAWBAR (FOR 120'/90' DUAL FOLD BOOM) |
| 42 | 63052700 | 1 | DRAWBAR D42 NAVIGATOR RED STANDARD (SHORT) DRAWBAR |
| 43 | 63057700 | 1 | FRAME MID "A" SHAPE NAVIGATOR |
| 44 | 63068000 | 1 | SHIELD NAV RIGHT JACK MOUNT |
| 45 | 63144300 | 1 | REAR CHASSIS F.NAV. '13 |



E0935



FRAME-NAVIGATOR 6000
E0935-HIN, 06:07:17

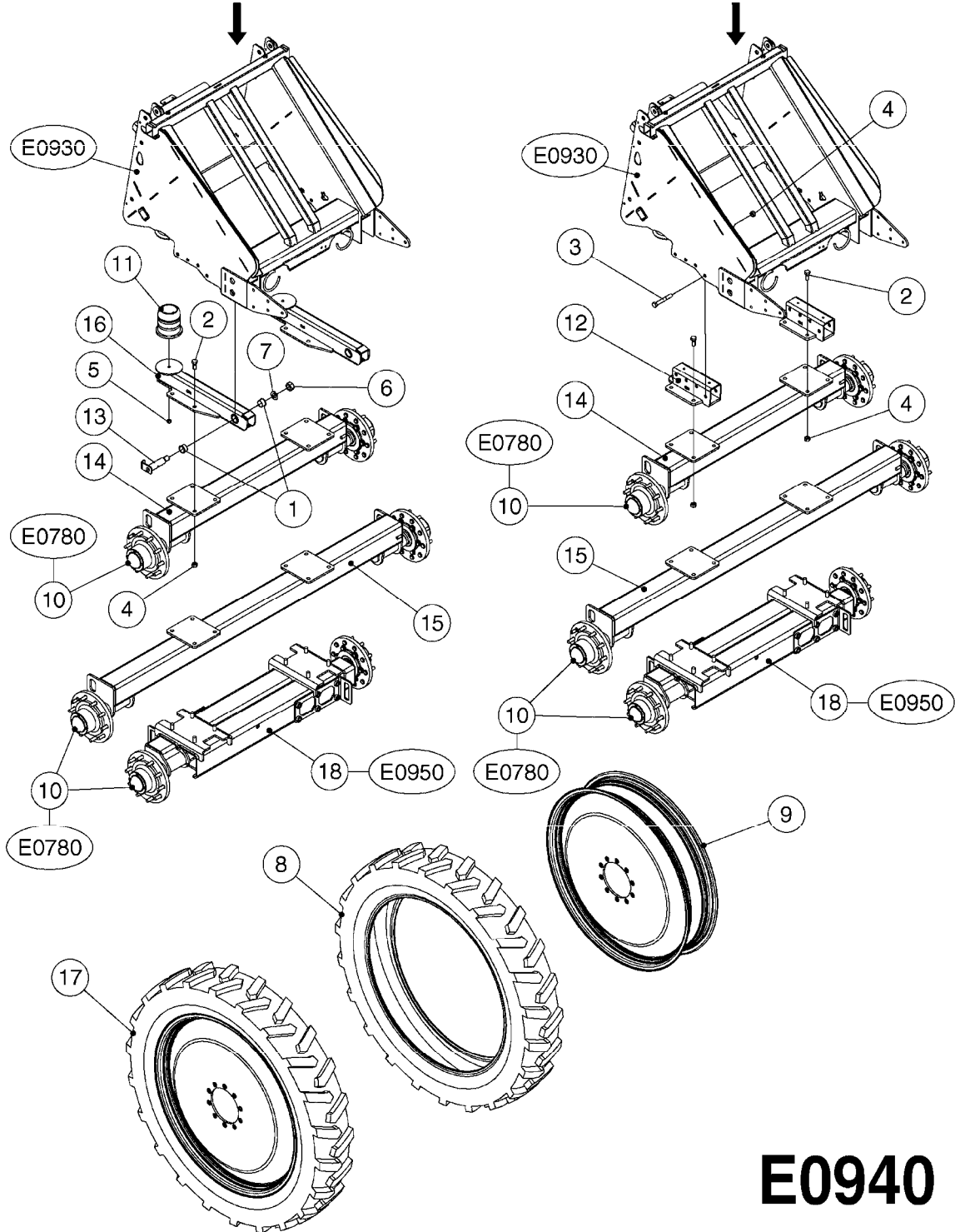
Page 1
Date 07.02.2020 10:04

| Pos. | parts-n° | order qty | description |
|------|----------|-----------|---|
| 1 | 420567 | 1 | BOLT HEX 8.8 DEL M8X30 FT |
| 2 | 420604 | 1 | BOLT HEX 8.8 DEL M10X25 FT DIN933 |
| 3 | 420744 | 1 | BOLT HEX 8.8 DEL M8X40 |
| 4 | 430286 | 1 | BOLT HEX 8.8 DEL M12X30 FT |
| 5 | 430438 | 1 | BOLT HEX 8.8 DEL M12X65 |
| 6 | 430581 | 1 | BOLT HEX 8.8 DEL M16X40 FT |
| 7 | 430864 | 1 | BOLT HEX 8.8 DEL M16X120 |
| 8 | 430886 | 1 | BOLT HEX 8.8 DEL M20X160 |
| 9 | 430890 | 1 | BOLT HEX 8.8 DEL M20X50 |
| 10 | 451070 | 1 | CARRIAGE BOLT M12X30 |
| 11 | 460143 | 1 | SELF LOCK NUT M8 SST A2 DIN985 |
| 12 | 460423 | 1 | NUT HEX M10X1.50 LOCK DIN985A2 SS |
| 13 | 460585 | 1 | LOCKING NUT M16 DIN985 A2 SS |
| 14 | 460703 | 1 | NUT HEX M12X1.75 LOCK DIN985A2 SS |
| 15 | 460806 | 1 | NUT HEX M20X2.50 LOCK DIN985A2 SS |
| 16 | 471128 | 1 | WASHER, M16, Ø30/17.0X 3.0, SS |
| 17 | 471168 | 1 | PAIR OF WASHERS NL16 17X25,4x3,4 |
| 18 | 480303 | 1 | PIN 7/16 SNAP RING |
| 19 | 14057200 | 1 | MSK.SKR.M10X 16 RST BEARB. Ø8 |
| 20 | 14073600 | 1 | 50X35X75 BRACKET F.STEP |
| 21 | 15116700 | 1 | BUSHING NAVIGATOR HOSE HOLDER |
| 22 | 16127500 | 1 | WASHER D40.0/27.0/2.0/RED |
| 23 | 16216500 | 1 | CLAMP, PUMP HOSES NAVIGATOR |
| 24 | 16362100 | 1 | CABLE TRAY NAV 5/6000 RIGHT |
| 25 | 16362200 | 1 | CABLE TRAY NAV 5/6000 LEFT |
| 26 | 16377300 | 1 | BRACKET ANGLE DRAWBAR TO FRAME R., NAV 5/6000 |
| 27 | 16377500 | 1 | BRACKET ANGLE DRAWBAR TO FRAME L., NAV 5/6000 |
| 28 | 16379600 | 1 | T FOR REAR NAV 5/6000 TANK MOUNT B |
| 29 | 28046400 | 1 | PIPE PLUG Ø25/1.0-2.0, BLACK |
| 30 | 28082600 | 1 | SUPPORT LEG F. NAV, CM+3000KG |
| 31 | 28091403 | 1 | HITCH BASE, CAT.3, NAV 6000, PAINTED |
| 32 | 43001203 | 1 | BOLT HEX 1" DEL GR.8 6.25" |
| 33 | 44074300 | 1 | BOLT CARRIAGE M10x30 SS |
| 34 | 46001903 | 1 | NUT HEX 1" LOCK SS |
| 35 | 61044000 | 1 | T FOR REAR NAV TANK MOUNT A |
| 36 | 61048100 | 1 | PIN D24.8 L=107 |
| 37 | 61050100 | 1 | PAINTED STEP F.NAV |
| 38 | 61053300 | 1 | HOSE HOLDER LOWER NAVIGATOR |
| 39 | 61077900 | 1 | FOOTSTEP F.DRAWBAR, LOWER |
| 40 | 61096400 | 1 | HOSE HOLDER NAV 5/6000 |
| 41 | 63068000 | 1 | SHIELD NAV RIGHT JACK MOUNT |
| 42 | 63144300 | 1 | REAR CHASSIS F.NAV. '13 |
| 43 | 63144500 | 1 | FRAME MID "A" SHAPE NAVIGATOR 5/6000 |
| 44 | 63167100 | 1 | DRAWBAR ASSY. F.NAV 5/6000 |



SUSPENDED
AXLE SYSTEM

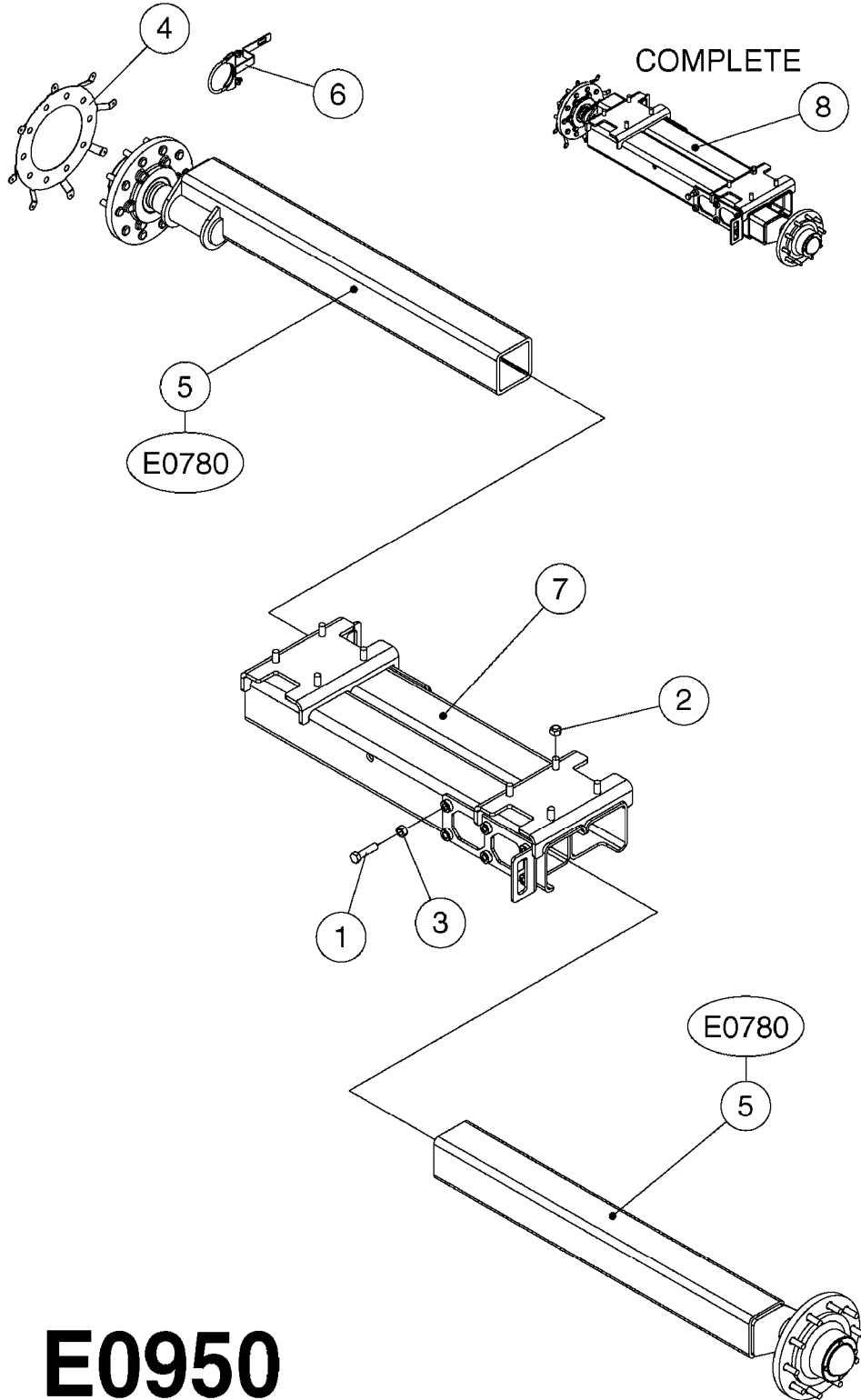
NON SUSPENDED
AXLE SYSTEM



E0940



| Pos. | parts-n° | order qty | description |
|------|----------|-----------|--|
| 1 | 210863 | 1 | BUSHING DU FLNG. D40/44 L=26 |
| 2 | 430890 | 1 | BOLT HEX 8.8 DEL M20X50 |
| 3 | 430970 | 1 | BOLT HEX M20X120 DIN931- DEL |
| 4 | 460806 | 1 | NUT HEX M20X2.50 LOCK DIN985A2 SS |
| 5 | 461253 | 1 | NUT HEX M14 NV=22 A4 RST |
| 6 | 461316 | 1 | NUT HEX LOCK M30X3.5 DIN 985 |
| 7 | 471131 | 1 | WASHER, M30, Ø56/31.0X 4.0, SS |
| 8 | 10615703 | 1 | TIRE 320 90R46' RAD.TL 357774 |
| 8 | 28061803 | 1 | TIRE, 380/90 R46 168LI R1 |
| 9 | 28021703 | 1 | RIM 46"Ø-10"W 10B-11.25BC-5.19 |
| 9 | 28061403 | 1 | RIM 46X13,11.25BC,8.7P,-5.19OS |
| 10 | 28050003 | 1 | HUB F 3.5" 873 15000# PACKAGE |
| 11 | 28076200 | 1 | BUMPER PUR Ø140X166-M14 BLACK |
| 12 | 61044300 | 1 | FIXED AXLE NAV NO SUSPENSION |
| 13 | 61046700 | 1 | PIN SWING ARM NAV SUSP |
| 14 | 63034803 | 1 | AXLE NAVIGATOR 60" 2010 AXLE ONLY |
| 14 | 70079703 | 1 | AXLE FIXED 60" NAVIGATOR 2010 COMPLETE W/HUBS & SPEED SENS.MT. |
| 15 | 63034903 | 1 | AXLE NAVIGATOR 120" 2010 AXLE ONLY |
| 15 | 70079803 | 1 | AXLE FIXED 120" NAVIGATOR 2010 COMPLETE W/HUBS & SPEED SENS.MT. |
| 16 | 63059100 | 1 | SUSPENSION SWINGARM, NAVIGATOR |
| 17 | 70024003 | 1 | WHEEL/TIRE 5 3/160S 320/46 LH |
| 17 | 70024103 | 1 | WHEEL/TIRE 5 3/160S 320/46 RH |
| 17 | 70092003 | 1 | WHEEL/TIRE 5 3/160S 380/46 LH |
| 17 | 70092103 | 1 | WHEEL/TIRE 5 3/160S 380/46 RH |
| 18 | 70074703 | 1 | AXLE ADJUSTABLE 60-120 NV DBL |



E0950

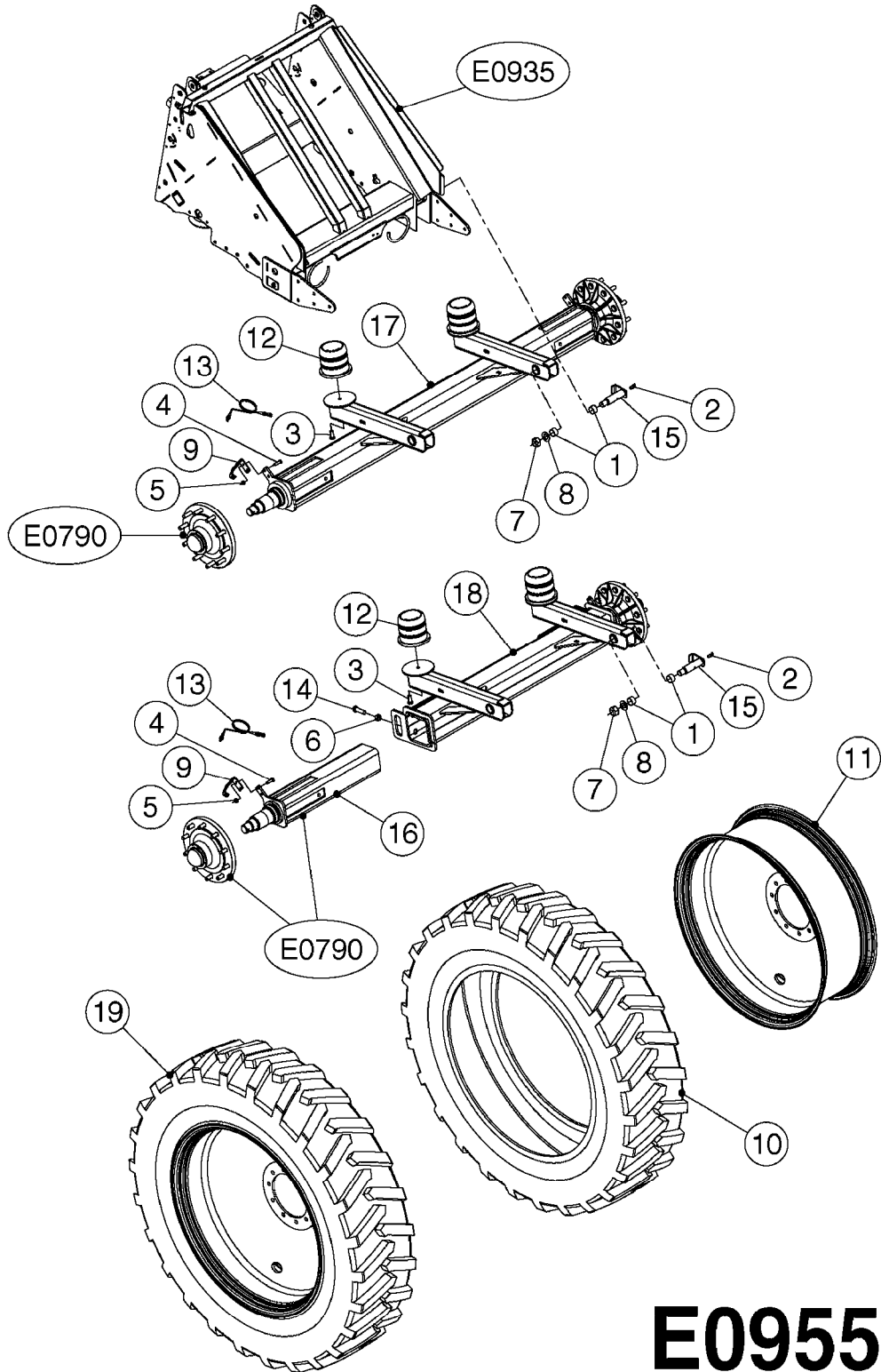


NAV. ADJUSTABLE AXLE 60"-120"
E0950-HIN, 01:01:16

Page 1

Date 07.02.2020 10:04

| Pos. | parts-n° | order qty | description |
|------|----------|-----------|-----------------------------------|
| 1 | 430920 | 1 | BOLT HEX M20x80MM |
| 2 | 460806 | 1 | NUT HEX M20X2.50 LOCK DIN985A2 SS |
| 3 | 461228 | 1 | NUT HEX M20 |
| 4 | 16020203 | 1 | WHEEL SENSOR MAGNET MNT 10BLT |
| 5 | 28050003 | 1 | HUB F 3.5" 873 15000# PACKAGE |
| 5 | 63030203 | 1 | AXLE ADJ 60-120 INSERT NAV DBL |
| 6 | 61003603 | 1 | SPEED SNS MNT CLAMP 3.5" SP |
| 7 | 63030303 | 1 | AXLE ADJ. 60-120 NAVIGATOR DBL |
| 8 | 70074703 | 1 | AXLE ADJUSTABLE 60-120 NV DBL |



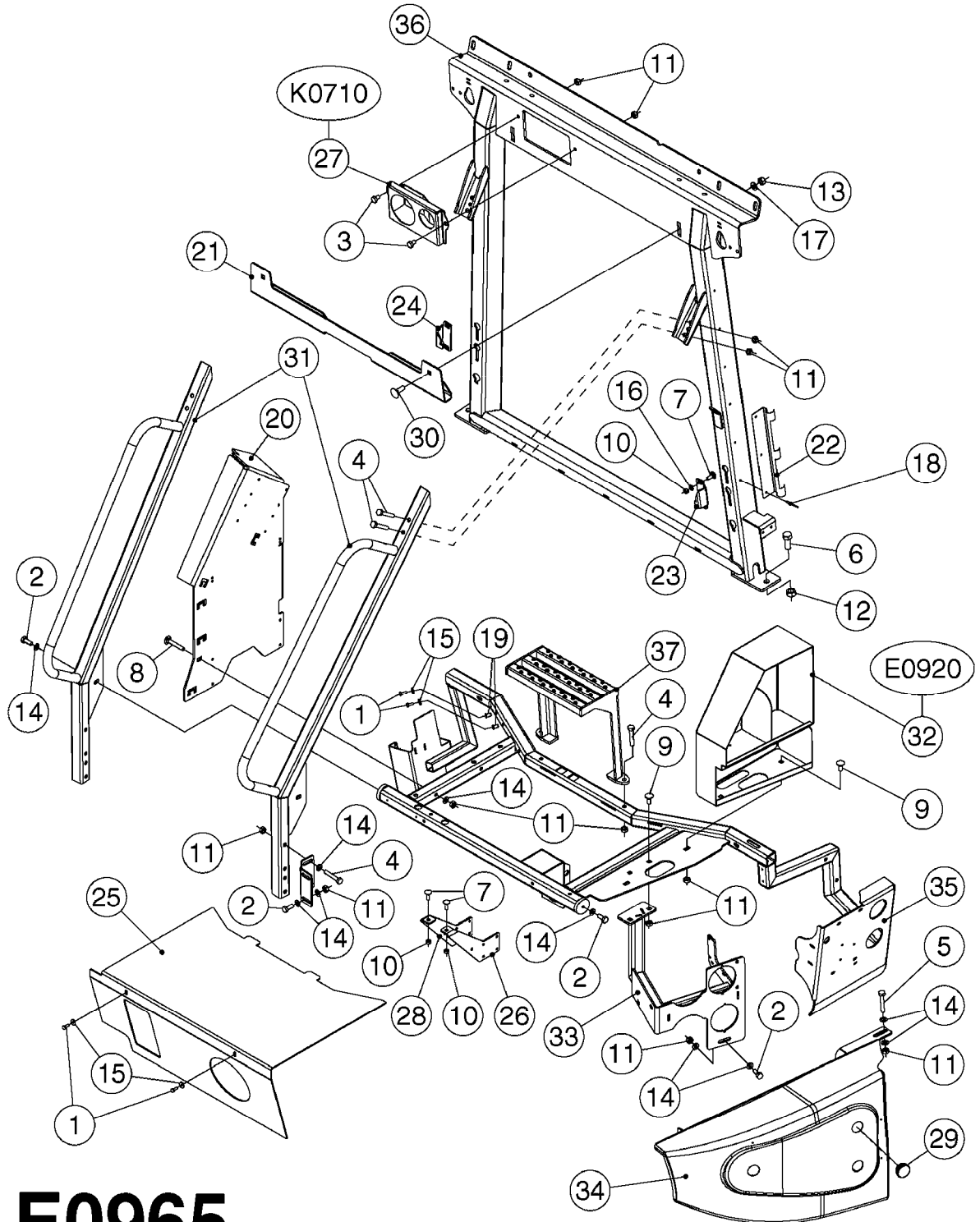
E0955



NAVIGATOR 6200 AXLES
E0955-HIN, 07:07:17

Page 1
Date 07.02.2020 10:04

| Pos. | parts-n° | order qty | description |
|------|----------|-----------|---|
| 1 | 210863 | 1 | BUSHING DU FLNG. D40/44 L=26 |
| 2 | 283772 | 1 | GREASE NIPPLE M6X1 90° |
| 3 | 430581 | 1 | BOLT HEX 8.8 DEL M16X40 FT |
| 4 | 430721 | 1 | BOLT HEX 8.8 DEL M12X40 FT |
| 5 | 460703 | 1 | NUT HEX M12X1.75 LOCK DIN985A2 SS |
| 6 | 461228 | 1 | NUT HEX M20 |
| 7 | 461316 | 1 | NUT HEX LOCK M30X3.5 DIN 985 |
| 8 | 471131 | 1 | WASHER, M30, Ø56/31.0X 4.0, SS |
| 9 | 16177403 | 1 | SPEED SENSOR MOUNT (2013), PAINTED |
| 10 | 28073503 | 1 | TIRE, 380/90R46 168D ULTRASPRAY TL |
| 10 | 28090603 | 1 | TIRE, 320/90R50 169D ULTRASPRAY |
| 10 | 28090803 | 1 | TIRE, 480/80R46 168A8/B SUPER TRAC TL |
| 11 | 28090203 | 1 | WHEEL 46XW13A/13.19 BC/11.07 P |
| 11 | 28090303 | 1 | WHEEL 46XW16A/13.19 BC/11.07 P |
| 11 | 28090403 | 1 | WHEEL 50XDW10A/13.19 BC/11.07 P |
| 12 | 28103800 | 1 | BUMPER PUR Ø160X161-M16 BLACK |
| 13 | 28129300 | 1 | INDUCTIV SENSOR UNSHIELDED M12 L1M SD=8MM |
| 14 | 43000803 | 1 | BOLT HEX M20 X 70MM DEL - FT |
| 15 | 61046700 | 1 | PIN SWING ARM NAV SUSP |
| 16 | 63033703 | 1 | AXLE INSERT NCM 44/66/9000 |
| 17 | 63041603 | 1 | AXLE, 120 FIXED, NAV 6000 |
| 18 | 63041803 | 1 | AXLE, 60-90 ADJUST, NAV 6000 |
| 19 | 70118403 | 1 | WHEEL/TIRE 380/90R46 LH |
| 19 | 70118503 | 1 | WHEEL/TIRE 380/90R46 RH |
| 19 | 70118603 | 1 | WHEEL/TIRE 480/80R46 LH |
| 19 | 70118703 | 1 | WHEEL/TIRE 480/80R46 RH |
| 19 | 70118903 | 1 | WHEEL/TIRE 320/90R50 LH |
| 19 | 70119003 | 1 | WHEEL/TIRE 320/90R50 RH |



E0965

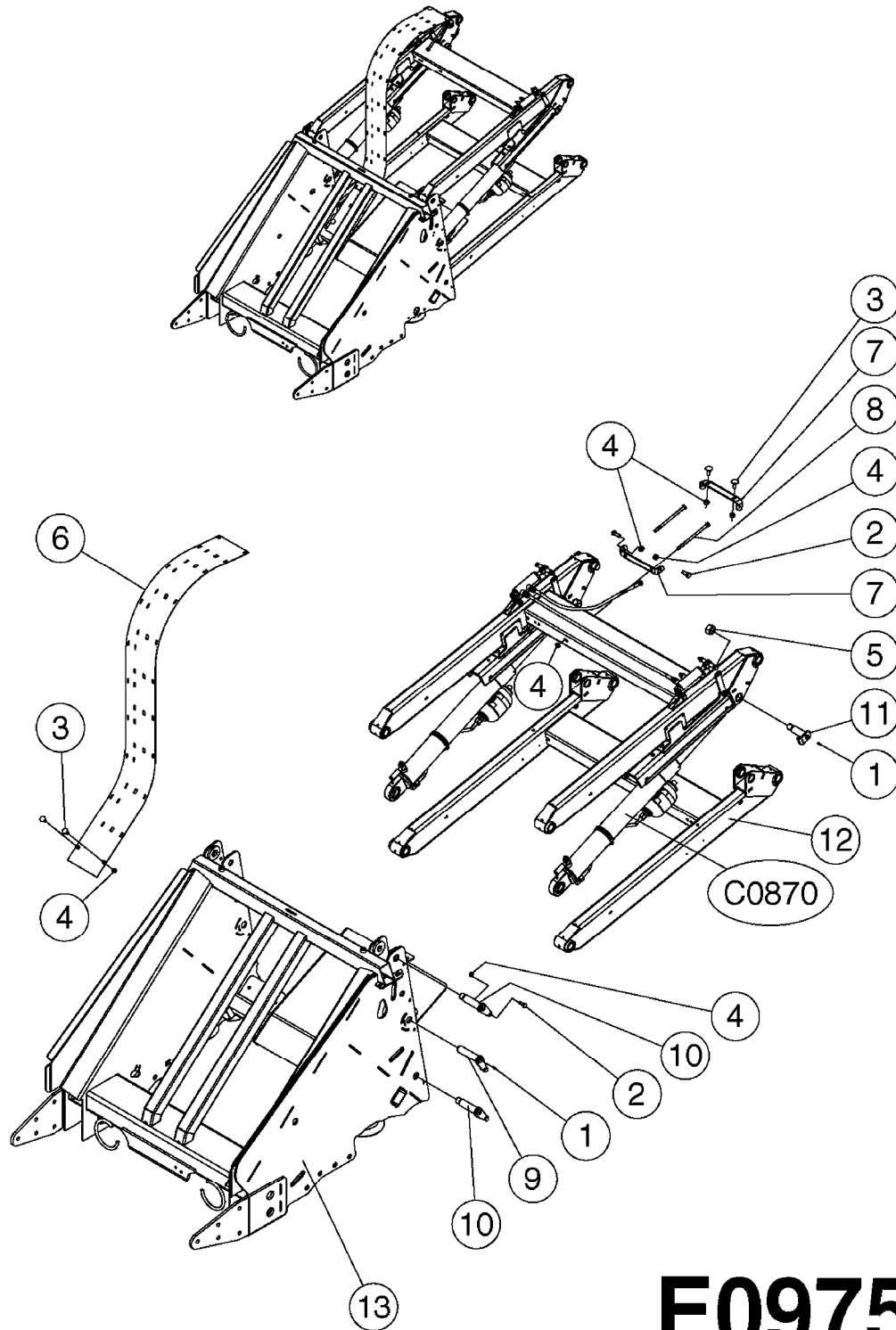


NAVIGATOR DF4 PLATFORM
E0965-HIN, 21:07:17

Page 1

Date 07.02.2020 10:04

| Pos. | parts-n° | order qty | description |
|------|----------|-----------|--|
| 1 | 410185 | 1 | BOLT HEX 8.8 DEL M6X16 |
| 2 | 420604 | 1 | BOLT HEX 8.8 DEL M10X25 FT DIN933 |
| 3 | 420862 | 1 | BOLT HEX 8.8 DEL M10X16 FT |
| 4 | 420906 | 1 | BOLT HEX 8.8 DEL M10X60 |
| 5 | 421083 | 1 | BOLT HEX 8.8 DEL M10X65 |
| 6 | 430581 | 1 | BOLT HEX 8.8 DEL M16X40 FT |
| 7 | 440695 | 1 | BOLT CARRIAGE M8X25 |
| 8 | 440718 | 1 | BOLT CRG M10 X 65 DEL |
| 9 | 440737 | 1 | BOLT CARRIAGE M10x25 SS |
| 10 | 460143 | 1 | SELF LOCK NUT M8 SST A2 DIN985 |
| 11 | 460423 | 1 | NUT HEX M10X1.50 LOCK DIN985A2 SS |
| 12 | 460585 | 1 | LOCKING NUT M16 DIN985 A2 SS |
| 13 | 460703 | 1 | NUT HEX M12X1.75 LOCK DIN985A2 SS |
| 14 | 471122 | 1 | WASHER, M10, Ø20/10.5X 2.0, SS |
| 15 | 471124 | 1 | WASHER, M6, Ø18/ 6.4X 1.6, SS |
| 16 | 471126 | 1 | WASHER, M8, Ø16/ 8.4X 1.6, SS |
| 17 | 471127 | 1 | WASHER, M12, Ø24/13X24X2.5 SS |
| 18 | 480804 | 1 | RIVET Ø4.8x14.5 |
| 19 | 480811 | 1 | BLIND FASTENER M6 STAINLESS |
| 20 | 16185703 | 1 | PLATE FOR ELECTRONICS, NAVIGATOR 2014 |
| 21 | 16198400 | 1 | TANK STOP FOR NAV. PAINTED |
| 22 | 16226200 | 1 | BRACKET F.TANK SCALE - PAINTED |
| 23 | 16226400 | 1 | PLATE, LOCK CHEEK NAV LEFT |
| 24 | 16226600 | 1 | PLATE, LOCK CHEEK NAV RIGHT |
| 25 | 16230403 | 1 | DECKPLATE F. NAV DF4, RED |
| 26 | 16362600 | 1 | PLATE FOR DF4 VALVE NAV, R, RED |
| 27 | 16421800 | 1 | PLATE F. PRESS GAUGE FRONT, NAV 5/6000 |
| 28 | 16435200 | 1 | PLATE FOR DF4 VALVE NAV, L, RED |
| 29 | 28087700 | 1 | PLUG, ROUND, Ø42/Ø36, BLACK |
| 30 | 45001300 | 1 | CARRIAGE BOLT M12X35 DIN603 A2 |
| 31 | 63058700 | 1 | PLATFORM HANDRAIL NAV.PAINTED |
| 32 | 63062300 | 1 | SAFETYLOCKER NAVIGATOR PAINTED |
| 33 | 63085200 | 1 | BRACKET MANIFOLD SUCTION NAV09 |
| 34 | 63085600 | 1 | LEFT SHIELD NAVIGATOR MAY 2009 |
| 35 | 63163300 | 1 | FRAME F.FLUID COMP. '13 |
| 36 | 63165300 | 1 | TRANSPORT FRAME NAV 5/6000 |
| 37 | 63168100 | 1 | FOOTSTEP F.NAV PLATFORM NAV 6200 ONLY |



E0975

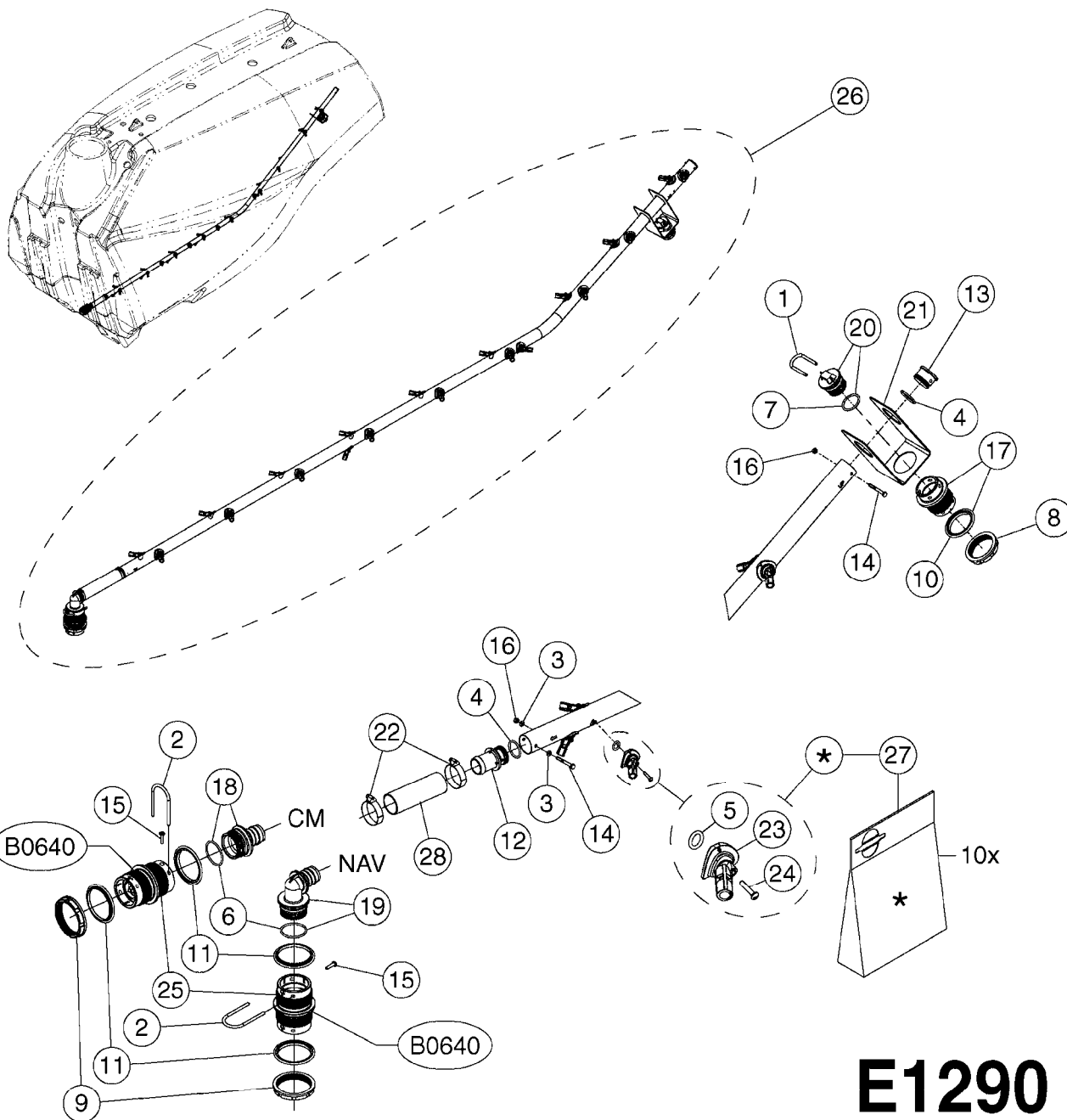


NAVIGATOR HEAVY PUSH PARALIFT
E0975-HIN, 26:07:17

Page 1

Date 07.02.2020 10:04

| Pos. | parts-n° | order qty | description |
|------|----------|-----------|-----------------------------------|
| 1 | 283699 | 1 | GREASE NIPPLE M6X1 |
| 1 | 28112100 | 1 | GREASE FITTING Ø6 90GR M6 |
| 2 | 420604 | 1 | BOLT HEX 8.8 DEL M10X25 FT DIN933 |
| 3 | 440737 | 1 | BOLT CARRIAGE M10x25 SS |
| 4 | 460423 | 1 | NUT HEX M10X1.50 LOCK DIN985A2 SS |
| 5 | 460747 | 1 | NUT HEX M24 LOCK |
| 6 | 16121400 | 1 | SHEET HOSE HOLDER PARALIFT NCM |
| 7 | 16145100 | 1 | SWIVEL FOR HOSE SUPPORT |
| 8 | 42126400 | 1 | BOLT HEX M10X180 A4-80 |
| 9 | 61030700 | 1 | PIN Ø25 L=117 |
| 10 | 61056500 | 1 | PIN Ø30/Ø25 L=122 |
| 11 | 61061200 | 1 | PIN, Ø30/M24 L=105 |
| 12 | 63096000 | 1 | Paralift Arm CM11 |
| 13 | 63144300 | 1 | REAR CHASSIS F.NAV. '13 |

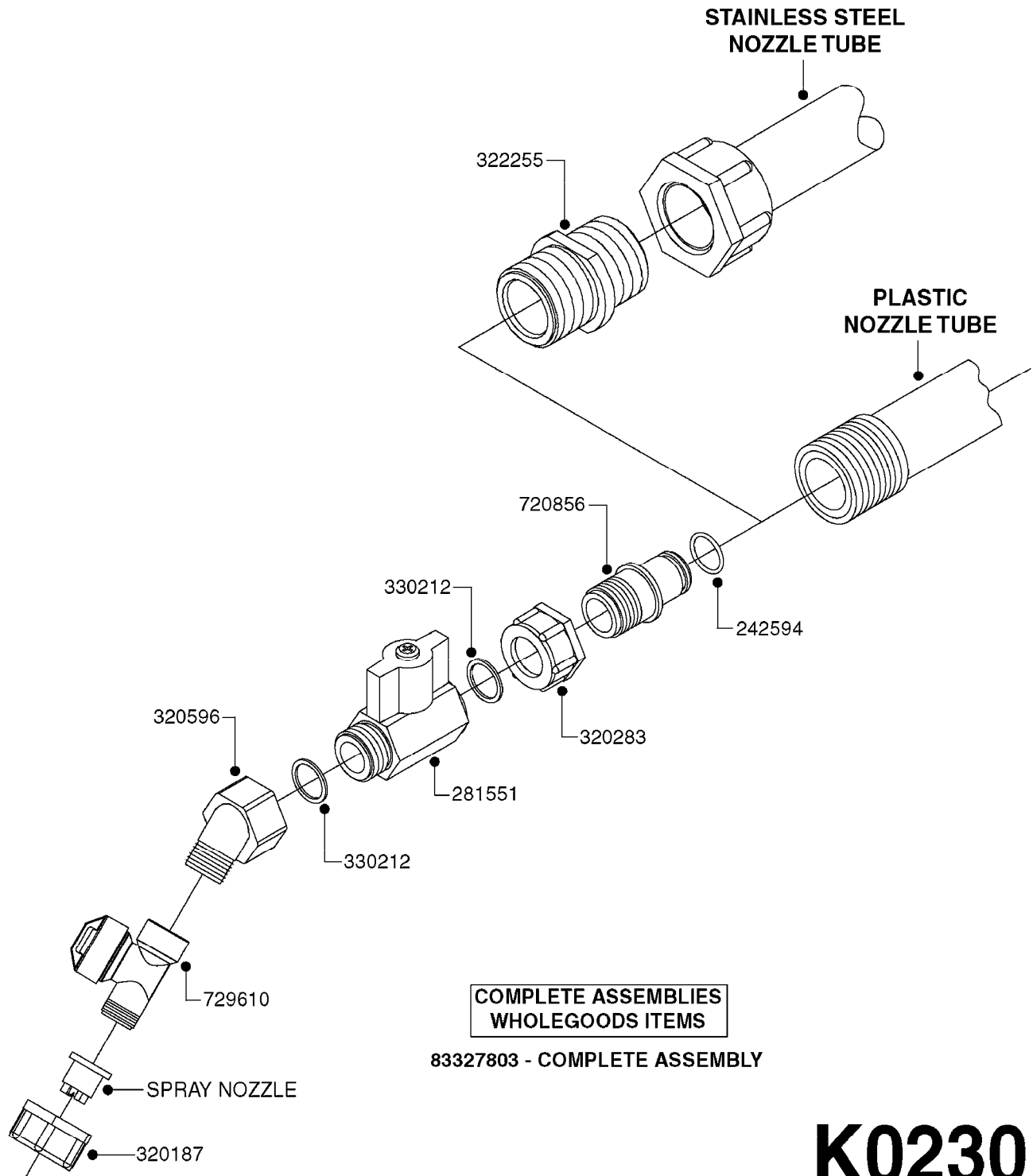




AGITATION TUBE
E1290-HIN, 16:08:17

Page 1
Date 07.02.2020 10:04

| Pos. | parts-n° | order qty | description |
|------|----------|-----------|------------------------------------|
| 1 | 145995 | 1 | FITT.DK S-53 FORK |
| 2 | 145996 | 1 | FITT.DK S-67 FORK |
| 3 | 241323 | 1 | O-RING D5.3X2.4 NITRIL |
| 4 | 241441 | 1 | O-RING D29.3X3 |
| 5 | 242132 | 1 | O-RING 21 X 15 X 3 |
| 6 | 242353 | 1 | O-RING 3 X 44.2 VITON |
| 7 | 242354 | 1 | O-RING D32.2X3.0 VITON |
| 8 | 322107 | 1 | FITT.DK S-53 BULKHEAD NUT |
| 9 | 322108 | 1 | FITT.DK S-67 BULKHEAD NUT |
| 10 | 334260 | 1 | GASKET F. S-53 BULKHEAD |
| 11 | 334261 | 1 | GASKET F. S-67 BULKHEAD |
| 12 | 390902 | 1 | SPARGE TUBE FITT FRONT |
| 13 | 390903 | 1 | CAP SPARGE TUBE |
| 14 | 411077 | 1 | SCREW M5X45 STAINLESS |
| 15 | 440677 | 1 | SCREW F. PLASTIC 5X20 SS |
| 16 | 461217 | 1 | NUT HEX M5 LOCK |
| 17 | 726463 | 1 | FITT.DK S53 BULKHEAD W/GASKET |
| 18 | 726561 | 1 | FITT.DK S-67 STR.1-1/4" O-RING |
| 19 | 726573 | 1 | FITT. S67 5/4" 90° W/O-RING |
| 20 | 726578 | 1 | FITT.DK S53 PLUG WITH O-RING |
| 21 | 16008300 | 1 | BRACKET SPARGE TUBE |
| 22 | 28030103 | 1 | CLAMP HOSE GEAR P5/4-S1.5"6724 |
| 23 | 37218600 | 1 | AGITATION NOZZLE BLUE 1.5MM COM11 |
| 23 | 37218700 | 1 | AGITATION NOZZLE Ø2.0 RØD 11 |
| 23 | 37218800 | 1 | AGITATION NOZZLE BROWN 2.5MM COM11 |
| 23 | 37218900 | 1 | AGITATION NOZZLE Ø3.0 GREY 11 |
| 24 | 45006500 | 1 | BOLT, M4X20 BN5687 TORX, SS |
| 25 | 72819200 | 1 | CHECK VALVE S67 2012 THREADED |
| 26 | 72842100 | 1 | SPARGETUBE CM55/7000 COMPLETE |
| 26 | 72844400 | 1 | SPARGETUBE CM4500 COMPLETE |
| 26 | 72880900 | 1 | SPARGETUBE NAV4500 COMPLETE |
| 26 | 72890800 | 1 | SPARGETUBE NAV6200 COMPLETE |
| 27 | 74193100 | 1 | 10 PCS AGITATION NOZZLES BROWN |
| 28 | 92734403 | 1 | HOSE R X5/4" X200PSI WP X0012" |



K0230

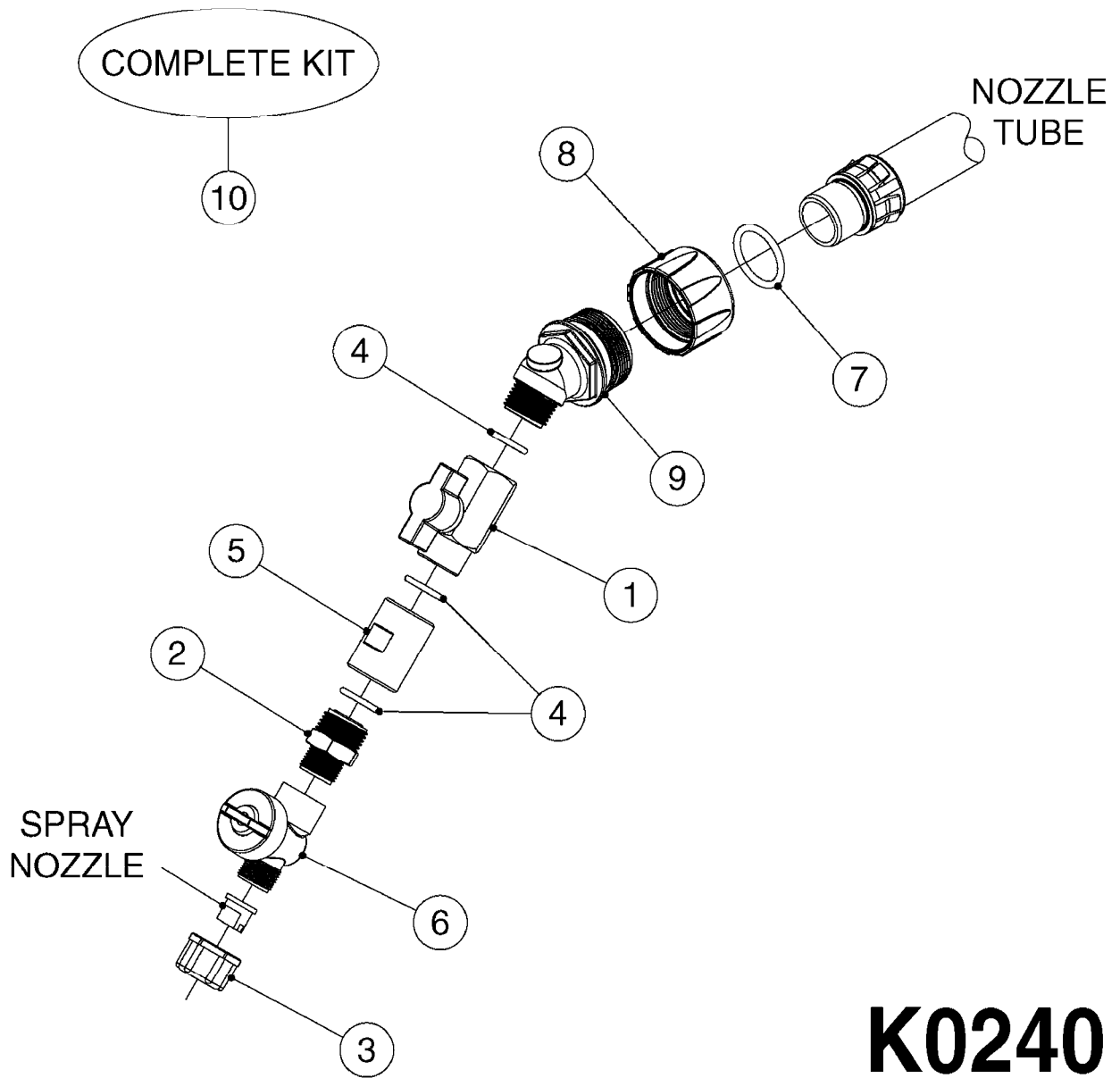


END NOZZLE KIT
K0230-HIN, 01:01:16

Page 1

Date 07.02.2020 10:04

| parts-n° | order qty | description |
|----------|-----------|--------------------------------|
| 242594 | 1 | O-RING D14 X 1.78 SCH.70-EPDM |
| 281551 | 1 | BALL VALVE 1/2" |
| 320187 | 1 | FITT.DK CAP 3/8" BSP BLACK |
| 320283 | 1 | FITT.DK NUT 3/4"BSP |
| 320596 | 1 | FITT.DK ELB 3/8'-1/2'BSP 45DEG |
| 322255 | 1 | FITT.DK NIPPLE 3/4"X 3/4" |
| 330212 | 1 | O-RING D19/D14X2.4 F.1/2"NUT |
| 720856 | 1 | FITT.DK 1/2'BSP ASSY.F.3/4'NUT |
| 729610 | 1 | NOZZLE ASSY. NON DRIP 3/8 THRD |
| 83327803 | 1 | END NOZZLE KIT "04" |



K0240



END NOZZLE KIT - T25
K0240-HIN, 01:01:16

Page 1

Date 07.02.2020 10:04

| Pos. | parts-n° | order qty | description |
|------|----------|-----------|--------------------------------|
| 1 | 281551 | 1 | BALL VALVE 1/2" |
| 2 | 320176 | 1 | FITT.DK HN 3/8"X1/2" BSP |
| 3 | 320187 | 1 | FITT.DK CAP 3/8" BSP BLACK |
| 4 | 330212 | 1 | O-RING D19/D14X2.4 F.1/2"NUT |
| 5 | 390400 | 1 | FITT.DK BULKHEAD 1/2'X1/2' |
| 6 | 729610 | 1 | NOZZLE ASSY. NON DRIP 3/8 THRD |
| 7 | 24263000 | 1 | O-RING Ø24.4 X 3.1 NITRIL SH70 |
| 8 | 32239700 | 1 | FITT.DK NUT T25 |
| 9 | 32240000 | 1 | FITT.DK 1/2" RG 45° T25 |
| 10 | 83368303 | 1 | END NOZZLE KIT, MANUAL, T25 |



COMPLETE KIT NO
LONGER AVAILABLE.
FOR '09 KIT
SEE PAGE

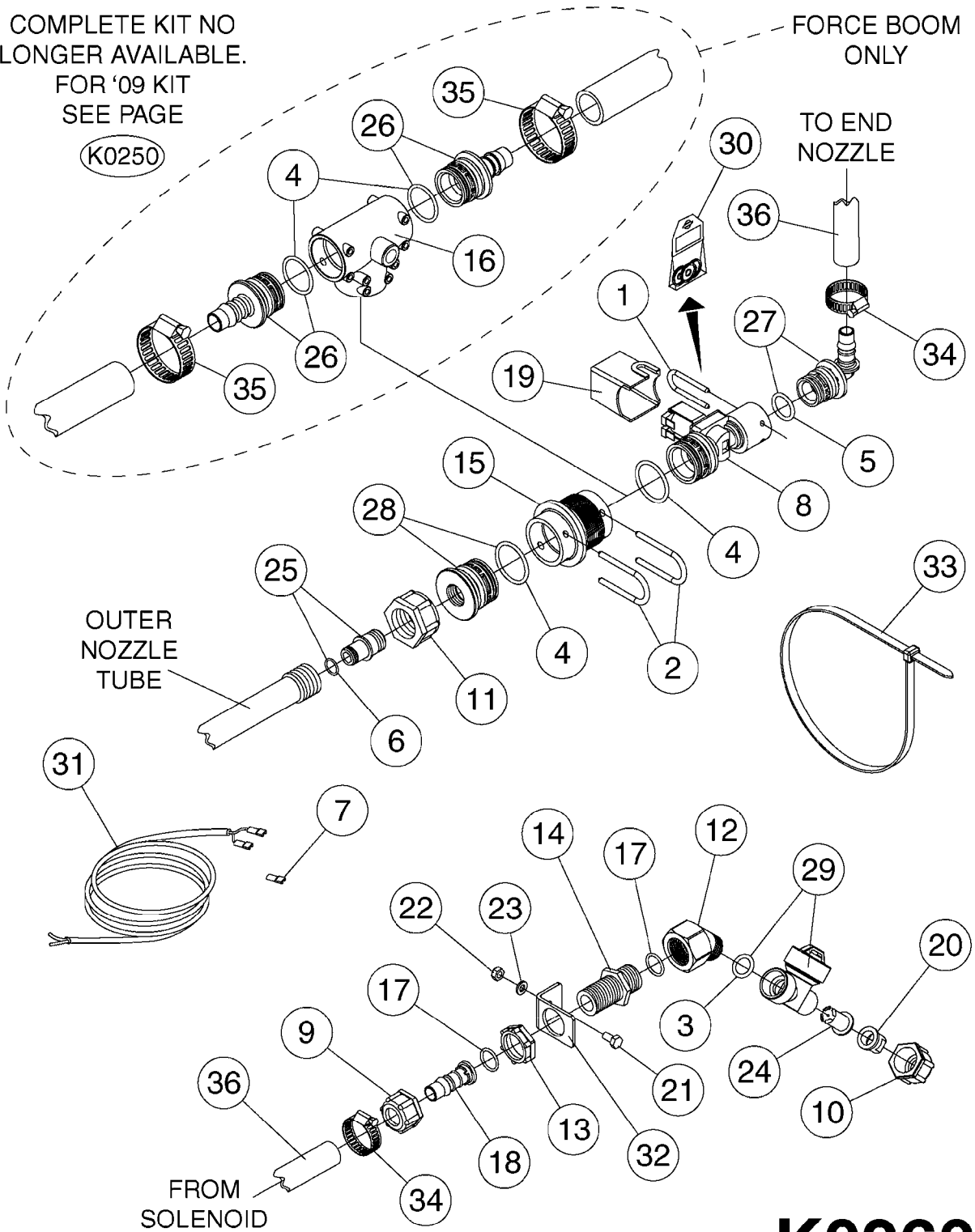
(K0250)

FORCE BOOM
ONLY

TO END
NOZZLE

OUTER
NOZZLE
TUBE

FROM
SOLENOID
ASSEMBLY



K0260

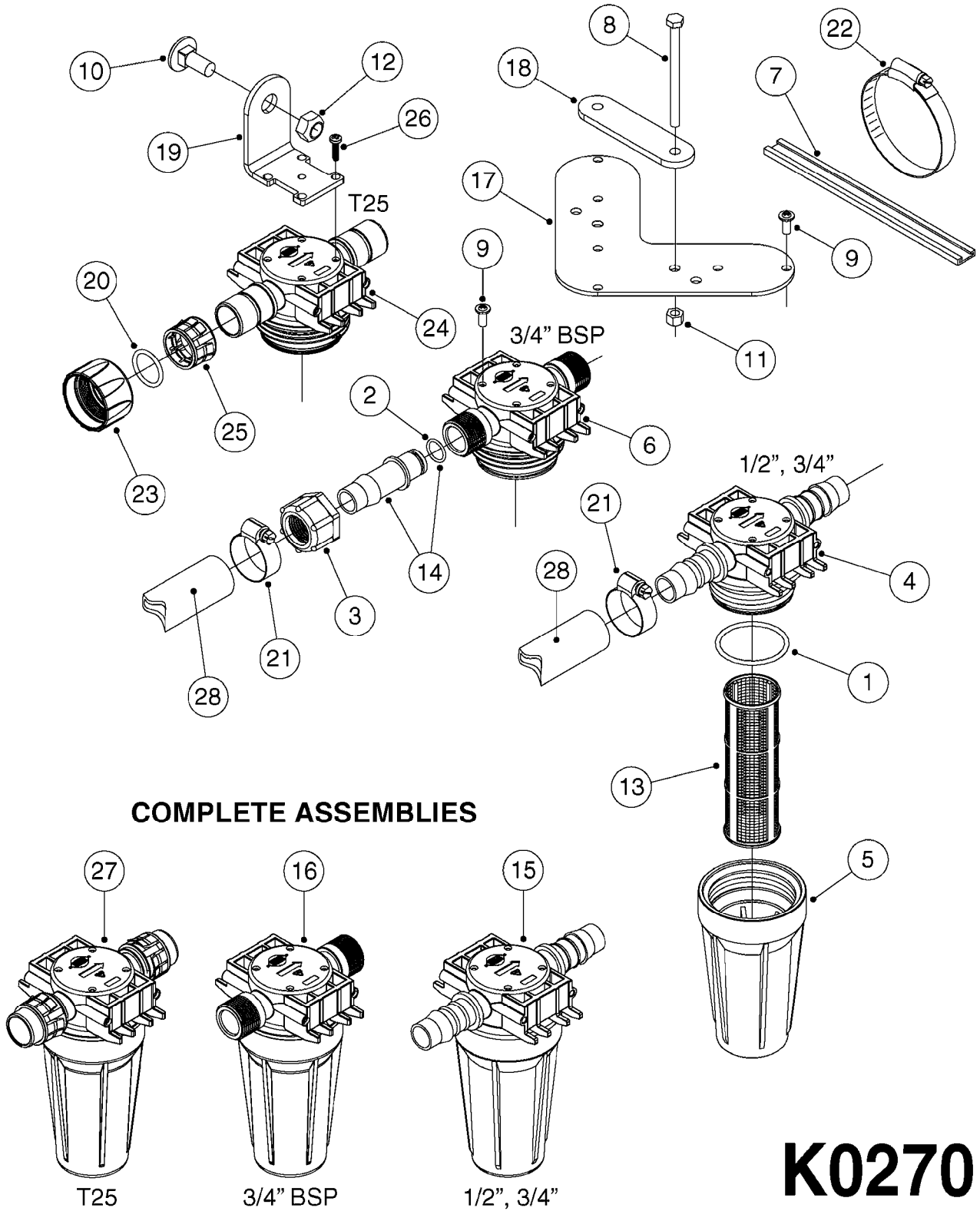


ELECTRIC END NOZZLE KIT '12
K0260-HIN, 01:01:16

Page 1

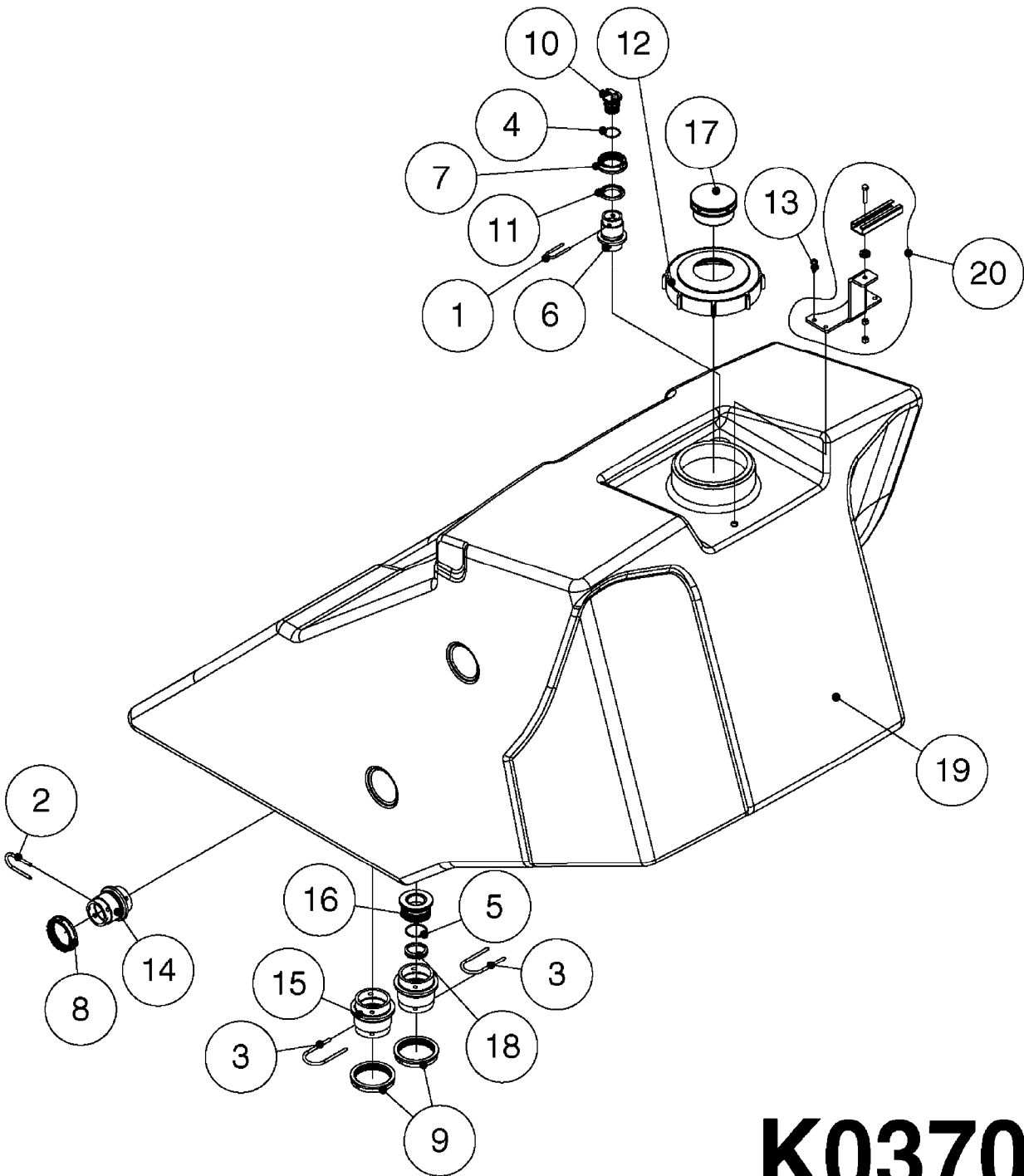
Date 07.02.2020 10:04

| Pos. | parts-n° | order qty | description |
|------|----------|-----------|---|
| 1 | 145994 | 1 | FITT.DK S-40 FORK |
| 2 | 145995 | 1 | FITT.DK S-53 FORK |
| 3 | 240177 | 1 | O-RING D16.1/11.3 X 2.4 |
| 4 | 242354 | 1 | O-RING D32.2X3.0 VITON |
| 5 | 242355 | 1 | O-RING D19.2X3.0 VITON F.S-40 |
| 6 | 242594 | 1 | O-RING D14 X 1.78 SCH.70-EPDM |
| 7 | 261539 | 1 | SPADE F.ELEC CONNec BLUE INSUL |
| 8 | 262104 | 1 | VALVE, SOLENOID, S53/S40 |
| 9 | 320084 | 1 | FITT.DK NUT 1/2" BSP |
| 10 | 320187 | 1 | FITT.DK CAP 3/8" BSP BLACK |
| 11 | 320283 | 1 | FITT.DK NUT 3/4"BSP |
| 12 | 320596 | 1 | FITT.DK ELB 3/8'-1/2'BSP 45DEG |
| 13 | 321307 | 1 | FITT.DK NUT 1/2" BSP JAMB |
| 14 | 321742 | 1 | FITT.DK BULKHEAD 1/2' BSP |
| 15 | 322103 | 1 | FITT.DK S-53 BULKHEAD |
| 16 | 322352 | 1 | FITT.DK S-53 TEE |
| 17 | 330212 | 1 | O-RING D19/D14X2.4 F.1/2"NUT |
| 18 | 330687 | 1 | FITT.DK HB 1/2" F. 1/2" NUT |
| 19 | 334965 | 1 | COVER FOR S53 SOLENOID VALVE |
| 20 | 370366 | 1 | OFF-CENTER FLAT SPRAY NOZZLE, 1850 - G150 |
| 21 | 410185 | 1 | BOLT HEX 8.8 DEL M6X16 |
| 22 | 460261 | 1 | NUT HEX M6X1.00 LOCK DIN985 A2 SS |
| 23 | 471125 | 1 | WASHER M6U 6.4X14X1.2,A2 SS |
| 24 | 614366 | 1 | FILTER 50 MESH F.NOZZLE BLUE |
| 24 | 614367 | 1 | FILTER 80 MESH F.NOZZLE RED |
| 24 | 614368 | 1 | FILTER 100 MESH F.NOZZLE YEL. |
| 25 | 720856 | 1 | FITT.DK 1/2'BSP ASSY.F.3/4'NUT |
| 26 | 726558 | 1 | FITT.DK S53 STR. 3/4" W.ORING |
| 27 | 726567 | 1 | FITT.DK S-40 ELB.1/2" W.O-RING |
| 28 | 726694 | 1 | PLUG,S53,1/2"FBSP THD W.ORING |
| 29 | 729610 | 1 | NOZZLE ASSY. NON DRIP 3/8 THRD |
| 30 | 750722 | 1 | REPAIR KIT FOR 3S SC CONTROL |
| 31 | 983087 | 1 | ELEC. CABLE 2 WIRE X 0.75MM |
| 32 | 16180100 | 1 | PLATE, END ROW NOZZLE |
| 33 | 28025203 | 1 | TIE STRAP L=23" x W=1/2" |
| 34 | 28029803 | 1 | CLAMP HOSE GEAR P1/2" 6708 |
| 35 | 28029903 | 1 | CLAMP HOSE GEAR P3/4"-S1" 6712 |
| 36 | 92702103 | 1 | HOSE R X1/2" X300PSI WP X0012" |





| Pos. | parts-n° | order qty | description |
|------|----------|-----------|-----------------------------------|
| 1 | 240925 | 1 | O-RING D49.5X3 NITRIL |
| 2 | 242594 | 1 | O-RING D14 X 1.78 SCH.70-EPDM |
| 3 | 320283 | 1 | FITT.DK NUT 3/4"BSP |
| 4 | 322241 | 1 | FILTER HOUSING W.3/4' BARBS |
| 4 | 322249 | 1 | FILTER HOUSING W.1/2' BARBS |
| 5 | 322242 | 1 | FILTER BOWL / IN-LINE |
| 6 | 322250 | 1 | FILTER HOUSING W.3/4"BSP THRD |
| 7 | 341291 | 1 | RUBBER HOSE CLAMP COVER 130MM |
| 7 | 341292 | 1 | RUBBER HOSE CLAMP COVER 180MM |
| 8 | 410605 | 1 | BOLT HEX 8.8 DEL M6X80 |
| 9 | 440673 | 1 | SCREW F.PLASTIC 5X12 SS |
| 10 | 440737 | 1 | BOLT CARRIAGE M10x25 SS |
| 11 | 460261 | 1 | NUT HEX M6X1.00 LOCK DIN985 A2 SS |
| 12 | 460423 | 1 | NUT HEX M10X1.50 LOCK DIN985A2 SS |
| 13 | 615443 | 1 | FILTER ELEM.50 MESH BLUE |
| 13 | 615444 | 1 | FILTER ELEM.80 MESH RED |
| 13 | 615445 | 1 | FILTER ELEM.100 MESH YELLOW |
| 14 | 716236 | 1 | FITT.DK HB 1/2" ASSY. F. 3/4" |
| 14 | 724621 | 1 | FITT.DK HB 3/4"ASSY F.3/4" NUT |
| 15 | 845205 | 1 | FILTER IN-LINE 1/2' 50 MESH |
| 15 | 845208 | 1 | FILTER IN-LINE 3/4' 50 MESH |
| 15 | 845209 | 1 | FILTER IN-LINE 3/4' 80 MESH |
| 15 | 845210 | 1 | FILTER IN-LINE 3/4" 100 MESH |
| 16 | 845218 | 1 | FILTER IN-LINE 3/4'50 MESH OML |
| 16 | 845219 | 1 | FILTER IN-LINE 3/4'80 MESH OML |
| 17 | 16022203 | 1 | PLATE 3.0 X 55 X 196 |
| 18 | 16022403 | 1 | BRACKET 60MM TUBE |
| 19 | 16321500 | 1 | LINE FILTER BRACKET, TDZ/DDZ |
| 20 | 24263000 | 1 | O-RING Ø24.4 X 3.1 NITRIL SH70 |
| 21 | 28029903 | 1 | CLAMP HOSE GEAR P3/4"-S1" 6712 |
| 22 | 28047103 | 1 | CLAMP HOSE GEAR 50 X 50 6740 |
| 22 | 28047203 | 1 | CLAMP HOSE GEAR 60 X 80 6756 |
| 23 | 32239700 | 1 | FITT.DK NUT T25 |
| 24 | 32239800 | 1 | FITT.DK IN-LINE FILTER TOP T25 |
| 25 | 33515500 | 1 | FITT.DK NUT LOCK RING T25 |
| 26 | 44076200 | 1 | SCREW WN5451 5X16 SS TORX |
| 27 | 72700600 | 1 | FILTER IN-LINE 80 MESH, T25 |
| 28 | 92702103 | 1 | HOSE R X1/2" X300PSI WP X0012" |
| 28 | 92703203 | 1 | HOSE R X3/4" X300PSI WP X0012" |



K0370

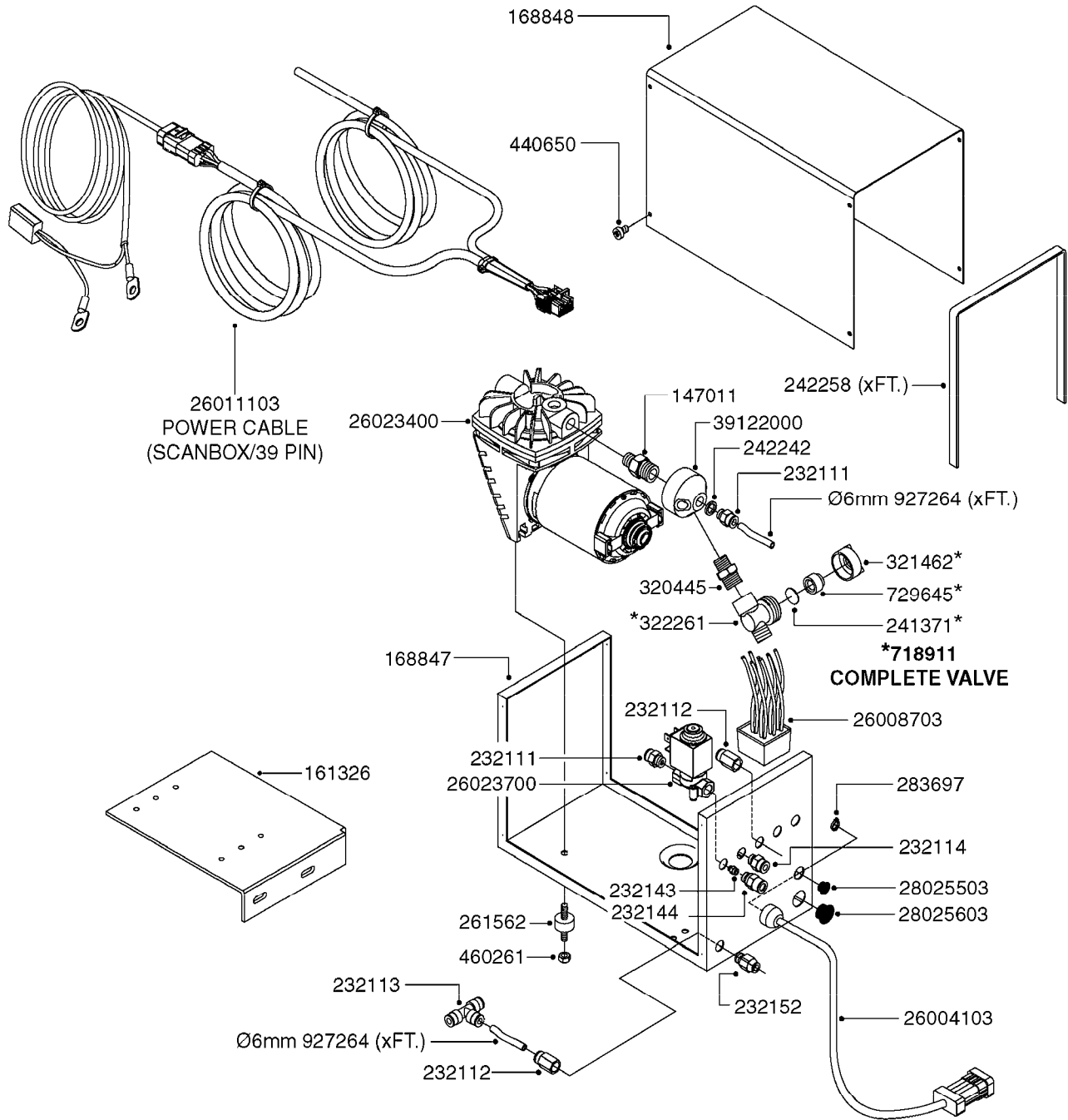


FLUSH SYSTEM - NCM/NAVIGATOR
K0370-HIN, 01:01:16

Page 1

Date 07.02.2020 10:04

| Pos. | parts-n° | order qty | description |
|------|----------|-----------|-------------------------------------|
| 1 | 145994 | 1 | FITT.DK S-40 FORK |
| 2 | 145995 | 1 | FITT.DK S-53 FORK |
| 3 | 145996 | 1 | FITT.DK S-67 FORK |
| 4 | 242355 | 1 | O-RING D19.2X3.0 VITON F.S-40 |
| 5 | 242504 | 1 | O-RING D35x2 NITRIL |
| 6 | 322102 | 1 | FITT.DK S-40 BULKHEAD |
| 7 | 322106 | 1 | FITT.DK S-40 BULKHEAD NUT |
| 8 | 322107 | 1 | FITT.DK S-53 BULKHEAD NUT |
| 9 | 322108 | 1 | FITT.DK S-67 BULKHEAD NUT |
| 10 | 334248 | 1 | FITT.DK S-40 PLUG |
| 11 | 334259 | 1 | GASKET F. S-40 BULKHEAD |
| 12 | 390847 | 1 | LID F. RINSE TANK CM |
| 13 | 440392 | 1 | SCREW 6.3 X 25.0 DIN7981C TORX |
| 14 | 726463 | 1 | FITT.DK S53 BULKHEAD W/GASKET |
| 15 | 726464 | 1 | FITT.DK S-67 BULKHEAD W/GASKET |
| 16 | 726695 | 1 | FITTING S67 - BSP 1" + O-RING |
| 17 | 727038 | 1 | VENT F.TANK (FAST FILL) |
| 18 | 14014400 | 1 | SEAT F.CHECK VALVE D41.8 S67 |
| 19 | 72285500 | 1 | RINSE TANK 120G. W/FITTINGS NCM/NAV |
| 20 | 72348600 | 1 | HOSE MT. BKT NCM FLUSH TANK |



K0400

*Ø8mm 927306 (xFT.)
*Ø10mm 927330 (xFT.)

70062503 - COMPLETE ASSEMBLY



FOAM MARKER COMPRESSOR 2007
K0400-HIN, 01:01:16

Page 1
Date 07.02.2020 10:04

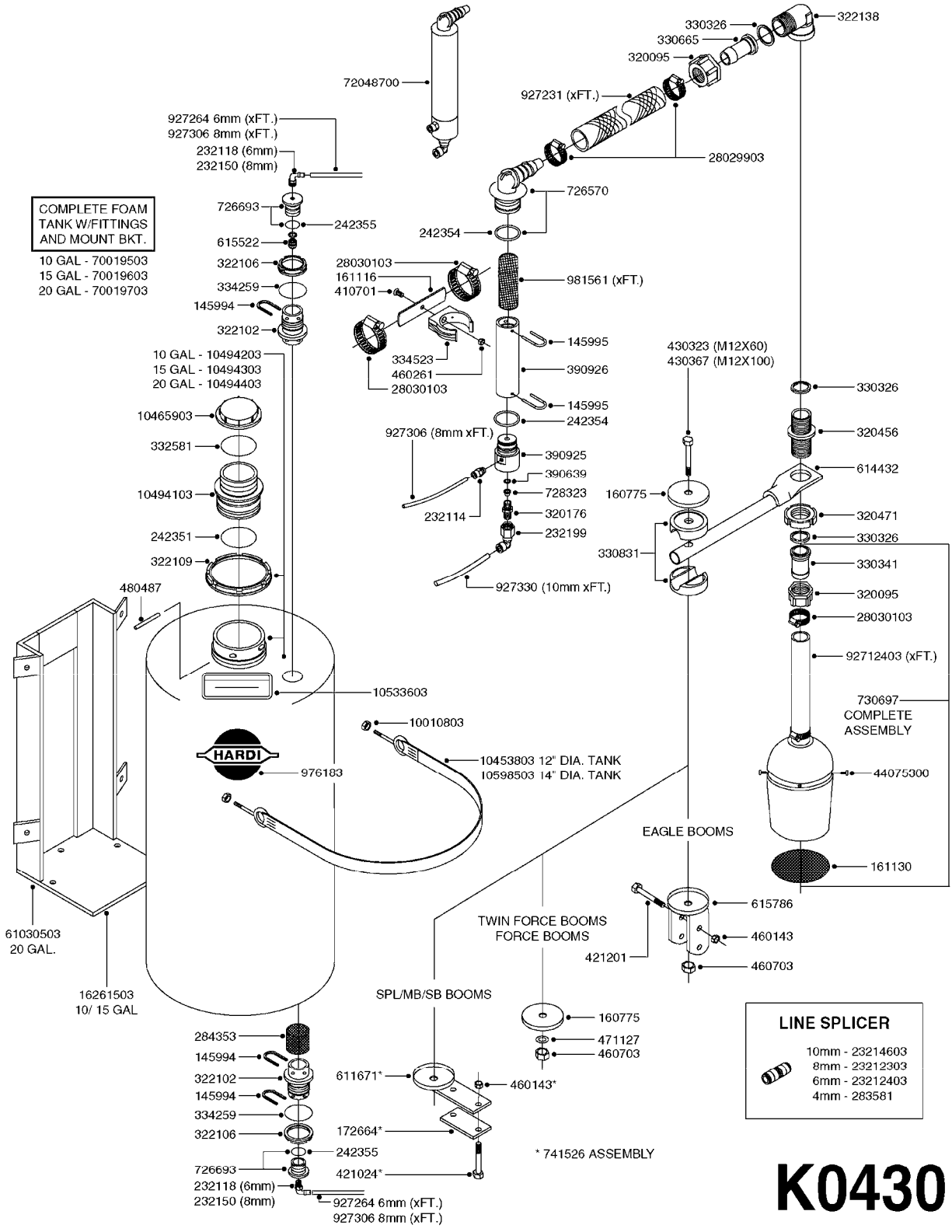
| parts-n° | order qty | description |
|----------|-----------|-----------------------------------|
| 147011 | 1 | HEX NIPPLE 3/8'X1/4'BSP BRASS |
| 161326 | 1 | MOUNT BKT. F. FOAM COMP.BOX 98 |
| 168847 | 1 | ENCLOSURE LOWER F.MARKER |
| 168848 | 1 | COVER F. FOAM MARKER |
| 232111 | 1 | QUICK COUPLER 6MM X 1/8 EXT. |
| 232112 | 1 | QUICK COUPLER 6MM 1/8 INT. |
| 232113 | 1 | QUICK COUPLER 6MM T-PIECE |
| 232114 | 1 | COUPLER 1/8" THREADX8MM HOSE |
| 232143 | 1 | REDUCER 1/4'INT-1/8'EXT |
| 232144 | 1 | QUICK COUPLER 10MM X 1/4 EXT |
| 232152 | 1 | QUICK COUPLER 8MMX1/8 EXT.LONG |
| 241371 | 1 | DIAPHRAGM F.NO-DRIP,VULC |
| 242242 | 1 | O-RING F.AIR HOSE FITTING |
| 242258 | 1 | TRIM 3X10 SELF ADHESIVE 0012" |
| 261562 | 1 | RUBBER DAMPER 2XM6X25 |
| 283697 | 1 | TIESTRAP 200MM |
| 320445 | 1 | FITT.DK HN 1/4"X3/8" BSP |
| 321462 | 1 | CAP F.NO-DRIP ASSY. |
| 322261 | 1 | HOUSING F.SAFETY VALVE 3/8" |
| 440650 | 1 | SCREW 3.5x13 STAINLESS |
| 460261 | 1 | NUT HEX M6X1.00 LOCK DIN985 A2 SS |
| 718911 | 1 | VALVE (SAFETY) F.MARKER |
| 729645 | 1 | NON-DRIP SPRING ASSY.GREEN 10 |
| 927264 | 1 | HOSE R X PE D6/D4 X 0012" |
| 927306 | 1 | HOSE R X PE D8/D6 X 0012"BLACK |
| 927330 | 1 | HOSE R X PE D10/D8 X 012"BLACK |
| 26004103 | 1 | FOAM MARKER CNTRL MOD CABL STD |
| 26008703 | 1 | FOAM MARKER CONTROL SCII |
| 26011103 | 1 | FOAMER POWER/CONTROL CABLE 39P |
| 26023400 | 1 | COMPRESSOR F.FOAM MARKER CM40 |
| 26023700 | 1 | SOLENOID VAL 12V 1/8' FLO '07 |
| 28025503 | 1 | PLUG F.DRILLED HOLE 1/2" |
| 28025603 | 1 | PLUG F.DRILLED HOLE 3/4" |
| 39122000 | 1 | DISTR.HOUSING F.FOAM MARKER'07 |
| 70062503 | 1 | FOAM MARKER COMPRESSOR,STD,39P |



COMPLETE FOAM TANK W/FITTINGS AND MOUNT BKT.

- 10 GAL - 70019503
- 15 GAL - 70019603
- 20 GAL - 70019703

- 10 GAL - 10494203
- 15 GAL - 10494303
- 20 GAL - 10494403



LINE SPICER

- 10mm - 23214603
- 8mm - 23212303
- 6mm - 23212403
- 4mm - 283581

* 741526 ASSEMBLY

K0430



FOAMMARKER TANK/DROPPER 2000
K0430-HIN, 05:12:19

Page 1
Date 07.02.2020 10:04

| parts-n° | order qty | description |
|----------|-----------|-----------------------------------|
| 145994 | 1 | FITT.DK S-40 FORK |
| 145995 | 1 | FITT.DK S-53 FORK |
| 160775 | 1 | WASHER F. FRICTION PLATE |
| 161116 | 1 | FLATBAR PLATE 3 X 25 X 110 |
| 161130 | 1 | FILTER SCREEN F/FOAM DROPPER |
| 172664 | 1 | FLATBAR BACKING PLATE |
| 232114 | 1 | COUPLER 1/8" THREADX8MM HOSE |
| 232118 | 1 | HOSE CONN. 90DEG 1/8'X 6MM PE |
| 232150 | 1 | HOSE CONN. 90DEG. 1/8'X8MM PE |
| 232199 | 1 | COUPLER 3/8' BSP-90/10MM HOSE |
| 242351 | 1 | O-RING D69.5X3.0 VITON F.S-93 |
| 242354 | 1 | O-RING D32.2X3.0 VITON |
| 242355 | 1 | O-RING D19.2X3.0 VITON F.S-40 |
| 283581 | 1 | HOSE CONNECTOR STR. F.4MM PE |
| 284353 | 1 | SPONGE FOR FOAM MARKER |
| 320095 | 1 | FITT.DK NUT 1" BSP |
| 320176 | 1 | FITT.DK HN 3/8"X1/2" BSP |
| 320456 | 1 | FITT.DK BULKHEAD 1"BSP DOUBLE |
| 320471 | 1 | FITT.DK NUT 1" BSP JAMB |
| 322102 | 1 | FITT.DK S-40 BULKHEAD |
| 322106 | 1 | FITT.DK S-40 BULKHEAD NUT |
| 322109 | 1 | FITT.DK S-93 BULKHEAD NUT |
| 322138 | 1 | FITT.DK ELB 1"M X 1"F BSP |
| 330326 | 1 | O-RING D30/D24X2 F.1"NUT |
| 330341 | 1 | FITT.DK HB 1" F. 1" NUT |
| 330665 | 1 | FITT.DK HB 3/4"F.1" NUT |
| 330831 | 1 | FRICTION PLATE |
| 332581 | 1 | GASKET F. 1-1/2" BSP CAPNUT. |
| 334259 | 1 | GASKET F. S-40 BULKHEAD |
| 334523 | 1 | PIPE HOLDER Ø51.5 |
| 390639 | 1 | O-RING F.NOZZLE FILTER |
| 390925 | 1 | FITTING F.FOAM MIX.CHAMB. STD |
| 390926 | 1 | TUBE,MIX CHAMB. FOAM MARK STD |
| 410701 | 1 | SCREW M6X16 GALV. |
| 421024 | 1 | BOLT HEX 8.8 DEL M8X60 |
| 421201 | 1 | BOLT HEX 8.8 DEL M8X70 |
| 430323 | 1 | BOLT HEX 8.8 DEL M12X60 |
| 430367 | 1 | BOLT HEX 8.8 DEL M12X100 DIN931 |
| 460143 | 1 | SELF LOCK NUT M8 SST A2 DIN985 |
| 460261 | 1 | NUT HEX M6X1.00 LOCK DIN985 A2 SS |
| 460703 | 1 | NUT HEX M12X1.75 LOCK DIN985A2 SS |
| 471127 | 1 | WASHER, M12, Ø24/13X24X2.5 SS |
| 480487 | 1 | PIN M5X60 SLOTTED GALV |
| 611671 | 1 | BREAK AWAY HOLDER F-MARKER |
| 614432 | 1 | BREAK AWAY ARM F. FOAM MARKER |
| 615522 | 1 | CHECK VALVE F.FOAM MARKER |
| 615786 | 1 | MOUNT BKT. F.FOAM DROPPER 98 |
| 726570 | 1 | FITT.DK S-53 ELB.3/4" W.ORING |
| 726693 | 1 | FITT.DK S-40 PLUG 1/8BSP ORING |
| 728323 | 1 | VALVE NON-RETURN |
| 730697 | 1 | FOAM DROPPER COMP. BLACK '97 |
| 741526 | 1 | FOAM DROPPER MT. KIT MB-SPL |
| 927231 | 1 | HOSE R X PVCX3/4 CLR/BRD 0012" |
| 927264 | 1 | HOSE R X PE D6/D4 X 0012" |
| 927306 | 1 | HOSE R X PE D8/D6 X 0012"BLACK |
| 927330 | 1 | HOSE R X PE D10/D8 X 012"BLACK |
| 976183 | 1 | DECAL COMPANY D.18,2 X 29,6 |
| 981561 | 1 | SPONGE MAT. MIX.CHAMBER-x0012" |
| 10010803 | 1 | NUT HEX NC (NYLON LOCK) 5/16 |
| 10453803 | 1 | STRAP F.FOAMER TANK (755mm) |
| 10465903 | 1 | *LID F.FOAM MARKER, DRILLED |



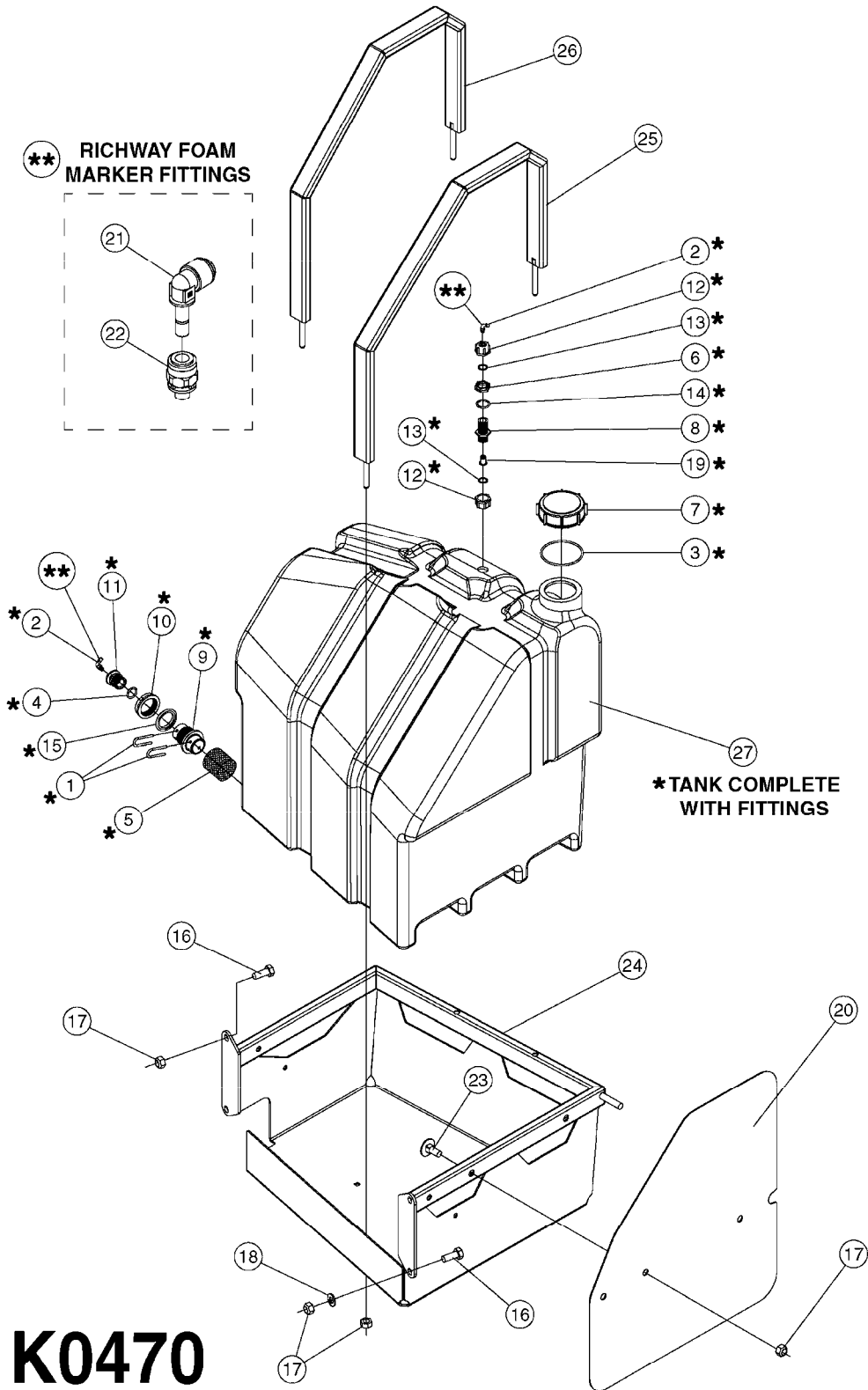
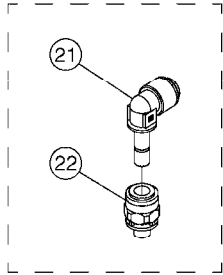
FOAMMARKER TANK/DROPPER 2000
K0430-HIN, 05:12:19

Page 2
Date 07.02.2020 10:04

| parts-n° | order qty | description |
|----------|-----------|-------------------------------------|
| 10494103 | 1 | FILL WELL ASSY.FOAM MARK EPOXY |
| 10494203 | 1 | TANK ASSY. 10 GAL. D14' F/M |
| 10494303 | 1 | TANK ASSY. 15 GAL. D14' F/M |
| 10494403 | 1 | *TANK ASSY. 20 GAL. D14' F/M |
| 10533603 | 1 | DECAL CAUTION-OPEN SLOWLY ENG |
| 10598503 | 1 | STRAP F.FOAMER TANK (880mm) |
| 16261503 | 1 | BRKT, FOAM MRKR TANK, 10/15GAL, RED |
| 23212303 | 1 | HOSE CONNECTOR STR. F.8MM PE |
| 23212403 | 1 | HOSE CONNECTOR STR. F.6MM PE |
| 23214603 | 1 | HOSE CONNECTOR STR. F. 10MM PE |
| 28029903 | 1 | CLAMP HOSE GEAR P3/4"-S1" 6712 |
| 28030103 | 1 | CLAMP HOSE GEAR P5/4-S1.5"6724 |
| 44075300 | 1 | SCREW 3.5X9.5SS/X15 ISO 14585C |
| 61030503 | 1 | BRKT, FOAM MRKR TANK, 20GAL, RED |
| 70019503 | 1 | FOAM MARKER TANK KIT STD 10G |
| 70019603 | 1 | FOAM MARKER TANK KIT STD 15G |
| 70019703 | 1 | FOAM MARKER TANK KIT STD 20G |
| 72048700 | 1 | MIXING CHAMBER, FOAM MARK. STD |
| 92712403 | 1 | HOSE R X1" X300PSI WP X0012" |



**** RICHWAY FOAM MARKER FITTINGS**



*** TANK COMPLETE WITH FITTINGS**

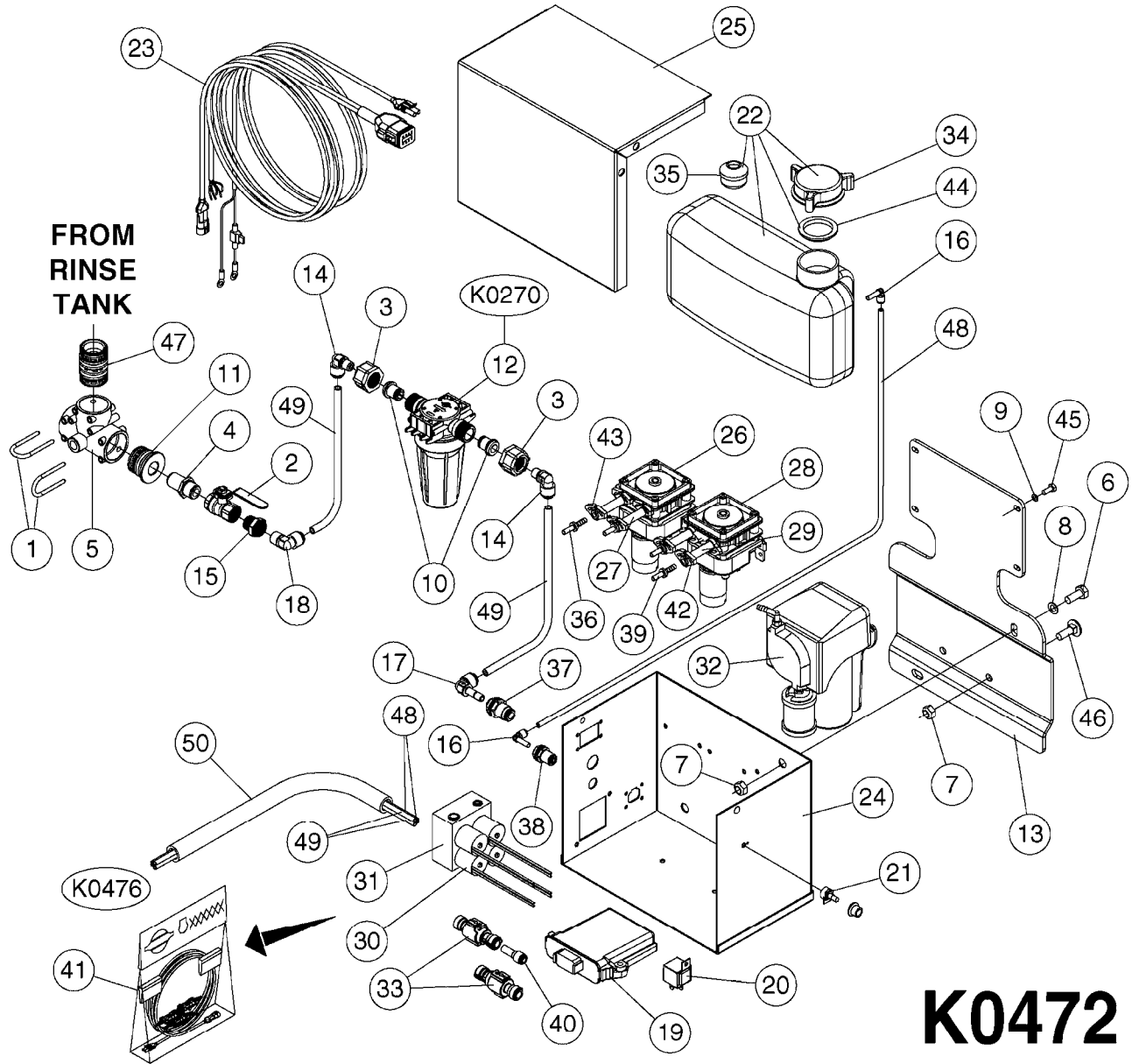
K0470



FOAM MARKER TANK - NCM/NAV
K0470-HIN, 07:08:19

Page 1
Date 07.02.2020 10:04

| Pos. | parts-n° | order qty | description |
|------|----------|-----------|-----------------------------------|
| 1 | 145994 | 1 | FITT.DK S-40 FORK |
| 2 | 232150 | 1 | HOSE CONN. 90DEG. 1/8'X8MM PE |
| 3 | 242043 | 1 | O-RING 49.2 X 5.7 |
| 4 | 242355 | 1 | O-RING D19.2X3.0 VITON F.S-40 |
| 5 | 284353 | 1 | SPONGE FOR FOAM MARKER |
| 6 | 321307 | 1 | FITT.DK NUT 1/2" BSP JAMB |
| 7 | 321322 | 1 | SCREW CAP F. S80 X 4 |
| 8 | 321742 | 1 | FITT.DK BULKHEAD 1/2' BSP |
| 9 | 322102 | 1 | FITT.DK S-40 BULKHEAD |
| 10 | 322106 | 1 | FITT.DK S-40 BULKHEAD NUT |
| 11 | 322133 | 1 | FITT.DK S-40 PLUG W 1/8 THREAD |
| 12 | 322170 | 1 | FITT.DK NUT 1/2"x 1/8"F BSP |
| 13 | 330212 | 1 | O-RING D19/D14X2.4 F.1/2"NUT |
| 14 | 332592 | 1 | O-RING D26/D20X3 |
| 15 | 334259 | 1 | GASKET F. S-40 BULKHEAD |
| 16 | 430286 | 1 | BOLT HEX 8.8 DEL M12X30 FT |
| 17 | 460703 | 1 | NUT HEX M12X1.75 LOCK DIN985A2 SS |
| 18 | 471127 | 1 | WASHER, M12, Ø24/13X24X2.5 SS |
| 19 | 728323 | 1 | VALVE NON-RETURN |
| 20 | 16137100 | 1 | COVER PLATE F.CHEMLOCKER NCM |
| 21 | 23005003 | 1 | FITT, 3/8"PLUG-IN-3/8"90-PTC |
| 22 | 23005503 | 1 | FITT, 1/8"NPT-3/8" TUBE-PTC |
| 23 | 45001300 | 1 | CARRIAGE BOLT M12X35 DIN603 A2 |
| 24 | 63039400 | 1 | CHEMLOCKER FOR NCM BLACK |
| 24 | 63061400 | 1 | CHEMLOCKER FOR NAVIGATOR RED |
| 25 | 63068200 | 1 | FOAM TANK STRAP RED 451 WIDE |
| 26 | 63068400 | 1 | FOAM TANK STRAP RED 403 WIDE |
| 27 | 72437700 | 1 | FM TANK 25 GAL W/FTGS. CM/NAV |

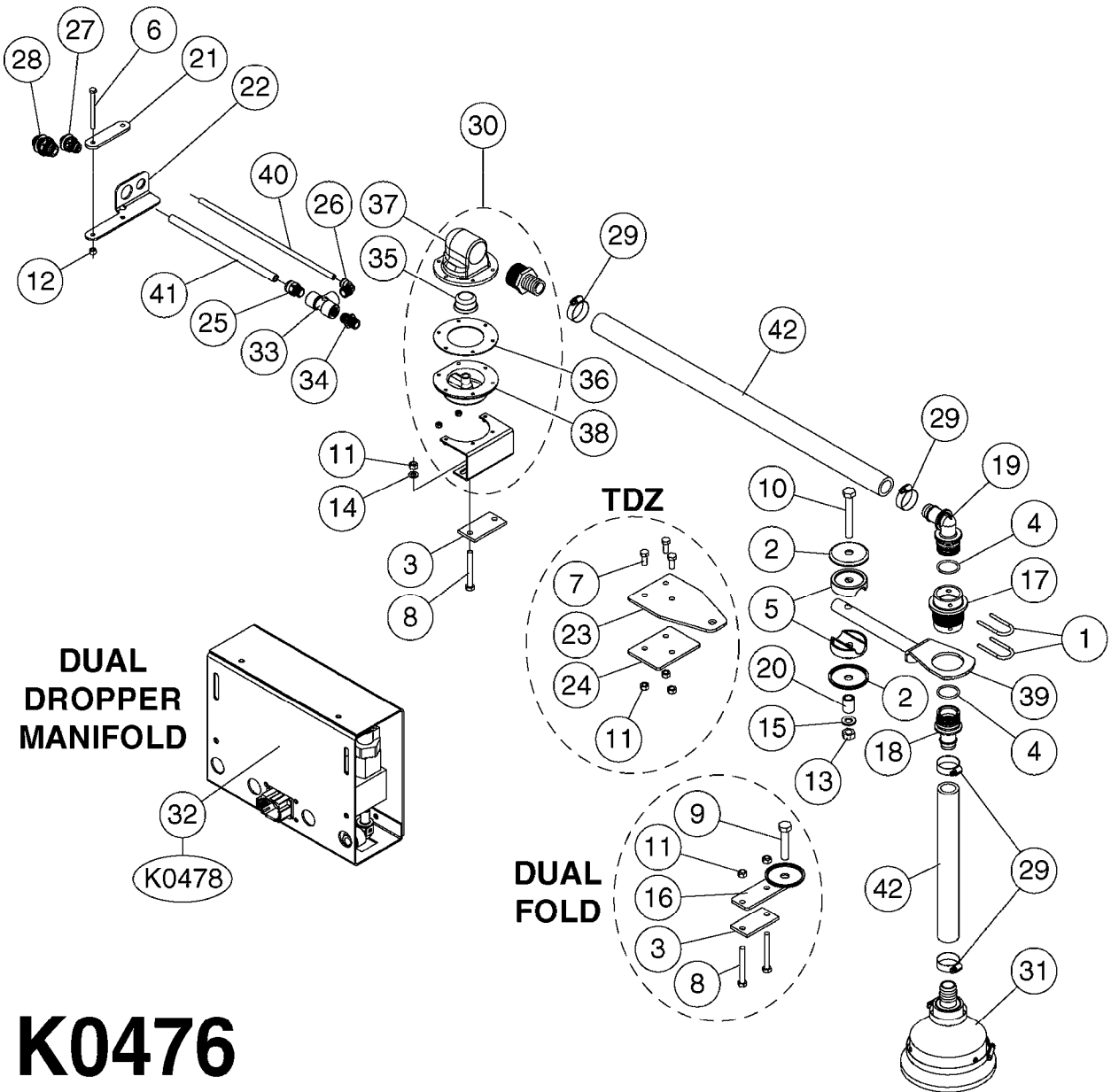




FOAM MARKER - RICHWAY
NAVIGATOR
K0472-HIN, 23:10:18

Page 1
Date 07.02.2020 10:04

| Pos. | parts-n° | order qty | description |
|------|----------|-----------|---|
| 1 | 145995 | 1 | FITT.DK S-53 FORK |
| 2 | 284227 | 1 | BALL VALVE 1/2"FEMALE THREADS |
| 3 | 320283 | 1 | FITT.DK NUT 3/4"BSP |
| 4 | 321742 | 1 | FITT.DK BULKHEAD 1/2' BSP |
| 5 | 322352 | 1 | FITT.DK S-53 TEE |
| 6 | 420604 | 1 | BOLT HEX 8.8 DEL M10X25 FT DIN933 |
| 7 | 460423 | 1 | NUT HEX M10X1.50 LOCK DIN985A2 SS |
| 8 | 470046 | 1 | WASHER D18D11X1 LOCK |
| 9 | 470901 | 1 | WASHER D11.8/D6.1X1.6 SS LOCK |
| 10 | 717426 | 1 | FITT.DK REDUC 1/4"BSP F.3/4"N |
| 11 | 726694 | 1 | PLUG,S53,1/2"FBSP THD W.ORING |
| 12 | 845219 | 1 | FILTER IN-LINE 3/4'80 MESH OML |
| 13 | 16162803 | 1 | BRKT, FOAM MARKER, RICHWAY |
| 14 | 23004703 | 1 | FITT, 1/4"NPT-3/8"90-PTC |
| 15 | 23004803 | 1 | FITT, 1/2"MPT-3/8"FPT REDUCER |
| 16 | 23004903 | 1 | FITT, 1/4"PLUG-IN-1/4"90-PTC |
| 17 | 23005003 | 1 | FITT, 3/8"PLUG-IN-3/8"90-PTC |
| 18 | 23005103 | 1 | FITT, 3/8"NPT-3/8"90-PTC |
| 19 | 26029503 | 1 | MODULE, CONTROL, FOAM MARKER, RICHWAY |
| 20 | 26029603 | 1 | RELAY, 12VDC, RICHWAY |
| 21 | 26029703 | 1 | POTENTIOMETER, FOAM MARKER, RICHWAY |
| 22 | 28064703 | 1 | FOAM MARKER CONC. TANK,RICHWAY COMPLETE TANK ASSEMBLY |
| 23 | 28064803 | 1 | FOAM MARKER CONT.CABLE, RICHWAY |
| 24 | 28086403 | 1 | STEEL BODY, FOAM MARKER, RICHWAY |
| 25 | 28086503 | 1 | STEEL LID, FOAM MARKER, RICHWAY |
| 26 | 28086603 | 1 | WATER PUMP, FOAM MARKER, RICHWAY |
| 26 | 28102303 | 1 | RICHWAY WATER PUMP GEAR MOTOR ONLY |
| 27 | 28086703 | 1 | 1/4" PUMP TUBE, WATER, FOAM MARKER, RICHWAY |
| 28 | 28086803 | 1 | CONCENTRATE PUMP, FOAM MARKER, RICHWAY |
| 29 | 28086903 | 1 | 1/8" PUMP TUBE, CONCENTRATE, FOAM MARKER, RICHWAY |
| 30 | 28087003 | 1 | 2-WAY SOLENOID VALVE, FOAM MARKER, RICHWAY |
| 31 | 28087103 | 1 | RHD-VTD SOLENOID BLOCK, FOAM MARKER, RICHWAY |
| 32 | 28087203 | 1 | DIAPHRAGM AIR COMPRESSOR, FOAM MARKER, RICHWAY |
| 33 | 28087403 | 1 | 3/8" CHECK VALVE, FOAM MARKER, RICHWAY |
| 34 | 28087603 | 1 | 1 GALLON TANK CAP, FOAM MARKER, RICHWAY INCLUDED WITH TANK ASSEMBLY |
| 35 | 28087703 | 1 | 1 GALLON TANK SCREEN, FOAM MARKER, RICHWAY INCLUDED WITH TANK ASSEMBLY |
| 36 | 28094103 | 1 | FITT.1/4" STEM X 1/4" HOSE BARB |
| 37 | 28095803 | 1 | 3/8"T BULKHEAD |
| 38 | 28095903 | 1 | 1/4"T BULKHEAD |
| 39 | 28096403 | 1 | 1/4" STEM X 3/16" HB |
| 40 | 28096503 | 1 | 3/8" STEM X 1/4"T |
| 41 | 28097103 | 1 | POWER UNIT HARNESS, RICHWAY TRAILER INSIDE WIRING HARNESS COMPLETE |
| 42 | 28102103 | 1 | RICHWAY #23 QUICK CLAMP |
| 43 | 28102203 | 1 | RICHWAY #26 QUICK CLAMP |
| 44 | 28102403 | 1 | RICHWAY TANK CAP GASKET |
| 45 | 41000603 | 1 | BOLT HEX 1/4"X1/2" SS |
| 46 | 44074300 | 1 | BOLT CARRIAGE M10x30 SS |
| 47 | 72114300 | 1 | FITT. DK S-53 MALE MALE W.ORIN |
| 48 | 92703303 | 1 | HOSE LLDPE .25"X.17"X12" BLACK |
| 49 | 92703403 | 1 | HOSE LLDPE .38"X.25"X12" BLACK |
| 50 | 92712403 | 1 | HOSE R X1" X300PSI WP X0012" |

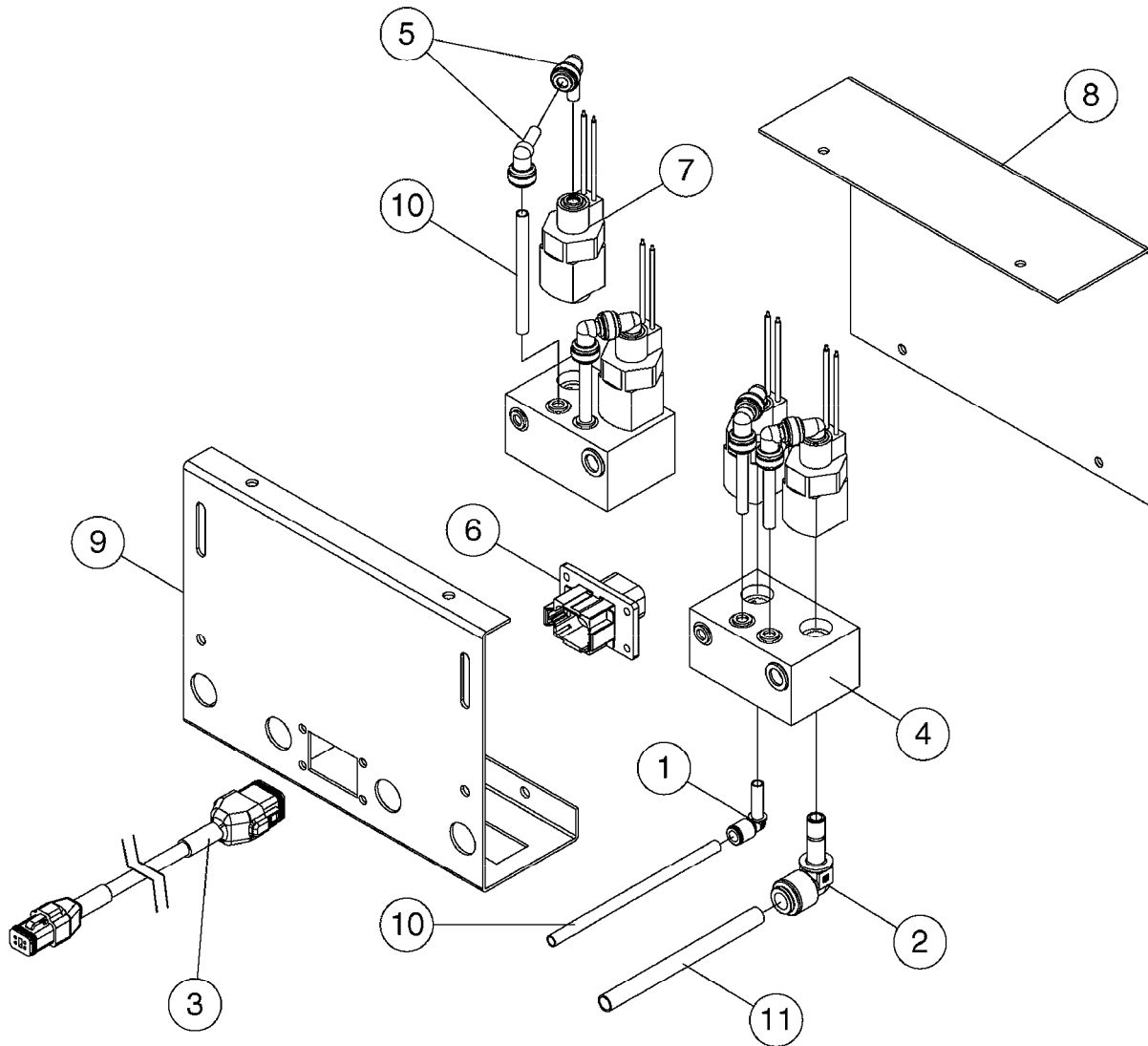


K0476



FOAM MARKER - DROPPER RICHWAY
K0476-HIN, 26:02:18

| Pos. | parts-n° | order qty | description |
|------|----------|-----------|---|
| 1 | 145995 | 1 | FITT.DK S-53 FORK |
| 2 | 160775 | 1 | WASHER F. FRICTION PLATE |
| 3 | 172664 | 1 | FLATBAR BACKING PLATE |
| 4 | 242109 | 1 | O-RING D32.2x3.0 |
| 4 | 242354 | 1 | O-RING D32.2X3.0 VITON |
| 5 | 330831 | 1 | FRICTION PLATE |
| 6 | 410605 | 1 | BOLT HEX 8.8 DEL M6X80 |
| 7 | 420582 | 1 | BOLT HEX 8.8 DEL M8X20 FT A2 |
| 8 | 421201 | 1 | BOLT HEX 8.8 DEL M8X70 |
| 9 | 430323 | 1 | BOLT HEX 8.8 DEL M12X60 |
| 10 | 430924 | 1 | BOLT HEX 8.8 DEL M12 X 85 |
| 11 | 460143 | 1 | SELF LOCK NUT M8 SST A2 DIN985 |
| 12 | 460261 | 1 | NUT HEX M6X1.00 LOCK DIN985 A2 SS |
| 13 | 460703 | 1 | NUT HEX M12X1.75 LOCK DIN985A2 SS |
| 14 | 471126 | 1 | WASHER, M8, Ø16/ 8.4X 1.6, SS |
| 15 | 471127 | 1 | WASHER, M12, Ø24/13X24X2.5 SS |
| 16 | 611671 | 1 | BREAK AWAY HOLDER F-MARKER |
| 17 | 726463 | 1 | FITT.DK S53 BULKHEAD W/GASKET |
| 18 | 726559 | 1 | FITT DK. S-53 HB 1" W/O-RING |
| 19 | 726571 | 1 | FITT.DK S-53 ELB.1", W ORING |
| 20 | 14103900 | 1 | BUSHING Ø19/Ø13 L=26.5 SPC/FTZ BOOMS ONLY |
| 21 | 16022403 | 1 | BRACKET 60MM TUBE |
| 22 | 16162903 | 1 | BRKT, FOAM LINE DISCONNECT |
| 23 | 16169803 | 1 | BRACKET, TDZ FOAM MARKER MOUNT |
| 24 | 16170003 | 1 | PLATE, TDZ FOAM MARKER MOUNT BACKER |
| 25 | 23004303 | 1 | FITT, 3/8"NPT-3/8"TUBE-PTC |
| 26 | 23004403 | 1 | FITT, 3/8"NPT-1/4"90-PTC |
| 27 | 23004503 | 1 | FITT, BULKHEAD-1/4" TUBE-PTC |
| 28 | 23004603 | 1 | FITT, BULKHEAD-3/8" TUBE-PTC |
| 29 | 28030003 | 1 | CLAMP HOSE GEAR P1" 6716 |
| 30 | 28064903 | 1 | FOAMHEAD ASSEMBLY, RICHWAY |
| 31 | 28065003 | 1 | COLLECTOR HEAD ASSY, RICHWAY |
| 32 | 28065103 | 1 | DUAL DROP MANIFOLD, RICHWAY |
| 33 | 28066303 | 1 | FITT, BANJO, 3/8" TEE |
| 34 | 28066403 | 1 | FITT, BANJO, 3/8"-3/8" STR NIP |
| 35 | 28087803 | 1 | 3/8" FOAMHEAD SCREEN, FOAM MARKER, RICHWAY |
| 36 | 28087903 | 1 | FOAMHEAD GASKET, FOAM MARKER, RICHWAY |
| 37 | 28088003 | 1 | FOAMHEAD TOP HOUSING, FOAM MARKER, RICHWAY |
| 38 | 28088103 | 1 | FOAMHEAD BOTTOM HOUSING, FOAM MARKER, RICHWAY |
| 39 | 61065900 | 1 | BRACKET FOR FOAM DROPPER, S53 |
| 40 | 92703303 | 1 | HOSE LLDPE .25"X.17"X12" BLACK |
| 41 | 92703403 | 1 | HOSE LLDPE .38"X.25"X12" BLACK |
| 42 | 92712403 | 1 | HOSE R X1" X300PSI WP X0012" |



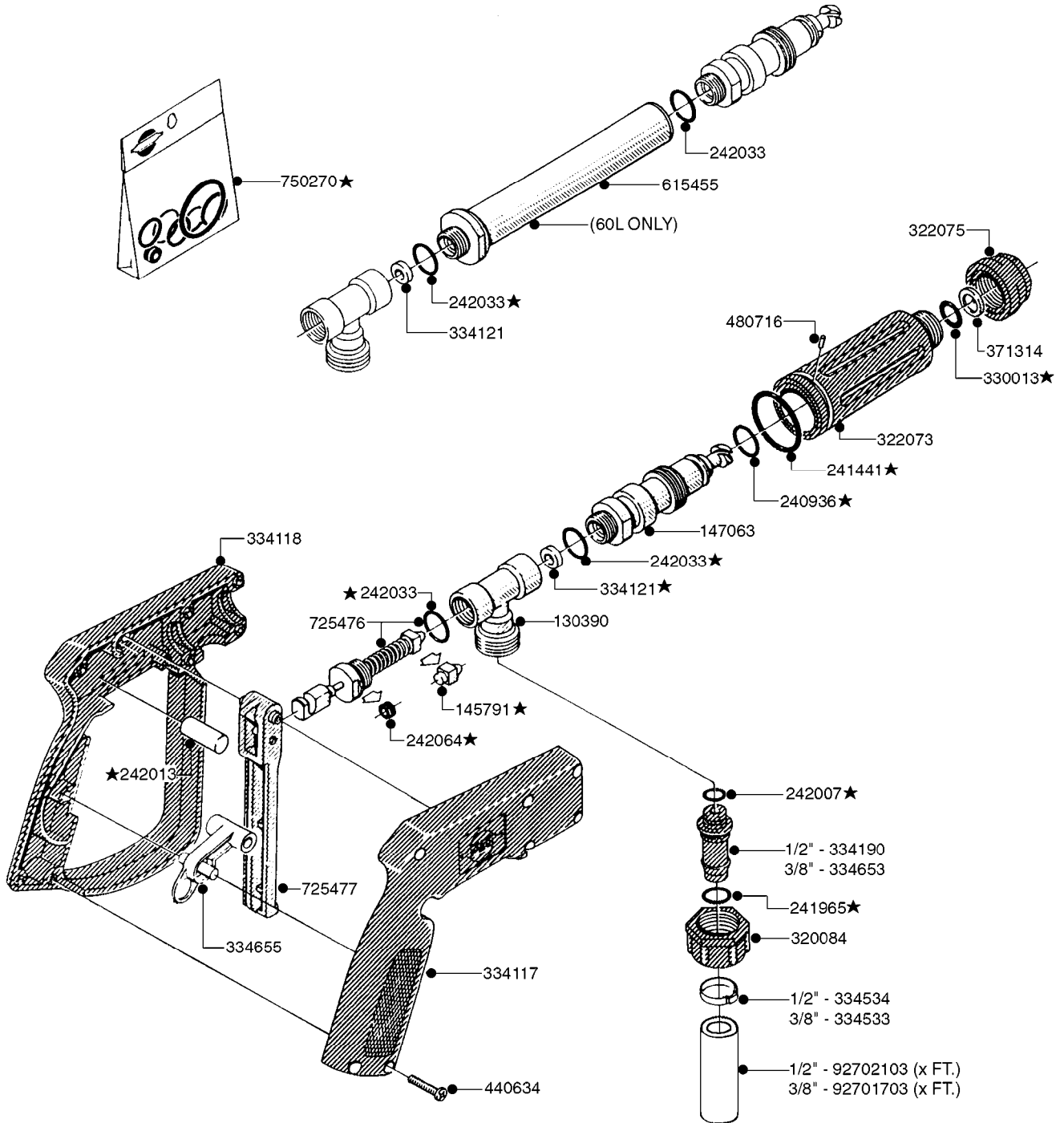
K0478



FOAM MARKER - DUAL DROPPER
RICHWAY
K0478-HIN, 26:09:16

Page 1
Date 07.02.2020 10:04

| Pos. | parts-n° | order qty | description |
|------|----------|-----------|--|
| 1 | 23004903 | 1 | FITT, 1/4"PLUG-IN-1/4"90-PTC |
| 2 | 23005003 | 1 | FITT, 3/8"PLUG-IN-3/8"90-PTC |
| 3 | 28065203 | 1 | DUAL DROP HARNESS, RICHWAY |
| 4 | 28088603 | 1 | RHD-DDASY SOLENOID BLOCK, FOAM MARKER, RICHWAY |
| 5 | 28096203 | 1 | 1/4" STEM X 1/4"T ELBOW |
| 6 | 28096603 | 1 | FEMALE DEUTSCH CONNECTOR |
| 7 | 28096703 | 1 | 3-WAY SOLENOID VALVE |
| 8 | 28096803 | 1 | DUAL DROPPER LID |
| 9 | 28096903 | 1 | DUAL DROPPER BODY |
| 10 | 92703303 | 1 | HOSE LLDPE .25"X.17"X12" BLACK |
| 11 | 92703403 | 1 | HOSE LLDPE .38"X.25"X12" BLACK |



COMPLETE ASSEMBLY:
843197 - 60L
843196 - 60S

COMPLETE ASSEMBLIES
WHOLEGOODS ITEMS

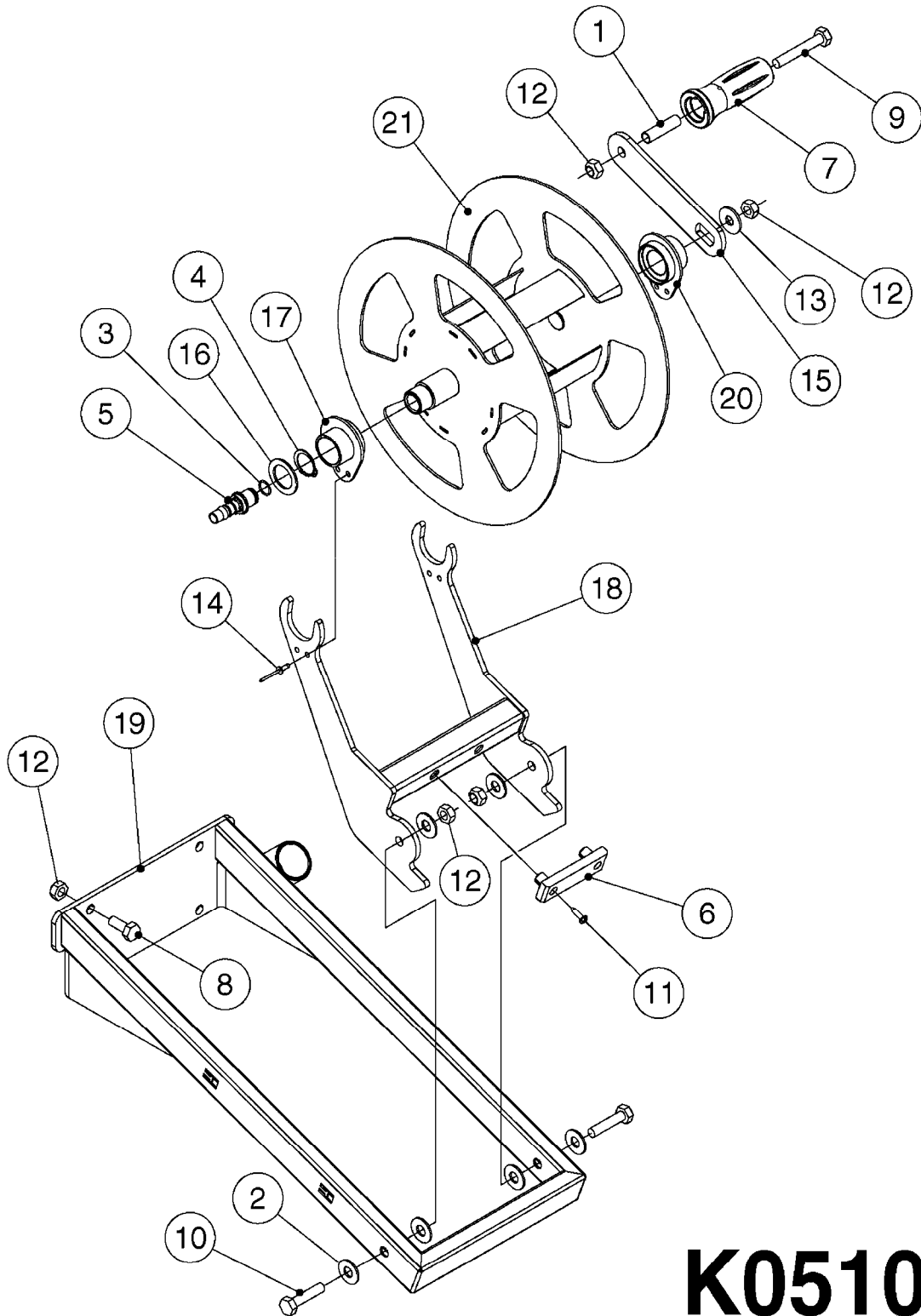
K0480



HANDGUN TYPE 60S/60L POST 95
K0480-HIN, 01:01:16

Page 1
Date 07.02.2020 10:04

| parts-n° | order qty | description |
|----------|-----------|--------------------------------|
| 130390 | 1 | TEE 3/8'X 1/2' BSP F.TYPE 60S |
| 145791 | 1 | CONE FOR ON/OFF |
| 147063 | 1 | SWIRL F.SPRAY GUN TYPE 60 |
| 240936 | 1 | O-RING D13.3X2.4 NITRIL |
| 241441 | 1 | O-RING D29.3X3 |
| 241965 | 1 | O-RING Ø12.1 X 1.6 NITRILE |
| 242007 | 1 | O-RING Ø9.1 X 1.6 NITRILE |
| 242013 | 1 | SPRING RUBBER F/TRIGGER |
| 242033 | 1 | O-RING Ø14.1 X 1.6 NITRILE |
| 242064 | 1 | SLEEVE RUBBER 3X8X4MM |
| 320084 | 1 | FITT.DK NUT 1/2" BSP |
| 322073 | 1 | HOUSING F.SWIRL TYPE 60S H.G. |
| 322075 | 1 | HOUSING F. NOZZLE |
| 330013 | 1 | O-RING 2.5 X 10 PUR |
| 334117 | 1 | HANDLE PIECE RIGHT F.60S/60L |
| 334118 | 1 | HANDLE PIECE LEFT F.60S/60L |
| 334121 | 1 | SEAT FOR ON-OFF TYPE |
| 334190 | 1 | FITT.DK HB 1/2' F. PISTOL 60S |
| 334533 | 1 | CLAMP HOSE PLASTIC 3/8" |
| 334534 | 1 | CLAMP HOSE PLASTIC 1/2" |
| 334653 | 1 | FITT.DK HB 3/8' F.HANDGUN |
| 334655 | 1 | TRIGGER SAFETY F.60S/60L GUN |
| 371314 | 1 | NOZZLE CERAMIC 1099-20 |
| 440634 | 1 | SCREW 5/8" |
| 480716 | 1 | PIN D3X6 STAINLESS |
| 615455 | 1 | TUBE F.LANCE TYPE 60L |
| 725476 | 1 | SPINDLE |
| 725477 | 1 | TRIGGER |
| 750270 | 1 | GASKET KIT F.SPRAY GUN |
| 843196 | 1 | SPRAY GUN KIT TYPE 60 SHORT |
| 843197 | 1 | HANDGUN KIT TYPE 60 LONG |
| 92701703 | 1 | HOSE R X3/8" X300PSI WP X0012" |
| 92702103 | 1 | HOSE R X1/2" X300PSI WP X0012" |



K0510

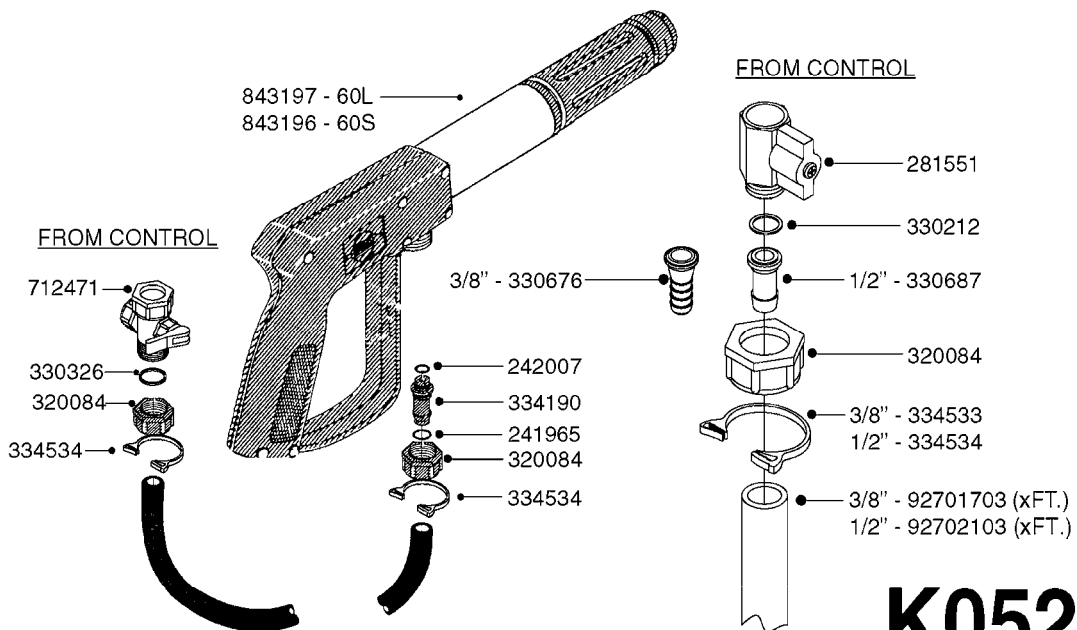
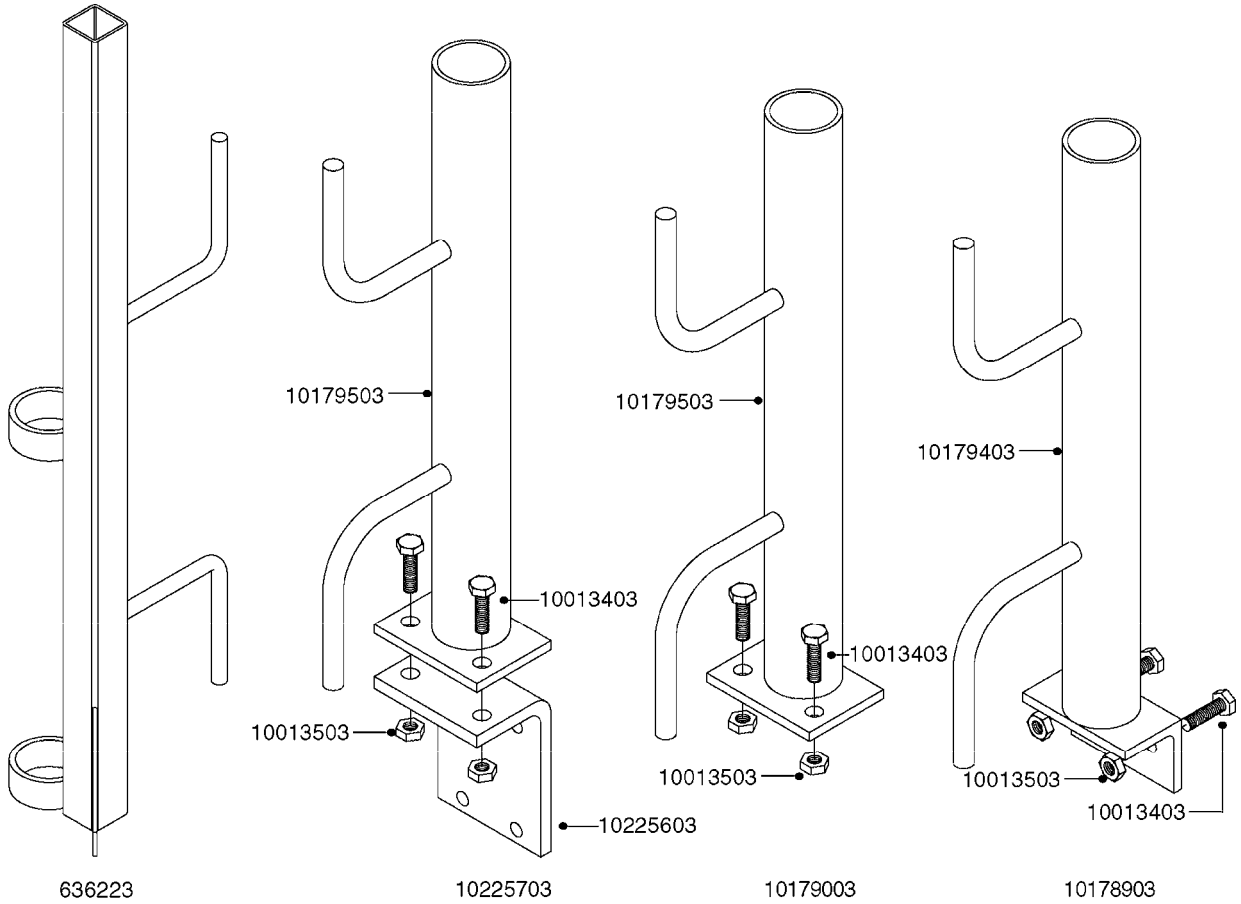


HOSE REEL - NAVIGATOR
K0510-HIN, 01:01:16

Page 1

Date 07.02.2020 10:04

| Pos. | parts-n° | order qty | description |
|------|----------|-----------|-----------------------------------|
| 1 | 159912 | 1 | BUSHING 12.0/10.2 - 45.5 |
| 2 | 165557 | 1 | WASHER D28.0/D12.2X2.0 SS |
| 3 | 242003 | 1 | O-RING D14.1X1.6 VITON |
| 4 | 281982 | 1 | SNAP-RING OUTER 26X1.2 DIN4711 |
| 5 | 332905 | 1 | FITT.DK HB 1/2" F. 3/4" CAP |
| 6 | 333956 | 1 | SLIDE SHOE 91X25X10 |
| 7 | 334104 | 1 | GRIP |
| 8 | 420604 | 1 | BOLT HEX 8.8 DEL M10X25 FT DIN933 |
| 9 | 421083 | 1 | BOLT HEX 8.8 DEL M10X65 |
| 10 | 421226 | 1 | BOLT HEX 8.8 DEL M10X45 |
| 11 | 440665 | 1 | SCREW M4.2X16 STAINLESS |
| 12 | 460423 | 1 | NUT HEX M10X1.50 LOCK DIN985A2 SS |
| 13 | 471140 | 1 | WASHER D30/D10.5X2.5 STAINLESS |
| 14 | 480804 | 1 | RIVET Ø4.8x14.5 |
| 15 | 16118400 | 1 | ARM FOR HANDLE ON HOSE REEL |
| 16 | 16127500 | 1 | WASHER D40.0/27.0/2.0/RED |
| 17 | 61048300 | 1 | AXLE LOCK F.HOSE REEL |
| 18 | 61048700 | 1 | HOSE REEL TILT ARM - NAVIGATOR |
| 19 | 61048900 | 1 | BRACKET FOR HOSE REEL NAV |
| 20 | 61050300 | 1 | AXLE LOCK F.HOSE REEL |
| 21 | 63036500 | 1 | HOSE REEL FOR HOSE |



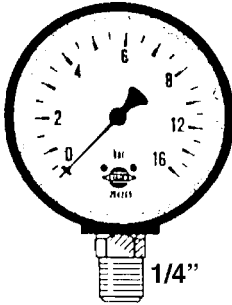
K0520



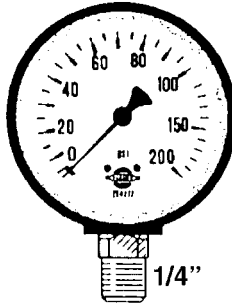
HOSE WRAPS
K0520-HIN, 05:12:19

Page 1
Date 07.02.2020 10:04

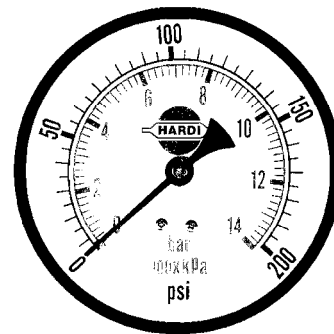
| parts-n° | order qty | description |
|----------|-----------|--------------------------------|
| 241965 | 1 | O-RING Ø12.1 X 1.6 NITRILE |
| 242007 | 1 | O-RING Ø9.1 X 1.6 NITRILE |
| 281551 | 1 | BALL VALVE 1/2" |
| 320084 | 1 | FITT.DK NUT 1/2" BSP |
| 330212 | 1 | O-RING D19/D14X2.4 F.1/2"NUT |
| 330326 | 1 | O-RING D30/D24X2 F.1"NUT |
| 330676 | 1 | FITT.DK HB 3/8" F. 1/2" NUT |
| 330687 | 1 | FITT.DK HB 1/2" F. 1/2" NUT |
| 334190 | 1 | FITT.DK HB 1/2' F. PISTOL 60S |
| 334533 | 1 | CLAMP HOSE PLASTIC 3/8" |
| 334534 | 1 | CLAMP HOSE PLASTIC 1/2" |
| 636223 | 1 | POST 12 VOLT TR30 |
| 712471 | 1 | AGITATION VALVE ASSY. ON/OFF |
| 843196 | 1 | SPRAY GUN KIT TYPE 60 SHORT |
| 843197 | 1 | HANDGUN KIT TYPE 60 LONG |
| 10013403 | 1 | BOLT HEX 3/8-16X1 1/4 HCS Z5 |
| 10013503 | 1 | NUT HEX NC 3/8" |
| 10178903 | 1 | WRAP HOSE SIDE MOUNT PLATE |
| 10179003 | 1 | WRAP HOSE BOTTOM PLATE MOUNT |
| 10179403 | 1 | WRAP WELDMENT FOR HI101789 |
| 10179503 | 1 | WRAP WELDMENT FOR HI101790 |
| 10225603 | 1 | BKT.FOR HOSE WRAP MOUNT NL NK |
| 10225703 | 1 | WRAP HOSE BDL.BOTTOM PLATE |
| 92701703 | 1 | HOSE R X3/8" X300PSI WP X0012" |
| 92702103 | 1 | HOSE R X1/2" X300PSI WP X0012" |



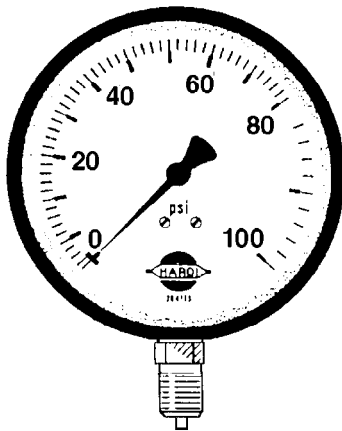
284269
0-8-16 bar
BRASS
2.5" GAUGE



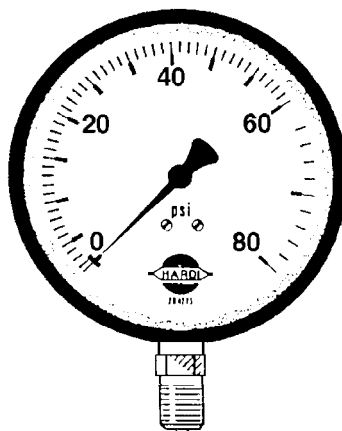
28026203
0-100-200 psi
STAINLESS
2.5" GAUGE



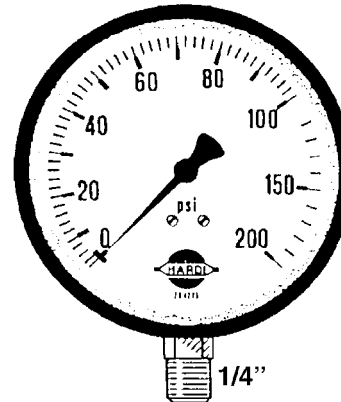
28014403
200 psi (14 bar)
STAINLESS
4" GAUGE



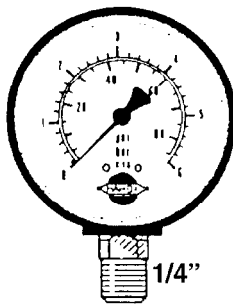
844086
100 bar (1400 psi)
BRASS
2.5" GAUGE



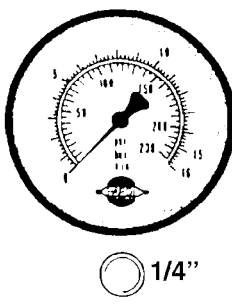
844088
80 bar (1200 psi)
STAINLESS
1.5" GAUGE



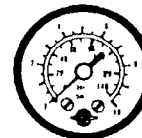
28026103
0-100-200 psi
STAINLESS
4" GAUGE



280637
6 bar (85 psi)
BRASS
2.5" GAUGE



283754
16 bar (230 psi)
BRASS
2.5" GAUGE



844082
10 bar (140 psi)
BRASS
1.5" GAUGE

K0560

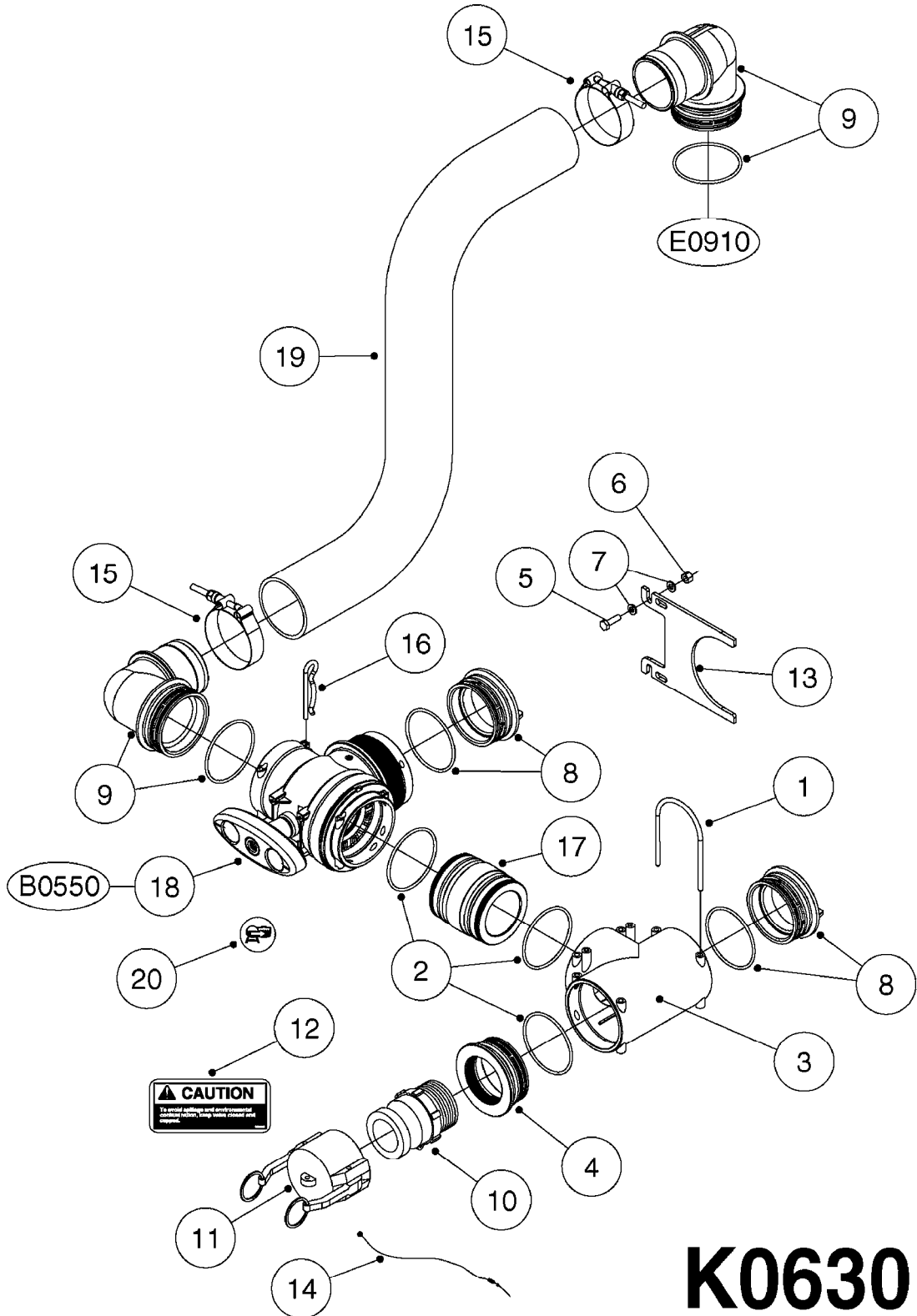


PRESSURE GAUGES
K0560-HIN, 01:01:16

Page 1

Date 07.02.2020 10:04

| parts-n° | order qty | description |
|----------|-----------|--------------------------------------|
| 280637 | 1 | GAUGE 2.5"BR BOTT.PSI85 BAR6 |
| 283754 | 1 | GAUGE 2.5'BR REAR PSI200 BAR16 |
| 284269 | 1 | PRESSURE GAUGE 0-8-16 BAR Ø2,5" 1/4" |
| 844082 | 1 | GAUGE 1.5'BR REAR PSI140BAR10 |
| 844086 | 1 | GAUGE 2.5'BR BOTT.PSI1000BAR80 |
| 844088 | 1 | GAUGE 2.5'BR BOTT PSI1200BAR80 |
| 28014403 | 1 | GAUGE 4"BR REAR PSI200 |
| 28026103 | 1 | GAUGE 200PSI/BR, 4", 1/4"BSP-BTM |
| 28026203 | 1 | GAUGE 200PSI/BR, 2.5"1/4BSP-BTM |



K0630

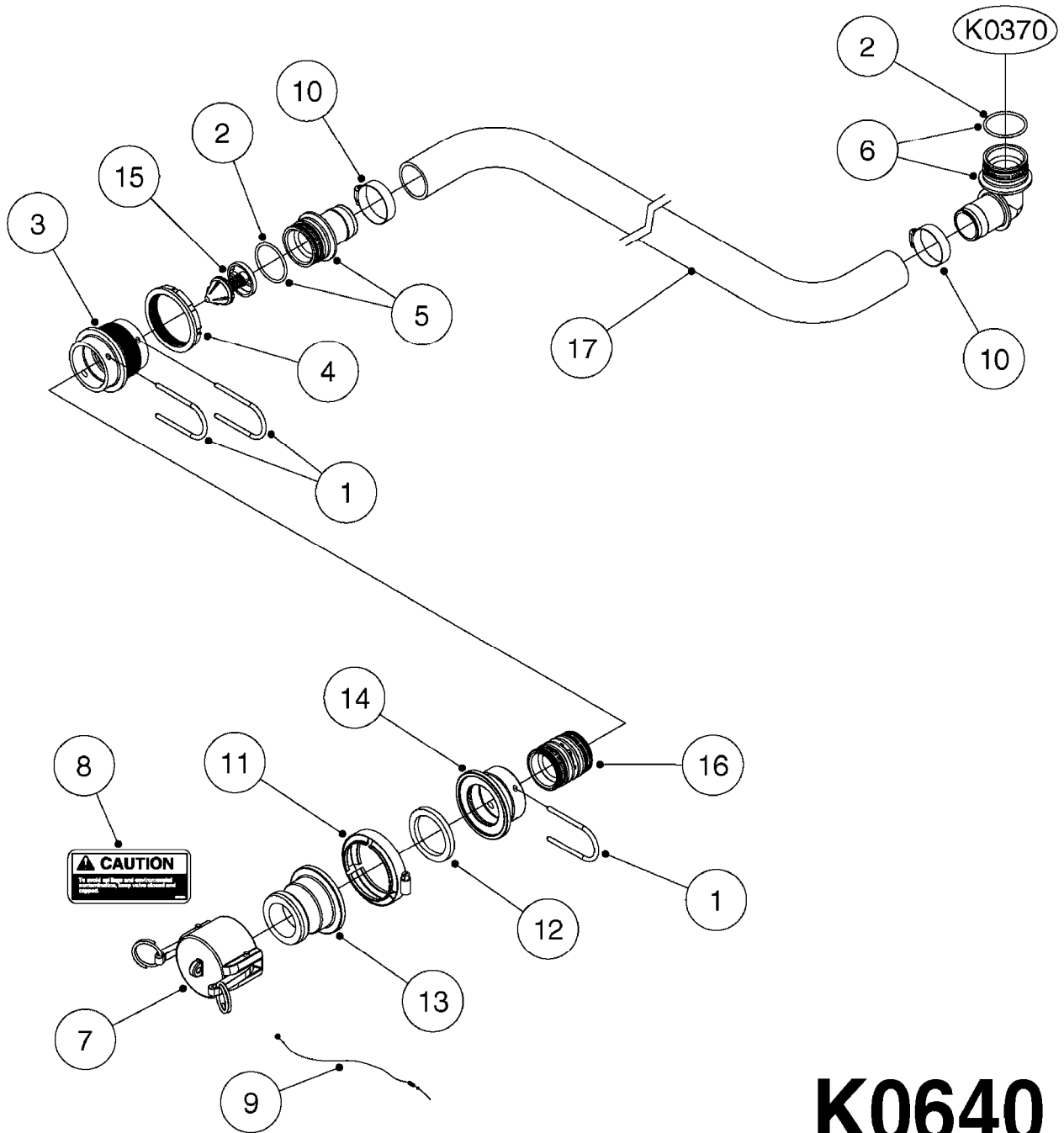


QUICKFILL - NAV3000/3500/4000
K0630-HIN, 28:01:19

Page 1

Date 07.02.2020 10:04

| Pos. | parts-n° | order qty | description |
|------|----------|-----------|-----------------------------------|
| 1 | 145997 | 1 | FITT.DK S-93 FORK |
| 2 | 242351 | 1 | O-RING D69.5X3.0 VITON F.S-93 |
| 3 | 334545 | 1 | FITT.DK S-93 TEE |
| 4 | 390721 | 1 | FITT.DK S-93 PLUG W/2" NPT THRE |
| 5 | 410362 | 1 | BOLT HEX 8.8 SS M6X20 |
| 6 | 460261 | 1 | NUT HEX M6X1.00 LOCK DIN985 A2 SS |
| 7 | 471125 | 1 | WASHER M6U 6.4X14X1.2,A2 SS |
| 8 | 726580 | 1 | FITT. S93 PLUG W/O-RING |
| 9 | 727226 | 1 | FITT. S93 2-1/2" 90° S W/O-RING |
| 10 | 10530903 | 1 | QUICK COUPLER MALE 2" |
| 11 | 10531003 | 1 | CAP F.MALE QUICK COUPLER 2" |
| 12 | 10533303 | 1 | DECAL CAUTION-LEAK Q.FILL ENG |
| 13 | 16476000 | 1 | BRACKET F. FILLING DEV. NAV. |
| 14 | 24001203 | 1 | RBR LANYARD 11" F.QCK FILL CAP |
| 15 | 28030303 | 1 | CLAMP HOSE T-BOLT S2.5" 235-76 |
| 16 | 28168400 | 1 | HAIRPIN Ø5 S67/S93 |
| 17 | 39121700 | 1 | FITT.DK S93 ADAP LG MALE MALE |
| 18 | 72518800 | 1 | QUICK FILL VALVE 2008 NAV |
| 19 | 92702803 | 1 | HOSE PVC SUCT GRAY 2.5" |
| 20 | 97822100 | 1 | DECAL QUICK FILL NAV 3000/4000 |



K0640

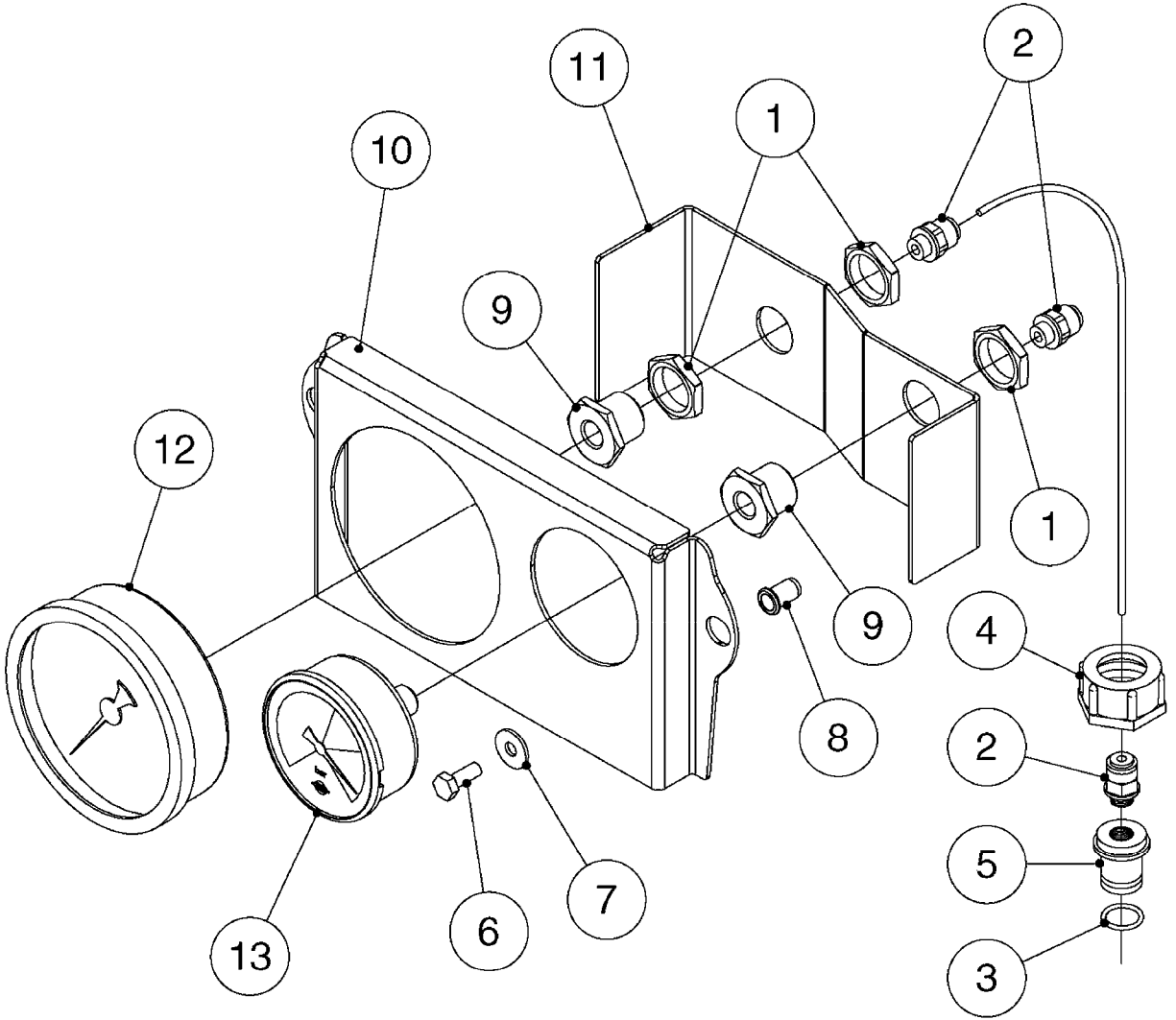


QUICKFILL - FLUSH/NAV3000-4000
K0640-HIN, 01:01:16

Page 1

Date 07.02.2020 10:04

| Pos. | parts-n° | order qty | description |
|------|----------|-----------|--------------------------------|
| 1 | 145996 | 1 | FITT.DK S-67 FORK |
| 2 | 242353 | 1 | O-RING 3 X 44.2 VITON |
| 3 | 322104 | 1 | FITT.DK S-67 BULKHEAD |
| 4 | 322108 | 1 | FITT.DK S-67 BULKHEAD NUT |
| 5 | 727223 | 1 | FITT.S67 1.5" STRAIT S W/ORING |
| 6 | 727224 | 1 | FITT.DK S67X90,1.5HB SUCTION |
| 7 | 10531003 | 1 | CAP F.MALE QUICK COUPLER 2" |
| 8 | 10533303 | 1 | DECAL CAUTION-LEAK Q.FILL ENG |
| 9 | 24001203 | 1 | RBR LANYARD 11" F.QCK FILL CAP |
| 10 | 28030103 | 1 | CLAMP HOSE GEAR P5/4-S1.5"6724 |
| 11 | 28034503 | 1 | CLAMP F. 2" STD BANJO FLANGE |
| 12 | 28034603 | 1 | GASKET F. 2" FP BANJO FLANGE |
| 13 | 28049903 | 1 | COUPLER, 2" FP, MALE, FLANGED |
| 14 | 39002003 | 1 | FITT S67/2" FP BANJO FLANGE |
| 15 | 72089900 | 1 | CHECK VALVE S67 SUBASMBLY.2001 |
| 16 | 72432400 | 1 | FITT.DK S-67 CONNEC W.CHK SEAT |
| 17 | 92702603 | 1 | HOSE PVC SUCT GRAY 1-1/2" |



K0710

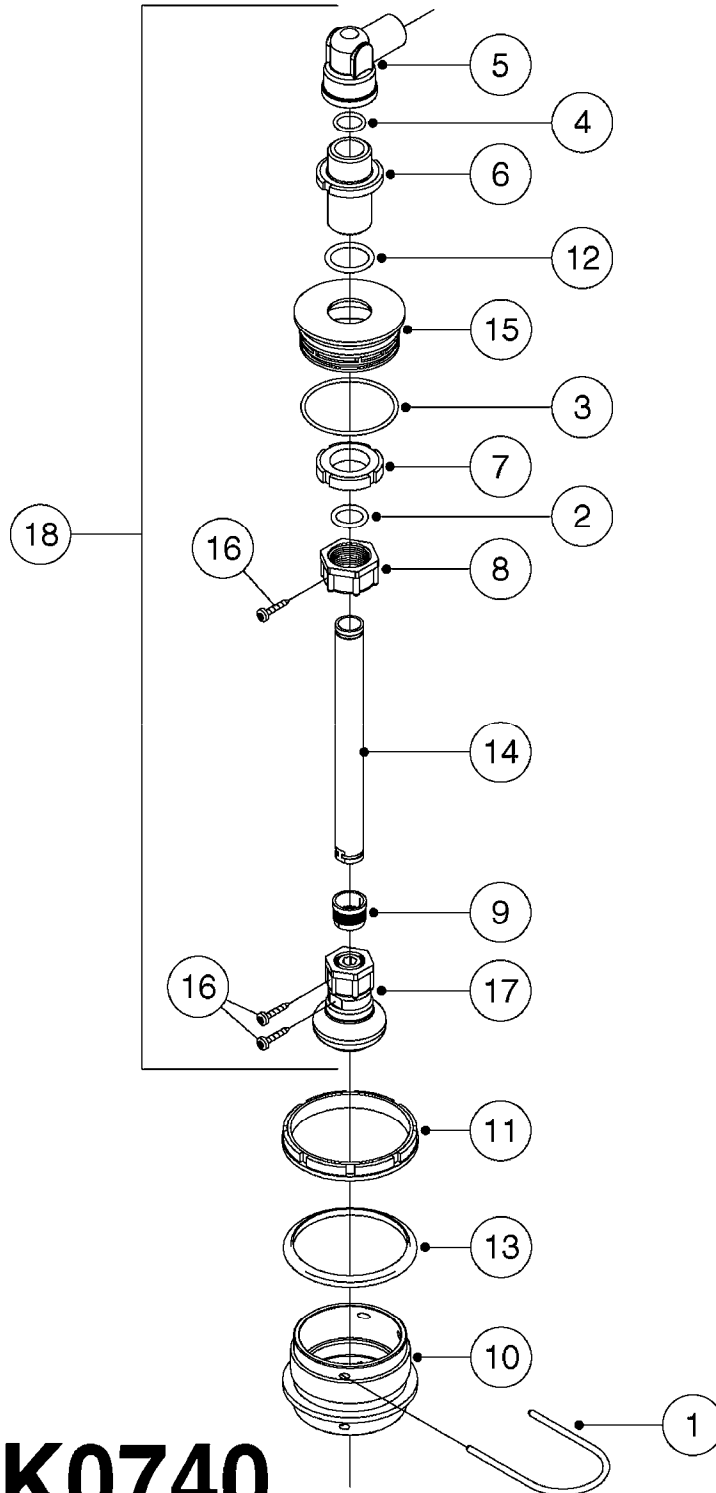


REMOTE GAUGES - NAVIGATOR
K0710-HIN, 01:01:16

Page 1

Date 07.02.2020 10:04

| Pos. | parts-n° | order qty | description |
|------|----------|-----------|--|
| 1 | 140766 | 1 | NUT 1/2" BSP |
| 2 | 231346 | 1 | QUICK COUPLER 1/8"BSP X 4 MM |
| 3 | 242594 | 1 | O-RING D14 X 1.78 SCH.70-EPDM |
| 4 | 320283 | 1 | FITT.DK NUT 3/4"BSP |
| 5 | 321926 | 1 | FITTING BSP3/4""-1/8" |
| 6 | 410185 | 1 | BOLT HEX 8.8 DEL M6X16 |
| 7 | 471124 | 1 | WASHER, M6, Ø18/ 6.4X 1.6, SS |
| 8 | 480811 | 1 | BLIND FASTENER M6 STAINLESS |
| 9 | 14055400 | 1 | FITT.DK REDUC 1/2"x1/8"x1/4"BS |
| 10 | 16421800 | 1 | PLATE F. PRESS GAUGE FRONT, NAV 5/6000 |
| 11 | 16421900 | 1 | PLATE F. PRESS GAUGE BACK, NAV 5/6000 |
| 12 | 28014403 | 1 | GAUGE 4"BR REAR PSI200 |
| 13 | 28053400 | 1 | GAUGE VACUUM SUCT. FILTER NCM |



K0740

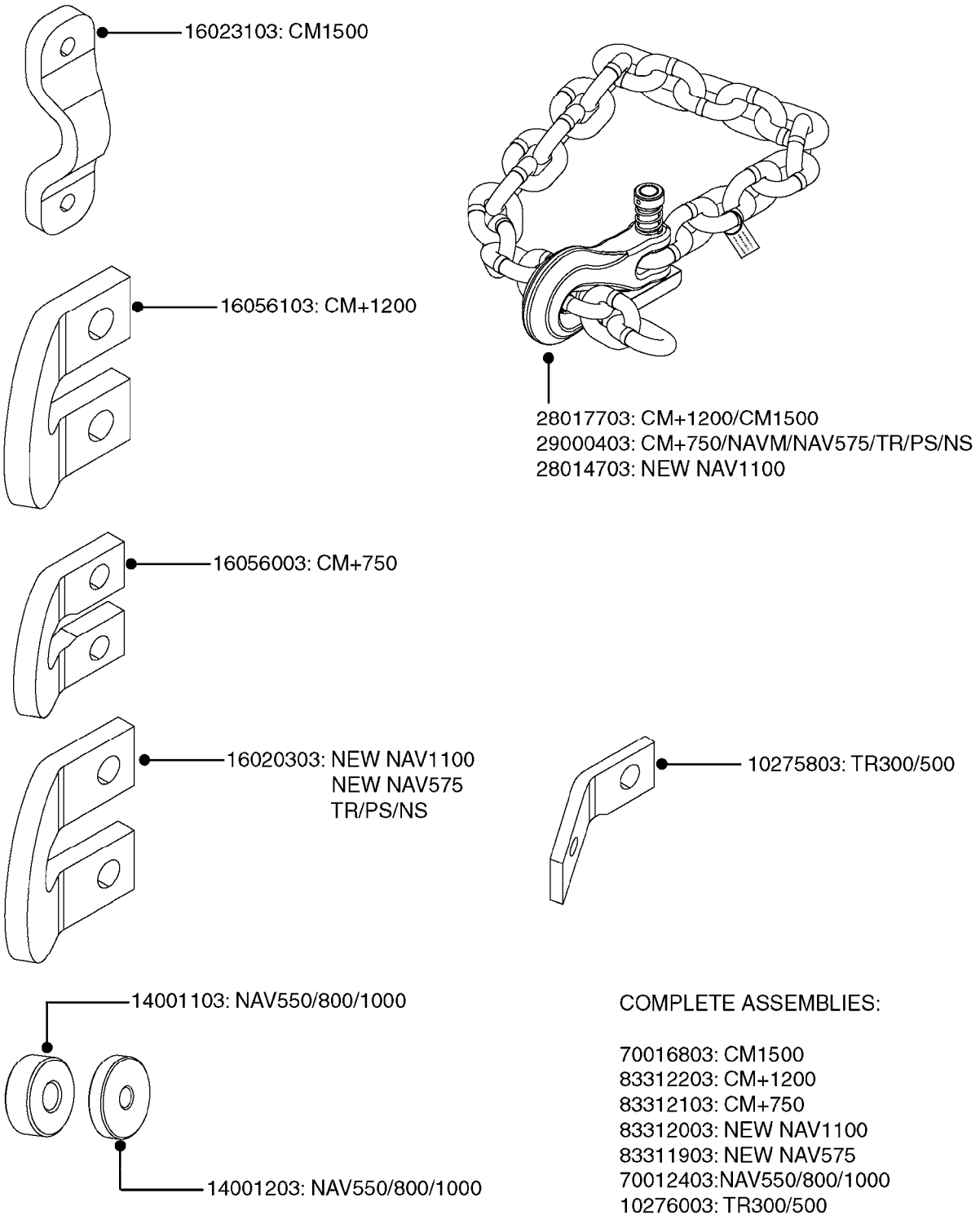


RINSE SYSTEM NOZZLE - LOW MOD.
K0740-HIN, 01:01:16

Page 1

Date 07.02.2020 10:04

| Pos. | parts-n° | order qty | description |
|------|----------|-----------|--------------------------------|
| 1 | 145997 | 1 | FITT.DK S-93 FORK |
| 2 | 240306 | 1 | O-RING D29/D21X4 |
| 3 | 242351 | 1 | O-RING D69.5X3.0 VITON F.S-93 |
| 4 | 242355 | 1 | O-RING D19.2X3.0 VITON F.S-40 |
| 5 | 320342 | 1 | FITT.DK EL 3/4" M X 1" F BSP |
| 6 | 320456 | 1 | FITT.DK BULKHEAD 1" BSP DOUBLE |
| 7 | 320471 | 1 | FITT.DK NUT 1" BSP JAMB |
| 8 | 320574 | 1 | FITT.DK NUT 1" BSP SPECIAL |
| 9 | 321484 | 1 | BUSHING THREADED F.NOZZ.TUBE |
| 10 | 322105 | 1 | FITT.DK S-93 BULKHEAD DOUBLE |
| 11 | 322109 | 1 | FITT.DK S-93 BULKHEAD NUT |
| 12 | 332577 | 1 | O-RING D38/D30X4 F.1" PUR. |
| 13 | 334262 | 1 | GASKET F.S-93 BULKHEAD |
| 14 | 341106 | 1 | TUBE F.RINSE NOZZLE L=220 |
| 15 | 390485 | 1 | FITT.DK S-93 PLUG W D34 HOLE |
| 16 | 440665 | 1 | SCREW M4.2X16 STAINLESS |
| 17 | 728014 | 1 | RINSE NOZZLE MOUNTED |
| 18 | 72358000 | 1 | TANK RINSE LOW MOD.ASSMBLY NCM |



K0770

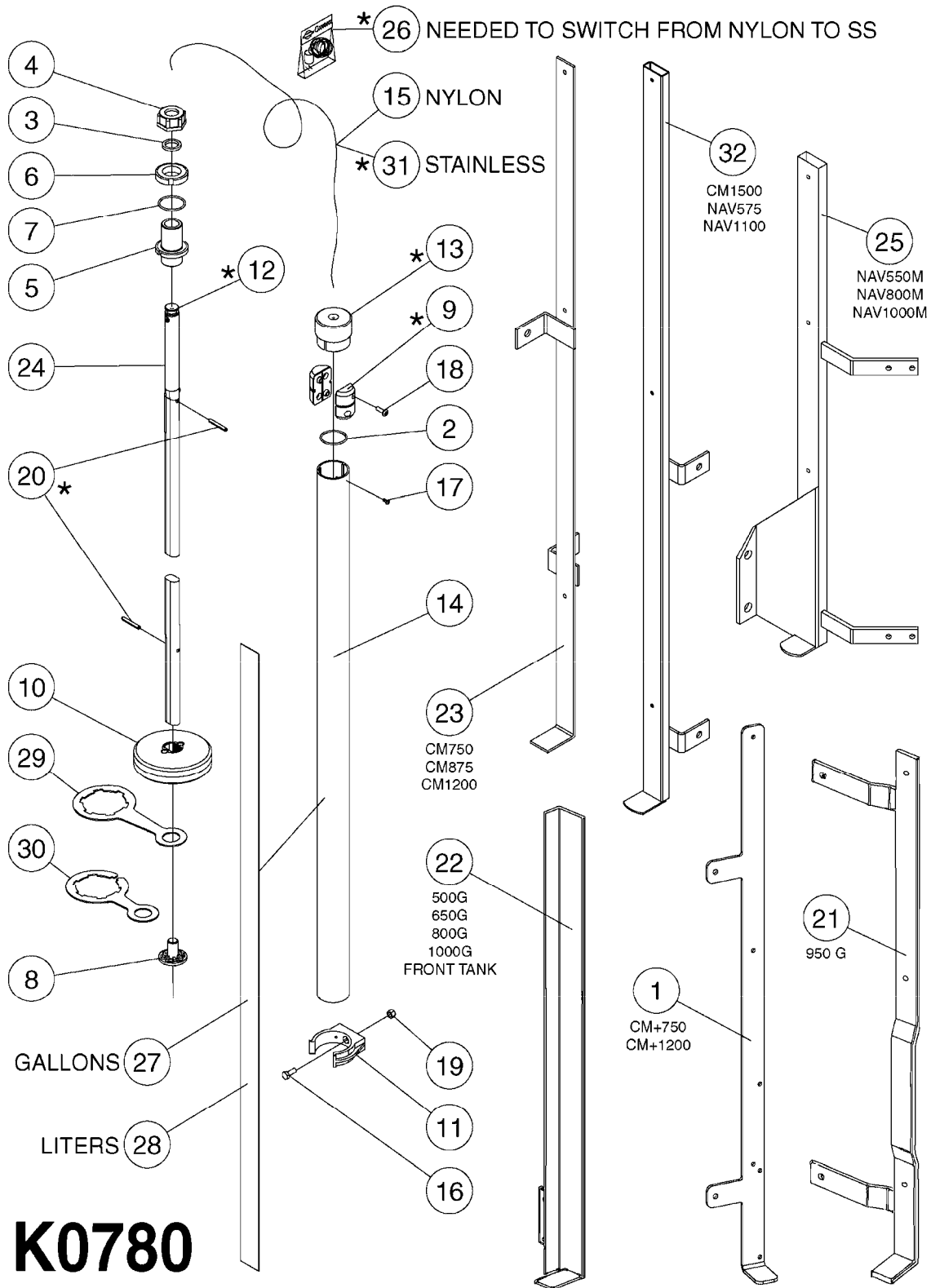


SAFETY CHAINS
K0770-HIN, 01:01:16

Page 1

Date 07.02.2020 10:04

| parts-n° | order qty | description |
|----------|-----------|--------------------------------|
| 10275803 | 1 | CHAIN BKT. FOR TR300/500/TX650 |
| 10276003 | 1 | SAFETY CHAIN KIT TR300/500 |
| 14001103 | 1 | MOUNTING HUB F. SAFETY CHAIN |
| 14001203 | 1 | MNT WASHER F. SAFE CHAIN KIT |
| 16020303 | 1 | SAFETY CHAIN MNT.BRKT.30,400LB |
| 16023103 | 1 | SAFETY CHAIN MNT.BRKT.40,500LB |
| 16056003 | 1 | SAFETY CHAIN MNT.BRKT.16100 lb |
| 16056103 | 1 | SAFETY CHAIN MNT.BRKT.40500 lb |
| 28014703 | 1 | SAFETY CHAIN 30,400LBS CERT. |
| 28017703 | 1 | SAFETY CHAIN 40,500LBS CERT. |
| 29000403 | 1 | SAFETY CHAIN CERT 16100LB |
| 70012403 | 1 | *SAFETY CHAIN KIT 16100LB NAV |
| 70016803 | 1 | SAFETY CHAIN KIT CM1500 |
| 83311903 | 1 | SAFETY CHAIN KIT 575 NAV. |
| 83312003 | 1 | SAFETY CHAIN KIT 1100 NAV. |
| 83312103 | 1 | SAFETY CHAIN KIT CM+750 |
| 83312203 | 1 | SAFETY CHAIN KIT CM+1200 |





SIGHT GAUGE - REMOTE
K0780-HIN, 25:09:19

Page 1
Date 07.02.2020 10:04

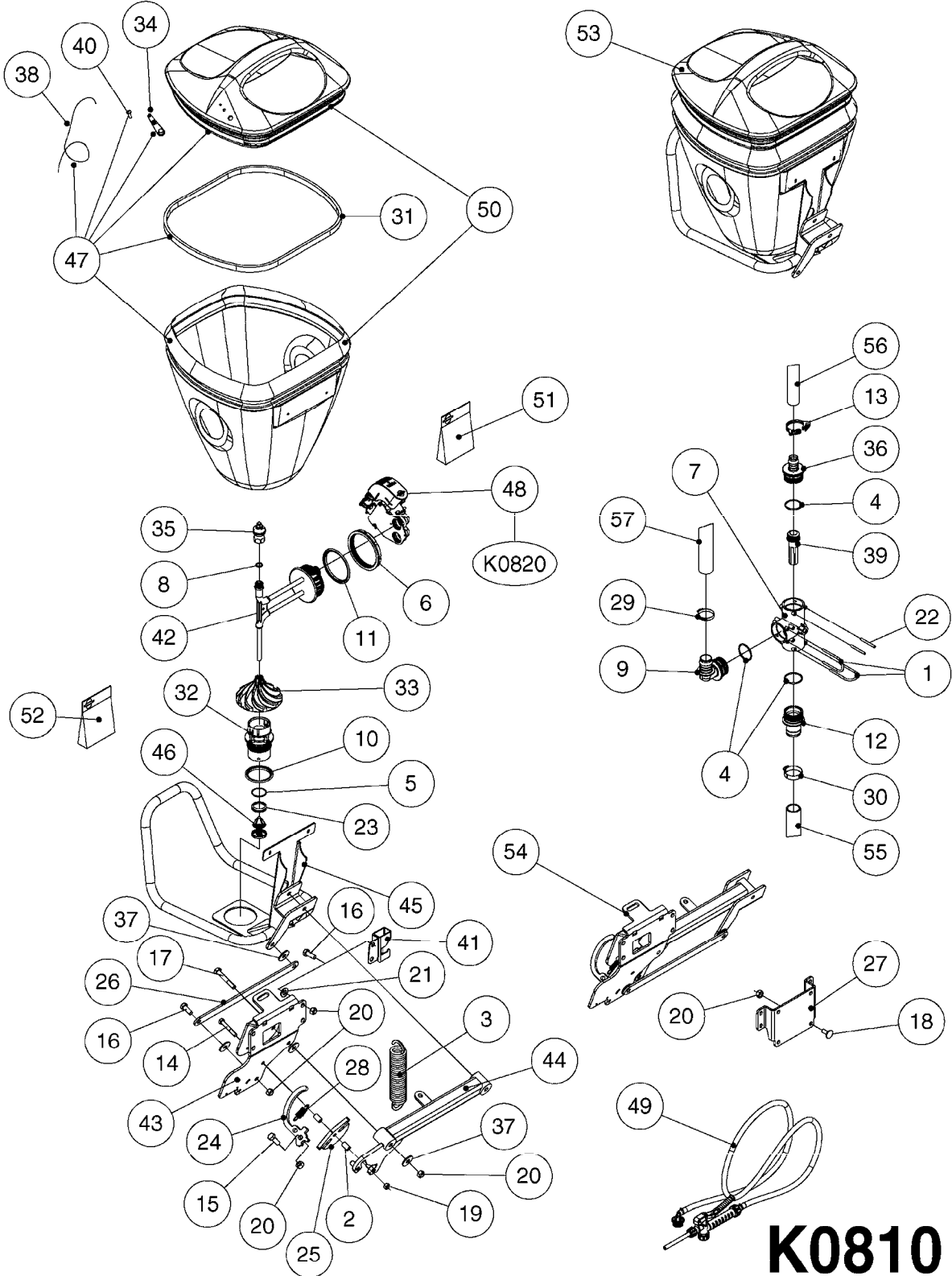
| Pos. | parts-n° | order qty | description |
|------|----------|-----------|---|
| 1 | 161950 | 1 | SIGHT GAUGE MT BKT CM+ 750/120 |
| 2 | 242262 | 1 | O-RING D31X3 VITON |
| 3 | 242309 | 1 | SEAL Ø22 ID Ø30 OD X 4 HIGH |
| 4 | 320095 | 1 | FITT.DK NUT 1" BSP |
| 5 | 320456 | 1 | FITT.DK BULKHEAD 1"BSP DOUBLE |
| 6 | 320471 | 1 | FITT.DK NUT 1" BSP JAMB |
| 7 | 332577 | 1 | O-RING D38/D30X4 F.1" PUR. |
| 8 | 333864 | 1 | GUIDE F. SAFETY VALVE SPRING |
| 9 | 334513 | 1 | MARKER HALF SIGHT GAUGE |
| 10 | 334515 | 1 | FLOATER FOR LIQUID LEVEL |
| 11 | 334523 | 1 | PIPE HOLDER Ø51.5 |
| 12 | 334849 | 1 | SIGHT GAUGE GUIDE F. SS TUBE |
| 13 | 334850 | 1 | GUIDE F. SIGHT GAUGE TUBE TOP |
| 14 | 341202 | 1 | TUBE F.SIGHT GAUGE L=40" |
| 14 | 341204 | 1 | SIGHT GAUGE TUBE L=59" |
| 14 | 341283 | 1 | TUBE F.SIGHT GAUGE L=72" |
| 14 | 341307 | 1 | TUBE F.SIGHT GAUGE L=75" |
| | | | NCM 4400 |
| 14 | 341339 | 1 | TUBE F.SIGHT GAUGE L=82" |
| | | | NCM 6600 |
| 14 | 341340 | 1 | TUBE F.SIGHT GAUGE L=94" (2382) |
| | | | NCM 9000 |
| 14 | 34000703 | 1 | TUBE F. DRY GAUGE L=1200 BENT |
| | | | RANGER 2000 & 2200 |
| 15 | 390487 | 1 | CORD NYLON/SIGHT GAUGE 4500mm |
| | | | OLDER MODELS ONLY |
| 16 | 410185 | 1 | BOLT HEX 8.8 DEL M6X16 |
| 16 | 410362 | 1 | BOLT HEX 8.8 SS M6X20 |
| 17 | 440663 | 1 | SCREW 3/8" NR4 STAINLESS |
| 18 | 440677 | 1 | SCREW F. PLASTIC 5X20 SS |
| 19 | 460261 | 1 | NUT HEX M6X1.00 LOCK DIN985 A2 SS |
| 20 | 480717 | 1 | PIN E 5X40 SST |
| 20 | 480730 | 1 | PIN ROLL 5X30 STAINLESS STEEL |
| 21 | 615197 | 1 | BKT.SIGHT GAUGE HC950 |
| 22 | 615308 | 1 | BRACKET FOR SIGHT TUBE |
| 23 | 615941 | 1 | SIGHT GAUGE MOUNT BRACKET CM |
| 24 | 615942 | 1 | GUIDE TUBE F.FLOATER CM1200G |
| 24 | 615943 | 1 | GUIDE TUBE F.FLOATER CM875G |
| 24 | 615944 | 1 | GUIDE TUBE F.FLOATER, L=1680 |
| | | | HC 950, NAV 575, NAV 3500, CM 750 |
| 24 | 615945 | 1 | GUIDE TUBE F.FLOATER, L=1610, NV3000 |
| | | | NAV 3000 & HC650 |
| 24 | 615947 | 1 | GUIDE TUBE F.FLOATER TR 500G |
| 24 | 615948 | 1 | GUIDE TUBE F.FLOATER MA 1000-1200-1500 L |
| 24 | 615949 | 1 | GUIDE TUBE F.FLOATER MEGA 230G |
| 24 | 615951 | 1 | GUIDE TUBE F.FLOATER NAV800G |
| 24 | 615952 | 1 | GUIDE TUBE F.FLOATER NAV1000G |
| 24 | 615954 | 1 | GUIDE TUBE F. FLOATER F.T.250G |
| 24 | 615955 | 1 | GUIDE TUBE F.FLOATER FT.350G |
| 24 | 615957 | 1 | GUIDE TUBE F.FLOATER NAV.550G |
| 24 | 61022100 | 1 | GUIDE TUBE F NP1100/CM1500 |
| 24 | 61022600 | 1 | GUIDE TUBE F.FLOATER RANGER |
| | | | RANGER 2000 & 2200 |
| 24 | 61036700 | 1 | GUIDE TUBE F.FLOATER, L=1850, NV4000/CM4400 |
| | | | NCM 4400 & NAV 4000 |
| 24 | 61038600 | 1 | GUIDE TUBE F.FLOAT NCM 9000 |
| 24 | 61038700 | 1 | GUIDE TUBE F.FLOAT NCM 6600 |
| 25 | 637998 | 1 | MANIFOLD BKT. NAVIGATOR |
| 26 | 741527 | 1 | SIGHT GAUGE KIT SS WIRE '98 |
| | | | SS CABLE & PARTS NEEDED |
| 27 | 978056 | 1 | DECAL S/G TUBE 500GAL-99 |



SIGHT GAUGE - REMOTE
K0780-HIN, 25:09:19

Page 2
Date 07.02.2020 10:04

| Pos. | parts-n° | order qty | description |
|------|----------|-----------|---|
| 27 | 978324 | 1 | DECAL SCALE HC650 |
| 27 | 978327 | 1 | DECAL SCALE 500 |
| 27 | 978329 | 1 | DECAL SCALE HC950 |
| 27 | 978387 | 1 | DECAL SCALE NAV 800 |
| 27 | 978388 | 1 | DECAL SCALE NAV 1000 |
| 27 | 978431 | 1 | DECAL SCALE MEGA 230 G |
| 27 | 978432 | 1 | DECAL SCALE MEGA 350 G |
| 27 | 978469 | 1 | DECAL SCALE F.TANK 250G |
| 27 | 978470 | 1 | DECAL SCALE F.TANK 350G |
| 27 | 978610 | 1 | DECAL SCALE CM750 US GAL |
| 27 | 978691 | 1 | DECAL SCALE CM875 |
| 27 | 978692 | 1 | DECAL SCALE CM1200 |
| 27 | 10637303 | 1 | DECAL SCALE F.270G MISTBLOWER |
| 27 | 10637403 | 1 | DECAL SCALE M/BLOWER 500 USGAL |
| 27 | 97602603 | 1 | DECAL S/G TUBE CM 1500 |
| 27 | 97604803 | 1 | DECAL SIGHT GAUGE 1100 NAV. |
| 27 | 97604903 | 1 | DECAL SIGHT GAUGE 575 NAV. |
| 27 | 97608903 | 1 | DECAL SIGHT GAUGE 550M NAV. |
| 27 | 97609703 | 1 | DECAL S/G RANGER 2200 (600 G) RANGER 2200 (600 GAL.) |
| 27 | 97609803 | 1 | DECAL SIGHT GAUGE CM6600 GAL. NCM 6600 (1850 GAL.) |
| 27 | 97610003 | 1 | DECAL SIGHT GAUGE NCM 9000 GAL NCM 9000 (2400 GAL.) |
| 27 | 97610203 | 1 | DECAL SIGHT GAUGE NAV 3000 GAL NAV 3000 (800 GAL.) |
| 27 | 97610403 | 1 | DECAL SIGHT GAUGE NAV 4000 GAL NAV 4000 (1200 GAL.) |
| 27 | 97611503 | 1 | DECAL SIGHT GAUGE NAV 3500 GAL NAV 3500 (1000 GAL.) |
| 27 | 97613303 | 1 | DECAL S/G RANGER 2000 (GALLON) |
| 27 | 97833300 | 1 | DECAL SIGHT GAUGE CM4400 GAL. NCM 4400 (1200 GAL.) |
| 28 | 978127 | 1 | DECAL SCALE NAV550M METRIC |
| 28 | 978128 | 1 | DECAL SCALE NAV800M METRIC |
| 28 | 978129 | 1 | DECAL SCALE NAV1000M METRIC |
| 28 | 978291 | 1 | DECAL SCALE HC950M METRIC |
| 28 | 978313 | 1 | DECAL SCALE HC650M METRIC |
| 28 | 978589 | 1 | DECAL SCALE CM 3200 LITERS |
| 28 | 978590 | 1 | DECAL SCALE CM 4200 LITERS |
| 28 | 978690 | 1 | DECAL SCALE CM750 METRIC |
| 28 | 89109004 | 1 | DECAL SIGHT GAUGE 9000 LITERS |
| 28 | 97607203 | 1 | DECAL S/G TUBE 4200L. NEW NAV |
| 28 | 97609903 | 1 | DECAL S/G RANGER 2200 LITERS |
| 28 | 97610503 | 1 | DECAL SIGHT GAUGE NAV 4000 LIT |
| 28 | 97611403 | 1 | DECAL SIGHT GAUGE NAV 3500 LIT |
| 28 | 97613403 | 1 | DECAL S/G RANGER 2000 (LITER) |
| 28 | 97808000 | 1 | DECAL SIGHT GAUGE CM4400 LITER |
| 28 | 97813700 | 1 | DECAL SIGHT GAUGE CM6600 LITER |
| 28 | 97820900 | 1 | DECAL SIGHT GAUGE NAV 3000 LTR |
| 29 | 16025500 | 1 | TANK SPACER SIGHT GAUGE |
| 30 | 16135600 | 1 | GUIDE FOR SIGHT GAUGE NAV/NCM |
| 31 | 28034100 | 1 | CABLE F.LIQUID LEVEL IND. SS L=5M |
| 32 | 61005703 | 1 | BRACKET WELD SIGHT GAUGE |



K0810



TURBOFILLER
K0810-HIN, 25:04:19

Page 1
Date 07.02.2020 10:05

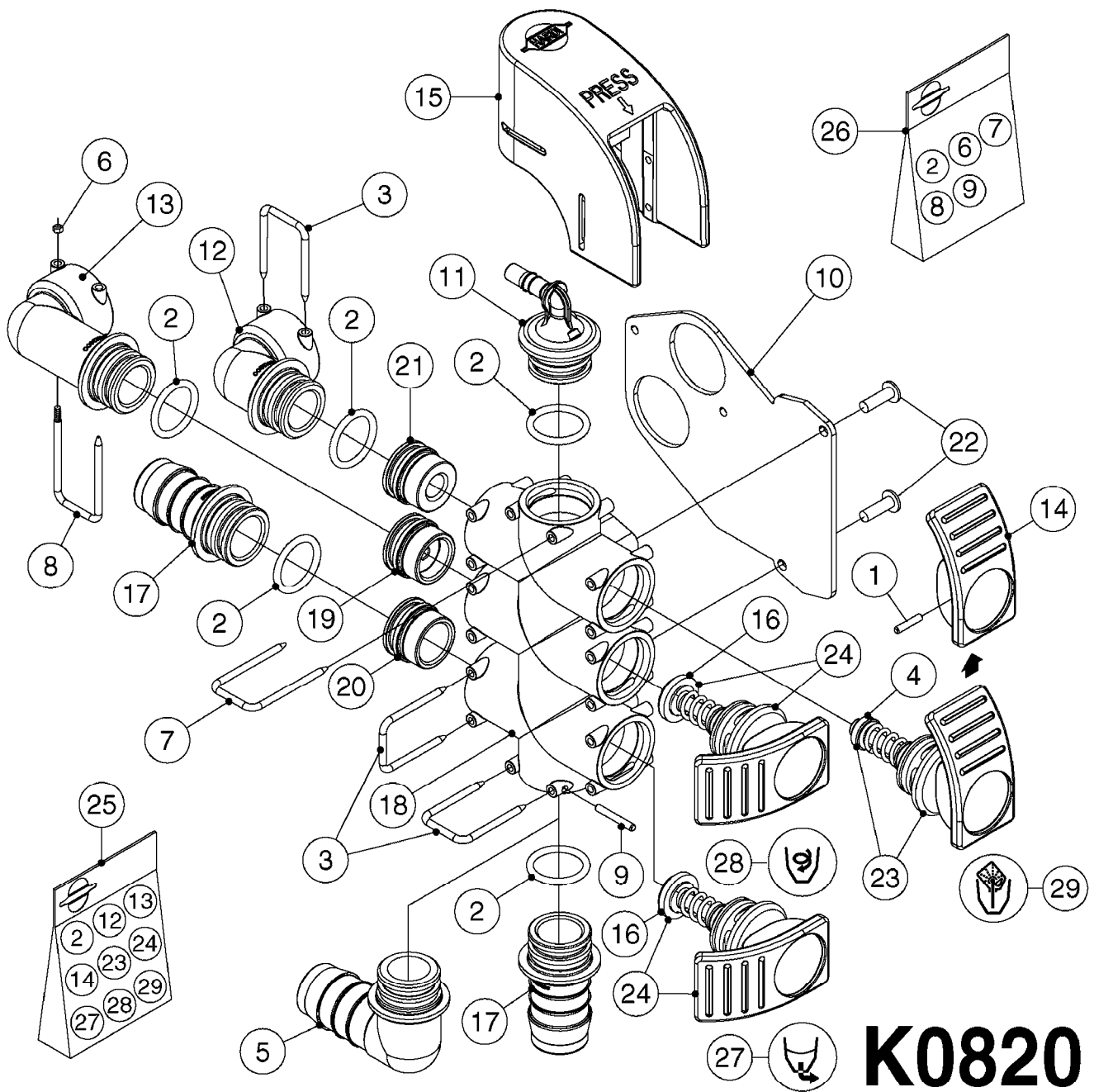
| Pos. | parts-n° | order qty | description |
|------|----------|-----------|---|
| 1 | 145996 | 1 | FITT.DK S-67 FORK |
| 2 | 146312 | 1 | BUSHING D13.0/D10.0X22MM |
| 3 | 220929 | 1 | DRAW SPRING D45.0/7.0-240.0 |
| 4 | 242353 | 1 | O-RING 3 X 44.2 VITON |
| 5 | 242504 | 1 | O-RING D35x2 NITRIL |
| 6 | 322109 | 1 | FITT.DK S-93 BULKHEAD NUT |
| 7 | 322224 | 1 | FITT.DK S-67 TEE |
| 8 | 330212 | 1 | O-RING D19/D14X2.4 F.1/2"NUT |
| 9 | 334244 | 1 | FITT.DK S-67 ELB.1-1/4" |
| 10 | 334261 | 1 | GASKET F. S-67 BULKHEAD |
| 11 | 334262 | 1 | GASKET F.S-93 BULKHEAD |
| 12 | 334444 | 1 | FITT.DK S-67 STR.1-1/2" PVC |
| 13 | 334680 | 1 | CLAMP HOSE PLASTIC 1" |
| 14 | 421222 | 1 | BOLT HEX 8.8 DEL M10X75 FT |
| 15 | 430286 | 1 | BOLT HEX 8.8 DEL M12X30 FT |
| 16 | 430323 | 1 | BOLT HEX 8.8 DEL M12X60 |
| 17 | 430846 | 1 | BOLT HEX 8.8 DEL M12X80 |
| 18 | 451070 | 1 | CARRIAGE BOLT M12X30 |
| 19 | 460423 | 1 | NUT HEX M10X1.50 LOCK DIN985A2 SS |
| 20 | 460703 | 1 | NUT HEX M12X1.75 LOCK DIN985A2 SS |
| 21 | 471125 | 1 | WASHER M6U 6.4X14X1.2,A2 SS |
| 22 | 480779 | 1 | PIN D5X55 SPLIT |
| 23 | 14103100 | 1 | SEAT F.CHECK VALVE D40.8 2010 |
| 24 | 16205100 | 1 | LOCK HANDLE 132.8 X 125.8 |
| 25 | 16206900 | 1 | PLATE 117.8 X 74.1 |
| 26 | 16221900 | 1 | GUIDE BAR F. CHEMFILL NAV |
| 27 | 16290100 | 1 | TURBOFILL BRACKET FOR RANGER |
| 28 | 22096300 | 1 | TENSION SPRING D15/1.5 L=60.75 |
| 29 | 28030003 | 1 | CLAMP HOSE GEAR P1" 6716 |
| 30 | 28030103 | 1 | CLAMP HOSE GEAR P5/4-S1.5"6724 |
| 31 | 28084800 | 1 | GASKET Ø415 W20 H10 NEOPRENE SEAL FOR NAVIGATOR HOPPER 9.25 GAL (35 L) |
| 31 | 28094300 | 1 | SEALING RING Ø350 B=23 H=10 SEAL FOR RANGER HOPPER 6.5 GAL (25 L) |
| 32 | 32237100 | 1 | LEAD IN S67 CHECK VALVE |
| 33 | 33512400 | 1 | FLUID ROTATOR D 128 |
| 34 | 33514700 | 1 | AIR VALVE F. TURBO FILL |
| 35 | 37219000 | 1 | CLEANING NOZZLE, CHEMICAL FILLER |
| 36 | 39120900 | 1 | FITT.DK S67 STR.1" 1RG INSIDE |
| 37 | 39122500 | 1 | DISC D36, HOLE D12.5 T=3 |
| 38 | 39124200 | 1 | POLY STRING Ø 1.5 X 800 |
| 39 | 39131300 | 1 | EJECTOR NOZZLE Ø8.0 TURBOFILL |
| 39 | 39131400 | 1 | EJECTOR NOZZLE Ø10.2 TURBOFILL |
| 39 | 39131500 | 1 | EJECTOR NOZZLE Ø12.2 TURBOFILL |
| 40 | 44074500 | 1 | PT SCREW 40X10 WN5451/TORX 20IP SS |
| 41 | 61020700 | 1 | BRACKET F.WAND NAV'07 PAINTED |
| 42 | 63062200 | 1 | RINSETUBE D12 SS TURBOFILL |
| 43 | 63067400 | 1 | CONSOLE F. CHEMFILL NAV |
| 44 | 63067500 | 1 | BRACKET F. CHEMFILL NAV |
| 45 | 63067600 | 1 | MAIN SUPPORT F.TURBOFILL 35L RED |
| 45 | 63094300 | 1 | MAIN SUPPORT F.TURBOFILL 25L RED |
| 46 | 72089900 | 1 | CHECK VALVE S67 SUBASMBLY.2001 |
| 47 | 72479600 | 1 | TURBOFILL TANK+LID+ETC. COMPL NAVIGATOR HOPPER 9.25 GAL (35 L) |
| 47 | 72950100 | 1 | CHEMFILLER HOPPER W/LID 25L RANGER HOPPER 6.5 GAL (25 L) |
| 48 | 72482000 | 1 | MANIFOLD S25 CHEMFILL |
| 49 | 72526700 | 1 | PLAST.TRIGGER+HOSE+TUBE |
| 50 | 72530500 | 1 | TURBOFILL TANK+LID 35L |
| 50 | 72593600 | 1 | TURBOFILL TANK+LID 25L |
| 51 | 72530700 | 1 | REP. KIT F. MANIFOLD S25 TURB. |



TURBOFILLER
K0810-HIN, 25:04:19

Page 2
Date 07.02.2020 10:05

| Pos. | parts-n° | order qty | description |
|------|----------|-----------|----------------------------------|
| 52 | 72530800 | 1 | KIT LOCKING DEVICE F.TURBOFILL |
| 53 | 72539900 | 1 | TURBOFILL HOPPER W/BRKT 35L |
| | | | NAVIGATOR HOPPER 9.25 GAL (35 L) |
| 53 | 72738800 | 1 | TURBOFILL HOPPER W/BRKT 25L |
| | | | RANGER HOPPER 6.5 GAL (25 L) |
| 54 | 72540100 | 1 | TURBOFILL MOUNTING BRACKET |
| 55 | 92702603 | 1 | HOSE PVC SUCT GRAY 1-1/2" |
| 56 | 92712403 | 1 | HOSE R X1" X300PSI WP X0012" |
| 57 | 92738900 | 1 | HOSE R X PVC X 1-1/4" 0012" |



K0820

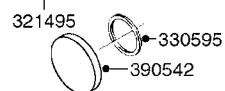
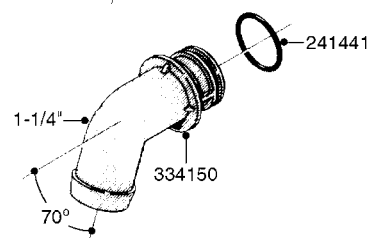
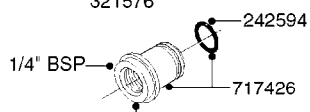
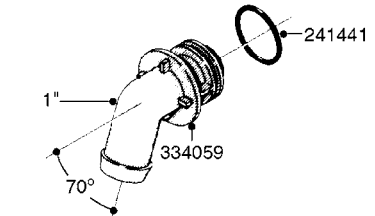
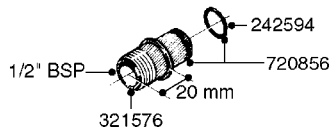
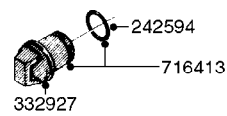
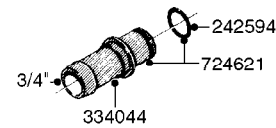
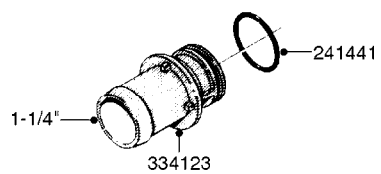
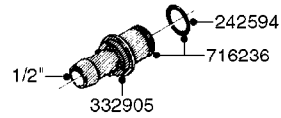
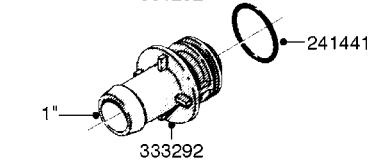
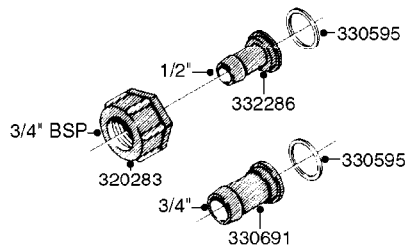
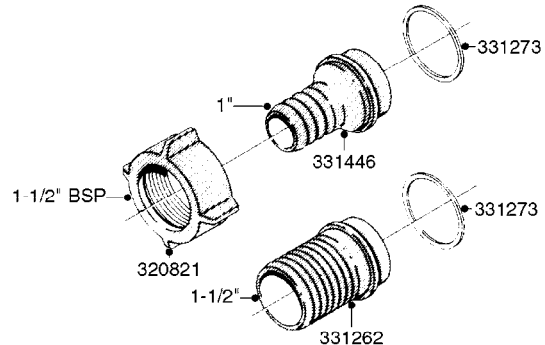
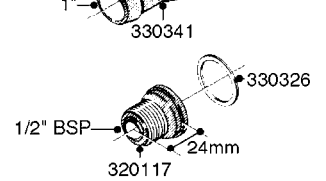
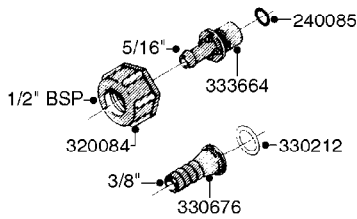
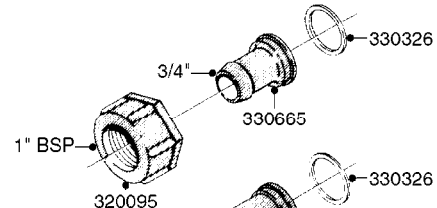
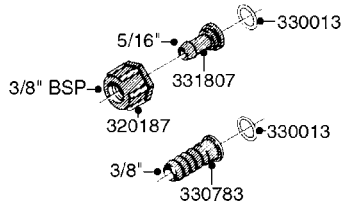


TURBOFILLER S25 MANIFOLD
K0820-HIN, 04:12:19

Page 1

Date 07.02.2020 10:05

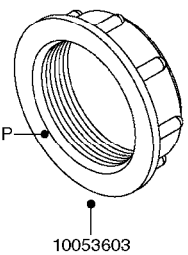
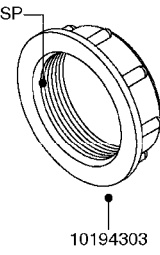
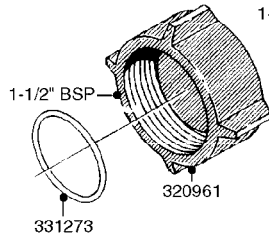
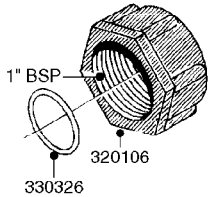
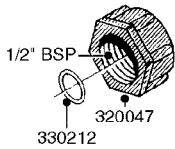
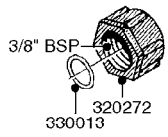
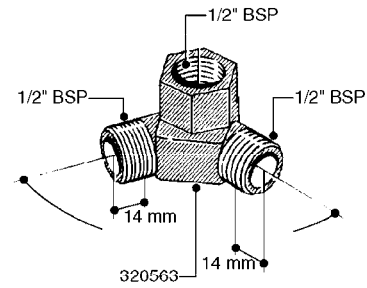
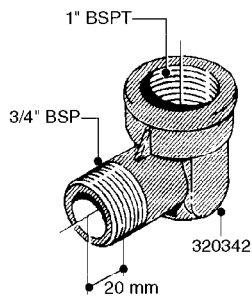
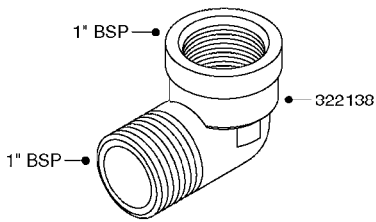
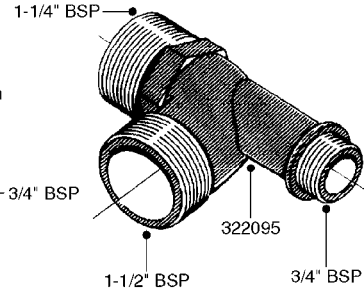
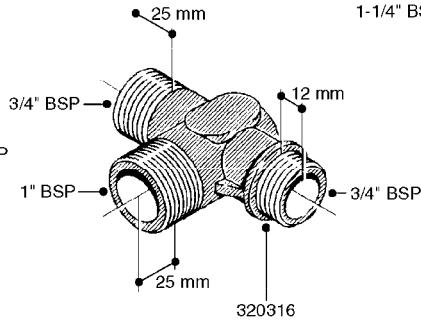
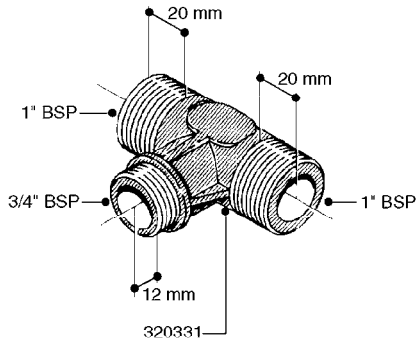
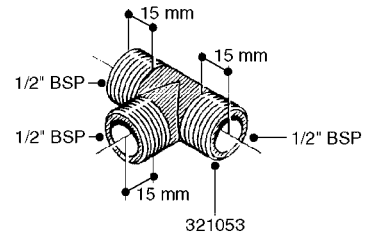
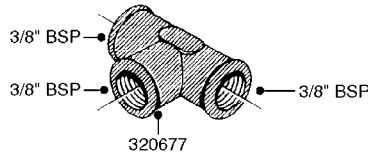
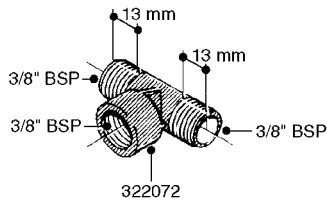
| Pos. | parts-n° | order qty | description |
|------|----------|-----------|--------------------------------|
| 1 | 146643 | 1 | PIN F.CYLINDER D3 X 15 |
| 2 | 240951 | 1 | O-RING D21.2X3 NITRIL |
| 3 | 270211 | 1 | FITT.DK S25 FORK L=37.5 |
| 4 | 330304 | 1 | VALVE CONE D14 |
| 5 | 333561 | 1 | FITT.DK ELB.1" EC RETURN |
| 6 | 461219 | 1 | LOCKNUT M3 DIN 985 SS |
| 7 | 14071400 | 1 | FITT.DK S25 FORK L=45 |
| 8 | 14074100 | 1 | FITT.DK S25 FORK L=45 + M3 |
| 9 | 14074200 | 1 | PIN FOR S25 FITTING |
| 10 | 16214100 | 1 | PLATE MANIFOLD CHEMFILL |
| 11 | 33512500 | 1 | FITT.DK S-25 ELB.90° 5/16"HB |
| 12 | 33512800 | 1 | FITT.DK S-25 ELB.90° S-25 L38 |
| 13 | 33512900 | 1 | FITT.DK S-25 ELB.90° S-25 L60 |
| 14 | 33513000 | 1 | HANDLE /S25 HOUSING TURBOFILL |
| 15 | 33513100 | 1 | COVER VALVE TURBOFILL S25 |
| 16 | 33513400 | 1 | VALVE CONE z21 |
| 17 | 33513500 | 1 | FITT.DK S-25 STR. 1" |
| 18 | 39122600 | 1 | FITT.DK S-25 VALVE MANIFOLD |
| 19 | 39129800 | 1 | VALVE SEAT S25 Ø20/Ø18/Ø5 |
| 20 | 39129900 | 1 | VALVE SEAT S25 Ø20/Ø18 |
| 21 | 39130000 | 1 | VALVE SEAT S25 Ø13.5/Ø11 |
| 22 | 44076200 | 1 | SCREW WN5451 5X16 SS TORX |
| 23 | 72482100 | 1 | VALVE ASSY. S25 Ø14 TURBOFILL |
| 24 | 72482200 | 1 | VALVE ASSY. S25 Ø21 TURBOFILL |
| 25 | 72530700 | 1 | REP. KIT F. MANIFOLD S25 TURB. |
| 26 | 72924500 | 1 | REP.KIT F.MANIFOLD S25 TURBO |
| 27 | 97821400 | 1 | DECAL CHEMFILL SUCTION 28Ø |
| 28 | 97821500 | 1 | DECAL CHEMFILL AGITATE 28Ø |
| 29 | 97821600 | 1 | DECAL CHEMFILL CLEAN 28Ø |



L0010



| parts-n° | order qty | description |
|----------|-----------|---------------------------------|
| 240085 | 1 | O-RING D13,1/8,3X02,4 NITRIL |
| 241441 | 1 | O-RING D29.3X3 |
| 242594 | 1 | O-RING D14 X 1.78 SCH.70-EPDM |
| 320084 | 1 | FITT.DK NUT 1/2" BSP |
| 320095 | 1 | FITT.DK NUT 1" BSP |
| 320117 | 1 | FITT.DK CONN.1/2"BSP F. 1" CAP |
| 320187 | 1 | FITT.DK CAP 3/8" BSP BLACK |
| 320283 | 1 | FITT.DK NUT 3/4"BSP |
| 320821 | 1 | FITT.DK NUT 1-1/2" BSP |
| 321495 | 1 | FITT.DK REDUC 1/4'BSP F.3/4'NT |
| 321576 | 1 | FITT.DK CONN 1/2"BSP F.3/4"NUT |
| 330013 | 1 | O-RING 2.5 X 10 PUR |
| 330212 | 1 | O-RING D19/D14X2.4 F.1/2"NUT |
| 330326 | 1 | O-RING D30/D24X2 F.1"NUT |
| 330341 | 1 | FITT.DK HB 1" F. 1" NUT |
| 330595 | 1 | O-RING D24.6/D20X2.1 -3/4" |
| 330665 | 1 | FITT.DK HB 3/4"F.1" NUT |
| 330676 | 1 | FITT.DK HB 3/8" F. 1/2" NUT |
| 330687 | 1 | FITT.DK HB 1/2" F. 1/2" NUT |
| 330691 | 1 | FITT.DK HB 3/4'F.3/4' NUT |
| 330783 | 1 | FITT.DK HB 3/8"F.3/8" NUT |
| 331262 | 1 | FITT.DK HB 1-1/2" F. 1-1/2"NUT |
| 331273 | 1 | O-RING D44/D38X2 F.1-1/2" |
| 331446 | 1 | FITT.DK HB 1" F.1-1/2" NUT |
| 331807 | 1 | FITT.DK HB 5/16" F.3/8" NUT |
| 332286 | 1 | FITT.DK HB 1/2" F. 3/4" NUT |
| 332905 | 1 | FITT.DK HB 1/2" F. 3/4" CAP |
| 332927 | 1 | FITT.DK PLUG F. NOZZLE TUBE |
| 333292 | 1 | FITT.DK HB 1"O'RING F.1-1/2" |
| 333664 | 1 | FITT.DK HB 5/16' F. 1/2' NUT |
| 334044 | 1 | FITT.DK HB 3/4' F. 3/4' CAP |
| 334059 | 1 | FITT.DK EL 1" 110 DEG.F.1-1/2" |
| 334123 | 1 | FITT.DK HB 1-1/4"O-RNG F.1-1/2" |
| 334150 | 1 | FITT.DK HB 1-1/4" 110 F.1-1/2" |
| 390542 | 1 | PLUG WASHER FOR 3/4'CAP NUT |
| 716236 | 1 | FITT.DK HB 1/2" ASSY. F. 3/4" |
| 716413 | 1 | FITT.DK PLUG ASSY. F.NOZ TUBE |
| 717426 | 1 | FITT.DK REDUC 1/4"BSP F.3/4"N |
| 720856 | 1 | FITT.DK 1/2'BSP ASSY.F.3/4'NUT |
| 724621 | 1 | FITT.DK HB 3/4"ASSY F.3/4" NUT |



L0020



FITTINGS-T-PIECES, CAPS & ELBOWS
L0020-HIN, 01:01:16

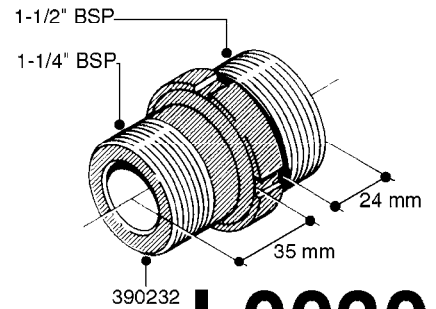
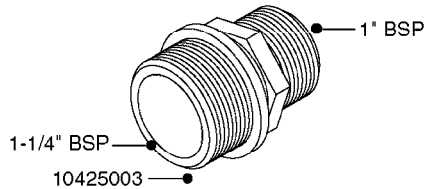
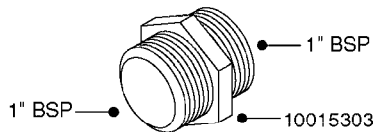
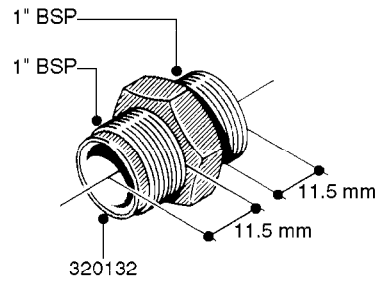
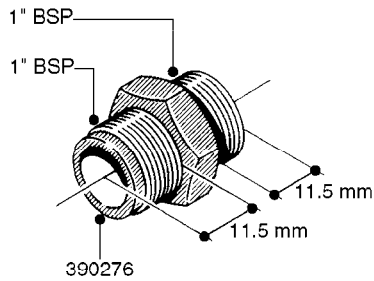
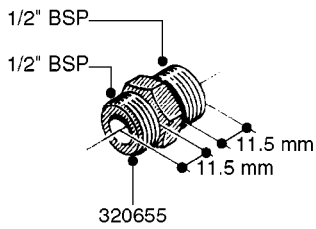
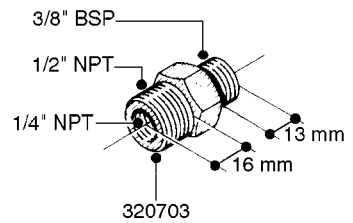
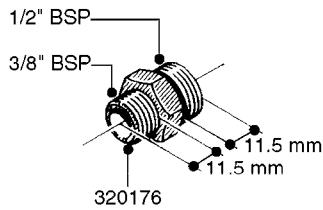
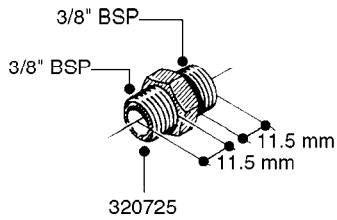
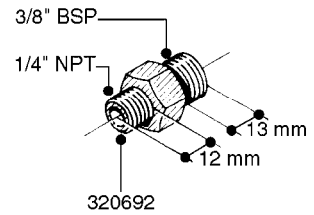
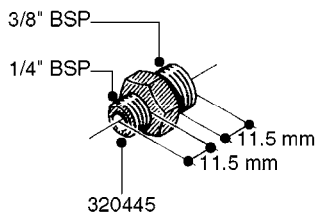
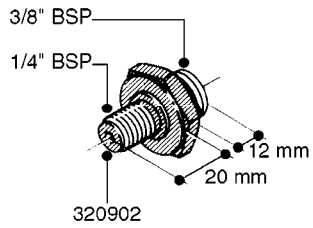
Page 1
Date 07.02.2020 10:05

| parts-n° | order qty | description |
|----------|-----------|------------------------------------|
| 10053603 | 1 | FITT. CAPNUT 2"BSP 5601 |
| 10194303 | 1 | CAP BLANK 1 1/2 MCPHEE 210060 |
| 320047 | 1 | FITT.DK CAPNUT 1/2" BSP |
| 320106 | 1 | FITT.DK CAPNUT 1" BSP |
| 320272 | 1 | FITT.DK CAPNUT 3/8" BSP |
| 320316 | 1 | FITT.DK TEE 3/4" X3/4" X1"BSP |
| 320331 | 1 | FITT.DK TEE 1" - 1" - 3/4" BSP |
| 320342 | 1 | FITT.DK EL 3/4"M X 1"F BSP |
| 320563 | 1 | FITT.DK 3 WAY 1/2" 110 DEG. |
| 320677 | 1 | NO LONGER AVAILABLE |
| 320961 | 1 | FITT.DK CAPNUT 1-1/2" BSP |
| 321053 | 1 | FITT.DK TEE 1/2 X1/2 X1/2" BSP |
| 322072 | 1 | FITT.DK TEE 3/8'X3/8'X3/8' BSP |
| 322095 | 1 | FITT.DK TEE 1-1/2 X1-1/4 X3/4" BSP |
| 322138 | 1 | FITT.DK ELB 1"M X 1"F BSP |
| 330013 | 1 | O-RING 2.5 X 10 PUR |
| 330212 | 1 | O-RING D19/D14X2.4 F.1/2"NUT |
| 330326 | 1 | O-RING D30/D24X2 F.1"NUT |
| 331273 | 1 | O-RING D44/D38X2 F.1-1/2" |



FITTINGS - HEXAGON NIPPLES
L0030-HIN, 01:01:16

Page 0
Date 07.02.2020 10:05



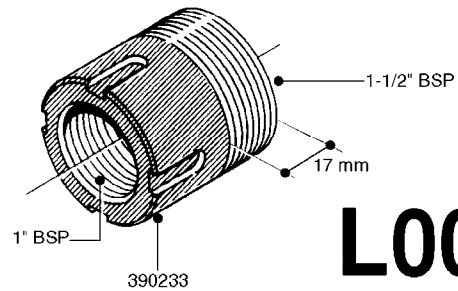
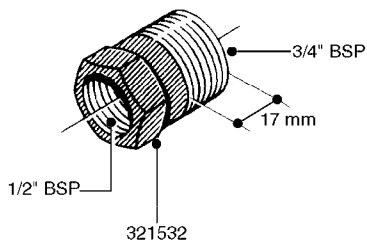
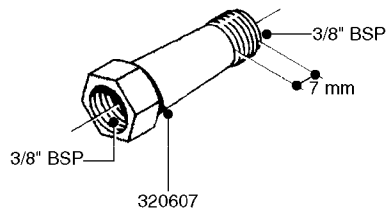
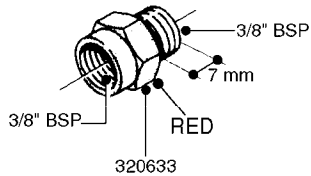
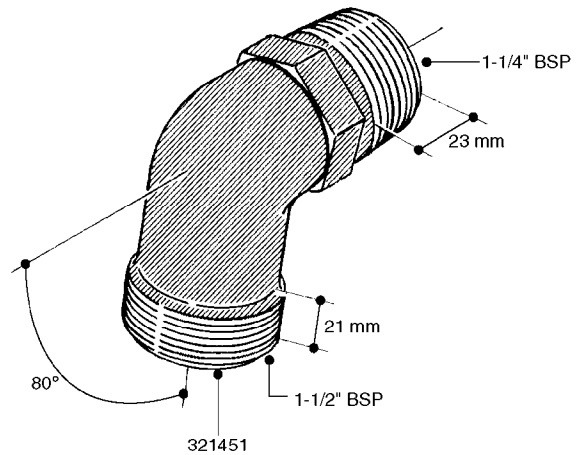
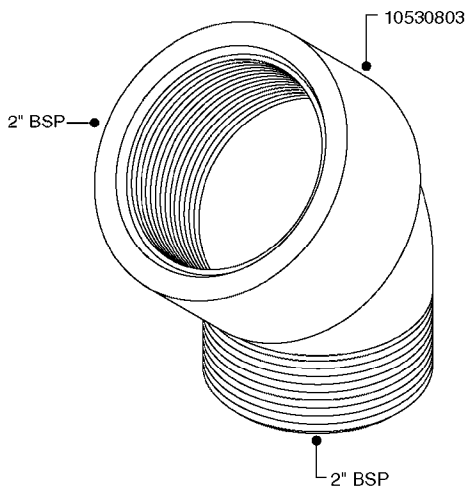
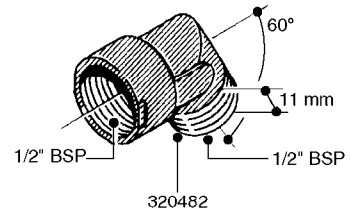
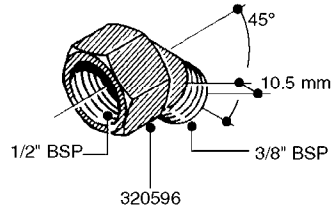
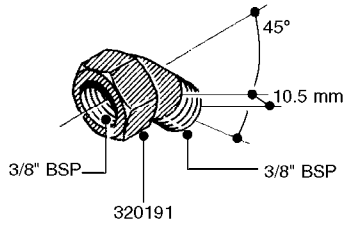
L0030



FITTINGS - HEXAGON NIPPLES
L0030-HIN, 01:01:16

Page 1
Date 07.02.2020 10:05

| parts-n° | order qty | description |
|----------|-----------|--------------------------------|
| 10015303 | 1 | FITT.PO.HN 1.00X1.00 M1000 |
| 10425003 | 1 | FITT.PO.HN 1.25X1.00 MCPHEE |
| 320132 | 1 | FITT.DK HN 1" BSP |
| 320176 | 1 | FITT.DK HN 3/8"X1/2" BSP |
| 320445 | 1 | FITT.DK HN 1/4"X3/8" BSP |
| 320655 | 1 | FITT.DK HN 1/2"-1/2" BSP |
| 320692 | 1 | FITT.DK HN 3/8'BSPX1/4'NPT |
| 320703 | 1 | FITT.DK HN 3/8BSP X1/2 &1/4NPT |
| 320725 | 1 | FITT.DK NIPPLE 3/8"-3/8" BSP |
| 320902 | 1 | FITT.DK HN 3/8'X 1/4' BSP |
| 390232 | 1 | FITT.DK HN 1-1/2' X 1-1/4' BSP |
| 390276 | 1 | FITT.DK HN 1'BSP |



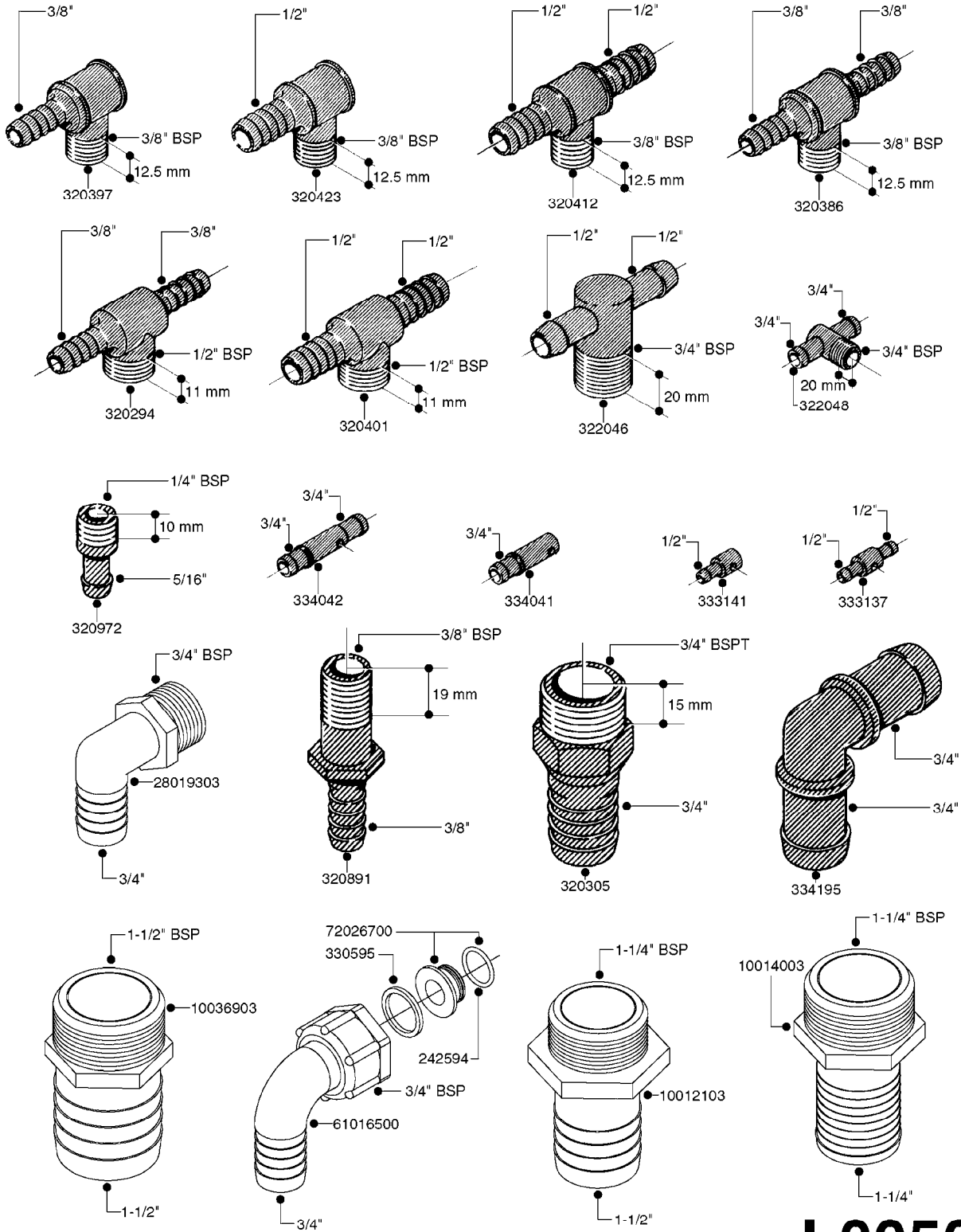
L0040



FITTINGS - NIPPLES & ELBOWS
L0040-HIN, 01:01:16

Page 1
Date 07.02.2020 10:05

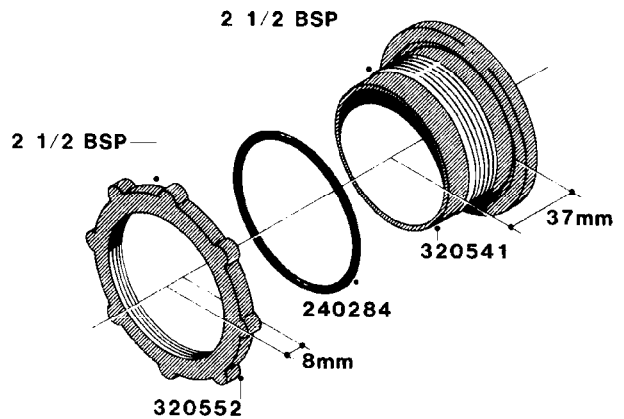
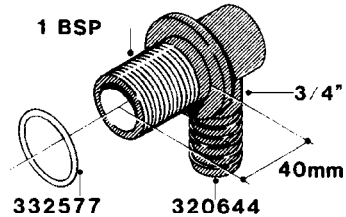
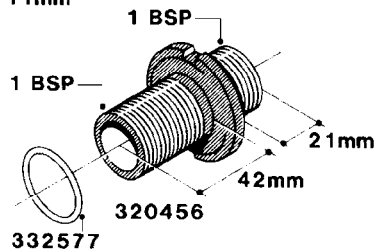
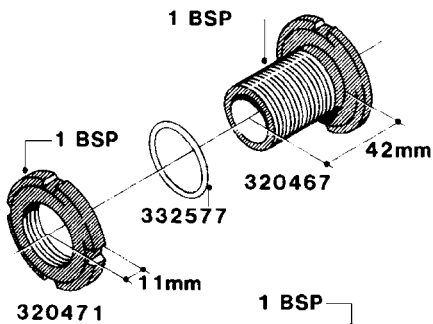
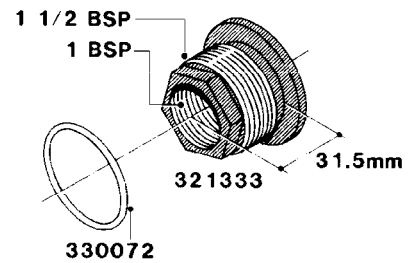
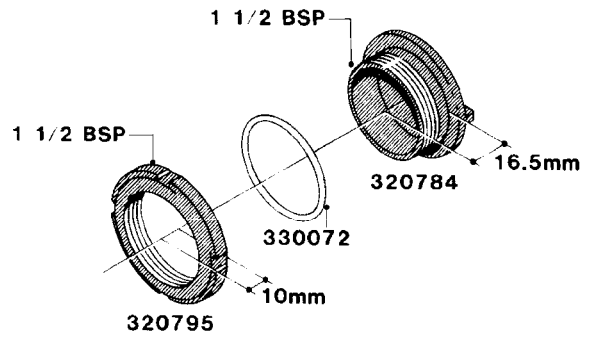
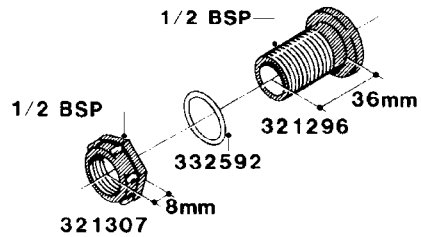
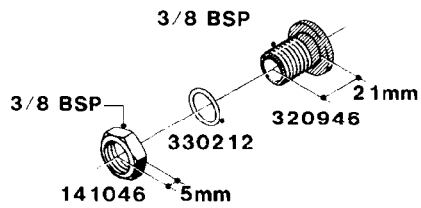
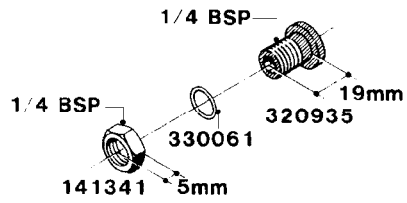
| parts-n° | order qty | description |
|----------|-----------|--------------------------------|
| 10530803 | 1 | FITT.PO.SE 2.00X2.00 45 DEG. |
| 320191 | 1 | FITT.DK ELB 3/8' BSP 45 DEGREE |
| 320482 | 1 | FITT.DK ELB. 1/2" BSP 60 DEG. |
| 320596 | 1 | FITT.DK ELB 3/8'-1/2'BSP 45DEG |
| 320607 | 1 | FITT.DK HN 3/8M X 3/8F BSP LNG |
| 320633 | 1 | FITT.DK HN 3/8"M X 3/8"F BSP |
| 321451 | 1 | FITT.DK ELB.1-1/2 X1-1/4 80DEG |
| 321532 | 1 | FITT.DK REDUC 3/4' X 1/2' BSP |
| 390233 | 1 | FITT.DK REDUC 1-1/2" X 1" BSP |



L0050



| parts-n° | order qty | description |
|----------|-----------|--------------------------------|
| 242594 | 1 | O-RING D14 X 1.78 SCH.70-EPDM |
| 320294 | 1 | FITT.DK TEE 3/8X3/8HB X1/2"BSP |
| 320305 | 1 | FITT.DK HB 3/4'- 3/4' BSP |
| 320386 | 1 | FITT.DK TEE 3/8X3/8HB X3/8"BSP |
| 320397 | 1 | FITT.DK ELB 3/8"HB X 3/8" BSP |
| 320401 | 1 | FITT.DK TEE 1/2X1/2HB X1/2"BSP |
| 320412 | 1 | FITT.DK TEE 1/2X1/2HB X3/8'BSP |
| 320423 | 1 | FITT.DK ELB 1/2'HB X 3/8' BSP |
| 320891 | 1 | FITT.DK HB 3/8'- 3/8' BSP |
| 320972 | 1 | FITT.DK HB 5/16'- 1/4' BSP |
| 322046 | 1 | FITT.DK TEE 1/2X1/2HB X3/4'BSP |
| 322048 | 1 | FITT.DK TEE 3/4X3/4HB X3/4'BSP |
| 330595 | 1 | O-RING D24.6/D20X2.1 -3/4" |
| 333137 | 1 | FITT.DK CONN.1/2" F.NOZZ. DOUB |
| 333141 | 1 | FITT.DK CONN.1/2" F.NOZZ.SING |
| 334041 | 1 | FITT.DK CONN.3/4' F.NOZZ. SING |
| 334042 | 1 | FITT.DK CONN.3/4' F.NOZZ. DOUB |
| 334195 | 1 | FITT.DK ELB. 3/4"HB X 3/4"HB |
| 10012103 | 1 | FITT.PO.HB 1.25X1.50 IMB1012 |
| 10014003 | 1 | FITT.PO.HB 1.25X1.25 IMB1010 |
| 10036903 | 1 | FITT.PO.HB 1.50X1.50 IMB1212 |
| 28019303 | 1 | FITTING HB ELB 3/4NPT-3/4HOSE |
| 61016500 | 1 | HOSE TAIL 3/4" 90°+RG CAP 3/4" |
| 72026700 | 1 | NOZZLE TUBE ADAPTER W/O-RING |



L0060

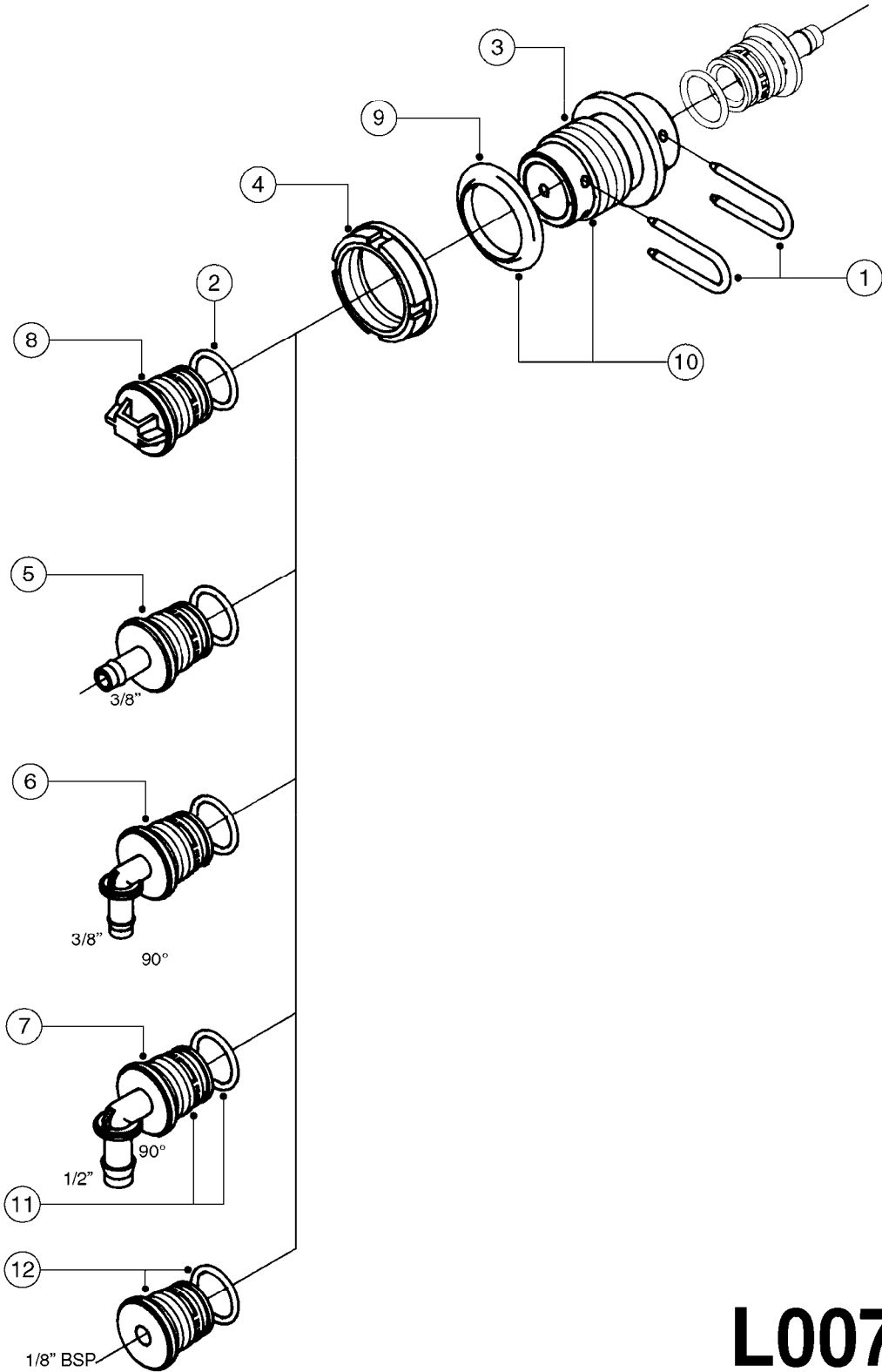


FITTINGS - BULKHEAD
L0060-HIN, 01:01:16

Page 1

Date 07.02.2020 10:05

| parts-n° | order qty | description |
|----------|-----------|--------------------------------|
| 141046 | 1 | NUT 3/8" BSP |
| 141341 | 1 | NUT 1/4' BSP |
| 240284 | 1 | O-RING D82,5/75 X 3,5 |
| 320456 | 1 | FITT.DK BULKHEAD 1"BSP DOUBLE |
| 320467 | 1 | FITT.DK BULKHEAD 1"BSP SINGLE |
| 320471 | 1 | FITT.DK NUT 1" BSP JAMB |
| 320541 | 1 | FITT.DK BULKHEAD 2-1/2'BSP SIN |
| 320552 | 1 | FITT.DK NUT 2-1/2' BSP JAMB |
| 320644 | 1 | FITT.DK ELB.3/4"HB X 1" BSP |
| 320784 | 1 | FITT.DK CAP 1-1/2" BSP |
| 320795 | 1 | FITT.DK NUT 1-1/2" BSP JAMB |
| 320935 | 1 | FITT.DK BULKHEAD 1/4' BSP SING |
| 320946 | 1 | FITT.DK BULKHEAD 3/8' BSP SING |
| 321296 | 1 | FITT.DK BULKHEAD 1/2" BSP SING |
| 321307 | 1 | FITT.DK NUT 1/2" BSP JAMB |
| 321333 | 1 | FITT.DK BULK 1-1/2" X 1"F BSP |
| 330061 | 1 | O-RING D16/D11X2,5 |
| 330072 | 1 | O-RING D53.5/D45.5X4 |
| 330212 | 1 | O-RING D19/D14X2.4 F.1/2"NUT |
| 332577 | 1 | O-RING D38/D30X4 F.1" PUR. |
| 332592 | 1 | O-RING D26/D20X3 |



L0070

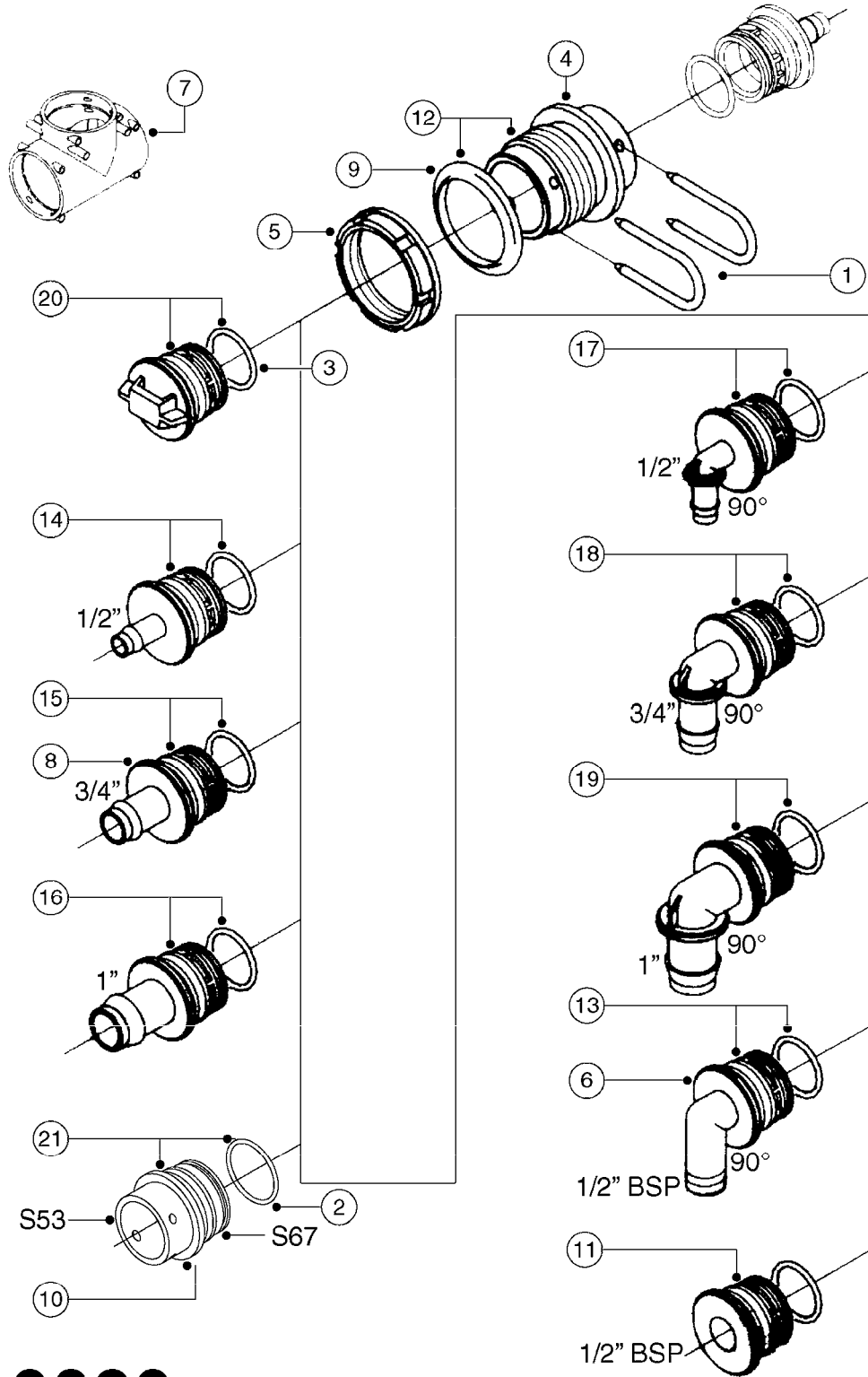


FITTINGS - S-40
L0070-HIN, 13:09:17

Page 1

Date 07.02.2020 10:05

| Pos. | parts-n° | order qty | description |
|------|----------|-----------|--|
| 1 | 145994 | 1 | FITT.DK S-40 FORK |
| 2 | 242108 | 1 | O-RING 3 X 19,2 70SH NITRIL NITRIL (BLACK) |
| 2 | 242355 | 1 | O-RING D19.2X3.0 VITON F.S-40 VITON (BROWN) |
| 3 | 322102 | 1 | FITT.DK S-40 BULKHEAD |
| 4 | 322106 | 1 | FITT.DK S-40 BULKHEAD NUT |
| 5 | 334225 | 1 | FITT.DK S-40 STR.3/8" |
| 6 | 334237 | 1 | FITT.DK S-40 ELB.3/8" |
| 7 | 334238 | 1 | FITT.DK S-40 ELB.1/2" |
| 8 | 334248 | 1 | FITT.DK S-40 PLUG |
| 9 | 334259 | 1 | GASKET F. S-40 BULKHEAD |
| 10 | 726462 | 1 | FITT. S40 BULKHEAD W.GASKET |
| 11 | 726567 | 1 | FITT.DK S-40 ELB.1/2" W.O-RING |
| 12 | 726693 | 1 | FITT.DK S-40 PLUG 1/8BSP ORING |



L0080

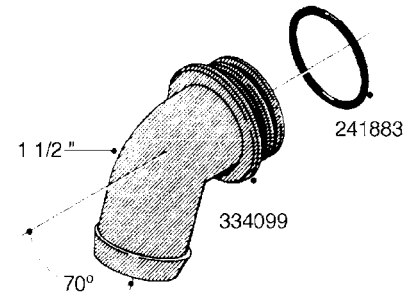
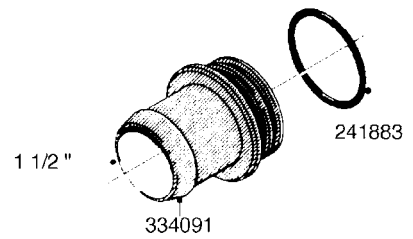
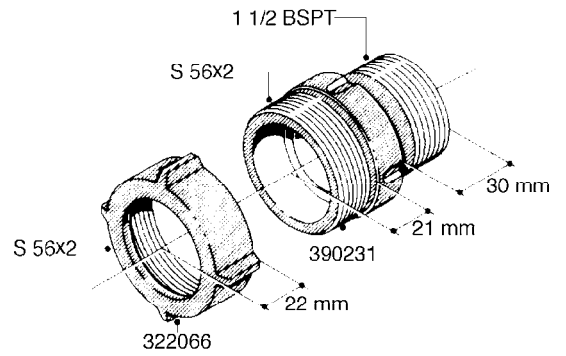
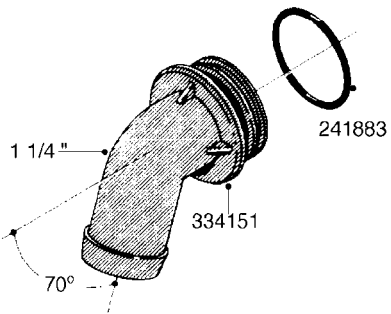
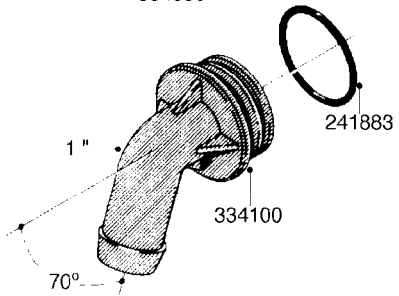
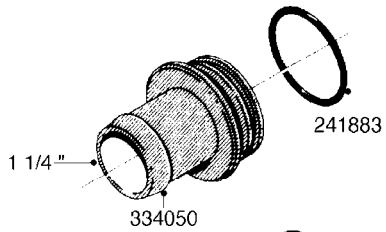
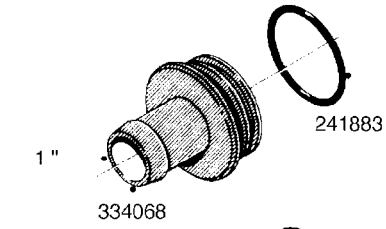
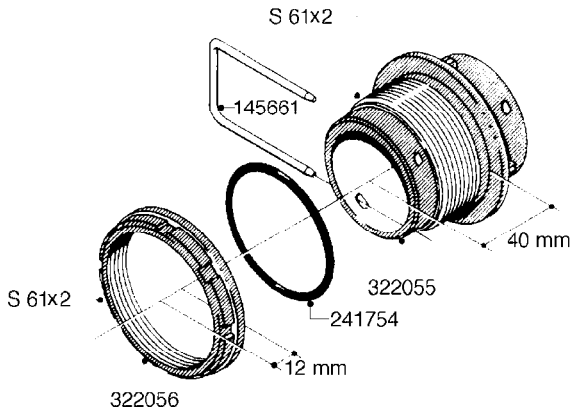


FITTINGS - S-53
L0080-HIN, 12:09:17

Page 1

Date 07.02.2020 10:05

| Pos. | parts-n° | order qty | description |
|------|----------|-----------|---|
| 1 | 145995 | 1 | FITT.DK S-53 FORK |
| 2 | 241973 | 1 | O-RING Ø3 X 44.2 70 SHORES NITRIL NITRIL (BLACK) |
| 2 | 242353 | 1 | O-RING 3 X 44.2 VITON VITON (BROWN) |
| 3 | 242109 | 1 | O-RING D32.2x3.0 NITRIL (BLACK) |
| 3 | 242354 | 1 | O-RING D32.2X3.0 VITON VITON (BROWN) |
| 4 | 322103 | 1 | FITT.DK S-53 BULKHEAD |
| 5 | 322107 | 1 | FITT.DK S-53 BULKHEAD NUT |
| 6 | 322110 | 1 | FITT.DK S-53 ELB. 1/2" BSP |
| 7 | 322352 | 1 | FITT.DK S-53 TEE |
| 8 | 334229 | 1 | FITT.DK S-53 STR.3/4" |
| 9 | 334260 | 1 | GASKET F. S-53 BULKHEAD |
| 10 | 334564 | 1 | FITT.DK S-67 TO S-53 ADAPTER |
| 11 | 391100 | 1 | FITT.DK S-53THREAD INS.1/2"BSP |
| 12 | 726463 | 1 | FITT.DK S53 BULKHEAD W/GASKET |
| 13 | 726552 | 1 | FIT.DK S-53X90 1/2" BSP,O-RING |
| 14 | 726556 | 1 | FITT.DK S-53 HB 1/2" W/O-RING |
| 15 | 726558 | 1 | FITT.DK S53 STR. 3/4" W.ORING |
| 16 | 726559 | 1 | FITT DK. S-53 HB 1" W/O-RING |
| 17 | 726568 | 1 | FITT.DK.S-53 HB 1/2"90 W/O-RING |
| 18 | 726570 | 1 | FITT.DK S-53 ELB.3/4" W.ORING |
| 19 | 726571 | 1 | FITT.DK S-53 ELB.1", W ORING |
| 20 | 726578 | 1 | FITT.DK S53 PLUG WITH O-RING |
| 21 | 728561 | 1 | FITT.DK. S67M - S53F REDUCER |



L0090

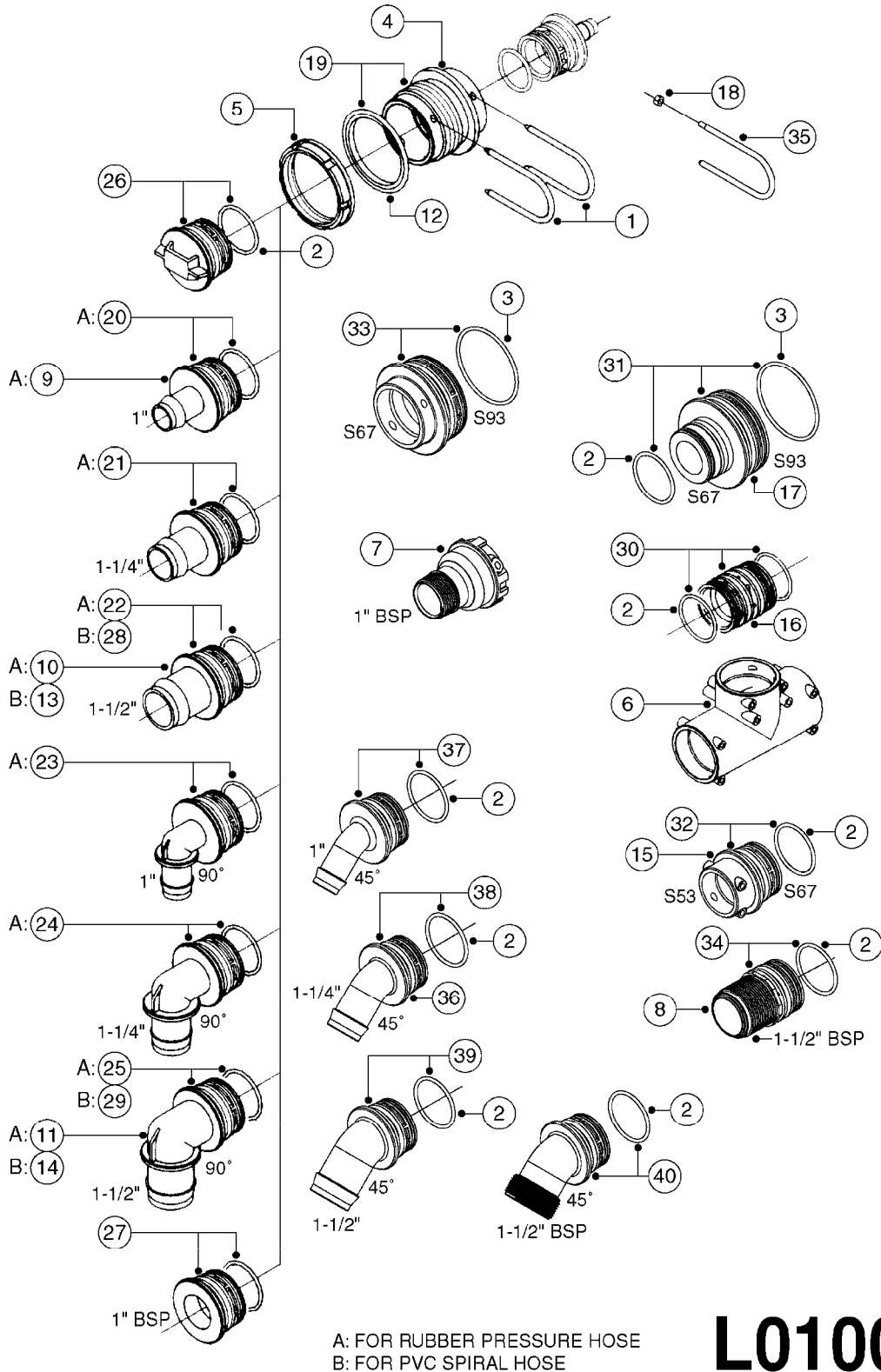


FITTINGS - S-56 & S-61
L0090-HIN, 01:01:16

Page 1

Date 07.02.2020 10:05

| parts-n° | order qty | description |
|----------|-----------|--------------------------------|
| 145661 | 1 | FITT.DK S-61 FORK |
| 241754 | 1 | O-RING D59.5X3 |
| 241883 | 1 | O-RING 3 X 39.2 NITRIL |
| 322055 | 1 | FITT.DK S-61 BULKHEAD |
| 322056 | 1 | FITT.DK S-61 BULKHEAD NUT |
| 322066 | 1 | FITT.DK S-56 NUT |
| 334050 | 1 | FITT.DK S-61 STR.1-1/4" |
| 334068 | 1 | FITT.DK S-61 STR.1" |
| 334091 | 1 | FITT.DK S56 STR.1-1/2' |
| 334099 | 1 | FITT.DK S-61 ELB.1-1/2"110 DEG |
| 334100 | 1 | FITT.DK S-61 ELB.1" 110 DEG. |
| 334151 | 1 | FITT.DK S-61 ELB.1-1/4"110 DEG |
| 390231 | 1 | FITT.DK NIPPLE 1-1/2 X S56 |

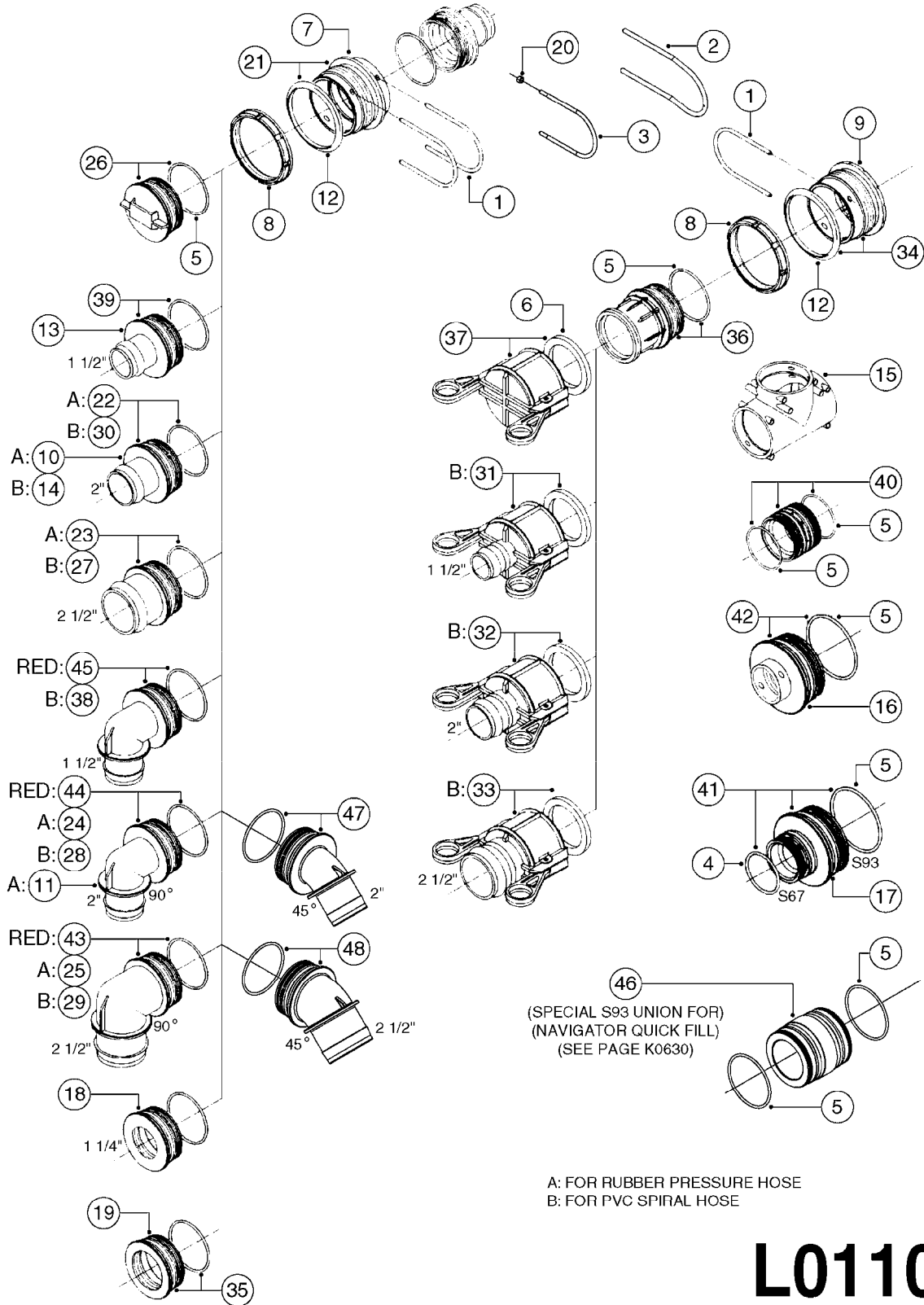




FITTINGS - S-67
L0100-HIN, 21:06:18

Page 1
Date 07.02.2020 10:05

| Pos. | parts-n° | order qty | description |
|------|----------|-----------|--|
| 1 | 145996 | 1 | FITT.DK S-67 FORK |
| 2 | 241973 | 1 | O-RING Ø3 X 44.2 70 SHORES NITRIL NITRIL (BLACK) |
| 2 | 242353 | 1 | O-RING 3 X 44.2 VITON VITON (BROWN) |
| 3 | 242092 | 1 | O-RING D69.5X3 NITRIL (BLACK) |
| 3 | 242351 | 1 | O-RING D69.5X3.0 VITON F.S-93 VITON (BROWN) |
| 4 | 322104 | 1 | FITT.DK S-67 BULKHEAD |
| 5 | 322108 | 1 | FITT.DK S-67 BULKHEAD NUT |
| 6 | 322224 | 1 | FITT.DK S-67 TEE |
| 7 | 322321 | 1 | FITT.DK S-67 X 1"BSP MALE |
| 8 | 322325 | 1 | FITT.DK S-67 X 1-1/2"BSP LONG |
| 9 | 334231 | 1 | FITT.DK S-67 STR.1" |
| 10 | 334233 | 1 | FITT.DK S-67 STR.1-1/2" RUBBER |
| 11 | 334245 | 1 | FITT.DK S-67 ELB. 1-1/2"RUBBER |
| 12 | 334261 | 1 | GASKET F. S-67 BULKHEAD |
| 13 | 334444 | 1 | FITT.DK S-67 STR.1-1/2" PVC |
| 14 | 334445 | 1 | FITT.DK S-67 ELB.1-1/2" |
| 15 | 334564 | 1 | FITT.DK S-67 TO S-53 ADAPTER |
| 16 | 334573 | 1 | FITT.DK S-67 CONNECTOR |
| 17 | 334634 | 1 | FITT.DK ADAPTER S-93M S67M |
| 18 | 461217 | 1 | NUT HEX M5 LOCK |
| 19 | 726464 | 1 | FITT.DK S-67 BULKHEAD W/GASKET |
| 20 | 726560 | 1 | FITT.DK S-67 STR.1" W.O'RING |
| 21 | 726561 | 1 | FITT.DK S-67 STR.1-1/4" O-RING |
| 22 | 726562 | 1 | FITT.DK.S-67 HB 1-1/2"W.O-RING |
| 23 | 726572 | 1 | FITT.DK S-67 1" ELBOW 90 ASSY. |
| 24 | 726573 | 1 | FITT. S67 5/4" 90° W/O-RING |
| 25 | 726574 | 1 | FITT.DK S67X90,1.5HB PRESSURE |
| 26 | 726579 | 1 | FITT. S67 PLUG W/O-RING |
| 27 | 726695 | 1 | FITTING S67 - BSP 1" + O-RING |
| 28 | 727223 | 1 | FITT.S67 1.5" STRAIT S W/ORING |
| 29 | 727224 | 1 | FITT.DK S67X90,1.5HB SUCTION |
| 30 | 728526 | 1 | FITT.DK S-67 CONNECT W/O-RINGS |
| 31 | 728527 | 1 | ADAPTER S67M TO S93M W/ORING |
| 32 | 728561 | 1 | FITT.DK. S67M - S53F REDUCER |
| 33 | 728562 | 1 | FITT.DK S-93 TO S67 ADAPTOR |
| 34 | 728578 | 1 | FITT.DK S-67X1-1/2"BSP LG W/O-RING |
| 35 | 14012200 | 1 | FITT.DK S-67 FORK W/M5 THREADS |
| 36 | 33509700 | 1 | FITT.DK S-67 45° 1-1/4" |
| 37 | 72433000 | 1 | FITT.S67 1" 45° W/O-RING |
| 38 | 72433100 | 1 | FITT.DK S-67 45° 1-1/4"W/ORING |
| 39 | 72433200 | 1 | FITT.S67 1-1/2" 45°PVC W/O-RING |
| 40 | 72433400 | 1 | FITT.S67 1-1/2" 45°BSP W/ORING |



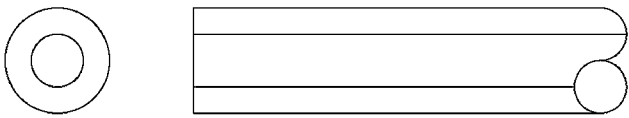
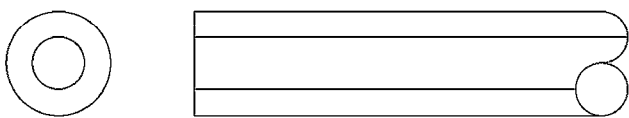
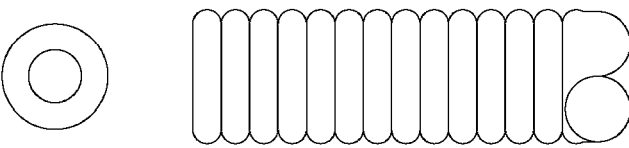
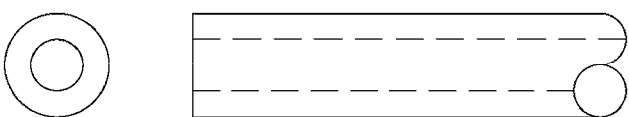
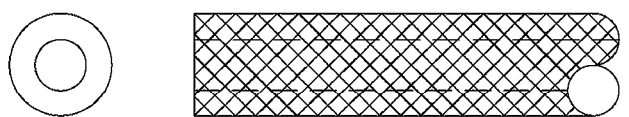
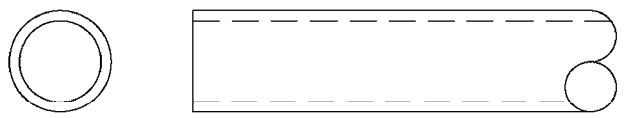


FITTINGS - S-93
L0110-HIN, 13:09:17

Page 1
Date 07.02.2020 10:05

| Pos. | parts-n° | order qty | description |
|------|----------|-----------|--|
| 1 | 145997 | 1 | FITT.DK S-93 FORK |
| 2 | 147115 | 1 | FITT.DK S-93 FORK SPECIAL |
| 3 | 147774 | 1 | FITT.DK S-93 FORK W. M5 THREAD |
| 4 | 241973 | 1 | O-RING Ø3 X 44.2 70 SHORES NITRIL NITRIL (BLACK) |
| 4 | 242353 | 1 | O-RING 3 X 44.2 VITON VITON (BROWN) |
| 5 | 242092 | 1 | O-RING D69.5X3 NITRIL (BLACK) |
| 5 | 242351 | 1 | O-RING D69.5X3.0 VITON F.S-93 VITON (BROWN) |
| 6 | 242221 | 1 | GASKET F. S-93 QUICK COUPLERS |
| 7 | 322105 | 1 | FITT.DK S-93 BULKHEAD DOUBLE |
| 8 | 322109 | 1 | FITT.DK S-93 BULKHEAD NUT |
| 9 | 322165 | 1 | FITT.DK S-93 BULKHEAD SINGLE |
| 10 | 334234 | 1 | FITT.DK S-93 STR.2" RUBBER |
| 11 | 334246 | 1 | FITT.DK S-93 ELB.2" PVC |
| 12 | 334262 | 1 | GASKET F.S-93 BULKHEAD |
| 13 | 334304 | 1 | FITT.DK S-93 STR.1-1/2" PVC |
| 14 | 334426 | 1 | FITT.DK S-93 STR.2" |
| 15 | 334545 | 1 | FITT.DK S-93 TEE |
| 16 | 334601 | 1 | FITT.DK S-93 TO S67 ADAPTOR |
| 17 | 334634 | 1 | FITT.DK ADAPTER S-93M S67M |
| 18 | 390485 | 1 | FITT.DK S-93 PLUG W D34 HOLE |
| 19 | 390721 | 1 | FITT.DK S-93 PLUG W/2" NPT THRE |
| 20 | 461217 | 1 | NUT HEX M5 LOCK |
| 21 | 726465 | 1 | FITT.DK S-93 BULKHEAD W/GASKET |
| 22 | 726563 | 1 | FITT.DK S-93 STR 2" W/O-RING |
| 23 | 726564 | 1 | HOSE TAIL 2-1/2" W.O-RING |
| 24 | 726575 | 1 | FITT.DK S-93 ELB. 2" RUBBER |
| 25 | 726576 | 1 | FITT. DK S-93 2-1/2" 90° |
| 26 | 726580 | 1 | FITT. S93 PLUG W/O-RING |
| 27 | 727133 | 1 | FITT. S93 2-1/2" STR. S W/O-RI |
| 28 | 727225 | 1 | FITT.DK S-93 ELB.2'PVC W/ORING |
| 29 | 727226 | 1 | FITT. S93 2-1/2" 90° S W/O-RING |
| 30 | 727227 | 1 | FITT.DK S-93 STR.2" W/ORING |
| 31 | 727235 | 1 | QUICK COUPLER FEMALE W 1-1/2HB |
| 32 | 727236 | 1 | QUICK COUPLER FEMALE W 2" HB |
| 33 | 727237 | 1 | QUICK COUPLER FEMALE W2-1/2" HB |
| 34 | 727339 | 1 | FITT. S93 DRAIN BULKHEAD W/O-R |
| 35 | 727476 | 1 | FITT. DK S-93 2"FM THD W.ORING |
| 36 | 727777 | 1 | QUICK COUPLER S93 DRAIN W/O-RI |
| 37 | 728120 | 1 | QUICK COUPLER CAP F.S93 DRAIN |
| 38 | 728395 | 1 | FITT.DK S-93 ELB.1-1/2" 90 DEG |
| 39 | 728523 | 1 | FITT.DK S-93 STR.1-1/2" W.O-RING |
| 40 | 728525 | 1 | FITT. S93 CONNECTOR W/O-RINGS |
| 41 | 728527 | 1 | ADAPTER S67M TO S93M W/ORING |
| 42 | 728562 | 1 | FITT.DK S-93 TO S67 ADAPTOR |
| 43 | 729828 | 1 | FITT.DK S-93 ELB 2-1/2" RED |
| 44 | 729829 | 1 | FITT.DK S-93 ELB 2 RED |
| 45 | 729830 | 1 | FITT.DK S-93 ELB 1-1/2" 90 RED |
| 46 | 39121700 | 1 | FITT.DK S93 ADAP LG MALE MALE |
| 47 | 72072700 | 1 | FITT.DK S-93 45D 2" PVC |
| 48 | 72072900 | 1 | FITT. S93 2-1/2" 45° S W/O-RING |



| I.D. | PART # (ONE FOOT) | |
|--|--|--|
| 3/8" 1/2" 3/4" 1" 1-1/4" 1-1/2" | 92701703 92702103 92703203 92712403 92734403 92736503 |  RUBBER HOSE |
| 5/16" 3/8" 1/4" 1/2" 3/4" | 927281 927284 927268 927269 927270 |  PVC HOSE |
| 1" 1-1/4" 1-1/2" 2" 2-1/2" | 92702403 92738900 92702603 92702703 92702803 |  PVC SPIRAL SUCTION HOSE, GRAY |
| 3/4" 1-1/4" | 927205 92703503 |  CLEAR HOSE, SMOOTH |
| 1/2" 3/4" | 10631003 927231 |  PVC HOSE, CLEAR, REINFORCED |
| 4mm 6mm 8mm 10mm .25" .38" | 927253 RED 927264 RED 927306 BLACK 927330 BLACK 92703303 BLACK 92703403 BLACK |  PVC AIR HOSE, SMOOTH |

L0120



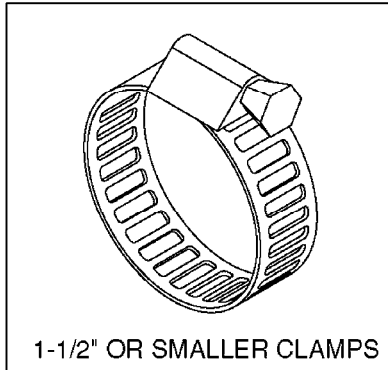
BULK HOSE
L0120-HIN, 17:10:19

Page 1
Date 07.02.2020 10:05

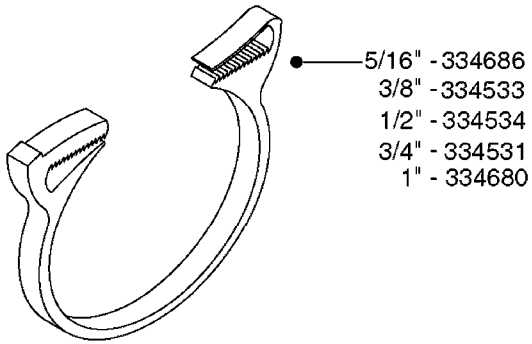
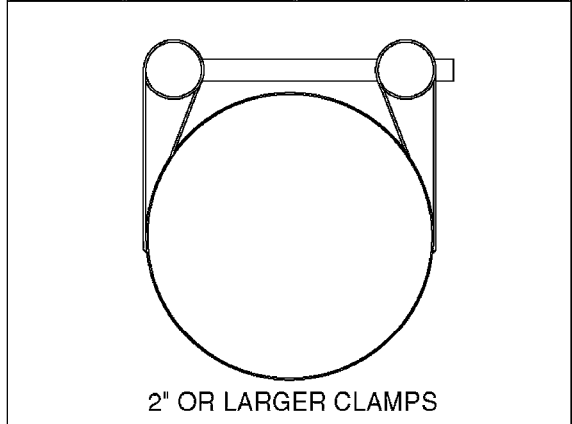
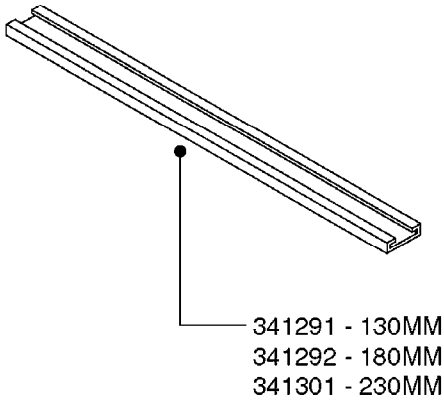
| parts-n° | order qty | description |
|----------|-----------|------------------------------------|
| 927205 | 1 | HOSE R X CLEAR X 3/4 X 0012" |
| 927231 | 1 | HOSE R X PVCX3/4 CLR/BRD 0012" |
| 927253 | 1 | RED AIR HOSE, Ø4/2 1810 E |
| 927264 | 1 | HOSE R X PE D6/D4 X 0012" |
| 927268 | 1 | HOSE BLUE PVC X 1/4 X 0012" |
| 927269 | 1 | HOSE R X PVC X 1/2 X 0012" |
| 927270 | 1 | HOSE R X PVC X 3/4 X 0012" |
| 927281 | 1 | HOSE R X PVC X 5/16 X 0012" |
| 927284 | 1 | HOSE 3/8 PVC W/ INSERT |
| 927306 | 1 | HOSE R X PE D8/D6 X 0012"BLACK |
| 927330 | 1 | HOSE R X PE D10/D8 X 012"BLACK |
| 10631003 | 1 | HOSE R X CLEAR BRAID.X 1/2 12" |
| 92701703 | 1 | HOSE R X3/8" X300PSI WP X0012" |
| 92702103 | 1 | HOSE R X1/2" X300PSI WP X0012" |
| 92702403 | 1 | HOSE PVC SUCT GRAY 1" |
| 92702603 | 1 | HOSE PVC SUCT GRAY 1-1/2" |
| 92702703 | 1 | HOSE PVC SUCT GRAY 2" |
| 92702803 | 1 | HOSE PVC SUCT GRAY 2.5" |
| 92703203 | 1 | HOSE R X3/4" X300PSI WP X0012" |
| 92703303 | 1 | HOSE LLDPE .25"X.17"X12" BLACK |
| 92703403 | 1 | HOSE LLDPE .38"X.25"X12" BLACK |
| 92703503 | 1 | HOSE VINYL CLEAR 1-1/4" OD X 1" ID |
| 92712403 | 1 | HOSE R X1" X300PSI WP X0012" |
| 92734403 | 1 | HOSE R X5/4" X200PSI WP X0012" |
| 92736503 | 1 | HOSE R X1.5" X200PSI WP X0012" |
| 92738900 | 1 | HOSE R X PVC X 1-1/4" 0012" |



HOSE CLAMPS
L0130-HIN, 16:10:19



| Hose Size | Pressure | Suction | Clamp Code |
|-----------|----------|----------|------------|
| 5/16" | 284582 | | - |
| 3/8" | 28044903 | | 6706 |
| 1/2" | 28029803 | | 6708 |
| 3/4" | 28029903 | | 6712 |
| 1" | 28030003 | 28029903 | 6716 |
| 1-1/4" | 28030103 | | 6724 |
| 1-1/2" | | 28030103 | 6724 |
| 2" | | 28030203 | 235-67 |
| 2-1/2" | | 28030303 | 235-74 |
| 3" | | 28030403 | 235-87 |



L0130

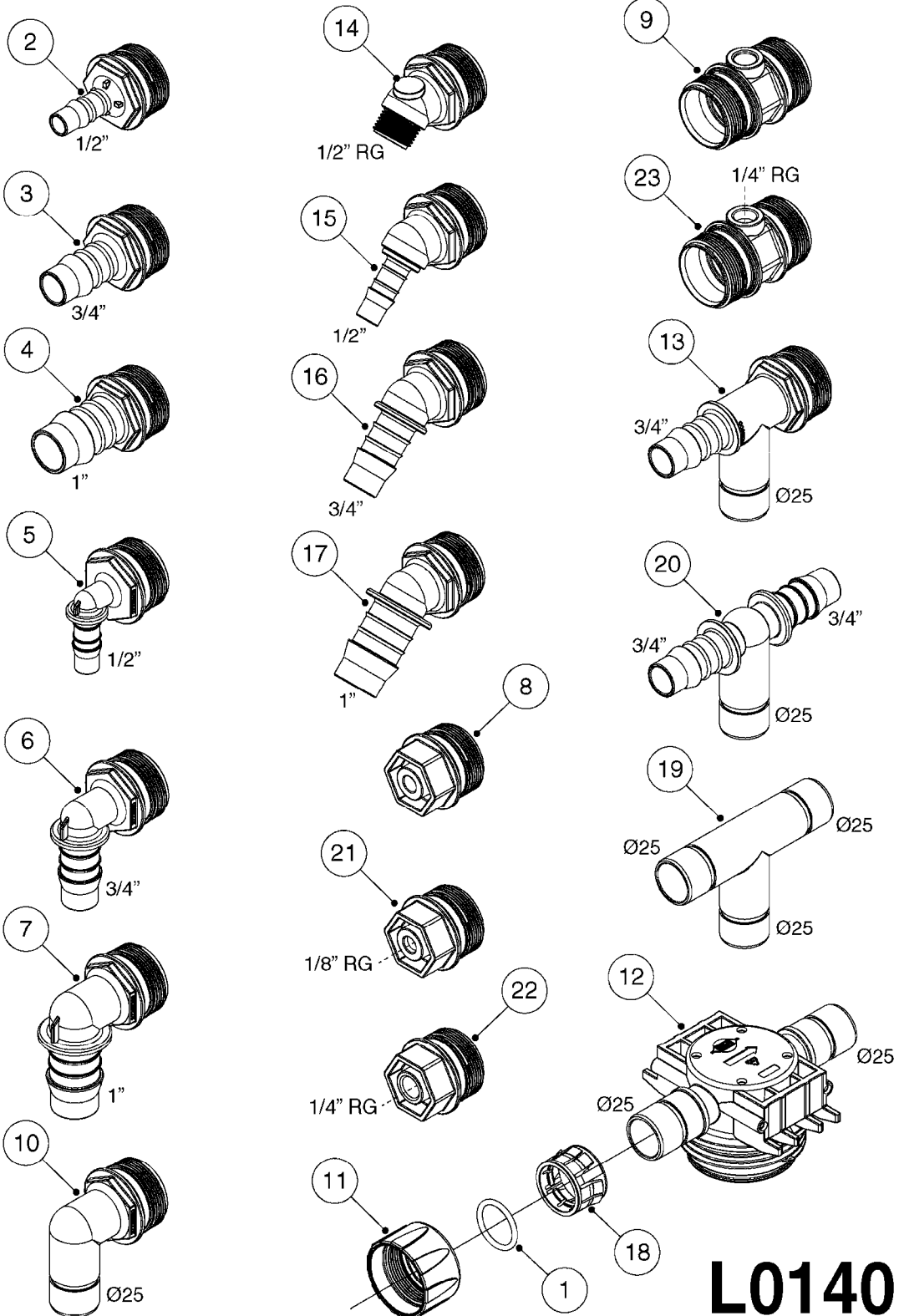


HOSE CLAMPS
L0130-HIN, 16:10:19

Page 1

Date 07.02.2020 10:05

| parts-n° | order qty | description |
|----------|-----------|---------------------------------|
| 284582 | 1 | CLAMP HOSE GEAR - 5/16" |
| 334531 | 1 | CLAMP HOSE PLASTIC 3/4" |
| 334533 | 1 | CLAMP HOSE PLASTIC 3/8" |
| 334534 | 1 | CLAMP HOSE PLASTIC 1/2" |
| 334680 | 1 | CLAMP HOSE PLASTIC 1" |
| 334686 | 1 | CLAMP HOSE PLASTIC 5/16" |
| 341291 | 1 | RUBBER HOSE CLAMP COVER 130MM |
| 341292 | 1 | RUBBER HOSE CLAMP COVER 180MM |
| 341301 | 1 | RUBBER HOSE CLAMP COVER 230MM |
| 28029803 | 1 | CLAMP HOSE GEAR P1/2" 6708 |
| 28029903 | 1 | CLAMP HOSE GEAR P3/4"-S1" 6712 |
| 28030003 | 1 | CLAMP HOSE GEAR P1" 6716 |
| 28030103 | 1 | CLAMP HOSE GEAR P5/4-S1.5" 6724 |
| 28030203 | 1 | CLAMP HOSE T-BOLT S2" 235-67 |
| 28030303 | 1 | CLAMP HOSE T-BOLT S2.5" 235-76 |
| 28030403 | 1 | CLAMP HOSE T-BOLT S3" 235-82 |
| 28044903 | 1 | CLAMP HOSE GEAR P3/8" 6706 |



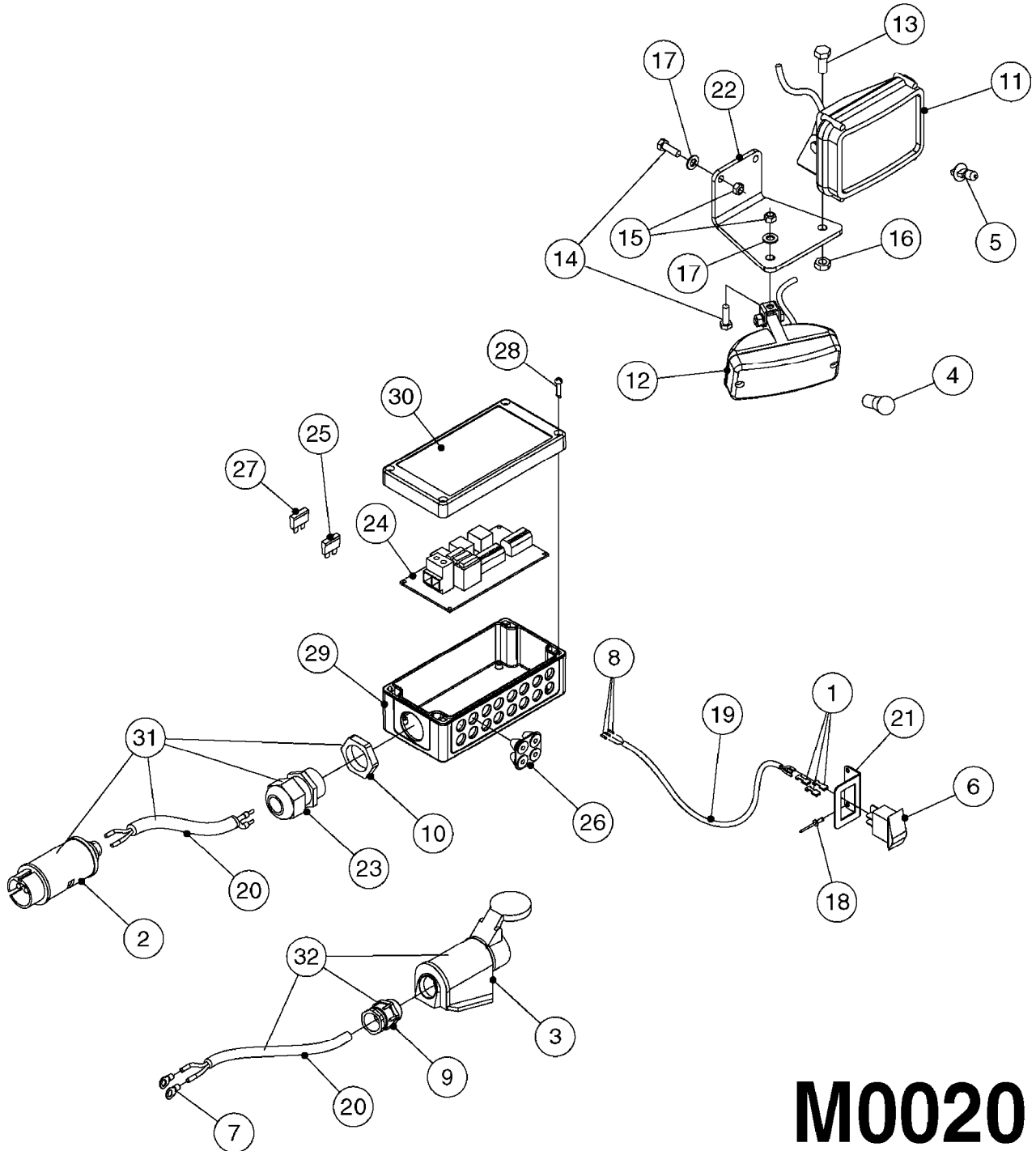
L0140



FITTINGS - T25
L0140-HIN, 01:01:16

Page 1
Date 07.02.2020 10:05

| Pos. | parts-n° | order qty | description |
|------|----------|-----------|--------------------------------|
| 1 | 24263000 | 1 | O-RING Ø24.4 X 3.1 NITRIL SH70 |
| 2 | 32238700 | 1 | FITT.DK HB 1/2" ST T25 |
| 3 | 32238800 | 1 | FITT.DK HB 3/4" STR T25 |
| 4 | 32238900 | 1 | FITT.DK HB 1" ST T25 |
| 5 | 32239000 | 1 | FITT.DK HB 1/2" 90° T25 |
| 6 | 32239100 | 1 | FITT.DK HB 3/4" 90° T25 |
| 7 | 32239200 | 1 | FITT.DK HB 1" 90° T25 |
| 8 | 32239300 | 1 | FITT.DK CAP T25 |
| 9 | 32239500 | 1 | FITT.DK UNION CONNECTOR T25 |
| 10 | 32239600 | 1 | FITT.DK HB ANGLE 90° T25 |
| 11 | 32239700 | 1 | FITT.DK NUT T25 |
| 12 | 32239800 | 1 | FITT.DK IN-LINE FILTER TOP T25 |
| 13 | 32239900 | 1 | FITT.DK TEE 3/4" HB Ø25 T25 |
| 14 | 32240000 | 1 | FITT.DK 1/2" RG 45° T25 |
| 15 | 32240100 | 1 | FITT.DK HB 1/2" 45° T25 |
| 16 | 32240200 | 1 | FITT.DK HB 3/4" 45° T25 |
| 17 | 32240300 | 1 | FITT.DK HB 1" 45° T25 |
| 18 | 33515500 | 1 | FITT.DK NUT LOCK RING T25 |
| 19 | 33516100 | 1 | FITT.DK TEE 3 X Ø25 T25 |
| 20 | 33516200 | 1 | FITT.DK TEE 3/4" HB-Ø25 T25 |
| 21 | 39125500 | 1 | FITT.DK CAP 1/8" RG T25 |
| 22 | 39125600 | 1 | FITT.DK CAP 1/4" RG T25 |
| 23 | 39128700 | 1 | FITT.DK CONNECTOR 1/4" RG T25 |



M0020

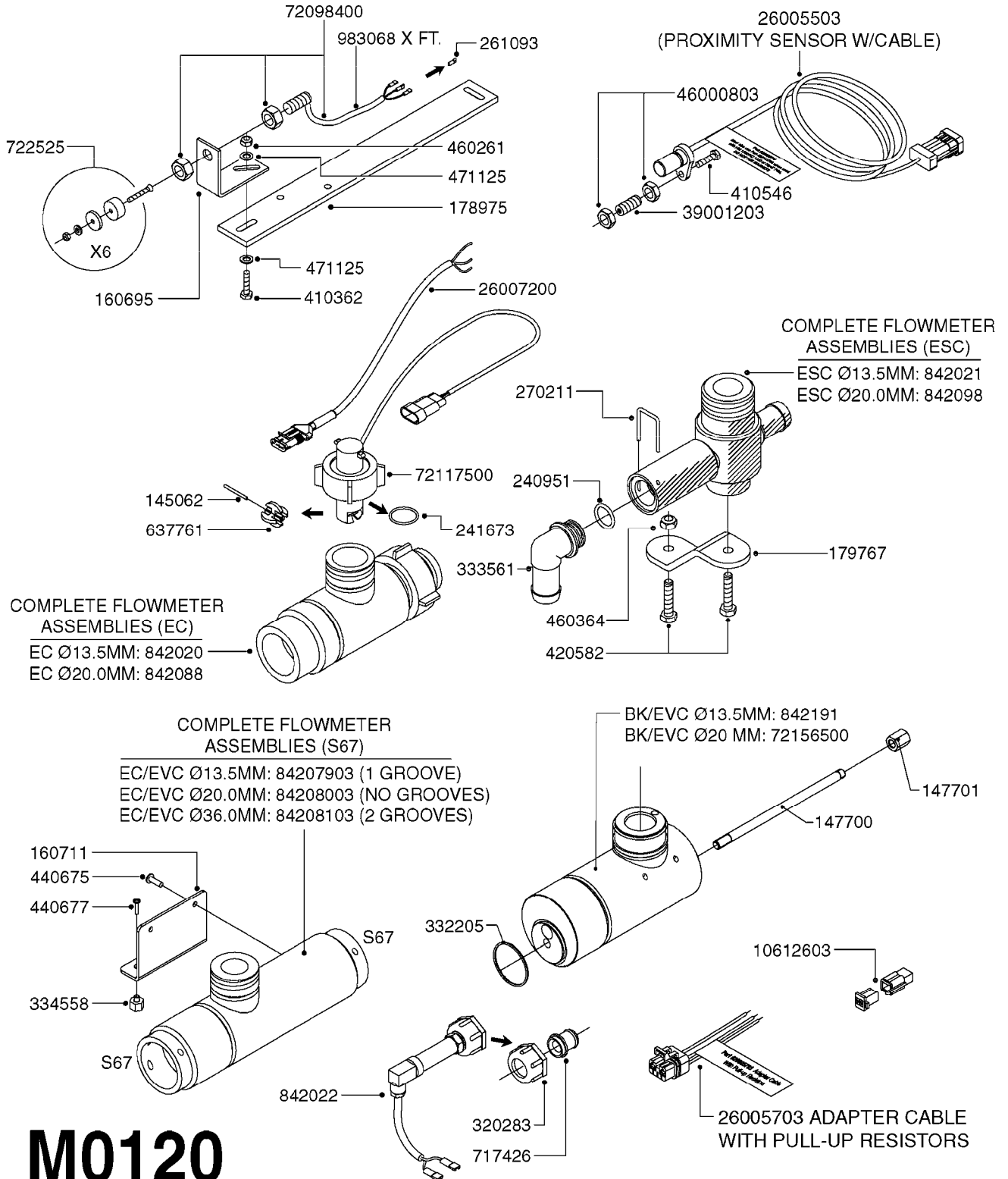


BOOM AND WORKING LIGHT KIT 09
M0020-HIN, 11:12:17

Page 1

Date 07.02.2020 10:05

| Pos. | parts-n° | order qty | description |
|------|----------|-----------|---------------------------------------|
| 1 | 261482 | 1 | SPADE TERMINAL 6.3X.8 1.0-2.5m |
| 2 | 261576 | 1 | PLUG ELEC.2 POLE MALE F.PILOT |
| 3 | 261577 | 1 | PLUG ELEC.2 POLE FEMALE- PILOT |
| 4 | 261739 | 1 | BULB 12V 21W REPALCEMENT |
| 5 | 262009 | 1 | BULB 12V/55W HVID REPLACEMENT |
| 6 | 262010 | 1 | SWITCH, 1 TERMINAL |
| 7 | 262025 | 1 | RING TERMINAL 10MM2 08 |
| 8 | 262031 | 1 | RING TERMINAL 0.75MM 2 |
| 9 | 262105 | 1 | PLUG CASE M25X1.5 11-18 GRAY |
| 10 | 262107 | 1 | NUT F. BULKHEAD CABLE GRAY |
| 11 | 285765 | 1 | BOOM LIGHT |
| 12 | 285766 | 1 | SERVICE WORK LIGHT |
| 13 | 420604 | 1 | BOLT HEX 8.8 DEL M10X25 FT DIN933 |
| 14 | 421046 | 1 | BOLT HEX M8X25/25 A2 SS DIN933 |
| 15 | 460143 | 1 | SELF LOCK NUT M8 SST A2 DIN985 |
| 16 | 460423 | 1 | NUT HEX M10X1.50 LOCK DIN985A2 SS |
| 17 | 471126 | 1 | WASHER, M8, Ø16/ 8.4X 1.6, SS |
| 18 | 480804 | 1 | RIVET Ø4.8x14.5 |
| 19 | 983072 | 1 | ELEC. CABLE 3 WIRE X 0.75MM |
| 20 | 983094 | 1 | CABLE 10MM2 X 12" |
| 21 | 16129600 | 1 | MOUNT PLATE SWITCH WORKING LHT |
| 22 | 16142400 | 1 | BRACKET FOR LIGHTS NCM |
| 23 | 26022800 | 1 | BULKHEAD F. CABLE 15-18 BLACK |
| 24 | 26057300 | 1 | WORK LIGHT PCB 13 |
| 25 | 26176203 | 1 | FUSE 5.0A QUICK-ACT. |
| 26 | 28048200 | 1 | WIRE GROMET RUBBER 4 HOLE |
| 27 | 28048600 | 1 | FULE 15A ATOF SERIES |
| 28 | 28082100 | 1 | SCREW F. BOX LID 1/4" L=20 |
| 29 | 33525400 | 1 | BOTTOM F. BOX 80X160 1+16 F. PT.SCREW |
| 30 | 33525500 | 1 | COVER F. BOX 80X160 W/PT.SCREW |
| 31 | 72020800 | 1 | CABLE 2X10MM2/MALE PLUG L=4500 |
| 32 | 72020900 | 1 | CABLE 2X10MM2/FEM. PLUG L=5000 |



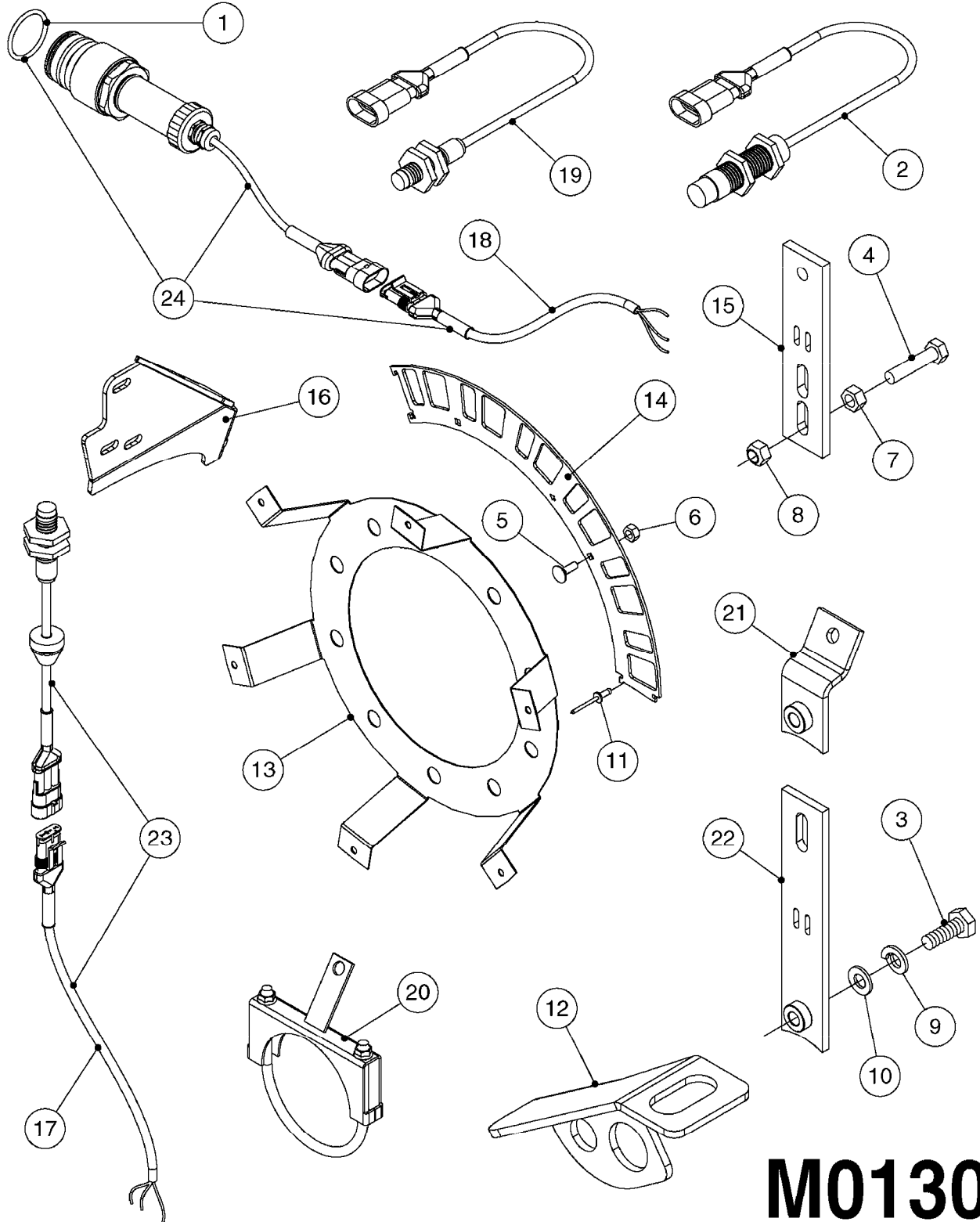
M0120



TRANSDUCERS AND ACCESSORIES
M0120-HIN, 01:01:16

Page 1
Date 07.02.2020 10:05

| parts-n° | order qty | description |
|----------|-----------|-----------------------------------|
| 145062 | 1 | ROTOR SHAFT |
| 147700 | 1 | STUD BOLT M8 X 158MM |
| 147701 | 1 | NUT HEX M8 STAINLESS L=16 |
| 160695 | 1 | BRACKET F.SENSOR |
| 160711 | 1 | BRACKET FOR FLOW METER |
| 178975 | 1 | MOUNT BRACKET F. SPEED SENSOR |
| 179767 | 1 | FLOW SENSOR MOUNTING BRACKET |
| 240951 | 1 | O-RING D21.2X3 NITRIL |
| 241673 | 1 | O-RING D22.1X1.6 |
| 261093 | 1 | SPADE F.ELEC.WIRE DK 2.8X0.8 |
| 270211 | 1 | FITT.DK S25 FORK L=37.5 |
| 320283 | 1 | FITT.DK NUT 3/4"BSP |
| 332205 | 1 | O-RING D43/39XD2 |
| 333561 | 1 | FITT.DK ELB.1" EC RETURN |
| 334558 | 1 | NUT HEX PLASTIC INSERT |
| 410362 | 1 | BOLT HEX 8.8 SS M6X20 |
| 410546 | 1 | BOLT HEX M6X12 A2 SS DIN933 |
| 420582 | 1 | BOLT HEX 8.8 DEL M8X20 FT A2 |
| 440675 | 1 | SCREW F. PLASTIC 5X16 SS |
| 440677 | 1 | SCREW F. PLASTIC 5X20 SS |
| 460261 | 1 | NUT HEX M6X1.00 LOCK DIN985 A2 SS |
| 460364 | 1 | NUT HU M8 A2 SS DIN934 |
| 471125 | 1 | WASHER M6U 6.4X14X1.2,A2 SS |
| 637761 | 1 | ROTOR F.FLOWMETER - PILOT |
| 717426 | 1 | FITT.DK REDUC 1/4"BSP F.3/4"N |
| 722525 | 1 | MONITOR MAGNETS SET OF 8PCS |
| 842020 | 1 | HP FLOW METER EC 2-30 GPM |
| 842021 | 1 | HP FLOW METER ESC 2-30 GPM |
| 842022 | 1 | HP PRESS. TRANSDUCER 0-150 PSI |
| 842088 | 1 | HP FLOW METER EC 4-70 GPM |
| 842098 | 1 | HP FLOW METER ESC 4-70 GPM |
| 842191 | 1 | HP FLOW METER BK/EVC 2-30 GPM |
| 983068 | 1 | ELEC. CABLE 3 WIRE X .25MM HP |
| 10612603 | 1 | KIT PLUG 6 PIN F.PILOT MONITOR |
| 26005503 | 1 | SPEED SENSOR/CABLE ASSY PROX |
| 26005703 | 1 | *SPEED SENS ADPT CBLE W PULLUP |
| 26007200 | 1 | CABLE 3POL AMP FEMALE L13M |
| 39001203 | 1 | THREAD PLST 1/2-13UNCXM6X1L=1" |
| 46000803 | 1 | NUT, 1/2-13 THIN |
| 72098400 | 1 | SPEED SENSOR W/CABLE 10000MM |
| 72117500 | 1 | FLOW SENSOR - M.AMP L=1M |
| 72156500 | 1 | HP FLOW METER PIN 4-70 GPM 20Ø |
| 84207903 | 1 | FLOW METER,2-30 GPM,S67,CAL |
| 84208003 | 1 | FLOW METER,4-70 GPM,S67,CAL |
| 84208103 | 1 | FLOW METER,20-160 GPM,S67,CAL |



M0130



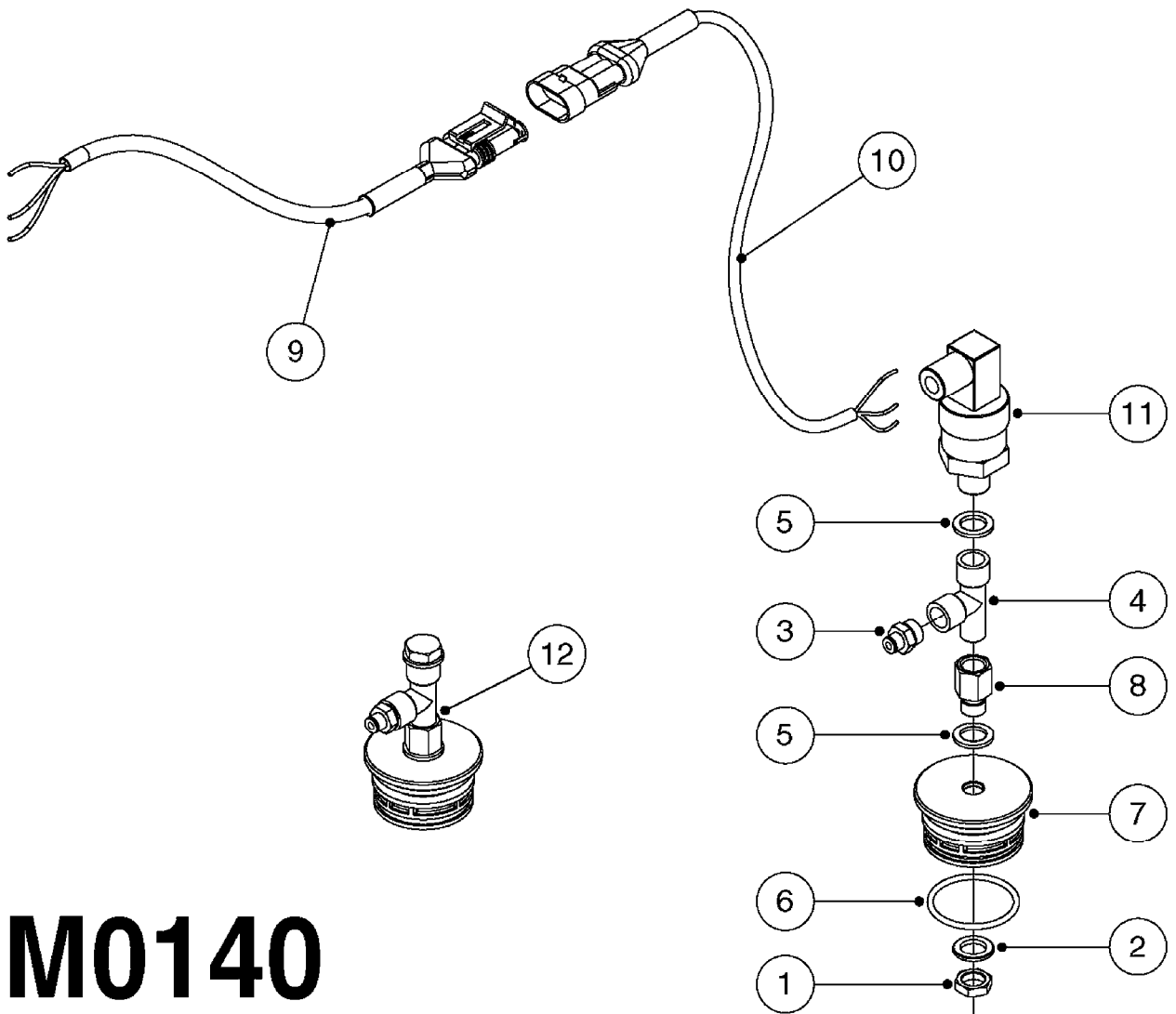
COMMON SENSORS AND BRACKETS
M0130-HIN, 12:12:16

Page 1
Date 07.02.2020 10:05

| Pos. | parts-n° | order qty | description |
|------|----------|-----------|-----------------------------------|
| 1 | 242354 | 1 | O-RING D32.2X3.0 VITON |
| 2 | 285855 | 1 | SENSOR INDUCTIVE M18 W/WIRE |
| 3 | 430286 | 1 | BOLT HEX 8.8 DEL M12X30 FT |
| 4 | 430870 | 1 | BOLT HEX 8.8 DEL M12X55 FT |
| 5 | 440695 | 1 | BOLT CARRIAGE M8X25 |
| 6 | 460143 | 1 | SELF LOCK NUT M8 SST A2 DIN985 |
| 7 | 460386 | 1 | NUT HEX M12X1.75 |
| 8 | 460703 | 1 | NUT HEX M12X1.75 LOCK DIN985A2 SS |
| 9 | 470466 | 1 | WASHER D21.1/D12.2X2.5 LOCK |
| 10 | 471127 | 1 | WASHER, M12, Ø24/13X24X2.5 SS |
| 11 | 480804 | 1 | RIVET Ø4.8x14.5 |
| 12 | 16020300 | 1 | BRACKET FOR SPEED SENSOR |
| 13 | 16094703 | 1 | WHEEL SENSOR MT BKT |
| 13 | 16182403 | 1 | BRACKET, SPEED RING, PRESIDIO |
| 14 | 16138203 | 1 | SPEED SENSOR RING NCM 2009 1/3 |
| 15 | 16138403 | 1 | PLATE F. SPEED SENSOR |
| 16 | 16182303 | 1 | BRACKET, SPEED SENSOR, PR |
| 17 | 26006100 | 1 | CABLE L = 5.00M, AMP, MALE, 3P |
| 18 | 26007100 | 1 | CABLE L = 9.00M, AMP, MALE, 3P |
| 19 | 28047500 | 1 | INDUCTIV SENSOR M12 L1M |
| 20 | 61000603 | 1 | SPEED SNS MNT CLAMP F/DLS 4.5" |
| 21 | 61010703 | 1 | SPEED SENSOR BKT NCM NON-S OLD |
| 22 | 61015803 | 1 | SPEED SENSOR BKT NCM 2010 |
| 23 | 72050100 | 1 | TWIN RPM SENSOR HN |
| 24 | 72534000 | 1 | TANK LEVEL ELEC SENSOR KIT 9M |



PRESSURE SENSOR - AMP
M0140-HIN, 01:01:16



M0140

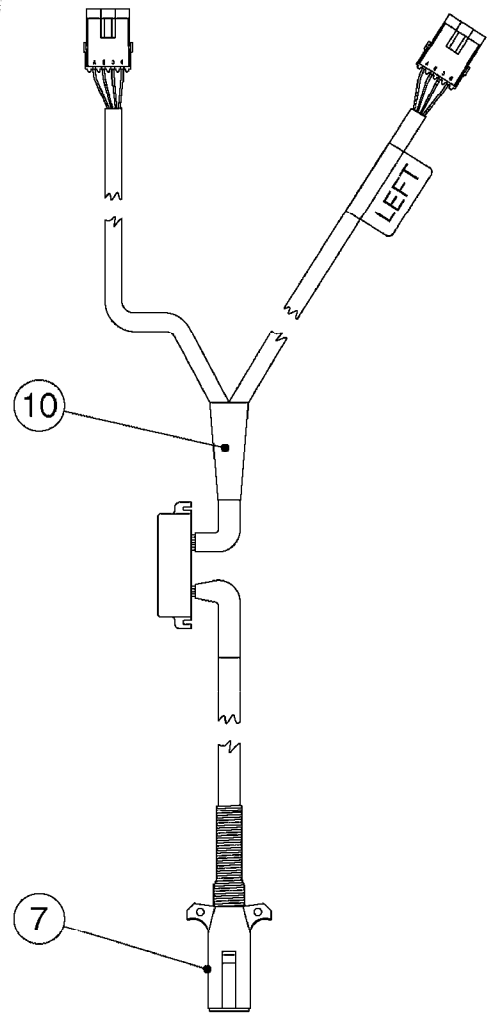
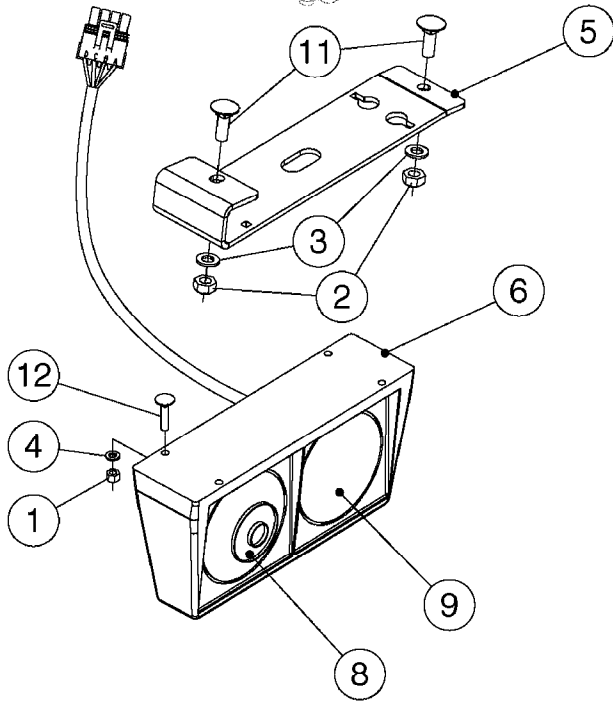
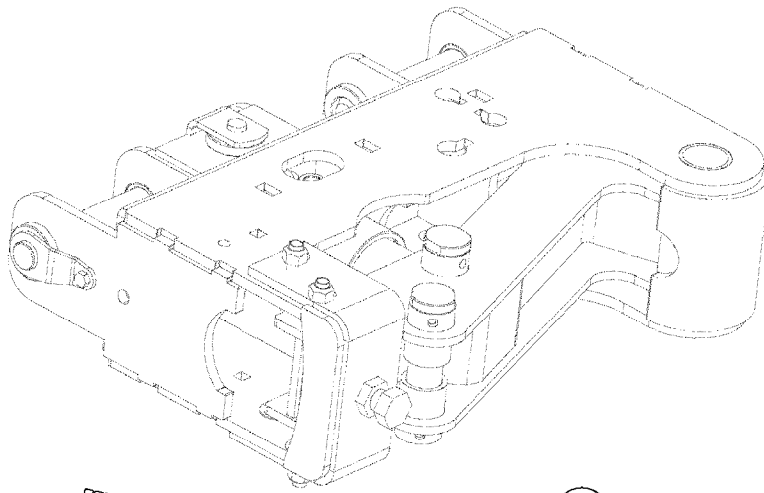


PRESSURE SENSOR - AMP
M0140-HIN, 01:01:16

Page 1

Date 07.02.2020 10:05

| Pos. | parts-n° | order qty | description |
|------|----------|-----------|----------------------------------|
| 1 | 141341 | 1 | NUT 1/4' BSP |
| 2 | 145631 | 1 | WASHER D21.5/D13.5X2.5 BRASS |
| 3 | 232230 | 1 | QUICK COUPLER 1/4"BSP X 4 MM |
| 4 | 232285 | 1 | T-PIECE 1/4" 2 X INT. 1 |
| 5 | 241404 | 1 | DOWTY SEAL 1/4" |
| 6 | 242353 | 1 | O-RING 3 X 44.2 VITON |
| 7 | 391135 | 1 | FITT. S67 PLUG W/13.2Ø HOLE |
| 8 | 14076900 | 1 | NIPPLE 1/4" I-1/4" U L=28.5 SS |
| 9 | 26007000 | 1 | CABLE L = 0.20M, AMP, MALE, 3P |
| 10 | 26007300 | 1 | CABLE L = 1.00M, AMP, FEMALE, 3P |
| 11 | 26026200 | 1 | PRESSURE TRANS. 0-10BAR 4-20mA |
| 12 | 72553900 | 1 | S67 W/T-PIECE F. PRES. TRANS. |



13 COMPLETE ASSEMBLY

COMPLETE ASSEMBLIES
WHOLEGOODS ITEMS

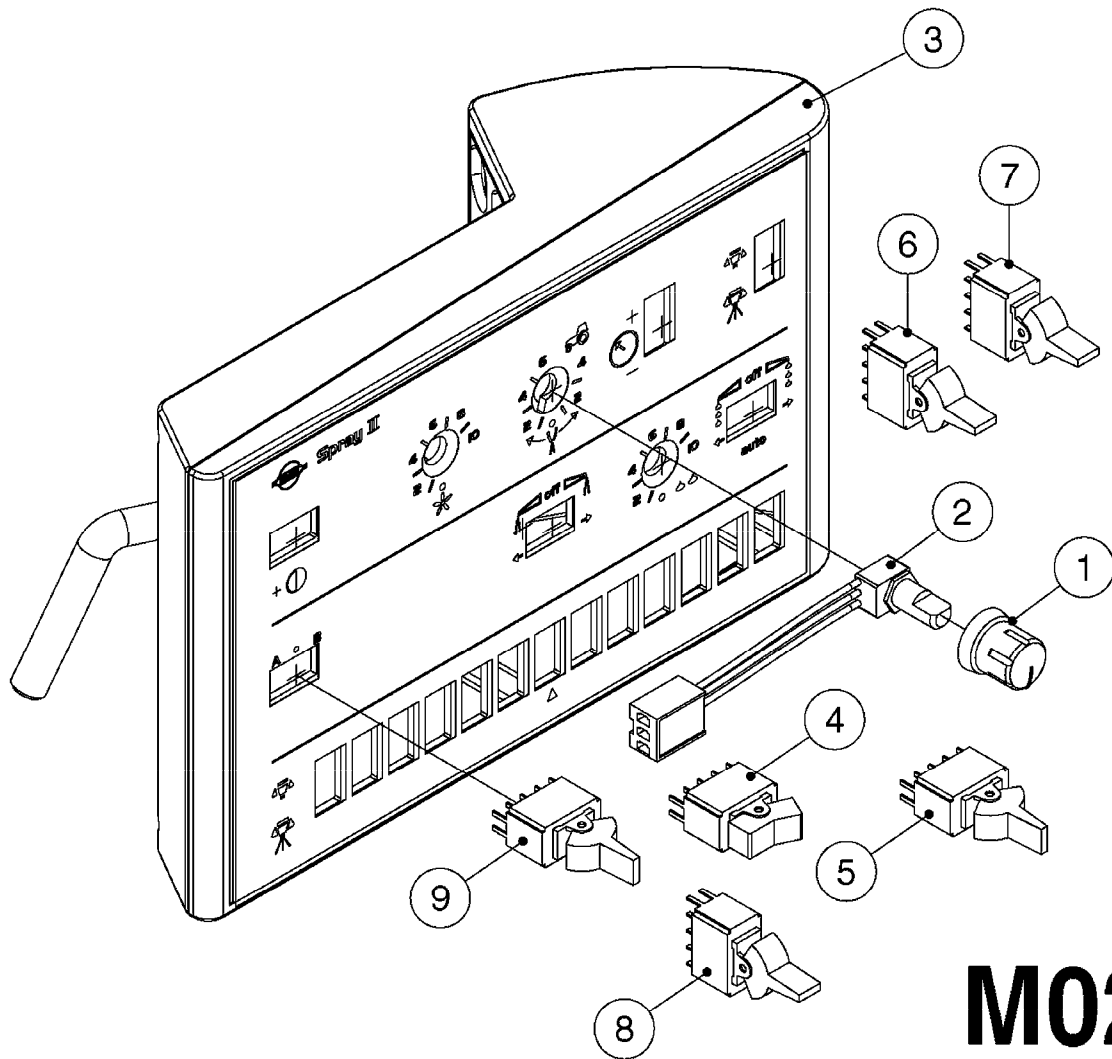
M0165



TRAFFIC LIGHT KIT - DTZ
M0165-HIN, 05:11:18

Page 1
Date 07.02.2020 10:05

| Pos. | parts-n° | order qty | description |
|------|----------|-----------|---|
| 1 | 460261 | 1 | NUT HEX M6X1.00 LOCK DIN985 A2 SS |
| 2 | 460423 | 1 | NUT HEX M10X1.50 LOCK DIN985A2 SS |
| 3 | 471122 | 1 | WASHER, M10, Ø20/10.5X 2.0, SS |
| 4 | 471125 | 1 | WASHER M6U 6.4X14X1.2,A2 SS |
| 5 | 16218503 | 1 | PLATE, FOLDED, 3/16",80X376, RED |
| 6 | 26004903 | 1 | TAIL LIGHT GREEN WIRE LH |
| 6 | 26005003 | 1 | TAIL LIGHT YELLOW WIRE RH |
| 7 | 26005103 | 1 | PLUG 7-PIN AG TAIL LIGHT |
| 8 | 26016903 | 1 | LENS AMBER |
| 9 | 26017003 | 1 | LENS RED |
| 10 | 26032703 | 1 | HARNES COMPLETE, TAIL LIGHT, 2013 |
| 11 | 44074300 | 1 | BOLT CARRIAGE M10x30 SS |
| 12 | 44077200 | 1 | BOLT, CARRIAGE, M6X30 DIN603 SS |
| 13 | 70140303 | 1 | TAIL LIGHT KIT, DTZ INCLUDES 16226203 PLATE F.DTZ CENTER |



M0200

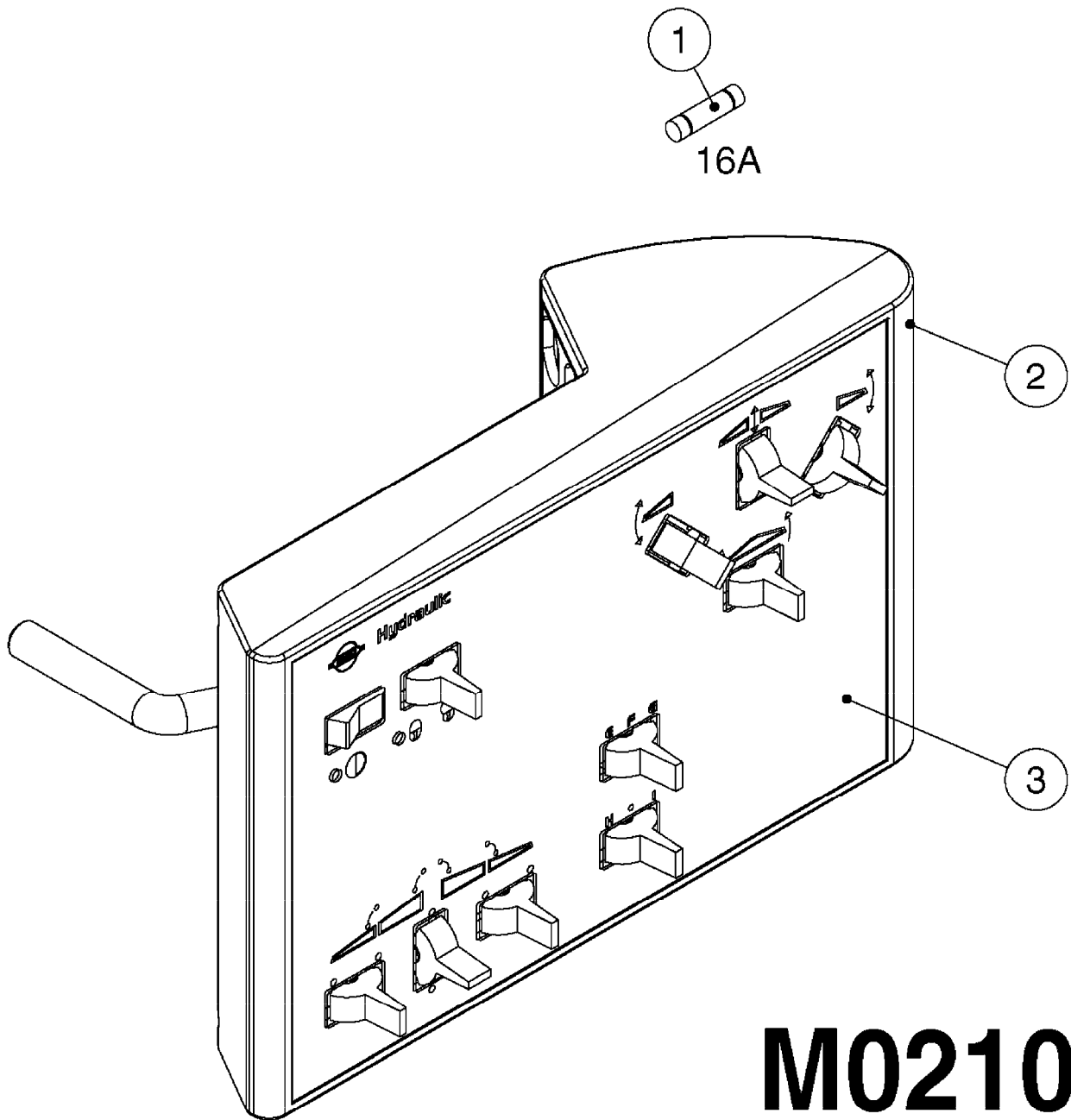


SPRAYBOX II
M0200-HIN, 23:06:16

Page 1

Date 07.02.2020 10:05

| Pos. | parts-n° | order qty | description |
|------|----------|-----------|--------------------------------|
| 1 | 26000400 | 1 | KNOB F.FOAM ADJUST HC5500 |
| 2 | 26005300 | 1 | POT.METER F. SPRAYBOX II |
| 3 | 26010200 | 1 | CONTROL BOX 2SEC, SPRAY BOX II |
| 3 | 26010300 | 1 | CONTROL BOX 3SEC, SPRAY BOX II |
| 3 | 26010400 | 1 | CONTROL BOX 4SEC, SPRAY BOX II |
| 3 | 26010500 | 1 | CONTROL BOX 5SEC, SPRAY BOX II |
| 3 | 26010600 | 1 | CONTROL BOX 6SEC, SPRAY BOX II |
| 3 | 26010700 | 1 | CONTROL BOX 7SEC, SPRAY BOX II |
| 3 | 26010800 | 1 | CONTROL BOX 8SEC, SPRAY BOX II |
| 3 | 26010900 | 1 | CONTROL BOX 9SEC, SPRAYBOX II |
| 3 | 26011000 | 1 | SPRAY CONT. II EVC 4 SEC. HAZ |
| 3 | 26011100 | 1 | SPRAY CONT. II EVC 5 SEC. HAZ |
| 3 | 26011200 | 1 | SPRAY CONT. II EVC 6 SEC. HAZ |
| 3 | 26011300 | 1 | SPRAY CONT. II EVC 7 SEC. HAZ |
| 3 | 26013600 | 1 | CONTROL BOX 13SEC, SPRAYBOX II |
| 4 | 26020200 | 1 | SWITCH ON-ON SP ROCKER RED |
| 5 | 26020300 | 1 | SWITCH ON-OFF-ON SP BLACK |
| 6 | 26020400 | 1 | SWITCH MOM-OFF-MOM SP YELLOW |
| 7 | 26020600 | 1 | SWITCH ON-ON SP GREEN |
| 8 | 26020800 | 1 | SWITCH ON-ON DP GREEN |
| 9 | 26021000 | 1 | SWITCH ON-OFF-ON DP BLACK |



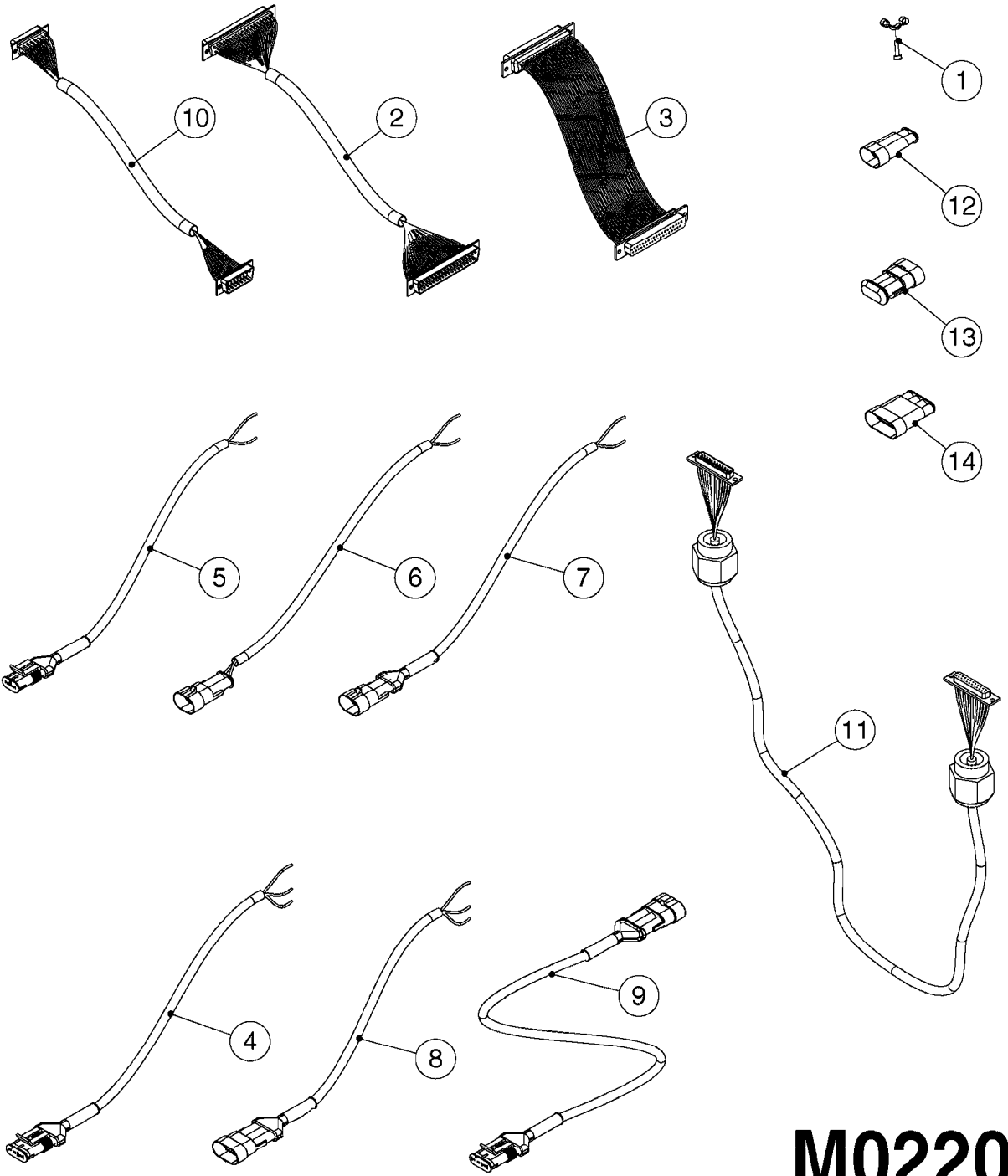


HYDRAULIC CONTROL BOX 39-PIN
M0210-HIN, 30:05:17

Page 1

Date 07.02.2020 10:05

| Pos. | parts-n° | order qty | description |
|------|----------|-----------|---------------------------------------|
| 1 | 26025800 | 1 | FUSE 16AMP |
| 2 | 26048000 | 1 | HYD. CONTROL BOX WITHOUT DECAL (2012) |
| 3 | 97611203 | 1 | DECAL-FTZ SEQUENTIAL FOLD |
| 3 | 97611703 | 1 | DECAL HYD. CONTROL BOX FTZ/ST |
| 3 | 97611803 | 1 | DECAL HYD. CONTROL BOX FTZ |
| 3 | 97612603 | 1 | DECAL HYD.CNTRL.BOX RANGER HZ |
| 3 | 97612703 | 1 | DECAL HYD.CNTRL.BOX RANGER HV |
| 3 | 97614803 | 1 | DECAL HYD.CNTRL.BOX 90/60 |
| 3 | 97614903 | 1 | DECAL HYD.CNTRL.BOX 120/90 |
| 3 | 97615103 | 1 | DECAL HYD.CNTRL.BOX SPB/SPC |



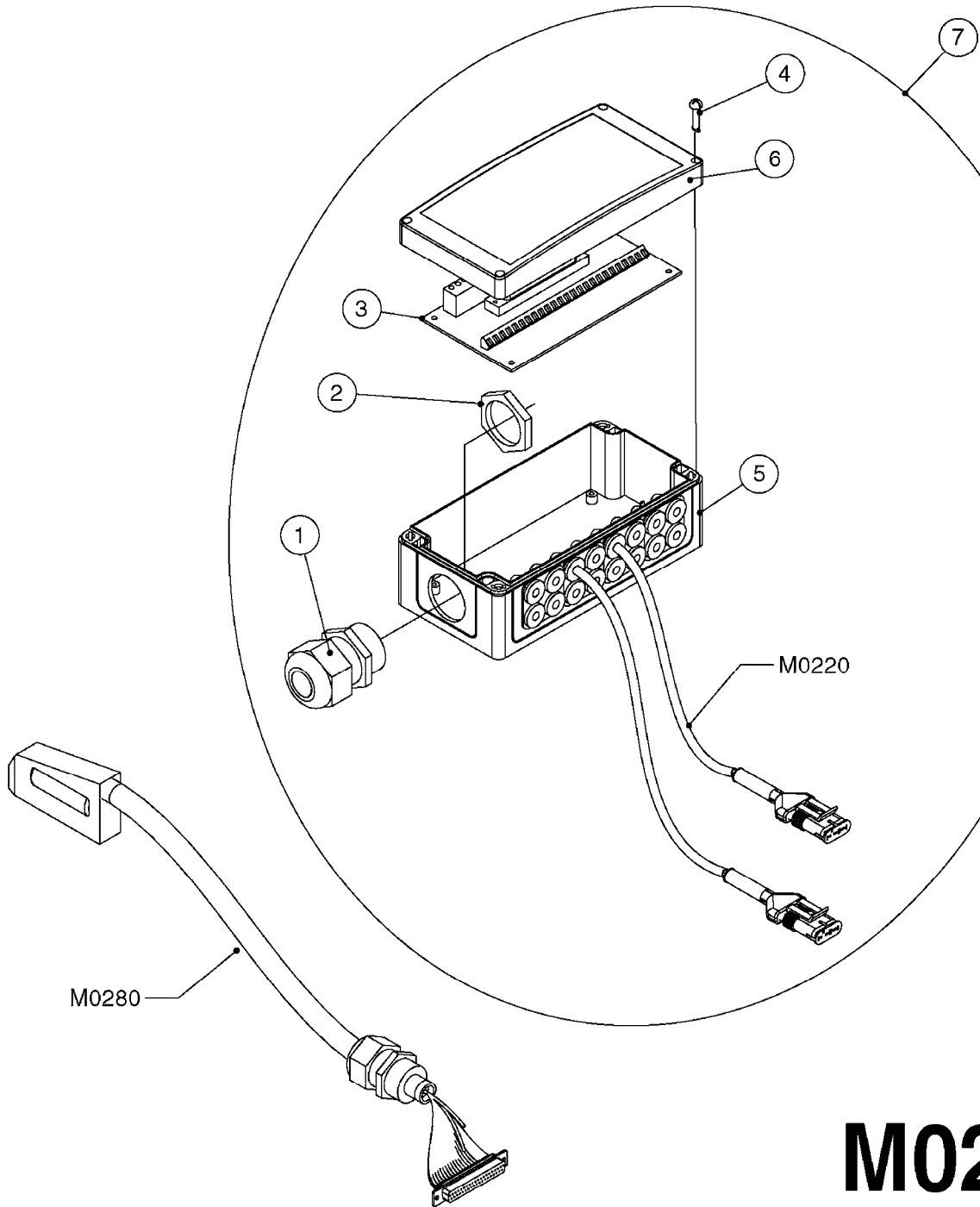
M0220



CABLES
M0220-HIN, 12:05:18

Page 1
Date 07.02.2020 10:05

| Pos. | parts-n° | order qty | description |
|------|----------|-----------|-----------------------------------|
| 1 | 262150 | 1 | SCREW ASSM.FOR D-SUB PLUG |
| 2 | 26004900 | 1 | CABLE FEM/MALE 37P L=9.5M |
| 3 | 26005900 | 1 | WIRE 37/37 POLE DAH/JOB COM |
| 4 | 26006000 | 1 | LEAD F AMP SUPERSEAL 3 WAYS L1,5M |
| 4 | 26006100 | 1 | CABLE L = 5.00M, AMP, MALE, 3P |
| 4 | 26007000 | 1 | CABLE L = 0.20M, AMP, MALE, 3P |
| 4 | 26007100 | 1 | CABLE L = 9.00M, AMP, MALE, 3P |
| 4 | 26007200 | 1 | CABLE 3POL AMP FEMALE L13M |
| 5 | 26006200 | 1 | CABLE L = 4.50M, AMP, MALE, 2P |
| 5 | 26006300 | 1 | CABLE L = 0.50M, AMP, MALE, 2P |
| 5 | 26006400 | 1 | CABLE L = 0.75M, AMP, MALE, 2P |
| 5 | 26006500 | 1 | CABLE L = 1.50M, AMP, MALE, 2P |
| 5 | 26006600 | 1 | CABLE L = 9.00M, AMP, MALE, 2P |
| 6 | 26006700 | 1 | CABLE L = 0.12M, AMP, FEMALE, 2P |
| 7 | 26006800 | 1 | CABLE L = 1.00M, AMP, FEMALE, 2P |
| 8 | 26007300 | 1 | CABLE L = 1.00M, AMP, FEMALE, 3P |
| 9 | 26007400 | 1 | CABLE L = 3.00M, AMP, EXT, 3P |
| 9 | 26009800 | 1 | CABLE L = 0.50M, AMP, EXT, 2P |
| 10 | 26007500 | 1 | CABLE FEM/FEM 15P L=3.5M |
| 11 | 26016900 | 1 | CABLE DB25M - DB25F L=8.5m |
| 12 | 72450600 | 1 | CAP F. AMP SUPER SEAL 2P PLUG |
| 13 | 72450700 | 1 | CAP F. AMP SUPER SEAL 3P PLUG |
| 14 | 72450800 | 1 | CAP F. AMP SUPER SEAL 4P PLUG |



M0230



JUNCTION BOX - LIQUID
M0230-HIN, 01:01:16

Page 1
Date 07.02.2020 10:05

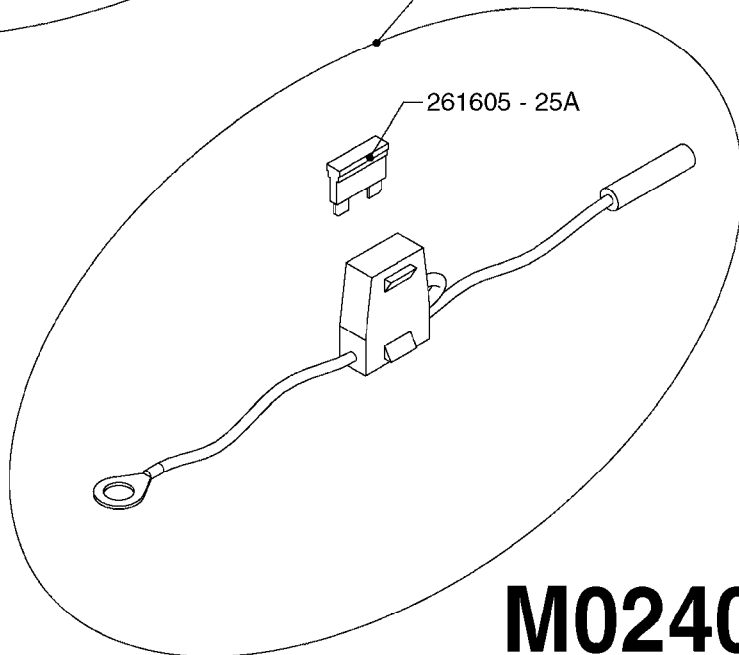
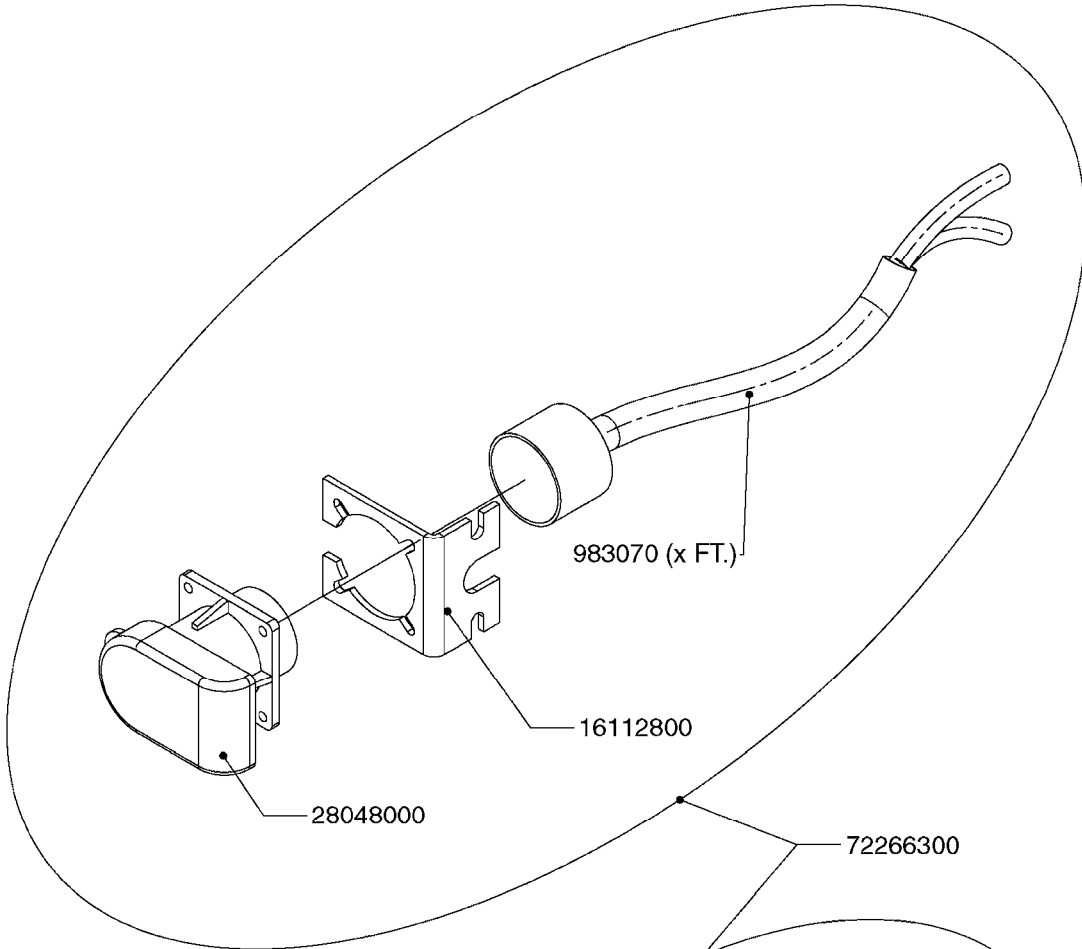
| Pos. | parts-n° | order qty | description |
|------|----------|-----------|--|
| 1 | 262106 | 1 | BULKHEAD F. CABLE 6.5-14 BLACK |
| 2 | 262107 | 1 | NUT F. BULKHEAD CABLE GRAY |
| 3 | 26004800 | 1 | CIRCUIT BD SEC VLV NCM 13SEC 13 SECTION |
| 3 | 72173900 | 1 | CIRCUIT BD SEC VLV 39PIN 9SEC 9 SECTION |
| 4 | 28082100 | 1 | SCREW F. BOX LID 1/4" L=20 |
| 5 | 33508700 | 1 | BOX BOTTOM 160X80X40 BLACK 1-HOLE |
| 6 | 33508800 | 1 | LID 160X80X15 BLK W/SCREWS |
| 7 | 72115400 | 1 | CONNECTION BOX F. OP. UNIT SV9 |



POWER SUPPLY CABLES
M0240-HIN, 01:01:16

Page 0

Date 07.02.2020 10:05



M0240

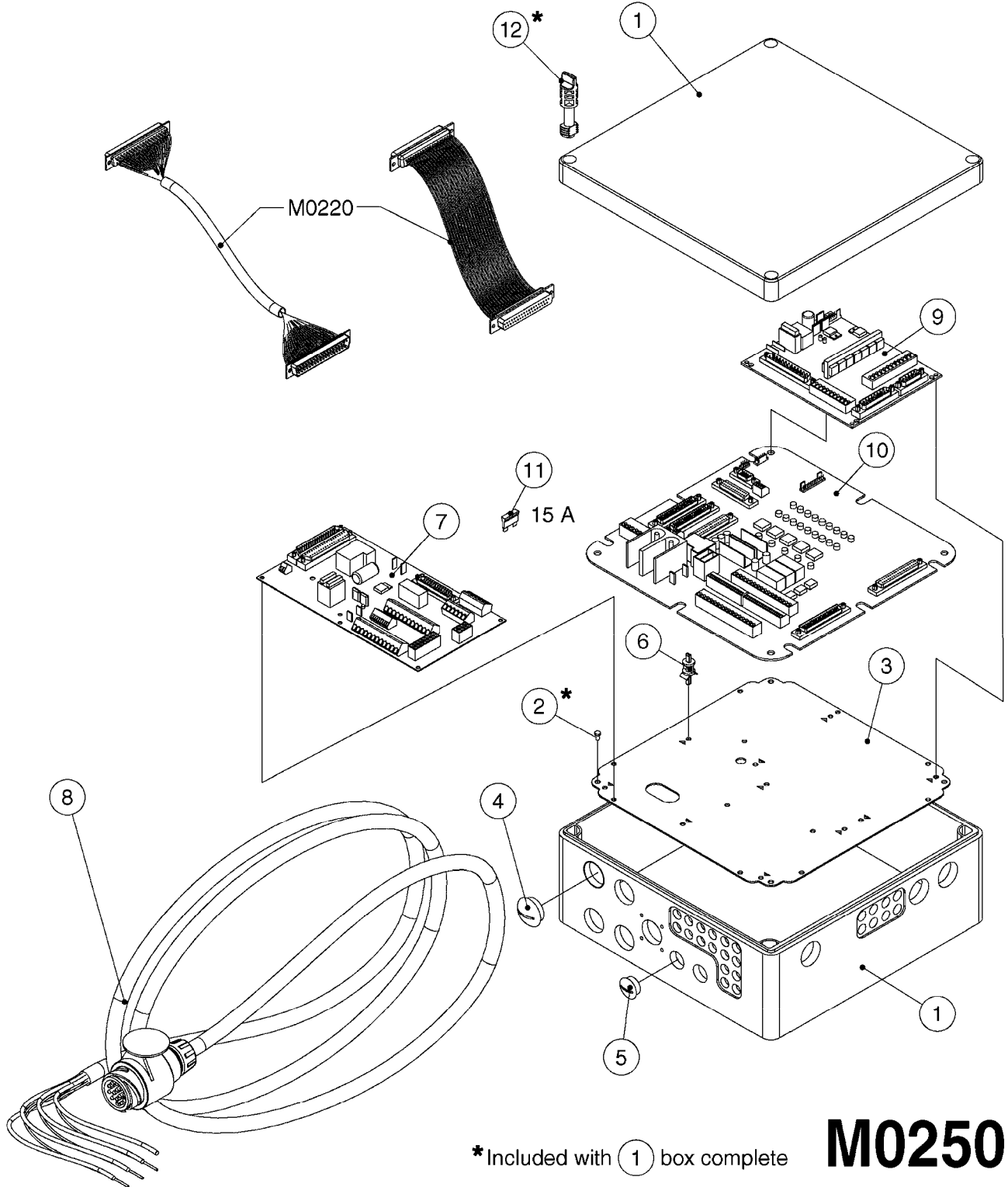


POWER SUPPLY CABLES
M0240-HIN, 01:01:16

Page 1

Date 07.02.2020 10:05

| parts-n° | order qty | description |
|----------|-----------|--------------------------------|
| 261605 | 1 | Fuse 25A ATOF Series |
| 983070 | 1 | CABLE 2X6² |
| 16112800 | 1 | BRACKET F.12V POWER CABLE/PLUG |
| 28048000 | 1 | PLUG 3-POL DIN 9680 FEM.CHASS |
| 72266300 | 1 | CABLE 12VDC POWER F. TRACTOR |



*Included with (1) box complete

M0250



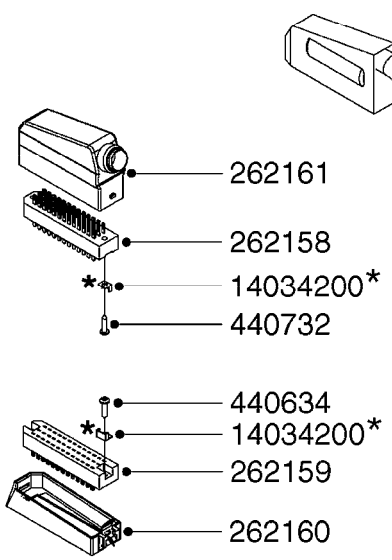
JOB COM AND BREAK OUT
M0250-HIN, 01:02:17

Page 1
Date 07.02.2020 10:05

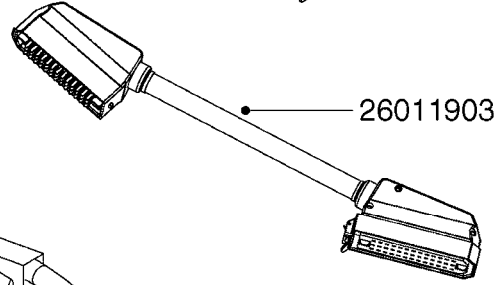
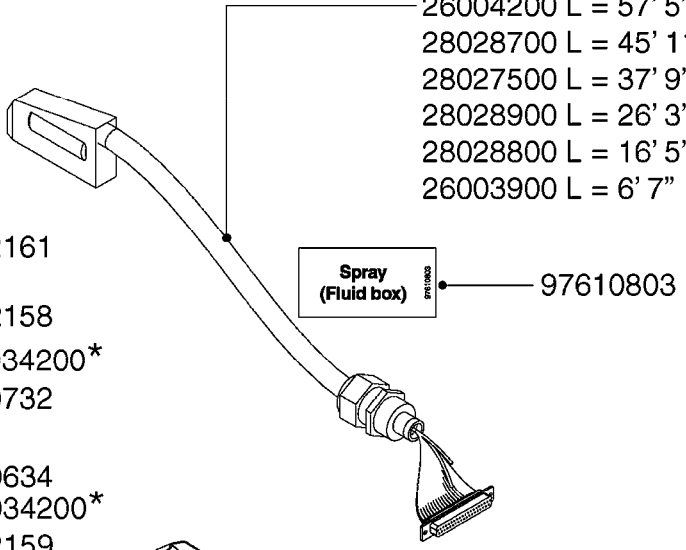
| Pos. | parts-n° | order qty | description |
|------|----------|-----------|--------------------------------|
| 1 | 391095 | 1 | BOX COMPL. 300X300X135 DRILLED |
| 2 | 440673 | 1 | SCREW F.PLASTIC 5X12 SS |
| 3 | 16132400 | 1 | PLATE 1.5X270X270/JOB COMPUTER |
| 4 | 26004600 | 1 | PLUG F.DRILLED HOLE 21MM |
| 5 | 26004700 | 1 | PG13.5 BUNG |
| 6 | 26005100 | 1 | CONNECTOR FOR PCB, PLASTIC |
| 7 | 26005500 | 1 | PCB BREAKOUT BOX EL BOX CM"05" |
| 8 | 26013800 | 1 | CABLE HC6500 JOB COM TO CABIN |
| 9 | 26029200 | 1 | DAH PCB F. JOB COM NCM '09 |
| 10 | 26052700 | 1 | JOB COM PCB ASSY HW3.1 |
| 10 | 72369300 | 1 | JOB COM PCB NCM44/6600 REFURB. |
| 11 | 28048600 | 1 | FULE 15A ATOF SERIES |
| 12 | 28091400 | 1 | FINGER SCREW F.BOX 300X300X135 |



LIQUID SYSTEM

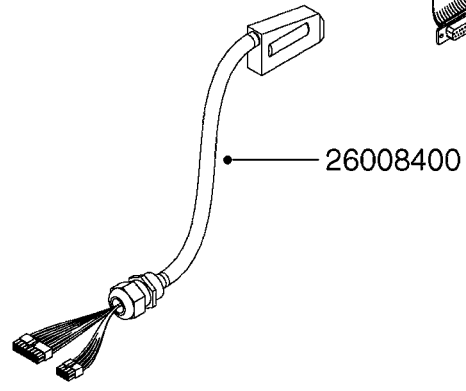
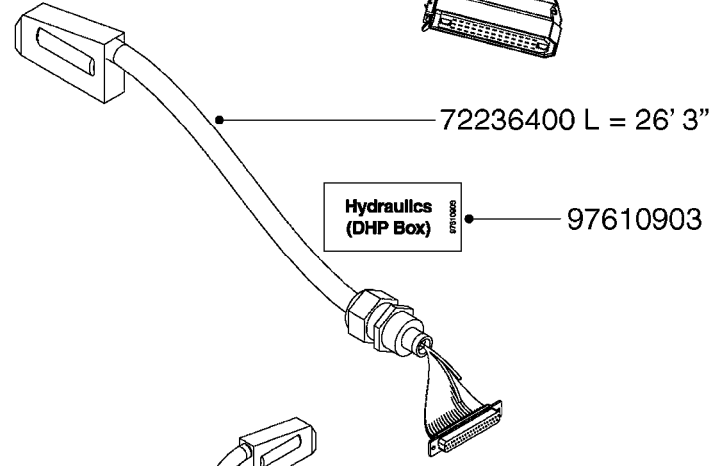
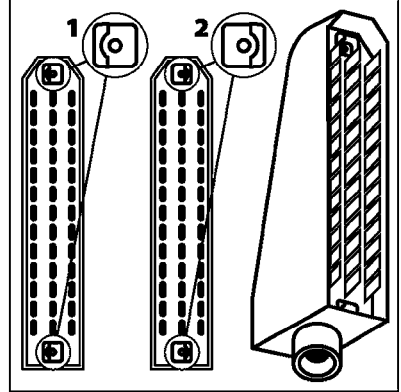


- 26004200 L = 57' 5"
- 28028700 L = 45' 11"
- 28027500 L = 37' 9"
- 28028900 L = 26' 3"
- 28028800 L = 16' 5"
- 26003900 L = 6' 7"



HYDRAULIC SYSTEM

* Note orientation of bracket
1 = Liquid system
2 = Hydraulic system



M0280

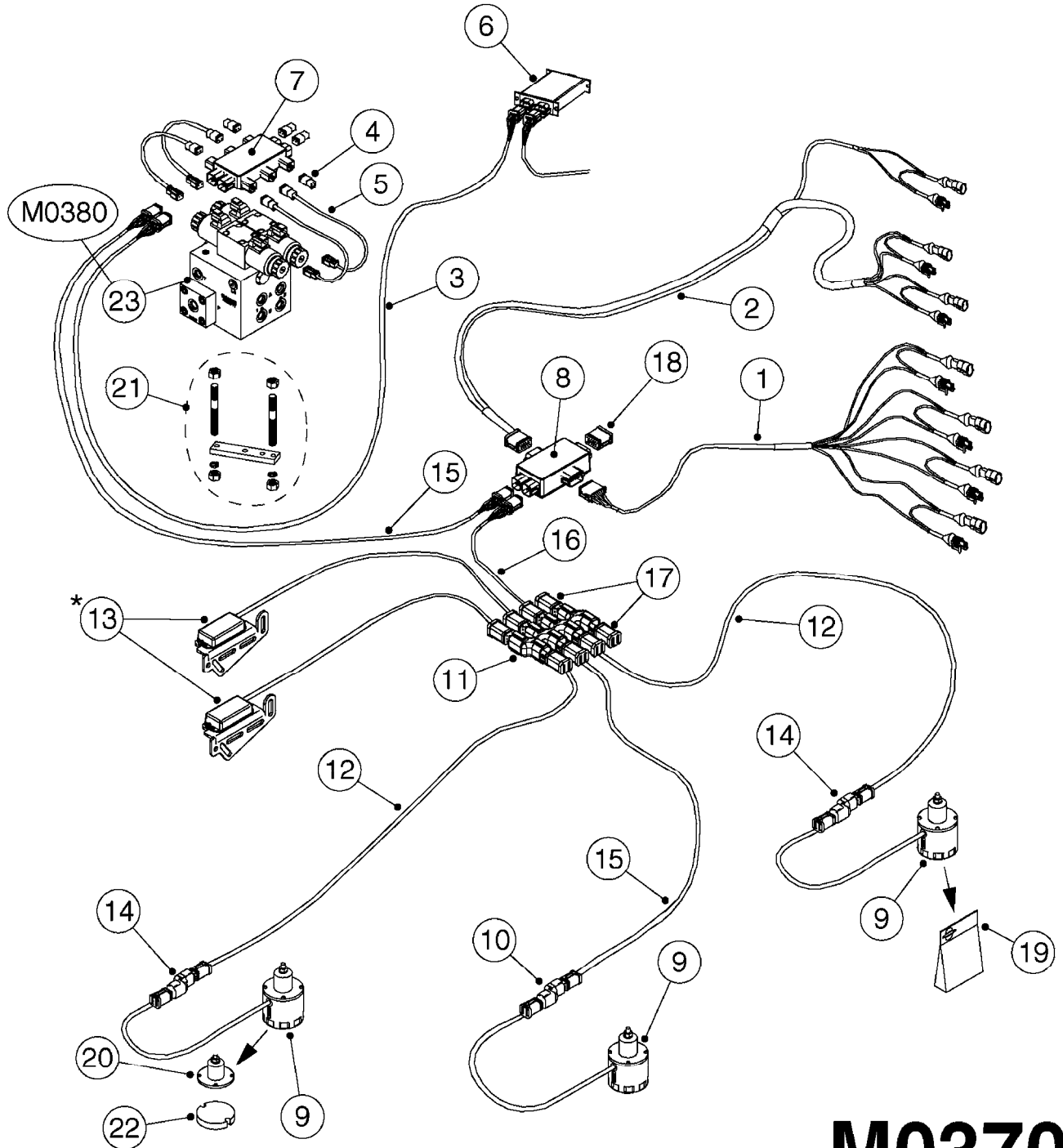


39 PIN CABLES
M0280-HIN, 28:03:17

Page 1

Date 07.02.2020 10:05

| parts-n° | order qty | description |
|----------|-----------|-------------------------------|
| 262158 | 1 | PLUG INSERT 39 POLE MALE |
| 262159 | 1 | PLUG INSERT 39 POLE FEMALE |
| 262160 | 1 | PLUG HOUSING 39 POLE FEMALE |
| 262161 | 1 | PLUG HOUSING F/39 POLE MALE |
| 440634 | 1 | SCREW 5/8" |
| 440732 | 1 | PT SCREW 35X12B Z5452 ELZ |
| 14034200 | 1 | CODE BRACKET FOR 39 PIN CABLE |
| 26003900 | 1 | WIRE 37-39 PIN EVC, 6.6' |
| 26004200 | 1 | WIRE 37-39 PIN EVC, 57.4' |
| 26008400 | 1 | WIRE 39-PIN 24 WIRE L=8M |
| 26011903 | 1 | WIRE 39-39 POLE EXT. 3660MM |
| 28027500 | 1 | WIRE 37-39 PIN EVC, 37.7' |
| 28028700 | 1 | WIRE 37-39 PIN EVC, 45.9' |
| 28028800 | 1 | WIRE 37-39 PIN EVC, 16.4' |
| 28028900 | 1 | WIRE 37-39 PIN EVC, 26.2' |
| 72236400 | 1 | DAH CONN. WIRE/TRACTOR L=8M |
| 97610803 | 1 | DECAL-SRAY BOX 39-PIN |
| 97610903 | 1 | DECAL-HYDRAULIC BOX 39-PIN |



M0370

***CANNOT MIX OLD AND NEW STYLE ROLL SENSORS!**

If replacing Norac P/N 43740, must replace both roll sensors with new style (13).
If unsure, new style (Norac P/N 43741) works with all versions of UC5.

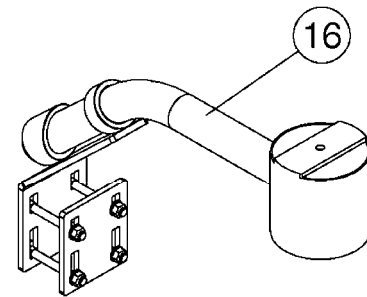
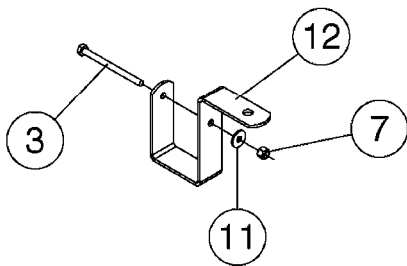
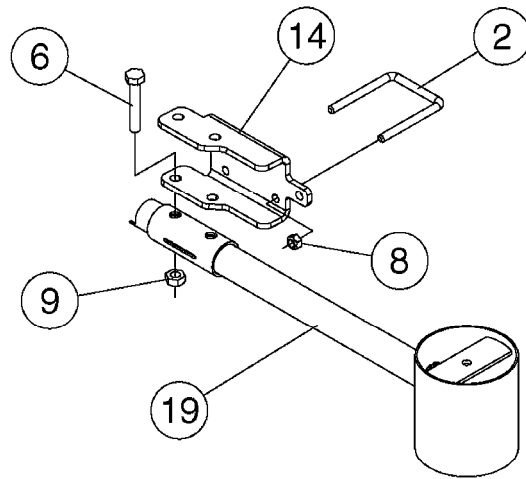
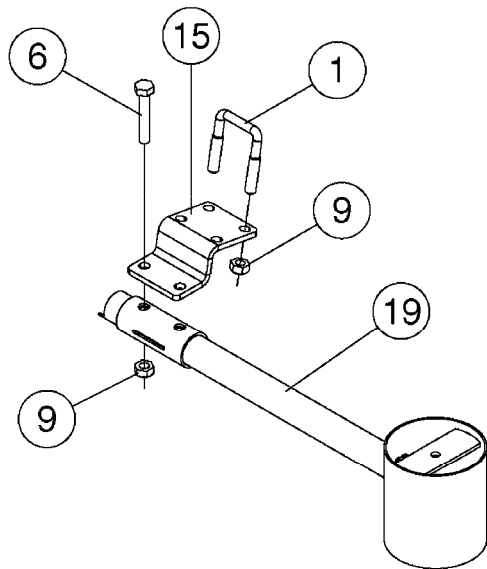
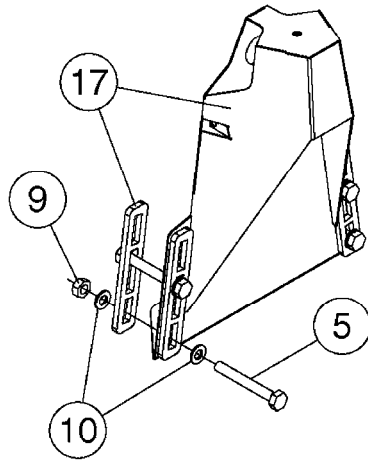
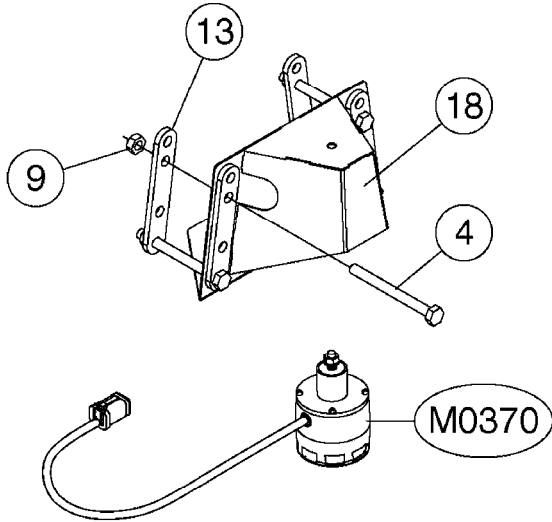


NORAC UC5 BOOM HEIGHT CONTROL
M0370-HIN, 16:10:18

Page 1

Date 07.02.2020 10:05

| Pos. | parts-n° | order qty | description |
|------|----------|-----------|--|
| 1 | 26022703 | 1 | CABLE, INTERFACE, TILT, NORAC UC5 |
| 2 | 26023503 | 1 | CABLE UC5 INTERFACE MAIN AMP |
| 3 | 26032600 | 1 | CABLE UC5 NETWORK 14 AWG 10M |
| 4 | 26043000 | 1 | NORAC UC5 NETWORK 2 PIN PLUG |
| 5 | 26043300 | 1 | CABLE UC5 VALVE 2PIN/2PIN DT |
| 6 | 26043400 | 1 | NORAC UC5 CONTROLLER MODULE |
| 7 | 26043500 | 1 | NORAC UC5 VALVE MODULE |
| 8 | 26043600 | 1 | MODULE, INPUT, NORAC UC5 |
| 9 | 26043700 | 1 | SENSOR, NORAC, UC5, ULTRASONIC |
| 10 | 26043800 | 1 | NORAC UC5 NETWORK COUPLER 2-WAY |
| 11 | 26043900 | 1 | NORAC UC5 NETWORK COUPLER 8-WAY |
| 12 | 26044200 | 1 | CABLE UC5 NETWORK 18 AWG 20M |
| 13 | 26023803 | 1 | NORAC UC5 ROLL SENSOR OLD STYLE NORAC P/N 43740 |
| 13 | 26044300 | 1 | NORAC UC5 ROLL SENSOR NEW STYLE NORAC P/N 43741 |
| 14 | 26044400 | 1 | NORAC UC5 - UC7 COUPLER 2-WAY/TERM. |
| 15 | 26047100 | 1 | CABLE UC5 NETWORK 14 AWG 1M |
| 16 | 26049900 | 1 | CABLE UC5 NETWORK 14 AWG 3M |
| 17 | 26057900 | 1 | UC5 NETWORK 6 PIN PLUG |
| 18 | 26058000 | 1 | NORAC UC5 NETWORK 12-PIN PLUG |
| 19 | 26084700 | 1 | MESH KIT ULTRASONIC SENSOR FOR 2018 AND NEWER SENSORS |
| 19 | 28098003 | 1 | MESH AND CLIP KIT, NORAC FOR PRE-2018 SENSORS |
| 20 | 28050303 | 1 | NORAC RUBBER TOP&BOLT F.SENSOR DIA.30MMX30MMX8MM |
| 21 | 28055503 | 1 | NORAC VALVE MOUNTING HARDWARE |
| 22 | 28086600 | 1 | FOAM DISC F. SENSOR NORAC |
| 23 | 78216100 | 1 | NORAC VALVE BLOCK COMP, DEUTSCH CON. |



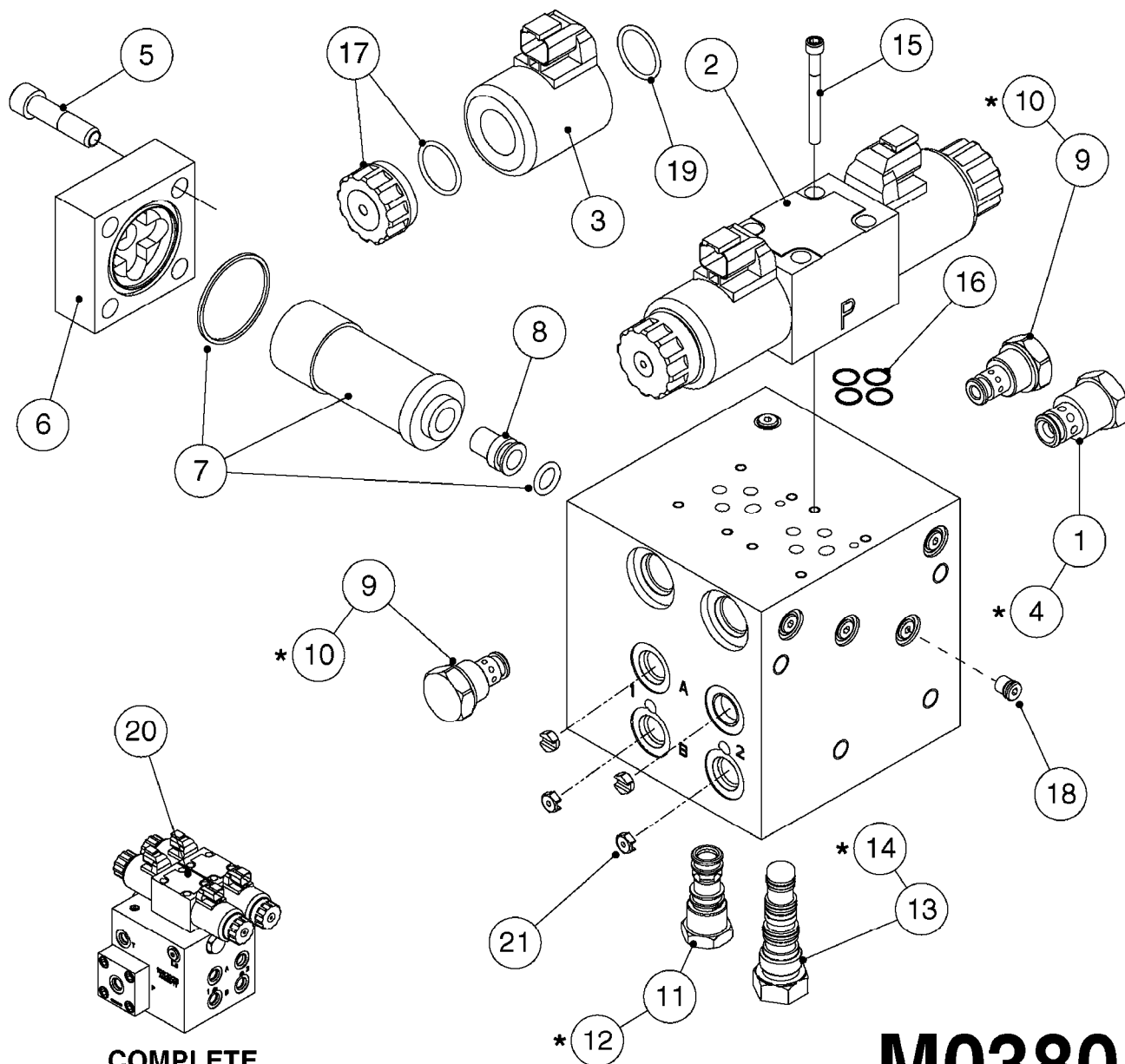
M0375



NORAC UC5 SENSOR BRACKETS
M0375-HIN, 26:06:17

Page 1
Date 07.02.2020 10:05

| Pos. | parts-n° | order qty | description |
|------|----------|-----------|--|
| 1 | 143161 | 1 | BOLT U M10 40X40 |
| 2 | 146843 | 1 | BOLT U M8 F.60 x 60 |
| 3 | 410443 | 1 | BOLT HEX 8.8 DEL M6X70 |
| 3 | 410605 | 1 | BOLT HEX 8.8 DEL M6X80 |
| 4 | 420604 | 1 | BOLT HEX 8.8 DEL M10X25 FT DIN933 |
| 4 | 421214 | 1 | BOLT HEX 8.8 DEL M10X110 |
| 4 | 421222 | 1 | BOLT HEX 8.8 DEL M10X75 FT |
| 4 | 42126800 | 1 | BOLT HEX 8.8 DEL M10X140 |
| 5 | 420884 | 1 | BOLT HEX 8.8 DEL M10X80 FT |
| 5 | 421212 | 1 | BOLT HEX 8.8 DEL M10X110 FT |
| 5 | 421222 | 1 | BOLT HEX 8.8 DEL M10X75 FT |
| 6 | 420906 | 1 | BOLT HEX 8.8 DEL M10X60 |
| 7 | 460261 | 1 | NUT HEX M6X1.00 LOCK DIN985 A2 SS |
| 8 | 460143 | 1 | SELF LOCK NUT M8 SST A2 DIN985 |
| 9 | 460423 | 1 | NUT HEX M10X1.50 LOCK DIN985A2 SS |
| 10 | 471122 | 1 | WASHER, M10, Ø20/10.5X 2.0, SS |
| 11 | 471124 | 1 | WASHER, M6, Ø18/ 6.4X 1.6, SS |
| 12 | 16128603 | 1 | BRACKET F. SENSOR 60X60 TUBE |
| 12 | 16128703 | 1 | BRACKET F. SENSOR 50x50 TUBE |
| 13 | 16204203 | 1 | NORAC SENSOR BRKT BACKER, MAIN LIFT, RED |
| 14 | 16332000 | 1 | NORAC BRACKET, TDZ, INNER LEFT |
| 14 | 16332600 | 1 | NORAC BRACKET, TDZ, INNER RIGHT |
| 15 | 16332200 | 1 | NORAC BRACKET, TDZ, OUTER |
| 16 | 28086500 | 1 | UC4 SENSOR MOUNTING BKT. NORAC |
| 17 | 28092003 | 1 | SENSOR BRKT, LP, SF, NORAC |
| 18 | 63047703 | 1 | NORAC SENSOR BRKT, MAIN LIFT, RED |
| 19 | 63108800 | 1 | NORAC SENSOR BRACKET, BOOM |



**COMPLETE
ASSEMBLY**

***SEAL KITS**

M0380

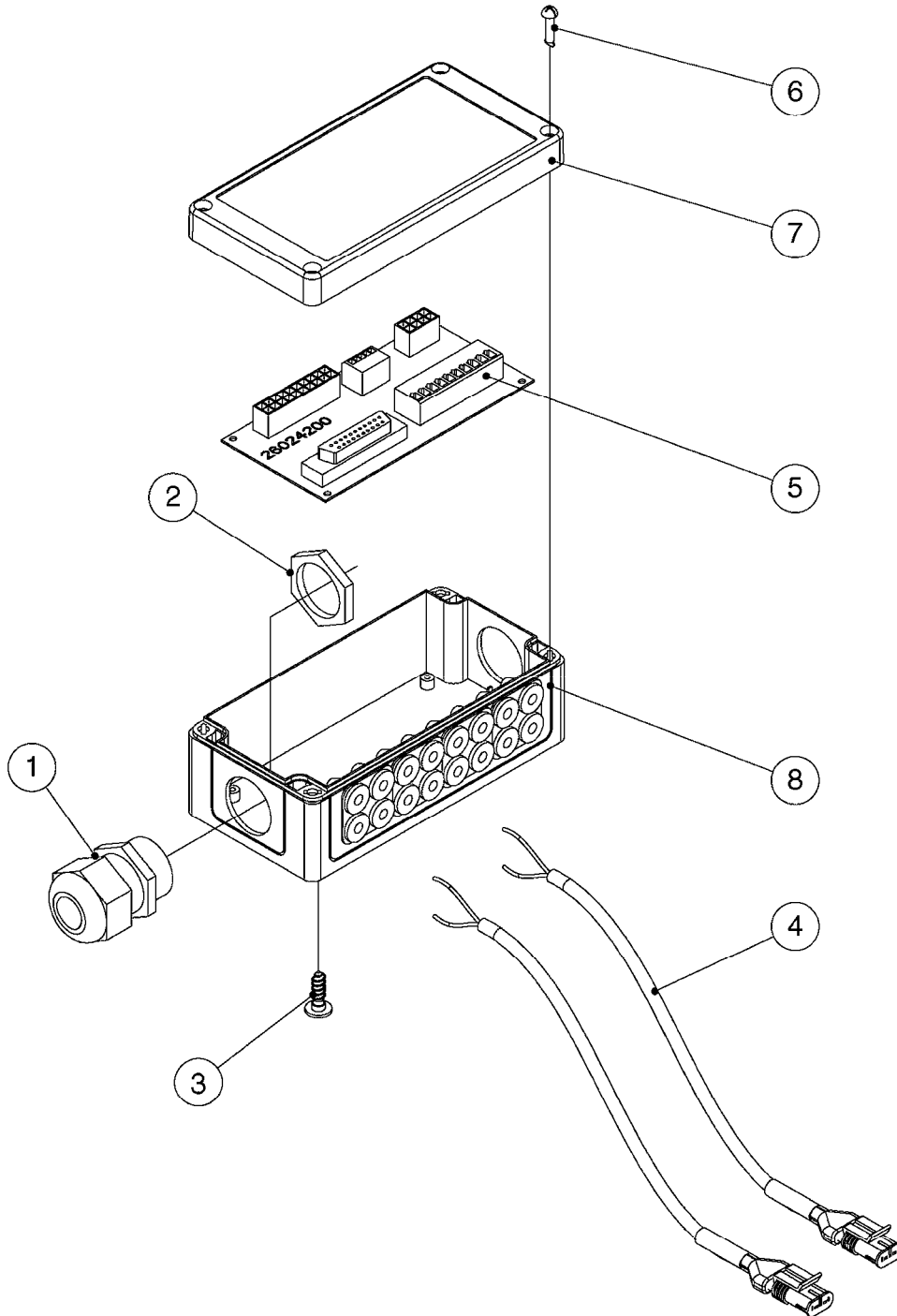


NORAC VAR. RATE VALVE UC4/UC5
M0380-HIN, 30:04:19

Page 1

Date 07.02.2020 10:05

| Pos. | parts-n° | order qty | description |
|------|----------|-----------|--------------------------------------|
| 1 | 28049403 | 1 | NORAC CHECK VALVE |
| 2 | 28055803 | 1 | NORAC SOLENOID - DEUTSCH CONN. |
| 3 | 28056503 | 1 | COIL, NORAC, PROP, DEUTSCH |
| 4 | 28066903 | 1 | NORAC SEAL KIT F.28049403 |
| 5 | 28067103 | 1 | NORAC HEX CAPSCREW 3/8X1-1/4" |
| 6 | 28067203 | 1 | NORAC FILTER CAP - 4 BOLT |
| 7 | 28067303 | 1 | KIT FILTER NORAC UC5 106285 |
| 8 | 28067403 | 1 | NORAC VALVE FILTER INSERT |
| 9 | 28067503 | 1 | NORAC CHECK VALVE C-8-2 |
| 10 | 28067603 | 1 | NORAC SEAL KIT F.28067503 |
| 11 | 28067703 | 1 | NORAC CHECK VALVE C-8-3 |
| 12 | 28067803 | 1 | NORAC SEAL KIT F.28067703 |
| 13 | 28067903 | 1 | NORAC CHECK VALVE C-8-4 |
| 14 | 28068003 | 1 | NORAC SEAL KIT F.28067903 |
| 15 | 28068103 | 1 | NORAC HEX CAPSCREW 10-24X2 SS |
| 16 | 28068203 | 1 | NORAC O-RING F.SOLENOID VALVE |
| 17 | 28074903 | 1 | NORAC COIL NUT AND O-RING |
| 18 | 28089903 | 1 | NORAC PLUG#2 SAE ZERO-LEAK |
| 19 | 28103603 | 1 | O-RING SOLENOID BODY SEAL NORAC |
| 20 | 78216100 | 1 | NORAC VALVE BLOCK COMP, DEUTSCH CON. |
| 21 | 78603300 | 1 | NORAC ONE WAY ORIFICE, .047" |



M0390

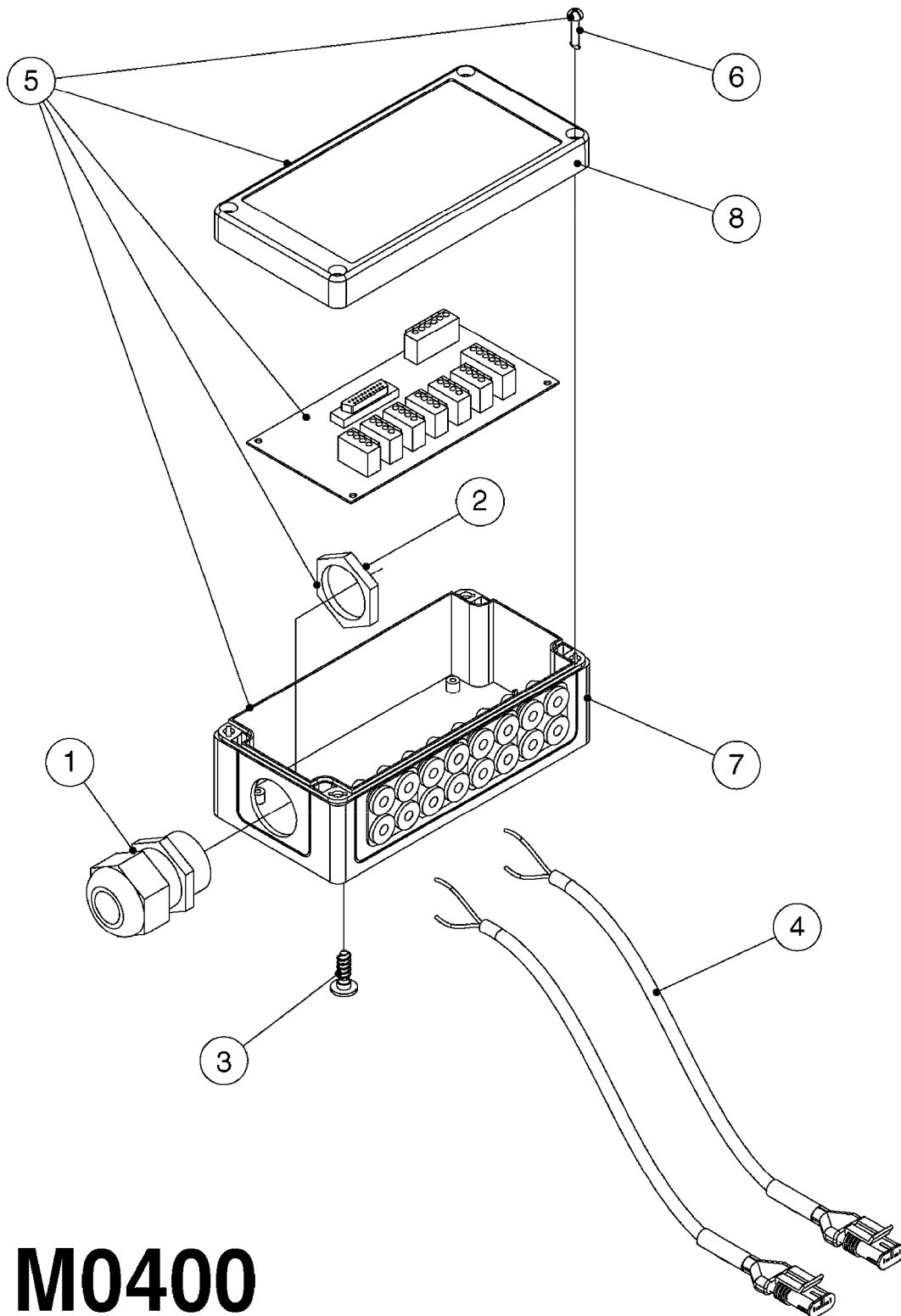


DHP BREAK OUT BOX 2007
M0390-HIN, 01:01:16

Page 1

Date 07.02.2020 10:05

| Pos. | parts-n° | order qty | description |
|------|----------|-----------|----------------------------------|
| 1 | 262106 | 1 | BULKHEAD F. CABLE 6.5-14 BLACK |
| 2 | 262107 | 1 | NUT F. BULKHEAD CABLE GRAY |
| 3 | 440675 | 1 | SCREW F. PLASTIC 5X16 SS |
| 4 | 26020100 | 1 | CABLE L = 1.50M, AMP, EXT, 2P |
| 5 | 26024200 | 1 | BREAK OUT PCB FOR HYDRAULICS |
| 6 | 28082100 | 1 | SCREW F. BOX LID 1/4" L=20 |
| 7 | 33508800 | 1 | LID 160X80X15 BLK W/SCREWS |
| 8 | 33514300 | 1 | BOX 160X80X40 BLACK 1+16+1 HOLES |



M0400

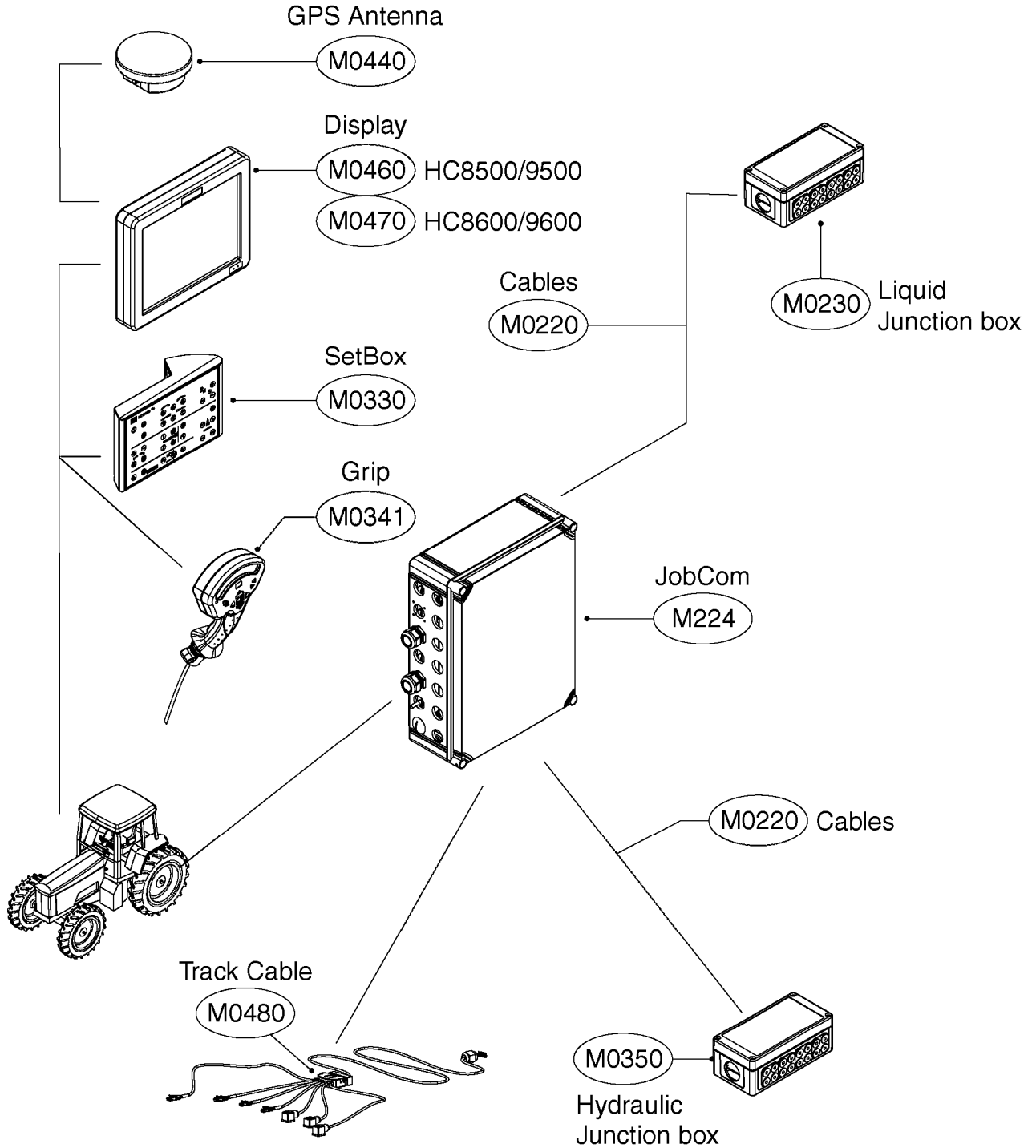


HYD. JUNCTION BOX 2012
M0400-HIN, 01:01:16

Page 1

Date 07.02.2020 10:05

| Pos. | parts-n° | order qty | description |
|------|----------|-----------|-----------------------------------|
| 1 | 262106 | 1 | BULKHEAD F. CABLE 6.5-14 BLACK |
| 2 | 262107 | 1 | NUT F. BULKHEAD CABLE GRAY |
| 3 | 440675 | 1 | SCREW F. PLASTIC 5X16 SS |
| 4 | 26006400 | 1 | CABLE L = 0.75M, AMP, MALE, 2P |
| 5 | 26018500 | 1 | HYD. BOX BOOM PCB NO LEADS |
| 6 | 28082100 | 1 | SCREW F. BOX LID 1/4" L=20 |
| 7 | 33508700 | 1 | BOX BOTTOM 160X80X40 BLACK 1-HOLE |
| 8 | 33508800 | 1 | LID 160X80X15 BLK W/SCREWS |



M0450

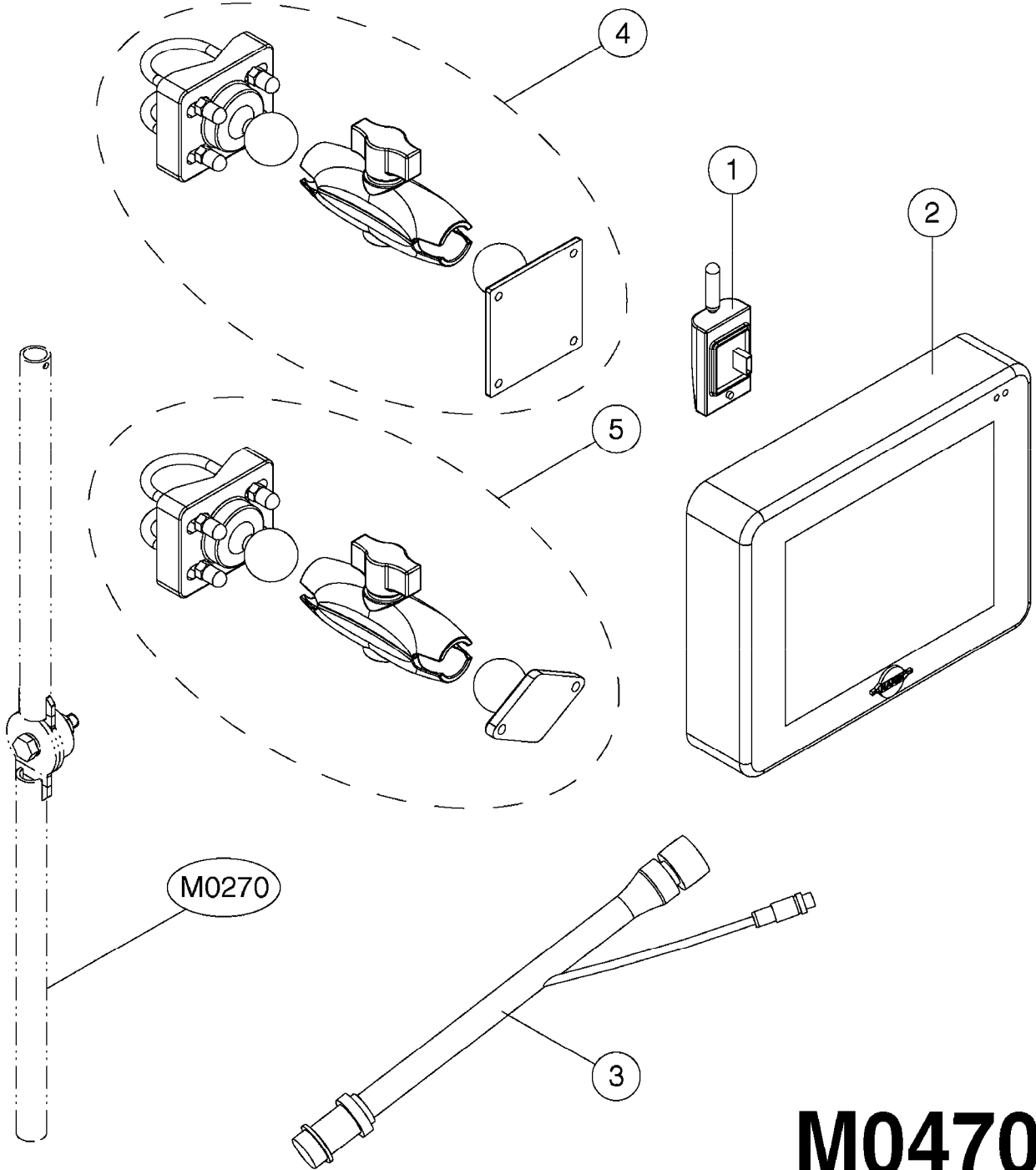


SYSTEM OVERVIEW HC8600/9600
M0450-HIN, 12:12:16

Page 1

Date 07.02.2020 10:05

| parts-n° | order qty | description |
|----------|--------------|-------------|
| | | |



M0470

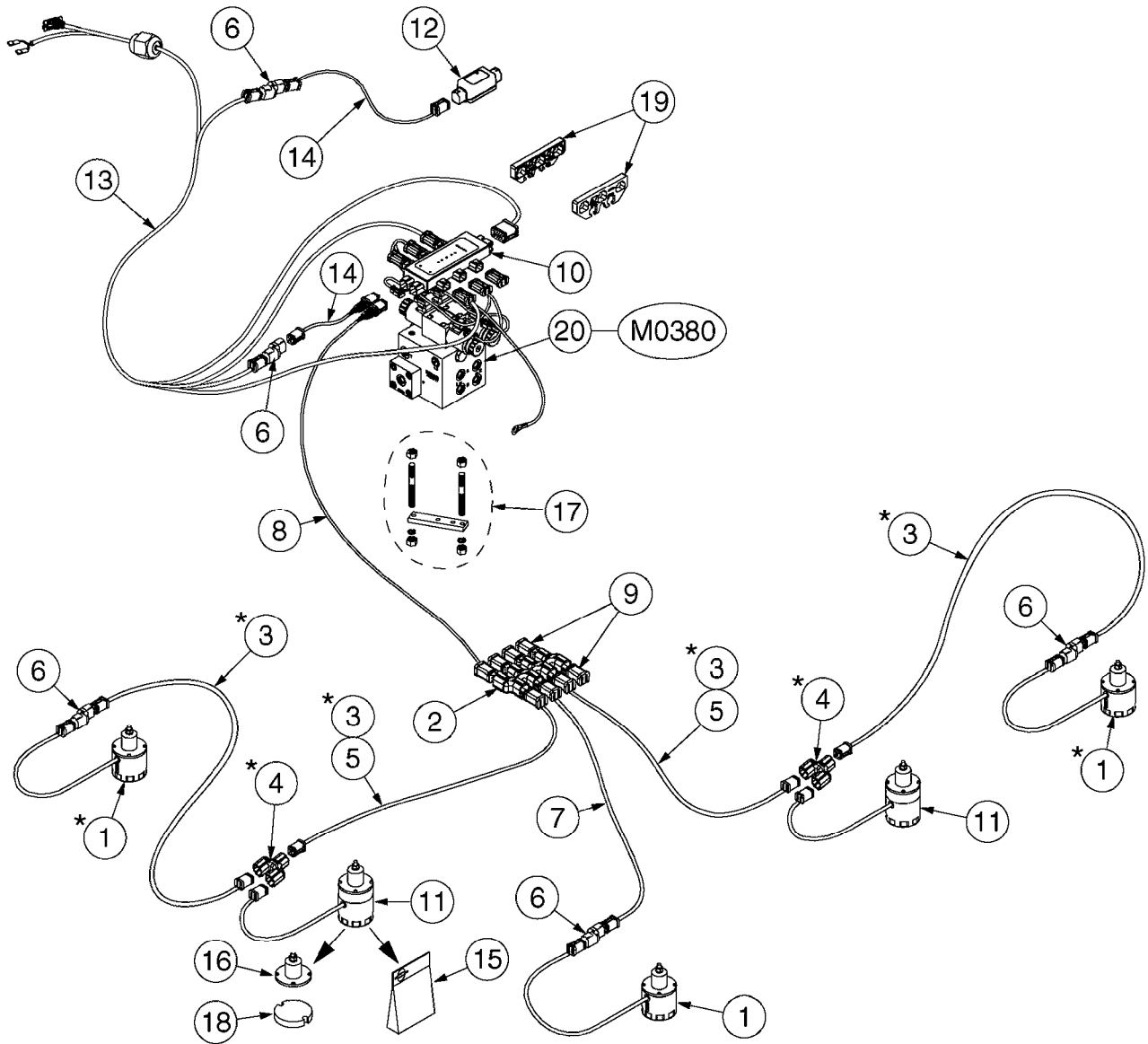


HC8600/9600 DISPLAY
M0470-HIN, 06:12:16

Page 1

Date 07.02.2020 10:05

| Pos. | parts-n° | order qty | description |
|------|----------|-----------|--|
| 1 | 26066000 | 1 | AGFINITI USB WI-FI ADAPTER KIT |
| 2 | 26068600 | 1 | DISPLAY KIT- HC 8600 |
| 2 | 26069600 | 1 | DISPLAY KIT- HC 9600 |
| 3 | 26069300 | 1 | HC9600/8600 to Legacy Adapter |
| 4 | 72802400 | 1 | RAM MOUNT KIT W/5" ARM STD BASE USE WITH 9600 DISPLAY |
| 5 | 73156900 | 1 | RAM MOUNT KIT W/5" ARM DIAMOND BASE USE WITH 8600 DISPLAY |



*WITH SEVERE TERRAIN INSTALLED

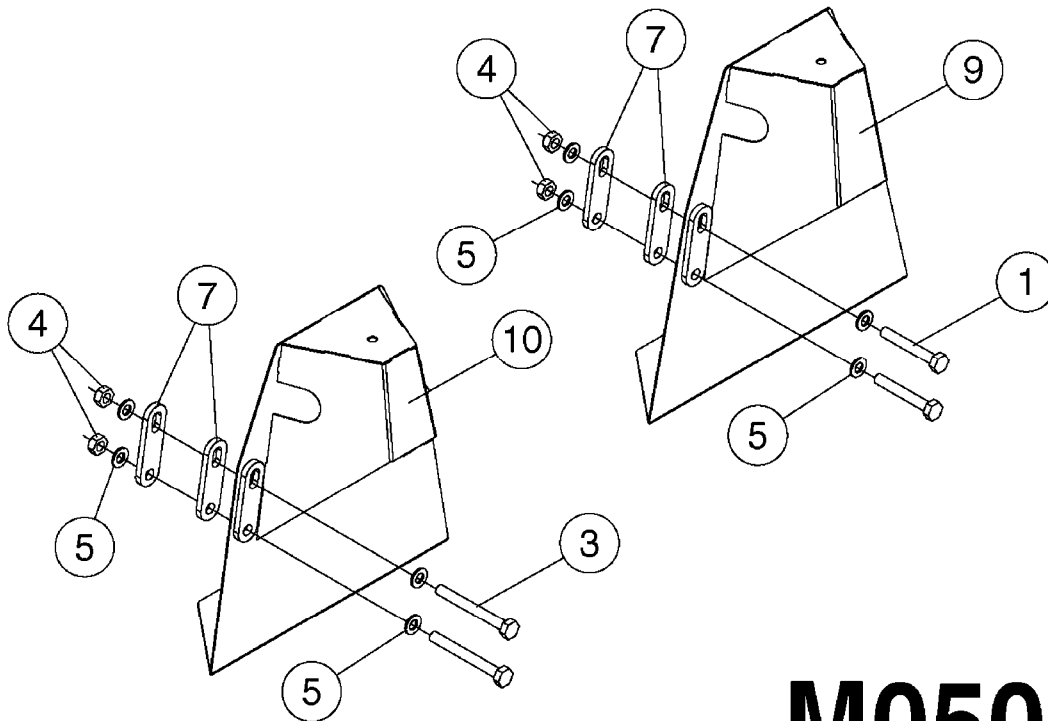
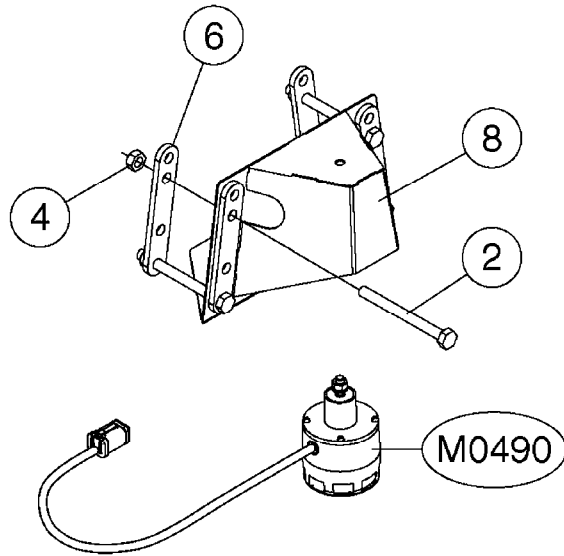
M0490



NORAC UC7 BOOM HEIGHT CONTROL
M0490-HIN, 13:03:19

Page 1
Date 07.02.2020 10:05

| Pos. | parts-n° | order qty | description |
|------|----------|-----------|--|
| 1 | 26043700 | 1 | SENSOR, NORAC, UC5, ULTRASONIC |
| 2 | 26043900 | 1 | NORAC UC5 NETWORK COUPLER 8-WAY |
| 3 | 26044000 | 1 | CABLE UC5 NETWORK 18 AWG 10M WITH SEVERE TERRAIN |
| 4 | 26044100 | 1 | NORAC UC5 NETWRK COUPLER 3-WAY |
| 5 | 26044200 | 1 | CABLE UC5 NETWORK 18 AWG 20M WITHOUT SEVERE TERRAIN |
| 6 | 26044400 | 1 | NORAC UC5 - UC7 COUPLER 2-WAY/TERM. |
| 7 | 26047100 | 1 | CABLE UC5 NETWORK 14 AWG 1M |
| 8 | 26049900 | 1 | CABLE UC5 NETWORK 14 AWG 3M |
| 9 | 26057900 | 1 | UC5 NETWORK 6 PIN PLUG |
| 10 | 26071500 | 1 | UC7. HCM1 MODULE |
| 11 | 26071600 | 1 | UC7. ULTRASONIC MAX SENSOR |
| 12 | 26071800 | 1 | UC7. CANBUS REPEATER |
| 13 | 26071900 | 1 | UC7. CABLE INTERFACE DAH09 |
| 14 | 26072200 | 1 | UC7. 0.5 METER CABLE |
| 15 | 26084700 | 1 | MESH KIT ULTRASONIC SENSOR FOR 2018 AND NEWER SENSORS |
| 15 | 28098003 | 1 | MESH AND CLIP KIT, NORAC FOR PRE-2018 SENSORS |
| 16 | 28050303 | 1 | NORAC RUBBER TOP&BOLT F.SENSOR DIA.30MMX30MMX8MM |
| 17 | 28055503 | 1 | NORAC VALVE MOUNTING HARDWARE |
| 18 | 28086600 | 1 | FOAM DISC F. SENSOR NORAC |
| 19 | 28097803 | 1 | MOUNTING CLIP HCM1 MODULE |
| 20 | 78216100 | 1 | NORAC VALVE BLOCK COMP, DEUTSCH CON. |



M0500

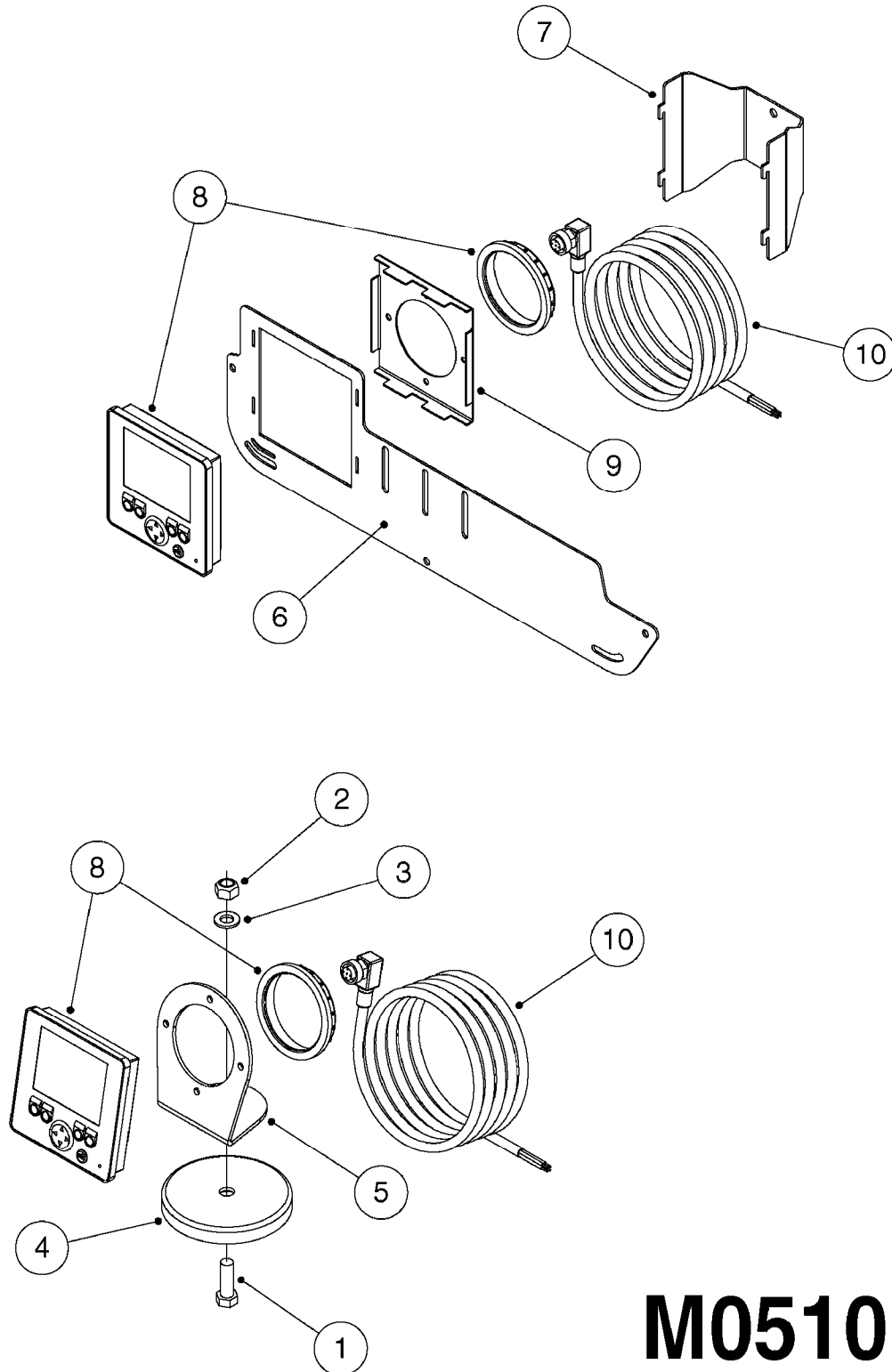


NORAC UC7 SENSOR BRACKETS
M0500-HIN, 26:06:17

Page 1

Date 07.02.2020 10:05

| Pos. | parts-n° | order qty | description |
|------|----------|-----------|--|
| 1 | 421164 | 1 | BOLT HEX 8.8 DEL M10X70 |
| 2 | 421212 | 1 | BOLT HEX 8.8 DEL M10X110 FT |
| 3 | 421218 | 1 | BOLT HEX 8.8 DEL M10X90 |
| 4 | 460423 | 1 | NUT HEX M10X1.50 LOCK DIN985A2 SS |
| 5 | 471122 | 1 | WASHER, M10, Ø20/10.5X 2.0, SS |
| 6 | 16204203 | 1 | NORAC SENSOR BRKT BACKER, MAIN LIFT, RED |
| 7 | 16213603 | 1 | PLATE, 1/4", FLAT, 25X86, 2 HOLE RED |
| 8 | 63047703 | 1 | NORAC SENSOR BRKT, MAIN LIFT, RED |
| 9 | 63052503 | 1 | NORAC TALL SENSOR BRKT, DTZ, RED |
| 10 | 63052603 | 1 | NORAC SENSOR BRKT, DTZ, RED |



M0510



REMOTE TANK GAUGE DISPLAY
M0510-HIN, 19:06:19

Page 1
Date 07.02.2020 10:05

| Pos. | parts-n° | order qty | description |
|------|----------|-----------|-------------------------------------|
| 1 | 421046 | 1 | BOLT HEX M8X25/25 A2 SS DIN933 |
| 2 | 460143 | 1 | SELF LOCK NUT M8 SST A2 DIN985 |
| 3 | 471126 | 1 | WASHER, M8, Ø16/ 8.4X 1.6, SS |
| 4 | 10536703 | 1 | MAGNETIC BASE D3,2'/90LB |
| 5 | 16208803 | 1 | BRACKET F. EL TANK GAUGE, MAG, RED |
| 6 | 16210103 | 1 | BRACKET F. EL TANK GAUGE, CM11, RED |
| 7 | 16210303 | 1 | BACK COVER F. EL TANK GAUGE, RED |
| 8 | 26033603 | 1 | DISPLAY, 2.8" HMI, IFM, 1-CAN |
| 9 | 26033803 | 1 | DISPLAY FITTING PANEL, IFM |
| 10 | 26033903 | 1 | CABLE, M12, 120 OHM, 5M, IFM |