



Agroparts: www.HARDI-INTERNATIONAL.com

Commander 4400/6600/9000 2400
Gallon Force 80', 88', 90',
100', 120', 132'

Country-Code 11

Date 07.02.2020 10:25





Commander 4400/6600/9000 2400
Gallon Force 80', 88', 90',
100', 120', 132'

Page 0.1

Date 07.02.2020 10:25

| main group | page-n° | date | description |
|--------------------------------|-----------|---------------------------------|---------------------------------------|
| Pumps | A0330-HIN | 01:01:16 | PUMP - 463 W/ MOUNTING BASE |
| | A0340-HIN | 01:01:16 | PUMP - 463/1000 RPM W/MOUNTING |
| | A0350-HIN | 23:04:19 | PUMP - 464 540/1000 RPM |
| | A0380-HIN | 07:11:16 | PUMP - 463 FLEX CAPACITY |
| | A0390-HIN | 28:05:19 | PUMP - 460/462/463 FITTINGS |
| | A0560-HIN | 23:10:18 | C.V.PTO-BLACK TRIANG.(POST'05) |
| | A0610-HIN | 23:10:18 | C.V. PTO SHAFTS - BONDIOLI G-SERIES |
| System overview | AA101-HIN | 01:01:16 | COMMANDER 6600/9000 OVERVIEW |
| Controls, Filters, Valves | B0320-HIN | 08:04:19 | EFC BOOM VALVES |
| | B0370-HIN | 12:05:16 | PRESSURE REGULATOR - S93 06 |
| | B0430-HIN | 12:09:19 | MANIFOLD - S67 VALVE |
| | B0500-HIN | 28:01:19 | SMART VALVE S67 S93 (07) |
| | B0610-HIN | 04:01:18 | CHECK VALVES - S40 |
| | B0620-HIN | 01:01:16 | CHECK VALVES - S53 |
| | B0630-HIN | 31:07:19 | CHECK VALVES - S67 |
| | B0640-HIN | 15:10:19 | CHECK VALVES - S67 (2011) |
| | B0720-HIN | 01:01:16 | EASY CLEAN FILTER |
| | B0730-HIN | 01:01:16 | PRESSURE FILTER - CYCLONE |
| Hydraulics | B0750-HIN | 16:07:19 | NCM 8500-10000 MANIFOLD |
| | C0020-HIN | 01:01:16 | HYDRAULICS - CYLINDERS |
| | C0030-HIN | 01:01:16 | HYDRAULICS - FAROIL CYLINDERS |
| | C0040-HIN | 01:10:19 | HYDRAULICS - CYLINDERS (07) |
| | C0045-HIN | 24:03:16 | HYDRAULICS - BSP TO ORFS |
| | C0570-HIN | 13:05:19 | HYD.BLOCK EAGLE/FORCE PRE 2012 |
| | C0580-HIN | 01:01:16 | CETOP VALVES |
| | C0590-HIN | 13:05:19 | HYD.BLOCK EAGLE/FORCE 2012 |
| | C0620-HIN | 14:05:19 | BASIC HYDRAULICS NCM 9000 |
| | C0650-HIN | 17:11:17 | HYDRAULICS FORCE 80'-100' (PRE '06) |
| | C0651-HIN | 09:01:18 | HYDRAULICS FORCE 80'-100' (POST '06) |
| | C0660-HIN | 17:11:17 | HYDRAULICS FORCE 120'-132' (PRE '06) |
| | C0661-HIN | 18:08:17 | HYDRAULICS FORCE 120'-132' (POST '06) |
| | C0910-HIN | 13:05:19 | HYDRAULIC SOLENOIDS |
| | C0920-HIN | 05:06:19 | HYD. DAMPER, LOCKING CYLINDER |
| Booms, Nozzle Bodies & Tubes | D0560-HIN | 01:01:16 | TRANSPORT BKTS - NCM/NAVIGATOR |
| | D0700-HIN | 01:01:16 | BOOM FORCE/TWIN FORCE LIFT F |
| | D0740-HIN | 05:06:19 | WIDE CENTER FRAME-FORCE/TF |
| | D0750-HIN | 01:01:16 | BOOM-FORCE INNER WING 80'-132' |
| | D0760-HIN | 01:01:16 | BOOM-FORCE OUTER WING 110-132' |
| | D0770-HIN | 01:01:16 | BOOM-FORCE BREAKAWAY 80'-132' |
| | D0780-HIN | 01:01:16 | BOOM-FORCE INNER 100' BI-FOLD |
| | D0790-HIN | 01:01:16 | BOOM-FORCE OUTER 100' BI-FOLD |
| | D0860-HIN | 01:01:16 | BOOM WHEEL,FTZ,HD,AIR-BAG |
| | D1000-HIN | 01:01:16 | BOOM-NOZZLES 110° FLAT FAN ISO |
| | D1010-HIN | 01:01:16 | BOOM-NOZZLES 110° LOWDRIFT ISO |
| | D1020-HIN | 01:01:16 | BOOM-NOZZLES 80° FLAT FAN ISO |
| | D1030-HIN | 28:11:17 | BOOM-NOZZLE CAPS AND FILTERS |
| | D1040-HIN | 01:01:16 | BOOM-NOZZLES INJET |
| | D1050-HIN | 01:01:16 | BOOM-NOZZLES MINIDRIFT |
| | D1060-HIN | 01:01:16 | BOOM-NOZZLES QUINTASTREAM |
| | D1100-HIN | 01:01:16 | DOUBLE NOZZLE HOLDER-SNAP FIT |
| D1120-HIN | 01:01:16 | NZZL TUBES&FITTINGS-STNLS STEEL | |
| Tank and Frame: Field Sprayers | E0790-HIN | 06:07:17 | HUB ASSEMBLY F.4-1/2" SPINDLE |



Commander 4400/6600/9000 2400
 Gallon Force 80', 88', 90',
 100', 120', 132'

Page 0.2

Date 07.02.2020 10:25

| main group | page-n° | date | description |
|---------------------------|-----------|--------------------------------|---------------------------------|
| Special equipment, Extras | E0810-HIN | 01:01:16 | CAMOPLAST TRACK 40 SERIES |
| | E0815-HIN | 21:08:19 | CAMOPLAST SPEED SENSOR |
| | E0830-HIN | 01:01:16 | CAMOPLAST FRAME 40 SERIES |
| | E0840-HIN | 01:01:16 | CAMOPLAST TENSION LINK ASSY. |
| | E0850-HIN | 01:01:16 | CAMOPLAST TENSIONER ASSEMBLY |
| | E0860-HIN | 01:01:16 | CAMOPLAST ALIGNMENT ASSEMBLY |
| | E0880-HIN | 01:01:16 | CAMOPLAST BOGIE MID-ROLLER 40 |
| | E0890-HIN | 01:01:16 | CAMOPLAST HUB ASSEMBLY - IDLER |
| | E0900-HIN | 01:01:16 | CAMOPLAST HUB ASSY. MID-ROLLER |
| | E0980-HIN | 01:01:16 | TANK NCM 4400/6600/9000 |
| | E0990-HIN | 15:05:19 | LOCKER & CLEAN WATER TANK NCM |
| | E1000-HIN | 01:01:16 | SHIELDS NCM 4400/6600/9000 |
| | E1080-HIN | 31:03:16 | DRAWBAR - NCM 9000 |
| | E1090-HIN | 01:01:16 | FRAME - NCM 9000 |
| | E1100-HIN | 01:01:16 | PARALIFT - NCM 9000 |
| | E1110-HIN | 25:02:19 | NCM 9000 SUSPENDED AXLE |
| Fittings | K0110-HIN | 28:11:17 | CHEMICAL FILLER-HOPPER NCM |
| | K0180-HIN | 01:01:16 | DRAIN ASSEMBLY-PULL CORD TYPE |
| | K0230-HIN | 01:01:16 | END NOZZLE KIT |
| | K0250-HIN | 01:01:16 | ELECTRIC END NOZZLE KIT '09 |
| | K0260-HIN | 01:01:16 | ELECTRIC END NOZZLE KIT '12 |
| | K0270-HIN | 28:09:16 | FILTER ASSEMBLIES-IN LINE |
| | K0370-HIN | 01:01:16 | FLUSH SYSTEM - NCM/NAVIGATOR |
| | K0400-HIN | 01:01:16 | FOAM MARKER COMPRESSOR 2007 |
| | K0430-HIN | 05:12:19 | FOAMMARKER TANK/DROPPER 2000 |
| | K0470-HIN | 07:08:19 | FOAM MARKER TANK - NCM/NAV |
| | K0471-HIN | 22:10:18 | FOAM MARKER - RICHWAY COMMANDER |
| | K0476-HIN | 26:02:18 | FOAM MARKER - DROPPER RICHWAY |
| | K0500-HIN | 01:01:16 | HOSE REEL - COMMANDER |
| | K0560-HIN | 01:01:16 | PRESSURE GAUGES |
| K0610-HIN | 01:01:16 | QUICKFILL-VALVES-BANJO 2" & 3" | |
| K0740-HIN | 01:01:16 | RINSE SYSTEM NOZZLE - LOW MOD. | |
| Electrical Equipment | L0010-HIN | 01:01:16 | FITTINGS-CAP NUTS & HOSE BARBS |
| | L0020-HIN | 01:01:16 | FITTINGS-T-PIECES,CAPS & ELBOWS |
| | L0030-HIN | 01:01:16 | FITTINGS - HEXAGON NIPPLES |
| | L0040-HIN | 01:01:16 | FITTINGS - NIPPLES & ELBOWS |
| | L0050-HIN | 01:01:16 | FITTINGS - HOSE CONNECTORS |
| | L0060-HIN | 01:01:16 | FITTINGS - BULKHEAD |
| | L0070-HIN | 13:09:17 | FITTINGS - S-40 |
| | L0080-HIN | 12:09:17 | FITTINGS - S-53 |
| | L0090-HIN | 01:01:16 | FITTINGS - S-56 & S-61 |
| | L0100-HIN | 21:06:18 | FITTINGS - S-67 |
| | L0110-HIN | 13:09:17 | FITTINGS - S-93 |
| | L0120-HIN | 17:10:19 | BULK HOSE |
| | L0130-HIN | 16:10:19 | HOSE CLAMPS |
| | M0010-HIN | 01:01:16 | BOOM AND WORKING LIGHT KIT |
| | M0020-HIN | 11:12:17 | BOOM AND WORKING LIGHT KIT 09 |
| | M0030-HIN | 01:01:16 | CFX-750 DISPLAY, DGPS |
| | M0040-HIN | 01:01:16 | EZ-GUIDE PLUS LIGHT BAR |
| | M0050-HIN | 01:01:16 | EZ-STEER STEERING SYSTEM |
| | M0060-HIN | 01:01:16 | EZ-GUIDE 500 LIGHTBAR |
| | M0070-HIN | 01:01:16 | EZ-STEER 500 STEERING SYSTEM |
| | M0080-HIN | 01:01:16 | EZ-GUIDE 250 LIGHTBAR |
| | M0130-HIN | 12:12:16 | COMMON SENSORS AND BRACKETS |
| | M0140-HIN | 01:01:16 | PRESSURE SENSOR - AMP |



Commander 4400/6600/9000 2400
 Gallon Force 80', 88', 90',
 100', 120', 132'

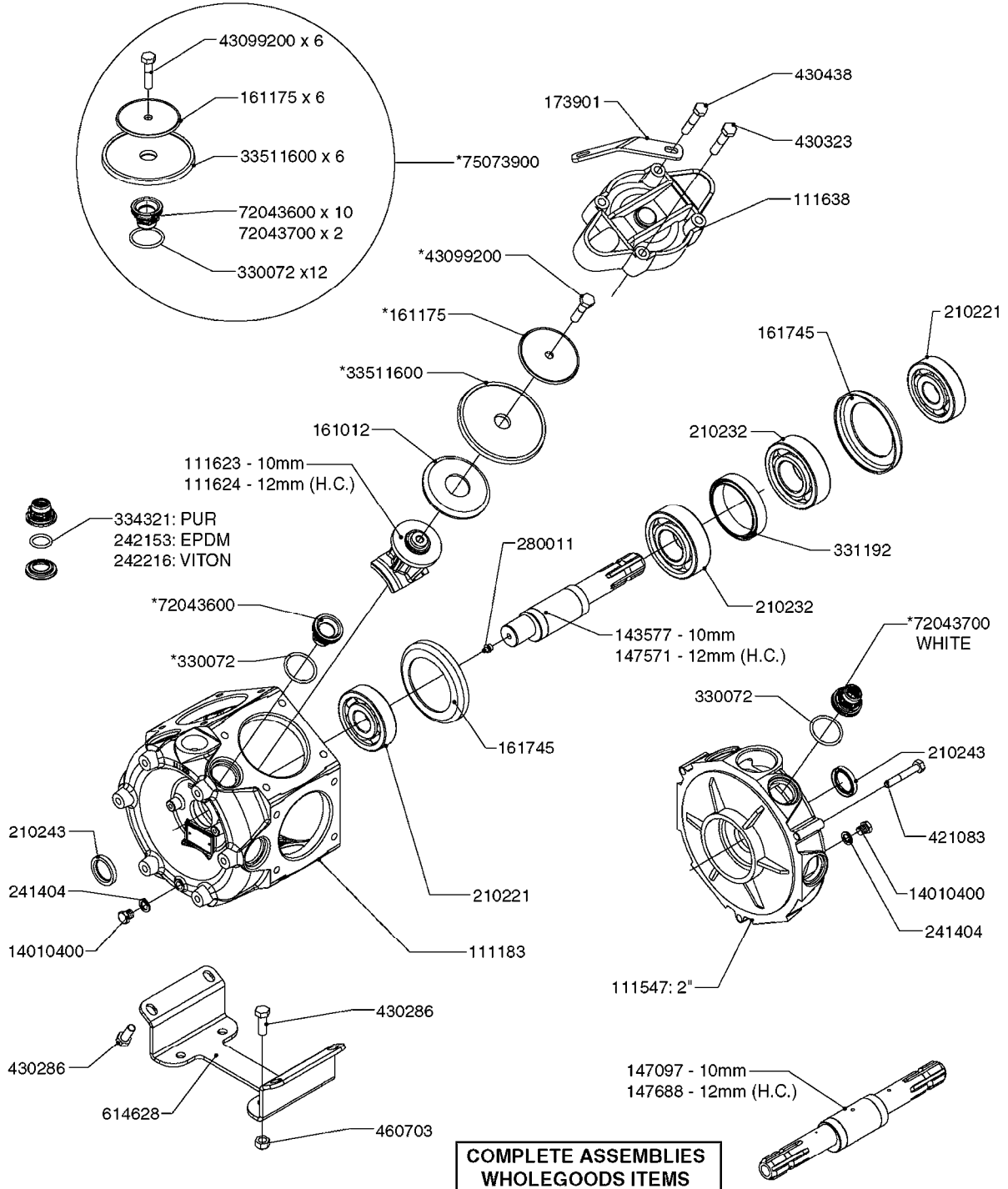
Page 0.3

Date 07.02.2020 10:25

| main group | page-n° | date | description |
|------------|-----------|----------|-------------------------------|
| | M0150-HIN | 01:01:16 | ANGLE SENSOR NCM |
| | M0160-HIN | 13:08:19 | TRAFFIC LIGHT KIT |
| | M0180-HIN | 01:01:16 | SYSTEM OVERVIEW HC5500 |
| | M0190-HIN | 01:01:16 | DISPLAY HC 5500 |
| | M0200-HIN | 23:06:16 | SPRAYBOX II |
| | M0210-HIN | 30:05:17 | HYDRAULIC CONTROL BOX 39-PIN |
| | M0220-HIN | 12:05:18 | CABLES |
| | M0230-HIN | 01:01:16 | JUNCTION BOX - LIQUID |
| | M0240-HIN | 01:01:16 | POWER SUPPLY CABLES |
| | M0250-HIN | 01:02:17 | JOB COM AND BREAK OUT |
| | M0270-HIN | 01:01:16 | HC 5500 ACCESSORIES |
| | M0280-HIN | 28:03:17 | 39 PIN CABLES |
| | M0290-HIN | 01:01:16 | NORAC UC4 BOOM HEIGHT CONTROL |
| | M0300-HIN | 30:04:19 | NORAC VARIABLE RATE VALVE UC4 |
| | M0350-HIN | 15:07:19 | JUNCTION BOXES - HYDRAULIC |
| | M0360-HIN | 01:01:16 | NORAC SEVERE TERRAIN KIT |
| | M0370-HIN | 16:10:18 | NORAC UC5 BOOM HEIGHT CONTROL |
| | M0380-HIN | 30:04:19 | NORAC VAR. RATE VALVE UC4/UC5 |
| | M0400-HIN | 01:01:16 | HYD. JUNCTION BOX 2012 |



PUMP REPAIR KIT



**COMPLETE ASSEMBLIES
WHOLEGOODS ITEMS**

COMPLETE PUMPS

- 821587 - 463/10 2" W/THROUGH SHAFT (540 RPM)
- 82166300 - 463/12 2" (540 RPM H.C. INLINE PORTS)
- 463/12 2" (540 RPM H.C. OFFSET PORTS) REPLACED BY 82168700 (PAGE A0350)

A0330

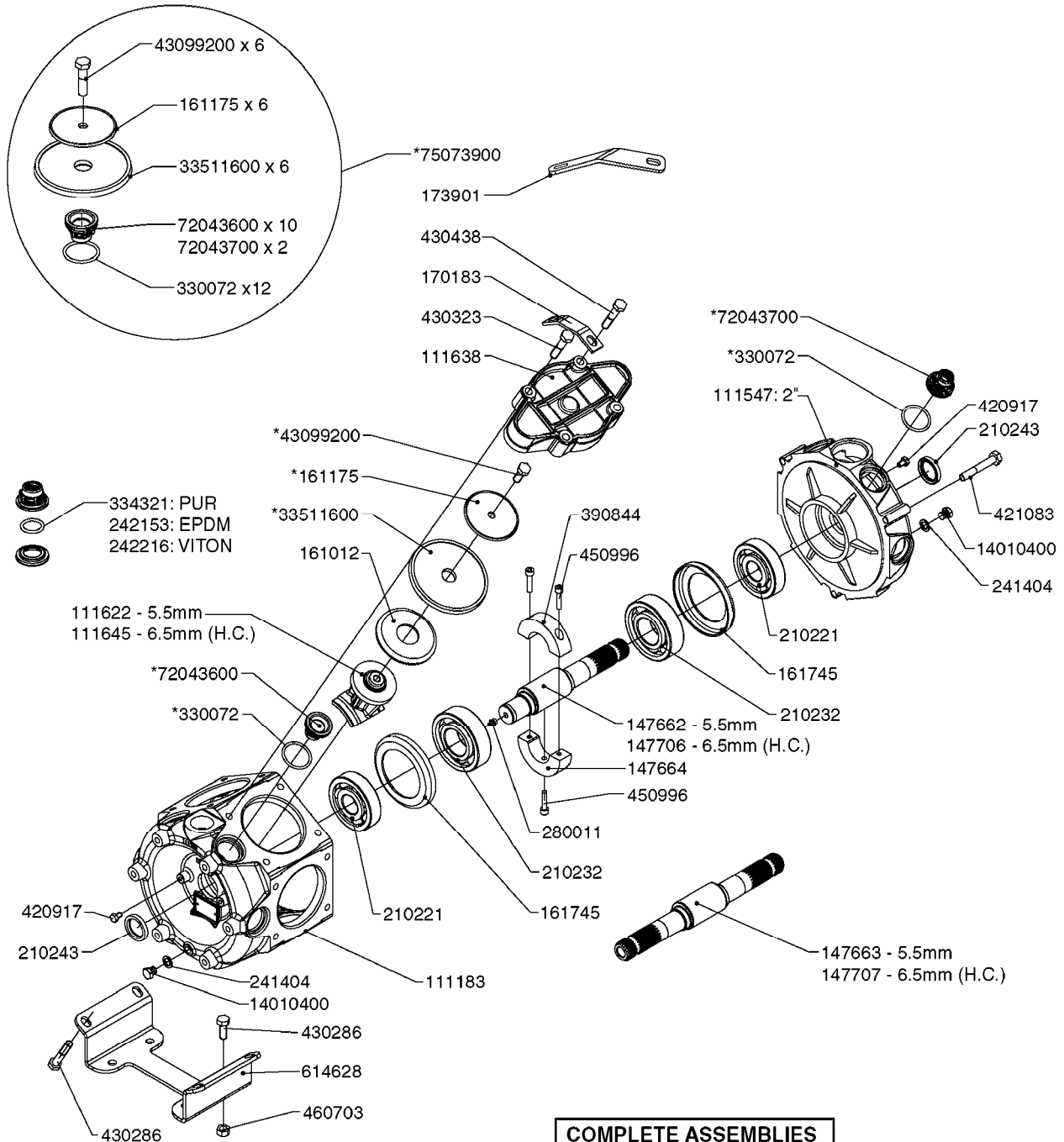


PUMP - 463 W/ MOUNTING BASE
A0330-HIN, 01:01:16

Page 1

Date 07.02.2020 10:25

| parts-n° | order qty | description |
|----------|-----------|-----------------------------------|
| 111183 | 1 | PUMP CASTING 460-463 (PAINTED) |
| 111547 | 1 | PUMP FRONT 460-463-2' (PAINT) |
| 111623 | 1 | CONNECTING ROD 463/10MM |
| 111624 | 1 | CONNECTING ROD 463/12MM |
| 111638 | 1 | VALVE COVER 463 HC+1000 VERS. |
| 143577 | 1 | CRANK SHAFT F.363/462/463-10mm |
| 147097 | 1 | CRANK SHAFT 363-463/10 THROUGH |
| 147571 | 1 | CRANK SHAFT F.463-12mm |
| 147688 | 1 | CRANK SHAFT 462/12 THROUGH |
| 161012 | 1 | DIAPHRAGM BACKING DISC F. 463 |
| 161175 | 1 | DIAPHRAGM DISC 463/464 PUMP |
| 161745 | 1 | METAL SPACER F.363/463 |
| 173901 | 1 | LIFT STRAP F.PUMP 463 |
| 210221 | 1 | BEARING BALL 6407 |
| 210232 | 1 | BEARING BALL 6310 |
| 210243 | 1 | SEAL OIL 35 X 47 X 7 |
| 241404 | 1 | DOWTY SEAL 1/4" |
| 242153 | 1 | O-RING D26X4 EPDM |
| 242216 | 1 | O-RING VITON F/1202/1302/462 |
| 280011 | 1 | GREASE NIPPLE 1/8' SAE H TR |
| 330072 | 1 | O-RING D53.5/D45.5X4 |
| 331192 | 1 | SPACER, MODEL 361/363 |
| 334321 | 1 | O-RING POLY. 34.0x26.0x4.0 |
| 421083 | 1 | BOLT HEX 8.8 DEL M10X65 |
| 430286 | 1 | BOLT HEX 8.8 DEL M12X30 FT |
| 430323 | 1 | BOLT HEX 8.8 DEL M12X60 |
| 430438 | 1 | BOLT HEX 8.8 DEL M12X65 |
| 460703 | 1 | NUT HEX M12X1.75 LOCK DIN985A2 SS |
| 614628 | 1 | FOOT F. 46X PUMP, RED |
| 821587 | 1 | PUMP 463/10 THROUGH SHAFT TWNF |
| 14010400 | 1 | PLUG 1/4" BSP |
| 33511600 | 1 | DIAPHRAGM PUMP 463/464 PUMP PUR |
| 43099200 | 1 | BOLT HEX SS M12 X 30 DIN933 A4 |
| 72043600 | 1 | VALVE FOR 462/463 |
| 72043700 | 1 | VALVE FOR 462/463 W.VENT HOLE |
| 75073900 | 1 | PUMP KIT 460/463 "06" |
| 82166300 | 1 | PUMP 464-12-MED-2-540 |
| 82168700 | 1 | PUMP 464-12 540 OFFSET PORTS |



**COMPLETE ASSEMBLIES
WHOLEGOODS ITEMS**

COMPLETE PUMPS

- 821585 - 463/5.5 W/THROUGH SHAFT (1000 RPM)
- 821587 - 463/10 W/THROUGH SHAFT (540 RPM)
- 82169400 - 464/6.5 (1000 RPM - H.C. INLINE PORTS)
- 72293300 - 463/6.5 W/THROUGH SHAFT (1000 RPM)
- 463/12 (540 RPM H.C. OFFSET PORTS) REPLACED BY 82168700 (PAGE A0350)
- 463/6.5 (1000 RPM H.C. OFFSET PORTS) REPLACED BY 82168800 (PAGE A0350)

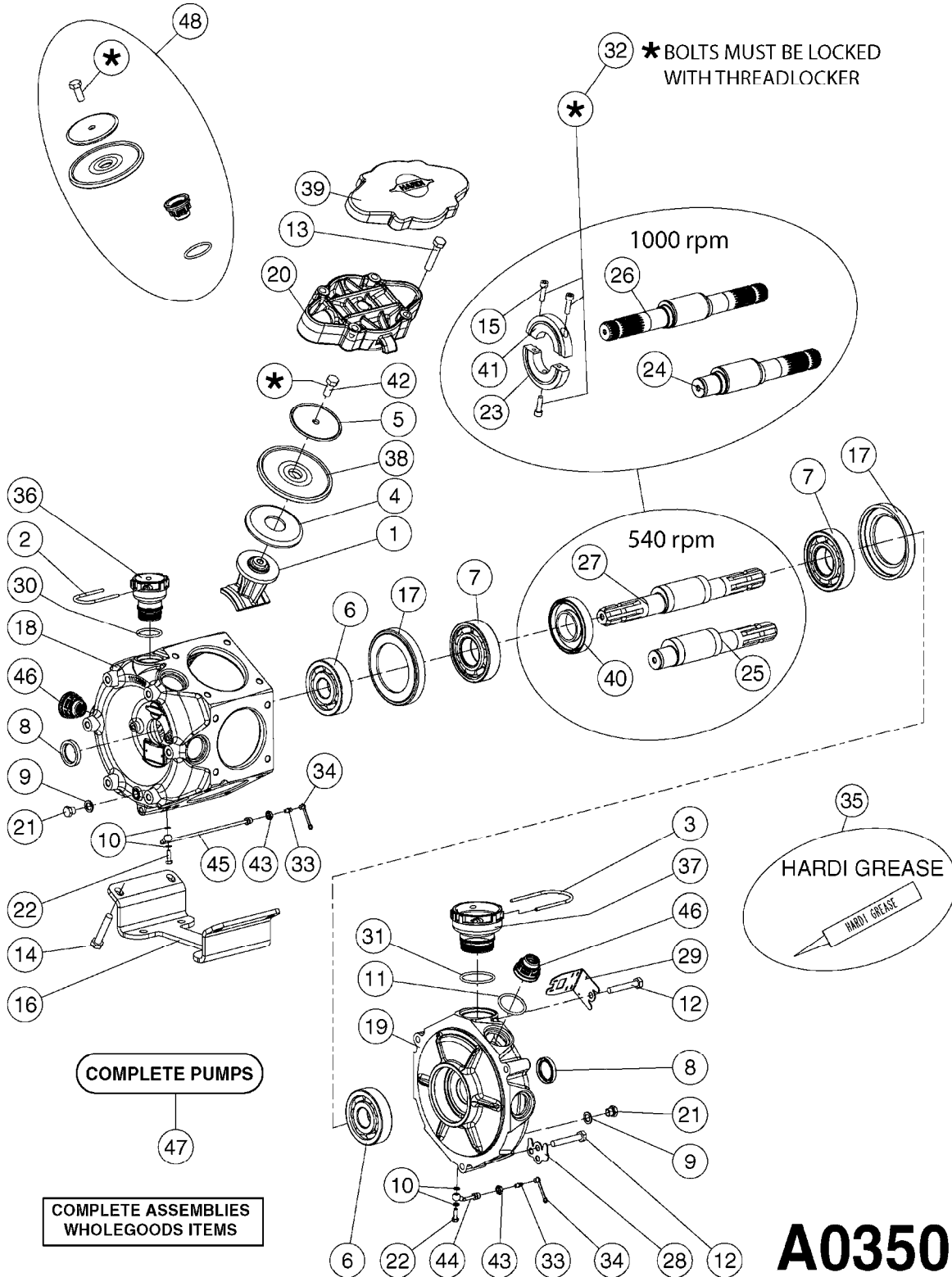
A0340



PUMP - 463/1000 RPM W/MOUNTING
A0340-HIN, 01:01:16

Page 1
Date 07.02.2020 10:25

| parts-n° | order qty | description |
|----------|-----------|-----------------------------------|
| 111183 | 1 | PUMP CASTING 460-463 (PAINTED) |
| 111547 | 1 | PUMP FRONT 460-463-2' (PAINT) |
| 111622 | 1 | CONNECTING ROD 463/5.5MM |
| 111638 | 1 | VALVE COVER 463 HC+1000 VERS. |
| 111645 | 1 | CONNECTING ROD 463/6.5MM |
| 147662 | 1 | CRANK SHAFT F.363/463-5.5MM |
| 147663 | 1 | CRANK SHAFT 363/463-5.5 THROUG |
| 147664 | 1 | COUNTERBALANCE 363/463 WEIGHT |
| 147706 | 1 | CRANK SHAFT F.363/463-6.5MM |
| 147707 | 1 | CRANK SHAFT 363/463-6.5 THROUG |
| 161012 | 1 | DIAPHRAGM BACKING DISC F. 463 |
| 161175 | 1 | DIAPHRAGM DISC 463/464 PUMP |
| 161745 | 1 | METAL SPACER F.363/463 |
| 170183 | 1 | LIFT STRAP F.PUMP 360/361/462 |
| 173901 | 1 | LIFT STRAP F.PUMP 463 |
| 210221 | 1 | BEARING BALL 6407 |
| 210232 | 1 | BEARING BALL 6310 |
| 210243 | 1 | SEAL OIL 35 X 47 X 7 |
| 241404 | 1 | DOWTY SEAL 1/4" |
| 242153 | 1 | O-RING D26X4 EPDM |
| 242216 | 1 | O-RING VITON F/1202/1302/462 |
| 280011 | 1 | GREASE NIPPLE 1/8' SAE H TR |
| 330072 | 1 | O-RING D53.5/D45.5X4 |
| 334321 | 1 | O-RING POLY. 34.0x26.0x4.0 |
| 390844 | 1 | COUNTERBALANCE 363/463 POM |
| 420917 | 1 | BOLT HEX 8.8 RAW M8X12 FT |
| 421083 | 1 | BOLT HEX 8.8 DEL M10X65 |
| 430286 | 1 | BOLT HEX 8.8 DEL M12X30 FT |
| 430323 | 1 | BOLT HEX 8.8 DEL M12X60 |
| 430438 | 1 | BOLT HEX 8.8 DEL M12X65 |
| 450996 | 1 | BOLT ALLEN M8X35 DIN 912 RAW |
| 460703 | 1 | NUT HEX M12X1.75 LOCK DIN985A2 SS |
| 614628 | 1 | FOOT F. 46X PUMP, RED |
| 821585 | 1 | PUMP 463/5.5 THRGH SHAFT 1000R |
| 821587 | 1 | PUMP 463/10 THROUGH SHAFT TWNF |
| 14010400 | 1 | PLUG 1/4" BSP |
| 33511600 | 1 | DIAPHRAGM PUMP 463/464 PUMP PUR |
| 43099200 | 1 | BOLT HEX SS M12 X 30 DIN933 A4 |
| 72043600 | 1 | VALVE FOR 462/463 |
| 72043700 | 1 | VALVE FOR 462/463 W.VENT HOLE |
| 72293300 | 1 | PUMP 463/6.5 MED-2-1000-GG |
| 75073900 | 1 | PUMP KIT 460/463 "06" |
| 82168700 | 1 | PUMP 464-12 540 OFFSET PORTS |
| 82168800 | 1 | PUMP 464 6.5 1000 OFFSET PORTS |
| 82169400 | 1 | PUMP 464-6.5-STD-2-1000 FK |





PUMP - 464 540/1000 RPM
A0350-HIN, 23:04:19

Page 1
Date 07.02.2020 10:25

| Pos. | parts-n° | order qty | description |
|------|----------|-----------|--------------------------------------|
| 1 | 111622 | 1 | CONNECTING ROD 463/5.5MM |
| 1 | 111623 | 1 | CONNECTING ROD 463/10MM |
| 1 | 111624 | 1 | CONNECTING ROD 463/12MM |
| 1 | 111645 | 1 | CONNECTING ROD 463/6.5MM |
| 2 | 145996 | 1 | FITT.DK S-67 FORK |
| 3 | 145997 | 1 | FITT.DK S-93 FORK |
| 4 | 161012 | 1 | DIAPHRAGM BACKING DISC F. 463 |
| 5 | 161175 | 1 | DIAPHRAGM DISC 463/464 PUMP |
| 6 | 210221 | 1 | BEARING BALL 6407 |
| 7 | 210232 | 1 | BEARING BALL 6310 |
| 8 | 210243 | 1 | SEAL OIL 35 X 47 X 7 |
| 9 | 241404 | 1 | DOWTY SEAL 1/4" |
| 10 | 242374 | 1 | WASHER Ø10/Ø6X1 COPPER |
| 11 | 330072 | 1 | O-RING D53.5/D45.5X4 |
| 12 | 421072 | 1 | BOLT HEX 8.8 RAW M10X65 |
| 13 | 430312 | 1 | BOLT HEX 8.8 M12X60 |
| 14 | 430438 | 1 | BOLT HEX 8.8 DEL M12X65 |
| 15 | 450995 | 1 | BOLT ALLEN M8X30 DIN 912 RAW |
| 16 | 614628 | 1 | FOOT F. 46X PUMP, RED |
| 16 | 16410800 | 1 | PUMP BASE 463/464 BLACK |
| 17 | 11171900 | 1 | CONROD RING 364/464 MACHINED |
| 18 | 11172200 | 1 | PUMP HOUSE 464 MACHINED 5/4" BSP RED |
| 19 | 11172600 | 1 | FRONTPART 464 MACHINED 2" BSP RED |
| 20 | 11173000 | 1 | VALVE COVER.463/464 MACHINED RED |
| 21 | 14010400 | 1 | PLUG 1/4" BSP |
| 22 | 14120400 | 1 | BANJOBOLT M6 X 19 |
| 23 | 14120700 | 1 | COUNTERWEIGHT 364/464-1000 |
| 24 | 14137300 | 1 | CRANKSHAFT 364/464-5.5 1000 |
| 24 | 14137400 | 1 | CRANKSHAFT 364/464-6.5 1000 |
| 25 | 14137600 | 1 | CRANKSHAFT 364/464-10 |
| 25 | 14137700 | 1 | CRANKSHAFT 464-12 |
| 26 | 14137900 | 1 | CRANKSHAFT 364/464-5.5 GG 1000 |
| 26 | 14138000 | 1 | CRANKSHAFT 364/464-6.5 GG 1000 |
| 27 | 14138200 | 1 | CRANKSHAFT 364/464-10 GG |
| 27 | 14138300 | 1 | CRANKSHAFT 464-12 GG |
| 28 | 16383000 | 1 | GREASE NIPPLE PLATE 464 |
| 29 | 16390600 | 1 | BRACKET FOR RPM SENSOR |
| 30 | 24266600 | 1 | O-RING D 38,0 X 4,0 70SH.NITR |
| 31 | 24266800 | 1 | O-RING D 54,0 X 4,0 70SH.NITR |
| 32 | 28045503 | 1 | LOCTITE 262 .5ML (.017oz.) |
| 33 | 28163300 | 1 | GREASE NIPPLE H1 M6X1 DIN 7412 |
| 34 | 28163400 | 1 | CAP F. GREASENIPPLE YELLOW M6X1 |
| 35 | 28164600 | 1 | HARDI PUMP GREASE S3 V550L 1 |
| 36 | 32242200 | 1 | FITTING S67 5/4" KON. RG 2014 |
| 37 | 32242400 | 1 | FITTING S93 2" KON. RG 2014 |
| 38 | 33511600 | 1 | DIAPHRAGM PUMP 463/464 PUMP PUR |
| 39 | 33524000 | 1 | COVER PLASTIC 464 PUMP |
| 40 | 33527200 | 1 | GREASE SPLIT 364/464 |
| 41 | 39136200 | 1 | HALFPART 364/464-1000 |
| 42 | 43099200 | 1 | BOLT HEX SS M12 X 30 DIN933 A4 |
| 43 | 46134000 | 1 | NUT HEX M10x1 H=2.3 NV=14 ELZIN |
| 44 | 61097000 | 1 | BANJOTUBE SHORT 464 COMPL. |
| 45 | 61097100 | 1 | BANJOTUBE LONG 464 COMPL. |
| 46 | 72043600 | 1 | VALVE FOR 462/463 |
| 47 | 72993500 | 1 | PUMP 464-12-540, CM |
| 47 | 72993600 | 1 | PUMP 464-6.5 MED-2-1000 |
| 47 | 82168100 | 1 | PUMP 464-5.5 THROUGH SHAFT 1000RPM |
| 47 | 82168200 | 1 | PUMP 464-10 2" SUCT. 540RPM |
| 47 | 82168500 | 1 | PUMP 464-12 2" SUCT. 540 RPM |
| 47 | 82168700 | 1 | PUMP 464-12 540 OFFSET PORTS |
| 47 | 82168800 | 1 | PUMP 464 6.5 1000 OFFSET PORTS |

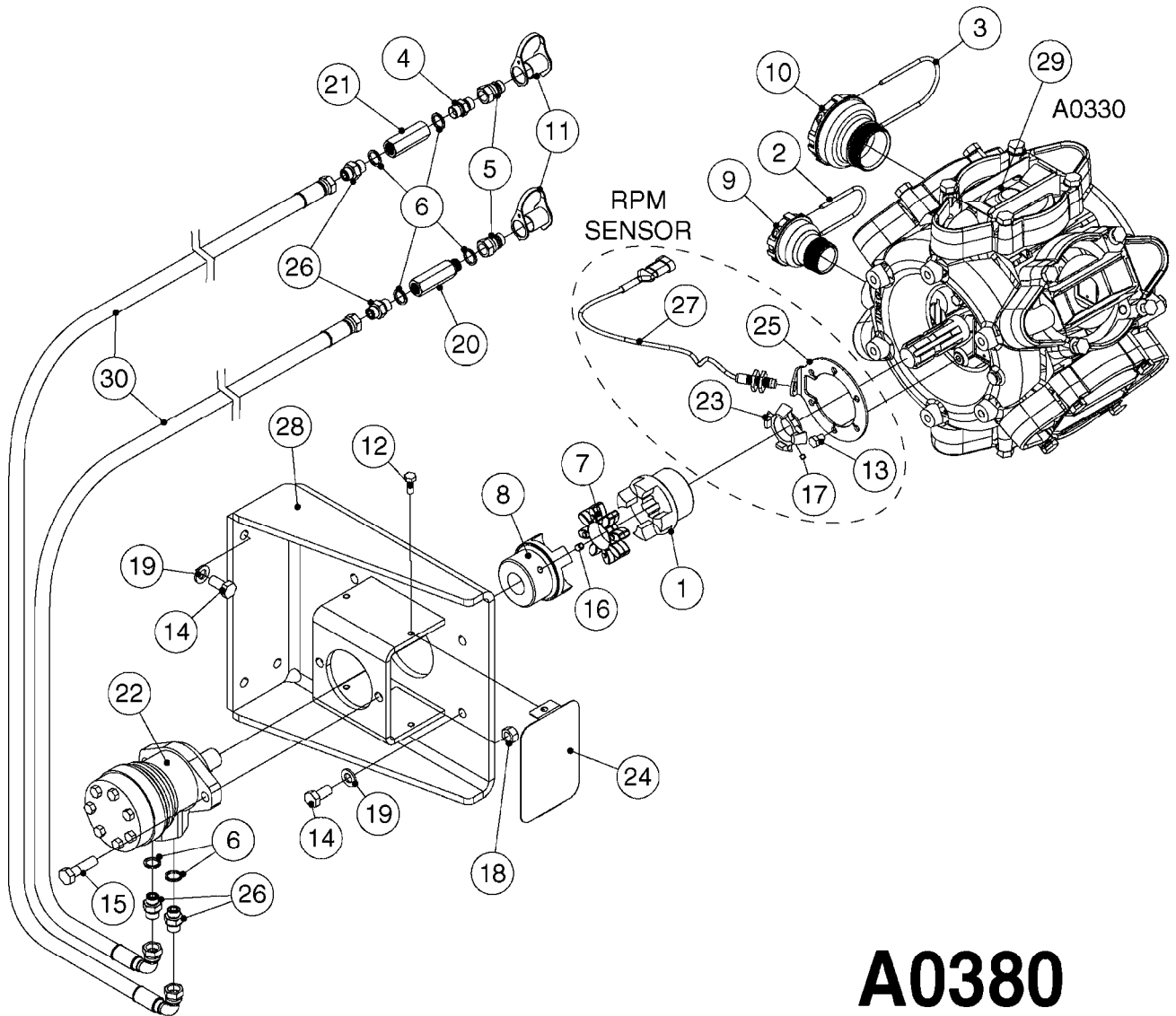


PUMP - 464 540/1000 RPM
A0350-HIN, 23:04:19

Page 2

Date 07.02.2020 10:25

| Pos. | parts-n° | order qty | description |
|------|----------|-----------|----------------------------|
| 47 | 82169000 | 1 | PUMP 464-10-MOD-2-540 |
| 47 | 82169400 | 1 | PUMP 464-6.5-STD-2-1000 FK |
| 48 | 75586000 | 1 | PUMP KIT 464 |





PUMP - 463 FLEX CAPACITY
A0380-HIN, 07:11:16

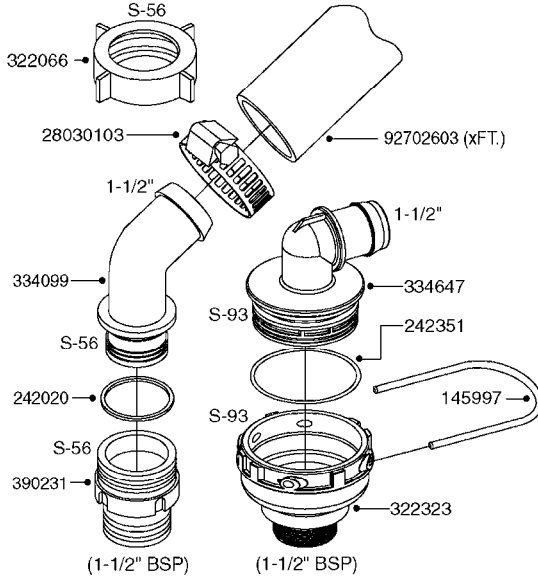
Page 1

Date 07.02.2020 10:25

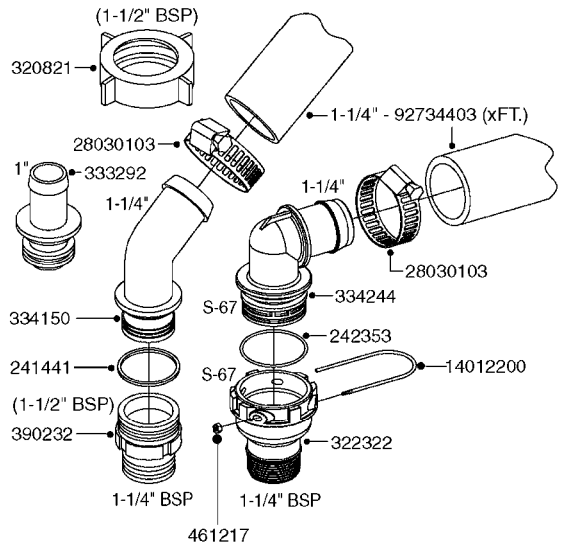
| Pos. | parts-n° | order qty | description |
|------|----------|-----------|--|
| 1 | 111438 | 1 | HUB F.CLUTCH 361/460 PUMP |
| 2 | 145996 | 1 | FITT.DK S-67 FORK |
| 3 | 145997 | 1 | FITT.DK S-93 FORK |
| 4 | 147132 | 1 | HEX NIPPLE 1/2"X1/2" BSP DEL |
| 5 | 230311 | 1 | QUICK COUPLING 1/2" |
| 6 | 241356 | 1 | DOWTYSEAL 1/2" |
| 7 | 283916 | 1 | TOOTHED RIM FOR CLUTCH |
| 8 | 284521 | 1 | COUPLING HALF CYL.D25MM-KEY |
| 9 | 322322 | 1 | FITT.DK S-67 X 1-1/4"BSP MALE |
| 10 | 322324 | 1 | FITTING S93 FEMALE - BSP 2" MALE |
| 11 | 334206 | 1 | DUST HOOD FOR HY-COUPLING |
| 12 | 420582 | 1 | BOLT HEX 8.8 DEL M8X20 FT A2 |
| 13 | 420917 | 1 | BOLT HEX 8.8 RAW M8X12 FT |
| 14 | 430522 | 1 | BOLT HEX 8.8 DEL M12X25 FT |
| 15 | 430878 | 1 | BOLT HEX 8.8 DEL M12X45 DIN931 |
| 16 | 450052 | 1 | SCREW SET M8X10 BLACK ALLAN |
| 17 | 450645 | 1 | SCREW ALLAN M6 X 6 SS |
| 18 | 460703 | 1 | NUT HEX M12X1.75 LOCK DIN985A2 SS |
| 19 | 471127 | 1 | WASHER, M12, Ø24/13X24X2.5 SS |
| 20 | 782153 | 1 | PRESS. FLOW VALVE 1/2", 32L/MIN, PAINTED (BLACK) |
| 21 | 782154 | 1 | CHECK VALVE 284794 (BLACK) |
| 22 | 783010 | 1 | MOTOR HYDRAULIC OMR50 |
| 23 | 14117800 | 1 | ROTOR RPM SENSOR 4-POL |
| 24 | 16154400 | 1 | COVER PLATE F. FLEX PUMP MT. |
| 25 | 16382700 | 1 | PLATE 3 X 148 X 116 / BEND |
| 26 | 23235300 | 1 | HEX NIPPLE 1/2"-13/16" |
| 27 | 28120200 | 1 | INDUCTIVE SENSOR M12 0.25M CABLE |
| 28 | 61038400 | 1 | BRACKET FLEX PUMP MOUNT NCM |
| 29 | 72363900 | 1 | PUMP 463/10-MOD-2-540 |
| 30 | 78571100 | 1 | HOSE HY X 1/2" X 248" STR+ELB |



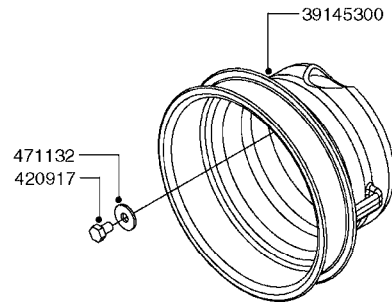
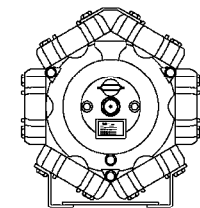
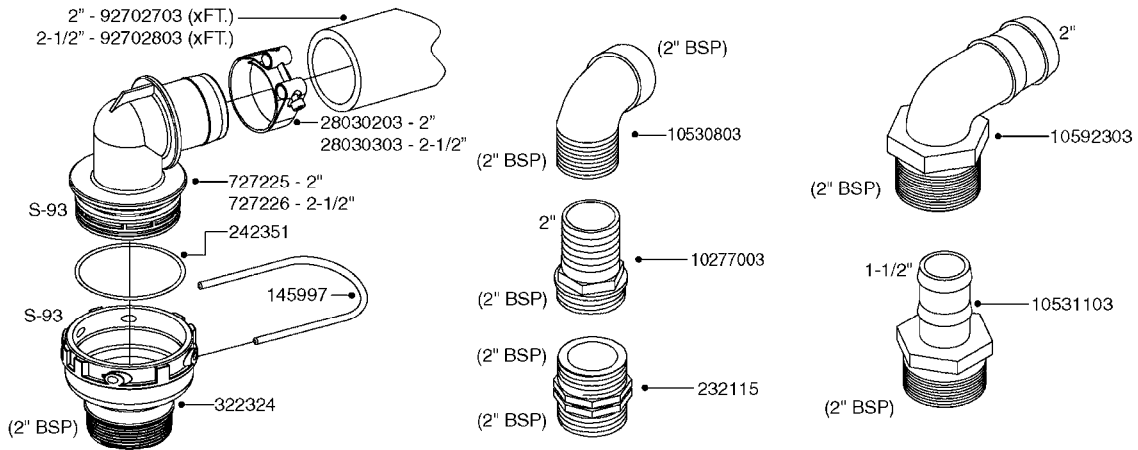
SUCTION SIDE OF PUMP (WITH 1-1/2" SUCTION PORT)



PRESSURE SIDE OF PUMP



SUCTION SIDE OF PUMP (WITH 2" SUCTION PORT)



COMPLETE PUMP
(NLA) REPLACED BY 464 PUMP (SEE PAGE A0350)

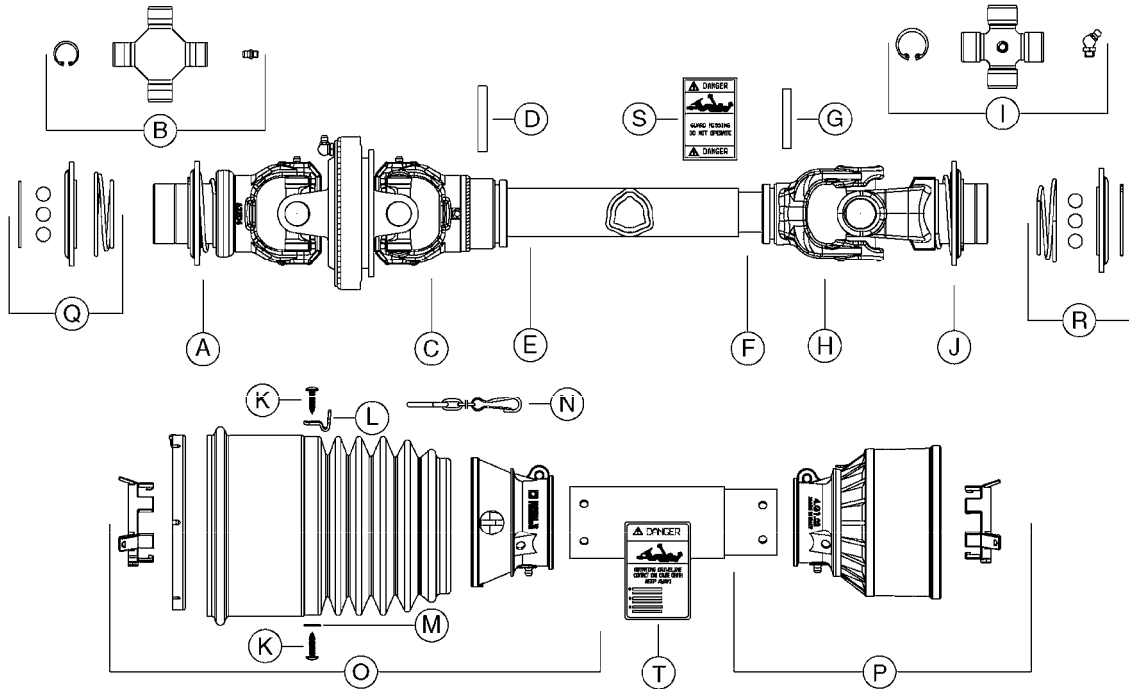
A0390



PUMP - 460/462/463 FITTINGS
A0390-HIN, 28:05:19

Page 1
Date 07.02.2020 10:25

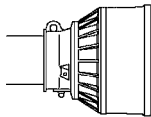
| parts-n° | order qty | description |
|----------|-----------|----------------------------------|
| 145997 | 1 | FITT.DK S-93 FORK |
| 232115 | 1 | FITT HEX NIPPLE 2'-2' BSP |
| 241441 | 1 | O-RING D29.3X3 |
| 242020 | 1 | O-RING 39.2 X 3 VITON |
| 242351 | 1 | O-RING D69.5X3.0 VITON F.S-93 |
| 242353 | 1 | O-RING 3 X 44.2 VITON |
| 320821 | 1 | FITT.DK NUT 1-1/2" BSP |
| 322066 | 1 | FITT.DK S-56 NUT |
| 322322 | 1 | FITT.DK S-67 X 1-1/4"BSP MALE |
| 322323 | 1 | FITT.DK S-93 X 1-1/2"BSP MALE |
| 322324 | 1 | FITTING S93 FEMALE - BSP 2" MALE |
| 333292 | 1 | FITT.DK HB 1"O'RING F.1-1/2" |
| 334099 | 1 | FITT.DK S-61 ELB.1-1/2"110 DEG |
| 334150 | 1 | FITT.DK HB 1-1/4" 110 F.1-1/2" |
| 334244 | 1 | FITT.DK S-67 ELB.1-1/4" |
| 334647 | 1 | FITT.DK S93 ELB 1-1/2" 90 PVC |
| 390231 | 1 | FITT.DK NIPPLE 1-1/2 X S56 |
| 390232 | 1 | FITT.DK HN 1-1/2' X 1-1/4' BSP |
| 420917 | 1 | BOLT HEX 8.8 RAW M8X12 FT |
| 461217 | 1 | NUT HEX M5 LOCK |
| 471132 | 1 | WASHER D24/D8.4 X 2 SS |
| 727225 | 1 | FITT.DK S-93 ELB.2'PVC W/ORING |
| 727226 | 1 | FITT. S93 2-1/2" 90° S W/O-RING |
| 10277003 | 1 | FITT.PO.HB 2.00X2.00 MCPHEE |
| 10530803 | 1 | FITT.PO.SE 2.00X2.00 45 DEG. |
| 10531103 | 1 | FITT.PO.HB 2.00"NPT X 1.50"HOS |
| 10592303 | 1 | FITT.PO.HB 2.00X 2.00BSP 90DEG |
| 14012200 | 1 | FITT.DK S-67 FORK W/M5 THREADS |
| 28030103 | 1 | CLAMP HOSE GEAR P5/4-S1.5"6724 |
| 28030203 | 1 | CLAMP HOSE T-BOLT S2" 235-67 |
| 28030303 | 1 | CLAMP HOSE T-BOLT S2.5" 235-76 |
| 39145300 | 1 | PTO SHIELD Ø203 4-POLET MACHINED |
| 92702603 | 1 | HOSE PVC SUCT GRAY 1-1/2" |
| 92702703 | 1 | HOSE PVC SUCT GRAY 2" |
| 92702803 | 1 | HOSE PVC SUCT GRAY 2.5" |
| 92734403 | 1 | HOSE R X5/4" X200PSI WP X0012" |



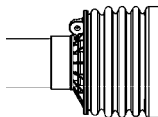
**COMPLETE ASSEMBLIES
WHOLEGOODS ITEMS**

| PTO # | 28035003 * | 28035103 * |
|-----------|------------------|------------------|
| TRACTOR | 1-3/8" 21 SPLINE | 1-3/4" 20 SPLINE |
| IMPLEMENT | 1-3/8" 21 SPLINE | 1-3/8" 21 SPLINE |
| LENGTH | 1210/1890 | 1210/1890 |
| A | 28040203 | 28041303 |
| B | 28040303 | 28040303 |
| C | 28040403 | 28040403 |
| D | 28009803 | 28009803 |
| E | 28009003 | 28009003 |
| F | 28009103 | 28009103 |
| G | 28009903 | 28009903 |
| H | 28010103 | 28010103 |
| I | 28040503 | 28009403 |
| J | 28040603 | 28027803 |
| K | 28040903 | 28040903 |
| L | 28041703 | 28041703 |
| M | 28041603 | 28041603 |
| N | 28040703 | 28040703 |
| O | 28041103 | 28041103 |
| P | 28041203 | 28041503 |
| Q | 28040803 | 28041403 |
| R | 28041003 | XXXXXXXX |
| S | 28041803 | 28041803 |
| T | 28041903 | 28041903 |

100 SERIES



G-SERIES



* Changed in 2016 from 100 series to G-Series (see page A0610).

A0560

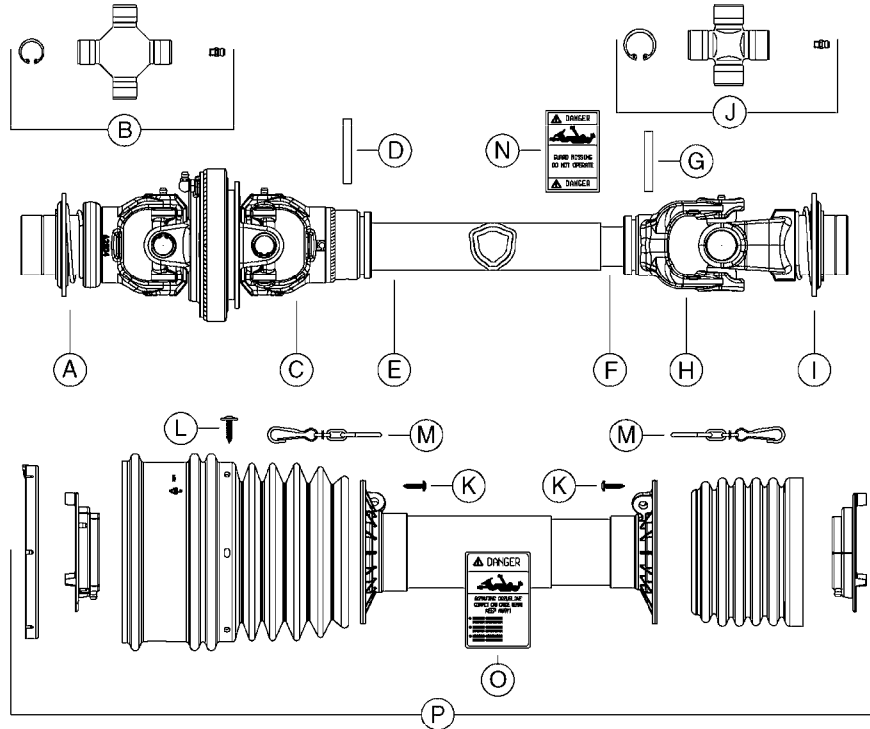


C.V.PTO-BLACK TRIANG. (POST'05)
A0560-HIN, 23:10:18

Page 1

Date 07.02.2020 10:25

| parts-n° | order qty | description |
|----------|-----------|--|
| 28009003 | 1 | PTO TUBE OUTER F.CV 1060MM |
| 28009103 | 1 | PTO TUBE INNER F.CV 1060MM |
| 28009403 | 1 | UNIV. JOINT 27x74.6mm |
| 28009803 | 1 | PTO PIN TUBE RETAINER OUTER |
| 28009903 | 1 | PTO TUBE RETAINER INNER |
| 28010103 | 1 | PTO YOKE F.INNER TUBE CV PTO |
| 28027803 | 1 | PTO YOKE 1-3/8X21SPL BALL LOCK |
| 28035003 | 1 | PTO 1-3/8/21X1-3/8/21X1260 CV |
| 28035103 | 1 | PTO 1-3/4/20X1-3/8/21X1260 CV |
| 28040203 | 1 | PTO YOKE 1-3/8X21SPL SLIP F.CV |
| 28040303 | 1 | UNIV. JOINT 22x86mm CV BLK. |
| 28040403 | 1 | PTO YOKE INNER F.CV PTO SHAFT |
| 28040503 | 1 | UNIV. JOINT 27x74.6mm |
| 28040603 | 1 | PTO YOKE 1-3/8X21SPL BLACK |
| 28040703 | 1 | SAFETY CHAIN F.CV BLACK PTO (SET OF 2) |
| 28040803 | 1 | PTO REPAIR KIT F.PUSH YOKE CV |
| 28040903 | 1 | SELF TAPPING SHIELDING SCREW |
| 28041003 | 1 | PTO REPAIR KIT F.PUSH YOKE |
| 28041103 | 1 | PTO HALF SAFETY SHIELD BLACK |
| 28041203 | 1 | PTO HALF SAFETY SHIELD BLACK |
| 28041303 | 1 | PTO YOKE 1-3/4X20SPL SLIP F.CV |
| 28041403 | 1 | PTO REPAIR KIT F.PUSH YOKE CV |
| 28041503 | 1 | PTO HALF SAFETY SHIELD BLACK |
| 28041603 | 1 | WASHER F.SHIELDING SCREW BLACK |
| 28041703 | 1 | ANCHOR F.RETAINING CHAIN BLACK |
| 28041803 | 1 | DECAL DANGER GUARD MISSING |
| 28041903 | 1 | DECAL DANGER ROT.DRIVELINE |



| PTO # | 28035003 | 28035103 | 28035203 |
|-----------|------------------|------------------|------------------|
| TRACTOR | 1-3/8" 21 SPLINE | 1-3/4" 20 SPLINE | 1-3/4" 20 SPLINE |
| IMPLEMENT | 1-3/8" 21 SPLINE | 1-3/8" 21 SPLINE | 1-3/8" 21 SPLINE |
| LENGTH | 1034/1219 | 1087/1313 | 1058/1324 |
| A | 28040203 | 28041303 | 28042003 |
| B | 28040303 | 28040303 | 28089203 |
| C | 28040403 | 28040403 | 28099303 |
| D | 28009803 | 28009803 | 10627103 |
| E | 28009003 | 28009003 | 28099503 |
| F | 28099203 | 28099203 | 28099703 |
| G | 28009903 | 28009903 | 28100003 |
| H | 28010103 | 28010103 | 28098903 |
| I | 28040603 | 28010203 | 28100603 |
| J | 28100403 | 28100403 | 28100503 |
| K | 28040903 | 28040903 | 28040903 |
| L | 28099803 | 28099803 | 28099803 |
| M | 28040703 | 28040703 | 28040703 |
| N | 28041803 | 28041803 | 28041803 |
| O | 28041903 | 28041903 | 28041903 |
| P | 28098103 | 28098103 | 28094003 |

FOR PRE-2016 100 SERIES PTO PARTS
SEE PAGES A0510, A0520, A0560, A0570

COMPLETE ASSEMBLIES
WHOLEGOODS ITEMS

A0610

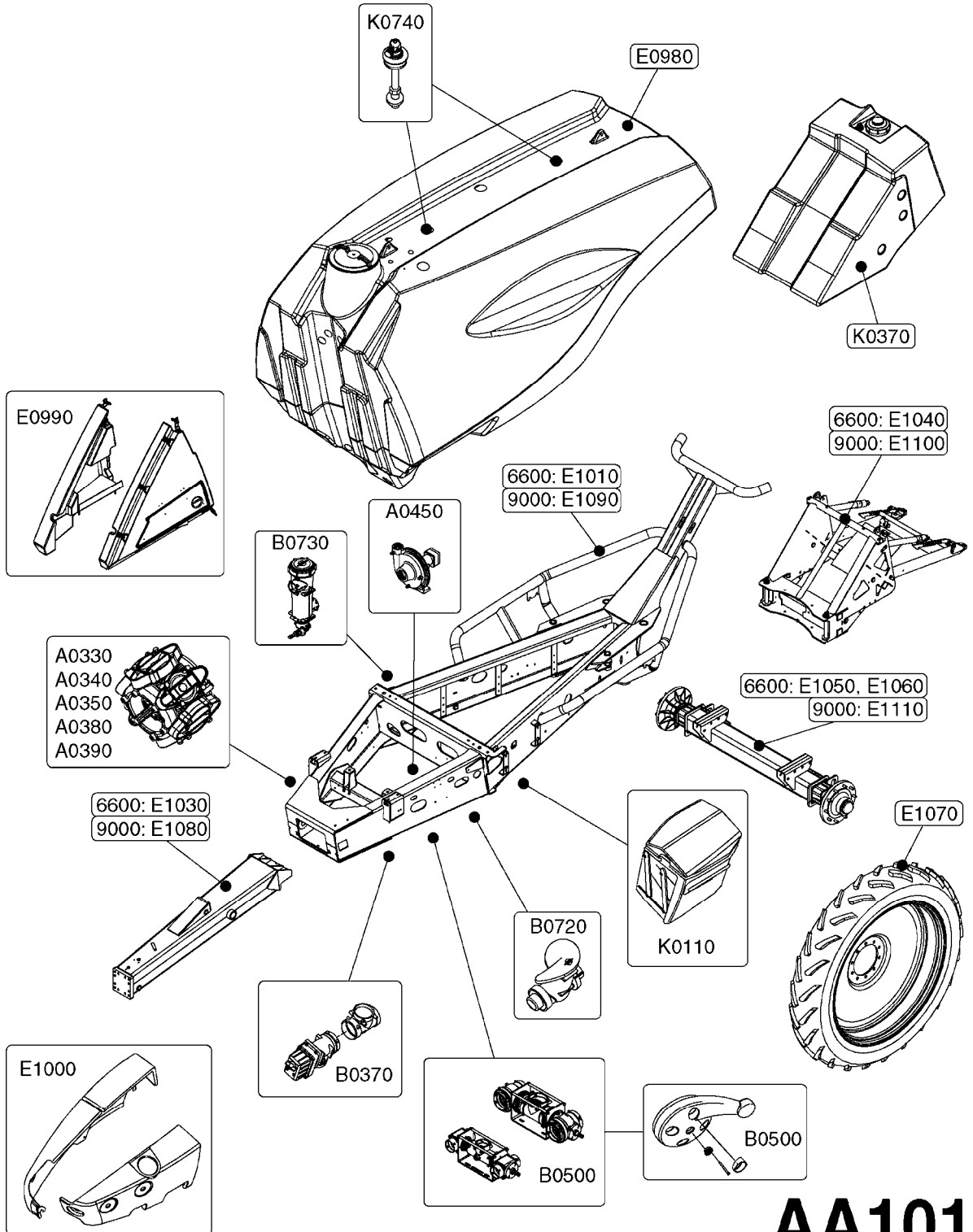


C.V. PTO SHAFTS - BONDIOLI
G-SERIES
A0610-HIN, 23:10:18

Page 1

Date 07.02.2020 10:25

| parts-n° | order qty | description |
|----------|-----------|--|
| 10627103 | 1 | PTO PIN TUBE RETAINER CV OUTER |
| 28009003 | 1 | PTO TUBE OUTER F.CV 1060MM |
| 28009803 | 1 | PTO PIN TUBE RETAINER OUTER |
| 28009903 | 1 | PTO TUBE RETAINER INNER |
| 28010103 | 1 | PTO YOKE F.INNER TUBE CV PTO |
| 28010203 | 1 | PTO YOKE 1-3/8X21SPL |
| 28035003 | 1 | PTO 1-3/8/21X1-3/8/21X1260 CV |
| 28035103 | 1 | PTO 1-3/4/20X1-3/8/21X1260 CV |
| 28035203 | 1 | PTO 1-3/4/20X1-3/8/21X1210 CVH |
| 28040203 | 1 | PTO YOKE 1-3/8X21SPL SLIP F.CV |
| 28040303 | 1 | UNIV. JOINT 22x86mm CV BLK. |
| 28040403 | 1 | PTO YOKE INNER F.CV PTO SHAFT |
| 28040603 | 1 | PTO YOKE 1-3/8X21SPL BLACK |
| 28040703 | 1 | SAFETY CHAIN F.CV BLACK PTO (SET OF 2) |
| 28040903 | 1 | SELF TAPPING SHIELDING SCREW |
| 28041303 | 1 | PTO YOKE 1-3/4X20SPL SLIP F.CV |
| 28041803 | 1 | DECAL DANGER GUARD MISSING |
| 28041903 | 1 | DECAL DANGER ROT.DRIVELINE |
| 28042003 | 1 | PTO YOKE 1-3/4X20SPL SLIP F.CV |
| 28089203 | 1 | UNIV.JOINT 27X100MM F.CV |
| 28094003 | 1 | PTO SHIELD COMPLETE BLACK |
| 28098103 | 1 | PTO SHIELD COMPLETE BLACK |
| 28098903 | 1 | PTO TUBE YOKE #6-G7 INNER |
| 28099203 | 1 | PTO TUBE INNER #4 1050MM |
| 28099303 | 1 | PTO TUBE YOKE G7 OUTER |
| 28099503 | 1 | PTO TUBE OUTER 1040MM |
| 28099703 | 1 | PTO TUBE INNER #6 1050MM |
| 28099803 | 1 | SELF TAPPING SCREW 4.8X22 |
| 28100003 | 1 | ROLL PIN 10X65 |
| 28100403 | 1 | UNIV. JOINT S4-G4 27X74.6MM |
| 28100503 | 1 | UNIV. JOINT S7-G7 30.2X91.5MM |
| 28100603 | 1 | PTO YOKE 1-3/8"X21 S7-G7 BALL LOCK |



AA101



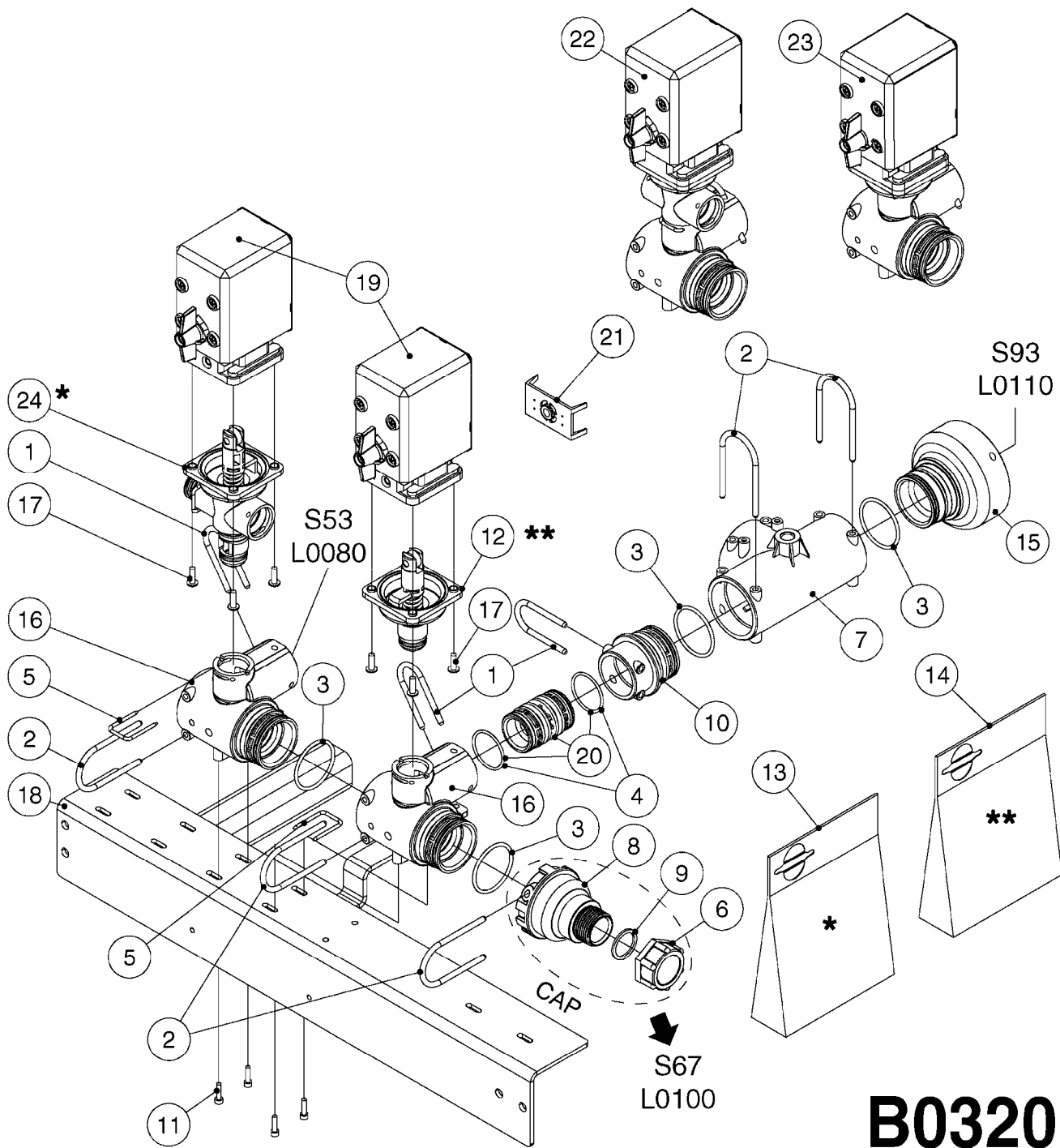
Agroparts: www.HARDI-INTERNATIONAL.com

COMMANDER 6600/9000 OVERVIEW
AA101-HIN, 01:01:16

Page 1

Date 07.02.2020 10:25

| parts-n° | order qty | description |
|----------|-----------|-------------|
| | | |



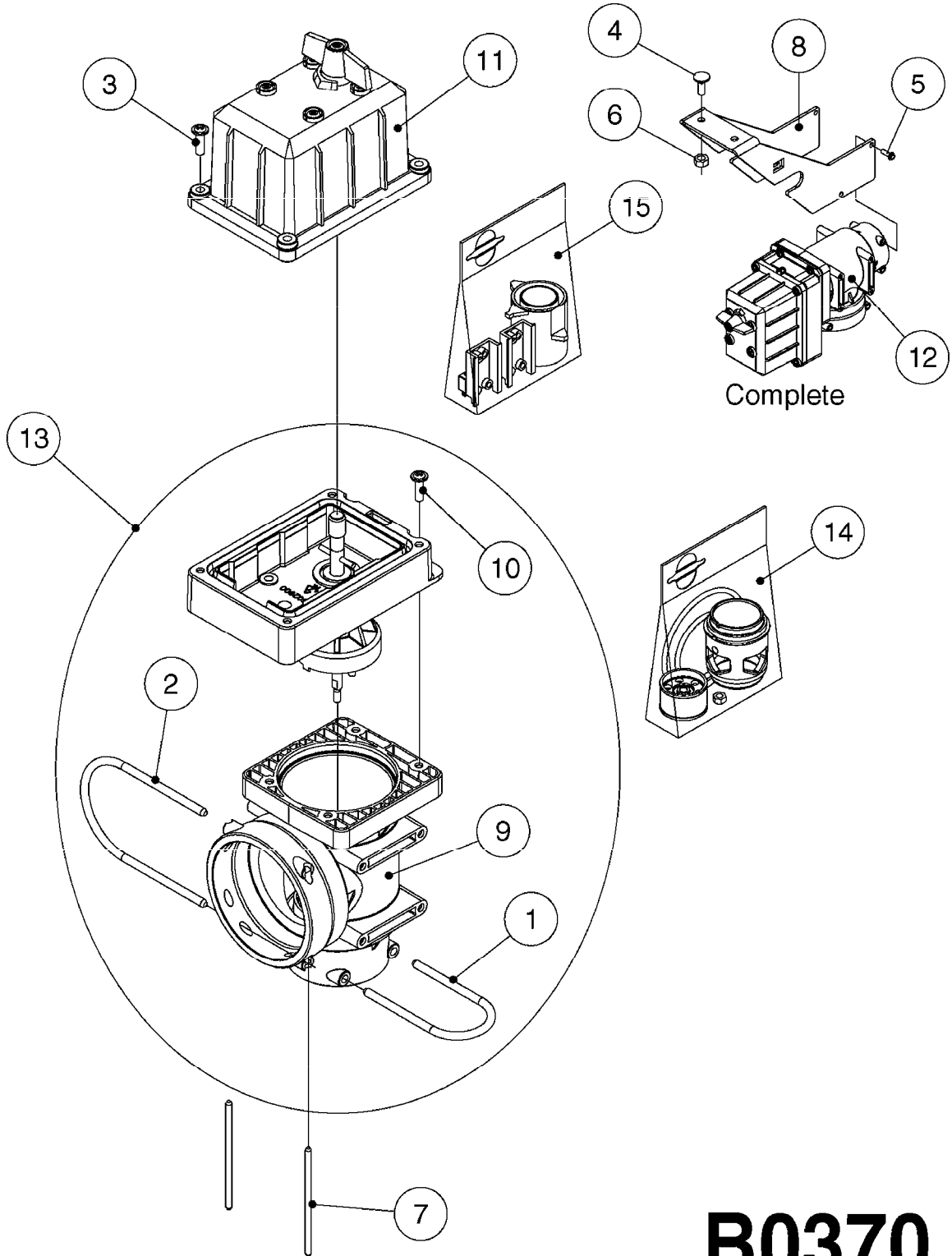
B0320



EFC BOOM VALVES
B0320-HIN, 08:04:19

Page 1
Date 07.02.2020 10:25

| Pos. | parts-n° | order qty | description |
|------|----------|-----------|--------------------------------|
| 1 | 145995 | 1 | FITT.DK S-53 FORK |
| 2 | 145996 | 1 | FITT.DK S-67 FORK |
| 3 | 242353 | 1 | O-RING 3 X 44.2 VITON |
| 4 | 242354 | 1 | O-RING D32.2X3.0 VITON |
| 5 | 270211 | 1 | FITT.DK S25 FORK L=37.5 |
| 6 | 320106 | 1 | FITT.DK CAPNUT 1" BSP |
| 7 | 322224 | 1 | FITT.DK S-67 TEE |
| 8 | 322321 | 1 | FITT.DK S-67 X 1"BSP MALE |
| 9 | 330326 | 1 | O-RING D30/D24X2 F.1"NUT |
| 10 | 334564 | 1 | FITT.DK S-67 TO S-53 ADAPTER |
| 11 | 450902 | 1 | BOLT ALLEN HEAD M4 X 16MM |
| 12 | 725257 | 1 | SPINDLE SECT. F/EC DISTRIBUTOR |
| 13 | 741822 | 1 | SEAL KIT - 1 SECTION (05) |
| 14 | 755726 | 1 | O-RING KIT F.EC/ESC SEC.VALVE |
| 15 | 33500700 | 1 | FITT.DK ADAPTER S-93F S67M |
| 16 | 33502400 | 1 | DISTRIBUTION HOUSING EFC |
| 17 | 44076200 | 1 | SCREW WN5451 5X16 SS TORX |
| 18 | 61032700 | 1 | BRACKET F. EFC SEC. VALVES < 7 |
| 18 | 61032800 | 1 | BRACKET F. EFC SEC.VALVES <4>6 |
| 19 | 72048000 | 1 | MOTOR, DISTRIBUTION 1:300 |
| 20 | 72114300 | 1 | FITT. DK S-53 MALE MALE W.ORIN |
| 21 | 72137200 | 1 | MCROSWCH ASSY F.BOOM VLV 300:1 |
| 22 | 72233700 | 1 | SECTION VALVE, EFC, 1:300 |
| 23 | 72284000 | 1 | BYPASS VALVE, EFC, 1:300 |
| 24 | 72591700 | 1 | SPINDLE SECT.W/O CONS.PRESSURE |



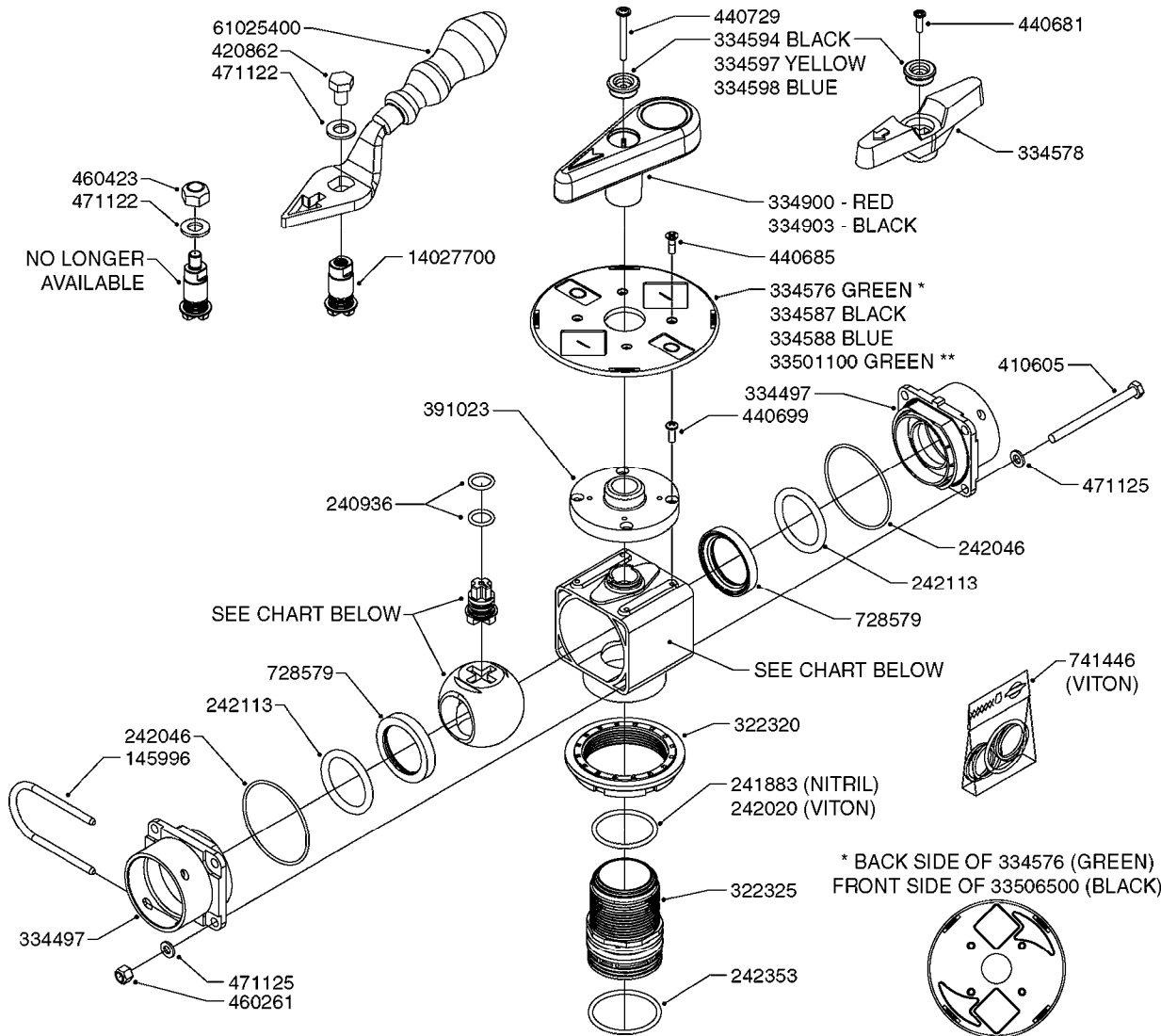
B0370



PRESSURE REGULATOR - S93 06
B0370-HIN, 12:05:16

Page 1
Date 07.02.2020 10:25

| Pos. | parts-n° | order qty | description |
|------|----------|-----------|---|
| 1 | 145996 | 1 | FITT.DK S-67 FORK |
| 2 | 145997 | 1 | FITT.DK S-93 FORK |
| 3 | 440677 | 1 | SCREW F. PLASTIC 5X20 SS |
| 4 | 440695 | 1 | BOLT CARRIAGE M8X25 |
| 5 | 440698 | 1 | SCREW F.PLASTIC 6X18 SS HEXHD |
| 6 | 460143 | 1 | SELF LOCK NUT M8 SST A2 DIN985 |
| 7 | 480487 | 1 | PIN M5X60 SLOTTED GALV |
| 8 | 16244000 | 1 | BRACKET FOR REG. NAV, PAINTED NAVIGATOR PLATFORM BRACKET |
| 9 | 33510800 | 1 | HOUSING F.PRESS.REG.S67/S93 |
| 10 | 44076200 | 1 | SCREW WN5451 5X16 SS TORX |
| 11 | 72374200 | 1 | MOTOR HOUS.REG.1:150 ENCODER |
| 12 | 72374300 | 1 | REGUL S67/S93 ASSY W SS CONE |
| 12 | 72425500 | 1 | REGULATOR S67/S93 CROSS-DRILL |
| 12 | 72678700 | 1 | REGULATOR S67/S93 CROSS-DRILL CERAMIC COMPONENTS |
| 13 | 72481600 | 1 | BAG W. CONSOLE&SPINDLE COMPL |
| 14 | 72678900 | 1 | BAG W.CONE/CYL/GASKET CERAMIC CERAMIC COMPONENTS |
| 14 | 74190800 | 1 | BAG W.CONE/CYL. AND GASKET. SYNTAL |
| 15 | 74187500 | 1 | SWITCH 5A PRESS.REG REP.KIT 08 |



| | | | | | | |
|----------|--------|----------|--------|--------|--------|----------|
| | | | | | - | |
| 728391 | 334594 | 334576 | 390204 | 390623 | - | 334600 |
| 728393 | 334598 | 334588 | 390238 | 390251 | - | 334600 |
| 728945 | 334597 | - | 390262 | 390777 | - | 334600 |
| 729796 | 334594 | 334587 | 390204 | 390623 | - | 334600 |
| 840062 | 334594 | 334576 | 391180 | 390623 | - | 334600 |
| 841062 | 334594 | 334576 | 390204 | 390623 | - | 334600 |
| 72113700 | 334594 | 334576 | 391180 | 390623 | - | 334600 |
| 72172100 | - | 33501100 | 391039 | 390623 | 391023 | 14027700 |
| 72172200 | - | - | 391039 | 390623 | - | 334600 |
| 72283600 | 334594 | 33506500 | 391180 | 390623 | 391023 | 334600 |
| 72292500 | - | - | 391180 | 390623 | - | 14027700 |
| 72538000 | - | - | 391039 | 390623 | 391023 | 14075700 |
| 72691600 | 334594 | 334587 | 390262 | 390623 | - | 334600 |

B0430



MANIFOLD - S67 VALVE
B0430-HIN, 12:09:19

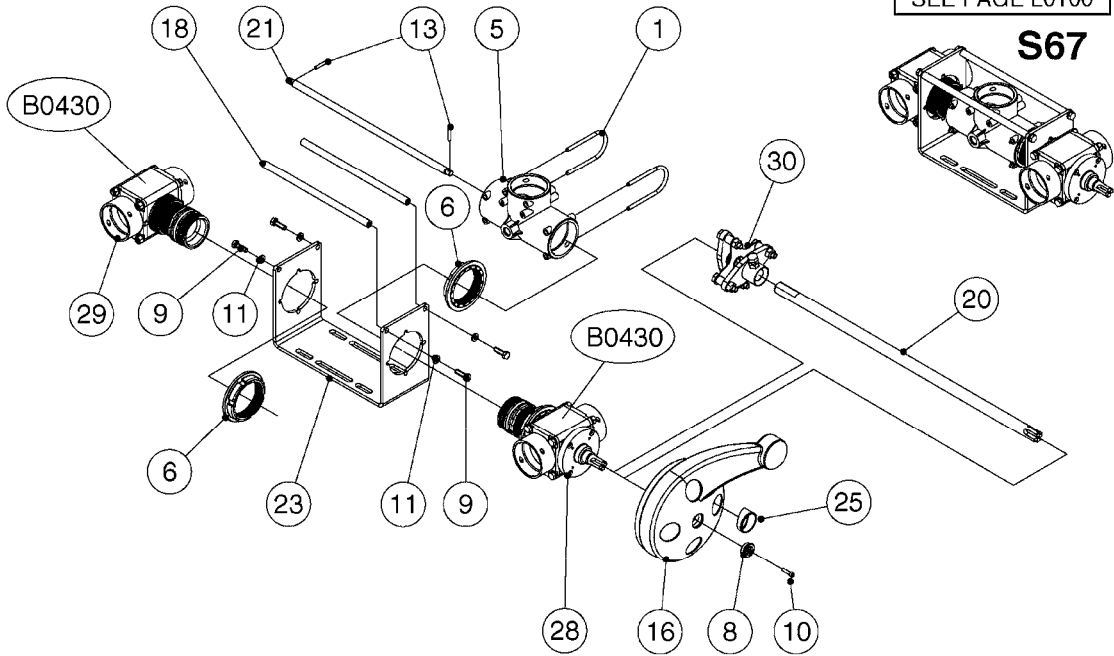
Page 1
Date 07.02.2020 10:25

| parts-n° | order qty | description |
|----------|-----------|-----------------------------------|
| 145996 | 1 | FITT.DK S-67 FORK |
| 240936 | 1 | O-RING D13.3X2.4 NITRIL |
| 241883 | 1 | O-RING 3 X 39.2 NITRIL |
| 242020 | 1 | O-RING 39.2 X 3 VITON |
| 242046 | 1 | O-RING D60X2 |
| 242113 | 1 | O-RING D37.5X5.3 VITON |
| 242353 | 1 | O-RING 3 X 44.2 VITON |
| 322320 | 1 | NUT F.3 WAY VALVE S56 |
| 322325 | 1 | FITT.DK S-67 X 1-1/2"BSP LONG |
| 334497 | 1 | END COVER 3 WAY VALVE S-67 |
| 334576 | 1 | FACE PLATE F. BALL VALVE GREEN |
| 334578 | 1 | HANDLE FOR VALVE 'OLD' STYLE |
| 334587 | 1 | FACE PLATE F.BALL VALVE BLACK |
| 334588 | 1 | FACE PLATE F. BALL VALVE BLUE |
| 334594 | 1 | PLUG F.VALVE HANDLE BLACK |
| 334597 | 1 | PLUG F.VALVE HANDLE YELLOW |
| 334598 | 1 | PLUG F.VALVE HANDLE BLUE |
| 334600 | 1 | SPINDLE F.3 WAY VALVE |
| 334900 | 1 | HANDLE F.3 WAY VALVE TALL '00 |
| 334903 | 1 | HANDLE S67/93 VALVE BLACK |
| 390204 | 1 | BALL F. 3 WAY SUCTION VALVE |
| 390238 | 1 | BALL F. 3 WAY PRESSURE VALVE |
| 390251 | 1 | MOTOR HOUSING F. 3-WAY VALVE |
| 390262 | 1 | BALL F. 2 WAY VALVE |
| 390623 | 1 | HOUSING F.3 WAY VALVE |
| 390777 | 1 | HOUSING F.BALL VALVE 3 WAY |
| 391023 | 1 | SMART VALVE MOUNTING BRACKET |
| 391039 | 1 | BALL F. S67 SMART VALVE |
| 391180 | 1 | BALL F. AGITATOR S67 ARE 268 |
| 410605 | 1 | BOLT HEX 8.8 DEL M6X80 |
| 420862 | 1 | BOLT HEX 8.8 DEL M10X16 FT |
| 440681 | 1 | SCREW F. PLASTIC 4MM X 14LG SS |
| 440685 | 1 | SCREW F.PLASTIC 4X14 SS C-SUNK |
| 440699 | 1 | SCREW F. PLASTIC 4MMM X12LG SS |
| 440729 | 1 | SCREW F. PLASTIC 4MM X40LG SS |
| 460261 | 1 | NUT HEX M6X1.00 LOCK DIN985 A2 SS |
| 460423 | 1 | NUT HEX M10X1.50 LOCK DIN985A2 SS |
| 471122 | 1 | WASHER, M10, Ø20/10.5X 2.0, SS |
| 471125 | 1 | WASHER M6U 6.4X14X1.2,A2 SS |
| 728391 | 1 | VALVE S67 PRESSURE MANIFOLD |
| 728393 | 1 | VALVE 3 WAY F.AGITAT.SHUTOFF |
| 728579 | 1 | SEAL F BALL |
| 728945 | 1 | VALVE 2-WAY YELLOW W.S-67 ENDS |
| 729796 | 1 | VALVE S-67 MANUAL D33 J-D |
| 741446 | 1 | REPAIR KIT F.S67 VALVE - VITON |
| 840062 | 1 | VALVE S67 PRESSURE AGITATION |
| 841062 | 1 | VALVE KIT S67 PRESS. MANIFOLD |
| 14027700 | 1 | SPINDLE F.SMART VALVE S67 L=36 |
| 14075700 | 1 | SPINDLE F.SMART VALVE S67 L=81 |
| 33501100 | 1 | FACE PLATE F.SMART VALVE GREEN |
| 33506500 | 1 | FACE PLATE F.BALL VALVE BLACK |
| 61025400 | 1 | HANDLE SMART VALVE |
| 72113700 | 1 | VALVE, VARIABLE AGITATION |
| 72172100 | 1 | VALVE S67 "V1" SMART VALVE |
| 72172200 | 1 | VALVE S67 "V2" SMART VALVE |
| 72283600 | 1 | VALVE S67 AGITATION NCM |
| 72292500 | 1 | VALVE S67 SMART VALVE NEW NAV |
| 72538000 | 1 | VALVE S67, LONG SPINDLE |
| 72691600 | 1 | VALVE, S67, 2-WAY F. FILLER |



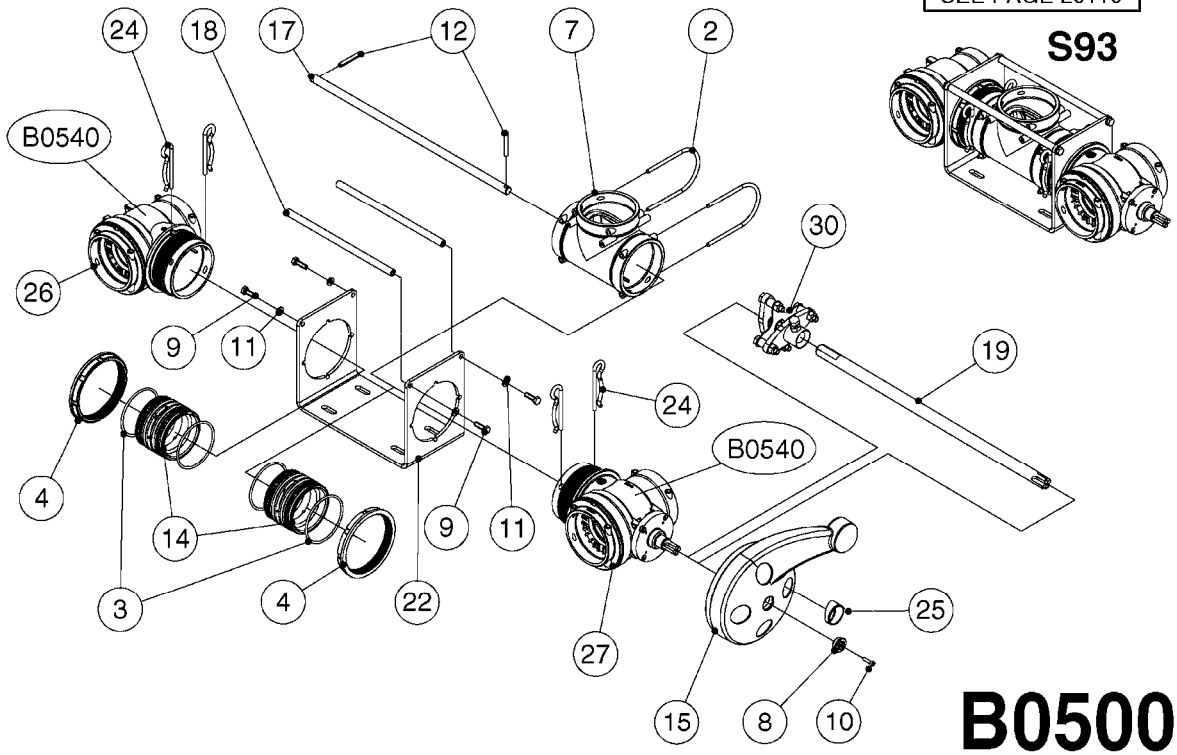
FOR S67 FITTINGS
SEE PAGE L0100

S67



FOR S93 FITTINGS
SEE PAGE L0110

S93



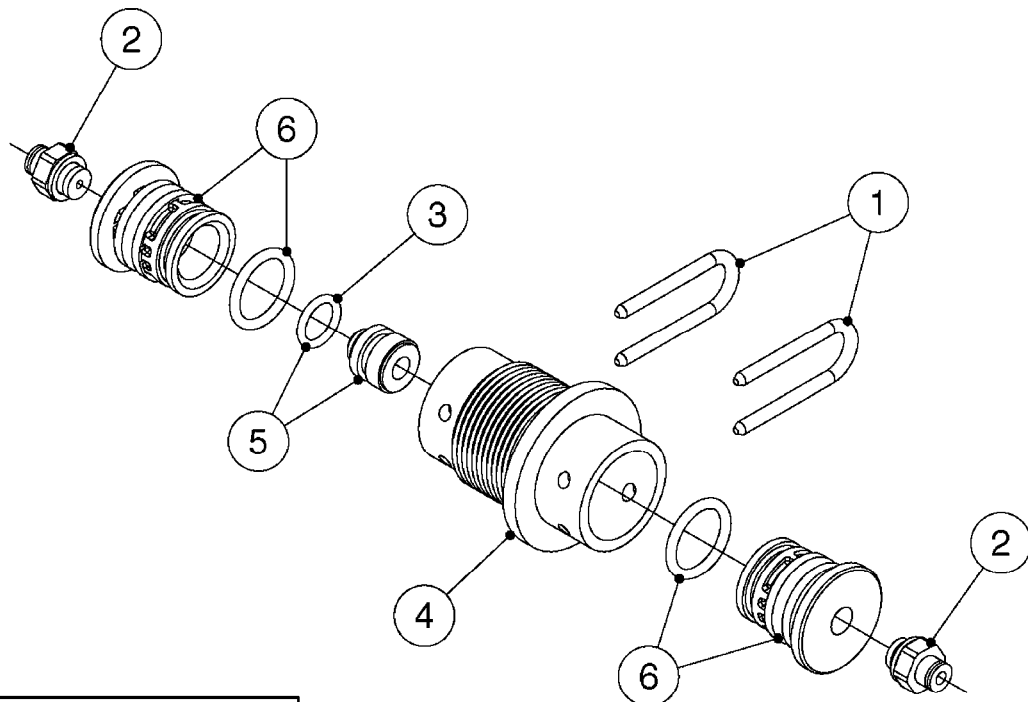
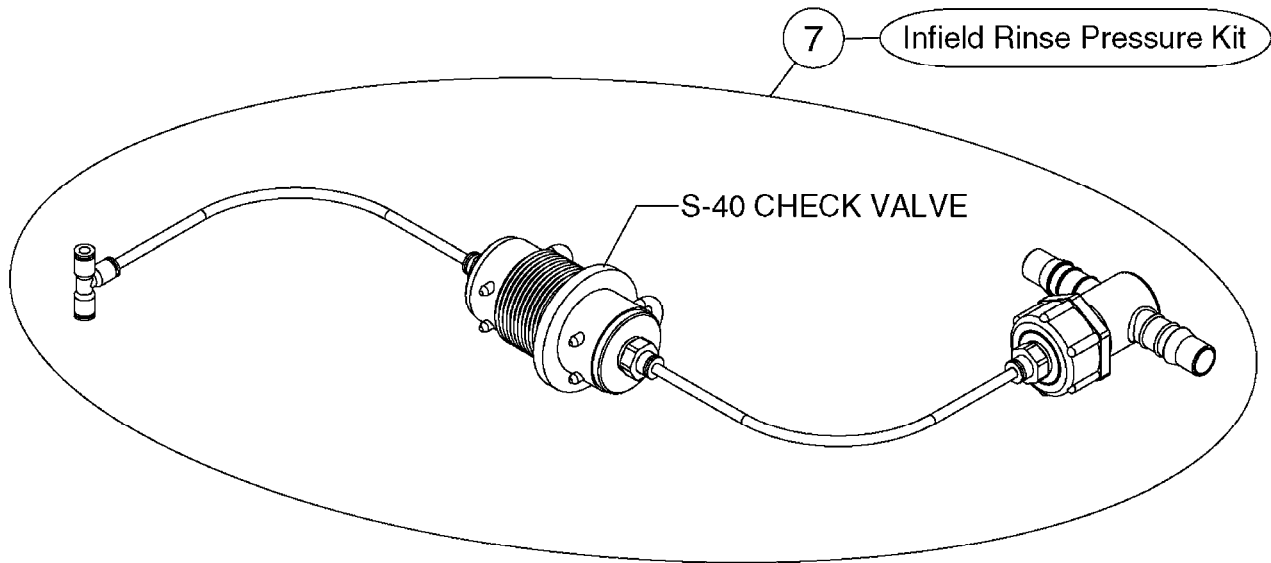
B0500



SMART VALVE S67 S93 (07)
B0500-HIN, 28:01:19

Page 1
Date 07.02.2020 10:25

| Pos. | parts-n° | order qty | description |
|------|----------|-----------|---|
| 1 | 145996 | 1 | FITT.DK S-67 FORK |
| 2 | 145997 | 1 | FITT.DK S-93 FORK |
| 3 | 242351 | 1 | O-RING D69.5X3.0 VITON F.S-93 |
| 4 | 322109 | 1 | FITT.DK S-93 BULKHEAD NUT |
| 5 | 322224 | 1 | FITT.DK S-67 TEE |
| 6 | 322320 | 1 | NUT F.3 WAY VALVE S56 |
| 7 | 334545 | 1 | FITT.DK S-93 TEE |
| 8 | 334594 | 1 | PLUG F.VALVE HANDLE BLACK |
| 9 | 410362 | 1 | BOLT HEX 8.8 SS M6X20 |
| 10 | 410922 | 1 | CYL.SKR 8.8 DEL M4X20 RST |
| 10 | 450902 | 1 | BOLT ALLEN HEAD M4 X 16MM |
| 11 | 471125 | 1 | WASHER M6U 6.4X14X1.2,A2 SS |
| 12 | 480733 | 1 | PIN D6 X 40 |
| 13 | 480803 | 1 | PIN Ø4 X 25 |
| 14 | 728525 | 1 | FITT. S93 CONNECTOR W/O-RINGS |
| 15 | 741844 | 1 | VALVE HANDLE ASSY. SUCTION NCM |
| 16 | 741845 | 1 | VALVE HANDLE ASSY. PRESSUR NCM |
| 17 | 14021500 | 1 | SPINDLE F.S93 SMART VALVE |
| 18 | 14022700 | 1 | SPACER TUBE Ø10 L=212 SS |
| 19 | 14038100 | 1 | AXLE FOR SUCTION VALVE HANDLE |
| 20 | 14038200 | 1 | AXLE FOR PRESSURE VALVE HANDLE |
| 21 | 14068700 | 1 | SPINDLE,SMART VALVE S67 10MM |
| 22 | 16059900 | 1 | BRACKET 2 STK S93 SMART VALVE |
| 23 | 16082300 | 1 | BRACKET 2PCS S67 VALVE 15 BAR |
| 24 | 28168400 | 1 | HAIRPIN Ø5 S67/S93 |
| 25 | 33505200 | 1 | PLUG FOR SMART VALVE HANDLE |
| 26 | 72138000 | 1 | VALVE S93 "V2" SMART VALVE |
| 27 | 72138600 | 1 | VALVE S93 "V3" SMART VALVE |
| 28 | 72172100 | 1 | VALVE S67 "V1" SMART VALVE |
| 28 | 72538000 | 1 | NCM 4400/6600 VALVE S67, LONG SPINDLE NAV 3000/4000 |
| 29 | 72172200 | 1 | VALVE S67 "V2" SMART VALVE |
| 30 | 72283000 | 1 | AXLE JOINT F. SMARTVALVE HANDL |



FOR FITTINGS AND
HOSES, SEE SECTION L

B0610

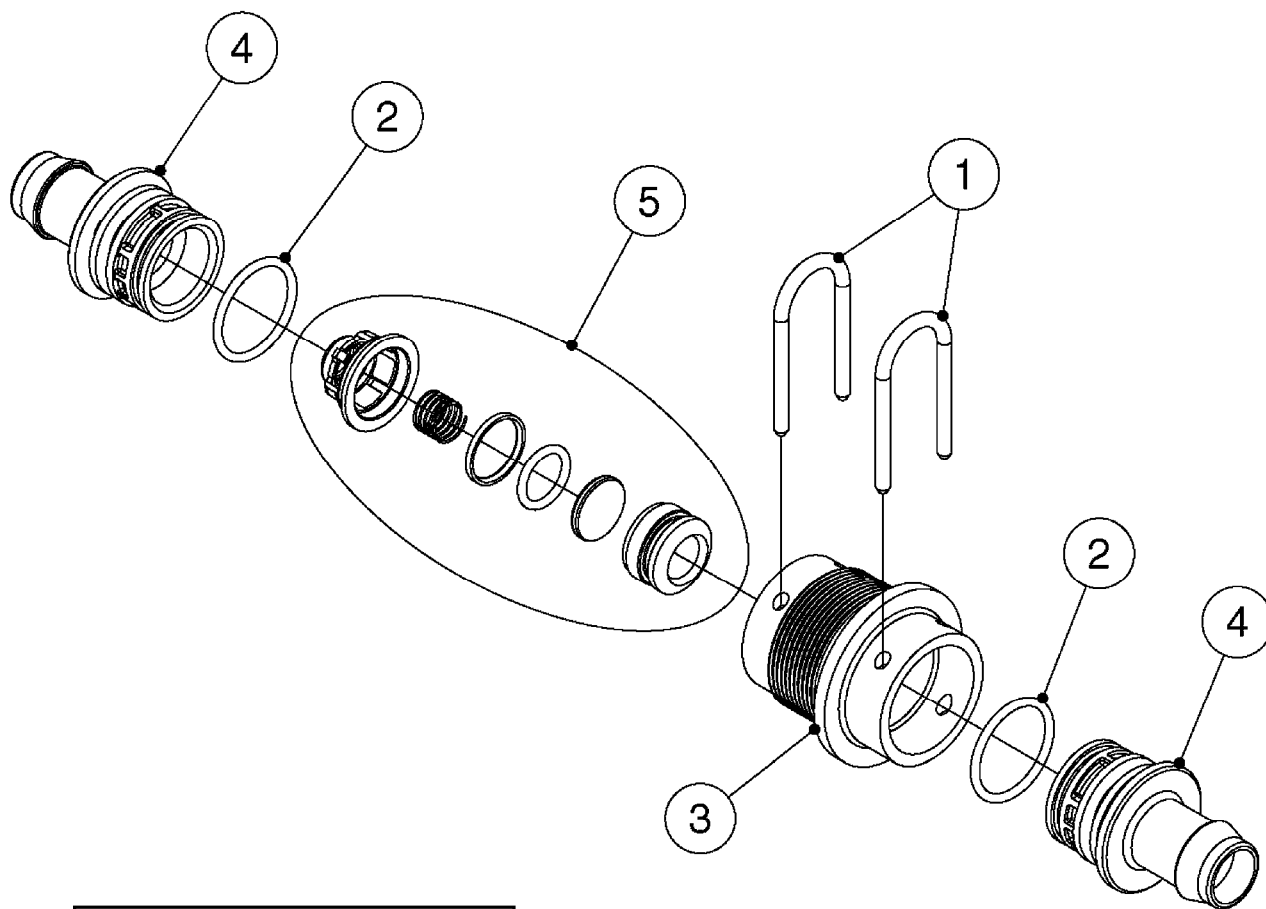


CHECK VALVES - S40
B0610-HIN, 04:01:18

Page 1

Date 07.02.2020 10:25

| Pos. | parts-n° | order qty | description |
|------|----------|-----------|--------------------------------|
| 1 | 145994 | 1 | FITT.DK S-40 FORK |
| 2 | 231346 | 1 | QUICK COUPLER 1/8"BSP X 4 MM |
| 3 | 241905 | 1 | O-RING 12,3X2,4 VITON DKR.1,05 |
| 4 | 322102 | 1 | FITT.DK S-40 BULKHEAD |
| 5 | 615522 | 1 | CHECK VALVE F.FOAM MARKER |
| 6 | 726693 | 1 | FITT.DK S-40 PLUG 1/8BSP ORING |
| 7 | 70036203 | 1 | RINSE PRESSURE KIT |



FOR FITTINGS AND
HOSES, SEE SECTION L

B0620

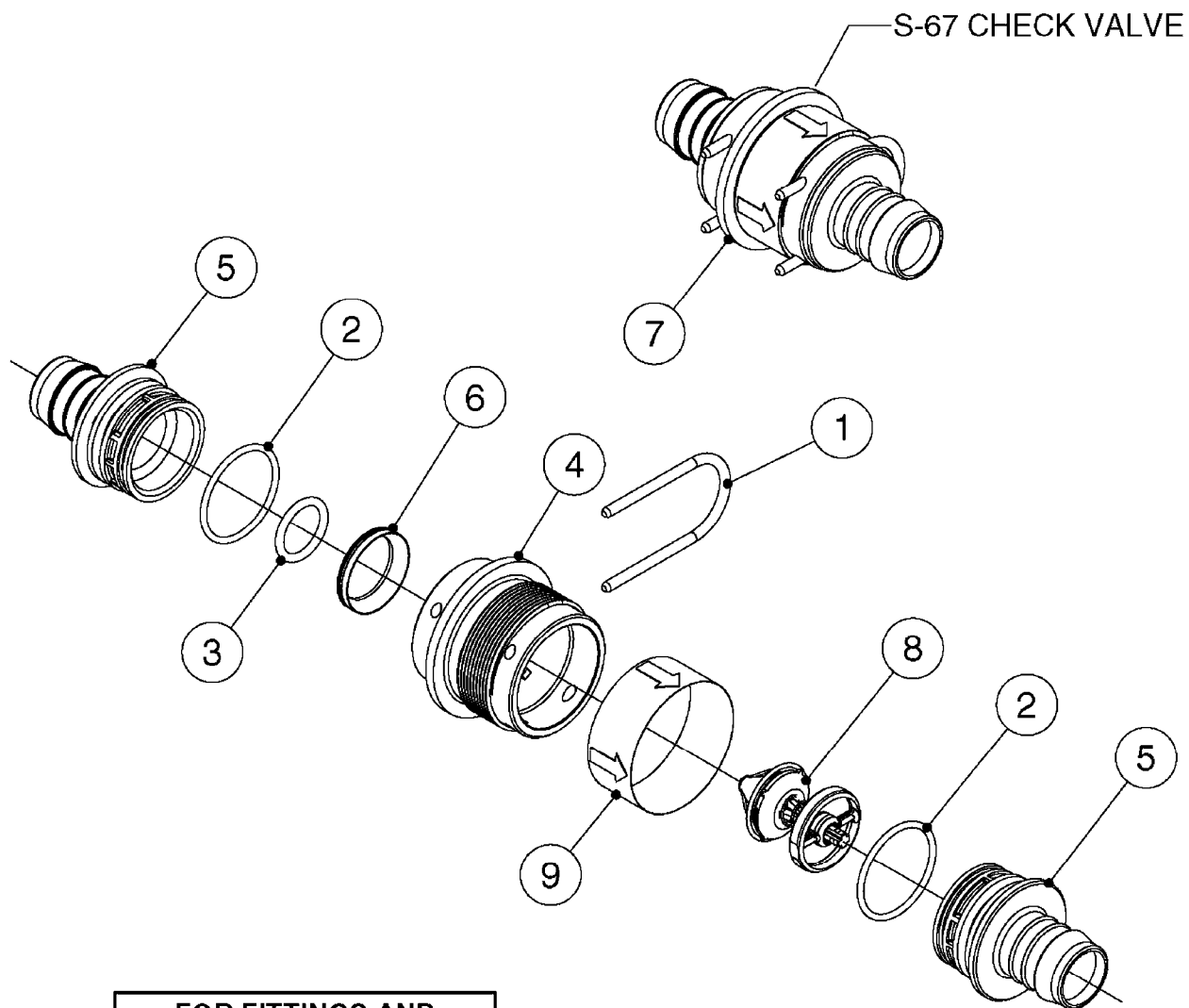


CHECK VALVES - S53
B0620-HIN, 01:01:16

Page 1

Date 07.02.2020 10:25

| Pos. | parts-n° | order qty | description |
|------|----------|-----------|-----------------------------|
| 1 | 145995 | 1 | FITT.DK S-53 FORK |
| 2 | 242354 | 1 | O-RING D32.2X3.0 VITON |
| 3 | 322103 | 1 | FITT.DK S-53 BULKHEAD |
| 4 | 334230 | 1 | FITT.DK S-53 STR.1" |
| 5 | 72132600 | 1 | CHECK VALVE SUBASSEMBLY S53 |



FOR FITTINGS AND
HOSES, SEE SECTION L

B0630

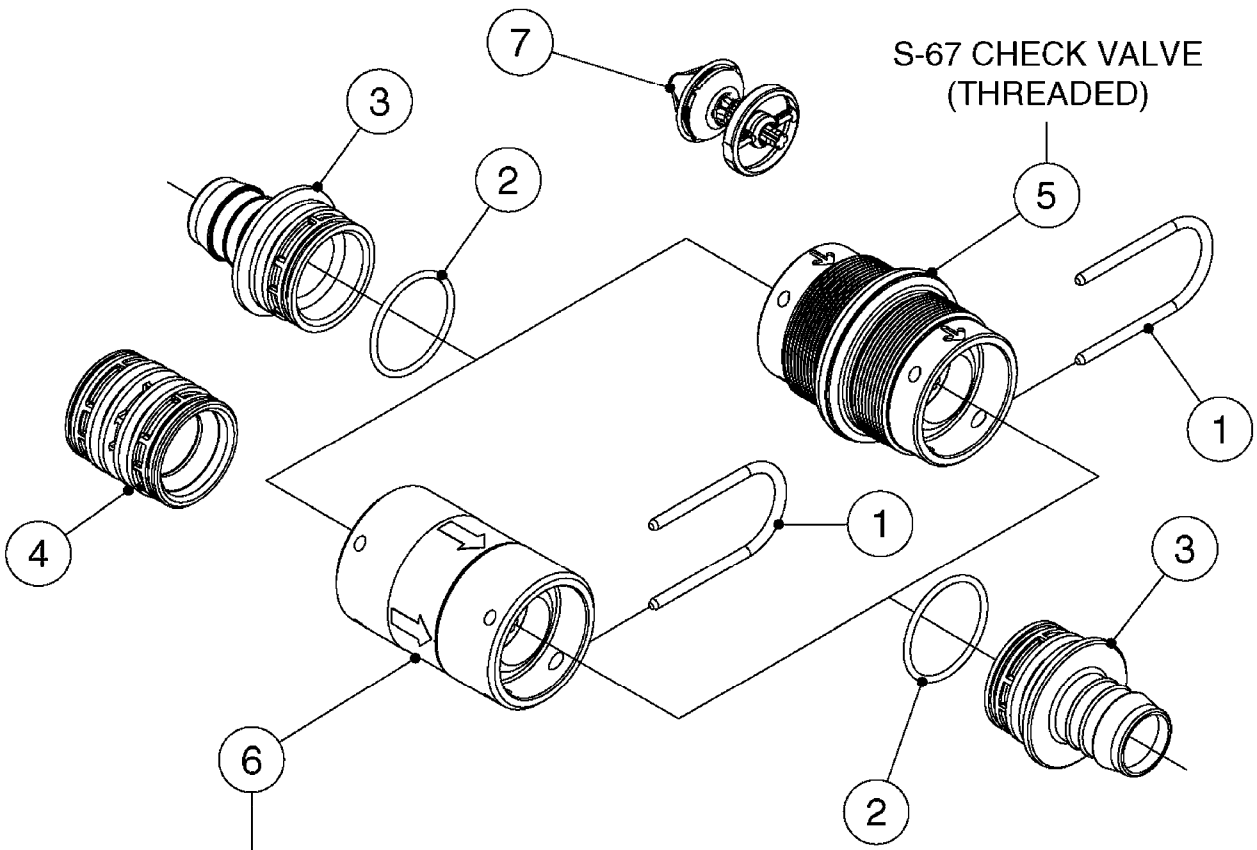


CHECK VALVES - S67
B0630-HIN, 31:07:19

Page 1

Date 07.02.2020 10:25

| Pos. | parts-n° | order qty | description |
|------|----------|-----------|--|
| 1 | 145996 | 1 | FITT.DK S-67 FORK |
| 2 | 241973 | 1 | O-RING Ø3 X 44.2 70 SHORES NITRIL |
| 2 | 242353 | 1 | O-RING 3 X 44.2 VITON |
| 3 | 242504 | 1 | O-RING D35x2 NITRIL |
| 4 | 322104 | 1 | FITT.DK S-67 BULKHEAD |
| 5 | 334231 | 1 | FITT.DK S-67 STR.1" |
| 5 | 334232 | 1 | FITT.DK S-67 STR.1-1/4" |
| 5 | 334444 | 1 | FITT.DK S-67 STR.1-1/2" PVC |
| 6 | 14103100 | 1 | SEAT F.CHECK VALVE D40.8 2010 |
| 7 | 70063603 | 1 | VALVE, CHECK S67 1-1/2" |
| | | | COMPLETE IN-LINE CHECK VALVE FOR 1-1/2" HOSE |
| 7 | 72001803 | 1 | CHCK VLV,S67, 2 X 1" HB |
| | | | COMPLETE IN-LINE CHECK VALVE FOR 1" HOSE |
| 7 | 72206600 | 1 | CHCK VLV,S67, 2 X 1.25" HB |
| | | | COMPLETE IN-LINE CHECK VALVE FOR 1-1/4" HOSE |
| 8 | 72089900 | 1 | CHECK VALVE S67 SUBASMBLY.2001 |
| 9 | 97800500 | 1 | DECAL 230X28 BLACK ARROW |



S-67 CHECK VALVE
(NON-THREADED)

S-67 CHECK VALVE
(THREADED)

FOR FITTINGS AND
HOSES, SEE SECTION L

B0640

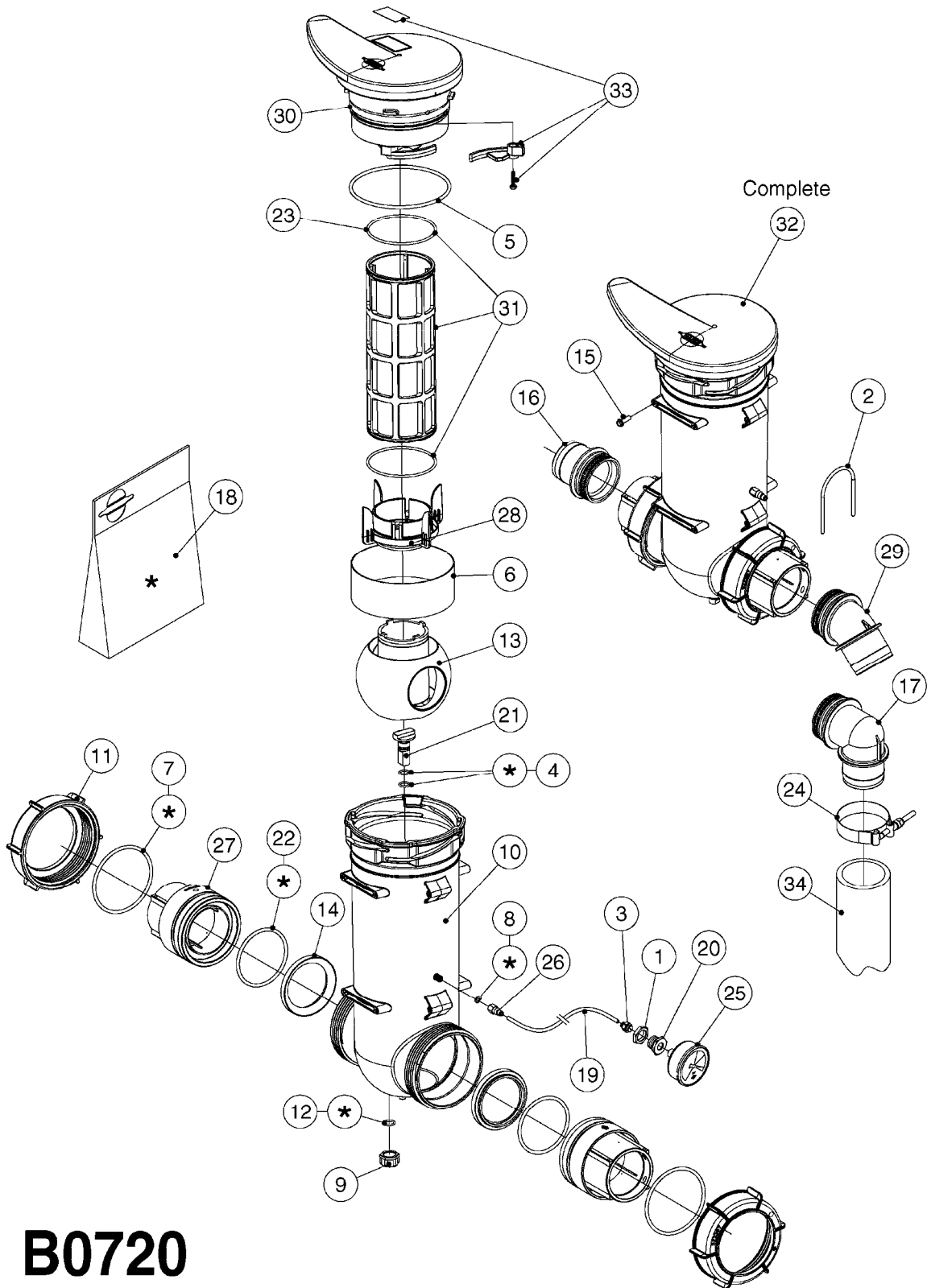


CHECK VALVES - S67 (2011)
B0640-HIN, 15:10:19

Page 1

Date 07.02.2020 10:25

| Pos. | parts-n° | order qty | description |
|------|----------|-----------|---|
| 1 | 145996 | 1 | FITT.DK S-67 FORK |
| 2 | 242353 | 1 | O-RING 3 X 44.2 VITON |
| 3 | 334231 | 1 | FITT.DK S-67 STR.1" |
| 3 | 334232 | 1 | FITT.DK S-67 STR.1-1/4" |
| 4 | 72432400 | 1 | FITT.DK S-67 CONNEC W.CHK SEAT |
| 5 | 72819200 | 1 | CHECK VALVE S67 2012 THREADED |
| 6 | 72819300 | 1 | CHECK VALVE S67 2012 NO THREAD |
| 7 | 72878800 | 1 | CHECK VALVE S67 SUBASSEMBLY 2013 INCLUDED WITH #5 & #6 |



B0720

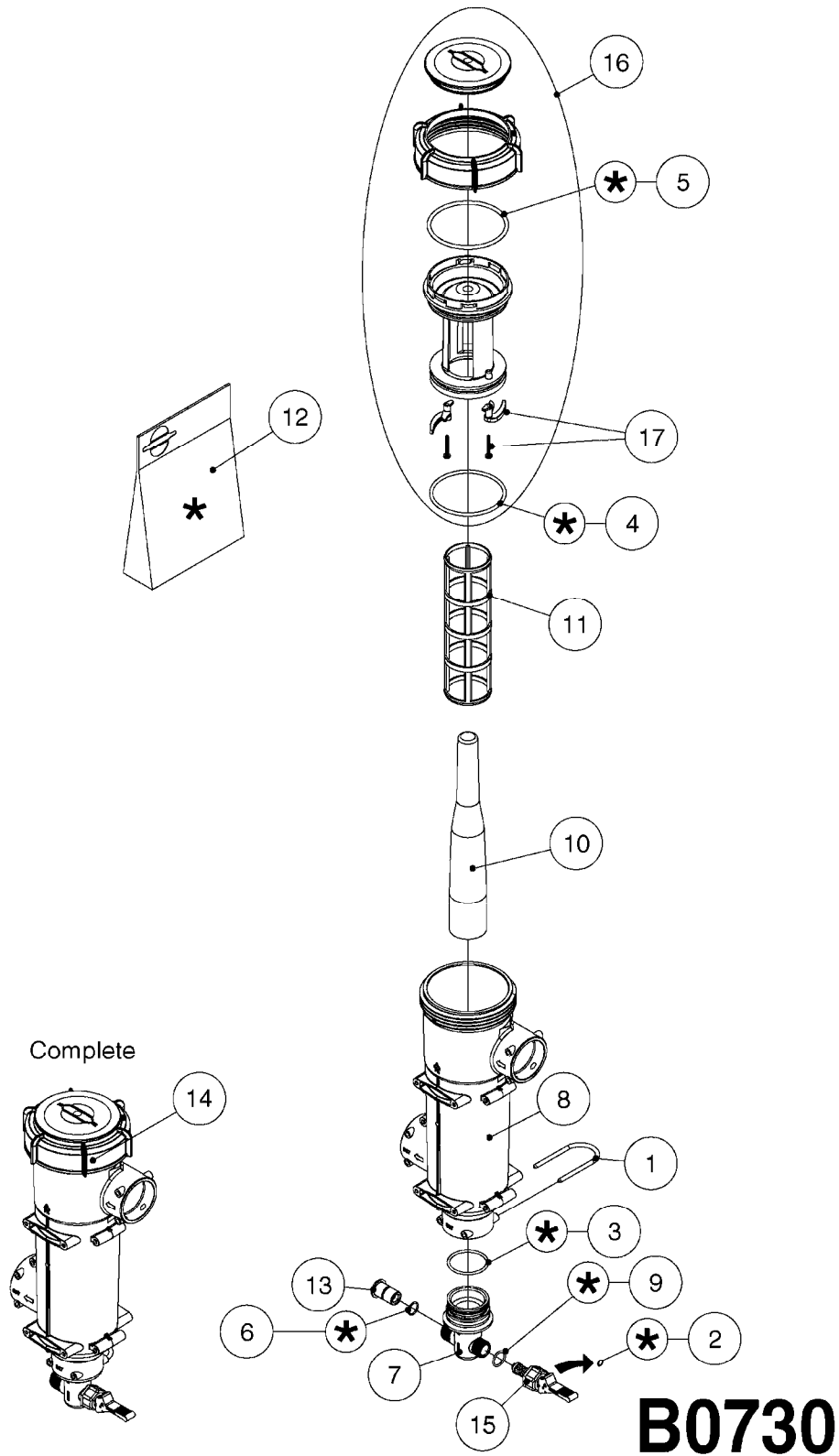


EASY CLEAN FILTER
B0720-HIN, 01:01:16

Page 1

Date 07.02.2020 10:25

| Pos. | parts-n° | order qty | description |
|------|----------|-----------|---------------------------------|
| 1 | 140766 | 1 | NUT 1/2" BSP |
| 2 | 145997 | 1 | FITT.DK S-93 FORK |
| 3 | 231346 | 1 | QUICK COUPLER 1/8"BSP X 4 MM |
| 4 | 240936 | 1 | O-RING D13.3X2.4 NITRIL |
| 5 | 242570 | 1 | O-RING D150.0 x5.0 SH70 VITON |
| 6 | 242572 | 1 | RUBBER BELT Ø160x1.5 B=60 EPDM |
| 7 | 242573 | 1 | O-RING Ø104.14X5.33SH70 NITRIL |
| 8 | 242593 | 1 | GASKET Ø8/Ø5x1 (PA) 266N-M5X1 |
| 9 | 320047 | 1 | FITT.DK CAPNUT 1/2" BSP |
| 10 | 322356 | 1 | EASYCLEAN FILTER HOUSING |
| 11 | 322357 | 1 | CAP F. COUPLER EASYCLEAN FILTE |
| 12 | 330212 | 1 | O-RING D19/D14X2.4 F.1/2"NUT |
| 13 | 391090 | 1 | BALL F. EASYCLEAN FILTER ON/OF |
| 14 | 391091 | 1 | SEAL F. BALL EASYCLEAN FILTER |
| 15 | 440698 | 1 | SCREW F.PLASTIC 6X18 SS HEXHD |
| 16 | 727133 | 1 | FITT. S93 2-1/2" STR. S W/O-RI |
| 17 | 727226 | 1 | FITT. S93 2-1/2" 90° S W/O-RING |
| 18 | 741826 | 1 | SEAL KIT F. EASYCLEAN FILTER |
| 19 | 927253 | 1 | RED AIR HOSE, Ø4/2 1810 E |
| 20 | 14055400 | 1 | FITT.DK REDUC 1/2"x1/8"x1/4"BS |
| 21 | 14117700 | 1 | SPINDLE S93 L46 NV13 SS |
| 22 | 24260100 | 1 | O-RING Ø88.0X5.0 SH70 VITON |
| 23 | 24260700 | 1 | O-RING Ø101.19X3.53 SH70 VITON |
| 24 | 28030303 | 1 | CLAMP HOSE T-BOLT S2.5" 235-76 |
| 25 | 28053400 | 1 | GAUGE VACUUM SUCT. FILTER NCM |
| 26 | 28054300 | 1 | QUICK COUPLER 1/8"BSP/Ø4 FEMAL |
| 27 | 33503200 | 1 | HOSE COUPLER F. EASYCLEAN FILT |
| 28 | 33503600 | 1 | FILTER CARRIER F. EASYCLEAN |
| 29 | 72072900 | 1 | FITT. S93 2-1/2" 45° S W/O-RING |
| 30 | 72270600 | 1 | LID ASSM. EASYCLEAN FILTER |
| 31 | 72278800 | 1 | FILTER 30 MESH GREEN D110/284 |
| 31 | 72278900 | 1 | FILTER 50 MESH BLUE D110/284 |
| 31 | 72279000 | 1 | FILTER 80 MESH RED D110/284 |
| 32 | 72318900 | 1 | EASYCLEAN FILTER COMPL. |
| 33 | 74192800 | 1 | FILTER LOCK PARTS - EASYCLEAN |
| 34 | 92702803 | 1 | HOSE PVC SUCT GRAY 2.5" |



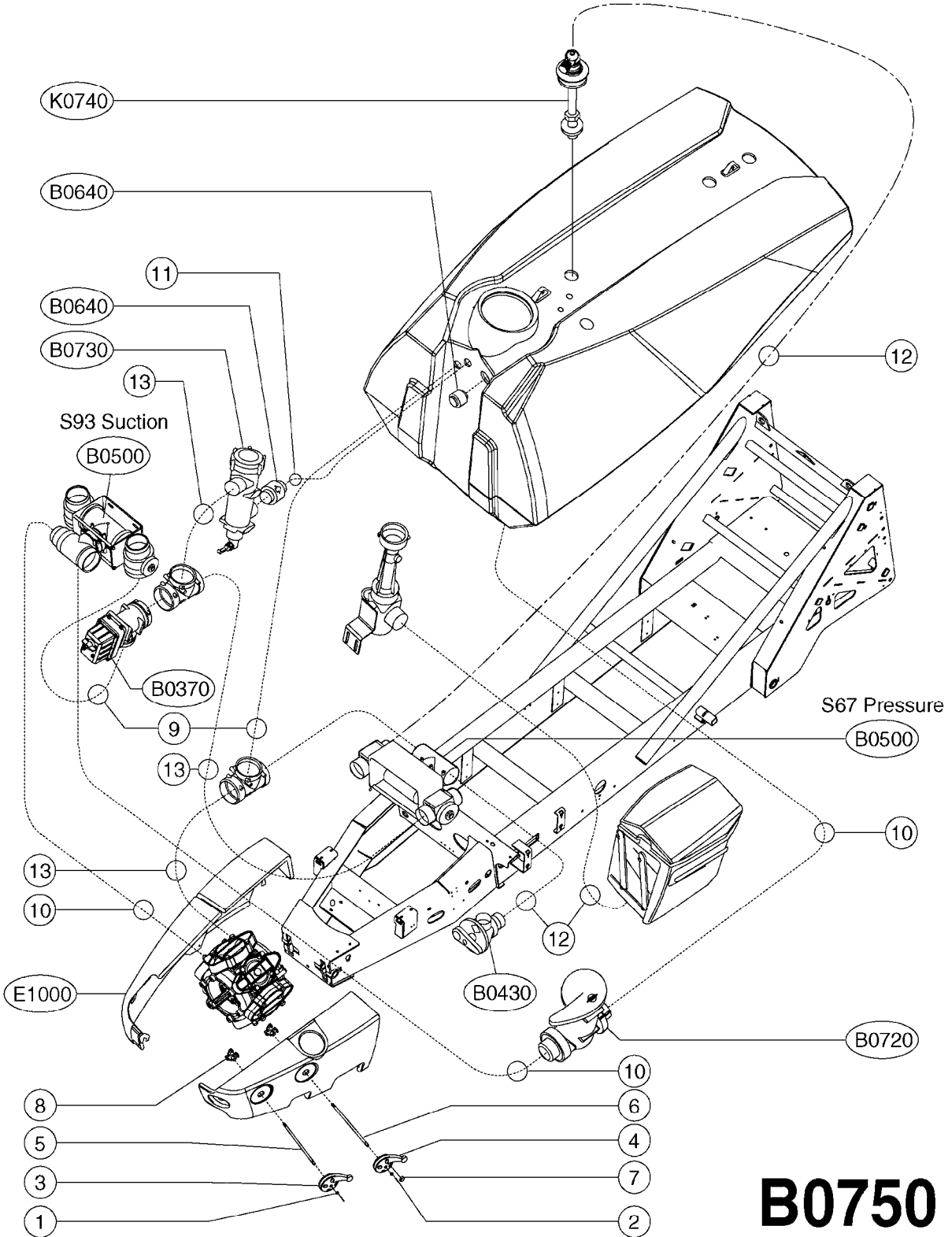


PRESSURE FILTER - CYCLONE
B0730-HIN, 01:01:16

Page 1

Date 07.02.2020 10:25

| Pos. | parts-n° | order qty | description |
|------|----------|-----------|--------------------------------|
| 1 | 145996 | 1 | FITT.DK S-67 FORK |
| 2 | 241323 | 1 | O-RING D5.3X2.4 NITRIL |
| 3 | 242353 | 1 | O-RING 3 X 44.2 VITON |
| 4 | 242565 | 1 | O-RING Ø 85 X 4.0 SH70 VITON |
| 5 | 242577 | 1 | O-RING Ø 86 X 4.5 SH70 VITON |
| 6 | 242594 | 1 | O-RING D14 X 1.78 SCH.70-EPDM |
| 7 | 322358 | 1 | T-PIECE S67-1/2"-3/4" |
| 8 | 322359 | 1 | CYCLONE FILTER HOUSING |
| 9 | 330315 | 1 | O-RING D18.4/D13X.6 |
| 10 | 391093 | 1 | CONE F. CYCLONE FILTER |
| 11 | 61036000 | 1 | FILTER ELEM.S93,100 MSH-YELLOW |
| 11 | 615416 | 1 | FILTER ELEM.S93,50 MESH-BLUE |
| 11 | 72557200 | 1 | FILTER ELEM.S93,80# CYCLONE |
| 12 | 741827 | 1 | SEAL KIT CYCLONE FILTER |
| 13 | 39127500 | 1 | VALVE SEAT D18/10 3/4"-1/2" 09 |
| 14 | 72281200 | 1 | CYCLONE FILT.COMP. 80 MSH S67 |
| 14 | 72316500 | 1 | CYCLONE FILT.COMP.50 MSH S67 |
| 14 | 72316600 | 1 | CYCLONE FILT.COMP.100 MSH S67 |
| 15 | 72281300 | 1 | VALVE BOOSTER/ON/OFF CYCLONE F |
| 16 | 72352200 | 1 | LID COMPLETE F. CYCLONE FILTER |
| 17 | 74192900 | 1 | FILTER LOCK PARTS - CYCLONE |



B0750



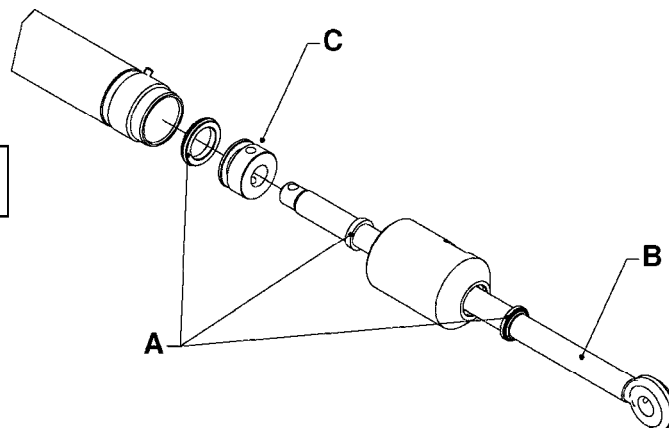
NCM 8500-10000 MANIFOLD
B0750-HIN, 16:07:19

Page 1
Date 07.02.2020 10:25

| Pos. | parts-n° | order qty | description |
|------|----------|-----------|--------------------------------|
| 1 | 334594 | 1 | PLUG F.VALVE HANDLE BLACK |
| 2 | 411006 | 1 | SCREW M4X40 SLOTTED |
| 3 | 741844 | 1 | VALVE HANDLE ASSY. SUCTION NCM |
| 4 | 741845 | 1 | VALVE HANDLE ASSY. PRESSUR NCM |
| 5 | 14038100 | 1 | AXLE FOR SUCTION VALVE HANDLE |
| 6 | 14038200 | 1 | AXLE FOR PRESSURE VALVE HANDLE |
| 7 | 33505200 | 1 | PLUG FOR SMART VALVE HANDLE |
| 8 | 72283000 | 1 | AXLE JOINT F. SMARTVALVE HANDL |
| 9 | 92702703 | 1 | HOSE PVC SUCT GRAY 2" |
| 10 | 92702803 | 1 | HOSE PVC SUCT GRAY 2.5" |
| 11 | 92703203 | 1 | HOSE R X3/4" X300PSI WP X0012" |
| 12 | 92712403 | 1 | HOSE R X1" X300PSI WP X0012" |
| 13 | 92734403 | 1 | HOSE R X5/4" X200PSI WP X0012" |



Check cylinder barrel for stamped part number.



| | | A | B | C |
|--------|--------|--------|----------|----------|
| 781030 | | 750247 | 615030 | 146443 |
| 781031 | | 750248 | 615040 | 146484 |
| 781033 | | 750248 | 615174 | 146484 |
| 781035 | | 750247 | 146610 | 146443 |
| | 781038 | 750247 | 615210 | 146443 |
| 781039 | | 750250 | 615656 | 147254 |
| | 781041 | 750253 | 615232 | 146749 |
| | 781043 | 750251 | 615210 | 146858 |
| 781044 | | 750248 | 615316 | 146484 |
| 781045 | | 750273 | 615358 | 146443 |
| | 781047 | 750251 | 615363 | 146858 |
| | 781051 | 750273 | 615570 | 146443 |
| 781052 | | 750273 | 147127 | 146443 |
| 781053 | | 750273 | 147151 | 146443 |
| 781058 | | 750251 | 615643 | 146858 |
| 781060 | | 750250 | 615656 | 147254 |
| 781065 | | 750273 | 147127 | 146443 |
| 781067 | | 755695 | 147468 | 147469 |
| 781078 | | 750251 | 615643 | 146858 |
| 781080 | | 750247 | 147601 | 146443 |
| 781083 | | 755697 | 616065 | 147463 |
| 781084 | | 750247 | 616070 | 146443 |
| 781087 | | 750689 | 147127 | 146858 |
| 781090 | | 750669 | 61003600 | 14005600 |

| | | A | B | C |
|----------|--|--------|----------|----------|
| 781093 | | 750693 | 14018900 | 14022200 |
| 781096 | | 750691 | 61025200 | 14015500 |
| 781097 | | 750691 | 61022800 | 14015500 |
| 781100 | | 750692 | 14022400 | 14038500 |
| 781107 | | 750713 | 14028900 | 14024100 |
| 781109 | | 750713 | 14029100 | 14024100 |
| 781111 | | 750713 | 14029100 | 14024100 |
| 781113 | | 750714 | 61028900 | 14038400 |
| 781115 | | 750709 | 61029200 | 14029700 |
| 781116 | | 750712 | 14030200 | 14038400 |
| 781118 | | 750710 | 14030600 | 14029700 |
| 781119 | | 750710 | 14030700 | 14029700 |
| 781121 | | 750711 | 14030900 | 14029700 |
| 781122 | | 750711 | 14030900 | 14029700 |
| 781123 | | 750711 | 14031100 | 14029700 |
| 781124 | | 750711 | 14031100 | 14029700 |
| 781126 | | 750710 | 14036200 | |
| 781127 | | 750709 | 61033600 | |
| 781130 | | 750715 | 61031000 | 14027500 |
| 781132 | | 750668 | 63039300 | |
| 781138 | | 750715 | 61038000 | 14027500 |
| 781139 | | 750725 | 615656 | |
| 781141 | | 750724 | 61022800 | |
| 78100003 | | 750691 | 61022800 | 14008203 |

C0020



| parts-n° | order qty | description |
|----------|-----------|--------------------------------|
| 146443 | 1 | HYDR.PISTON D49.8/23.0 L=35 |
| 146484 | 1 | HYDR.PISTON D39.8/18.0 L=25 |
| 146610 | 1 | PISTON ARM F.CYL Ø50/25-150 |
| 146749 | 1 | PISTON RING F.D70/50-700 |
| 146858 | 1 | HYDR.PISTON D59.8/23.0 L=35 |
| 147127 | 1 | PISTON BAR Ø30,0 - 385MM |
| 147151 | 1 | PISTON BAR D30.0 - 585MM |
| 147254 | 1 | HYDR.PISTON D25/12 L=12 |
| 147463 | 1 | PISTON RING F.D70/40 |
| 147468 | 1 | ROD CYLINDER F. 781067 HYD CYL |
| 147469 | 1 | PISTON F. 781067 HYD CYL |
| 147601 | 1 | PISTON ARM F. CYL. Ø25 L=348 |
| 615030 | 1 | PISTON ARM F.CYL Ø50/25-300 |
| 615040 | 1 | PISTON ARM F.CYL Ø40/20-120 |
| 615174 | 1 | PISTON ROD F. HY CYLINDER |
| 615210 | 1 | HINGE PIN W.FORK L=1015 |
| 615232 | 1 | PISTON ARM F.CYL Ø70/50-700 |
| 615316 | 1 | PISTON ARM F. CYL. D40/20-500 |
| 615358 | 1 | PISTON ARM F.CYL Ø50/30-500 |
| 615363 | 1 | PISTON ARM F.CYL Ø25 L=1315 |
| 615570 | 1 | CYLINDER ROD F.HY CYL.781051 |
| 615643 | 1 | PISTON BAR 060-25 - 830MM |
| 615656 | 1 | PISTON BAR FOR 025/12-50 |
| 616065 | 1 | PISTON ARM F. CYL. Ø40/400 |
| 616070 | 1 | PIST ARM Ø50/25L=300alt781113 |
| 750247 | 1 | SEAL KIT F.HY CYL.781030/35/38 |
| 750248 | 1 | SEAL KIT F.HY CYL.781031/33 |
| 750250 | 1 | SEAL KIT F.HY CYL.781039 |
| 750251 | 1 | SEAL KIT F.HY CYL. |
| 750253 | 1 | SEAL KIT F.HY CYL.781041 |
| 750273 | 1 | GASKET SET F.HY-CYL 781051-52 |
| 750668 | 1 | SEAL KIT F.HY DAMPER 781089 |
| 750669 | 1 | SEAL KIT F.HY CYL. 781090 |
| 750689 | 1 | SEAL KIT F.HY CYL.781087 |
| 750691 | 1 | SEAL KIT F HY CYL.781095/96/97 |
| 750692 | 1 | SEAL KIT F.HY CYL.781100 |
| 750693 | 1 | SEAL KIT F.HY CYL.781093 |
| 750709 | 1 | GASKET SET F.781115/25 |
| 750710 | 1 | SEAL KIT F.HY CYL.781118/19/20 |
| 750711 | 1 | SEAL KIT F.781121/22/23/24 |
| 750712 | 1 | SEAL KIT F.781116 |
| 750713 | 1 | SEAL KIT F HY CYL.781103/6/7/8 |
| 750714 | 1 | SEAL KIT F.HY CYL.781113/14/17 |
| 750715 | 1 | SEAL KIT F.HY CYL.781105/30/38 |
| 750724 | 1 | SEAL KIT F.HY CYL.781141 |
| 750725 | 1 | SEAL KIT F.HY CYL.781131-39 |
| 755695 | 1 | SEAL KIT F. HYD CYL 781067 |
| 755697 | 1 | SEAL KIT F.HY CYL.781083 |
| 781030 | 1 | CYLINDER DOUBLE Ø50/25-300 |
| 781031 | 1 | CYLINDER DOUBLE Ø40/20-120 |
| 781033 | 1 | CYLINDER DOB Ø40/20-300 781115 |
| 781035 | 1 | CYLINDER DOUBLE Ø50/25-150 |
| 781038 | 1 | CYLINDER Ø50/25-900 |
| 781039 | 1 | CYL D25/12-50 172MM alt 781139 |
| 781041 | 1 | CYLINDER DOUBLE Ø70/50-700 |
| 781043 | 1 | CYLINDER DOUBLE D60/25-900 |
| 781044 | 1 | CYLINDER DOUBLE D40/20-300 |
| 781045 | 1 | CYLINDER DOUBLE Ø50/30-500 |
| 781047 | 1 | CYLINDER Ø60/25-1200 |
| 781051 | 1 | CYLINDER DOUBLE Ø50/30-600 |
| 781052 | 1 | SUBSTITUTE 78121600 |



| parts-n° | order qty | description |
|----------|-----------|--------------------------------|
| 781053 | 1 | CYL F INN WING FLD alt 781107 |
| 781058 | 1 | CYLINDER 60/25 X 725 CM PAR LH |
| 781060 | 1 | CYLINDER D25/12-50 L=210mm |
| 781065 | 1 | CYLINDER F.WING TILT |
| 781067 | 1 | CYL DOUB D50/30-300 78121600 |
| 781078 | 1 | CYLINDER 60/25 X 725 CM PAR RH |
| 781080 | 1 | CYLINDER DOUBLE D50/25-250 |
| 781083 | 1 | CYLINDER DOUBLE D70/40-400 |
| 781084 | 1 | CYLINDER D50/25 L=300 |
| 781087 | 1 | CYL DOUB 60/30-300 alt 781100 |
| 781090 | 1 | CYL DBLD32/16-200W |
| 781093 | 1 | CYLINDER FOLD SPC D60/30 L=300 |
| 781096 | 1 | CYLINDER 60/25 X 662 NAV PAR |
| 781097 | 1 | CYLINDER 60/25 X 725 CM PAR |
| 781100 | 1 | CYLINDER DOUBLE 60/30-300 |
| 781107 | 1 | DOBCYL50/30-500/M24X2 78121200 |
| 781109 | 1 | DOUBLE CYLINDER D 50/30-300 |
| 781111 | 1 | CYL DOUB D50/30-300 78121600 |
| 781113 | 1 | CYLINDER D50/25 L=300 |
| 781115 | 1 | CYLINDER DOUBLE Ø40/20-300 |
| 781116 | 1 | CYLINDER DOUBLE D50/25-298 |
| 781118 | 1 | CYLINDER DOUBLE D40/20-180 |
| 781119 | 1 | DOUBLE CYLINDER D 40/20-300 |
| 781121 | 1 | CYLINDER D40/22-300 BLACK |
| 781122 | 1 | CYLINDER D40/22X300MM RED |
| 781123 | 1 | CYLINDER D40/22-300 BLACK |
| 781124 | 1 | CYLINDER 40/22X300MM RED |
| 781126 | 1 | CYLINDER DOUBLE D40/20-120 |
| 781127 | 1 | CYLINDER D40/20-120 |
| 781130 | 1 | CYLINDER DOUBL. D70/40-320 |
| 781132 | 1 | CYL.STAB CM1200 04 78126000 |
| 781138 | 1 | CYLINDER DOUBL. D70/40-265 |
| 781139 | 1 | CYLINDER D25/12-50 |
| 781141 | 1 | CYLINDER 60/25 X 635 DELTA PAR |
| 14005600 | 1 | HYDR.PISTON D32.0/16.0 L=25 |
| 14008203 | 1 | HYD. CYLINDER PISTON CM+750 |
| 14015500 | 1 | HYDR.PISTON D60.0/25.0 L=40 |
| 14018900 | 1 | PISTON ARM F. CYL. Ø30 L=420 |
| 14022200 | 1 | HYDR.PISTON D59.4/20.0 L=34.9 |
| 14022400 | 1 | PISTON ARM F. CYL. Ø60 L=412 |
| 14024100 | 1 | HYDR.PISTON D49.4/20.0 L=35 |
| 14027500 | 1 | HYDR.PISTON D69.4/24.0 L=35 |
| 14028900 | 1 | CYLINDER ROD D30.0 L=609.0 |
| 14029100 | 1 | CYLINDER ROD D30.0 L=409.0 |
| 14029700 | 1 | HYDR.PISTON D38.0/16.0 L=25 |
| 14030200 | 1 | CYLINDER ROD D25.0 L=398 |
| 14030600 | 1 | CYLINDER ROD D20.0 L=281.0 |
| 14030700 | 1 | CYLINDER ROD D20.0 L=401 |
| 14030900 | 1 | CYLINDER ROD D22.0 L=401 |
| 14031100 | 1 | CYLINDER ROD D22.0 L=439/M22 |
| 14036200 | 1 | CYLINDER ROD D20.0 L=221.0 |
| 14038400 | 1 | HYDR.PISTON D49.4/20.0 L=34.9 |
| 14038500 | 1 | PISTON HYD. CYL. Ø60/Ø25 |
| 61003600 | 1 | CYLINDER ROD F. 781090 |
| 61022800 | 1 | PISTON ARM F.CYL.Ø60/25L=856.5 |
| 61025200 | 1 | PISTON ARM F.CYL.Ø60/25L=786.5 |
| 61028900 | 1 | PISTON ARM F.CYL.Ø50/25-300 |
| 61029200 | 1 | PISTON ARM F.CYL.Ø40/20-300 |
| 61031000 | 1 | CYLINDER ROD FOR D70/40 - 320 |
| 61033600 | 1 | PISTON ARM F.CYL.Ø40/20 L=120 |
| 61038000 | 1 | CYLINDER ROD FOR D70/40 |



HYDRAULICS - CYLINDERS
C0020-HIN, 01:01:16

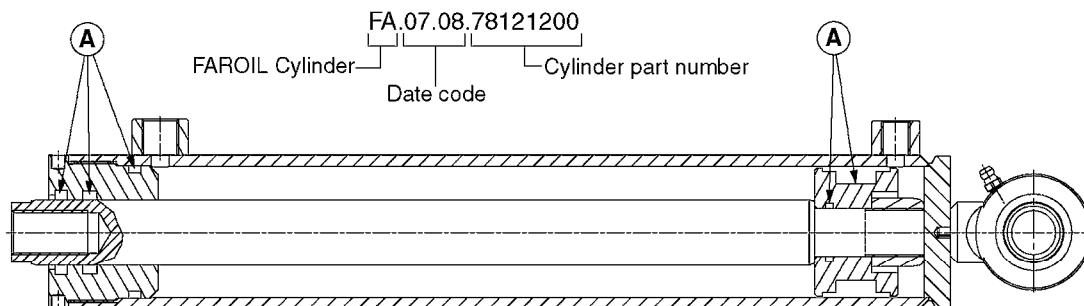
Page 3

Date 07.02.2020 10:25

| parts-n° | order qty | description |
|----------------------|-----------|---|
| 63039300 78100003 | 1 1 | CYLINDER ROD F.781132 CYL. PARA-LIFT CM+750 W/STOP |



Check cylinder barrel for stamped part number.



FAROIL cylinders directly replace the cylinders in the chart below. Seal kits (A) are for FAROIL cylinders only. Seal kits for replaced cylinders can be found on pages C0010 and C0020.

| FAROIL Cylinder # | Replaces Cylinder # | FAROIL Seal Kit (A) |
|-------------------|---------------------|---------------------|
| 78120000 | 781001 | 75075900 |
| 78120100 | 781011 | 75076000 |
| 78120200 | 781034 | 75075900 |
| 78120300 | 781040 | 75076100 |
| 78120500 | 781093 | 75074600 |
| 78120600 (LH) | 781096* | 28117300 |
| 78120700 (LH) | 781097* | 28117300 |
| 78120800 | 781100 | 75075400 |
| 78121000 | - | 75075500 |
| 78121200 | 781107 | 75074500 |
| 78121400 | 781109 | 75075200 |
| 78121600 | 781111 | 75074500 |
| 78121800 | 781113 | 75074400 |
| 78122000 | 781115 | 75074300 |
| 78122100 | 781116 | 75074400 |
| 78122300 | 781118 | 75074300 |
| 78122400 | 781119 | 75074300 |
| 78122600 | 781121 | 75075000 |
| 78122700 | 781122 | 75075000 |

| FAROIL Cylinder # | Replaces Cylinder # | FAROIL Seal Kit (A) |
|-------------------|---------------------|---------------------|
| 78122800 | 781123 | 75075000 |
| 78122900 | 781124 | 75075000 |
| 78123100 | 781126 | 75074300 |
| 78123200 | 781127 | 75074300 |
| 78123300 (LH) | 78115000* | 75075500 |
| 78124100 (RH) | 78115100* | 75075500 |
| 78124200** | 781139 | 75074800 |
| 78124300 (LH) | 781141* | 28117300 |
| 78124600 | 781115 | 75074300 |
| 78125100 (RH) | 78115000* | 75075500 |
| 78125300 (LH) | 78115100* | 75075500 |
| 78125500 (RH) | 781096* | 28117300 |
| 78125600 (RH) | 781097* | 28117300 |
| 78125700 (RH) | 781141* | 28117300 |
| 78126000 | 781132 | 75074900 |
| 78126400 | 781090 | 75076500 |
| 78128000 | 78120500 | 75074600 |
| 78128800 | 78121200 | 75075200 |

*Replaced by separate left and right cylinders.

** Only available as 72531000 (78124200 with fittings).

C0030



| parts-n° | order qty | description |
|----------|-----------|--|
| 781001 | 1 | CYL.TELESOPING Ø50/40/25_1100 |
| 781011 | 1 | CYLINDER TELESC.70/60/40 |
| 781034 | 1 | HY. CYLINDER D50/40/25 - 1200 |
| 781040 | 1 | CYLINDER 60/50/30 1100MM |
| 781090 | 1 | CYL DBLD32/16-200W |
| 781093 | 1 | CYLINDER FOLD SPC D60/30 L=300 |
| 781096 | 1 | CYLINDER 60/25 X 662 NAV PAR |
| 781097 | 1 | CYLINDER 60/25 X 725 CM PAR |
| 781100 | 1 | CYLINDER DOUBLE 60/30-300 |
| 781107 | 1 | DOBCYL50/30-500/M24X2 78121200 |
| 781109 | 1 | DOUBLE CYLINDER D 50/30-300 |
| 781111 | 1 | CYL DOUB D50/30-300 78121600 |
| 781113 | 1 | CYLINDER D50/25 L=300 |
| 781115 | 1 | CYLINDER DOUBLE Ø40/20-300 |
| 781116 | 1 | CYLINDER DOUBLE D50/25-298 |
| 781118 | 1 | CYLINDER DOUBLE D40/20-180 |
| 781119 | 1 | DOUBLE CYLINDER D 40/20-300 |
| 781121 | 1 | CYLINDER D40/22-300 BLACK |
| 781122 | 1 | CYLINDER D40/22X300MM RED |
| 781123 | 1 | CYLINDER D40/22-300 BLACK |
| 781124 | 1 | CYLINDER 40/22X300MM RED |
| 781126 | 1 | CYLINDER DOUBLE D40/20-120 |
| 781127 | 1 | CYLINDER D40/20-120 |
| 781132 | 1 | CYL.STAB CM1200 04 78126000 |
| 781139 | 1 | CYLINDER D25/12-50 |
| 781141 | 1 | CYLINDER 60/25 X 635 DELTA PAR |
| 28117300 | 1 | SEAL KIT 78120600/07/43 |
| 72531000 | 1 | CYL. D25/12-50/78124200 W/FITT |
| 75074300 | 1 | SEALKIT78122000/23-25/30-32/46 |
| 75074400 | 1 | SEAL KIT 78121800/21/44 |
| 75074500 | 1 | SEALKIT78121100-13/15/16/36/48 |
| 75074600 | 1 | SEAL KIT 78120500/49 |
| 75074800 | 1 | SEAL KIT 78123400/42 |
| 75074900 | 1 | SEAL KIT 78123700 |
| 75075000 | 1 | SEAL KIT 78122600/27/28/29 |
| 75075200 | 1 | SEAL KIT 78120900/14/50 |
| 75075400 | 1 | SEAL KIT 78120800 |
| 75075500 | 1 | SEAL KIT 78121000/33/41/51/53 |
| 75075900 | 1 | SEAL KIT FOR 78120000 & 78120200 |
| 75076000 | 1 | SEAL KIT 78120100 |
| 75076100 | 1 | SEAL KIT 78120300 |
| 75076500 | 1 | SEAL KIT 78126400 |
| 78115000 | 1 | DBL CYL D70/40-320 AIRING |
| 78115100 | 1 | CYL DOB.D70/40-265 AIR INLET R |
| 78120000 | 1 | CYL.TELESOPING Ø50/40/25 1100 |
| 78120100 | 1 | CYLINDER TELESC.65/40-1237 |
| 78120200 | 1 | HY. CYLINDER D50/40/25 - 1200 |
| 78120300 | 1 | CYLINDER 60/50/30 1100MM |
| 78120500 | 1 | CYLINDER FOLD SPC D60/30 L=300 NLA - REPLACED BY 78128000 |
| 78120600 | 1 | CYLINDER 60/25 X 662 NAV PAR L |
| 78120700 | 1 | SIN.CYL.Ø60/25-725 2XØ25 LEFT |
| 78120800 | 1 | CYLINDER DOUBLE 60/30-300 |
| 78121000 | 1 | CYLINDER DOUBLE D70/40-400 |
| 78121200 | 1 | CYLINDER, D50/30-500 |
| 78121400 | 1 | DOUBLE CYLINDER D 50/30-300 |
| 78121600 | 1 | CYLINDER DOUBLE D50/30-300 |
| 78121800 | 1 | CYLINDER D50/25 L=300 |
| 78122000 | 1 | CYLINDER DOUBLE Ø40/20-300 0° |
| 78122100 | 1 | CYLINDER DOUBLE D50/25-298 |
| 78122300 | 1 | CYLINDER DOUBLE D40/20-180 |

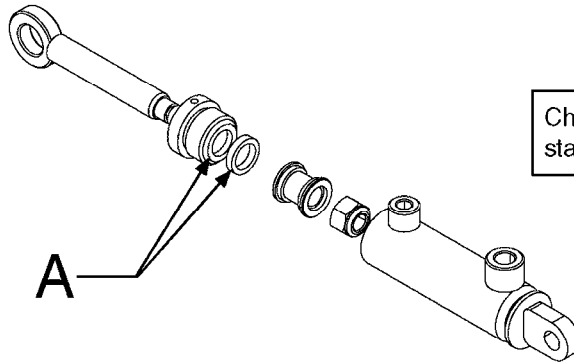


HYDRAULICS - FAROIL CYLINDERS
C0030-HIN, 01:01:16

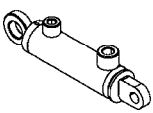
Page 2

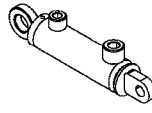
Date 07.02.2020 10:25

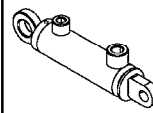
| parts-n° | order qty | description |
|----------|-----------|--------------------------------|
| 78122400 | 1 | DOUBLE CYLINDER D 40/20-300 |
| 78122600 | 1 | CYLINDER D40/22-300 BLACK |
| 78122700 | 1 | CYLINDER D40/22X300MM RED |
| 78122800 | 1 | CYLINDER D40/22-300 BLACK |
| 78122900 | 1 | CYLINDER 40/22X300MM RED |
| 78123100 | 1 | CYLINDER DOUBLE D40/20-120 |
| 78123200 | 1 | CYLINDER D40/20-120 |
| 78123300 | 1 | DBL CYL D70/40-320 AIR INLET L |
| 78124100 | 1 | CYL DOB.D70/40-265 AIR INLET R |
| 78124200 | 1 | CYLINDER D25/12-50 |
| 78124300 | 1 | CYLINDER 60/25 X 635 DELTA L |
| 78124600 | 1 | CYLINDER DOUBLE Ø40/20-300 90° |
| 78125100 | 1 | DBL CYL D70/40-320 AIR INLET R |
| 78125300 | 1 | CYL DOB.D70/40-265 AIR INLET L |
| 78125500 | 1 | CYLINDER 60/25 X 662 NAV PAR R |
| 78125600 | 1 | SIN.CYL.Ø60/25_725_2XØ25 RIGHT |
| 78125700 | 1 | CYLINDER 60/25 X 635 DELTA R |
| 78126000 | 1 | CYLINDER,DAMPNER, LOCKING |
| 78126400 | 1 | CYLINDER DBLE D32/16-200 W.STP |
| 78128000 | 1 | CYLINDER DOUB. D60/30 L=300 09 |
| 78128800 | 1 | CYLINDER, D50/30-500 |



Check cylinder barrel for stamped part number.

|  | A |
|---|----------|
| 781136 | 28064100 |
| 781137 | 28064200 |
| 78114300 | 75083800 |
| 78120000 | 75075900 |
| 78120100 | 75076000 |
| 78120200 | 75075900 |
| 78120300 | 75076100 |
| 78120400 | 75074200 |
| 78120500 | 75074600 |
| 78120600 | 28117300 |
| 78120700 | 28117300 |
| 78120800 | 75075400 |
| 78121000 | 75075500 |
| 78121200 | 75074500 |
| 78121300 | 75074500 |
| 78121400 | 75075200 |
| 78121600 | 75074500 |
| 78121800 | 75074400 |
| 78122000 | 75074300 |
| 78122100 | 75074400 |
| 78122300 | 75074300 |
| 78122400 | 75074300 |
| 78122600 | 75075000 |
| 78122700 | 75075000 |

|  | A |
|---|----------|
| 78122800 | 75075000 |
| 78122900 | 75075000 |
| 78123000 | 75074300 |
| 78123100 | 75074300 |
| 78123200 | 75074300 |
| 78123400* | 75074800 |
| 78123700 | 75074900 |
| 78124100 | 75075500 |
| 78124300 | 28117300 |
| 78124400 | 75074400 |
| 78124500 | 75076400 |
| 78124600 | 75074300 |
| 78125100 | 75075500 |
| 78125300 | 75075500 |
| 78125500 | 28117300 |
| 78125800 | 75076400 |
| 78126000 | 75074900 |
| 78126400 | 75076500 |
| 78126500 | 75074800 |
| 78127200 | 75084400 |
| 78127800 | 75084500 |
| 78128000 | 75074600 |
| 78128100 | 75084700 |
| 78128200 | 75084800 |

|  | A |
|---|----------|
| 78128500 | 75084900 |
| 78128700 | 75075200 |
| 78128800 | 75075200 |
| 78129900 | 75074300 |
| 78130600 | 75074400 |
| 78130900 | 75085400 |
| 78131000 | 75075400 |
| 78131100 | 75085500 |
| 78131200 | 75084800 |
| 78131300 | 75085800 |
| 78131400 | 75084800 |
| 78131800 | 75586200 |
| 78132600 | 75587200 |
| 78132700 | 75084600 |
| 78132800 | 75586100 |
| 78132900 | 75586100 |
| 78133300 | 75587000 |
| 78133900 | 75075500 |
| 78134000 | 75075500 |
| 78134600 | 75075400 |
| 78509004 | 75084800 |

* Only available as 72320300 (78123400 with spring lock & fittings).

C0040



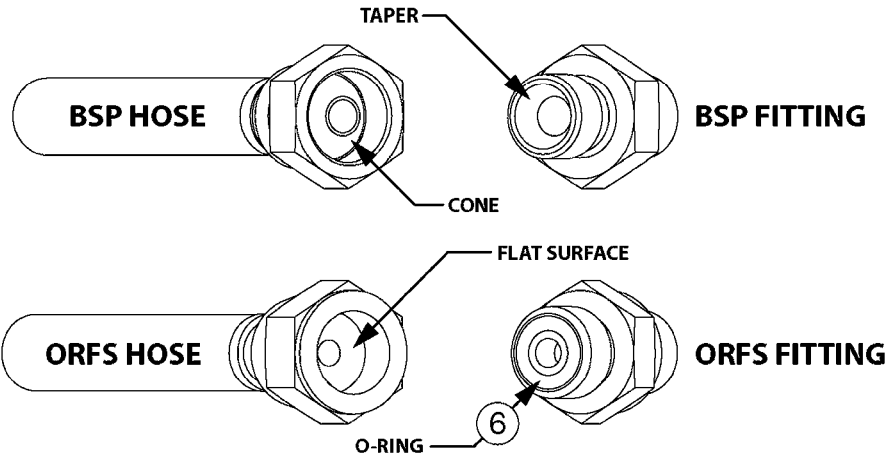
| parts-n° | order qty | description |
|----------|-----------|--|
| 781136 | 1 | HYDRAULIC SHOCK NCM4400 SUSP. |
| 781137 | 1 | HYDRAULIC SHOCK NCM6600 SUSP. |
| 28064100 | 1 | GASKET SET FOR CYL. 781136 |
| 28064200 | 1 | GASKET SET FOR CYL. 781137 |
| 28117300 | 1 | SEAL KIT 78120600/07/43 |
| 72320300 | 1 | HYD. CYL. STEERING LOCK CM "05 |
| 75074200 | 1 | SEAL KIT 78120400 |
| 75074300 | 1 | SEALKIT78122000/23-25/30-32/46 |
| 75074400 | 1 | SEAL KIT 78121800/21/44 |
| 75074500 | 1 | SEALKIT78121100-13/15/16/36/48 |
| 75074600 | 1 | SEAL KIT 78120500/49 |
| 75074800 | 1 | SEAL KIT 78123400/42 |
| 75074900 | 1 | SEAL KIT 78123700 |
| 75075000 | 1 | SEAL KIT 78122600/27/28/29 |
| 75075200 | 1 | SEAL KIT 78120900/14/50 |
| 75075400 | 1 | SEAL KIT 78120800 |
| 75075500 | 1 | SEAL KIT 78121000/33/41/51/53 |
| 75075900 | 1 | SEAL KIT FOR 78120000 & 78120200 |
| 75076000 | 1 | SEAL KIT 78120100 |
| 75076100 | 1 | SEAL KIT 78120300 |
| 75076400 | 1 | SEAL KIT 78124500 & 78125800 |
| 75076500 | 1 | SEAL KIT 78126400 |
| 75083800 | 1 | SEAL KIT F.78114300 |
| 75084400 | 1 | SEAL KIT FOR 78127200/7500 |
| 75084500 | 1 | SEAL KIT FOR 78127800 |
| 75084600 | 1 | SEAL KIT FOR 781279/8600 |
| 75084700 | 1 | SEAL KIT FOR 78128100 |
| 75084800 | 1 | SEAL KIT FOR 78128200/78131200 |
| 75084900 | 1 | SEAL KIT FOR 78128500 |
| 75085400 | 1 | SEAL KIT FOR 78130900 |
| 75085500 | 1 | SEAL KIT FOR HYDRAULIC CYLINDER 78131100 |
| 75085800 | 1 | SEAL KIT F. CYL. 78130400 |
| 75586100 | 1 | SEAL KIT FOR 78131700 |
| 75586200 | 1 | SEALKIT 80/40 FOR 78131800 |
| 75587000 | 1 | SEAL KIT FOR 78133300 |
| 75587200 | 1 | SEAL KIT FOR 78132600 |
| 78114300 | 1 | CYLINDER 70/30 X 662 LG PAR R |
| 78120000 | 1 | CYL. TELESCOPING Ø50/40/25 1100 |
| 78120100 | 1 | CYLINDER TELESC.65/40-1237 |
| 78120200 | 1 | HY. CYLINDER D50/40/25 - 1200 |
| 78120300 | 1 | CYLINDER 60/50/30 1100MM |
| 78120400 | 1 | CYL DBLD32/16-200W |
| 78120500 | 1 | CYLINDER FOLD SPC D60/30 L=300 |
| 78120600 | 1 | CYLINDER 60/25 X 662 NAV PAR L |
| 78120700 | 1 | SIN.CYL.Ø60/25-725 2XØ25 LEFT |
| 78120800 | 1 | CYLINDER DOUBLE 60/30-300 |
| 78121000 | 1 | CYLINDER DOUBLE D70/40-400 |
| 78121200 | 1 | CYLINDER, D50/30-500 |
| 78121300 | 1 | CYLINDER DBLE Ø50/30-600(700) |
| 78121400 | 1 | DOUBLE CYLINDER D 50/30-300 |
| 78121600 | 1 | CYLINDER DOUBLE D50/30-300 |
| 78121800 | 1 | CYLINDER D50/25 L=300 |
| 78122000 | 1 | CYLINDER DOUBLE Ø40/20-300 0° |
| 78122100 | 1 | CYLINDER DOUBLE D50/25-298 |
| 78122300 | 1 | CYLINDER DOUBLE D40/20-180 |
| 78122400 | 1 | DOUBLE CYLINDER D 40/20-300 |
| 78122600 | 1 | CYLINDER D40/22-300 BLACK |
| 78122700 | 1 | CYLINDER D40/22X300MM RED |
| 78122800 | 1 | CYLINDER D40/22-300 BLACK |
| 78122900 | 1 | CYLINDER 40/22X300MM RED |
| 78123000 | 1 | CYL DOUBLE Ø40/20-120 |



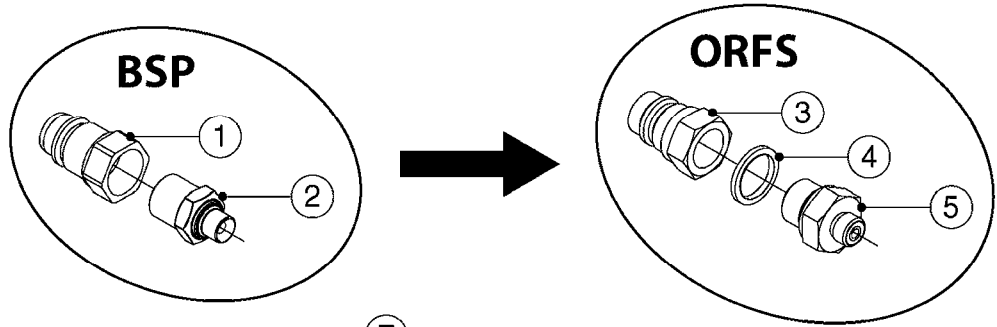
| parts-n° | order qty | description |
|----------|-----------|---------------------------------------|
| 78123100 | 1 | CYLINDER DOUBLE D40/20-120 |
| 78123200 | 1 | CYLINDER D40/20-120 |
| 78123400 | 1 | CYLINDER FOR TRACK LOCK, NCM |
| 78123700 | 1 | CYLINDER,DAMPNER,LOCK 78126000 |
| 78124100 | 1 | CYL DOB.D70/40-265 AIR INLET R |
| 78124300 | 1 | CYLINDER 60/25 X 635 DELTA L |
| 78124400 | 1 | CYLINDER DOUBLE D50/25 250 |
| 78124500 | 1 | CYLINDER 70/30 X 662 LG PAR L |
| 78124600 | 1 | CYLINDER DOUBLE Ø40/20-300 90° |
| 78125100 | 1 | DBL CYL D70/40-320 AIR INLET R |
| 78125300 | 1 | CYL DOB.D70/40-265 AIR INLET L |
| 78125500 | 1 | CYLINDER 60/25 X 662 NAV PAR R |
| 78125800 | 1 | CYLINDER 70/30 X 662 LG PAR R |
| 78126000 | 1 | CYLINDER,DAMPNER,LOCKING |
| 78126400 | 1 | CYLINDER DBLE D32/16-200 W.STP |
| 78126500 | 1 | CYLINDER D25/12-50 FAROIL NNAV |
| 78127200 | 1 | CYLINDER DOUB. D40/25 L=455 |
| 78127800 | 1 | HYDRAULIC CYLINDER 25-40 |
| 78128000 | 1 | CYLINDER DOUB. D60/30 L=300 09 |
| 78128100 | 1 | CYLINDER 70/30-300/TILT TDZ |
| 78128200 | 1 | PLUNGECYLINDER 70/840 2X30 |
| 78128500 | 1 | CYLINDER DOUBLE PLUNGER D60X75 |
| 78128700 | 1 | CYLINDER DOUBLE D50/30 500 |
| 78128800 | 1 | CYLINDER, D50/30-500 |
| 78129900 | 1 | CYLINDER DOUBLE D40/20 180 1/4 |
| 78130600 | 1 | DOB.CYL.Ø50/25-240/M. SENSOR |
| 78130900 | 1 | CYLINDER, D70/40-500 TDZ FOLD |
| 78131000 | 1 | CYLINDER, 60/30X462, 120' SPC |
| 78131100 | 1 | HY. CYLINDER, 70/40X400 |
| 78131200 | 1 | PLUNGECYLINDER 70/838 2X30 |
| 78131300 | 1 | CYLINDER, D70/40-500 TDZ FOLD |
| 78131400 | 1 | PLUNGE CYLINDER D70 L=838 2X35 |
| 78131800 | 1 | CYLINDER 80/40-300/ TILT TDZ |
| 78132600 | 1 | DOB.CYL.Ø90/50-350/Ø35 |
| 78132700 | 1 | DOB.CYL.Ø70/30-436/ Ø30 |
| 78132800 | 1 | DOB.CYL.Ø70/30-360/M30 SPEC. |
| 78132900 | 1 | DOB.CYL.Ø70/30-280/M30 SPEC. |
| 78133300 | 1 | DOB.CYL.Ø50/30 500 END DAMPING |
| 78133900 | 1 | DOB.CYL.Ø70/40-322 TRACK RIGHT '15 |
| 78134000 | 1 | DOB.CYL.Ø70/40-322 TRACK LEFT '15 |
| 78134600 | 1 | SIN.CYL.Ø60/30 380 M24X2 |
| 78509004 | 1 | PLUNGECYLINDER 70/838 Ø30, CM85/10000 |



IMPORTANT!
BSP hoses require BSP fittings
ORFS hoses require ORFS fittings



| |
|---|
| 1/4" ORFS Hoses require 9/16" ORFS Fittings |
| 3/8" ORFS Hoses require 11/16" ORFS Fittings |
| 1/2" ORFS Hoses require 13/16" ORFS Fittings |
| 3/4" ORFS Hoses require 1-3/16" ORFS Fittings |



7

| ORFS Hose Size | ORFS Fitting Size | BSP Fitting Size |
|----------------|-------------------|------------------|
| 1/4" | 9/16" | 1/2" |
| 3/8" | 11/16" | 5/8" |
| 1/2" | 13/16" | 3/4" |
| 3/4" | 1-3/16" | 1" |

8

| ORFS Hose Size | ORFS Fitting Size | BSP Fitting Size |
|----------------|-------------------|------------------|
| 1/4" | 9/16" | 1/2" |
| 3/8" | 11/16" | 5/8" |
| 1/2" | 13/16" | 3/4" |
| 3/4" | 1-3/16" | 1" |

C0045

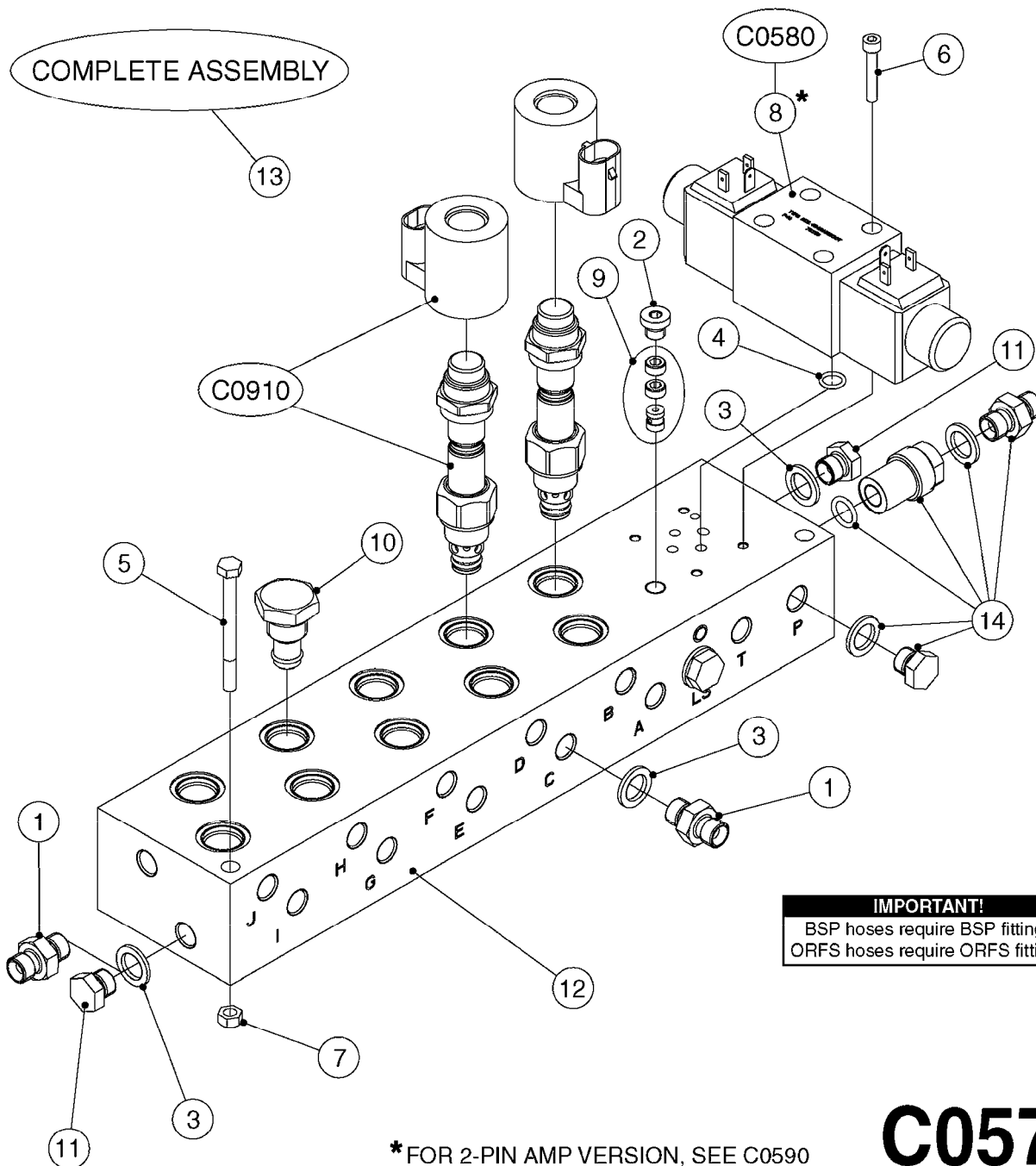


HYDRAULICS - BSP TO ORFS
C0045-HIN, 24:03:16

Page 1

Date 07.02.2020 10:25

| Pos. | parts-n° | order qty | description |
|------|----------|-----------|--|
| 1 | 10466003 | 1 | COUPLER PIONEER 8010-04 1/2NPT |
| 2 | 231907 | 1 | HEX NIPPLE 1/4"BSP X 1/2"NPT |
| 2 | 231906 | 1 | HEX NIPPLE 3/8"BSP X 1/2"NPT |
| 2 | 147132 | 1 | HEX NIPPLE 1/2"X1/2" BSP DEL |
| 3 | 230311 | 1 | QUICK COUPLING 1/2" |
| 4 | 241356 | 1 | DOWTYSEAL 1/2" |
| 5 | 23234800 | 1 | HEX NIPPLE 1/2"-9/16" ORFS FITTING FOR 1/4" HOSE |
| 5 | 23234900 | 1 | HEX NIPPLE 1/2"-11/16" ORFS FITTING FOR 3/8" HOSE |
| 5 | 23235300 | 1 | HEX NIPPLE 1/2"-13/16" ORFS FITTING FOR 1/2" HOSE |
| 6 | 242102 | 1 | O-RING Ø9.25X1.78 NITRIL 90SH |
| 6 | 24263200 | 1 | O-RING Ø7.66X1.78 NITRIL 90SH |
| 6 | 24263300 | 1 | O-RING Ø12.42X1.78 NITRIL 90SH |
| 6 | 24263400 | 1 | O-RING Ø18.77X1.78 NITRIL 90SH |
| 7 | 67002403 | 1 | CHART - BSP TO ORFS HOSES |
| 8 | 67002503 | 1 | CHART - BSP TO ORFS FITTINGS |



IMPORTANT!
BSP hoses require BSP fittings
ORFS hoses require ORFS fittings

*FOR 2-PIN AMP VERSION, SEE C0590

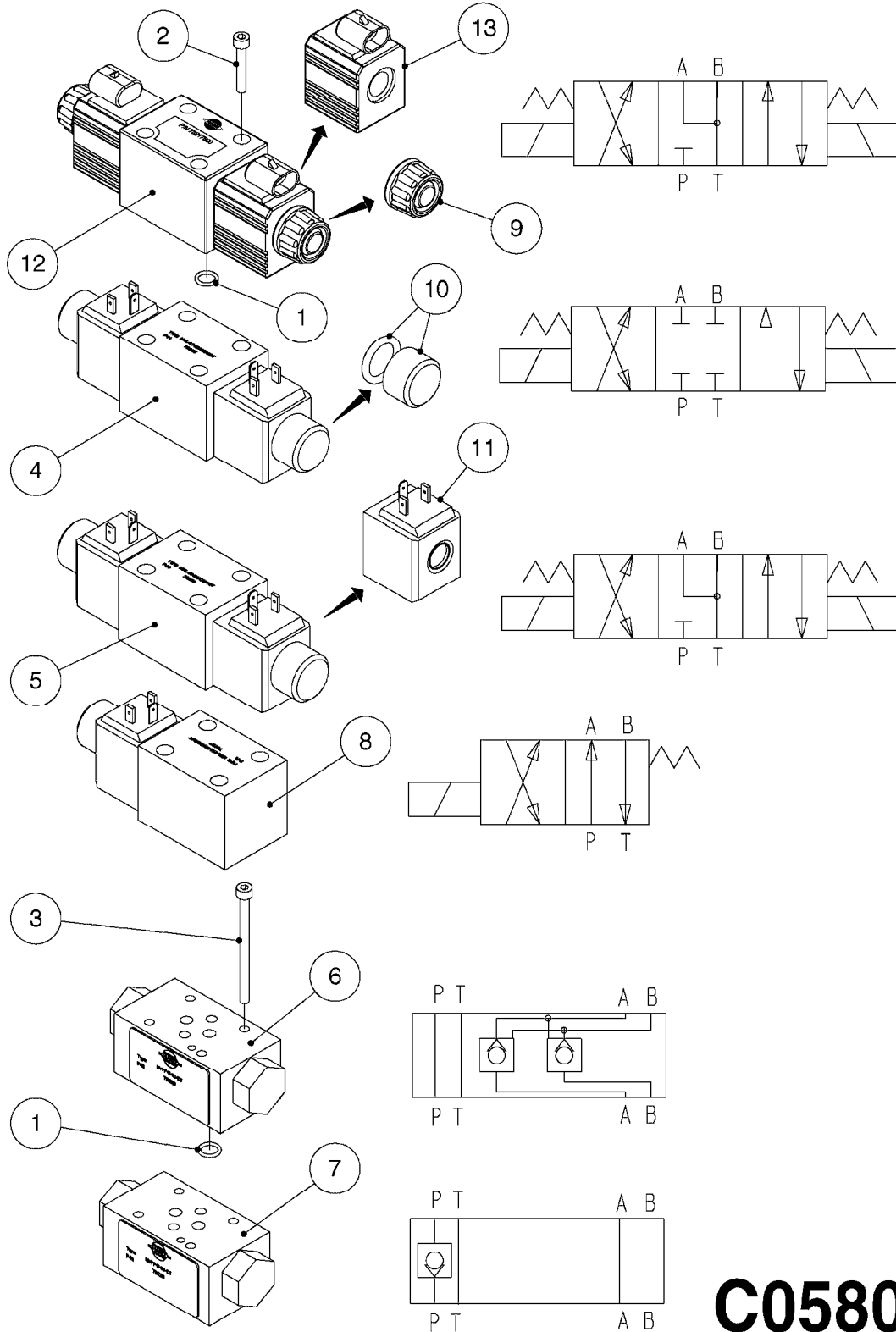
C0570



HYD.BLOCK EAGLE/FORCE PRE 2012
C0570-HIN, 13:05:19

Page 1
Date 07.02.2020 10:25

| Pos. | parts-n° | order qty | description |
|------|----------|-----------|---------------------------------------|
| 1 | 146845 | 1 | HEX NIPPLE 1/4"x1/4" BSP |
| 1 | 23234500 | 1 | HEX NIPPLE 1/4" - 9/16" ORFS |
| 1 | 146851 | 1 | HEX NIPPLE 1/4"x1/4" 0.7MM BSP |
| 1 | 23234700 | 1 | HEX NIPPLE 1/4"-9/16" - 0.7mm ORFS |
| 1 | 147498 | 1 | HEX NIPPLE 1/4"-1/4" 1.2mm BSP |
| 1 | 23234100 | 1 | HEX NIPPLE 1/4"-9/16" - 1.2mm ORFS |
| 2 | 231987 | 1 | PLUG 1/8' BSP W/GASKET |
| 3 | 241404 | 1 | DOWTY SEAL 1/4" |
| 4 | 242102 | 1 | O-RING Ø9.25X1.78 NITRIL 90SH |
| 5 | 420847 | 1 | BOLT HEX 8.8 DEL M8X85 |
| 6 | 450964 | 1 | SCREW M5X30 F.CYLINDER |
| 7 | 460143 | 1 | SELF LOCK NUT M8 SST A2 DIN985 |
| 8 | 782116 | 1 | HY SOLENOID VALVE MD1L-S3/10N-D12K1/P |
| 9 | 782124 | 1 | SWITCH VALVE OUTS.1/8" 5000PSI |
| 10 | 782131 | 1 | BLIND PLUG F.3/4" CARTR.VALVE |
| 11 | 14010400 | 1 | PLUG 1/4" BSP |
| 12 | 14098600 | 1 | HYD. BLOCK SPC/FTZ 3/4" 2010 |
| 13 | 72679100 | 1 | HY.BLOCK BOOM HYDR. FTZ 2010 |
| 14 | 74191700 | 1 | ADJ. FLOW VALVE REPAIR KIT DHP |



C0580

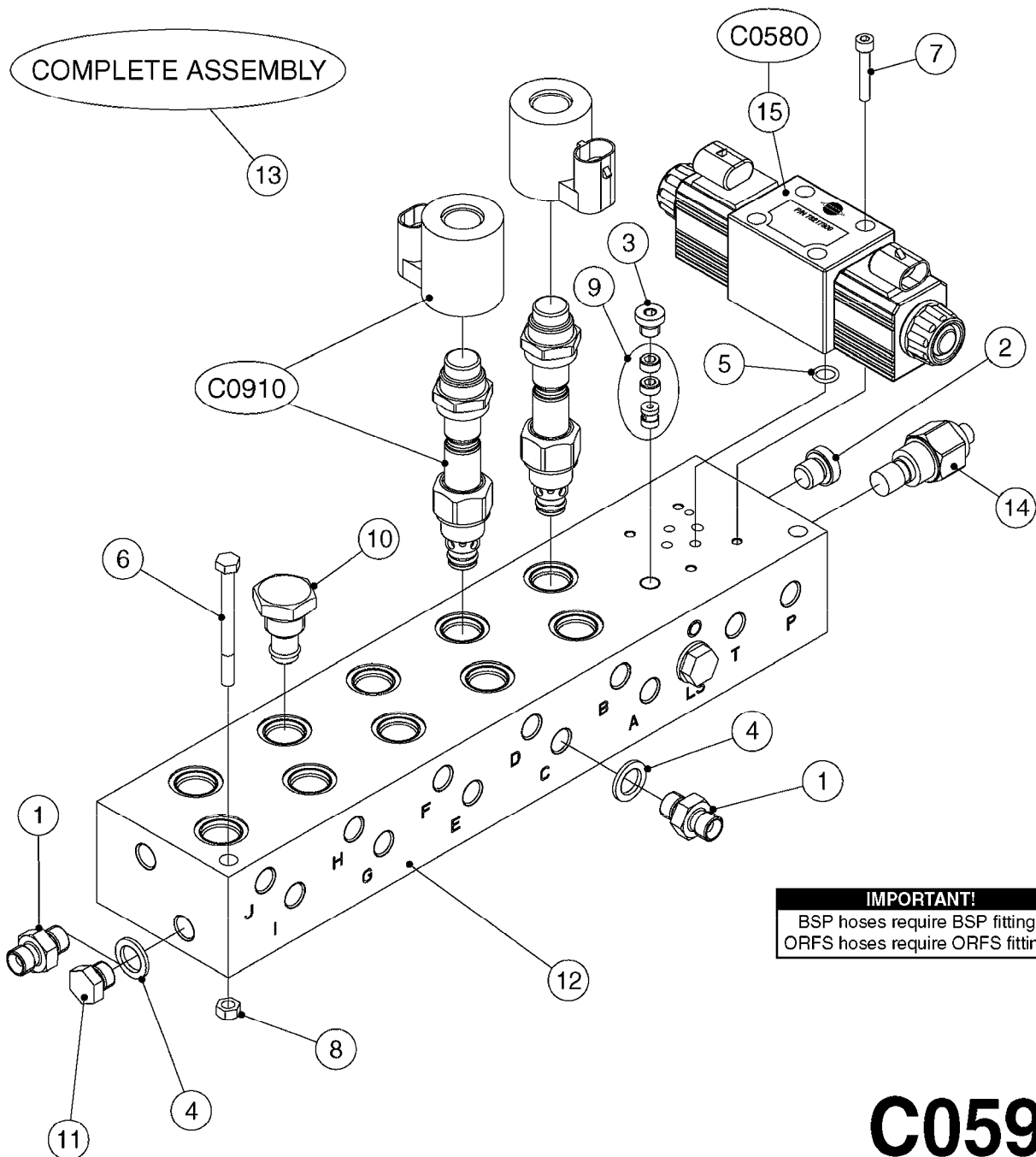


CETOP VALVES
C0580-HIN, 01:01:16

Page 1

Date 07.02.2020 10:25

| Pos. | parts-n° | order qty | description |
|------|----------|-----------|---------------------------------------|
| 1 | 242102 | 1 | O-RING Ø9.25X1.78 NITRIL 90SH |
| 2 | 450964 | 1 | SCREW M5X30 F.CYLINDER |
| 3 | 450965 | 1 | SCREW ROUND M5X70 |
| 4 | 782115 | 1 | HY SOLENOID VALVE DH HYD |
| 5 | 782116 | 1 | HY SOLENOID VALVE MD1L-S3/10N-D12K1/P |
| 6 | 782118 | 1 | LOCK VALVE MVPP-D |
| 7 | 782146 | 1 | HYD. CHECK VALVE 1 WAY |
| 8 | 782829 | 1 | SOLENOID MD1L-TA/10N-D12K1/DT |
| 9 | 28123700 | 1 | CAP F.SOLENOID - MD1L |
| 10 | 74187700 | 1 | CAP + O-RING F.CETOP - MD1L |
| 11 | 78216000 | 1 | SOLENOID F.CETOP VALVE - MD1L |
| 12 | 78217800 | 1 | MAGNET VLV.MD1L-S3/10N-D12K8DT |
| 13 | 78218200 | 1 | SOLENOID W/AMP F.MD1L |



IMPORTANT!
BSP hoses require BSP fittings
ORFS hoses require ORFS fittings

C0590

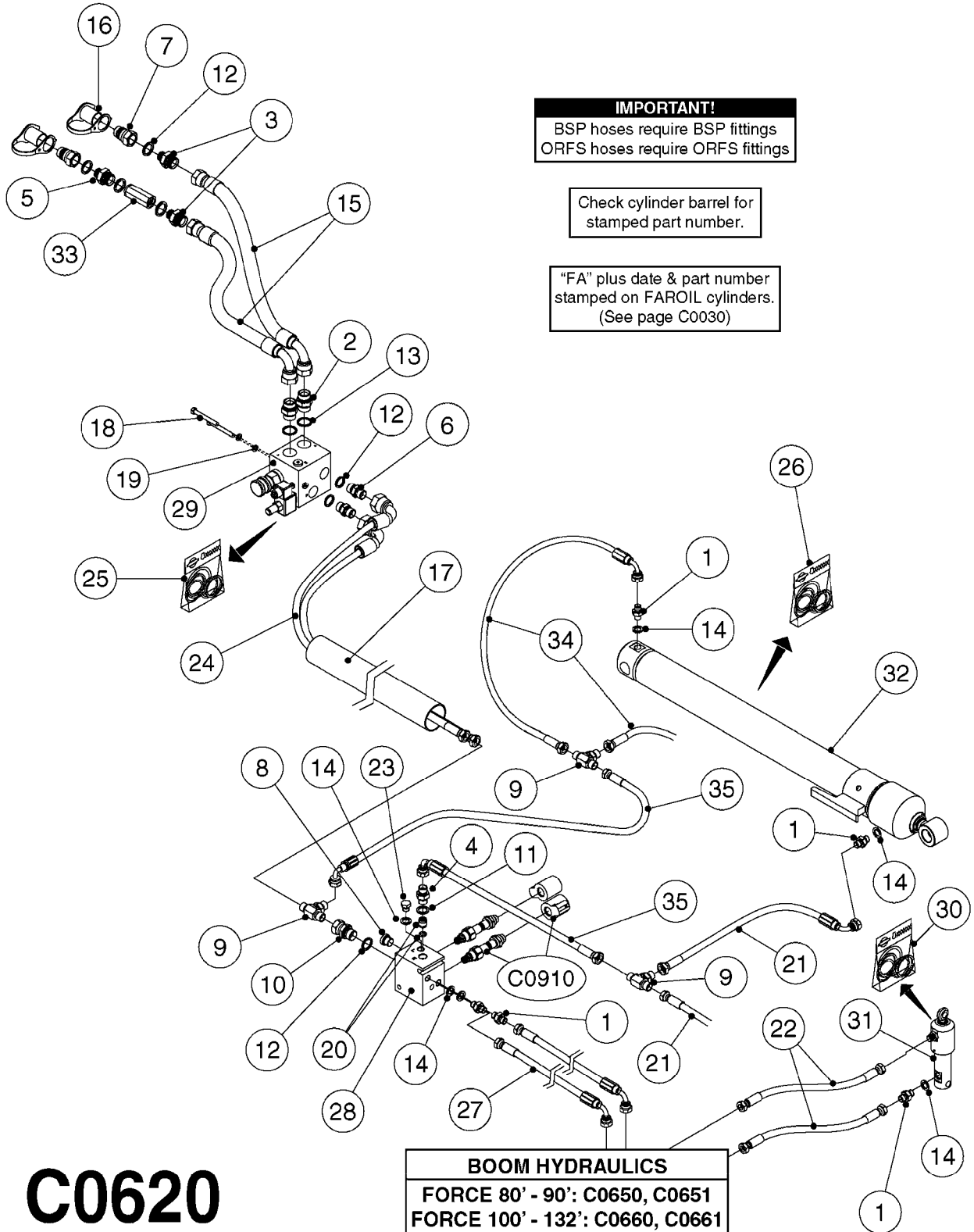


HYD.BLOCK EAGLE/FORCE 2012
C0590-HIN, 13:05:19

Page 1

Date 07.02.2020 10:25

| Pos. | parts-n° | order qty | description |
|------|----------|-----------|---------------------------------------|
| 1 | 146845 | 1 | HEX NIPPLE 1/4"x1/4" BSP |
| 1 | 23234500 | 1 | HEX NIPPLE 1/4" - 9/16" ORFS |
| 1 | 146851 | 1 | HEX NIPPLE 1/4"x1/4" 0.7MM BSP |
| 1 | 23234700 | 1 | HEX NIPPLE 1/4"-9/16" - 0.7mm ORFS |
| 1 | 147498 | 1 | HEX NIPPLE 1/4"-1/4" 1.2mm BSP |
| 1 | 23234100 | 1 | HEX NIPPLE 1/4"-9/16" - 1.2mm ORFS |
| 2 | 231103 | 1 | PLUG 1/4" BSP, O-RING 08BPUP04 |
| 3 | 231987 | 1 | PLUG 1/8" BSP W/GASKET |
| 4 | 241404 | 1 | DOWTY SEAL 1/4" |
| 5 | 242102 | 1 | O-RING Ø9.25X1.78 NITRIL 90SH |
| 6 | 420847 | 1 | BOLT HEX 8.8 DEL M8X85 |
| 7 | 450964 | 1 | SCREW M5X30 F.CYLINDER |
| 8 | 460143 | 1 | SELF LOCK NUT M8 SST A2 DIN985 |
| 9 | 782124 | 1 | SWITCH VALVE OUTS.1/8" 5000PSI |
| 10 | 782131 | 1 | BLIND PLUG F.3/4" CARTR.VALVE |
| 11 | 14010400 | 1 | PLUG 1/4" BSP |
| 12 | 14098600 | 1 | HYD. BLOCK SPC/FTZ 3/4" 2010 |
| 13 | 70084403 | 1 | HYD. BLOCK, 5P, FOLD/FLOW |
| 14 | 78216800 | 1 | FLOW REGULATING VALVE, 3/4" |
| 15 | 78217800 | 1 | MAGNET VLV.MD1L-S3/10N-D12K8DT |

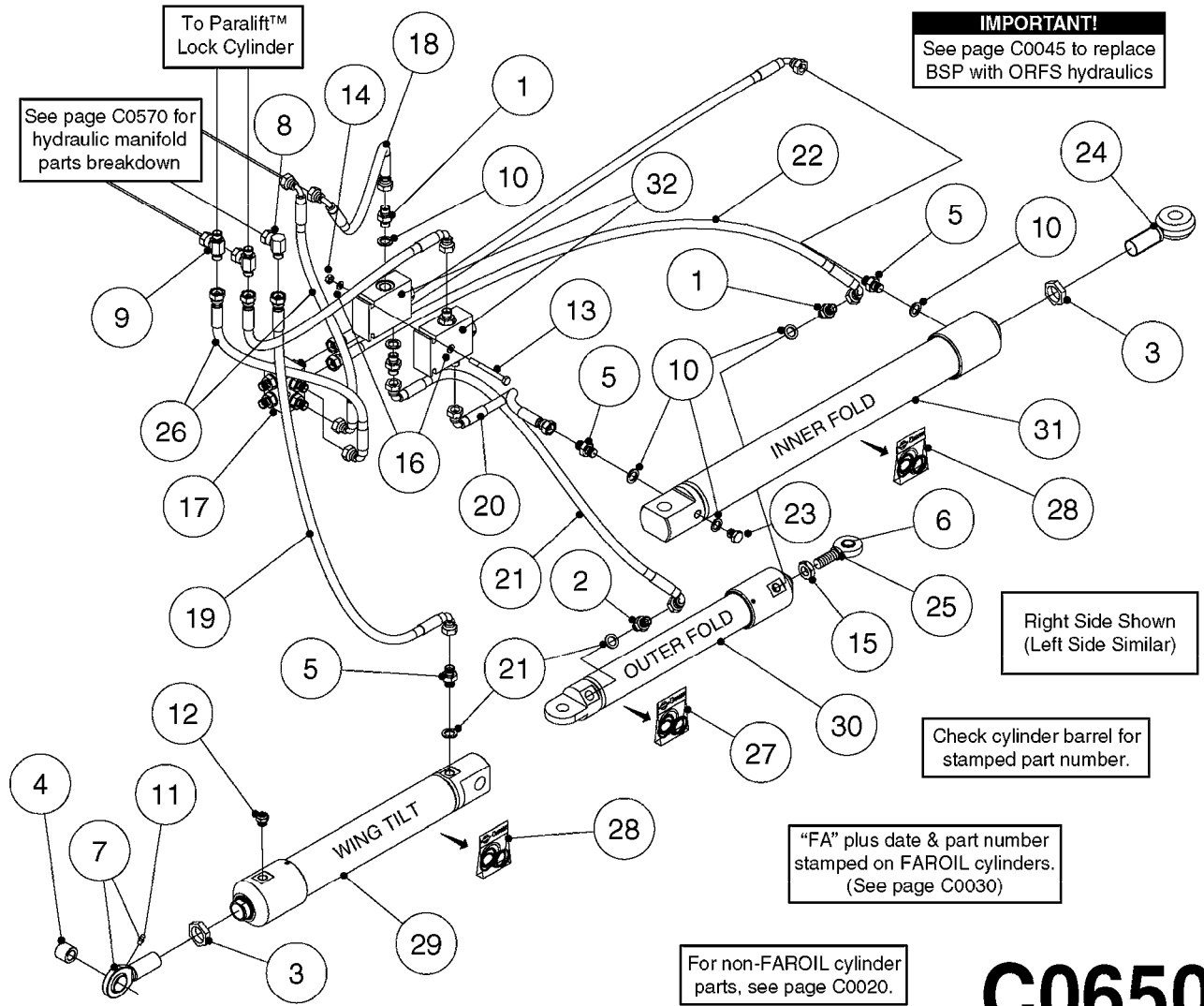




| Pos. | parts-n° | order qty | description |
|------|----------|-----------|--|
| 1 | 146845 | 1 | HEX NIPPLE 1/4"X1/4" BSP |
| 1 | 23234500 | 1 | HEX NIPPLE 1/4" - 9/16" ORFS |
| 2 | 146848 | 1 | HEX. NIPPLE 3/4"BSP X 3/4"BSP BSP |
| 2 | 23235000 | 1 | HEX NIPPLE 3/4"-1-3/16" ORFS |
| 3 | 146849 | 1 | HEX. NIPPLE 3/4"BSP X 1/2"BSP BSP |
| 3 | 23236100 | 1 | HEX NIPPLE 1/2"-1-3/16" ORFS |
| 4 | 146850 | 1 | HEX NIPPLE 3/8"x3/8" - 1.8mm BSP |
| 4 | 23234600 | 1 | HEX NIPPLE 3/8"-11/16" - 1.8mm ORFS |
| 5 | 147132 | 1 | HEX NIPPLE 1/2"X1/2" BSP DEL |
| 6 | 147132 | 1 | HEX NIPPLE 1/2"X1/2" BSP DEL BSP |
| 6 | 23235300 | 1 | HEX NIPPLE 1/2"-13/16" ORFS |
| 7 | 230311 | 1 | QUICK COUPLING 1/2" |
| 8 | 231924 | 1 | PLUG 3/8" |
| 9 | 232057 | 1 | T-PIECE 3/8" BSP HY. BSP |
| 9 | 23240800 | 1 | TEE 11/16"-11/16"-11/16" ORFS ORFS |
| 10 | 232289 | 1 | NIPPLE 1/2" W. 1/2" UNION DEL BSP |
| 10 | 23242000 | 1 | HYD NIPPLE 1/2 X 13/16 SWIVEL ORFS |
| 11 | 240866 | 1 | DOWTYSEAL 3/8" |
| 12 | 241356 | 1 | DOWTYSEAL 1/2" |
| 13 | 241367 | 1 | DOWTYSEAL 28.5x22 |
| 14 | 241404 | 1 | DOWTY SEAL 1/4" |
| 15 | 285185 | 1 | HOSE, HYD, 3/4" L=3100MM BSP |
| 15 | 78580600 | 1 | HY.HO.3/4"L= 3100 STR-90° ORFS |
| 16 | 334206 | 1 | DUST HOOD FOR HY-COUPLING |
| 17 | 341333 | 1 | TUBE Ø57/Ø52 L=1500 BLACK PE |
| 18 | 421201 | 1 | BOLT HEX 8.8 DEL M8X70 |
| 19 | 470407 | 1 | WASHER D14.8D8.1X2 LOCK SS |
| 20 | 782062 | 1 | NON-RETURN VALVE UTV 3/8" |
| 21 | 784152 | 1 | HOSE HY 1/4 3/8 OML X 106" S+E BSP |
| 21 | 78509000 | 1 | HY.HO.1/4"L= 2700 3/8STR-90° ORFS |
| 22 | 784161 | 1 | HOSE HY X 1/4 X 59" STR+STR BSP |
| 22 | 78509900 | 1 | HY.HO.1/4"L= 1500 STR-STR ORFS |
| 23 | 14010400 | 1 | PLUG 1/4" BSP |
| 24 | 28053600 | 1 | HOSE HY X 1/2" X 100.4"STR+ELB BSP |



| Pos. | parts-n° | order qty | description |
|------|----------|-----------|---|
| 24 | 78570600 | 1 | HY.HO.1/2"L= 2550 STR-90° ORFS |
| 25 | 28061400 | 1 | SEAL KIT F. 782145 |
| 26 | 28117300 | 1 | SEAL KIT 78120600/07/43 |
| 27 | 28435003 | 1 | HOSE HY X1/4X216.00'STR+ELB BSP |
| 27 | 78526600 | 1 | HY.SL.1/4' L= 5500 L-V ORFS |
| 28 | 70078103 | 1 | HYD. BLOCK COMP. PARA-LIFT 1.8 |
| 29 | 72809100 | 1 | BYPASS BLOCK 782145 |
| 30 | 75074800 | 1 | SEAL KIT 78123400/42 SEAL KIT FOR 78100203 CYLINDER |
| 31 | 78100203 | 1 | CYL. D25/12-50/72531000 W/BSP ADAPT |
| 32 | 78120700 | 1 | SIN.CYL.Ø60/25-725 2XØ25 LEFT CYLINDER FOR LEFT SIDE |
| 32 | 78125600 | 1 | SIN.CYL.Ø60/25_725_2XØ25 RIGHT CYLINDER FOR RIGHT SIDE |
| 33 | 78200204 | 1 | CHECK VALVE HY 1/2" BSP-1/2BAR |
| 34 | 78401504 | 1 | HOSE HY X1/4L=49"1/4ELB3/8STR BSP |
| 34 | 78508900 | 1 | HY.HO.1/4"L= 2000 3/8STR-90° ORFS |
| 35 | 78501304 | 1 | HOSE HY X3/8L=55"3/8STR 1/2ELB BSP |
| 35 | 78565000 | 1 | HY.HO.3/8"L= 1400 STR-BANJO ORFS |



C0650

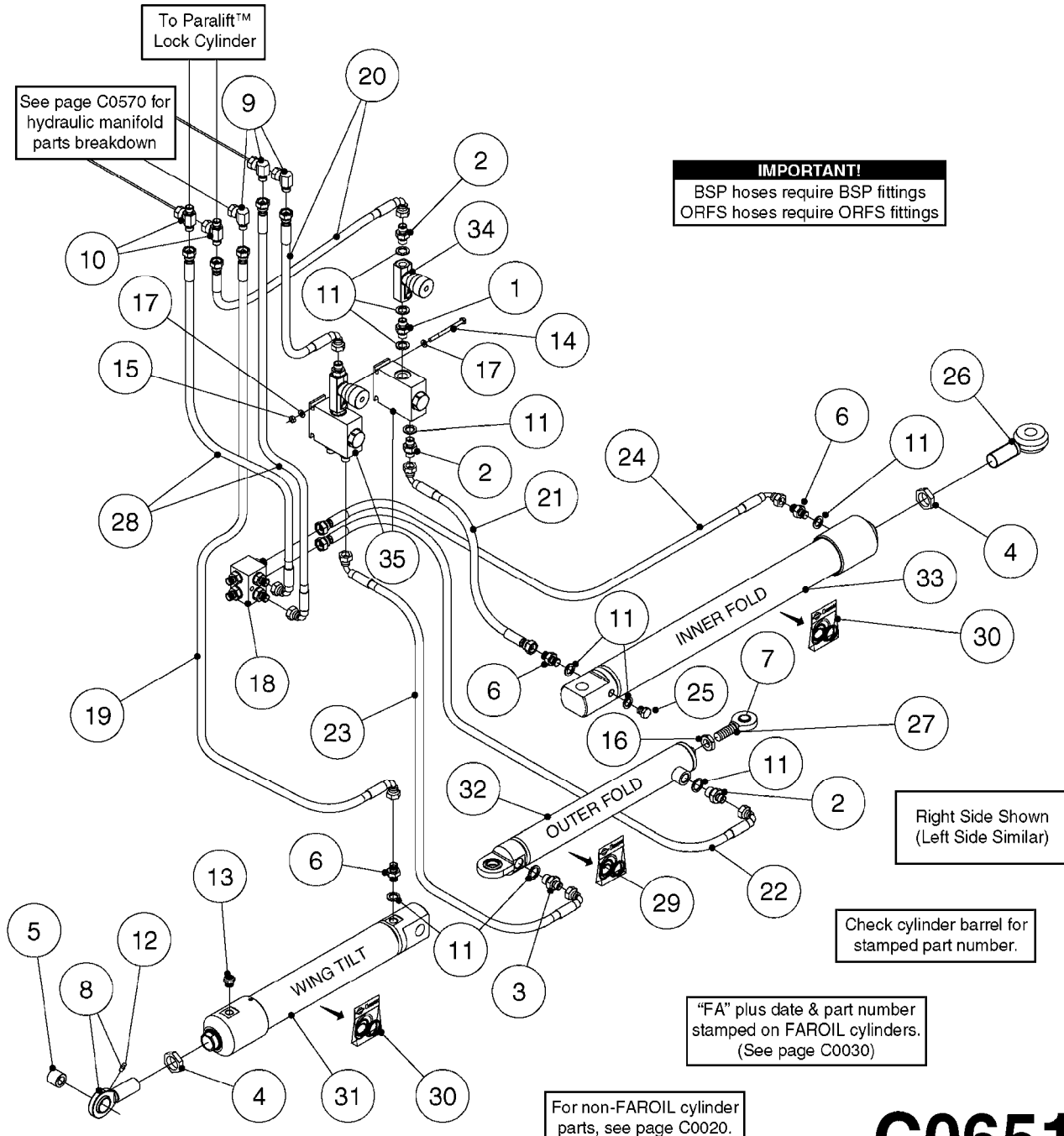


Agroparts: www.HARDI-INTERNATIONAL.com

HYDRAULICS FORCE 80'-100'
(PRE '06)
C0650-HIN, 17:11:17

Page 1
Date 07.02.2020 10:25

| Pos. | parts-n° | order qty | description |
|------|----------|-----------|--|
| 1 | 146845 | 1 | HEX NIPPLE 1/4"x1/4" |
| 2 | 146851 | 1 | HEX NIPPLE 1/4"x1/4" 0.7MM |
| 3 | 147128 | 1 | NUT M24X2 NV-32 |
| 4 | 147130 | 1 | BUSHING D25/20 20MM |
| 5 | 147498 | 1 | HEX NIPPLE 1/4"-1/4" 1.2mm |
| 6 | 210728 | 1 | BEARING F.LINK HEAD M17 |
| 7 | 210878 | 1 | LINK HEAD M24 x 55 W/ GREASE NIP. DELTA |
| 8 | 232060 | 1 | HY.ELBOW 1/4" BSP SWIVEL |
| 9 | 232175 | 1 | TEE 1/4"M X 1/4"F X 1/4"M BSP |
| 10 | 241404 | 1 | DOWTY SEAL 1/4" |
| 11 | 283699 | 1 | GREASE NIPPLE M6X1 |
| 12 | 284265 | 1 | PLUG BREATHER 1/4" F/CYLINDER |
| 13 | 410605 | 1 | BOLT HEX 8.8 DEL M6X80 |
| 14 | 460261 | 1 | NUT HEX M6X1.00 LOCK DIN985 A2 SS |
| 15 | 461198 | 1 | NUT HEX M16X2 JAMB |
| 16 | 471125 | 1 | WASHER M6U 6.4X14X1.2,A2 SS |
| 17 | 731941 | 1 | HYD. BLOCK MANIFOLD |
| 18 | 784005 | 1 | HOSE HY X 1/4 X 037.38"STR+ELB |
| 19 | 784010 | 1 | HOSE HY X 1/4 X 149.5"STR+ELB |
| 20 | 784031 | 1 | HYD.HOSE CM TF 1/4"x550MM |
| 21 | 784094 | 1 | HOSE HY X 1/4 X 248.0" ELB+ELB 80' BOOM |
| 21 | 784127 | 1 | HOSE HY X 1/4 X 285.5" ELB+ELB |
| 22 | 784128 | 1 | HOSE HY X 1/4 X 259.85"STR+ELB 80' BOOM |
| 22 | 784129 | 1 | HOSE HY X 1/4 X 299.21"STR+ELB 90' BOOM |
| 23 | 14010400 | 1 | PLUG 1/4" BSP |
| 24 | 14082300 | 1 | LINK EYE Ø20/M24X2 L=87.5 |
| 25 | 21091900 | 1 | LINK HEAD M16 x D17 DELTA |
| 26 | 28376503 | 1 | HOSE HY X1/4X047.25"STR+ELB |
| 27 | 75074300 | 1 | SEALKIT78122000/23-25/30-32/46 |
| 28 | 75075200 | 1 | SEAL KIT 78120900/14/50 |
| 29 | 78121400 | 1 | DOUBLE CYLINDER D 50/30-300 |
| 30 | 78122400 | 1 | DOUBLE CYLINDER D 40/20-300 |
| 31 | 78128800 | 1 | CYLINDER, D50/30-500 |
| 32 | 78219600 | 1 | FLOW DIVIDER FTZ '13 |



C0651



HYDRAULICS FORCE 80'-100'
(POST '06)
C0651-HIN, 09:01:18

Page 1
Date 07.02.2020 10:25

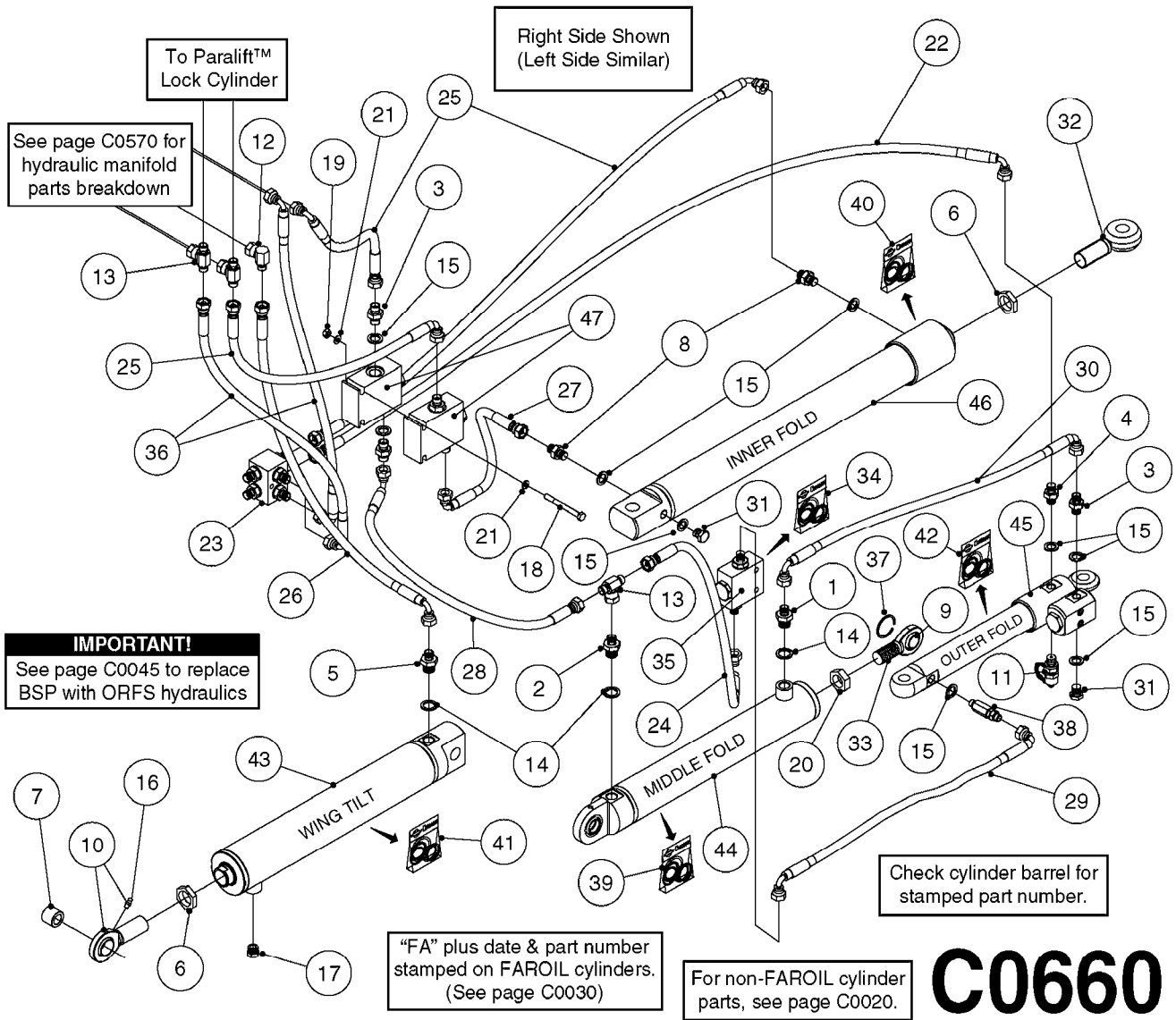
| Pos. | parts-n° | order qty | description |
|------|----------|-----------|---|
| 1 | 146845 | 1 | HEX NIPPLE 1/4"X1/4" |
| 2 | 146845 | 1 | HEX NIPPLE 1/4"X1/4" BSP |
| 2 | 23234500 | 1 | HEX NIPPLE 1/4" - 9/16" ORFS |
| 3 | 146851 | 1 | HEX NIPPLE 1/4"x1/4" 0.7MM BSP |
| 3 | 23234700 | 1 | HEX NIPPLE 1/4"-9/16" - 0.7mm ORFS |
| 4 | 147128 | 1 | NUT M24X2 NV-32 |
| 5 | 147130 | 1 | BUSHING D25/20 20MM |
| 6 | 147498 | 1 | HEX NIPPLE 1/4"-1/4" 1.2mm BSP |
| 6 | 23234100 | 1 | HEX NIPPLE 1/4"-9/16" - 1.2mm ORFS |
| 7 | 210728 | 1 | BEARING F.LINK HEAD M17 |
| 8 | 210878 | 1 | LINK HEAD M24 x 55 W/ GREASE NIP. DELTA |
| 9 | 232060 | 1 | HY.ELBOW 1/4" BSP SWIVEL BSP |
| 9 | 23240900 | 1 | HYD.FIT. M-F 90° 9/16"-9/16" ORFS |
| 10 | 232175 | 1 | TEE 1/4"M X 1/4"F X 1/4"M BSP BSP |
| 10 | 23241300 | 1 | TEE 9/16"M-9/16"F-9/16"M ORFS ORFS |
| 11 | 241404 | 1 | DOWTY SEAL 1/4" |
| 12 | 283699 | 1 | GREASE NIPPLE M6X1 |
| 13 | 284265 | 1 | PLUG BREATHER 1/4" F/CYLINDER |
| 14 | 410605 | 1 | BOLT HEX 8.8 DEL M6X80 |
| 15 | 460261 | 1 | NUT HEX M6X1.00 LOCK DIN985 A2 SS |
| 16 | 461198 | 1 | NUT HEX M16X2 JAMB |
| 17 | 471125 | 1 | WASHER M6U 6.4X14X1.2,A2 SS |
| 18 | 731941 | 1 | HYD. BLOCK MANIFOLD |
| 19 | 784010 | 1 | HOSE HY X 1/4 X 149.5"STR+ELB BSP |
| 19 | 78500900 | 1 | HY.HO.1/4"L= 3800 STR-90° ORFS |
| 20 | 784023 | 1 | HOSE HY 1/4 X 43.25" STR.+ELB. BSP |
| 20 | 78501900 | 1 | HY.HO.1/4"L= 1100 STR-90° ORFS |
| 21 | 784031 | 1 | HYD.HOSE CM TF 1/4"x550MM BSP |
| 21 | 78502500 | 1 | HY.HO.1/4"L= 550 STR-90° ORFS |
| 22 | 784128 | 1 | HOSE HY X 1/4 X 259.85"STR+ELB 80' BOOM (BSP) |
| 22 | 78507800 | 1 | HY.HO.1/4"L= 6860 STR-90° 80' BOOM (ORFS) |
| 22 | 784129 | 1 | HOSE HY X 1/4 X 299.21"STR+ELB 90' BOOM (BSP) |
| 22 | 78507900 | 1 | HY.HO.1/4"L= 7900 STR-90° 90' BOOM (ORFS) |
| 22 | 784048 | 1 | HOSE HY X 1/4 X 315.0" STR+ELB 100' BOOM (BSP) |



HYDRAULICS FORCE 80'-100'
(POST '06)
C0651-HIN, 09:01:18

Page 2
Date 07.02.2020 10:25

| Pos. | parts-n° | order qty | description |
|------|----------|-----------|--|
| 22 | 78503600 | 1 | HY.HO.1/4"L= 8320 STR-90° 100' BOOM (ORFS) |
| 23 | 784094 | 1 | HOSE HY X 1/4 X 248.0" ELB+ELB 80' BOOM (BSP) |
| 23 | 78506000 | 1 | HY.HO.1/4"L= 6550 90°-90° A=0 80' BOOM (ORFS) |
| 23 | 784127 | 1 | HOSE HY X 1/4 X 285.5" ELB+ELB 90' BOOM (BSP) |
| 23 | 78507700 | 1 | HY.HO.1/4"L= 7540 90°-90° A=0 90' BOOM (ORFS) |
| 23 | 784120 | 1 | HY.HO.1/4"L= 7550 100' BOOM (BSP) |
| 23 | 78507200 | 1 | HY.HO.1/4"L= 7850 90°-90° A=0 100' BOOM (ORFS) |
| 24 | 784122 | 1 | HY.HO.1/4"L= 900 STR-90° BSP |
| 24 | 78507400 | 1 | HY.HO.1/4"L= 900 STR-90° ORFS |
| 25 | 14010400 | 1 | PLUG 1/4" BSP |
| 26 | 14082300 | 1 | LINK EYE Ø20/M24X2 L=87.5 |
| 27 | 21091900 | 1 | LINK HEAD M16 x D17 DELTA |
| 28 | 28376503 | 1 | HOSE HY X1/4X047.25"STR+ELB BSP |
| 28 | 78500300 | 1 | HY.HO.1/4"L= 1200 STR-90° ORFS |
| 29 | 75074300 | 1 | SEALKIT78122000/23-25/30-32/46 |
| 30 | 75075200 | 1 | SEAL KIT 78120900/14/50 |
| 31 | 78121400 | 1 | DOUBLE CYLINDER D 50/30-300 |
| 32 | 78122400 | 1 | DOUBLE CYLINDER D 40/20-300 |
| 33 | 78128800 | 1 | CYLINDER, D50/30-500 |
| 34 | 78215700 | 1 | HYD. NEEDLE VALVE W/LOCK RD-7 |
| 35 | 78219600 | 1 | FLOW DIVIDER FTZ '13 |



C0660

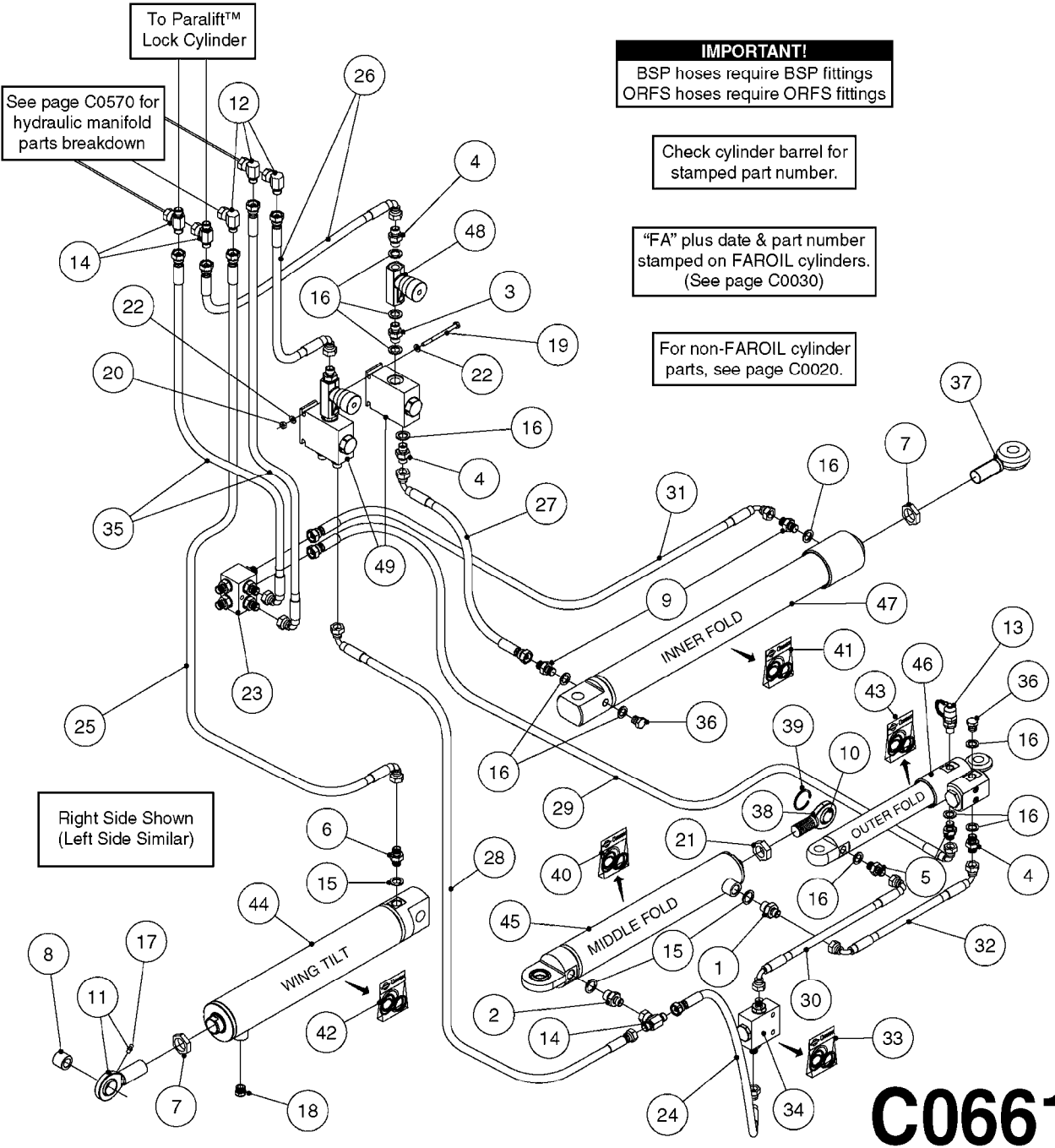


Agroparts: www.HARDI-INTERNATIONAL.com

HYDRAULICS FORCE 120'-132'
(PRE '06)
C0660-HIN, 17:11:17

Page 1
Date 07.02.2020 10:25

| Pos. | parts-n° | order qty | description |
|------|----------|-----------|--|
| 1 | 146835 | 1 | HEX NIPPLE 1/4" - 3/8" BSP |
| 2 | 146839 | 1 | HEX NIPPLE 1/4"X3/8" BSP 0.7MM |
| 3 | 146845 | 1 | HEX NIPPLE 1/4"X1/4" |
| 4 | 146851 | 1 | HEX NIPPLE 1/4"x1/4" 0.7MM |
| 5 | 147061 | 1 | HEX NIPPLE 1/4"X3/8"/1.8 |
| 6 | 147128 | 1 | NUT M24X2 NV-32 |
| 7 | 147130 | 1 | BUSHING D25/20 20MM |
| 8 | 147498 | 1 | HEX NIPPLE 1/4"-1/4" 1.2mm |
| 9 | 210730 | 1 | BEARING F.LINK HEAD M20 |
| 10 | 210878 | 1 | LINK HEAD M24 x 55 W/ GREASE NIP. DELTA |
| 11 | 231955 | 1 | NIPPLE F. PRESS GAUGE 1/4" BSP |
| 12 | 232060 | 1 | HY.ELBOW 1/4" BSP SWIVEL |
| 13 | 232175 | 1 | TEE 1/4"M X 1/4"F X 1/4"M BSP |
| 14 | 240866 | 1 | DOWTYSEAL 3/8" |
| 15 | 241404 | 1 | DOWTY SEAL 1/4" |
| 16 | 283699 | 1 | GREASE NIPPLE M6X1 |
| 17 | 284266 | 1 | PLUG BREATHER 3/8" F/CYLINDER |
| 18 | 410605 | 1 | BOLT HEX 8.8 DEL M6X80 |
| 19 | 460261 | 1 | NUT HEX M6X1.00 LOCK DIN985 A2 SS |
| 20 | 461200 | 1 | NUT HEX M20X1.5 JAMB. |
| 21 | 471125 | 1 | WASHER M6U 6.4X14X1.2,A2 SS |
| 22 | 724132 | 1 | HOSE HY X 1/4 STR+ELB 100' BOOM |
| 22 | 724133 | 1 | HOSE HY X 1/4 STR+ELB 110' BOOM |
| 22 | 784119 | 1 | HOSE HY X 1/4 X 557.0"STR+ELB 120'/132' BOOM |
| 23 | 731941 | 1 | HYD. BLOCK MANIFOLD |
| 24 | 784004 | 1 | HOSE HY 1/4" x 33.5" STR & ELB |
| 25 | 784005 | 1 | HOSE HY X 1/4 X 037.38"STR+ELB |
| 26 | 784010 | 1 | HOSE HY X 1/4 X 149.5"STR+ELB |
| 27 | 784031 | 1 | HYD.HOSE CM TF 1/4"x550MM |
| 28 | 784094 | 1 | HOSE HY X 1/4 X 248.0" ELB+ELB 100' BOOM |
| 28 | 784118 | 1 | HOSE HY X 1/4 X 285.4" ELB+STR 110'-132' BOOM |
| 29 | 784121 | 1 | HOSE HY X 1/4 X 252.0" ELB+ELB 120'/132' BOOM |
| 29 | 784131 | 1 | HOSE HY X 1/4 X 202.75"ELB+ELB 100'/110' BOOM |
| 30 | 784127 | 1 | HOSE HY X 1/4 X 285.5" ELB+ELB 120'/132' BOOM |
| 30 | 784130 | 1 | HOSE HY X 1/4 X 236.25"ELB+ELB 100'/110' BOOM |
| 31 | 14010400 | 1 | PLUG 1/4" BSP |
| 32 | 14082300 | 1 | LINK EYE Ø20/M24X2 L=87.5 |
| 33 | 21092000 | 1 | LINK HEAD M20 x D20 L=78 DELTA |
| 34 | 28001800 | 1 | REPAIR KIT F.ENDSTOP 1/4" |
| 35 | 28028600 | 1 | END STOP 1/4" |
| 36 | 28376503 | 1 | HOSE HY X1/4X047.25"STR+ELB |
| 37 | 48000603 | 1 | SNAP RING, Ø36X1.5 F.210730 |
| 38 | 72264600 | 1 | HYDRUALIC RESTICTOR, ADJUSTABL |
| 39 | 75074400 | 1 | SEAL KIT 78121800/21/44 |
| 40 | 75075200 | 1 | SEAL KIT 78120900/14/50 |
| 41 | 75075400 | 1 | SEAL KIT 78120800 |
| 42 | 75076500 | 1 | SEAL KIT 78126400 |
| 43 | 78120800 | 1 | CYLINDER DOUBLE 60/30-300 |
| 44 | 78122100 | 1 | CYLINDER DOUBLE D50/25-298 |
| 45 | 78126400 | 1 | CYLINDER DBLE D32/16-200 W.STP |
| 46 | 78128800 | 1 | CYLINDER, D50/30-500 |
| 47 | 78219600 | 1 | FLOW DIVIDER FTZ '13 |



IMPORTANT!
BSP hoses require BSP fittings
ORFS hoses require ORFS fittings

Check cylinder barrel for stamped part number.

"FA" plus date & part number stamped on FAROIL cylinders. (See page C0030)

For non-FAROIL cylinder parts, see page C0020.

See page C0570 for hydraulic manifold parts breakdown

Right Side Shown
(Left Side Similar)

C0661



HYDRAULICS FORCE 120'-132'
(POST '06)
C0661-HIN, 18:08:17

Page 1
Date 07.02.2020 10:25

| Pos. | parts-n° | order qty | description |
|------|----------|-----------|--|
| 1 | 146835 | 1 | HEX NIPPLE 1/4" - 3/8" BSP |
| 1 | 23235700 | 1 | BSP HEX NIPPLE 3/8"-9/16" ORFS |
| 2 | 146839 | 1 | HEX NIPPLE 1/4"X3/8" BSP 0.7MM |
| 2 | 23235800 | 1 | BSP HEX NIPPLE 3/8"-9/16" - 0.7mm ORFS |
| 3 | 146845 | 1 | HEX NIPPLE 1/4"X1/4" |
| 4 | 146845 | 1 | HEX NIPPLE 1/4"X1/4" BSP |
| 4 | 23234500 | 1 | HEX NIPPLE 1/4" - 9/16" ORFS |
| 5 | 146851 | 1 | HEX NIPPLE 1/4"x1/4" 0.7MM |
| 5 | 23234700 | 1 | BSP HEX NIPPLE 1/4"-9/16" - 0.7mm ORFS |
| 6 | 147061 | 1 | HEX NIPPLE 1/4"X3/8"/1.8 |
| 6 | 23236200 | 1 | BSP HEX NIPPLE 3/8"-9/16" - 1.8mm ORFS |
| 7 | 147128 | 1 | NUT M24X2 NV-32 |
| 8 | 147130 | 1 | BUSHING D25/20 20MM |
| 9 | 147498 | 1 | HEX NIPPLE 1/4"-1/4" 1.2mm |
| 9 | 23234100 | 1 | BSP HEX NIPPLE 1/4"-9/16" - 1.2mm ORFS |
| 10 | 210730 | 1 | BEARING F.LINK HEAD M20 |
| 11 | 210878 | 1 | LINK HEAD M24 x 55 W/ GREASE NIP. DELTA |
| 12 | 232060 | 1 | HY.ELBOW 1/4" BSP SWIVEL |
| 12 | 23240900 | 1 | BSP HYD.FIT. M-F 90° 9/16"-9/16" ORFS |
| 13 | 231955 | 1 | NIPPLE F. PRESS GAUGE 1/4" BSP |
| 14 | 232175 | 1 | TEE 1/4"M X 1/4"F X 1/4"M BSP |
| 14 | 23241300 | 1 | BSP TEE 9/16"M-9/16"F-9/16"M ORFS ORFS |
| 15 | 240866 | 1 | DOWTYSEAL 3/8" |
| 16 | 241404 | 1 | DOWTY SEAL 1/4" |
| 17 | 283699 | 1 | GREASE NIPPLE M6X1 |
| 18 | 284266 | 1 | PLUG BREATHER 3/8" F/CYLINDER |
| 19 | 410605 | 1 | BOLT HEX 8.8 DEL M6X80 |
| 20 | 460261 | 1 | NUT HEX M6X1.00 LOCK DIN985 A2 SS |
| 21 | 461200 | 1 | NUT HEX M20X1.5 JAMB. |
| 22 | 471125 | 1 | WASHER M6U 6.4X14X1.2,A2 SS |
| 23 | 731941 | 1 | HYD. BLOCK MANIFOLD |
| 24 | 784004 | 1 | HOSE HY 1/4" x 33.5" STR & ELB |
| 24 | 78500500 | 1 | BSP HY. HO.1/4"L=850 STR-90° ORFS |
| 25 | 784010 | 1 | HOSE HY X 1/4 X 149.5"STR+ELB |
| 25 | 78500900 | 1 | BSP HY.HO.1/4"L= 3800 STR-90° ORFS |
| 26 | 784023 | 1 | HOSE HY 1/4 X 43.25" STR.+ELB. BSP |



HYDRAULICS FORCE 120'-132'
(POST '06)
C0661-HIN, 18:08:17

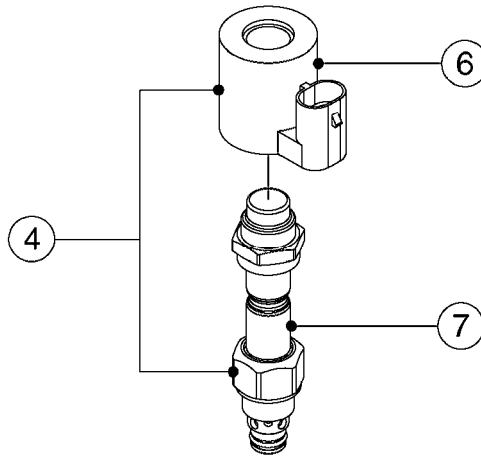
Page 2
Date 07.02.2020 10:25

| Pos. | parts-n° | order qty | description |
|------|----------|-----------|--|
| 26 | 78501900 | 1 | HY.HO.1/4"L= 1100 STR-90° ORFS |
| 27 | 784031 | 1 | HYD.HOSE CM TF 1/4"x550MM BSP |
| 27 | 78502500 | 1 | HY.HO.1/4"L= 550 STR-90° ORFS |
| 28 | 784118 | 1 | HOSE HY X 1/4 X 285.4" ELB+STR BSP |
| 28 | 78507000 | 1 | HY.HO.1/4"L= 7540 STR-90° ORFS |
| 29 | 784119 | 1 | HOSE HY X 1/4 X 557.0"STR+ELB BSP |
| 29 | 78507100 | 1 | HY.HO.1/4"L=14580 STR-90° ORFS |
| 30 | 784121 | 1 | HOSE HY X 1/4 X 252.0" ELB+ELB BSP |
| 30 | 78507300 | 1 | HY.HO.1/4"L= 6660 90°-90° A=0 ORFS |
| 31 | 784122 | 1 | HY.HO.1/4"L= 900 STR-90° BSP |
| 31 | 78507400 | 1 | HY.HO.1/4"L= 900 STR-90° ORFS |
| 32 | 784127 | 1 | HOSE HY X 1/4 X 285.5" ELB+ELB BSP |
| 32 | 78507700 | 1 | HY.HO.1/4"L= 7540 90°-90° A=0 ORFS |
| 33 | 28001800 | 1 | REPAIR KIT F.ENDSTOP 1/4" |
| 34 | 28028600 | 1 | END STOP 1/4" |
| 35 | 28376503 | 1 | HOSE HY X1/4X047.25"STR+ELB BSP |
| 35 | 78500300 | 1 | HY.HO.1/4"L= 1200 STR-90° ORFS |
| 36 | 14010400 | 1 | PLUG 1/4" BSP |
| 37 | 14082300 | 1 | LINK EYE Ø20/M24X2 L=87.5 |
| 38 | 21092000 | 1 | LINK HEAD M20 x D20 L=78 DELTA |
| 39 | 48000603 | 1 | SNAP RING, Ø36X1.5 F.210730 |
| 40 | 75074400 | 1 | SEAL KIT 78121800/21/44 |
| 41 | 75075200 | 1 | SEAL KIT 78120900/14/50 |
| 42 | 75075400 | 1 | SEAL KIT 78120800 |
| 43 | 75076500 | 1 | SEAL KIT 78126400 |
| 44 | 78120800 | 1 | CYLINDER DOUBLE 60/30-300 |
| 45 | 78122100 | 1 | CYLINDER DOUBLE D50/25-298 |
| 46 | 78126400 | 1 | CYLINDER DBLE D32/16-200 W.STP |
| 47 | 78128800 | 1 | CYLINDER, D50/30-500 |
| 48 | 78215700 | 1 | HYD. NEEDLE VALVE W/LOCK RD-7 |
| 49 | 78219600 | 1 | FLOW DIVIDER FTZ '13 |

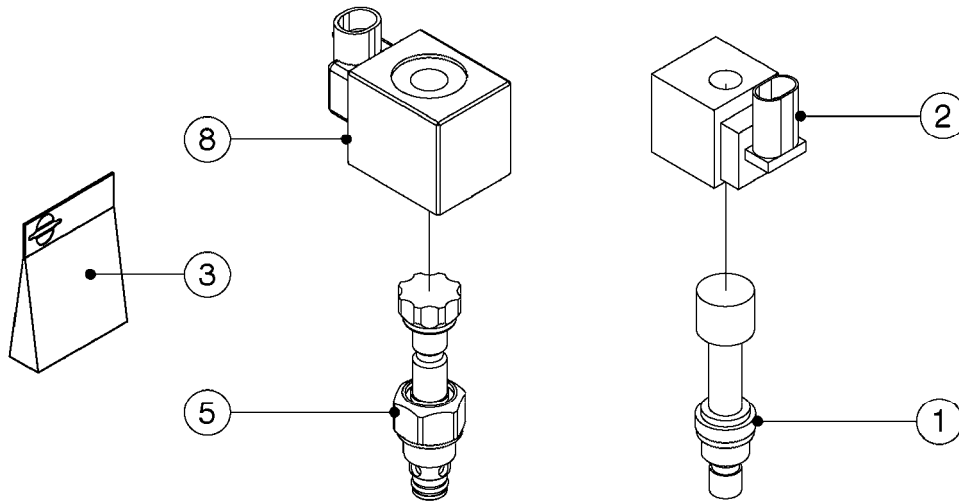


CANNOT MIX SOLENOID VALVES AND COILS
IF IN DOUBT, ORDER COMPLETE SET (4)

CURRENT STYLE (2018)



OLD STYLES (PRE 2018)



C0910



HYDRAULIC SOLENOIDS
C0910-HIN, 13:05:19

Page 1

Date 07.02.2020 10:25

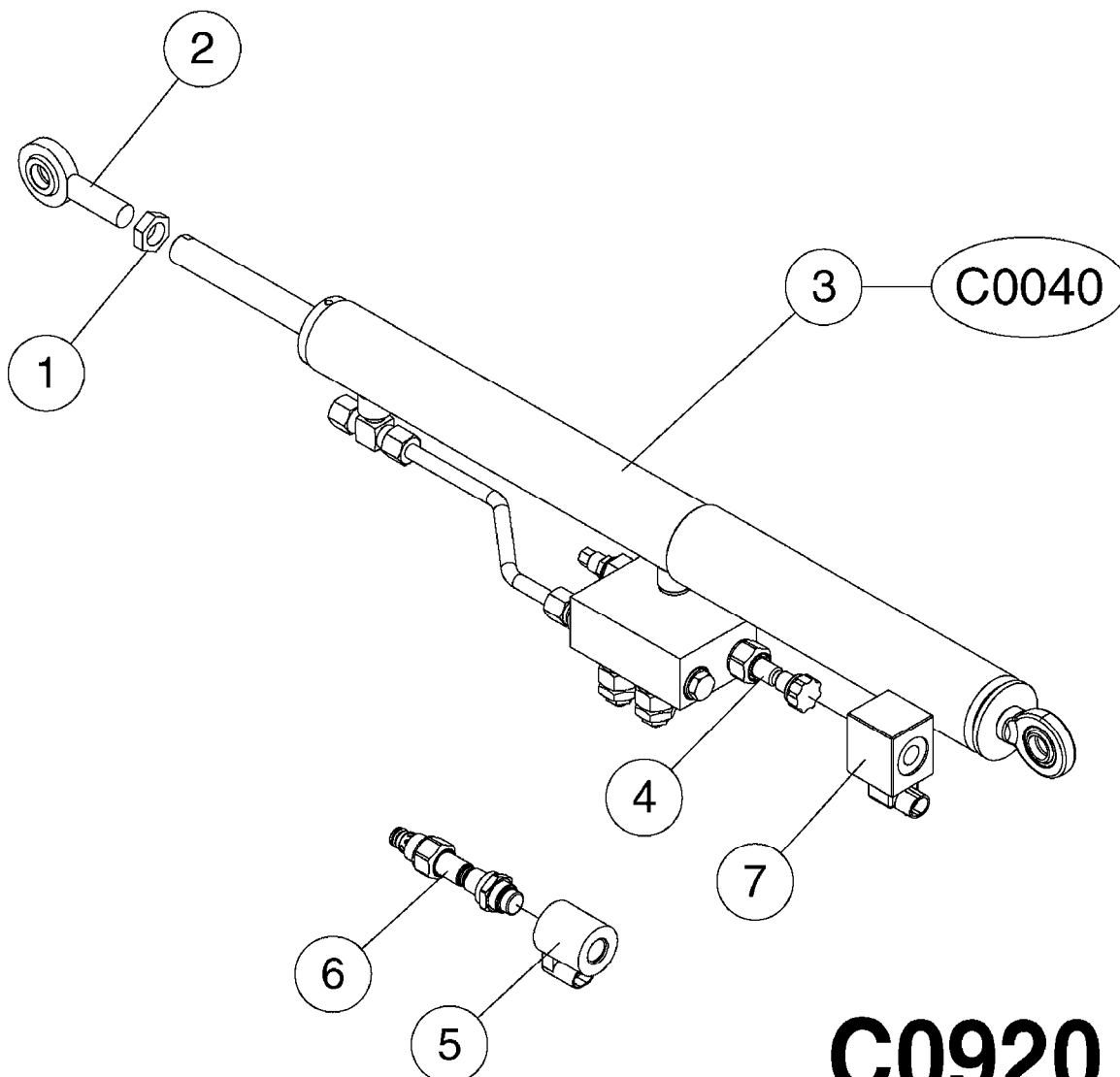
| Pos. | parts-n° | order qty | description |
|------|----------|-----------|--|
| 1 | 782129 | 1 | SOLENOID VALVE 25L, 3/4"NC |
| 2 | 782135 | 1 | SOLENOID W. AMP F.VALVE 782129 |
| 3 | 28100800 | 1 | SEAL KIT F. 782129/78215500 PRE 2018 ONLY |
| 4 | 75586600 | 1 | SOLENOID VALVE NC, + COIL |
| 5 | 78215500 | 1 | HY SOLENOID VALVE 40L 3/4"NC |
| 6 | 78222700 | 1 | COIL W. AMP |
| 7 | 78222800 | 1 | SOLENOID VALVE NC, DOUBLE LOCK |
| 8 | 78602100 | 1 | MAGNET M.AMP/DIODE KIT 08 |



HYD. DAMPER, LOCKING CYLINDER
C0920-HIN, 05:06:19

Page 0

Date 07.02.2020 10:25



C0920

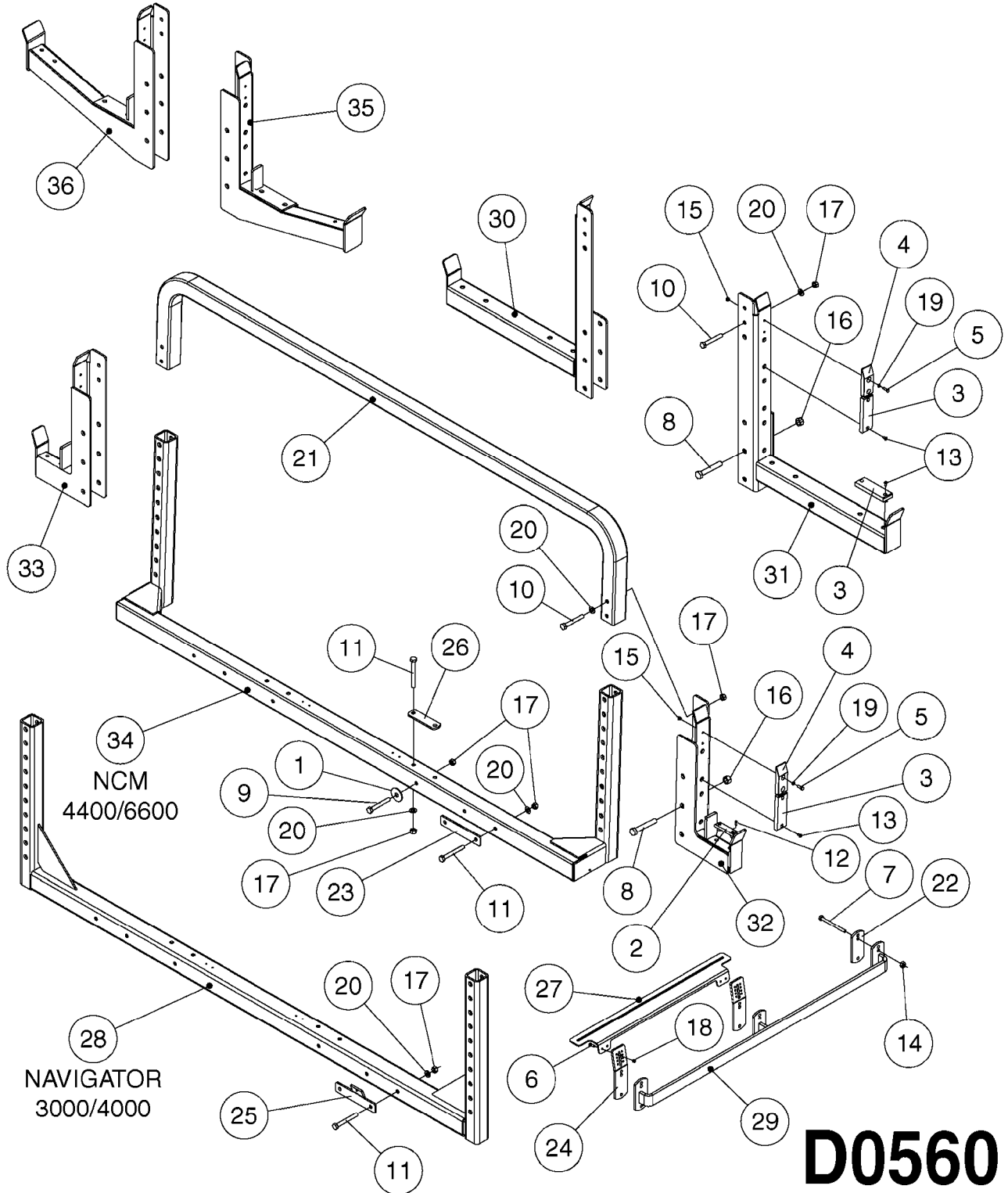


HYD. DAMPER, LOCKING CYLINDER
C0920-HIN, 05:06:19

Page 1

Date 07.02.2020 10:25

| Pos. | parts-n° | order qty | description |
|------|----------|-----------|---|
| 1 | 461198 | 1 | NUT HEX M16X2 JAMB |
| 2 | 21091900 | 1 | LINK HEAD M16 x D17 DELTA |
| 3 | 78126000 | 1 | CYLINDER,DAMPNER,LOCKING |
| 4 | 78215500 | 1 | HY SOLENOID VALVE 40L 3/4"NC PRE 2019 |
| 5 | 78222700 | 1 | COIL W. AMP POST 2019 |
| 6 | 78223000 | 1 | SOLENOID VALVE NC, PUSH/TWISH OVERRIDE, DOUBLE LOC POST 2019 |
| 7 | 78602100 | 1 | MAGNET M.AMP/DIODE KIT 08 PRE 2019 |

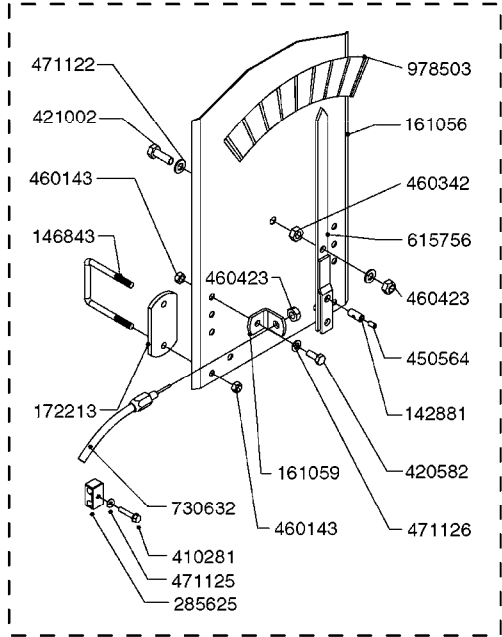




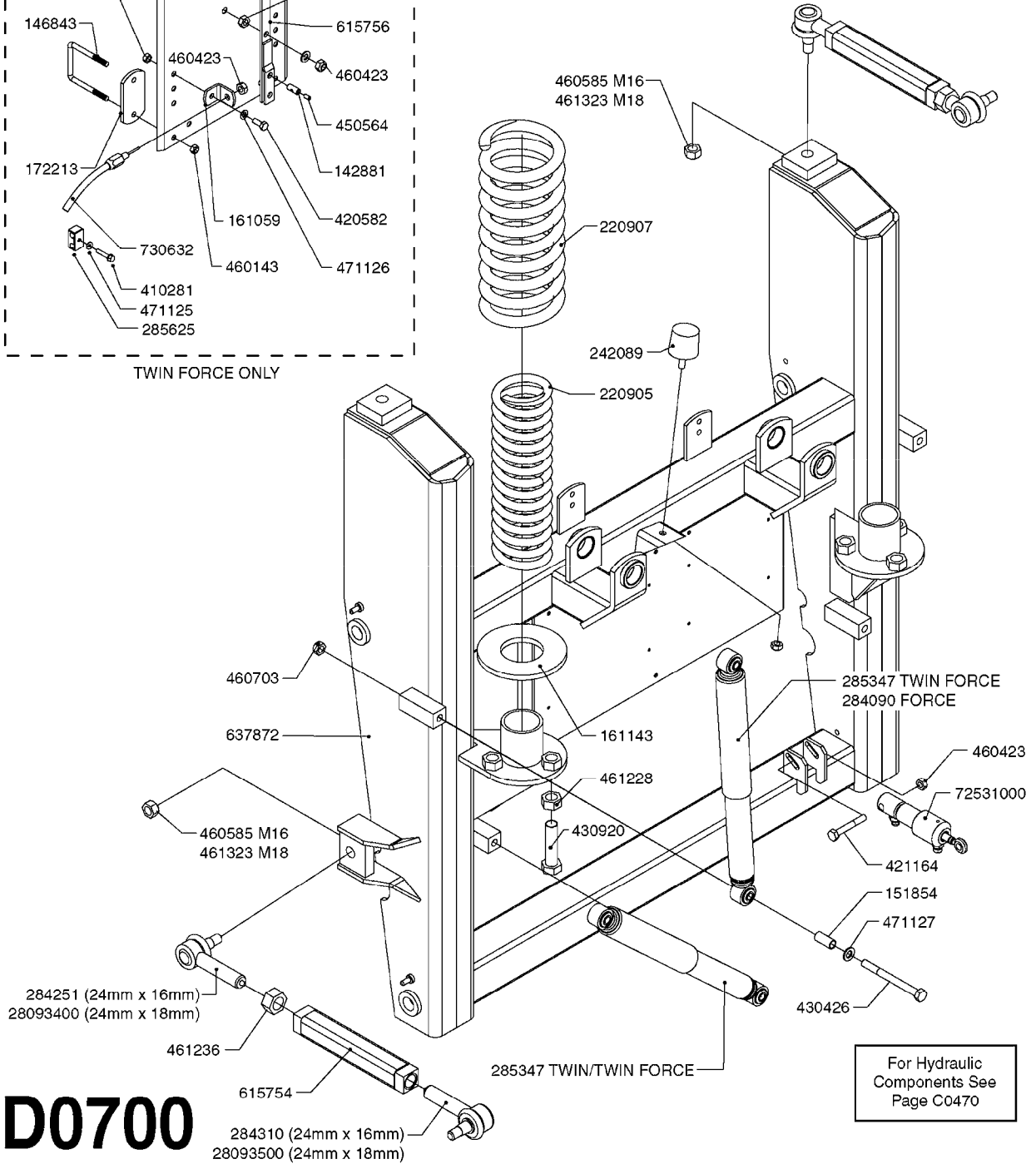
TRANSPORT BKTS - NCM/NAVIGATOR
D0560-HIN, 01:01:16

Page 1
Date 07.02.2020 10:25

| Pos. | parts-n° | order qty | description |
|------|----------|-----------|---|
| 1 | 163074 | 1 | WASHER D54/D17X3 |
| 2 | 333956 | 1 | SLIDE SHOE 91X25X10 |
| 3 | 334135 | 1 | SLIDE SHOE 140X45X15 |
| 4 | 390826 | 1 | SLIDE PAD F.TRANSPORT BKT.CM/D |
| 5 | 410362 | 1 | BOLT HEX 8.8 SS M6X20 |
| 6 | 410406 | 1 | BOLT HEX 8.8 DEL M5X16 FT |
| 7 | 421232 | 1 | BOLT HEX 8.8 DEL M8X110 |
| 8 | 430264 | 1 | BOLT HEX 8.8 DEL M16X100 |
| 9 | 430367 | 1 | BOLT HEX 8.8 DEL M12X100 DIN931 |
| 10 | 430485 | 1 | BOLT HEX 8.8 DEL M12X90 |
| 11 | 430892 | 1 | BOLT HEX 8.8 DEL M12X110 |
| 12 | 440665 | 1 | SCREW M4.2X16 STAINLESS |
| 13 | 440708 | 1 | SCREW M5.5X16 SELF TAPPING SS |
| 14 | 460143 | 1 | SELF LOCK NUT M8 SST A2 DIN985 |
| 15 | 460261 | 1 | NUT HEX M6X1.00 LOCK DIN985 A2 SS |
| 16 | 460585 | 1 | LOCKING NUT M16 DIN985 A2 SS |
| 17 | 460703 | 1 | NUT HEX M12X1.75 LOCK DIN985A2 SS |
| 18 | 461217 | 1 | NUT HEX M5 LOCK |
| 19 | 471125 | 1 | WASHER M6U 6.4X14X1.2,A2 SS |
| 20 | 471127 | 1 | WASHER, M12, Ø24/13X24X2.5 SS |
| 21 | 15028703 | 1 | TRANSPORT CROSS TUBE CM4400 |
| 22 | 16092803 | 1 | PLATE F. TRANSPORT CM+ |
| 23 | 16101703 | 1 | PLATE 1/4"x1-1/2" L=270/2xØ13 NCM 4400/6600 |
| 23 | 16118303 | 1 | PLATE F. CM8500-10000 TRANSPORT NCM 9000 |
| 24 | 16109303 | 1 | PLATE F. TRANSPORT REST CM |
| 25 | 16116703 | 1 | PLATE, S/G TUBE MT NAVIGATOR |
| 26 | 16138700 | 1 | PLATE F. TRANSPORT CROSS BAR |
| 27 | 16183403 | 1 | BRACKET, TRANSPORT BAR NOZ SPC, RED T25 NOZZLE BRACKET |
| 28 | 61010903 | 1 | TRANSPORT CROSS BAR NAVIGATOR |
| 29 | 61012603 | 1 | TRANSPORT REST SPC NCM 4400 |
| 30 | 63024603 | 1 | TRANSPORT REST FTZ R.H. CM4400 |
| 31 | 63024703 | 1 | TRANSPORT REST FTZ L.H. CM4400 |
| 32 | 63024803 | 1 | TRANSPORT REST SPC NCM/NAV |
| 33 | 63024903 | 1 | TRANSPORT REST SPC NCM/NAV |
| 34 | 63027503 | 1 | TRANSPORT CROSS BAR NCM44/6600 |
| 35 | 63038003 | 1 | TRANSPORT BRACKET, 120 SPC LH |
| 36 | 63038103 | 1 | TRANSPORT BRACKET, 120 SPC RH |



TWIN FORCE ONLY



For Hydraulic
Components See
Page C0470

D0700



BOOM FORCE/TWIN FORCE LIFT F
D0700-HIN, 01:01:16

Page 1
Date 07.02.2020 10:25

| parts-n° | order qty | description |
|----------|-----------|-----------------------------------|
| 142881 | 1 | WIRE HOLDER FOR REMOTE CONTROL |
| 146843 | 1 | BOLT U M8 F.60 x 60 |
| 151854 | 1 | BUSHING F.SHOCK |
| 161056 | 1 | PLATE F. TILT INDICATOR |
| 161059 | 1 | BRACKET F.TILT INDICATOR CABLE |
| 161143 | 1 | PLATE F SPRING |
| 172213 | 1 | FLAT BAR F.Boom STRAP |
| 220905 | 1 | SPRING D101/14 BLACK |
| 220907 | 1 | SPRING D144/19 BLACK |
| 242089 | 1 | RUBBER STOP D50X40 M10 |
| 284090 | 1 | SHOCK ABSORBER |
| 284251 | 1 | ROD END 25Ø (24mm x 16mm) RH |
| 284310 | 1 | ROD END 25Ø (24mm x 16mm) LH |
| 285347 | 1 | SHOCK TF |
| 285625 | 1 | CLAMP FOR CABLE D12MM |
| 410281 | 1 | BOLT HEX 8.8 DEL M6X25 DIN933 A2 |
| 420582 | 1 | BOLT HEX 8.8 DEL M8X20 FT A2 |
| 421002 | 1 | BOLT HEX 8.8 DEL M10X30 FT DIN933 |
| 421164 | 1 | BOLT HEX 8.8 DEL M10X70 |
| 430426 | 1 | BOLT HEX 8.8 DEL M12X130 |
| 430920 | 1 | BOLT HEX M20x80MM |
| 450564 | 1 | SCREW M6X12 ALLEN |
| 460143 | 1 | SELF LOCK NUT M8 SST A2 DIN985 |
| 460342 | 1 | NUT HEX M10 DEL DIN934 |
| 460423 | 1 | NUT HEX M10X1.50 LOCK DIN985A2 SS |
| 460585 | 1 | LOCKING NUT M16 DIN985 A2 SS |
| 460703 | 1 | NUT HEX M12X1.75 LOCK DIN985A2 SS |
| 461228 | 1 | NUT HEX M20 |
| 461236 | 1 | NUT HEX M24X1.5 |
| 461323 | 1 | NUT HEX M18X1.5 LOCK |
| 471122 | 1 | WASHER, M10, Ø20/10.5X 2.0, SS |
| 471125 | 1 | WASHER M6U 6.4X14X1.2,A2 SS |
| 471126 | 1 | WASHER, M8, Ø16/ 8.4X 1.6, SS |
| 471127 | 1 | WASHER, M12, Ø24/13X24X2.5 SS |
| 615754 | 1 | TURN BUCKLE |
| 615756 | 1 | INDICATOR ARROW |
| 637872 | 1 | LIFT CENTER SECTION TF |
| 730632 | 1 | REMOTE INDICATOR CABLE 106" |
| 978503 | 1 | DECAL TILT SCALE TWIN FORCE |
| 28093400 | 1 | ROD END 35Ø (24mm x 18mm) RH |
| 28093500 | 1 | ROD END 35Ø (24mm x 18mm) LH |
| 72531000 | 1 | CYL. D25/12-50/78124200 W/FITT |



WIDE CENTER FRAME-FORCE/TF
D0740-HIN, 05:06:19

Page 1
Date 07.02.2020 10:25

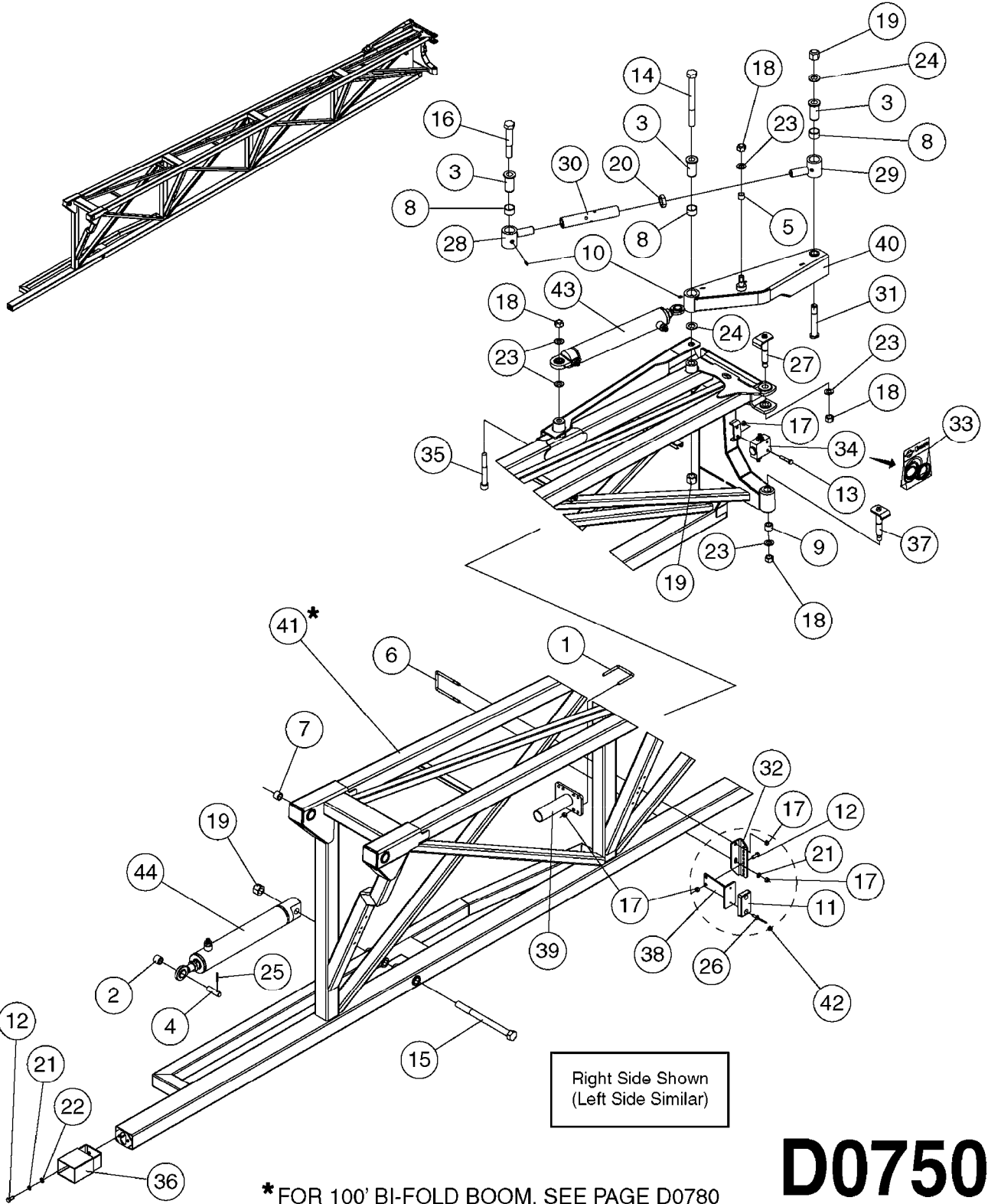
| parts-n° | order qty | description |
|----------|-----------|-----------------------------------|
| 145224 | 1 | SHAFT FOR HY CYLINDER |
| 147450 | 1 | PIN D20 X 70 |
| 147562 | 1 | BUSHING D19.8/17.0 L=15 |
| 147749 | 1 | BUSHING D25.0/20.2 L=38 |
| 151854 | 1 | BUSHING F.SHOCK |
| 161143 | 1 | PLATE F SPRING |
| 210861 | 1 | BUSHING |
| 210862 | 1 | BUSHING 28X25X20 |
| 210865 | 1 | BUSHING 40mm40mm DU |
| 210866 | 1 | BUSHING D39/35 L=20 |
| 220905 | 1 | SPRING D101/14 BLACK |
| 242493 | 1 | RUBBER BUMPER 60X40X150 |
| 283699 | 1 | GREASE NIPPLE M6X1 |
| 283772 | 1 | GREASE NIPPLE M6X1 90° |
| 284251 | 1 | ROD END 25Ø (24mm x 16mm) RH |
| 284310 | 1 | ROD END 25Ø (24mm x 16mm) LH |
| 285347 | 1 | SHOCK TF |
| 390788 | 1 | TEFLON WARE PAD |
| 391025 | 1 | JOINER BLOCK - FORCE |
| 420626 | 1 | BOLT HEX 8.8 DEL M10X20 FT |
| 421046 | 1 | BOLT HEX M8X25/25 A2 SS DIN933 |
| 430426 | 1 | BOLT HEX 8.8 DEL M12X130 |
| 430721 | 1 | BOLT HEX 8.8 DEL M12X40 FT |
| 430888 | 1 | BOLT HEX 8.8 DEL M20X130 |
| 430892 | 1 | BOLT HEX 8.8 DEL M12X110 |
| 430920 | 1 | BOLT HEX M20x80MM |
| 450343 | 1 | SCREW M8X30 ALLEN HEAD C/S SS |
| 460143 | 1 | SELF LOCK NUT M8 SST A2 DIN985 |
| 460423 | 1 | NUT HEX M10X1.50 LOCK DIN985A2 SS |
| 460585 | 1 | LOCKING NUT M16 DIN985 A2 SS |
| 460703 | 1 | NUT HEX M12X1.75 LOCK DIN985A2 SS |
| 460747 | 1 | NUT HEX M24 LOCK |
| 460806 | 1 | NUT HEX M20X2.50 LOCK DIN985A2 SS |
| 461228 | 1 | NUT HEX M20 |
| 461236 | 1 | NUT HEX M24X1.5 |
| 461323 | 1 | NUT HEX M18X1.5 LOCK |
| 471127 | 1 | WASHER, M12, Ø24/13X24X2.5 SS |
| 471128 | 1 | WASHER, M16, Ø30/17.0X 3.0, SS |
| 471129 | 1 | WASHER, M20, Ø37/21.0X 3.0, SS |
| 471130 | 1 | WASHER, M24, Ø44/25.0X 4.0, SS |
| 480708 | 1 | PIN D4 X 45 |
| 480730 | 1 | PIN ROLL 5X30 STAINLESS STEEL |
| 480733 | 1 | PIN D6 X 40 |
| 615655 | 1 | PIN D25 X 156 F. PARALIFT |
| 615805 | 1 | PIN |
| 615806 | 1 | PIN |
| 615810 | 1 | PIN |
| 615812 | 1 | PIN |
| 615971 | 1 | TRAPEZE ARM FORCE 110' |
| 615972 | 1 | PIN D25X185 M24 |
| 616075 | 1 | FLANGE F. FORCE HINGE |
| 616076 | 1 | LINK ARM MOUNT BRACKET |
| 616078 | 1 | LINK ARM |
| 637863 | 1 | HINGE F.TF LOWER |
| 981590 | 1 | EDGE GUARD 6-8MM X 12" |
| 16375500 | 1 | WASHER 10.0X60X25 RED |
| 21091900 | 1 | LINK HEAD M16 x D17 DELTA |
| 22096100 | 1 | SPRING D146/20 BLACK |
| 24262900 | 1 | RUBBER STOP D50X40 M10X33 |
| 28028100 | 1 | GREASE NIPPLE 1/8'RG 90° |
| 28093400 | 1 | ROD END 35Ø (24mm x 18mm) RH |



WIDE CENTER FRAME-FORCE/TF
D0740-HIN, 05:06:19

Page 2
Date 07.02.2020 10:25

| parts-n° | order qty | description |
|----------|-----------|--------------------------------|
| 28093500 | 1 | ROD END 35Ø (24mm x 18mm) LH |
| 61005200 | 1 | HOSE HOLDER |
| 61046000 | 1 | LINK ARM MNT BKT. FTZ "06" |
| 61054200 | 1 | PIN D25X162 M20 W/LUBE HOLE 09 |
| 63031000 | 1 | HINGE F.TWIN FORCE |
| 63045300 | 1 | PIVOT SUPRT BAR FORCE CEN. |
| 63061800 | 1 | CENTER SECTION FORCE |
| 63061900 | 1 | LIFT FRAME CM - FORCE |
| 63062000 | 1 | SUSPENSION ARM RH |
| 63062100 | 1 | SUSPENSION ARM LH |
| 63823700 | 1 | HINGE F.FORCE |
| 63823800 | 1 | INNER HINGE F.FORCE |
| 78126000 | 1 | CYLINDER, DAMPNER, LOCKING |
| 78128800 | 1 | CYLINDER, D50/30-500 |





BOOM-FORCE INNER WING 80'-132'
D0750-HIN, 01:01:16

| Pos. | parts-n° | order qty | description |
|------|----------|-----------|--|
| 1 | 146843 | 1 | BOLT U M8 F.60 x 60 |
| 2 | 147130 | 1 | BUSHING D25/20 20MM |
| 3 | 147390 | 1 | BUSHING |
| 4 | 147450 | 1 | PIN D20 X 70 |
| 5 | 147562 | 1 | BUSHING D19.8/17.0 L=15 |
| 6 | 147770 | 1 | U-BOLT M8-105X63 |
| 7 | 210835 | 1 | BUSHING D28/25 L=25 |
| 8 | 210858 | 1 | BUSHING 034/30 L=20 |
| 9 | 210859 | 1 | BUSH Ø23X20 L20 |
| 10 | 283699 | 1 | GREASE NIPPLE M6X1 |
| 11 | 334603 | 1 | RUBBER STOP 86X48X15 |
| 12 | 420582 | 1 | BOLT HEX 8.8 DEL M8X20 FT A2 |
| 13 | 420781 | 1 | BOLT HEX 8.8 DEL M8X50 |
| 14 | 430940 | 1 | BOLT M20X210 8.8 DEL. |
| 15 | 430941 | 1 | BOLT M20X260 8.8 DEL. |
| 16 | 430970 | 1 | BOLT HEX M20X120 DIN931- DEL |
| 17 | 460143 | 1 | SELF LOCK NUT M8 SST A2 DIN985 |
| 18 | 460585 | 1 | LOCKING NUT M16 DIN985 A2 SS |
| 19 | 460806 | 1 | NUT HEX M20X2.50 LOCK DIN985A2 SS |
| 20 | 461236 | 1 | NUT HEX M24X1.5 |
| 21 | 470072 | 1 | WASHER D15/D8X.5 LOCK |
| 22 | 471126 | 1 | WASHER, M8, Ø16/ 8.4X 1.6, SS |
| 23 | 471128 | 1 | WASHER, M16, Ø30/17.0X 3.0, SS |
| 24 | 471129 | 1 | WASHER, M20, Ø37/21.0X 3.0, SS |
| 25 | 480708 | 1 | PIN D4 X 45 |
| 26 | 480808 | 1 | RIVET Ø4.8x25.5/Ø9.5 |
| 27 | 615820 | 1 | PIN D20 X M16 L=127MM |
| 28 | 61009200 | 1 | EYEBOLT LH TRD./ LH WING M24 EYEBOLT WITH L.H. THREADS FOR LEFT WING |
| 28 | 616084 | 1 | EYEBOLT LH TRD./ RH WING M24 EYEBOLT WITH R.H. THREADS FOR RIGHT WING |
| 29 | 61009300 | 1 | EYEBOLT STD.TRD. / RH WING M24 EYEBOLT WITH STD. THREADS FOR RIGHT WING |
| 29 | 616085 | 1 | EYEBOLT STD. TRD./ LH WING M24 EYEBOLT WITH STD. THREADS FOR LEFT WING |
| 30 | 14008800 | 1 | TURNBUCKLE L=200/M24X1.5 |
| 31 | 14011900 | 1 | PIN M20 L=125/D30 |
| 32 | 16063803 | 1 | BOOM STOP ADJ. MT. BKT.FTZ |
| 33 | 28001800 | 1 | REPAIR KIT F.ENDSTOP 1/4" |
| 34 | 28028600 | 1 | END STOP 1/4" |
| 35 | 45003000 | 1 | BOLT HEX M16X120 DIN912/DELTA |
| 36 | 61005300 | 1 | EXTENSION F.FTZ - OFF CENTER |
| 36 | 61005400 | 1 | EXTENSION F.FTZ - ON CENTER |
| 37 | 61006800 | 1 | PIN D20 X M16 L=127MM |
| 38 | 61006903 | 1 | BOOM STOP ADJ. L=111 FTZ |
| 39 | 61015600 | 1 | BOOM STOP TRANS REST,I.FTZ |
| 40 | 63118500 | 1 | FOLDING ARM 1. FTZ / HAZ. R. RED FOLD ARM FOR RIGHT WING |
| 40 | 63118800 | 1 | FOLDING ARM 1. FTZ / HAZ. L RED FOLD ARM FOR LEFT WING |
| 41 | 70081103 | 1 | WING INNER 90/120/132' RH I.F. R.H. WING FOR 90', 120' & 132' BOOMS |
| 41 | 70081203 | 1 | WING INNER 90/120/132' LH I.F. L.H. WING FOR 90', 120' & 132' BOOMS |
| 41 | 70081603 | 1 | WING INNER 80'/100'T RH I.F. R.H. WING FOR 80' & 100' TRI-FOLD BOOMS |
| 41 | 70081703 | 1 | WING INNER 80'/100'T LH I.F. L.H. WING FOR 80' & 100' TRI-FOLD BOOMS |
| 42 | 72252900 | 1 | BOOM STOP ADJSTBL. FORCE L=148 COMPLETE ASSEMBLY (WITH U-BOLT) |

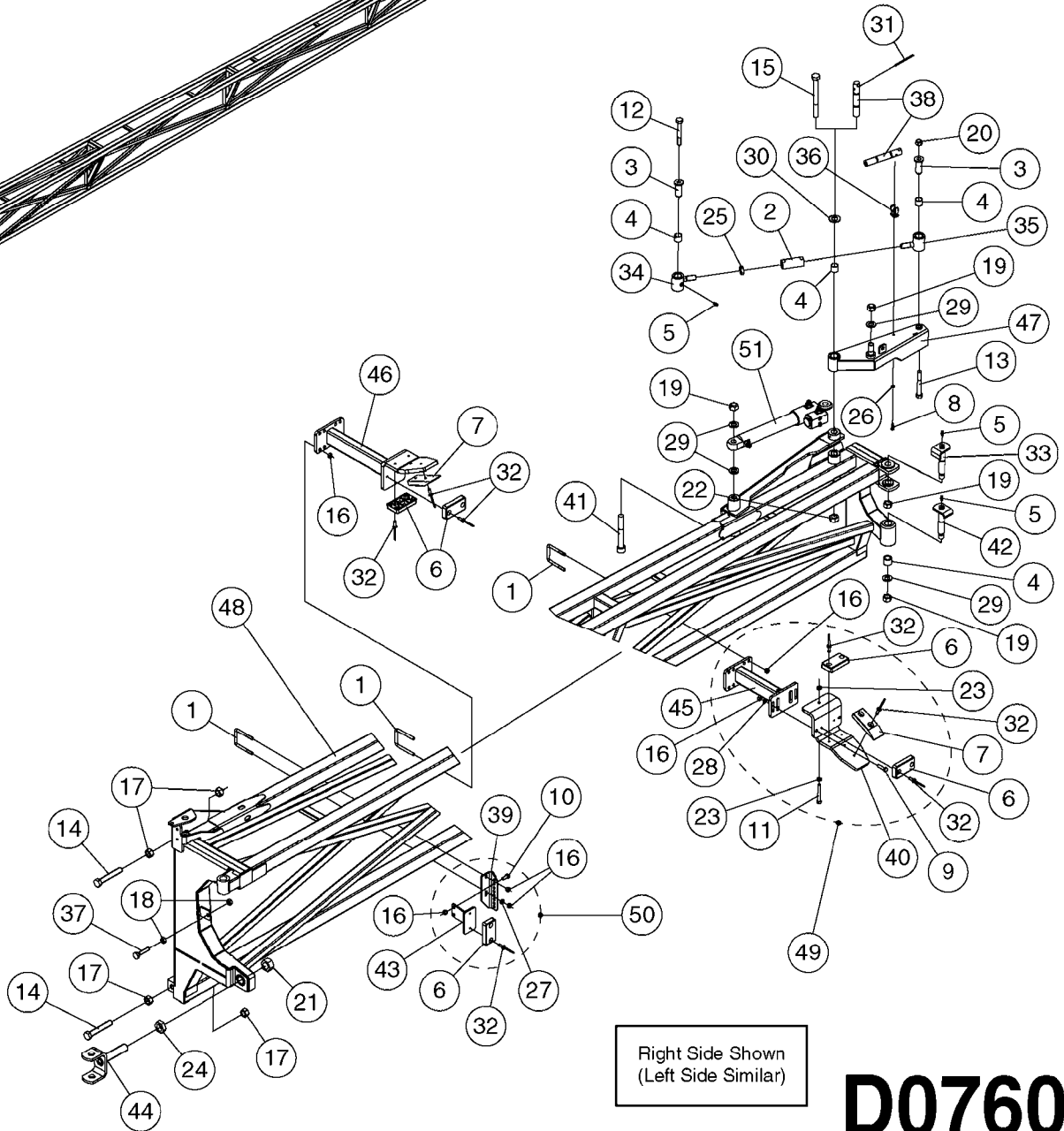
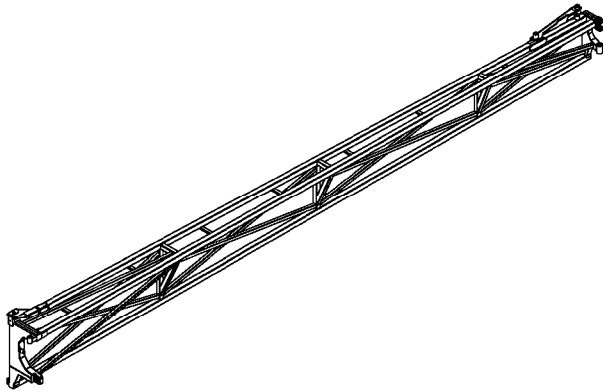


BOOM-FORCE INNER WING 80'-132'
D0750-HIN, 01:01:16

Page 2

Date 07.02.2020 10:25

| Pos. | parts-n° | order qty | description |
|------|----------|-----------|--|
| 43 | 78122100 | 1 | CYLINDER DOUBLE D50/25-298 CYLINDER FOR 120' & 132' BOOMS |
| 43 | 78122400 | 1 | DOUBLE CYLINDER D 40/20-300 CYLINDER FOR 80'-100' BOOMS |
| 44 | 78128800 | 1 | CYLINDER, D50/30-500 |





BOOM-FORCE OUTER WING 110-132'
D0760-HIN, 01:01:16

Page 1
Date 07.02.2020 10:25

| Pos. | parts-n° | order qty | description |
|------|----------|-----------|--|
| 1 | 147516 | 1 | U-BOLT M8-50x50 |
| 2 | 147649 | 1 | TURNBUCKLE D30.0 L=64/M16X1.5 |
| 3 | 147763 | 1 | BUSHING D20.0/12.0 L=55 |
| 4 | 210859 | 1 | BUSH Ø23X20 L20 |
| 5 | 283699 | 1 | GREASE NIPPLE M6X1 |
| 6 | 334603 | 1 | RUBBER STOP 86X48X15 |
| 7 | 390826 | 1 | SLIDE PAD F.TRANSPORT BKT.CM/D |
| 8 | 410185 | 1 | BOLT HEX 8.8 DEL M6X16 |
| 9 | 420567 | 1 | BOLT HEX 8.8 DEL M8X30 FT |
| 10 | 420582 | 1 | BOLT HEX 8.8 DEL M8X20 FT A2 |
| 11 | 421254 | 1 | BOLT HEX 8.8 SS M8X50 |
| 12 | 430485 | 1 | BOLT HEX 8.8 DEL M12X90 |
| 13 | 430787 | 1 | BOLT HEX M12X90 A4-80 |
| 14 | 430861 | 1 | BOLT HEX 8.8 DEL M16X100 FT |
| 15 | 430940 | 1 | BOLT M20X210 8.8 DEL. |
| 16 | 460143 | 1 | SELF LOCK NUT M8 SST A2 DIN985 |
| 17 | 460327 | 1 | NUT HEX M16X2 |
| 18 | 460342 | 1 | NUT HEX M10 DEL DIN934 |
| 19 | 460585 | 1 | LOCKING NUT M16 DIN985 A2 SS |
| 20 | 460703 | 1 | NUT HEX M12X1.75 LOCK DIN985A2 SS |
| 21 | 460747 | 1 | NUT HEX M24 LOCK |
| 22 | 460806 | 1 | NUT HEX M20X2.50 LOCK DIN985A2 SS |
| 23 | 460817 | 1 | NUT HEX M8 STAINLESS DIN 934 |
| 24 | 461244 | 1 | NUT HEX M24X3 JAMB. |
| 25 | 461302 | 1 | NUT HEX M16X1.5 JAMB. |
| 26 | 470061 | 1 | WASHER D11/D7X0.5 LOCK |
| 27 | 470072 | 1 | WASHER D15/D8X.5 LOCK |
| 28 | 471126 | 1 | WASHER, M8, Ø16/ 8.4X 1.6, SS |
| 29 | 471128 | 1 | WASHER, M16, Ø30/17.0X 3.0, SS |
| 30 | 471129 | 1 | WASHER, M20, Ø37/21.0X 3.0, SS |
| 31 | 480780 | 1 | PIN M5.0X70 SPLIT |
| 32 | 480808 | 1 | RIVET Ø4.8x25.5/Ø9.5 |
| 33 | 615796 | 1 | PIN D20 X M16 L=119MM |
| 34 | 61006600 | 1 | EYEBOLT STD.TRD. / RH WING M16 EYEBOLT WITH STD. THREADS FOR RIGHT WING |
| 34 | 616081 | 1 | EYEBOLT STD.TRD. / LH WING M16 EYEBOLT WITH STD. THREADS FOR LEFT WING |
| 35 | 61006700 | 1 | EYEBOLT LH TRD. / RH WING M16 EYEBOLT WITH L.H. THREADS FOR RIGHT WING |
| 35 | 616083 | 1 | EYEBOLT LH TRD. / LH WING M16 EYEBOLT WITH L.H. THREADS FOR LEFT WING |
| 36 | 725618 | 1 | CLIP WHITE PLASTIC SNAP TYPE |
| 37 | 14011800 | 1 | BOLT HEX DEL M10X60 SPECIAL |
| 38 | 14012300 | 1 | SHEAR PIN D19.8 L=132/D5 |
| 39 | 16063803 | 1 | BOOM STOP ADJ. MT. BKT.FTZ |
| 40 | 16099000 | 1 | BOOM STOP ADJ. PLATE FTZ |
| 41 | 45003000 | 1 | BOLT HEX M16X120 DIN912/DELTA |
| 42 | 61006800 | 1 | PIN D20 X M16 L=127MM |
| 43 | 61007003 | 1 | BOOM STOP HPZ/FTZ L=95/75 |
| 44 | 61008700 | 1 | LINK EYE FORCE |
| 45 | 61015400 | 1 | BOOM STOP ADJ. MT BKT FTZ |
| 46 | 61015900 | 1 | BOOMSTOP/SUP HPZ/FTZ L=288 |
| 47 | 63002200 | 1 | FOLD ARM FTZ 2.RH FOLD ARM FOR RIGHT WING |
| 47 | 63002300 | 1 | FOLD ARM FTZ 2.LH FOLD ARM FOR LEFT WING |
| 48 | 70081803 | 1 | WING INTER. FORCE 120/132' RH |
| 48 | 70081903 | 1 | WING INTER. FORCE 120/132' LH |
| 48 | 70082003 | 1 | WING INTER. FORCE 100'T RH |
| 48 | 70082103 | 1 | WING INTER. FORCE 100'T LH |
| 49 | 72252600 | 1 | BOOM STOP ADJSTBL. FORCE L=241 |

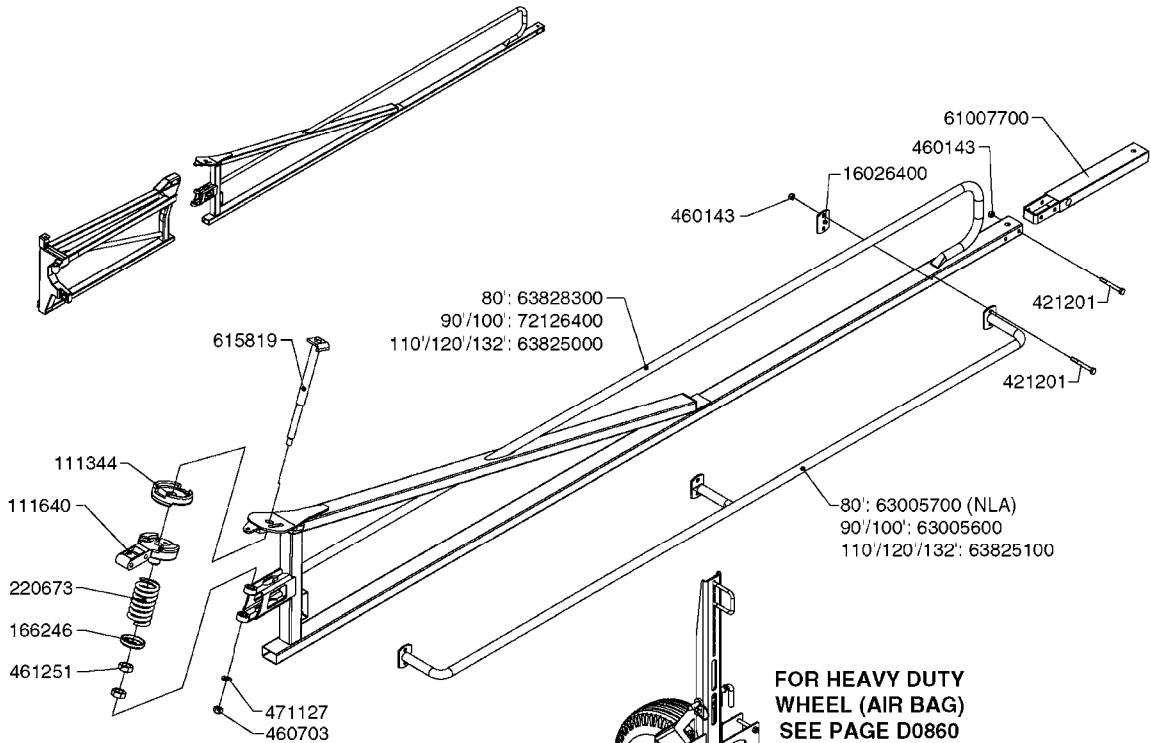


BOOM-FORCE OUTER WING 110-132'
D0760-HIN, 01:01:16

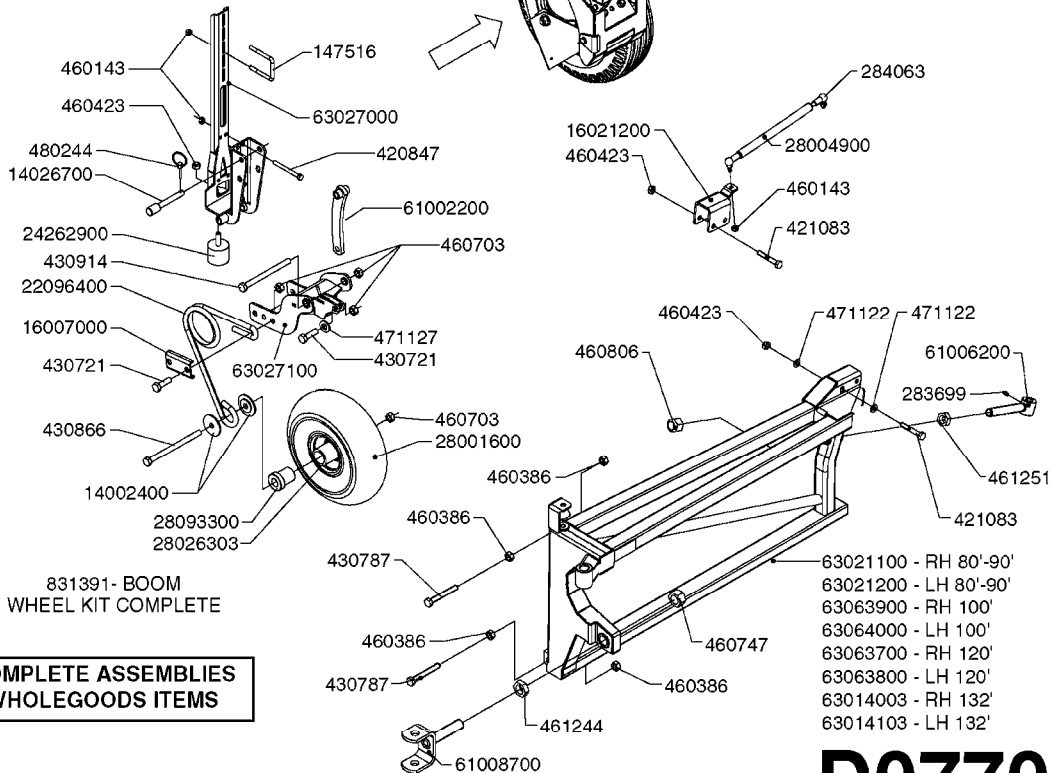
Page 2

Date 07.02.2020 10:25

| Pos. | parts-n° | order qty | description |
|------|----------|-----------|--------------------------------|
| 50 | 72252800 | 1 | BOOM STOP ADJSTBL. FORCE L=108 |
| 51 | 78126400 | 1 | CYLINDER DBLE D32/16-200 W.STP |



FOR HEAVY DUTY
WHEEL (AIR BAG)
SEE PAGE D0860



831391- BOOM
WHEEL KIT COMPLETE

COMPLETE ASSEMBLIES
WHOLEGOODS ITEMS

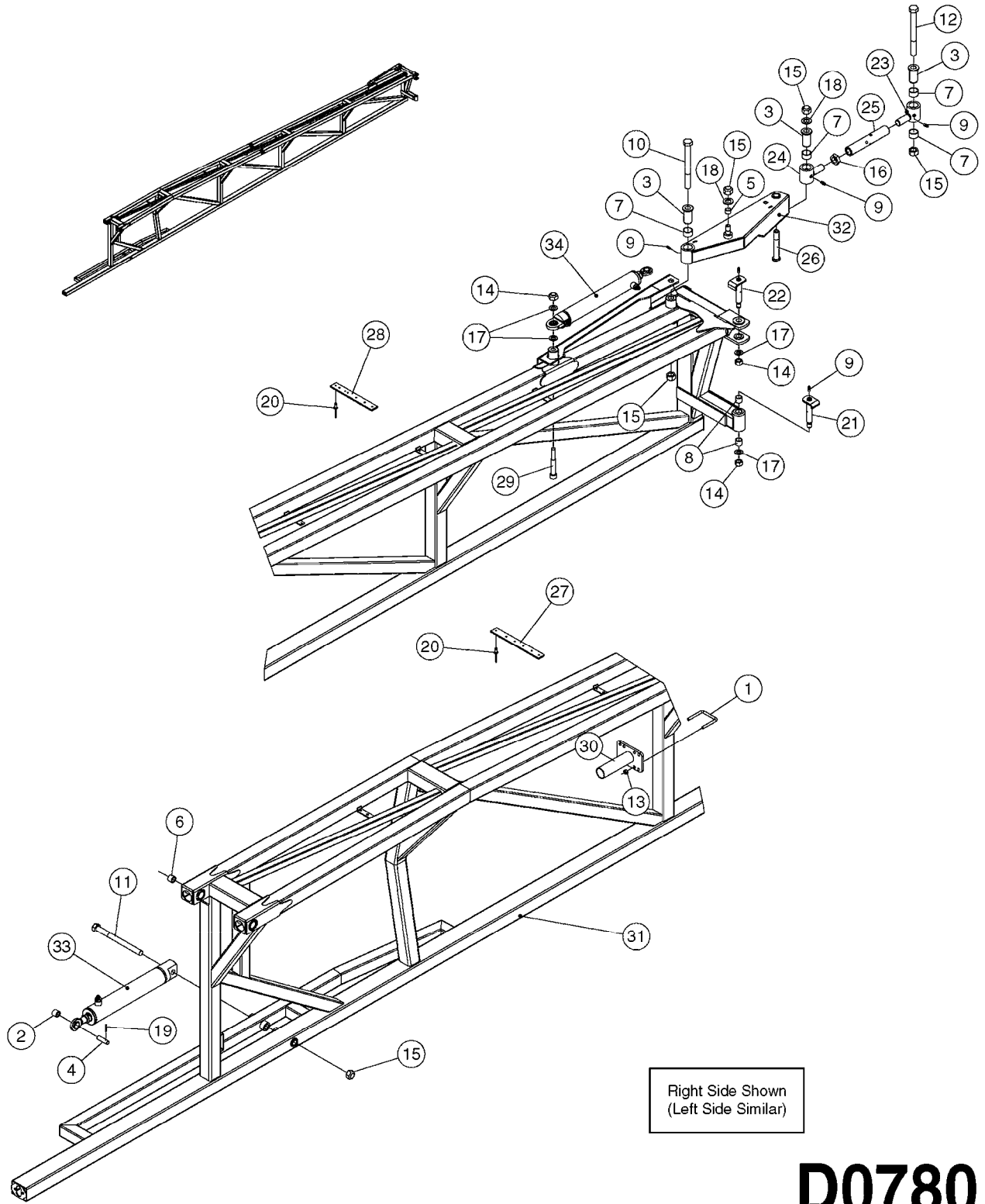
D0770



BOOM-FORCE BREAKAWAY 80'-132'
D0770-HIN, 01:01:16

Page 1
Date 07.02.2020 10:25

| parts-n° | order qty | description |
|----------|-----------|---------------------------------------|
| 111344 | 1 | CLAW CLUTCH Ø100/Ø20,5 UNDER PART RED |
| 111640 | 1 | CLAW CLUTCH Ø100 TOP PART RED |
| 147516 | 1 | U-BOLT M8-50x50 |
| 166246 | 1 | WASHER CUP D53 F.SPRING |
| 220673 | 1 | SPRING F.PIVOT 100 X 51 |
| 283699 | 1 | GREASE NIPPLE M6X1 |
| 284063 | 1 | BALL JOINT M6 90 DEGREE |
| 420847 | 1 | BOLT HEX 8.8 DEL M8X85 |
| 421083 | 1 | BOLT HEX 8.8 DEL M10X65 |
| 421201 | 1 | BOLT HEX 8.8 DEL M8X70 |
| 430721 | 1 | BOLT HEX 8.8 DEL M12X40 FT |
| 430787 | 1 | BOLT HEX M12X90 A4-80 |
| 430866 | 1 | BOLT HEX 8.8 DEL M12X170 |
| 430914 | 1 | BOLT HEX 8.8 DEL M12X150 |
| 460143 | 1 | SELF LOCK NUT M8 SST A2 DIN985 |
| 460386 | 1 | NUT HEX M12X1.75 |
| 460423 | 1 | NUT HEX M10X1.50 LOCK DIN985A2 SS |
| 460703 | 1 | NUT HEX M12X1.75 LOCK DIN985A2 SS |
| 460747 | 1 | NUT HEX M24 LOCK |
| 460806 | 1 | NUT HEX M20X2.50 LOCK DIN985A2 SS |
| 461244 | 1 | NUT HEX M24X3 JAMB. |
| 461251 | 1 | NUT HEX M20 X 2.5 JAMB |
| 471122 | 1 | WASHER, M10, Ø20/10.5X 2.0, SS |
| 471127 | 1 | WASHER, M12, Ø24/13X24X2.5 SS |
| 480244 | 1 | PIN SNAP D4.5 |
| 615819 | 1 | PIN |
| 831391 | 1 | BOOM WHEEL KIT F. FORCE 2002 |
| 14002400 | 1 | BUSHING D55.0/12.5 L=6 D34 |
| 14026700 | 1 | PIN Ø12 L=115/Ø5 |
| 16007000 | 1 | SPRING HOLDER L=80 |
| 16021200 | 1 | ANCHOR FORK F.40X40 TUBE |
| 16026400 | 1 | FLAT BAR 40X4 F.BRACE |
| 22096400 | 1 | SPRING FOR TOUCHDOWN WHEEL RED |
| 24262900 | 1 | RUBBER STOP D50X40 M10X33 |
| 28001600 | 1 | WHEEL 12-1/2" 4 PLY |
| 28004900 | 1 | GAS SPRING F.BREAKAWAY FORCE |
| 28026303 | 1 | BEARING SEALED OD47xID20 |
| 28093300 | 1 | BUSH F. TIRE ASSM 28001600 |
| 61002200 | 1 | ADJ.ARM FTZ BOOMWHEEL |
| 61006200 | 1 | ADJ. ARM F.BREAKAWAY FTZ |
| 61007700 | 1 | EXTENSION F.BREAKAWAY FORCE |
| 61008700 | 1 | LINK EYE FORCE |
| 63005600 | 1 | BRACE F.BREAKAWAY 90'/100' |
| 63005700 | 1 | BRACE F.BREAKAWAY 80' |
| 63014003 | 1 | BOOM WING 132' OUTER SEC. R.H. |
| 63014103 | 1 | BOOM WING 132' OUTER SEC. L.H. |
| 63021100 | 1 | WING OUT. FTZ 80-90' RH'10 |
| 63021200 | 1 | WING OUT. FTZ 80-90' LH'10 |
| 63027000 | 1 | FTZ BOOMWHEEL / TOP |
| 63027100 | 1 | SPRING BRACKET FOR BOOM WHEEL |
| 63063700 | 1 | WING OUTER 2 FORCE 120' RH |
| 63063800 | 1 | WING OUTER 2 FORCE 120' LH |
| 63063900 | 1 | WING OUTER FORCE 100'-120' RH |
| 63064000 | 1 | WING OUTER FORCE 100'-120' LH |
| 63825000 | 1 | BREAKAWAY FTZ/SPC 3.0M, RED |
| 63825100 | 1 | BRACE F.BREAKAWAY 110/120' |
| 63828300 | 1 | BREAKAWAY FTZ/SPC 2.0M, RED |
| 72126400 | 1 | WING BREAKAWAY 80'-90' SPC |



D0780

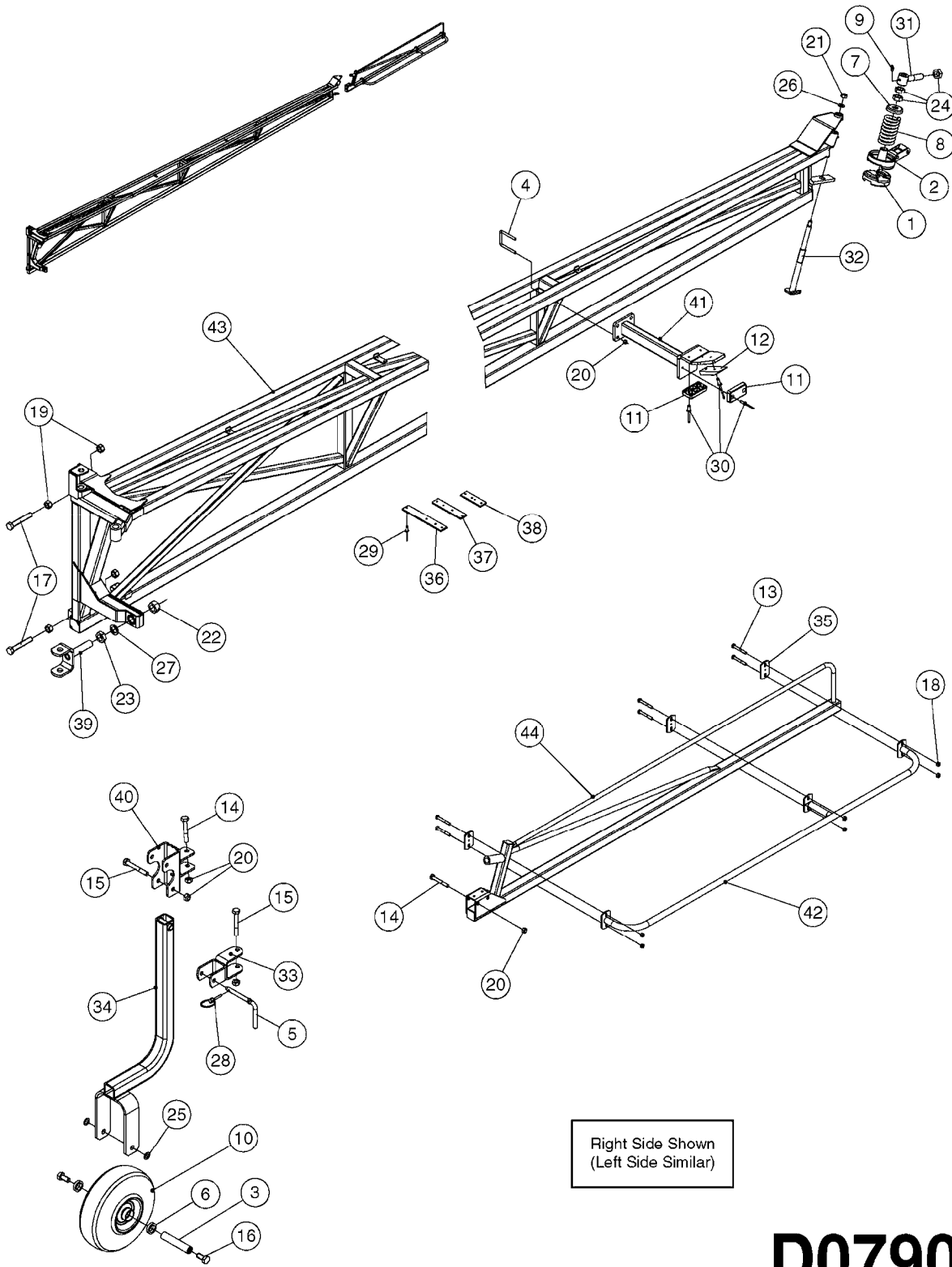


BOOM-FORCE INNER 100' BI-FOLD
D0780-HIN, 01:01:16

Page 1

Date 07.02.2020 10:25

| Pos. | parts-n° | order qty | description |
|------|----------|-----------|--|
| 1 | 146843 | 1 | BOLT U M8 F.60 x 60 |
| 2 | 147130 | 1 | BUSHING D25/20 20MM |
| 3 | 147390 | 1 | BUSHING |
| 4 | 147450 | 1 | PIN D20 X 70 |
| 5 | 147562 | 1 | BUSHING D19.8/17.0 L=15 |
| 6 | 210835 | 1 | BUSHING D28/25 L=25 |
| 7 | 210858 | 1 | BUSHING 034/30 L=20 |
| 8 | 210859 | 1 | BUSH Ø23X20 L20 |
| 9 | 283699 | 1 | GREASE NIPPLE M6X1 |
| 10 | 430940 | 1 | BOLT M20X210 8.8 DEL. |
| 11 | 430941 | 1 | BOLT M20X260 8.8 DEL. |
| 12 | 430970 | 1 | BOLT HEX M20X120 DIN931- DEL |
| 13 | 460143 | 1 | SELF LOCK NUT M8 SST A2 DIN985 |
| 14 | 460585 | 1 | LOCKING NUT M16 DIN985 A2 SS |
| 15 | 460806 | 1 | NUT HEX M20X2.50 LOCK DIN985A2 SS |
| 16 | 461236 | 1 | NUT HEX M24X1.5 |
| 17 | 471128 | 1 | WASHER, M16, Ø30/17.0X 3.0, SS |
| 18 | 471129 | 1 | WASHER, M20, Ø37/21.0X 3.0, SS |
| 19 | 480708 | 1 | PIN D4 X 45 |
| 20 | 480804 | 1 | RIVET Ø4.8x14.5 |
| 21 | 615796 | 1 | PIN D20 X M16 L=119MM |
| 22 | 615820 | 1 | PIN D20 X M16 L=127MM |
| 23 | 616084 | 1 | EYEBOLT LH TRD./ RH WING M24 EYEBOLT WITH L.H. THREADS FOR RIGHT WING |
| 23 | 61009200 | 1 | EYEBOLT LH TRD./ LH WING M24 EYEBOLT WITH L.H. THREADS FOR LEFT WING |
| 24 | 616085 | 1 | EYEBOLT STD. TRD./ LH WING M24 EYEBOLT WITH STD. THREADS FOR LEFT WING |
| 24 | 61009300 | 1 | EYEBOLT STD.TRD. / RH WING M24 EYEBOLT WITH STD. THREADS FOR RIGHT WING |
| 25 | 14008800 | 1 | TURNBUCKLE L=200/M24X1.5 |
| 26 | 14011900 | 1 | PIN M20 L=125/D30 |
| 27 | 17015703 | 1 | FLAT BAR 3/16"X1.25" L=255 MOUNT BRACKET F.T25 PLUMBING |
| 28 | 17015903 | 1 | FLAT BAR 3/16"X1.25" L=220 MOUNT BRACKET F.T25 PLUMBING |
| 29 | 45003000 | 1 | BOLT HEX M16X120 DIN912/DELTA |
| 30 | 61015600 | 1 | BOOM STOP TRANS REST,I.FTZ |
| 31 | 63044400 | 1 | WING INNER 100' FTZ R.H. |
| 31 | 63044500 | 1 | WING INNER 100' FTZ L.H. |
| 32 | 63118500 | 1 | FOLDING ARM 1. FTZ / HAZ. R. RED |
| 32 | 63118800 | 1 | FOLDING ARM 1. FTZ / HAZ. L RED |
| 33 | 78121400 | 1 | DOUBLE CYLINDER D 50/30-300 |
| 34 | 78122400 | 1 | DOUBLE CYLINDER D 40/20-300 |

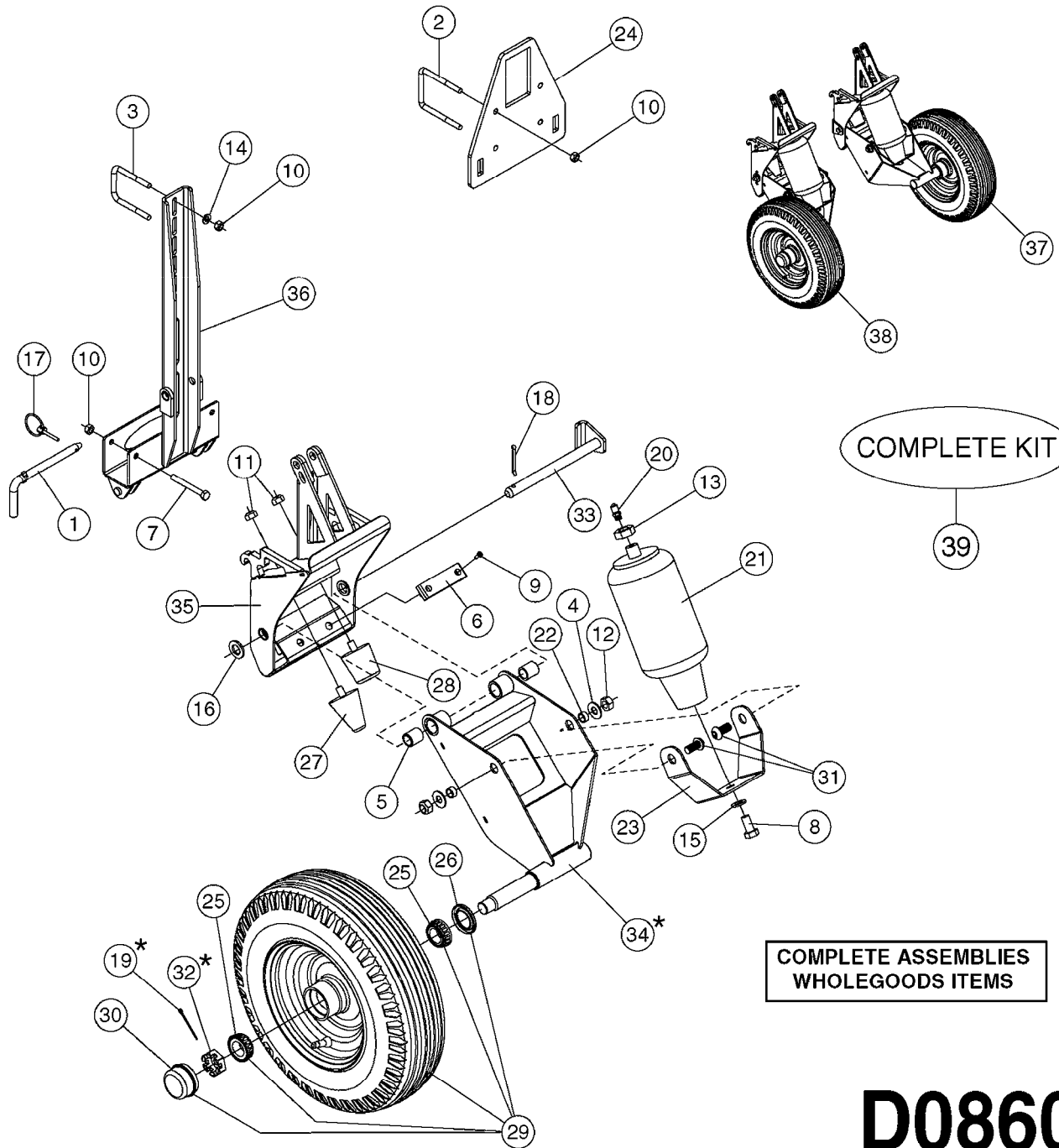


D0790



BOOM-FORCE OUTER 100' BI-FOLD
D0790-HIN, 01:01:16

| Pos. | parts-n° | order qty | description |
|------|----------|-----------|--|
| 1 | 111344 | 1 | CLAW CLUTCH Ø100/Ø20,5 UNDER PART RED |
| 2 | 111640 | 1 | CLAW CLUTCH Ø100 TOP PART RED |
| 3 | 141562 | 1 | FRONTWHEEL AXLE 3 WHEEL |
| 4 | 143161 | 1 | BOLT U M10 40X40 |
| 5 | 144642 | 1 | LOCKING PAWL D10X65MM |
| 6 | 145882 | 1 | BUSHING D30/D21X7 |
| 7 | 166246 | 1 | WASHER CUP D53 F.SPRING |
| 8 | 220673 | 1 | SPRING F.PIVOT 100 X 51 |
| 9 | 283699 | 1 | GREASE NIPPLE M6X1 |
| 10 | 285500 | 1 | WHEEL F.BOOM SUPPORT 85X20 |
| 11 | 334603 | 1 | RUBBER STOP 86X48X15 |
| 12 | 390826 | 1 | SLIDE PAD F.TRANSPORT BKT.CM/D |
| 13 | 421024 | 1 | BOLT HEX 8.8 DEL M8X60 |
| 14 | 421083 | 1 | BOLT HEX 8.8 DEL M10X65 |
| 15 | 421222 | 1 | BOLT HEX 8.8 DEL M10X75 FT |
| 16 | 430522 | 1 | BOLT HEX 8.8 DEL M12X25 FT |
| 17 | 430861 | 1 | BOLT HEX 8.8 DEL M16X100 FT |
| 18 | 460143 | 1 | SELF LOCK NUT M8 SST A2 DIN985 |
| 19 | 460327 | 1 | NUT HEX M16X2 |
| 20 | 460423 | 1 | NUT HEX M10X1.50 LOCK DIN985A2 SS |
| 21 | 460703 | 1 | NUT HEX M12X1.75 LOCK DIN985A2 SS |
| 22 | 460747 | 1 | NUT HEX M24 LOCK |
| 23 | 461244 | 1 | NUT HEX M24X3 JAMB. |
| 24 | 461251 | 1 | NUT HEX M20 X 2.5 JAMB |
| 25 | 470385 | 1 | WASHER D14.8D8.1X2 LOCK GALV. |
| 26 | 471127 | 1 | WASHER, M12, Ø24/13X24X2.5 SS |
| 27 | 471179 | 1 | LOCK WASHER NORDLOCK M24 ELZ |
| 28 | 480244 | 1 | PIN SNAP D4.5 |
| 29 | 480804 | 1 | RIVET Ø4.8x14.5 |
| 30 | 480816 | 1 | RIVET Ø4.8X19.0/Ø14 |
| 31 | 615800 | 1 | LINK EYE BR.WING |
| 32 | 615819 | 1 | PIN |
| 33 | 615873 | 1 | MOUNT BRKT -BOOM WHEEL HAZ |
| 34 | 615874 | 1 | ARM F.BOOM WHEEL HAZ |
| 35 | 16026400 | 1 | FLAT BAR 40X4 F.BRACE |
| 36 | 17016103 | 1 | FLAT BAR 3/16"X1.25" L=195 MOUNT BRACKET F.T25 PLUMBING |
| 37 | 17016303 | 1 | FLAT BAR 3/16"X1.25" L=145 MOUNT BRACKET F.T25 PLUMBING |
| 38 | 17016503 | 1 | FLAT BAR 3/16"X1.25" L=100 MOUNT BRACKET F.T25 PLUMBING |
| 39 | 61008700 | 1 | LINK EYE FORCE |
| 40 | 61012700 | 1 | BRKT-BOOMWHL HAZ88-100,3°R BRACKET FOR RIGHT WING |
| 40 | 61012800 | 1 | BRKT-BOOMWHL HAZ88-100,3°L BRACKET FOR LEFT WING |
| 41 | 61016000 | 1 | BOOMSTOP/SUP HPZ/FTZ L=338 |
| 42 | 63005700 | 1 | BRACE F.BREAKAWAY 80' |
| 43 | 63044600 | 1 | WING OUTER 100' FTZ R.H. |
| 43 | 63044700 | 1 | WING OUTER 100' FTZ L.H. |
| 44 | 63805000 | 1 | BREAKAWAY 110' FORCE |



COMPLETE KIT

COMPLETE ASSEMBLIES
WHOLEGOODS ITEMS

D0860

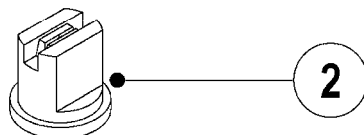
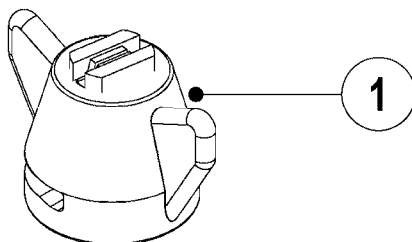


BOOM WHEEL, FTZ, HD, AIR-BAG
D0860-HIN, 01:01:16

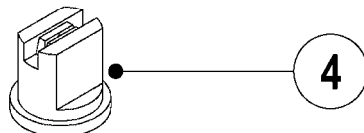
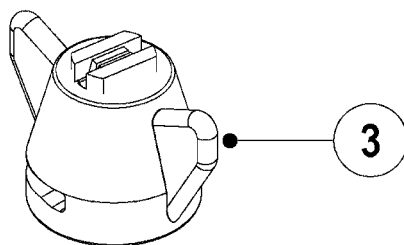
| Pos. | parts-n° | order qty | description |
|------|----------|-----------|---|
| 1 | 142947 | 1 | LOCKING PAWL Ø12 L=108, DELTA |
| 2 | 146843 | 1 | BOLT U M8 F.60 x 60 |
| 3 | 147516 | 1 | U-BOLT M8-50x50 |
| 4 | 165557 | 1 | WASHER D28.0/D12.2X2.0 SS |
| 5 | 333697 | 1 | BUSHING D22/D16x25 |
| 6 | 333956 | 1 | SLIDE SHOE 91X25X10 |
| 7 | 421201 | 1 | BOLT HEX 8.8 DEL M8X70 |
| 8 | 430923 | 1 | BOLT HEX 1/2"-13 L=1" GR.2 SS |
| 9 | 440665 | 1 | SCREW M4.2X16 STAINLESS |
| 10 | 460143 | 1 | SELF LOCK NUT M8 SST A2 DIN985 |
| 11 | 460423 | 1 | NUT HEX M10X1.50 LOCK DIN985A2 SS |
| 12 | 460703 | 1 | NUT HEX M12X1.75 LOCK DIN985A2 SS |
| 13 | 461248 | 1 | NUT HEX JAM 3/4"-16 UNF |
| 14 | 471126 | 1 | WASHER, M8, Ø16/ 8.4X 1.6, SS |
| 15 | 471127 | 1 | WASHER, M12, Ø24/13X24X2.5 SS |
| 16 | 471128 | 1 | WASHER, M16, Ø30/17.0X 3.0, SS |
| 17 | 480244 | 1 | PIN SNAP D4.5 |
| 18 | 480384 | 1 | PIN COTTER 3/16 x 1-1/2" |
| 19 | 10008603 | 1 | COTTER PIN 1/8"X 1-1/2" INCLUDED WITH PIVOT ARM |
| 20 | 10480503 | 1 | TANK VALVE 1/8"NPT |
| 21 | 10492403 | 1 | AIR BAG FOR TWIN SUSPENSION |
| 22 | 14015203 | 1 | BUSH D16 X D12.5 L=8 |
| 23 | 16121603 | 1 | BOOM WHEEL AIR BAG BRACKET |
| 24 | 16134703 | 1 | BOOM WHEEL STORAGE BRACKET |
| 25 | 21002303 | 1 | BEARING, TAPPED, 1" SPINDLE |
| 26 | 21002603 | 1 | SEAL, GREASE, F. BOOM WHEEL |
| 27 | 24003503 | 1 | RUBBER BUFFER D42 X 50 M172 |
| 28 | 24003603 | 1 | RUBBER BUFFER D50 X 50 M174 |
| 29 | 28059803 | 1 | WHEEL & TIRE ASSY 4.8/4.0-8 |
| 30 | 29003603 | 1 | HUB CAP F. 1000LB HUB |
| 31 | 43001003 | 1 | BTTN HD SCREW M12 X 25 SS |
| 32 | 46001803 | 1 | NUT, CASTLE F. HD BOOM WHEEL INCLUDED WITH PIVOT ARM |
| 33 | 61014803 | 1 | BOOM WHEEL PIVOT PIN, PLATED |
| 34 | 63030603 | 1 | BOOM WHEEL PIVOT ARM RH INCLUDES CASTLE NUT & COTTER PIN |
| 34 | 63030703 | 1 | BOOM WHEEL PIVOT ARM LH INCLUDES CASTLE NUT & COTTER PIN |
| 35 | 63030803 | 1 | BOOM WHEEL MOUNT CRADLE |
| 36 | 63033103 | 1 | BOOM WHEEL MOUNT |
| 37 | 70088103 | 1 | BOOM WHEEL ASSEMBLY, LEFT |
| 38 | 70088203 | 1 | BOOM WHEEL ASSEMBLY, RIGHT |
| 39 | 83353003 | 1 | BOOM WHEEL KIT, FTZ, HD, AIR-BAG COMPLETE PAIR WITH HARDWARE |



SYNTAL



CERAMIC



D1000

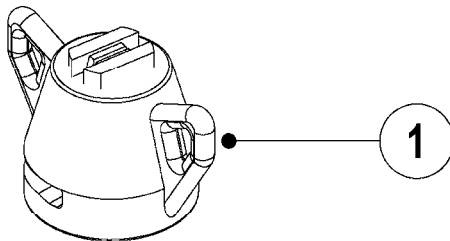


BOOM-NOZZLES 110° FLAT FAN ISO
D1000-HIN, 01:01:16

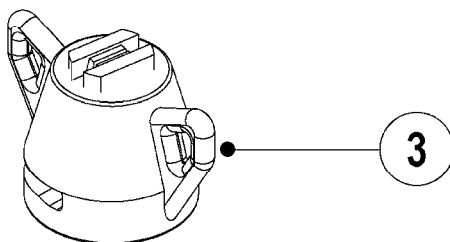
| Pos. | parts-n° | order qty | description |
|------|----------|-----------|--------------------------------|
| 1 | 371764 | 1 | NOZZLE ISO CT F-01-110 ORANGE |
| 1 | 371765 | 1 | NOZZLE ISO CT F-015-110 GREEN |
| 1 | 371766 | 1 | NOZZLE ISO CT F-02-110 YELLOW |
| 1 | 371767 | 1 | NOZZLE ISO CT F-03-110 BLUE |
| 1 | 371768 | 1 | NOZZLE ISO CT F-04-110 RED |
| 1 | 371769 | 1 | NOZZLE ISO CT F-05-110 BROWN |
| 1 | 371770 | 1 | NOZZLE ISO CT F-06-110 GREY |
| 1 | 371771 | 1 | NOZZLE ISO CT F-08-110 WHITE |
| 1 | 371950 | 1 | NOZZLE ISO CT F-025-110 LILAC |
| 1 | 371964 | 1 | NOZZLE ISO CT F-075-110 PINK |
| 1 | 371970 | 1 | NOZZLE ISO CT F-10-110 LT BLUE |
| 2 | 371706 | 1 | NOZZLE ISO F-01-110 ORANGE |
| 2 | 371707 | 1 | NOZZLE ISO F-015-110 GREEN |
| 2 | 371708 | 1 | NOZZLE ISO F-02-110 YELLOW |
| 2 | 371709 | 1 | NOZZLE ISO F-03-110 BLUE |
| 2 | 371710 | 1 | NOZZLE ISO F-04-110 RED |
| 2 | 371711 | 1 | NOZZLE ISO F-05-110 BROWN |
| 2 | 371712 | 1 | NOZZLE ISO F-06-110 GREY |
| 2 | 371713 | 1 | NOZZLE ISO F-08-110 WHITE |
| 2 | 371946 | 1 | NOZZLE ISO F-025-110 LILAC |
| 2 | 371963 | 1 | NOZZLE ISO F-075-110 PINK |
| 2 | 371966 | 1 | NOZZLE ISO F-10-110 LT BLUE |
| 3 | 371772 | 1 | NOZZLE ISO CT F-015-110C GREEN |
| 3 | 371773 | 1 | NOZZLE ISO CT F-02-110C YELLOW |
| 3 | 371774 | 1 | NOZZLE ISO CT F-03-110C BLUE |
| 3 | 371775 | 1 | NOZZLE ISO CT F-04-110C RED |
| 3 | 371776 | 1 | NOZZLE ISO CT F-05-110C BROWN |
| 3 | 371777 | 1 | NOZZLE ISO CT F-06-110C GREY |
| 4 | 371738 | 1 | NOZZLE ISO F-015-110C GREEN |
| 4 | 371739 | 1 | NOZZLE ISO F-02-110C YELLOW |
| 4 | 371740 | 1 | NOZZLE ISO F-03-110C BLUE |
| 4 | 371741 | 1 | NOZZLE ISO F-04-110C RED |
| 4 | 371742 | 1 | NOZZLE ISO F-05-110C BROWN |
| 4 | 371743 | 1 | NOZZLE ISO F-06-110C GREY |



SYNTAL



CERAMIC



D1010



BOOM-NOZZLES 110° LOWDRIFT ISO
D1010-HIN, 01:01:16

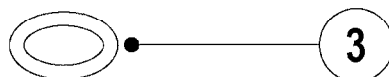
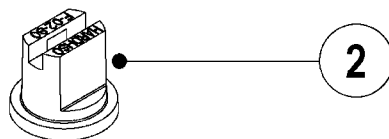
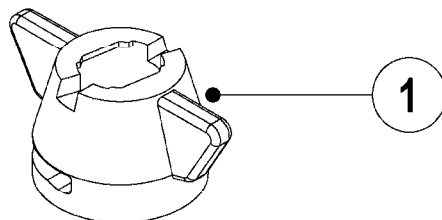
Page 1

Date 07.02.2020 10:25

| Pos. | parts-n° | order qty | description |
|------|----------|-----------|--------------------------------|
| 1 | 371837 | 1 | NOZZLE ISO CT LD-01-110 ORANGE |
| 1 | 371838 | 1 | NOZZLE ISO CT LD-015-110 GREEN |
| 1 | 371839 | 1 | NOZZLE ISO CT LD-02-110 YELLOW |
| 1 | 371840 | 1 | NOZZLE ISO CT LD-03-110 BLUE |
| 1 | 371841 | 1 | NOZZLE ISO CT LD-04-110 RED |
| 1 | 371894 | 1 | NOZZLE ISO CT LD-05-110 BROWN |
| 1 | 371958 | 1 | NOZZLE ISO CT LD-025-110 LILAC |
| 2 | 371817 | 1 | NOZZLE ISO LD-01-110 ORANGE |
| 2 | 371818 | 1 | NOZZLE ISO LD-015-110 GREEN |
| 2 | 371819 | 1 | NOZZLE ISO LD-02-110 YELLOW |
| 2 | 371820 | 1 | NOZZLE ISO LD-03-110 BLUE |
| 2 | 371821 | 1 | NOZZLE ISO LD-04-110 RED |
| 2 | 371893 | 1 | NOZZLE ISO LD-05-110 BROWN |
| 2 | 371957 | 1 | NOZZLE ISO LD-025-110 LILAC |
| 3 | 371842 | 1 | NOZZLE ISO CT LD-01-110C ORANG |
| 3 | 371843 | 1 | NOZZLE ISO CT LD-015-110C GRN |
| 3 | 371844 | 1 | NOZZLE ISO CT LD-02-110C YELLO |
| 3 | 371845 | 1 | NOZZLE ISO CT LD-03-110C BLUE |
| 3 | 371846 | 1 | NOZZLE ISO CT LD-04-110C RED |
| 3 | 371897 | 1 | NOZZLE ISO CT LD-05-110C BROWN |
| 4 | 371822 | 1 | NOZZLE ISO LD-01-110C ORANGE |
| 4 | 371823 | 1 | NOZZLE ISO LD-015-110C GREEN |
| 4 | 371824 | 1 | NOZZLE ISO LD-02-110C YELLOW |
| 4 | 371825 | 1 | NOZZLE ISO LD-03-110C BLUE |
| 4 | 371826 | 1 | NOZZLE ISO LD-04-110C RED |
| 4 | 371896 | 1 | NOZZLE ISO LD-05-110C BROWN |



SYNTAL



D1020

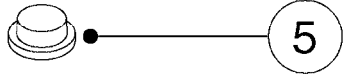


BOOM-NOZZLES 80° FLAT FAN ISO
D1020-HIN, 01:01:16

Page 1

Date 07.02.2020 10:25

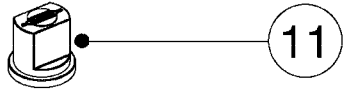
| Pos. | parts-n° | order qty | description |
|------|----------|-----------|--------------------------------|
| 1 | 334083 | 1 | SNAP-FIT NOZZLE HOLDER SS BLCK |
| 2 | 371931 | 1 | SYNTAL ISO F-01-80 TIP ORNG |
| 2 | 371932 | 1 | SYNTAL ISO F-015-80 TIP GREEN |
| 2 | 371933 | 1 | SYNTAL ISO F-02-80 TIP YELLOW |
| 2 | 371934 | 1 | SYNTAL ISO F-03-80 TIP BLUE |
| 3 | 10423503 | 1 | O-RING 9.12x3.53 NITRIL |



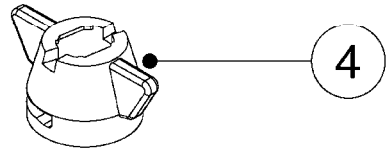
5



14



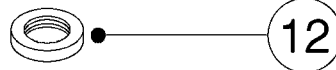
11



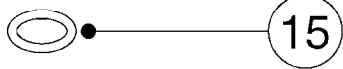
4



13



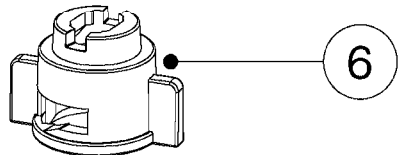
12



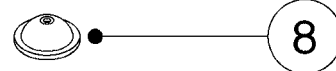
15



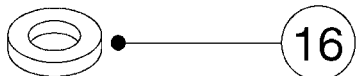
10



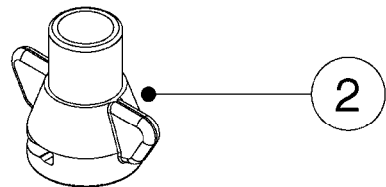
6



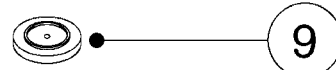
8



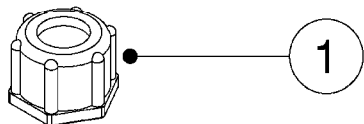
16



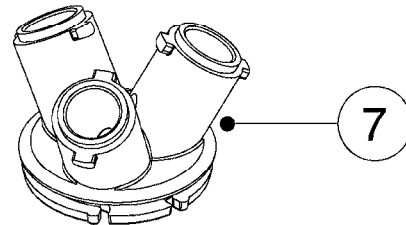
2



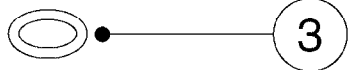
9



1



7



3

D1030

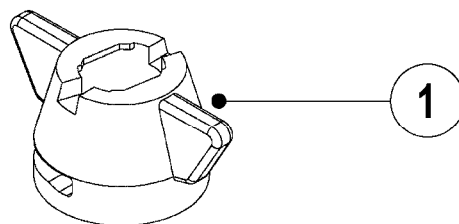


BOOM-NOZZLE CAPS AND FILTERS
D1030-HIN, 28:11:17

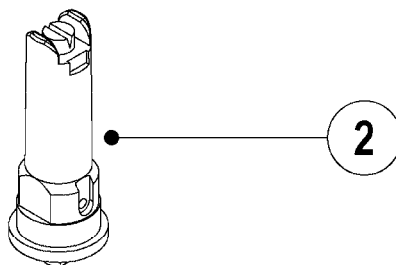
Page 1

Date 07.02.2020 10:25

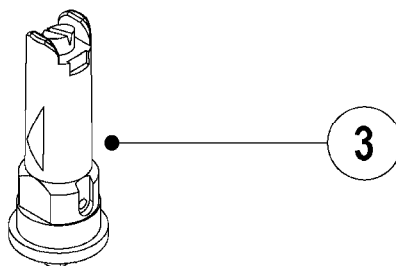
| Pos. | parts-n° | order qty | description |
|------|----------|-----------|---------------------------------------|
| 1 | 320187 | 1 | FITT.DK CAP 3/8" BSP BLACK |
| 1 | 321517 | 1 | FITT.DK CAP 3/8" BSP WHITE |
| | | | ALWAYS USE WITH ISO AND INJET NOZZLES |
| 1 | 321797 | 1 | FITT.DK CAP 3/8' BSP BLUE |
| 1 | 321801 | 1 | FITT.DK CAP 3/8' BSP GREEN |
| 1 | 321812 | 1 | FITT.DK CAP 3/8' BSP RED |
| 1 | 321823 | 1 | FITT.DK CAP 3/8' BSP ORANGE |
| 1 | 321834 | 1 | FITT.DK CAP 3/8' BSP YELLOW |
| 2 | 322068 | 1 | SNAP-FIT ADAPTER THREAD. HARDI |
| 3 | 330013 | 1 | O-RING 2.5 X 10 PUR |
| 4 | 334083 | 1 | SNAP-FIT NOZZLE HOLDER SS BLCK |
| 5 | 334102 | 1 | BLANK F.NOZZLE |
| 6 | 334862 | 1 | NOZZLE CAP TJBLACK F.ISO/INJET |
| 7 | 334926 | 1 | SNAP-FIT TURN PLATE F TRIPLET |
| 8 | 370016 | 1 | NOZZLE CONE JET 1553-08 |
| 8 | 370027 | 1 | NOZZLE CONE JET 1553-10 |
| 8 | 370031 | 1 | NOZZLE CONE JET 1553-12 |
| 8 | 370042 | 1 | NOZZLE CONE JET 1553-14 |
| 8 | 370053 | 1 | NOZZLE CONE JET 1553-16 |
| 8 | 370064 | 1 | NOZZLE CONE JET 1553-18 |
| 8 | 370075 | 1 | NOZZLE CONE JET 1553-20 |
| 8 | 370086 | 1 | NOZZLE CONE JET 1553-22 |
| 8 | 370097 | 1 | NOZZLE CONE JET 1553-24 |
| 8 | 370101 | 1 | NOZZLE CONE JET 1553-30 |
| 8 | 370112 | 1 | NOZZLE CONE JET 1553-35 |
| 8 | 370123 | 1 | NOZZLE CONE JET 1553-40 |
| 9 | 370134 | 1 | NOZZLE SWIRL 1554-GREY |
| 9 | 370145 | 1 | NOZZLE SWIRL 1554-BLACK |
| 9 | 370156 | 1 | NOZZLE SWIRL 1554-BLUE |
| 9 | 370167 | 1 | NOZZLE SWIRL 1554-1.3 WHITE |
| 10 | 371551 | 1 | NOZZ LRG DROP FLAT SPRAY SINGL |
| 11 | 372140 | 1 | HARDI ISO BLIND CAP |
| 12 | 390639 | 1 | O-RING F.NOZZLE FILTER |
| 13 | 614366 | 1 | FILTER 50 MESH F.NOZZLE BLUE |
| 13 | 614367 | 1 | FILTER 80 MESH F.NOZZLE RED |
| 13 | 614368 | 1 | FILTER 100 MESH F.NOZZLE YEL. |
| 14 | 725042 | 1 | SCREEN 80 MESH W.GASKET, RED |
| 14 | 725043 | 1 | SCREEN 50 MESH W.GASKET,BLUE |
| 14 | 725044 | 1 | SCREEN 100 MESH W.GASKET,YELLO |
| 15 | 10423503 | 1 | O-RING 9.12x3.53 NITRIL |
| 16 | 24022901 | 1 | GASKET D10X19 EP 3.2 |



INJET Nozzle SYNTAL



B-JET Nozzle SYNTAL



D1040

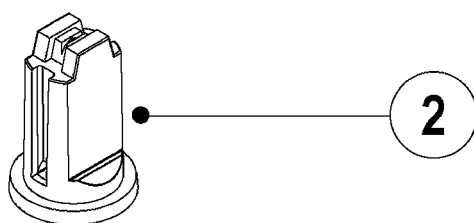
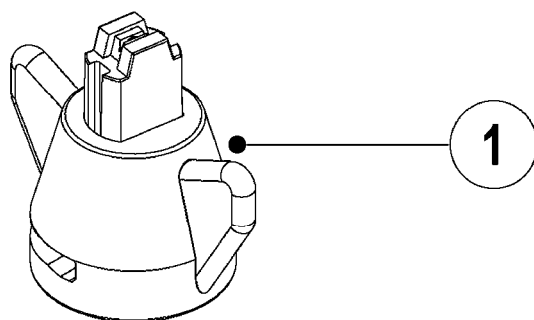


BOOM-NOZZLES INJET
D1040-HIN, 01:01:16

Page 1

Date 07.02.2020 10:25

| Pos. | parts-n° | order qty | description |
|------|----------|-----------|--------------------------------|
| 1 | 334083 | 1 | SNAP-FIT NOZZLE HOLDER SS BLCK |
| 2 | 371872 | 1 | NOZZLE INJET 015 GREEN SINGLE |
| 2 | 371873 | 1 | NOZZLE INJET 02 YELLOW SINGLE |
| 2 | 371874 | 1 | NOZZLE INJET 025 LILAC SINGLE |
| 2 | 371875 | 1 | NOZZLE INJET 03 BLUE SINGLE |
| 2 | 371876 | 1 | NOZZLE INJET 04 RED SINGLE |
| 2 | 371926 | 1 | NOZZLE INJET 01 ORANGE SINGLE |
| 2 | 371927 | 1 | NOZZLE INJET 05 BROWN SINGLE |
| 2 | 371928 | 1 | NOZZLE INJET 06 GREY SINGLE |
| 2 | 371929 | 1 | NOZZLE INJET 08 WHITE SINGLE |
| 3 | 371870 | 1 | NOZZLE B-JET 03 BLUE |
| 3 | 371871 | 1 | NOZZLE B-JET 04 RED |
| 3 | 371877 | 1 | NOZZLE B-JET 025 LILAC |
| 3 | 371930 | 1 | NOZZLE B-JET 02 YELLOW |



D1050

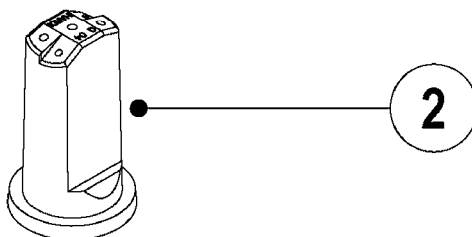
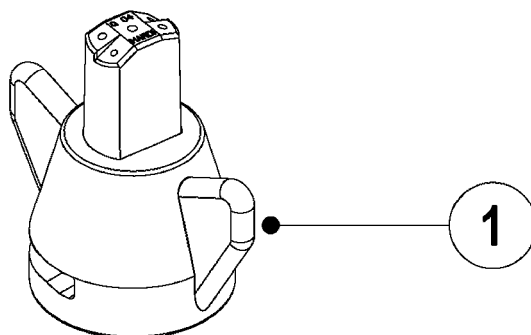


BOOM-NOZZLES MINIDRIFT
D1050-HIN, 01:01:16

Page 1

Date 07.02.2020 10:25

| Pos. | parts-n° | order qty | description |
|------|----------|-----------|--------------------------------|
| 1 | 372121 | 1 | NOZZLE ISO CT MD-015-110 GREEN |
| 1 | 372122 | 1 | NOZZLE ISO CT MD-02-110 YELLOW |
| 1 | 372123 | 1 | NOZZLE ISO CT MD-025-110 LILAC |
| 1 | 372124 | 1 | NOZZLE ISO CT MD-03-110 BLUE |
| 1 | 372125 | 1 | NOZZLE ISO CT MD-04-110 RED |
| 1 | 372126 | 1 | NOZZLE ISO CT MD-05-110 BROWN |
| 2 | 372111 | 1 | NOZZLE ISO MD-015-110 GREEN |
| 2 | 372112 | 1 | NOZZLE ISO MD-02-110 YELLOW |
| 2 | 372113 | 1 | NOZZLE ISO MD-025-110 LILAC |
| 2 | 372114 | 1 | NOZZLE ISO MD-03-110 BLUE |
| 2 | 372115 | 1 | NOZZLE ISO MD-04-110 RED |
| 2 | 372116 | 1 | NOZZLE ISO MD-05-110 BROWN |



D1060

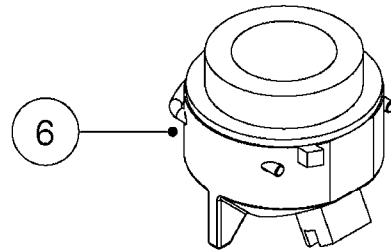
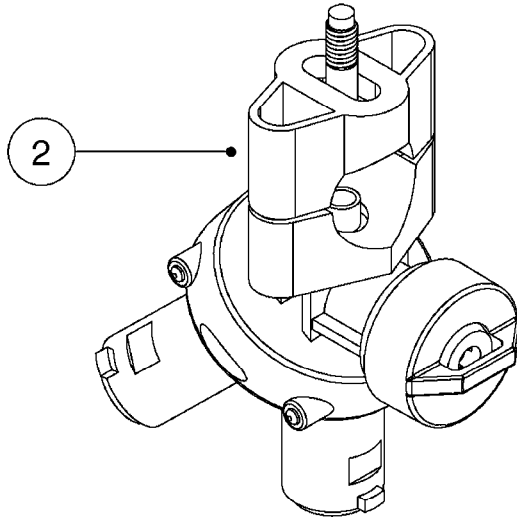


BOOM-NOZZLES QUINTASTREAM
D1060-HIN, 01:01:16

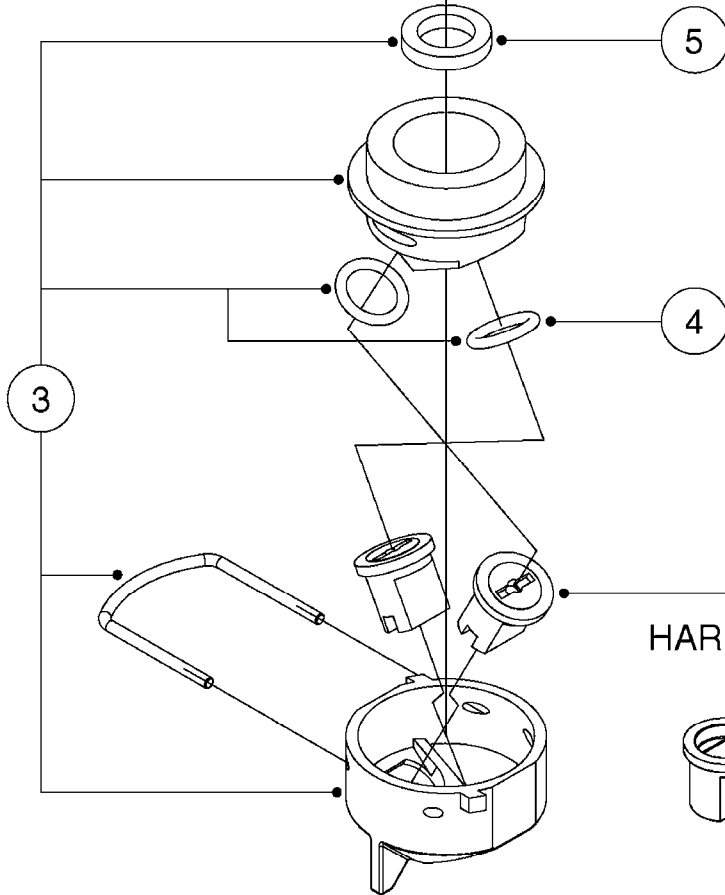
Page 1

Date 07.02.2020 10:25

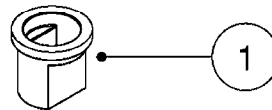
| Pos. | parts-n° | order qty | description |
|------|----------|-----------|-------------------------------|
| 1 | 372011 | 1 | NOZZLE ISO QS-015-5H GREEN |
| 1 | 372012 | 1 | NOZZLE ISO QS-02-5H YELLOW |
| 1 | 372013 | 1 | NOZZLE ISO QS-03-5H BLUE |
| 1 | 372014 | 1 | NOZZLE ISO QS-04-5H RED |
| 1 | 372015 | 1 | NOZZLE ISO QS-05-5H BROWN |
| 1 | 372016 | 1 | NOZZLE ISO QS-06-5H GREY |
| 1 | 372017 | 1 | NOZZLE ISO QS-08-5H WHITE |
| 1 | 372018 | 1 | NOZZLE ISO QS-10-5H LT. BLUE |
| 1 | 372019 | 1 | NOZZLE ISO QS-15-5H LT. GREEN |
| 2 | 372002 | 1 | ISO QNTSTRM 015 S-GREEN |
| 2 | 372003 | 1 | ISO QNTSTRM 02 S-YELLOW |
| 2 | 372004 | 1 | ISO QNTSTRM 03 S-BLUE |
| 2 | 372005 | 1 | ISO QNTSTRM 04 S-RED |
| 2 | 372006 | 1 | ISO QNTSTRM 05 S-BROWN |
| 2 | 372007 | 1 | ISO QNTSTRM 06 S-GREY |
| 2 | 372008 | 1 | ISO QNTSTRM 08 S-WHITE |
| 2 | 372009 | 1 | ISO QNTSTRM 10 S-LT.BLU |
| 2 | 372010 | 1 | ISO QNTSTRM 15 S-LT.GRN |



COMPLETE ASSEMBLY
WITH NOZZLES



REFER TO
HARDI® NOZZLE CATALOG



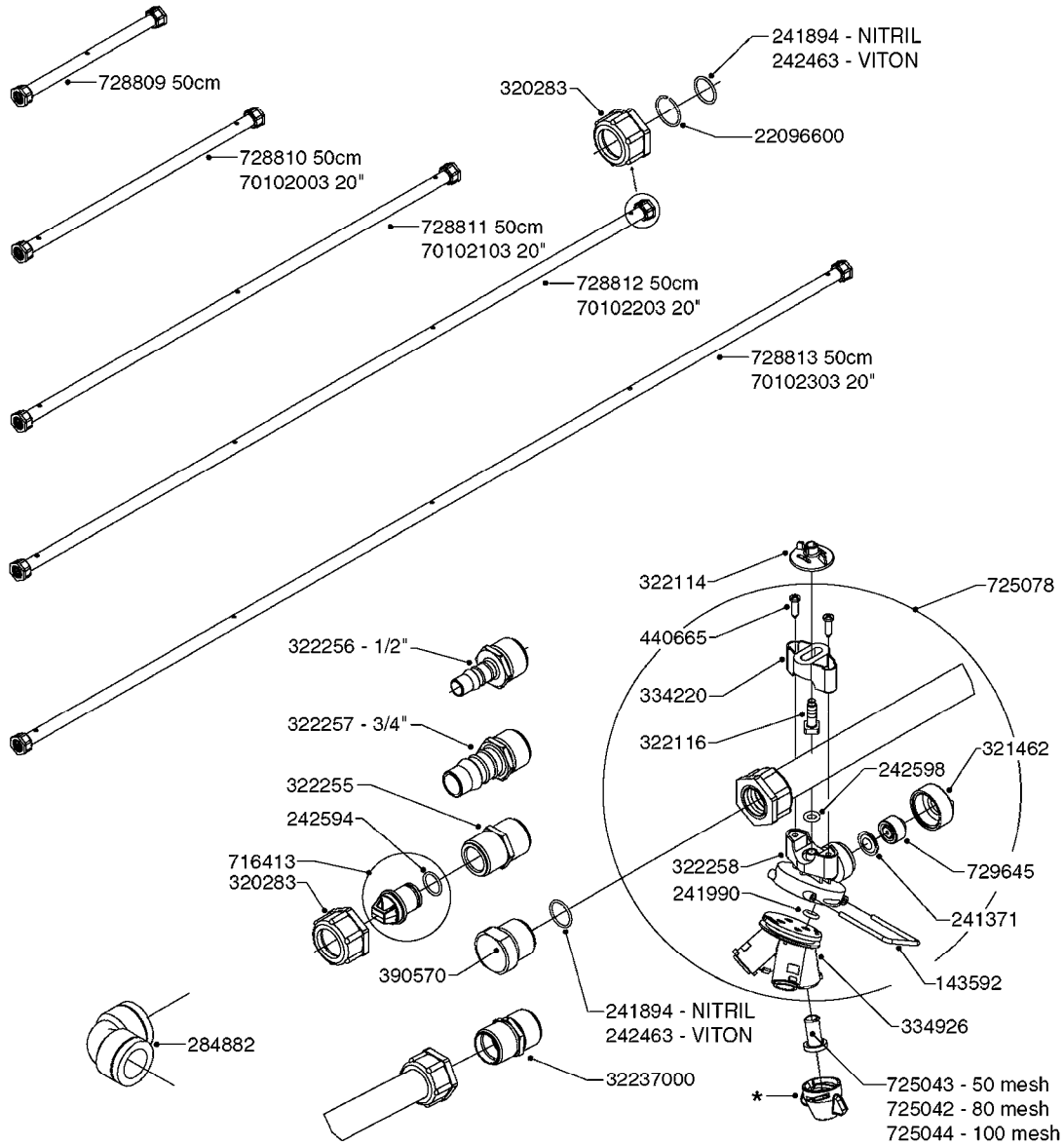
D1100



DOUBLE NOZZLE HOLDER-SNAP FIT
D1100-HIN, 01:01:16

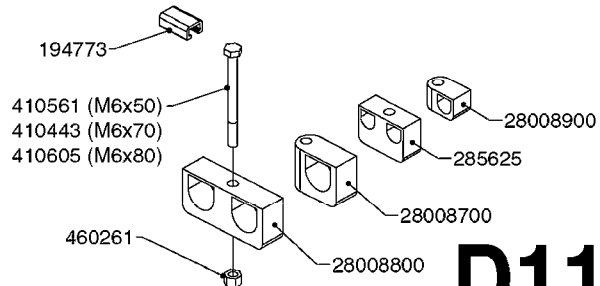
Page 1
Date 07.02.2020 10:25

| Pos. | parts-n° | order qty | description |
|------|----------|-----------|--------------------------------|
| 1 | 372140 | 1 | HARDI ISO BLIND CAP |
| 2 | 725078 | 1 | SNAP-FIT TRIPLET W/O NOZZ HOLD |
| 3 | 28032503 | 1 | DOUBLE NOZZLE HOLDER LD ISO |
| 4 | 28040103 | 1 | O-RING F.DOUBLE NOZZLE HOLDER |
| 5 | 28089103 | 1 | GASKET F.DOUBLE NOZZLE HOLDER |
| 6 | 70056803 | 1 | DOUBLE NOZZLE CAP ORANGE LD 01 |
| 6 | 70056903 | 1 | DOUBLE NOZZLE CAP GREEN LD 015 |
| 6 | 70057003 | 1 | DOUBLE NOZZLE CAP YELLOW LD 02 |
| 6 | 70057103 | 1 | DOUBLE NOZZLE CAP LILAC LD 025 |
| 6 | 70057203 | 1 | DOUBLE NOZZLE CAP BLUE LD 03 |
| 6 | 70057303 | 1 | DOUBLE NOZZLE CAP RED LD 04 |
| 6 | 70057403 | 1 | DOUBLE NOZZLE CAP BROWN LD 05 |



STAINLESS STEEL FEED TUBES

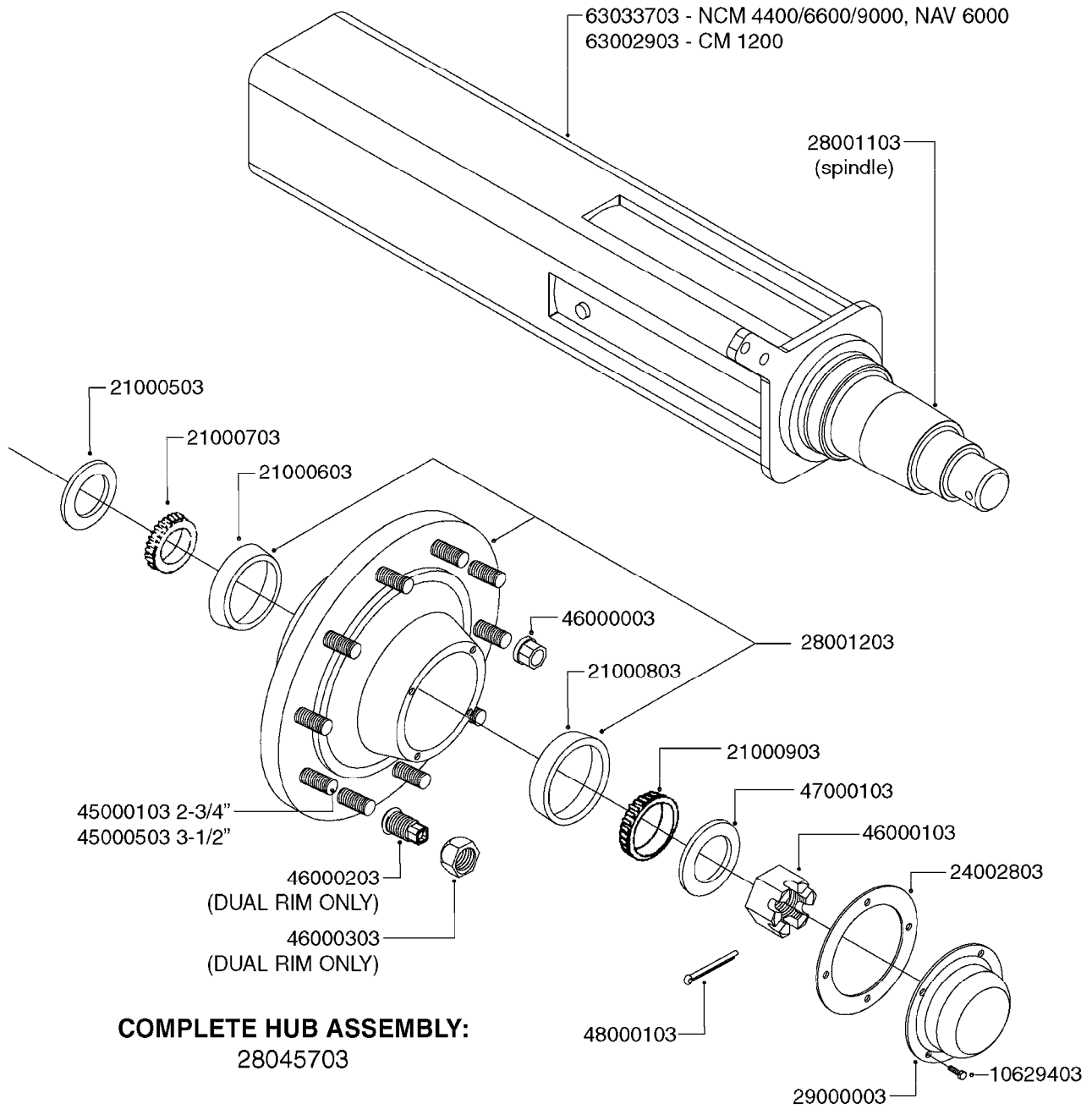
| | |
|--------|------------------|
| 731824 | SS feed tube 14" |
| 731825 | SS feed tube 24" |
| 731826 | SS feed tube 43" |
| 731429 | SS feed tube 63" |
| 731430 | SS feed tube 83" |



D1120



| parts-n° | order qty | description |
|----------|-----------|-----------------------------------|
| 143592 | 1 | LOCK CLAMP FOR TRIPLET |
| 194773 | 1 | C CHANNEL 14.5X8,8X3,5X2 L=24 |
| 241371 | 1 | DIAPHRAGM F.NO-DRIP,VULC |
| 241894 | 1 | O-RING D17.1 X 1.6 70SH NITR |
| 241990 | 1 | O-RING D9.3 X 2.4 VITON |
| 242463 | 1 | O-RING D17.17 X1.78 VITON |
| 242594 | 1 | O-RING D14 X 1.78 SCH.70-EPDM |
| 242598 | 1 | O-RING D7.0 X 2.5 NITRIL |
| 284882 | 1 | FITT.DK EL 3/4'X3/4' FEMALE 90 |
| 285625 | 1 | CLAMP FOR CABLE D12MM |
| 320283 | 1 | FITT.DK NUT 3/4"BSP |
| 321462 | 1 | CAP F.NO-DRIP ASSY. |
| 322114 | 1 | NUT PLASTIC F.NOZZ.H |
| 322116 | 1 | BOLT PLASTIC F.NOZZ.H. |
| 322255 | 1 | FITT.DK NIPPLE 3/4"X 3/4" |
| 322256 | 1 | FITT.DK 1/2'F.SS TUBE |
| 322257 | 1 | FITT.DK 3/4"F.SS TUBE |
| 322258 | 1 | HOUSING F.TRIPLET |
| 334220 | 1 | YOKE, UPPER NOZZLE BODY |
| 334926 | 1 | SNAP-FIT TURN PLATE F TRIPLET |
| 390570 | 1 | FITT.DK PLUG F.SS TUBE |
| 410443 | 1 | BOLT HEX 8.8 DEL M6X70 |
| 410561 | 1 | BOLT HEX 8.8 DEL M6X50 FT |
| 410605 | 1 | BOLT HEX 8.8 DEL M6X80 |
| 440665 | 1 | SCREW M4.2X16 STAINLESS |
| 460261 | 1 | NUT HEX M6X1.00 LOCK DIN985 A2 SS |
| 716413 | 1 | FITT.DK PLUG ASSY. F.NOZ TUBE |
| 725042 | 1 | SCREEN 80 MESH W.GASKET, RED |
| 725043 | 1 | SCREEN 50 MESH W.GASKET,BLUE |
| 725044 | 1 | SCREEN 100 MESH W.GASKET,YELLO |
| 725078 | 1 | SNAP-FIT TRIPLET W/O NOZZ HOLD |
| 728809 | 1 | NOZZLE TUBE SS 1 HOLE |
| 728810 | 1 | NOZZLE TUBE SS 2 HOLE 500MM |
| 728811 | 1 | NOZZLE TUBE SS 3 HOLE 500MM |
| 728812 | 1 | NOZZLE TUBE SS 4 HOLE 500MM |
| 728813 | 1 | NOZZLE TUBE SS 5 HOLE 500MM |
| 729645 | 1 | NON-DRIP SPRING ASSY.GREEN 10 |
| 731429 | 1 | FEED TUBE SS L=1610mm |
| 731430 | 1 | FEED TUBE SS L=2110mm |
| 731824 | 1 | FEED TUBE SS L=360mm |
| 731825 | 1 | FEED TUBE SS L=610mm |
| 731826 | 1 | FEED TUBE SS L=1110mm |
| 22096600 | 1 | SPRING RING Ø20X1.75 SST |
| 28008700 | 1 | BOOM TUBE BRACKET |
| 28008800 | 1 | PIPE HOLDER DOUBLE FOR D22 |
| 28008900 | 1 | PIPE HOLDER SGL. |
| 32237000 | 1 | FITT.DK NIPPLE 3/4"X3/4" |
| 70102003 | 1 | NOZZLE TUBE SS 2 HOLE 20" |
| 70102103 | 1 | NOZZLE TUBE SS 3 HOLE 20" |
| 70102203 | 1 | NOZZLE TUBE SS 4 HOLE 20" |
| 70102303 | 1 | NOZZLE TUBE SS 5 HOLE 20" |



COMPLETE HUB ASSEMBLY:
28045703

COMPLETE ASSEMBLIES
WHOLEGOODS ITEMS

E0790

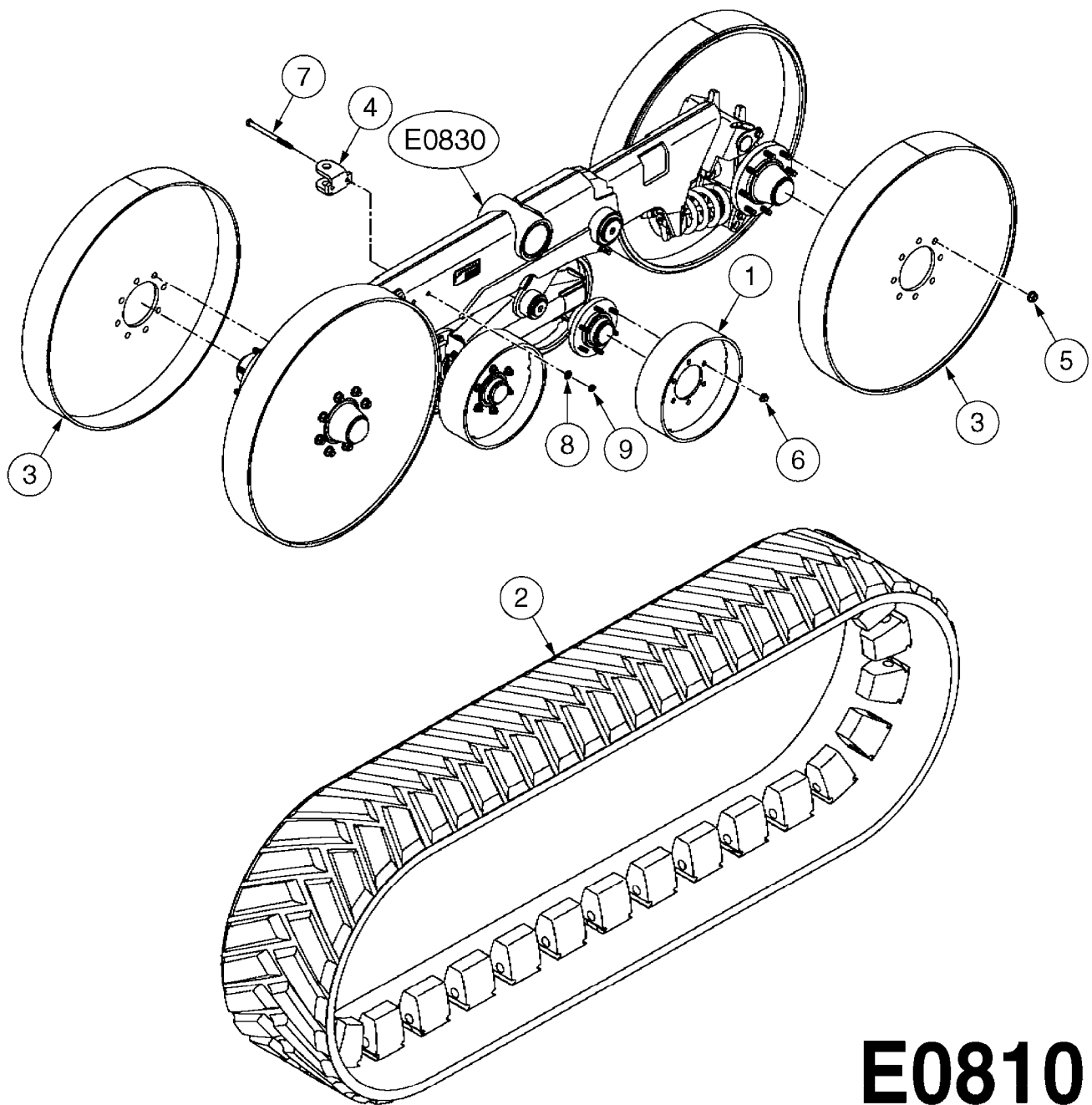


HUB ASSEMBLY F.4-1/2" SPINDLE
E0790-HIN, 06:07:17

Page 1

Date 07.02.2020 10:25

| parts-n° | order qty | description |
|----------|-----------|--------------------------------|
| 10629403 | 1 | BOLT HEX 5/16 NC GR.2 00.50" |
| 21000503 | 1 | SEAL,WHEEL CR43771 |
| 21000603 | 1 | RACE, BEARING 3.5/1.5 |
| 21000703 | 1 | BEARING, TAPPERED 3.5433/1.575 |
| 21000803 | 1 | RACE, TAPERED BEARING |
| 21000903 | 1 | BEARING, TAPPERED, 2.75/1.510 |
| 24002803 | 1 | GASKET F. HUB 4.5" HUB ASSY |
| 28001103 | 1 | SPINDLE 4.5"x 23" 20000LB |
| 28001203 | 1 | HUB, 20000LB W. BRG RACES |
| 28045703 | 1 | HUB ASSY 10-13.19-11.02 25000# |
| 29000003 | 1 | HUB CAP F. 881(20000LB) HUB |
| 45000103 | 1 | BOLT, WHEEL STUD 3/4-16X2 3/4 |
| 45000503 | 1 | BOLT, WHEEL STUD 3/4-16X3 1/2 |
| 46000003 | 1 | NUT HEX NF 3/4" FLANGED F.HUB |
| 46000103 | 1 | NUT, CASTLE, SPINDLE 2-12 UNF |
| 46000203 | 1 | NUT, BUD WHEEL, INNER, RH |
| 46000303 | 1 | NUT, BUD WHEEL, OUTER, RH |
| 47000103 | 1 | WASHER, SPNDL 4.5" 2.06x4 .25T |
| 48000103 | 1 | PIN, COTTER 5/16" X 5.25" |
| 63002903 | 1 | AXLE INSERT,72"-90"SUS CM 1200 |
| 63033703 | 1 | AXLE INSERT NCM 44/66/9000 |



E0810



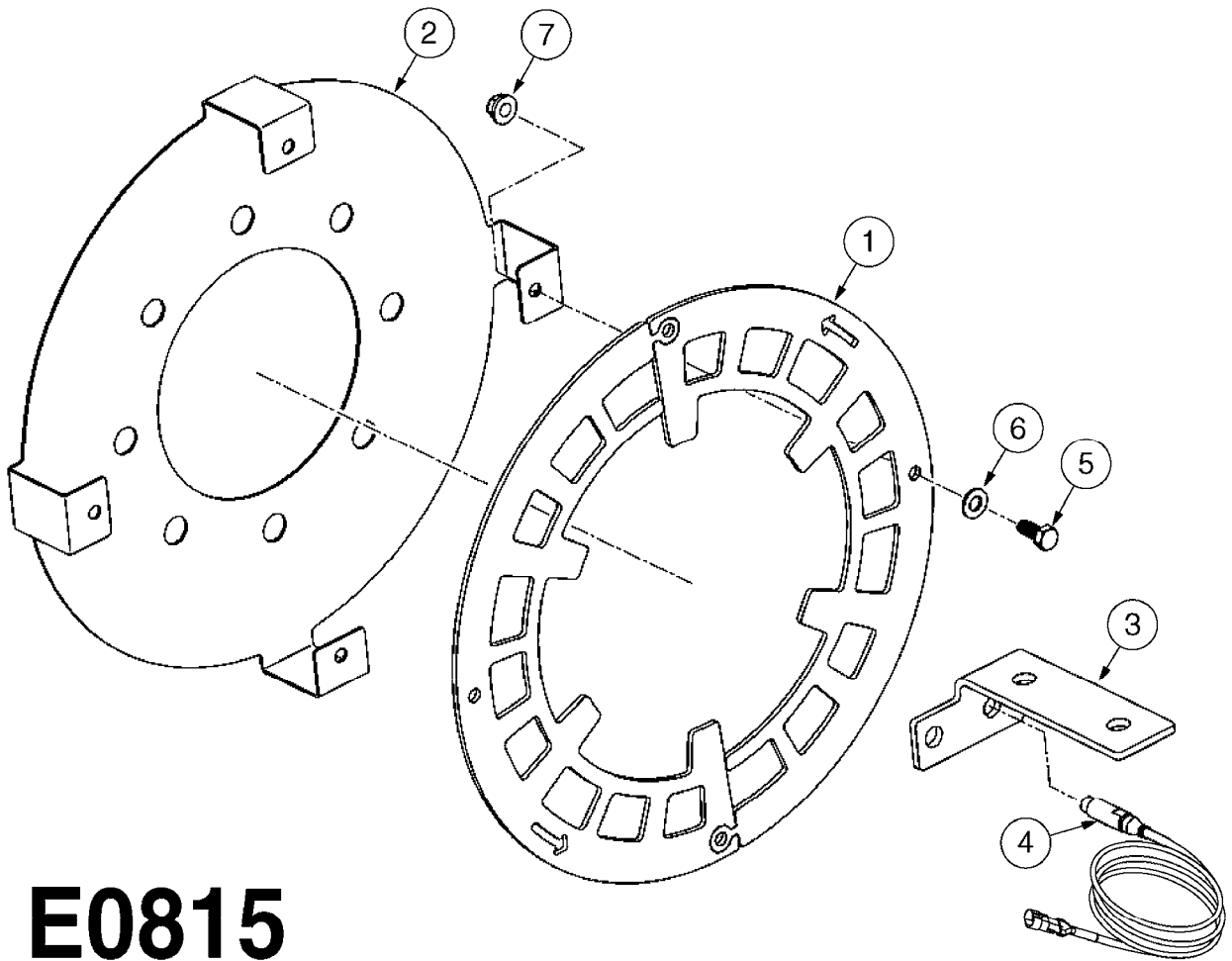
CAMOPLAST TRACK 40 SERIES
E0810-HIN, 01:01:16

Page 1
Date 07.02.2020 10:25

| Pos. | parts-n° | order qty | description |
|------|----------|-----------|-------------------------------|
| 1 | 28064103 | 1 | WHEEL, MID-ROLLER (1401,1402) |
| 1 | 28064203 | 1 | WHEEL, MID-ROLLER(45-1801) |
| 2 | 28074703 | 1 | TRACK LH 249" X 14" (40-1402) |
| 2 | 28074803 | 1 | TRACK RH 249" X 14" (40-1402) |
| 2 | 28075103 | 1 | TRACK 249" X 18" (45-1801) |
| 3 | 28075203 | 1 | WHEEL, IDLER (40-1402) |
| 3 | 28075303 | 1 | WHEEL, IDLER (45-1801) |
| 4 | 28075403 | 1 | BRACE BRACKET |
| 5 | 28082103 | 1 | LUG NUT SET (8) IDLER |
| 6 | 28083003 | 1 | LUG NUT SET (6) MID-ROLLER |
| 7 | 28083203 | 1 | BOLT HEX 7"X1/2"-20 UNF GR 8 |
| 8 | 28083303 | 1 | WASHER 1/2" |
| 9 | 28083403 | 1 | LOCK NUT 1/2"-20 UNF |



CAMOPLAST SPEED SENSOR
E0815-HIN, 21:08:19



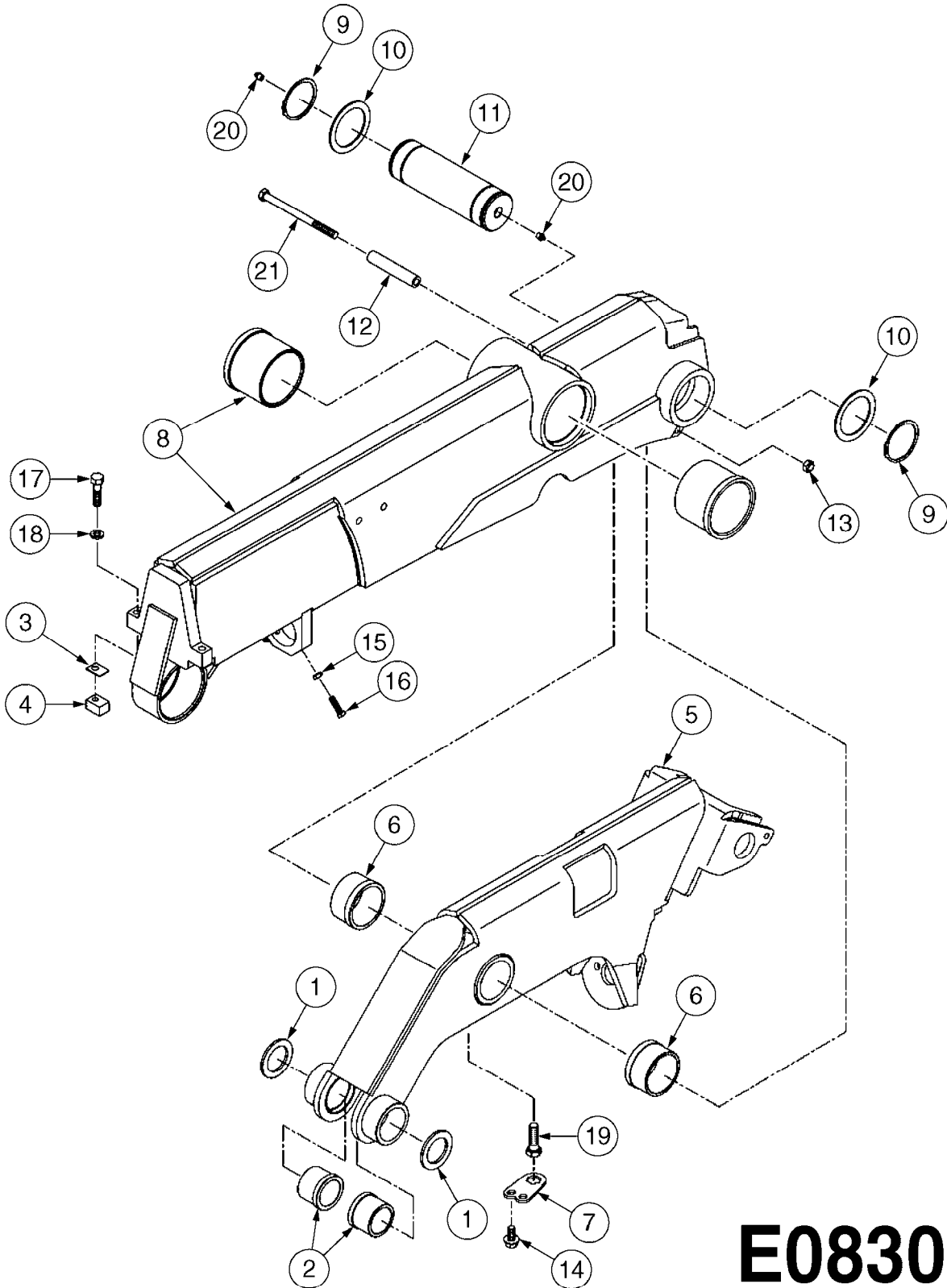
E0815



CAMOPLAST SPEED SENSOR
E0815-HIN, 21:08:19

Page 1
Date 07.02.2020 10:25

| Pos. | parts-n° | order qty | description |
|------|----------|-----------|---------------------------------|
| 1 | 28110603 | 1 | SPEED SENSOR RING, CAMOPLAST |
| 2 | 28110703 | 1 | SPEED RING MOUNT BKT. CAMOPLAST |
| 3 | 28110803 | 1 | SPEED SENSOR BKT. CAMOPLAST |
| 4 | 28110903 | 1 | SPEED SENSOR CAMOPLAST |
| 5 | 28111003 | 1 | BOLT, HEX 5/16" X 3/4" |
| 6 | 28111103 | 1 | WASHER, FLAT 5/16" |
| 7 | 28111203 | 1 | NUT, LOCK 5/16" FLANGED |



E0830



CAMOPLAST FRAME 40 SERIES
E0830-HIN, 01:01:16

Page 1

Date 07.02.2020 10:25

| Pos. | parts-n° | order qty | description |
|------|----------|-----------|--------------------------------|
| 1 | 28076003 | 1 | WASHER, 3"X2.02"X3/16" |
| 2 | 28076303 | 1 | BUSHING 2.55"ODX2.012ID"X2" |
| 3 | 28076403 | 1 | SHIM, TILT STOPPER |
| 4 | 28076503 | 1 | STOPPER, TILT |
| 5 | 28076603 | 1 | TENSION ARM (40 SERIES) |
| 6 | 28076703 | 1 | BUSHING, TENS. 3.48X3.15X1.98" |
| 7 | 28076803 | 1 | LOCK PLATE |
| 8 | 28076903 | 1 | FRAME W/BUSHINGS (40 SERIES) |
| 9 | 28077003 | 1 | SNAP RING EXT. 3" |
| 10 | 28077103 | 1 | WASHER |
| 11 | 28077203 | 1 | PIN, 3" OD X 9.56" |
| 12 | 28077303 | 1 | SPACER |
| 13 | 28083403 | 1 | LOCK NUT 1/2"-20 UNF |
| 14 | 28083503 | 1 | BOLT HEX FLG.1"X1/2"-13UNC GR5 |
| 15 | 28083603 | 1 | JAM NUT 3/8"-16 UNC GR 8 |
| 16 | 28083703 | 1 | SET SCREW 1-1/2"X3/8"-16 UNC |
| 17 | 28083803 | 1 | BOLT HEX 2"X1/2"-13 UNC |
| 18 | 28083903 | 1 | LOCK WASHER 1/2" |
| 19 | 28084003 | 1 | BOLT HEX 2" X 5/8"-11 |
| 20 | 28084103 | 1 | GREASE FITTING |
| 21 | 28084203 | 1 | BOLT HEX 6-1/2"X1/2"-20UNF GR8 |

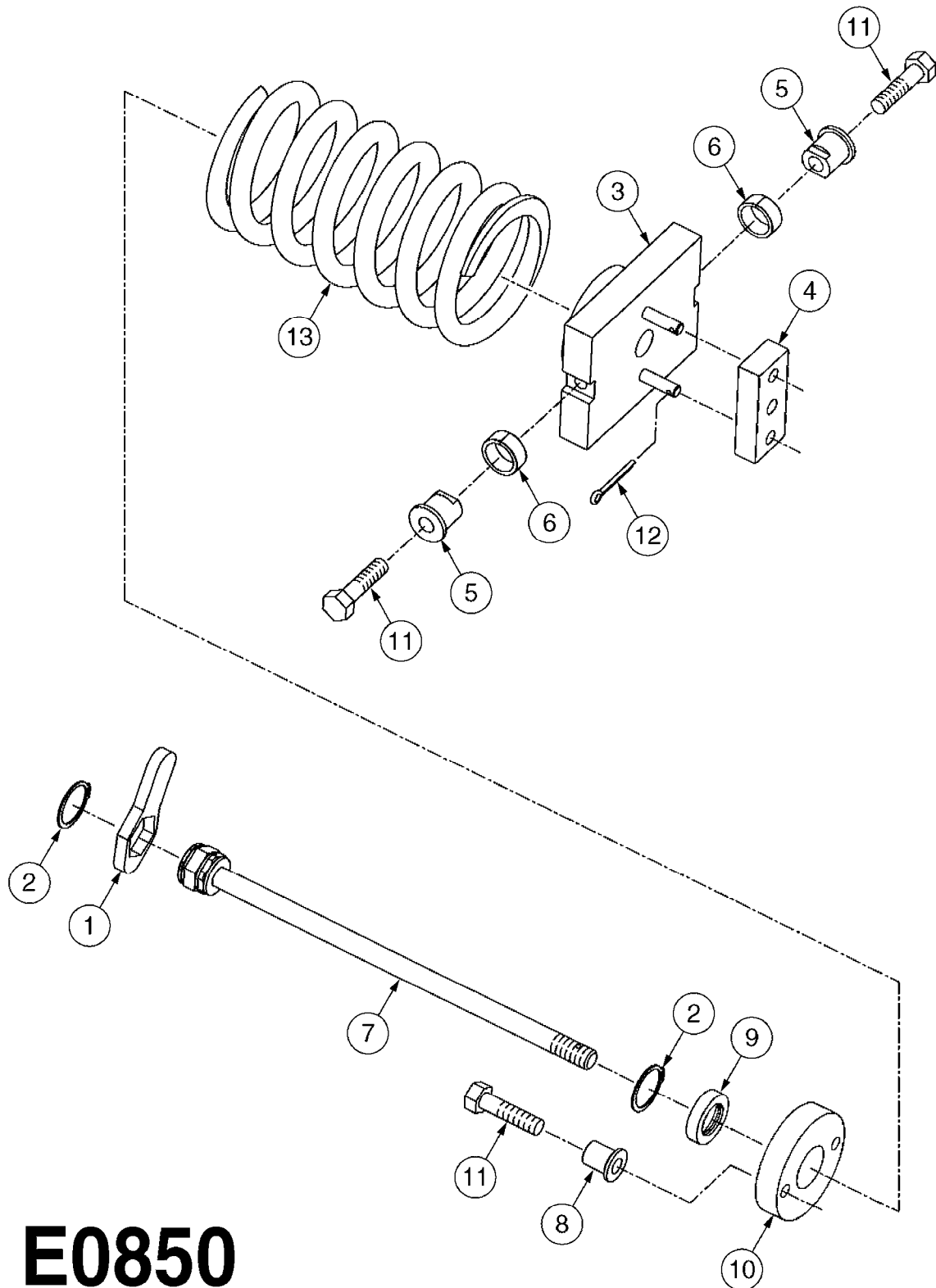


CAMOPLAST TENSION LINK ASSY.
E0840-HIN, 01:01:16

Page 1

Date 07.02.2020 10:25

| Pos. | parts-n° | order qty | description |
|------|----------|-----------|--|
| 1 | 28077403 | 1 | TENSION LINK |
| 2 | 28077503 | 1 | BUSHING 2.5"ODX0.25"WX3.94" |
| 3 | 28077603 | 1 | RETAINER PLATE |
| 4 | 28077703 | 1 | PIN |
| 5 | 28077803 | 1 | WASHER 1.062"ID X 2"OD |
| 6 | 28077903 | 1 | BUSHING 1.375" X 1.88" LG |
| 7 | 28078003 | 1 | BUSHING 1.875"ODX0.25"WTX1.55" |
| 8 | 28078103 | 1 | WEAR PAD |
| 9 | 28078203 | 1 | AXLE |
| 10 | 28078303 | 1 | HUB ASSY.IDLER, G60-8 HUB COMPLETE W/LUG NUTS |
| 11 | 28082103 | 1 | LUG NUT SET (8) IDLER |
| 12 | 28082203 | 1 | WHEEL STUD SET (8) IDLER |
| 13 | 28083503 | 1 | BOLT HEX FLG.1"X1/2"-13UNC GR5 |
| 14 | 28084303 | 1 | BOLT HEX FLG.1"X5/8"-11UNC GR8 |
| 15 | 28084403 | 1 | BOLT HEX 8"X1"-8 UNC |
| 16 | 28084503 | 1 | NUT 1"-8 UNC GR 8 |



E0850

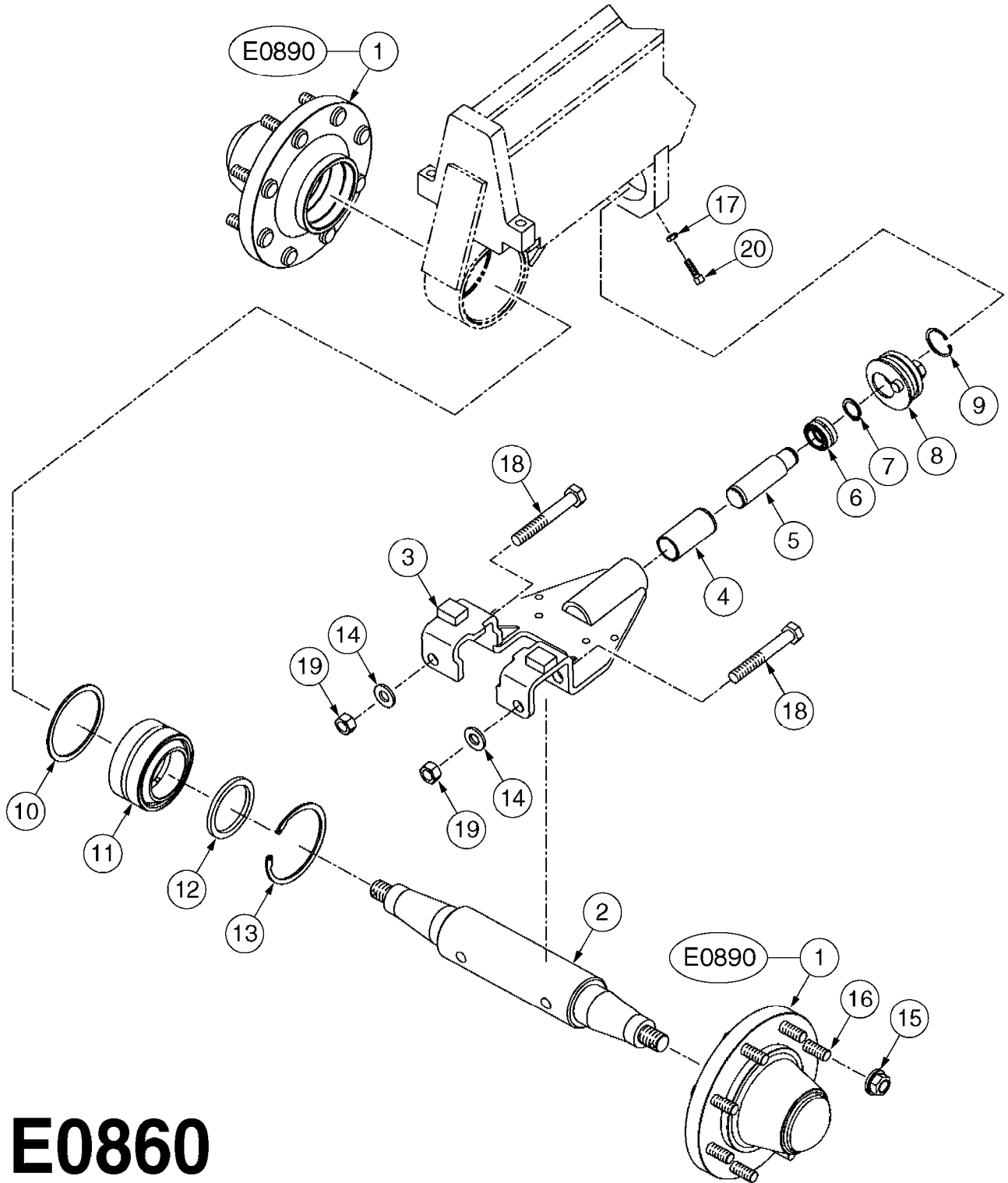


CAMOPLAST TENSIONER ASSEMBLY
E0850-HIN, 01:01:16

Page 1

Date 07.02.2020 10:25

| Pos. | parts-n° | order qty | description |
|------|----------|-----------|---------------------------------|
| 1 | 28074003 | 1 | LOCK PLATE |
| 2 | 28074103 | 1 | SNAP RING |
| 3 | 28078403 | 1 | SPRING MOUNT |
| 4 | 28078503 | 1 | RETAINER PLATE |
| 5 | 28078603 | 1 | SLEEVE W/NOTCH |
| 6 | 28078703 | 1 | BUSHING 1/2"X1-1/4"ODX1"ID |
| 7 | 28078803 | 1 | ACME SCREW |
| 8 | 28078903 | 1 | SLEEVE, EXTEN.1"X1/2"IDX1.04"OD |
| 9 | 28079003 | 1 | SEAT, WASHER |
| 10 | 28079103 | 1 | SPRING PILOT |
| 11 | 28083803 | 1 | BOLT HEX 2"X1/2"-13 UNC |
| 12 | 28084603 | 1 | COTTER PIN 1-1/4" X 5/32" |
| 13 | 28085103 | 1 | SPRING |
| | | | SPRING FOR 30 SERIES |
| 13 | 28085203 | 1 | SPRING 9" X 5" X 3/4" |
| | | | SPRING FOR 40 SERIES |



E0860



CAMOPLAST ALIGNMENT ASSEMBLY
E0860-HIN, 01:01:16

Page 1

Date 07.02.2020 10:25

| Pos. | parts-n° | order qty | description |
|------|----------|-----------|--------------------------------|
| 1 | 28078303 | 1 | HUB ASSY.IDLER, G60-8 |
| | | | HUB COMPLETE W/LUG NUTS |
| 2 | 28079203 | 1 | AXLE, FRONT IDLER |
| 3 | 28079303 | 1 | ALIGNMENT FRAME |
| 4 | 28079403 | 1 | ALIGNMENT BUSHING |
| 5 | 28079503 | 1 | ALIGNMENT PIN |
| 6 | 28079603 | 1 | BEARING 1"IDX1.625"ODX0.875" |
| 7 | 28079703 | 1 | SNAP RING EXT. 1" |
| 8 | 28079803 | 1 | DISC, ECCENTRIC |
| 9 | 28079903 | 1 | SNAP RING, INT. 1-3/4" |
| 10 | 28080003 | 1 | SHIM, 12 GAUGE |
| 11 | 28080103 | 1 | BEARING 3"IDX4.75"ODX2.625" |
| 12 | 28080203 | 1 | WASHER, 1/4" |
| 13 | 28080303 | 1 | SNAP RING |
| 14 | 28081203 | 1 | WASHER21/32"IDX1-5/16"ODX0.146 |
| 15 | 28082103 | 1 | LUG NUT SET (8) IDLER |
| 16 | 28082203 | 1 | WHEEL STUD SET (8) IDLER |
| 17 | 28083603 | 1 | JAM NUT 3/8"-16 UNC GR 8 |
| 18 | 28084703 | 1 | BOLT 4-1/2" X 5/8"-11 UNC |
| 19 | 28084803 | 1 | NUT 5/8"-11 UNC GR 8 |
| 20 | 28084903 | 1 | SET SCREW SQ.HD.1-1/2"X3/8"-16 |

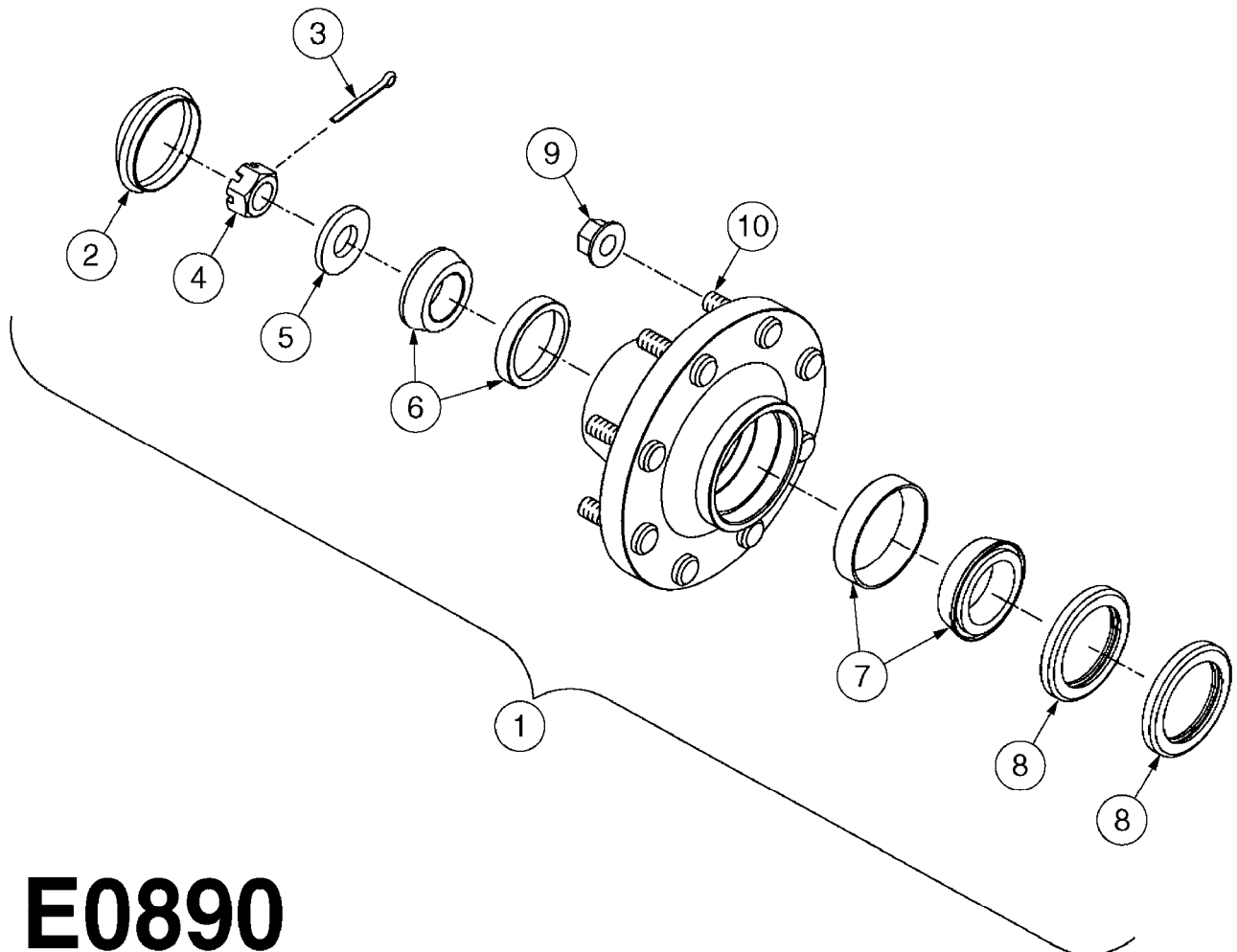


CAMOPLAST BOGIE MID-ROLLER 40
E0880-HIN, 01:01:16

Page 1

Date 07.02.2020 10:25

| Pos. | parts-n° | order qty | description |
|------|----------|-----------|--|
| 1 | 28076003 | 1 | WASHER, 3"X2.02"X3/16" |
| 2 | 28076103 | 1 | SNAP RING EXT. 2" |
| 3 | 28080503 | 1 | BUSHING |
| 4 | 28080603 | 1 | HUB ASSY.MID-ROLLER HUB COMPLETE W/LUG NUTS |
| 5 | 28080703 | 1 | MID-ROLLER DOGHOUSE(40 SERIES) |
| 6 | 28080803 | 1 | HOUSING, BOGIE |
| 7 | 28080903 | 1 | AXLE, MID-ROLLER |
| 8 | 28081003 | 1 | SET SCREW, 3/4"X1/2"-13 UNC |
| 9 | 28081103 | 1 | PIN, BOGIE |
| 10 | 28081203 | 1 | WASHER21/32"IDX1-5/16"ODX0.146 |
| 11 | 28081303 | 1 | RETAINER ROD |
| 12 | 28083003 | 1 | LUG NUT SET (6) MID-ROLLER |
| 13 | 28083103 | 1 | WHEEL STUD SET (6) MID-ROLLER |
| 14 | 28084103 | 1 | GREASE FITTING |
| 15 | 28084603 | 1 | COTTER PIN 1-1/4" X 5/32" |
| 16 | 28085003 | 1 | CASTLE NUT 5/8"-11 UNC GR 5 |



E0890

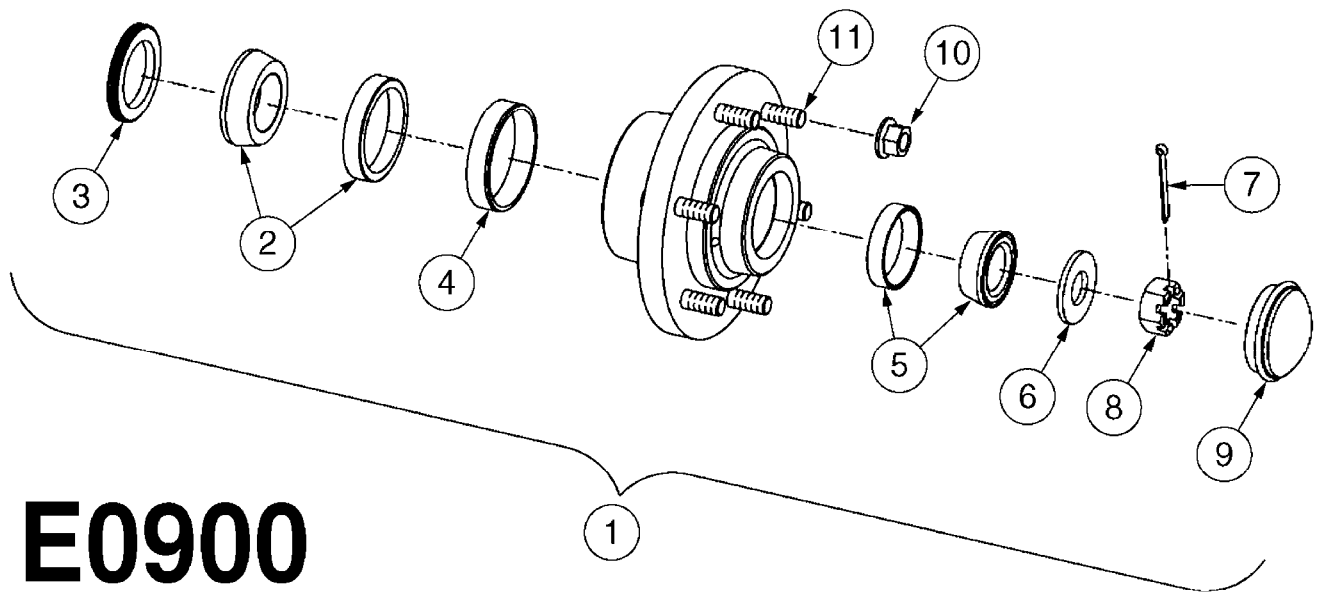


CAMOPLAST HUB ASSEMBLY - IDLER
E0890-HIN, 01:01:16

Page 1

Date 07.02.2020 10:25

| Pos. | parts-n° | order qty | description |
|------|----------|-----------|-----------------------------|
| 1 | 28078303 | 1 | HUB ASSY.IDLER, G60-8 |
| 2 | 28081403 | 1 | DUST CAP |
| 3 | 28081503 | 1 | COTTER PIN 7/32" X 2-1/4" |
| 4 | 28081603 | 1 | CASTLE NUT 1-1/4"-12 |
| 5 | 28081703 | 1 | WASHER 1.28"IDX2.5"ODX0.13" |
| 6 | 28081803 | 1 | BEARING ASSEMBLY - OUTER |
| 7 | 28081903 | 1 | BEARING ASSEMBLY - INNER |
| 8 | 28082003 | 1 | WHEEL SEAL, SINGLE LIP |
| 9 | 28082103 | 1 | LUG NUT SET (8) IDLER |
| 10 | 28082203 | 1 | WHEEL STUD SET (8) IDLER |



E0900

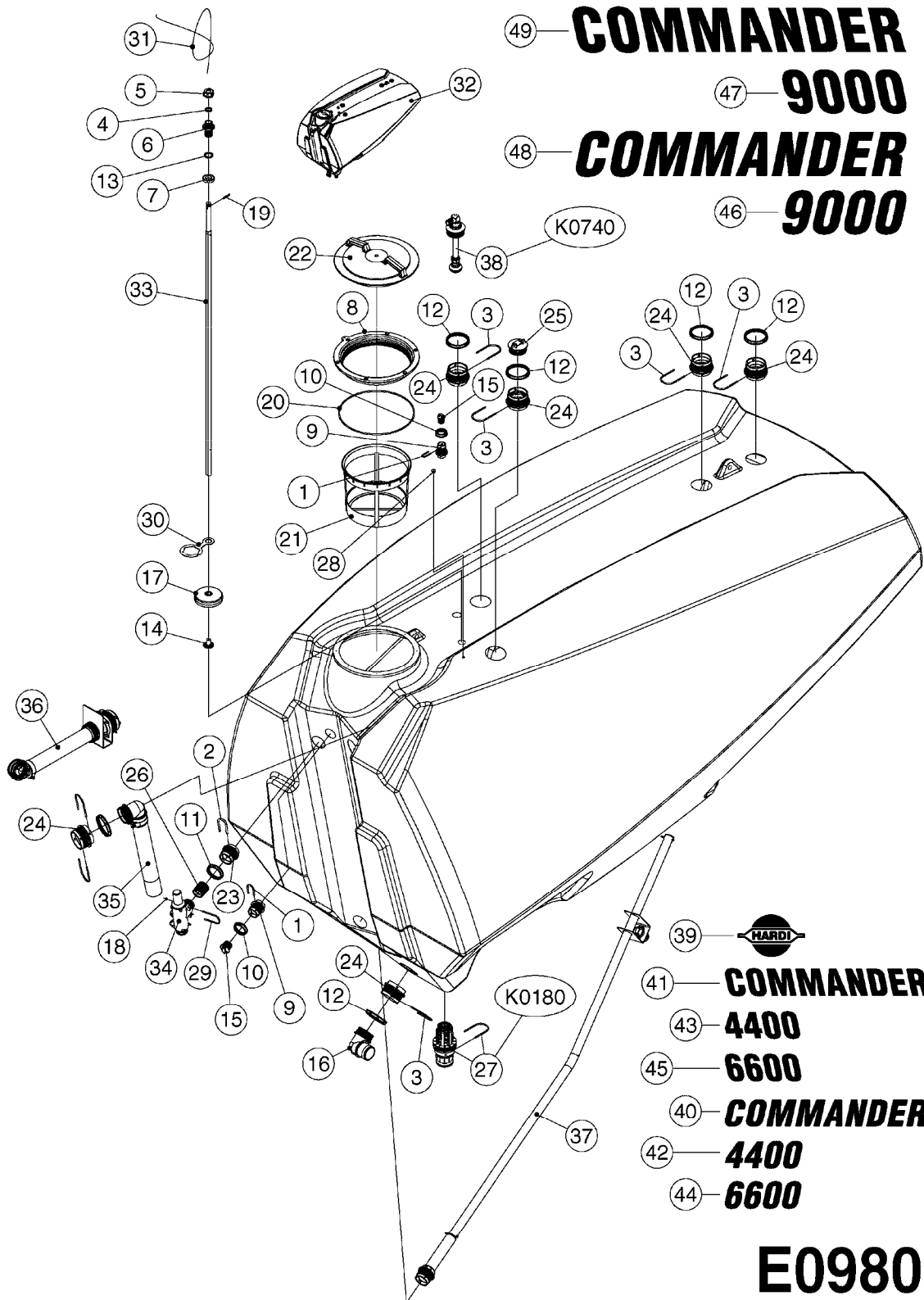


CAMOPLAST HUB ASSY. MID-ROLLER
E0900-HIN, 01:01:16

Page 1

Date 07.02.2020 10:25

| Pos. | parts-n° | order qty | description |
|------|----------|-----------|-------------------------------|
| 1 | 28080603 | 1 | HUB ASSY.MID-ROLLER |
| 2 | 28081803 | 1 | BEARING ASSEMBLY - OUTER |
| 3 | 28082303 | 1 | WHEEL SEAL, TRIPLE LIP |
| 4 | 28082403 | 1 | WEAR RING |
| 5 | 28082503 | 1 | BEARING ASSEMBLY, 783 OUTER |
| 6 | 28082603 | 1 | WASHER 0.94"IDX2"ODX0.16" |
| 7 | 28082703 | 1 | COTTER PIN 1-3/4" X 5/32" |
| 8 | 28082803 | 1 | CASTLE NUT 7/8"-14 UNF |
| 9 | 28082903 | 1 | DUST CAP 2-3/4"OD X 2-7/16" |
| 10 | 28083003 | 1 | LUG NUT SET (6) MID-ROLLER |
| 11 | 28083103 | 1 | WHEEL STUD SET (6) MID-ROLLER |



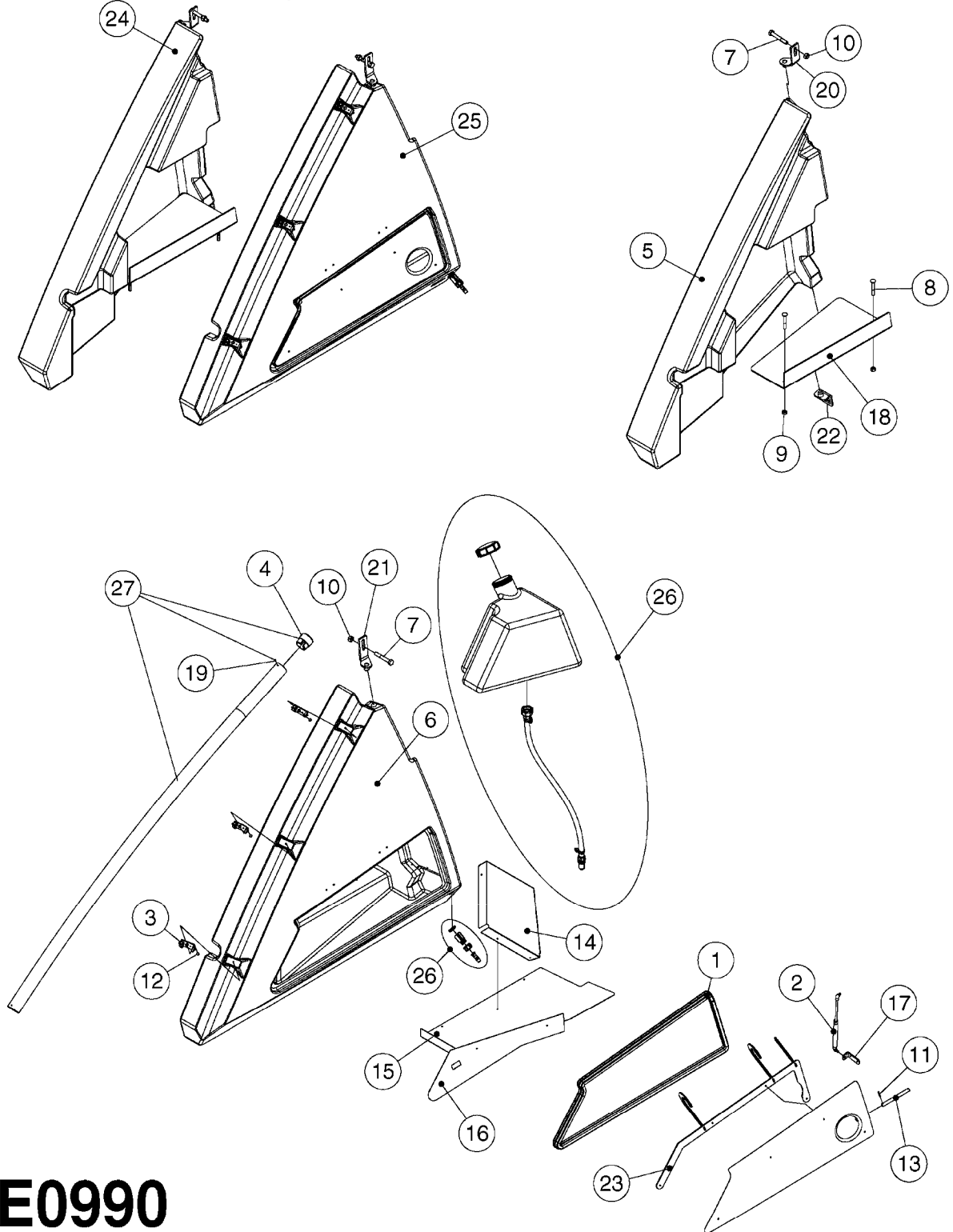


TANK NCM 4400/6600/9000
E0980-HIN, 01:01:16

| Pos. | parts-n° | order qty | description |
|------|----------|-----------|---|
| 1 | 145994 | 1 | FITT.DK S-40 FORK |
| 2 | 145996 | 1 | FITT.DK S-67 FORK |
| 3 | 145997 | 1 | FITT.DK S-93 FORK |
| 4 | 242309 | 1 | SEAL Ø22 ID Ø30 OD X 4 HIGH |
| 5 | 320095 | 1 | FITT.DK NUT 1" BSP |
| 6 | 320456 | 1 | FITT.DK BULKHEAD 1"BSP DOUBLE |
| 7 | 320471 | 1 | FITT.DK NUT 1" BSP JAMB |
| 8 | 322097 | 1 | THREADED RING F. LID |
| 9 | 322102 | 1 | FITT.DK S-40 BULKHEAD |
| 10 | 322106 | 1 | FITT.DK S-40 BULKHEAD NUT |
| 11 | 322108 | 1 | FITT.DK S-67 BULKHEAD NUT |
| 12 | 322109 | 1 | FITT.DK S-93 BULKHEAD NUT |
| 13 | 332577 | 1 | O-RING D38/D30X4 F.1" PUR. |
| 14 | 333864 | 1 | GUIDE F. SAFETY VALVE SPRING |
| 15 | 334248 | 1 | FITT.DK S-40 PLUG |
| 16 | 334340 | 1 | FITT.DK S-93 ELBOW 2.5" |
| 17 | 334515 | 1 | FLOATER FOR LIQUID LEVEL |
| 18 | 461217 | 1 | NUT HEX M5 LOCK |
| 19 | 480717 | 1 | PIN E 5X40 SST |
| 20 | 614588 | 1 | SEAL F. LID |
| 21 | 614602 | 1 | FILTER BASKET |
| 22 | 726003 | 1 | LID F. TANK |
| 23 | 726464 | 1 | FITT.DK S-67 BULKHEAD W/GASKET |
| 24 | 726465 | 1 | FITT.DK S-93 BULKHEAD W/GASKET |
| 25 | 726580 | 1 | FITT. S93 PLUG W/O-RING |
| 26 | 728526 | 1 | FITT.DK S-67 CONNECT W/O-RINGS |
| 27 | 730084 | 1 | BOTTOM VALVE S93 2"RG-3M |
| 28 | 14001500 | 1 | GROMMET F.TOP DRAIN CORD |
| 29 | 14012200 | 1 | FITT.DK S-67 FORK W/M5 THREADS |
| 30 | 16025500 | 1 | TANK SPACER SIGHT GAUGE |
| 31 | 28034100 | 1 | CABLE F.LIQUID LEVEL IND. SS L=5M |
| 32 | 35002004 | 1 | TANK RAW 9000 NCM |
| 32 | 73128700 | 1 | TANK CM 4400 '15 ASSEMBLY |
| 32 | 72265500 | 1 | TANK NCM 6600 ASSEMBLY |
| 33 | 61036700 | 1 | GUIDE TUBE F.FLOATER, L=1850, NV4000/CM4400 |
| 33 | 61038600 | 1 | GUIDE TUBE F.FLOAT NCM 9000 |
| 33 | 61038700 | 1 | GUIDE TUBE F.FLOAT NCM 6600 |
| 34 | 72280300 | 1 | SAFTY VALVE S67 15 BAR CM'05 |
| 35 | 72317500 | 1 | SUCT. HOSE 2-1/2"X1100 S39/90 |
| 36 | 72317600 | 1 | SUCT. HOSE 2"X900/S39-S93 |
| 37 | 72356900 | 1 | PRESSURE AGITATION CM 6600 |
| 37 | 72538900 | 1 | PRESSURE AGITATION CM 4400 |
| 38 | 72358000 | 1 | TANK RINSE LOW MOD.ASSMBLY NCM |
| 39 | 97811600 | 1 | DECAL COMPANY 335MM X 210MM |
| 40 | 97811700 | 1 | DECAL COMMANDER LEFT HAND |
| 41 | 97811800 | 1 | DECAL COMMANDER RIGHT HAND |
| 42 | 97812100 | 1 | DECAL 4400 LEFT HAND |
| 43 | 97812200 | 1 | DECAL 4400 RIGHT HAND |
| 44 | 97813800 | 1 | DECAL 6600 LEFT HAND |
| 45 | 97813900 | 1 | DECAL 6600 RIGHT HAND |
| 46 | 97815000 | 1 | DECAL 9000 LEFT |
| 47 | 97815100 | 1 | DECAL 9000 RIGHT |
| 48 | 97815200 | 1 | DECAL COMMANDER LEFT 145% |
| 49 | 97815300 | 1 | DECAL COMMANDER RIGHT 145% |



Complete



E0990

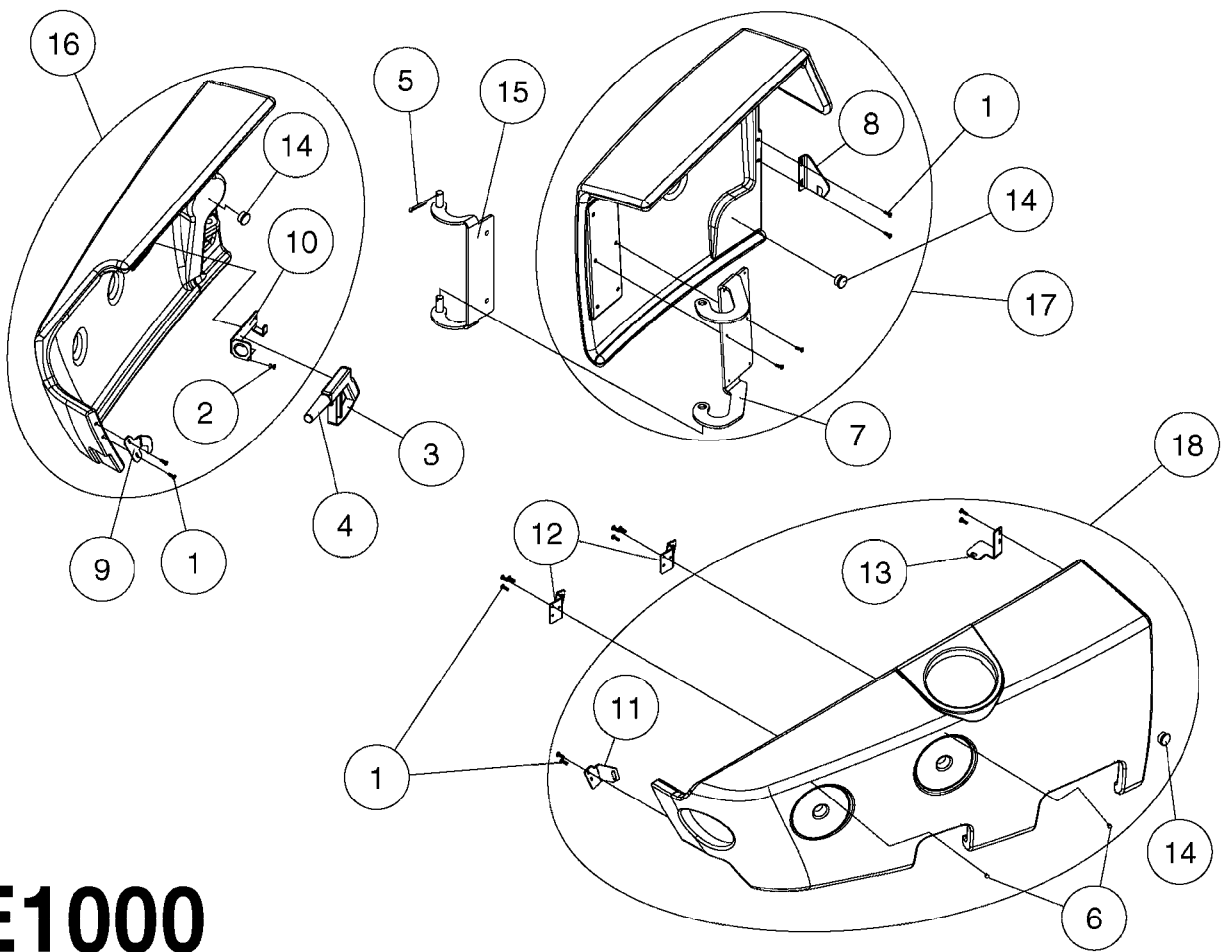


LOCKER & CLEAN WATER TANK NCM
E0990-HIN, 15:05:19

Page 1

Date 07.02.2020 10:26

| Pos. | parts-n° | order qty | description |
|------|----------|-----------|--|
| 1 | 242474 | 1 | SEAL 16X28XL=' LOCKER DOOR CM+ |
| 2 | 285793 | 1 | GAS CYLINDER |
| 3 | 334523 | 1 | PIPE HOLDER Ø51.5 |
| 4 | 334850 | 1 | GUIDE F. SIGHT GAUGE TUBE TOP |
| 5 | 351766 | 1 | SIDE SHIELD MOUNT RIGHT |
| 6 | 351767 | 1 | SIDE SHIELD MOUNT LEFT |
| 7 | 430846 | 1 | BOLT HEX 8.8 DEL M12X80 |
| 8 | 440718 | 1 | BOLT CRG M10 X 65 DEL |
| 9 | 460423 | 1 | NUT HEX M10X1.50 LOCK DIN985A2 SS |
| 10 | 460703 | 1 | NUT HEX M12X1.75 LOCK DIN985A2 SS |
| 11 | 480141 | 1 | PIN COTTER M4X20 |
| 12 | 480809 | 1 | BLIND RIVET, EMHART ACD616ASM |
| 13 | 15057800 | 1 | HANDLE F.LEFT SIDE LOCKER |
| 14 | 16124500 | 1 | DIVIDER F.LOCKER L.SIDE SHIELD |
| 15 | 16124600 | 1 | SHELF FLOOR-LEFT SIDE LOCKER |
| 16 | 16124700 | 1 | SHELF WALL-LEFT SIDE LOCKER |
| 17 | 16126900 | 1 | BRACKET F.DOOR-STORAGE LOCKER |
| 18 | 16127300 | 1 | SHELF FLOOR-RIGHT SIDE LOCKER |
| 19 | 44075300 | 1 | SCREW 3.5X9.5SS/X15 ISO 14585C |
| 20 | 61033900 | 1 | BRACKET F. SIDE PANEL R.H. NCM |
| 21 | 61034000 | 1 | BRACKET F. SIDE PANEL L.H. NCM |
| 22 | 61037500 | 1 | ADJUSTING BRACKET, BOTTOM NCM |
| 23 | 63037800 | 1 | BRACKET F.DOOR-STORAGE LOCKER |
| 24 | 72280100 | 1 | SIDE SHIELD RIGHT NCM COMPLETE |
| 25 | 72280200 | 1 | SIDE SHIELD LEFT+CLEAN W.TANK |
| 26 | 72280600 | 1 | CLEAN W.TANK LEFT SIDE NCM |
| 27 | 72282800 | 1 | SIGHT GAUGE W/SCALE NCM4400 LITER PRE'15 TUBE LENGTH = 75" |
| 27 | 72357100 | 1 | SIGHT GAUGE W/SCALE NCM6600 LITER |
| 27 | 72358300 | 1 | SIGHT GAUGE TUBE 85/90/10000 L=2382 BENT |
| 27 | 72440100 | 1 | SIGHT GAUGE W/SCALE,CM6600 GAL |
| 27 | 72932100 | 1 | SIGHT GAUGE TUBE W/DECAL CM4400/4500 GAL PRE'15 TUBE LENGTH = 75" |
| 27 | 73125500 | 1 | SIGHT GAUGE W/SCALE,CM4500 '15 LITER POST'15 TUBE LENGTH = 82" |
| 27 | 73277500 | 1 | SIGHT GAUGE W/SCALE,CM4500 '15 GAL POST'15 TUBE LENGTH = 82" |
| 27 | 97610003 | 1 | DECAL SIGHT GAUGE NCM 9000 GAL |



E1000



SHIELDS NCM 4400/6600/9000
E1000-HIN, 01:01:16

Page 1
Date 07.02.2020 10:26

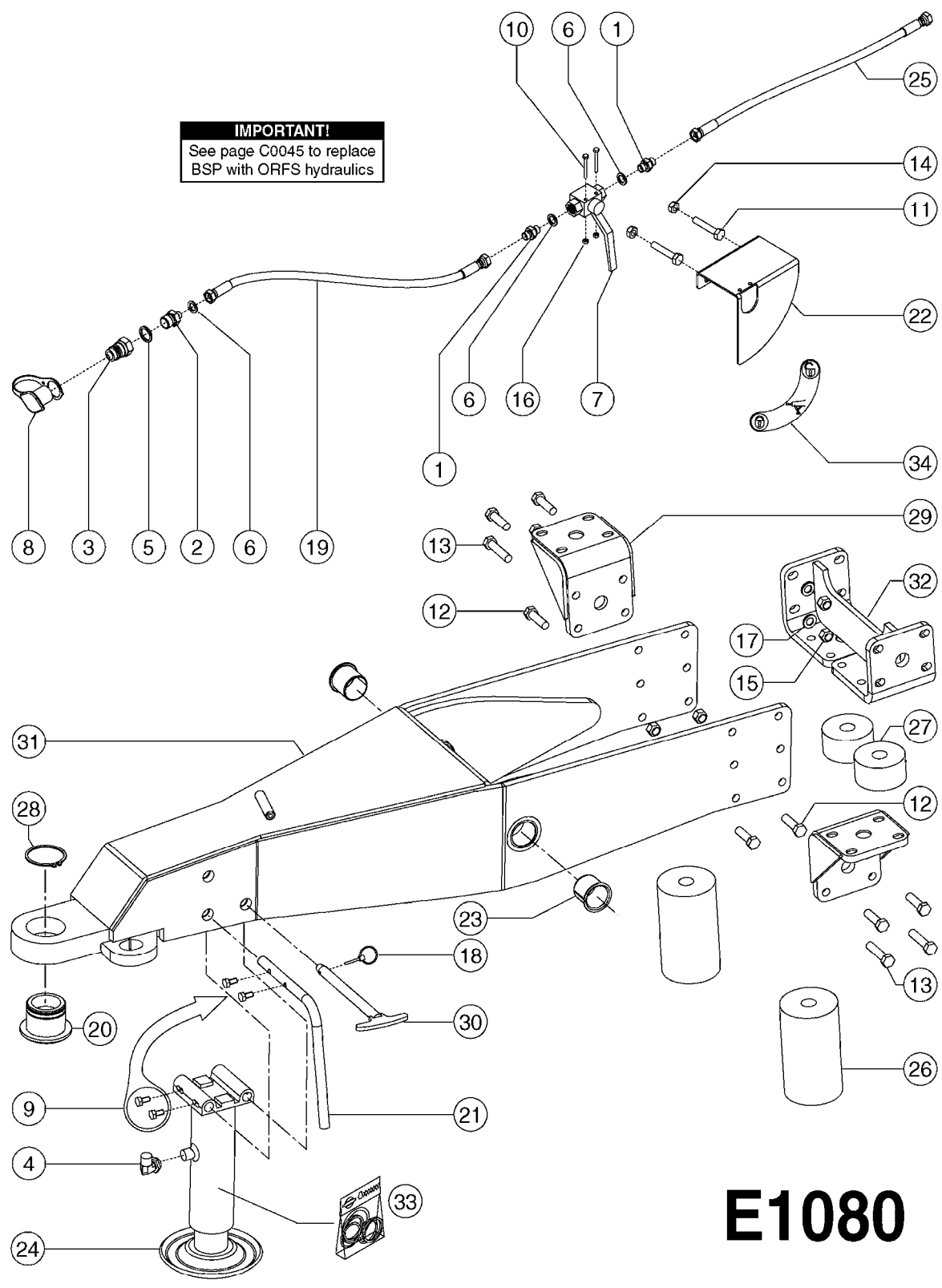
| Pos. | parts-n° | order qty | description |
|------|----------|-----------|--------------------------------|
| 1 | 440719 | 1 | SCREW F.PLASTIC KB60x20 SS |
| 2 | 480809 | 1 | BLIND RIVET, EMHART ACD616ASM |
| 3 | 725663 | 1 | PISTOL 60 COVER PART |
| 4 | 725664 | 1 | FRONTPART F.SPRAY GUN MODEL 60 |
| 5 | 10008603 | 1 | COTTER PIN 1/8"X 1-1/2" |
| 6 | 14042800 | 1 | INDICATOR FOR VALVE POSITION |
| 7 | 16133800 | 1 | HINGE F.GREY SHIELD CM '05 |
| 8 | 16133900 | 1 | HOOK F.GREY SHIELD CM '05 |
| 9 | 16134000 | 1 | BKT F. FRONT RH COVER NCM |
| 10 | 16134100 | 1 | BRACKET. HAND GUN HOLDER NCM |
| 11 | 16135300 | 1 | BKT F. FRONT LH COVER NCM |
| 12 | 16135400 | 1 | MIDDLE HANGER LEFT GRAY SIDE |
| 13 | 16135500 | 1 | BKT F. FRONT LH COVER NCM |
| 14 | 28046900 | 1 | COVER PLUG 1" BLACK |
| 15 | 61035500 | 1 | HINGE BRACKET FOR CM05 LOCKER |
| 16 | 72294000 | 1 | SHEILD R.H.FRONT ASSM. NCM |
| 17 | 72294100 | 1 | SHEILD R.H. CHEM-LOCKER ASSM. |
| 18 | 72294900 | 1 | SHEILD L.H.FRONT ASSM. NCM |



DRAWBAR - NCM 9000
E1080-HIN, 31:03:16

Page 0
Date 07.02.2020 10:26

IMPORTANT!
See page C0045 to replace
BSP with ORFS hydraulics



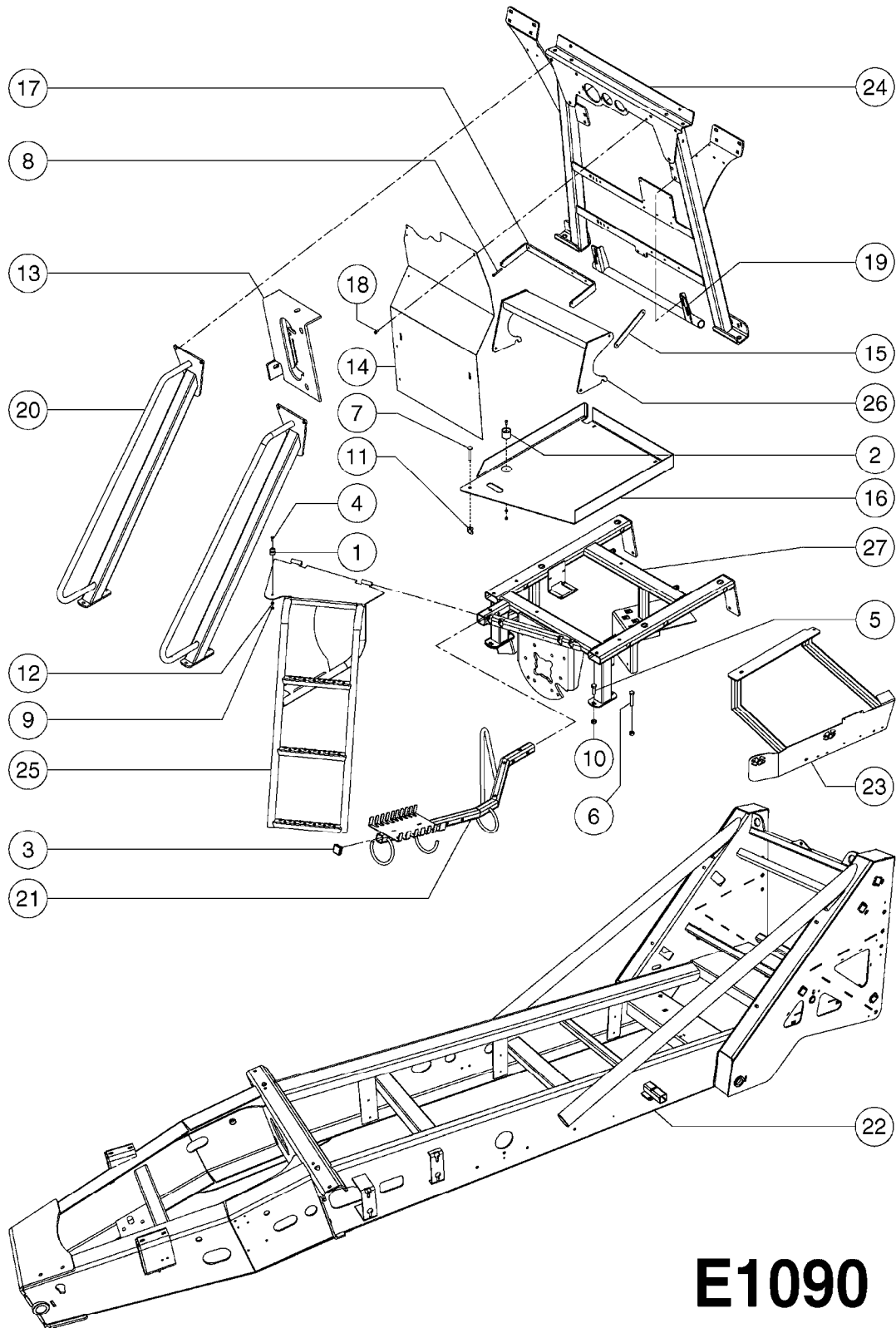
E1080



DRAWBAR - NCM 9000
E1080-HIN, 31:03:16

Page 1
Date 07.02.2020 10:26

| Pos. | parts-n° | order qty | description |
|------|----------|-----------|-----------------------------------|
| 1 | 146845 | 1 | HEX NIPPLE 1/4"X1/4" |
| 2 | 146846 | 1 | HEX NIPPLE 1/2" X 1/4" |
| 3 | 230311 | 1 | QUICK COUPLING 1/2" |
| 4 | 232278 | 1 | NIPPLE 3/8"/90° W. UNION NUT |
| 5 | 241356 | 1 | DOWTYSEAL 1/2" |
| 6 | 241404 | 1 | DOWTY SEAL 1/4" |
| 7 | 284635 | 1 | BALL VALVE HY. 1/4 X 1/4 BSP |
| 8 | 334206 | 1 | DUST HOOD FOR HY-COUPLING |
| 9 | 420626 | 1 | BOLT HEX 8.8 DEL M10X20 FT |
| 10 | 421142 | 1 | BOLT HEX 8.8 DEL M5X40 |
| 11 | 421224 | 1 | BOLT HEX 8.8 DEL M10X55 |
| 12 | 430765 | 1 | BOLT HEX 8.8 DEL M16X55 |
| 13 | 430915 | 1 | BOLT HEX 8.8 DEL M16X70 |
| 14 | 460423 | 1 | NUT HEX M10X1.50 LOCK DIN985A2 SS |
| 15 | 460585 | 1 | LOCKING NUT M16 DIN985 A2 SS |
| 16 | 461217 | 1 | NUT HEX M5 LOCK |
| 17 | 471128 | 1 | WASHER, M16, Ø30/17.0X 3.0, SS |
| 18 | 480244 | 1 | PIN SNAP D4.5 |
| 19 | 784114 | 1 | HOSE HY X 1/4 X 80.7" STR+STR |
| 20 | 14017204 | 1 | BUSHING D106/D52 L=68 HITCH |
| 21 | 14027204 | 1 | HANDLE HYDRAULIC JACK NCM 9000 |
| 22 | 16160000 | 1 | PLATE F. HYD. VALVE CM66/9000 |
| 23 | 21000904 | 1 | BEARING TEFLON 50/52 |
| 24 | 27004104 | 1 | JACK STAND HYDRAULIC NCM9000 |
| 25 | 78400704 | 1 | HOSE HY 1/4" l=130" STR+3/8STR |
| 26 | 39001204 | 1 | BUFFER PU D120X210 NCM 9000 |
| 27 | 39001304 | 1 | BUFFER PU D105X55 NCM 9000 |
| 28 | 48000904 | 1 | SNAP RING D1400-0800 NCM 9000 |
| 29 | 61021504 | 1 | SUS.MOUNT 9000 DRAWBAR |
| 30 | 61023604 | 1 | HYDRAULIC JACK PIN NCM 9000 |
| 31 | 63040204 | 1 | DRAWBAR NCM 9000 |
| 32 | 63040304 | 1 | DRAWBAR INSERT NCM 9000 |
| 33 | 75000404 | 1 | REPAIR KIT - HYD.JACK NCM 9000 |
| 34 | 97814500 | 1 | DECAL JACK STAND LOCK VALVE |



E1090



FRAME - NCM 9000
E1090-HIN, 01:01:16

Page 1

Date 07.02.2020 10:26

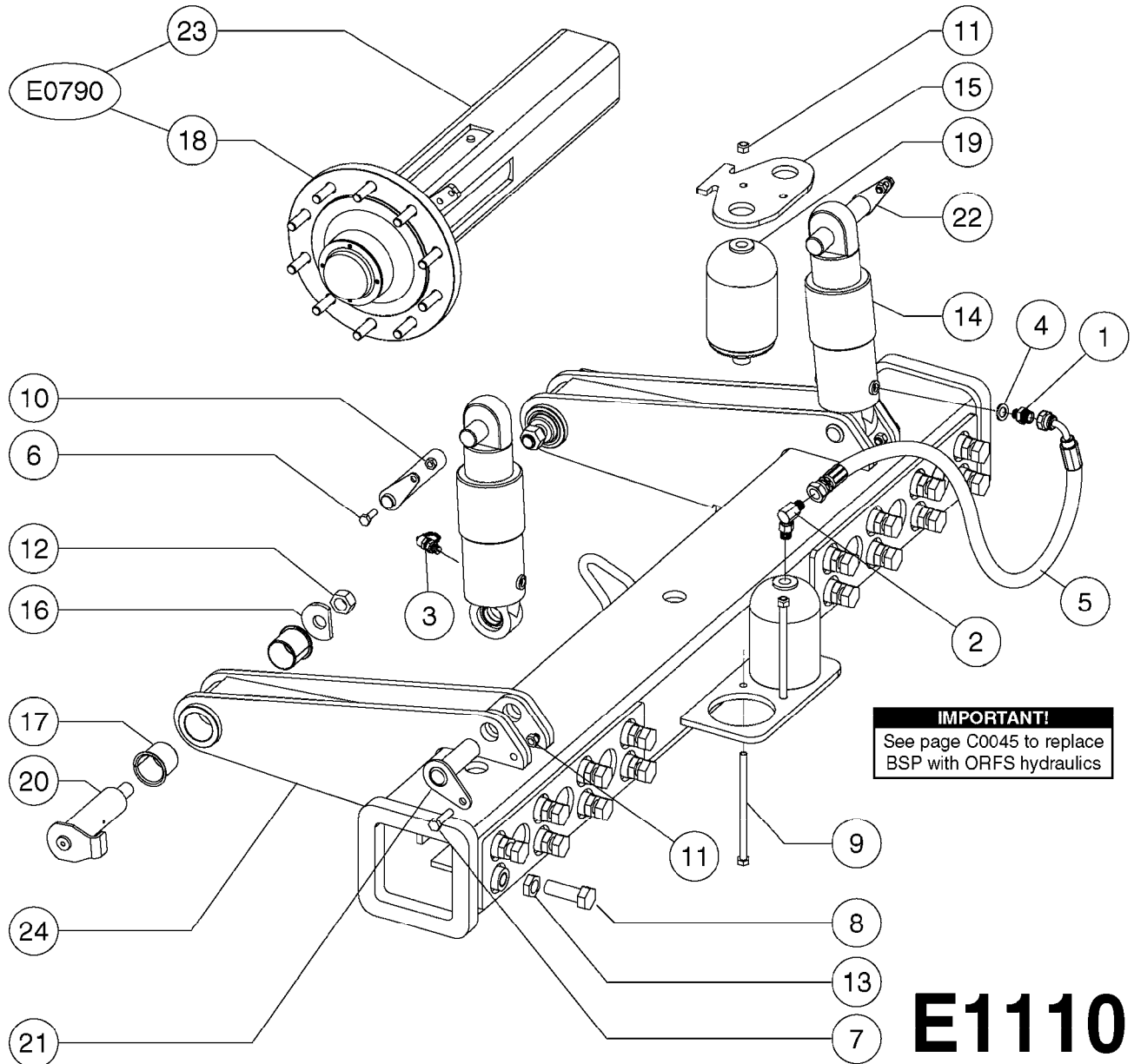
| Pos. | parts-n° | order qty | description |
|------|----------|-----------|-----------------------------------|
| 1 | 242567 | 1 | DOOR STOP, MALE |
| 2 | 242568 | 1 | DOOR STOP, FEMALE |
| 3 | 334571 | 1 | PLUG 40x40x2 F.SQ.TUBE |
| 4 | 410185 | 1 | BOLT HEX 8.8 DEL M6X16 |
| 5 | 430286 | 1 | BOLT HEX 8.8 DEL M12X30 FT |
| 6 | 430438 | 1 | BOLT HEX 8.8 DEL M12X65 |
| 7 | 440718 | 1 | BOLT CRG M10 X 65 DEL |
| 8 | 450402 | 1 | BOLT HEX M6X50 |
| 9 | 460261 | 1 | NUT HEX M6X1.00 LOCK DIN985 A2 SS |
| 10 | 460703 | 1 | NUT HEX M12X1.75 LOCK DIN985A2 SS |
| 11 | 461324 | 1 | NUT WING M10 STAINLESS STEEL |
| 12 | 471125 | 1 | WASHER M6U 6.4X14X1.2,A2 SS |
| 13 | 16107004 | 1 | PLATE 8 X 425 X 355 / 3 BENDS |
| 14 | 16113204 | 1 | PLATE 2 x 1050 x 740 / 2 BENDS |
| 15 | 16113804 | 1 | PLATE 5 X 255 X 30 |
| 16 | 16114504 | 1 | DECKPLATE F.PLATFORM NCM 9000 |
| 17 | 16128600 | 1 | BRACKET F. COVER PLATE NCM |
| 18 | 45001500 | 1 | SCREW THUMB PLASTIC HEAD M6x20 |
| 19 | 61023704 | 1 | BRACKET TANK FRONT NCM 9000 |
| 20 | 63033700 | 1 | HANDRAIL FOR PLATFORM PAINTED |
| 21 | 63038700 | 1 | HOSE & CABLE SUPPORT NCM |
| 22 | 63040004 | 1 | FRAME NCM 9000 |
| 23 | 63040500 | 1 | VALVE CONSOLE PAINTED |
| 24 | 63040704 | 1 | TRANSPORT FRAME NCM 9000 |
| 25 | 63041204 | 1 | STEP FOR NCM 9000 |
| 26 | 63041304 | 1 | STEP TOP NCM 9000 |
| 27 | 63043700 | 1 | MOUNT PLATFORM NCM 6600 |



PARALIFT - NCM 9000
E1100-HIN, 01:01:16

Page 1
Date 07.02.2020 10:26

| Pos. | parts-n° | order qty | description |
|------|----------|-----------|-----------------------------------|
| 1 | 140225 | 1 | BOLT SPECIAL F.PARALIFT M12x50 |
| 2 | 145674 | 1 | DISTANCE RING 0 40/25 X 42.5 |
| 3 | 210835 | 1 | BUSHING D28/25 L=25 |
| 4 | 220706 | 1 | SPRING SCF 12 BAR |
| 5 | 283699 | 1 | GREASE NIPPLE M6X1 |
| 6 | 283772 | 1 | GREASE NIPPLE M6X1 90° |
| 7 | 421002 | 1 | BOLT HEX 8.8 DEL M10X30 FT DIN933 |
| 8 | 430404 | 1 | BOLT HEX 8.8 DEL M12X50 |
| 9 | 430802 | 1 | BOLT HEX 8.8 DEL M12X75 |
| 10 | 430908 | 1 | BOLT HEX 8.8 DEL M12X200 |
| 11 | 451070 | 1 | CARRIAGE BOLT M12X30 |
| 12 | 460386 | 1 | NUT HEX M12X1.75 |
| 13 | 460423 | 1 | NUT HEX M10X1.50 LOCK DIN985A2 SS |
| 14 | 460703 | 1 | NUT HEX M12X1.75 LOCK DIN985A2 SS |
| 15 | 471127 | 1 | WASHER, M12, Ø24/13X24X2.5 SS |
| 16 | 729242 | 1 | TURNBUCKLE ASSY.M16 310-435 |
| 17 | 16145100 | 1 | SWIVEL FOR HOSE SUPPORT |
| 18 | 16166200 | 1 | HOOK F.TRANSF STOP W.HOLING |
| 19 | 21001004 | 1 | BEARING TEFLON D33/30 L25 |
| 20 | 61022004 | 1 | TIE DOWN NCM 9000 MAIN TANK |
| 21 | 61022904 | 1 | PIN PARA LIFT 9000 25Ø L=160 |
| 22 | 61023004 | 1 | PIN PARA LIFT 9000 30Ø L=160 |
| 23 | 63040804 | 1 | PARALIFT BOTTOM NCM 9000 |
| 24 | 63040904 | 1 | PARALIFT TOP NCM 9000 |
| 25 | 63041104 | 1 | PARALIFT LOCK ARM NCM 9000 |
| 26 | 72531000 | 1 | CYL. D25/12-50/78124200 W/FITT |



IMPORTANT!
See page C0045 to replace
BSP with ORFS hydraulics

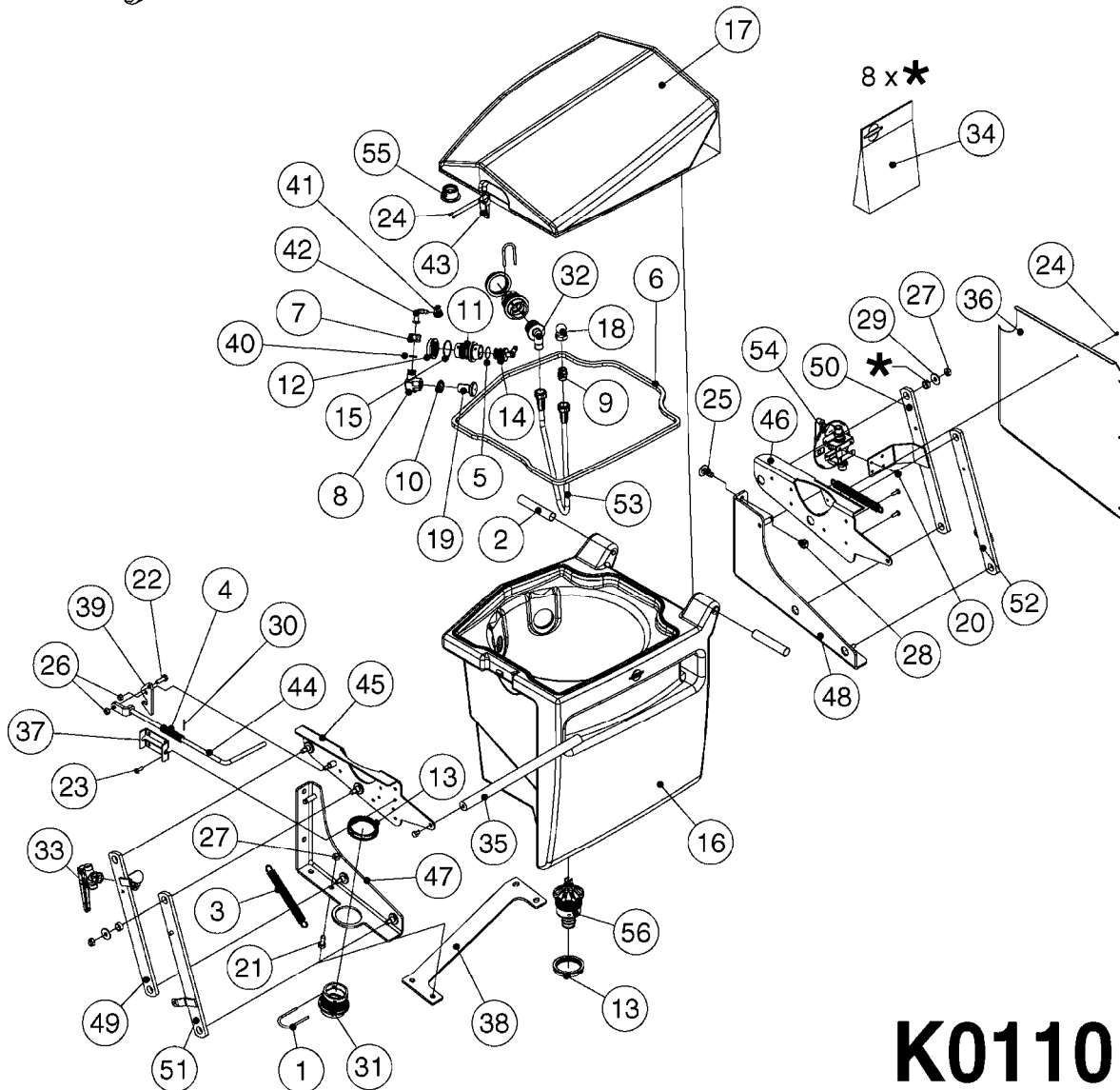
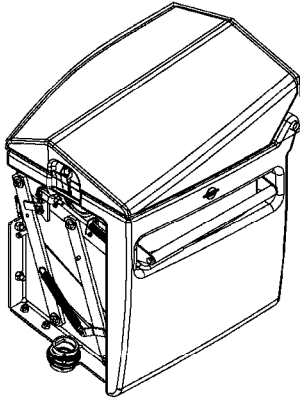
E1110



NCM 9000 SUSPENDED AXLE
E1110-HIN, 25:02:19

Page 1
Date 07.02.2020 10:26

| Pos. | parts-n° | order qty | description |
|------|----------|-----------|-----------------------------------|
| 1 | 147132 | 1 | HEX NIPPLE 1/2"X1/2" BSP DEL |
| 2 | 232293 | 1 | ELBOW 90° 1/2"x1/2" |
| 3 | 232298 | 1 | HY. TEST CONN. 1/2" OCBR-108 |
| 4 | 241356 | 1 | DOWTYSEAL 1/2" |
| 5 | 284791 | 1 | HOSE HY X 1/2 X 21.5"STR+ELB |
| 6 | 421002 | 1 | BOLT HEX 8.8 DEL M10X30 FT DIN933 |
| 7 | 430393 | 1 | BOLT HEX 8.8 RAW M12X50 |
| 8 | 430930 | 1 | BOLT HEX 8.8 DEL M24X70 |
| 9 | 430947 | 1 | BOLT HEX 8.8 DEL M12X210 |
| 10 | 460423 | 1 | NUT HEX M10X1.50 LOCK DIN985A2 SS |
| 11 | 460703 | 1 | NUT HEX M12X1.75 LOCK DIN985A2 SS |
| 12 | 460747 | 1 | NUT HEX M24 LOCK |
| 13 | 461244 | 1 | NUT HEX M24X3 JAMB. |
| 14 | 781137 | 1 | HYDRAULIC SHOCK NCM6600 SUSP. |
| 15 | 16110704 | 1 | PLATE 10 X 250 X 165 |
| 16 | 16110804 | 1 | PLATE 8 X 70 X 55 |
| 17 | 21000904 | 1 | BEARING TEFLON 50/52 |
| 18 | 28045703 | 1 | HUB ASSY 10-13.19-11.02 25000# |
| 19 | 28059400 | 1 | ACCUMULATOR NCM6600 SUSPENSION |
| 20 | 61021704 | 1 | PIN SUSP.AND DRAWBAR NCM 9000 |
| 21 | 61021804 | 1 | PIN HYD.SUSP.BOTTOM NCM 9000 |
| 22 | 61021904 | 1 | PIN HYD.SUSP.TOP NCM 9000 |
| 23 | 63033703 | 1 | AXLE INSERT NCM 44/66/9000 |
| 24 | 63040404 | 1 | AXLE SUS. 72-90 ADJ. NCM 10000 |
| 24 | 63043304 | 1 | AXLE SUS. 120" FIXED NCM 10000 |



K0110

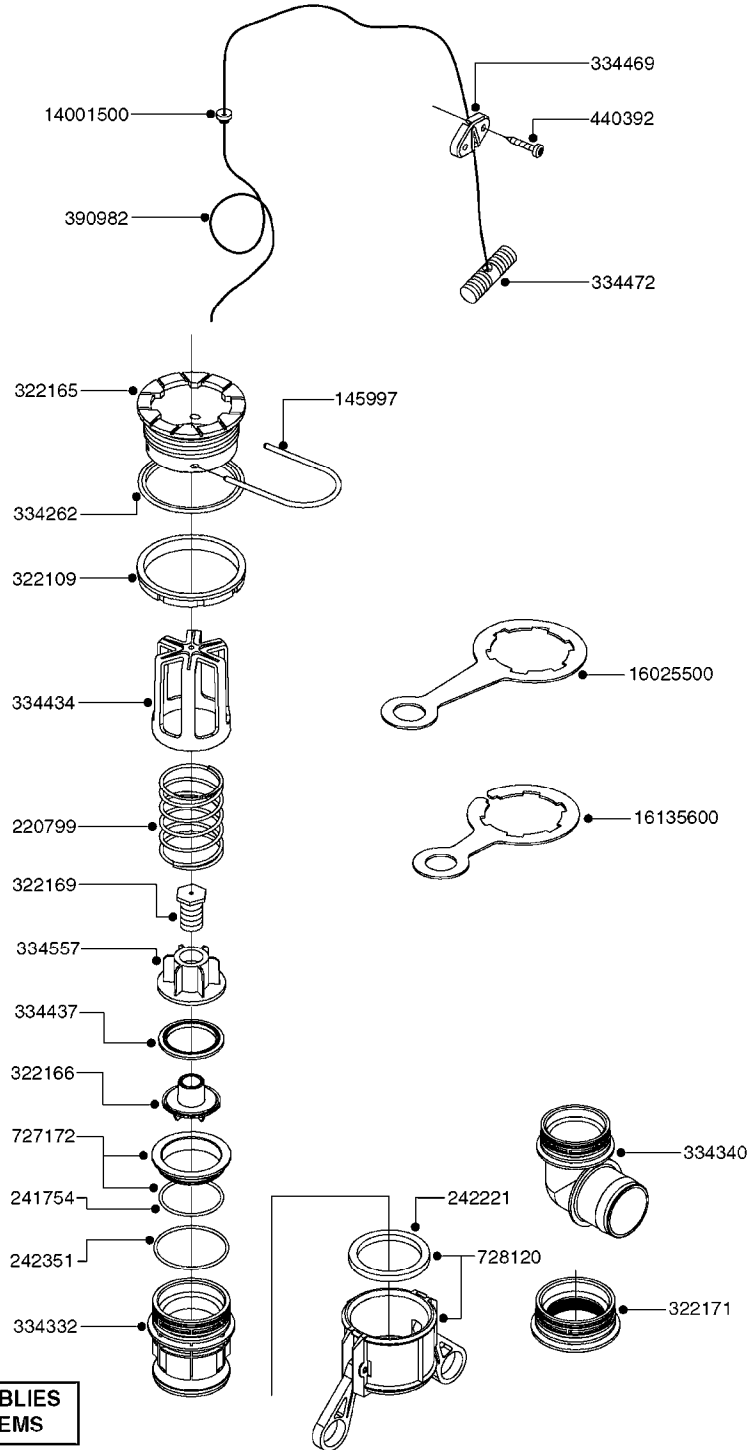


CHEMICAL FILLER-HOPPER NCM
K0110-HIN, 28:11:17

Page 1

Date 07.02.2020 10:26

| Pos. | parts-n° | order qty | description |
|------|----------|-----------|-----------------------------------|
| 1 | 145996 | 1 | FITT.DK S-67 FORK |
| 2 | 151162 | 1 | PIN F. LID HINGE CHEM-FILLER |
| 3 | 220949 | 1 | SPRING Ø20.0/3.0 L=240 BLACK |
| 4 | 220951 | 1 | SPRING D15/1.5 L=90 20V |
| 5 | 242355 | 1 | O-RING D19.2X3.0 VITON F.S-40 |
| 6 | 242563 | 1 | NEOPRENE SEAL 10X10 |
| 7 | 320084 | 1 | FITT.DK NUT 1/2" BSP |
| 8 | 320563 | 1 | FITT.DK 3 WAY 1/2" 110 DEG. |
| 9 | 320655 | 1 | FITT.DK HN 1/2"-1/2" BSP |
| 10 | 321307 | 1 | FITT.DK NUT 1/2" BSP JAMB |
| 11 | 322102 | 1 | FITT.DK S-40 BULKHEAD |
| 12 | 322106 | 1 | FITT.DK S-40 BULKHEAD NUT |
| 13 | 322108 | 1 | FITT.DK S-67 BULKHEAD NUT |
| 14 | 334237 | 1 | FITT.DK S-40 ELB.3/8" |
| 15 | 334259 | 1 | GASKET F. S-40 BULKHEAD |
| 16 | 351769 | 1 | HOPPER FOR CHEMFILLER |
| 17 | 351770 | 1 | LID F. TURBO FILL NCM |
| 18 | 371552 | 1 | NOZZLE F.RINSING |
| 19 | 372044 | 1 | NOZZLE FOR CHEMFILLER |
| 20 | 410185 | 1 | BOLT HEX 8.8 DEL M6X16 |
| 21 | 420604 | 1 | BOLT HEX 8.8 DEL M10X25 FT DIN933 |
| 22 | 421046 | 1 | BOLT HEX M8X25/25 A2 SS DIN933 |
| 23 | 440392 | 1 | SCREW 6.3 X 25.0 DIN7981C TORX |
| 24 | 440632 | 1 | SCREW M4X13 |
| 25 | 451070 | 1 | CARRIAGE BOLT M12X30 |
| 26 | 460143 | 1 | SELF LOCK NUT M8 SST A2 DIN985 |
| 27 | 460423 | 1 | NUT HEX M10X1.50 LOCK DIN985A2 SS |
| 28 | 460703 | 1 | NUT HEX M12X1.75 LOCK DIN985A2 SS |
| 29 | 471140 | 1 | WASHER D30/D10.5X2.5 STAINLESS |
| 30 | 480798 | 1 | ROLL PIN D3X30 DIN1481 RST |
| 31 | 726464 | 1 | FITT.DK S-67 BULKHEAD W/GASKET |
| 32 | 726552 | 1 | FIT.DK S-53X90 1/2" BSP,O-RING |
| 33 | 727543 | 1 | VALVE F.CHEM FILL JUG RINSE |
| 34 | 741830 | 1 | BUSHINGS F.PARALLELARMS |
| 35 | 14036900 | 1 | HAND GRIP FOR CHEMFILLER |
| 36 | 16137400 | 1 | PLATE BACK F. CHEM-FILL NCM |
| 37 | 16137700 | 1 | GUIDE BRACKET F.CHEMFILL LOCK |
| 38 | 16138100 | 1 | SUPPORT FOR CONSOLE |
| 39 | 16149500 | 1 | HOOK LATCH F.CHEMFILL'05 |
| 40 | 24022901 | 1 | GASKET D10X19 EP 3.2 |
| 41 | 28029803 | 1 | CLAMP HOSE GEAR P1/2" 6708 |
| 42 | 28054500 | 1 | ANGLE HOSE BARB 90 1/2 10MM |
| 43 | 28055800 | 1 | LOCK (SNAP CLIP) SS |
| 44 | 61038200 | 1 | HANDLE F.CHEMFILL LOCK '05 |
| 45 | 63035000 | 1 | MOUNT.BRACKET F.CHEMFILL RIGHT |
| 46 | 63035100 | 1 | MOUNT.BRACKET F.CHEMFILL LEFT |
| 47 | 63035200 | 1 | MT.BRACKET F.PARALLELARMS LEFT |
| 48 | 63035300 | 1 | MT.BRACKET F.PARALLELARMS RIGHT |
| 49 | 63040700 | 1 | INNER ARM F.CHEMFILL LEFT |
| 50 | 63040800 | 1 | INNER ARM F.CHEMFILL RIGHT |
| 51 | 63040900 | 1 | OUTER ARM F.CHEMFILL LEFT |
| 52 | 63041000 | 1 | OUTER ARM F.CHEMFILL RIGHT |
| 53 | 63041300 | 1 | RINSE PIPE F. CHEM-FILLER |
| 54 | 72246800 | 1 | VALVE 1/2" 2 POSITION |
| 55 | 72339500 | 1 | AIR VALVE F.CHEMFILLER |
| 56 | 72726900 | 1 | CHECK VALVE F.CHEMFILLER |



727617 - COMPLETE ASSEMBLY (2" BSP THREADED FITTING & 126" CORD)
727742 - COMPLETE ASSEMBLY (2-1/2" ELBOW & 157.5" CORD)

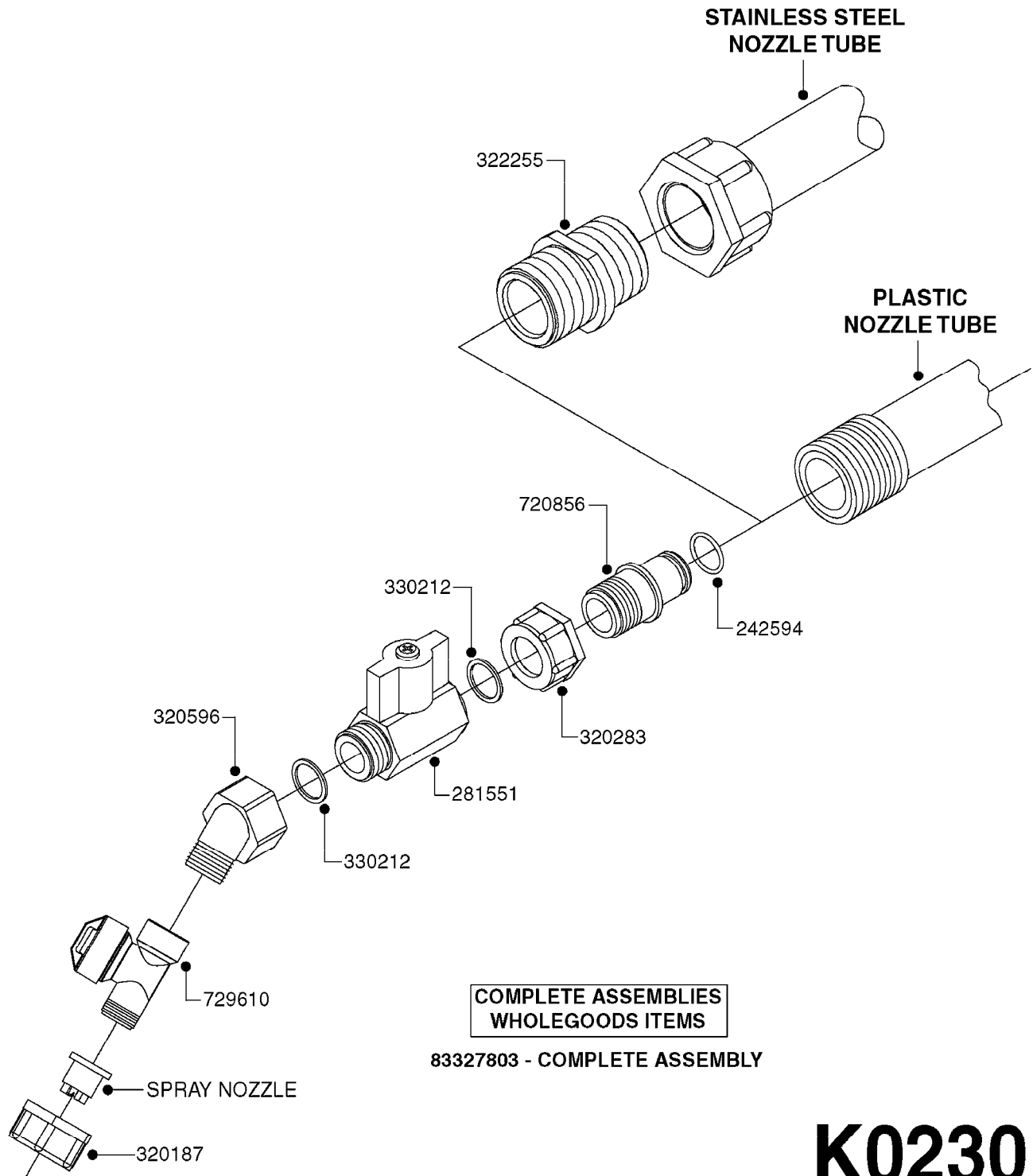
K0180



DRAIN ASSEMBLY-PULL CORD TYPE
K0180-HIN, 01:01:16

Page 1
Date 07.02.2020 10:26

| parts-n° | order qty | description |
|----------|-----------|--------------------------------|
| 145997 | 1 | FITT.DK S-93 FORK |
| 220799 | 1 | SPRING F.TOP DRAIN |
| 241754 | 1 | O-RING D59.5X3 |
| 242221 | 1 | GASKET F. S-93 QUICK COUPLERS |
| 242351 | 1 | O-RING D69.5X3.0 VITON F.S-93 |
| 322109 | 1 | FITT.DK S-93 BULKHEAD NUT |
| 322165 | 1 | FITT.DK S-93 BULKHEAD SINGLE |
| 322166 | 1 | VALVE FLAP LOWER PART |
| 322169 | 1 | CORD PLUG F.TOP DRAIN |
| 322171 | 1 | FITT.DK S-93 THREAD INS.2"BSP |
| 334262 | 1 | GASKET F.S-93 BULKHEAD |
| 334332 | 1 | FITT.DK S-93 MALE QUICK COUP. |
| 334340 | 1 | FITT.DK S-93 ELBOW 2.5" |
| 334434 | 1 | CAGE F.SPRING BOTTOM DRAIN ASY |
| 334437 | 1 | SEAL FOR VALVE FLAP |
| 334469 | 1 | CLEVIS F.CORD TOP DRAIN ASSY. |
| 334472 | 1 | HANDLE FOR TOP DRAIN |
| 334557 | 1 | SPRING SEAT TOP DRAIN |
| 390982 | 1 | CORD NYLON 4000MM |
| 440392 | 1 | SCREW 6.3 X 25.0 DIN7981C TORX |
| 727172 | 1 | FITT.DK S-93 SEAT INSERT |
| 727617 | 1 | FITT.DK S-93 BOTTOM VALVE 2' |
| 727742 | 1 | TOP DRAIN CORD TYPE |
| 728120 | 1 | QUICK COUPLER CAP F.S93 DRAIN |
| 14001500 | 1 | GROMMET F.TOP DRAIN CORD |
| 16025500 | 1 | TANK SPACER SIGHT GAUGE |
| 16135600 | 1 | GUIDE FOR SIGHT GAUGE NAV/NCM |



K0230

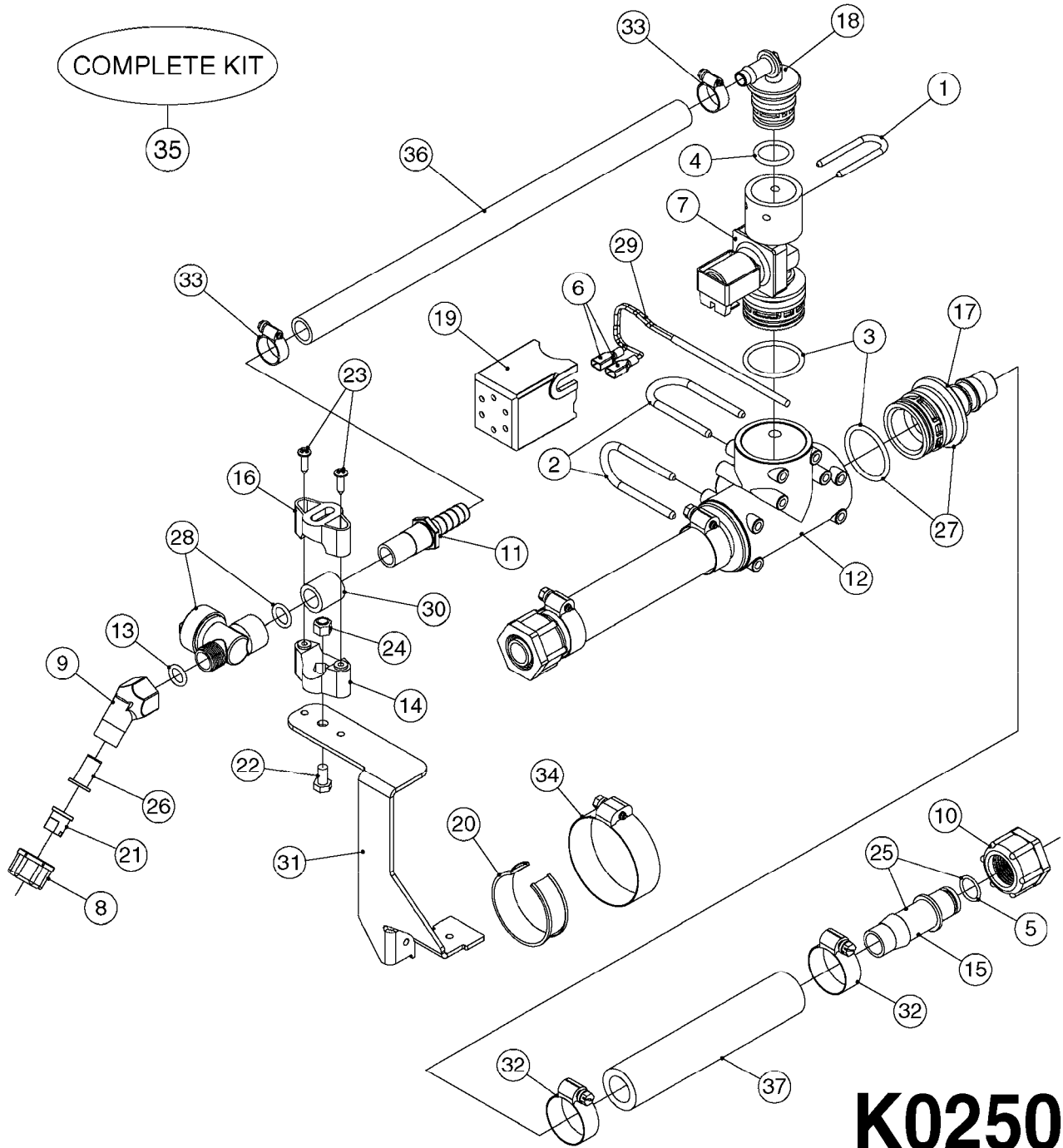


END NOZZLE KIT
K0230-HIN, 01:01:16

Page 1

Date 07.02.2020 10:26

| parts-n° | order qty | description |
|----------|-----------|--------------------------------|
| 242594 | 1 | O-RING D14 X 1.78 SCH.70-EPDM |
| 281551 | 1 | BALL VALVE 1/2" |
| 320187 | 1 | FITT.DK CAP 3/8" BSP BLACK |
| 320283 | 1 | FITT.DK NUT 3/4"BSP |
| 320596 | 1 | FITT.DK ELB 3/8'-1/2'BSP 45DEG |
| 322255 | 1 | FITT.DK NIPPLE 3/4"X 3/4" |
| 330212 | 1 | O-RING D19/D14X2.4 F.1/2"NUT |
| 720856 | 1 | FITT.DK 1/2'BSP ASSY.F.3/4'NUT |
| 729610 | 1 | NOZZLE ASSY. NON DRIP 3/8 THRD |
| 83327803 | 1 | END NOZZLE KIT "04" |



K0250



ELECTRIC END NOZZLE KIT '09
K0250-HIN, 01:01:16

Page 1
Date 07.02.2020 10:26

| Pos. | parts-n° | order qty | description |
|------|----------|-----------|-----------------------------------|
| 1 | 145994 | 1 | FITT.DK S-40 FORK |
| 2 | 145995 | 1 | FITT.DK S-53 FORK |
| 3 | 242354 | 1 | O-RING D32.2X3.0 VITON |
| 4 | 242355 | 1 | O-RING D19.2X3.0 VITON F.S-40 |
| 5 | 242594 | 1 | O-RING D14 X 1.78 SCH.70-EPDM |
| 6 | 261539 | 1 | SPADE F.ELEC CONNEX BLUE INSUL |
| 7 | 262104 | 1 | VALVE, SOLENOID, S53/S40 |
| 8 | 320187 | 1 | FITT.DK CAP 3/8" BSP BLACK |
| 9 | 320191 | 1 | FITT.DK ELB 3/8' BSP 45 DEGREE |
| 10 | 320283 | 1 | FITT.DK NUT 3/4"BSP |
| 11 | 320891 | 1 | FITT.DK HB 3/8'- 3/8' BSP |
| 12 | 322352 | 1 | FITT.DK S-53 TEE |
| 13 | 330013 | 1 | O-RING 2.5 X 10 PUR |
| 14 | 333012 | 1 | NOZZLE HOLD. UPPER PART |
| 15 | 334044 | 1 | FITT.DK HB 3/4' F. 3/4' CAP |
| 16 | 334220 | 1 | YOKE, UPPER NOZZLE BODY |
| 17 | 334229 | 1 | FITT.DK S-53 STR.3/4" |
| 18 | 334237 | 1 | FITT.DK S-40 ELB.3/8" |
| 19 | 334965 | 1 | COVER FOR S53 SOLENOID VALVE |
| 20 | 341291 | 1 | RUBBER HOSE CLAMP COVER 130MM |
| 21 | 370392 | 1 | NOZZLE END FAN 1850-G 300 |
| 22 | 410546 | 1 | BOLT HEX M6X12 A2 SS DIN933 |
| 23 | 440665 | 1 | SCREW M4.2X16 STAINLESS |
| 24 | 460261 | 1 | NUT HEX M6X1.00 LOCK DIN985 A2 SS |
| 25 | 724621 | 1 | FITT.DK HB 3/4"ASSY F.3/4" NUT |
| 26 | 725042 | 1 | SCREEN 80 MESH W.GASKET, RED |
| 27 | 726558 | 1 | FITT.DK S53 STR. 3/4" W. ORING |
| 28 | 729610 | 1 | NOZZLE ASSY. NON DRIP 3/8 THRD |
| 29 | 983087 | 1 | ELEC. CABLE 2 WIRE X 0.75MM |
| 30 | 10631003 | 1 | HOSE R X CLEAR BRAID.X 1/2 12" |
| 31 | 16110803 | 1 | NOZZLE BRACKET VAR SPACINGS |
| 32 | 28029903 | 1 | CLAMP HOSE GEAR P3/4"-S1" 6712 |
| 33 | 28044903 | 1 | CLAMP HOSE GEAR P3/8" 6706 |
| 34 | 28047003 | 1 | CLAMP HOSE GEAR 30 X 50 6732 |
| 35 | 82613203 | 1 | ELECTRIC END NOZZLE KIT 2009 |
| 36 | 92701703 | 1 | HOSE R X3/8" X300PSI WP X0012" |
| 37 | 92703203 | 1 | HOSE R X3/4" X300PSI WP X0012" |



COMPLETE KIT NO
LONGER AVAILABLE.
FOR '09 KIT
SEE PAGE

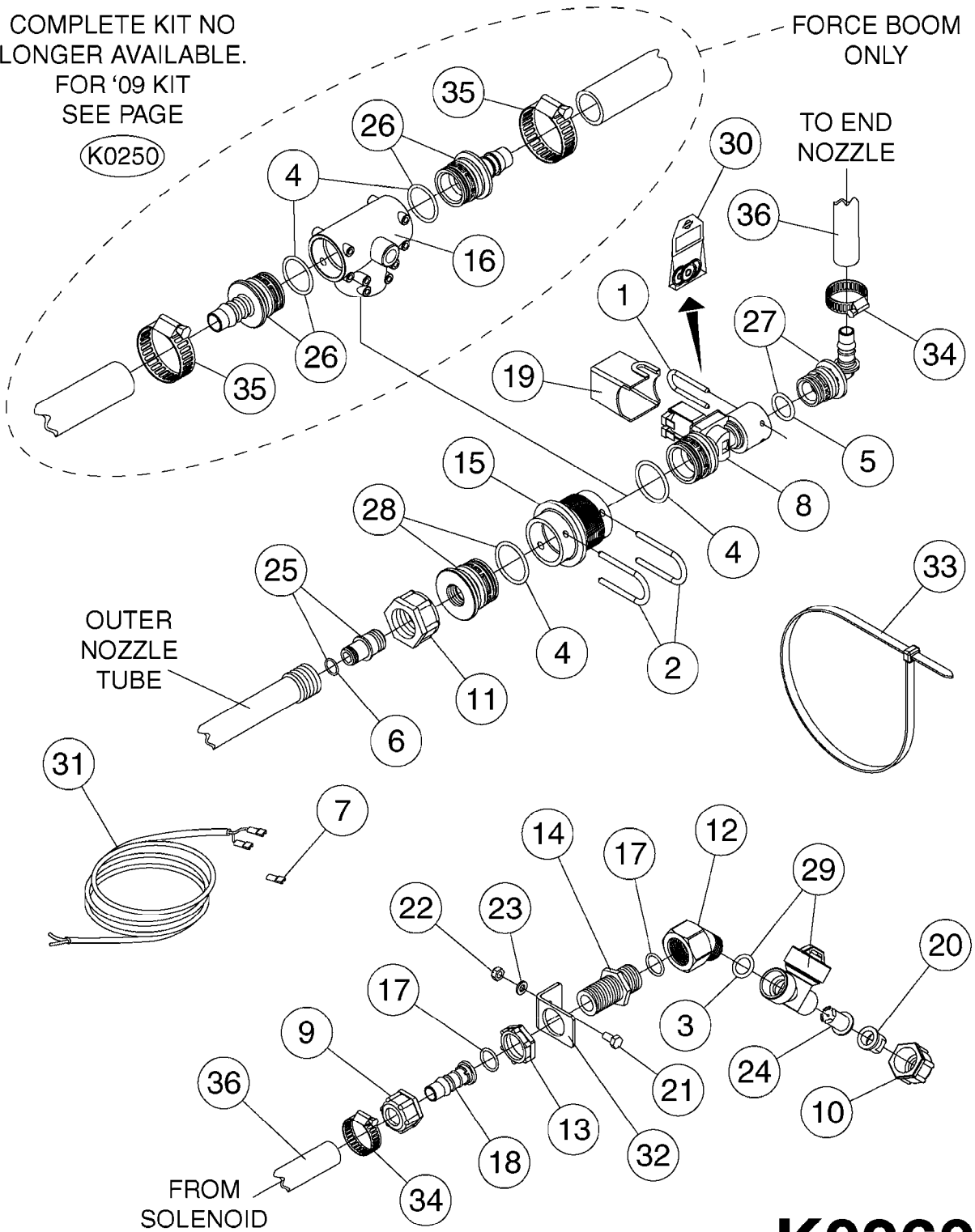
(K0250)

FORCE BOOM
ONLY

TO END
NOZZLE

OUTER
NOZZLE
TUBE

FROM
SOLENOID
ASSEMBLY



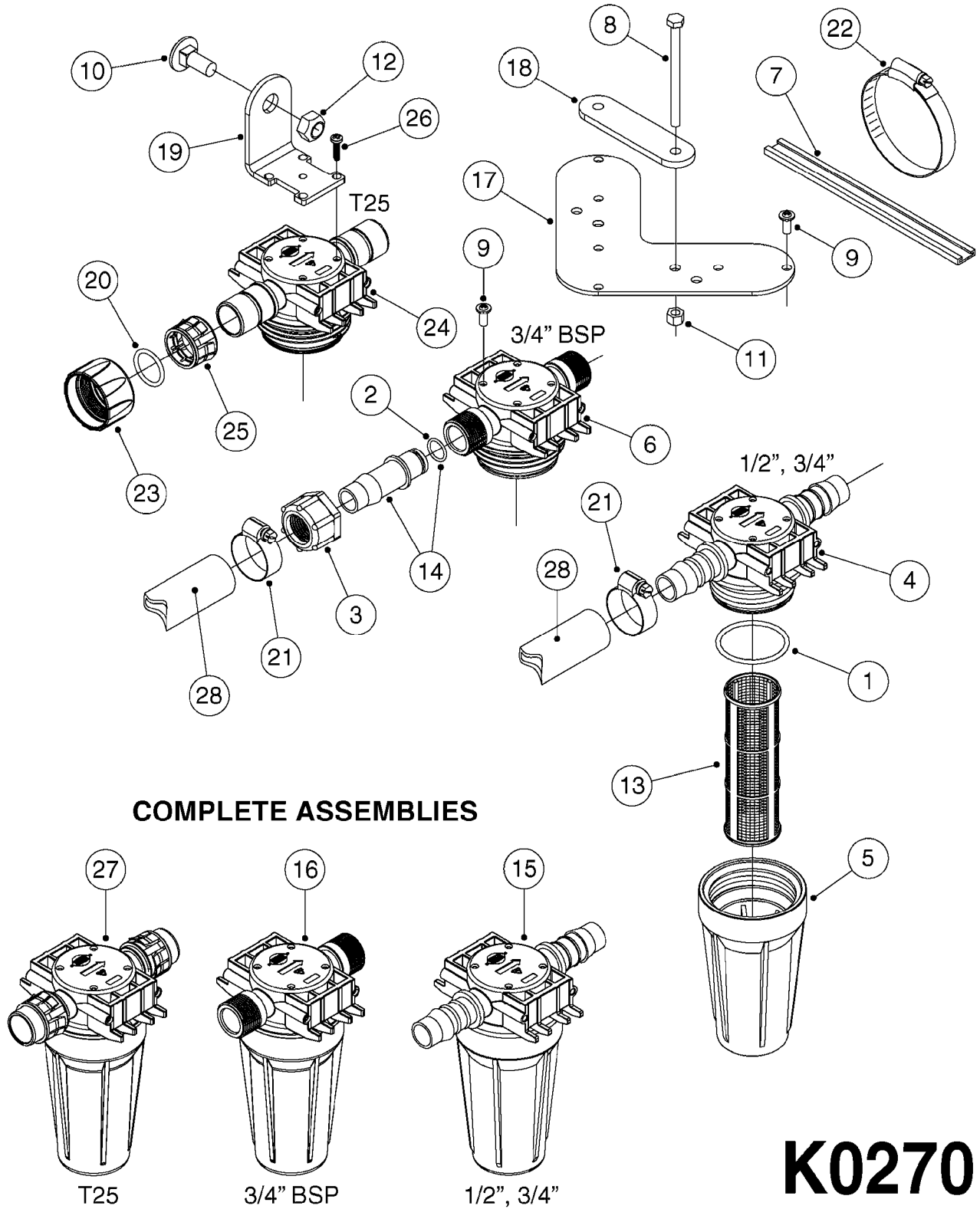
K0260



ELECTRIC END NOZZLE KIT '12
K0260-HIN, 01:01:16

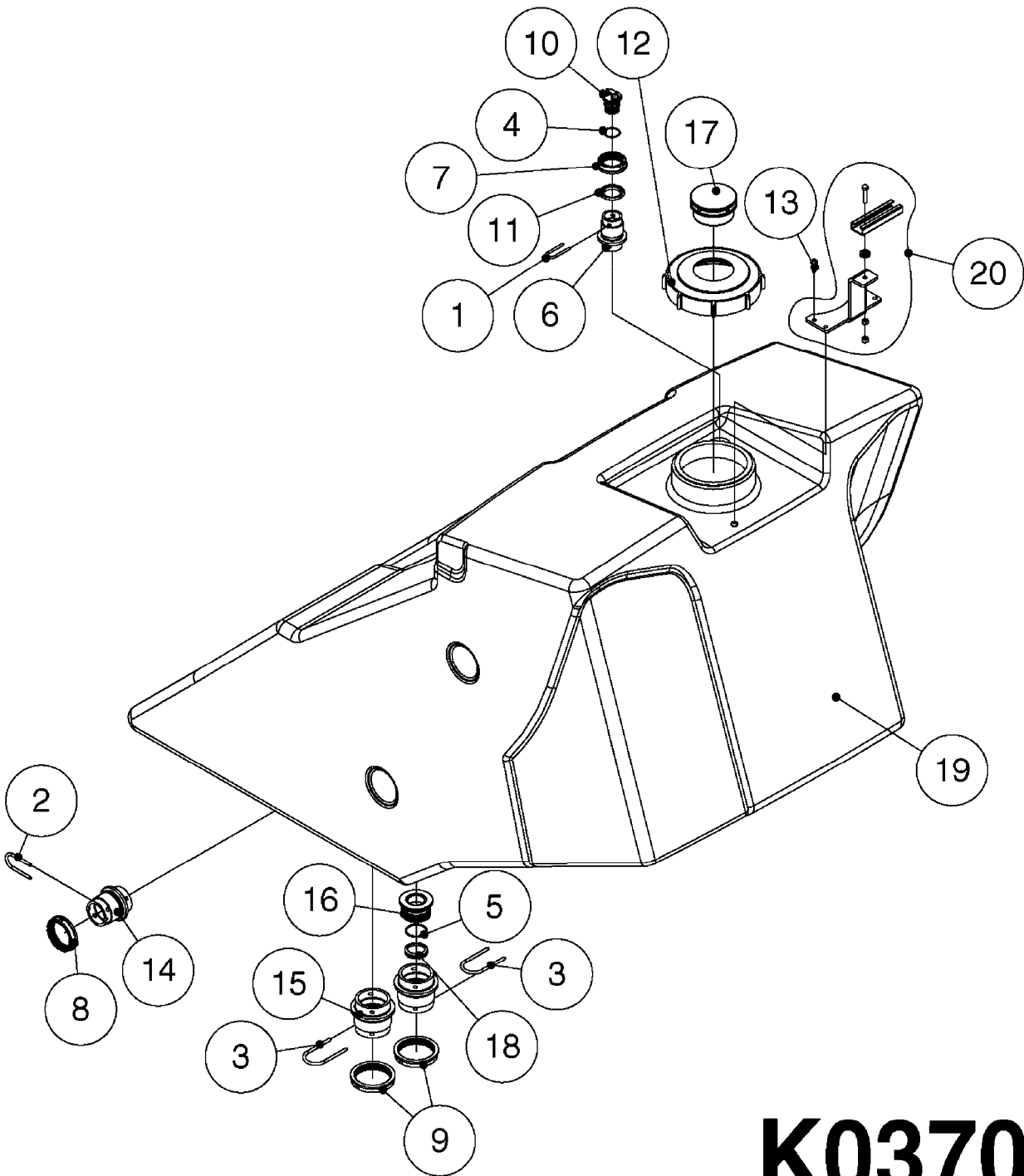
Page 1
Date 07.02.2020 10:26

| Pos. | parts-n° | order qty | description |
|------|----------|-----------|---|
| 1 | 145994 | 1 | FITT.DK S-40 FORK |
| 2 | 145995 | 1 | FITT.DK S-53 FORK |
| 3 | 240177 | 1 | O-RING D16.1/11.3 X 2.4 |
| 4 | 242354 | 1 | O-RING D32.2X3.0 VITON |
| 5 | 242355 | 1 | O-RING D19.2X3.0 VITON F.S-40 |
| 6 | 242594 | 1 | O-RING D14 X 1.78 SCH.70-EPDM |
| 7 | 261539 | 1 | SPADE F.ELEC CONNec BLUE INSUL |
| 8 | 262104 | 1 | VALVE, SOLENOID, S53/S40 |
| 9 | 320084 | 1 | FITT.DK NUT 1/2" BSP |
| 10 | 320187 | 1 | FITT.DK CAP 3/8" BSP BLACK |
| 11 | 320283 | 1 | FITT.DK NUT 3/4"BSP |
| 12 | 320596 | 1 | FITT.DK ELB 3/8'-1/2'BSP 45DEG |
| 13 | 321307 | 1 | FITT.DK NUT 1/2" BSP JAMB |
| 14 | 321742 | 1 | FITT.DK BULKHEAD 1/2' BSP |
| 15 | 322103 | 1 | FITT.DK S-53 BULKHEAD |
| 16 | 322352 | 1 | FITT.DK S-53 TEE |
| 17 | 330212 | 1 | O-RING D19/D14X2.4 F.1/2"NUT |
| 18 | 330687 | 1 | FITT.DK HB 1/2" F. 1/2" NUT |
| 19 | 334965 | 1 | COVER FOR S53 SOLENOID VALVE |
| 20 | 370366 | 1 | OFF-CENTER FLAT SPRAY NOZZLE, 1850 - G150 |
| 21 | 410185 | 1 | BOLT HEX 8.8 DEL M6X16 |
| 22 | 460261 | 1 | NUT HEX M6X1.00 LOCK DIN985 A2 SS |
| 23 | 471125 | 1 | WASHER M6U 6.4X14X1.2,A2 SS |
| 24 | 614366 | 1 | FILTER 50 MESH F.NOZZLE BLUE |
| 24 | 614367 | 1 | FILTER 80 MESH F.NOZZLE RED |
| 24 | 614368 | 1 | FILTER 100 MESH F.NOZZLE YEL. |
| 25 | 720856 | 1 | FITT.DK 1/2'BSP ASSY.F.3/4'NUT |
| 26 | 726558 | 1 | FITT.DK S53 STR. 3/4" W.ORING |
| 27 | 726567 | 1 | FITT.DK S-40 ELB.1/2" W.O-RING |
| 28 | 726694 | 1 | PLUG,S53,1/2"FBSP THD W.ORING |
| 29 | 729610 | 1 | NOZZLE ASSY. NON DRIP 3/8 THRD |
| 30 | 750722 | 1 | REPAIR KIT FOR 3S SC CONTROL |
| 31 | 983087 | 1 | ELEC. CABLE 2 WIRE X 0.75MM |
| 32 | 16180100 | 1 | PLATE, END ROW NOZZLE |
| 33 | 28025203 | 1 | TIE STRAP L=23" x W=1/2" |
| 34 | 28029803 | 1 | CLAMP HOSE GEAR P1/2" 6708 |
| 35 | 28029903 | 1 | CLAMP HOSE GEAR P3/4"-S1" 6712 |
| 36 | 92702103 | 1 | HOSE R X1/2" X300PSI WP X0012" |





| Pos. | parts-n° | order qty | description |
|------|----------|-----------|-----------------------------------|
| 1 | 240925 | 1 | O-RING D49.5X3 NITRIL |
| 2 | 242594 | 1 | O-RING D14 X 1.78 SCH.70-EPDM |
| 3 | 320283 | 1 | FITT.DK NUT 3/4"BSP |
| 4 | 322241 | 1 | FILTER HOUSING W.3/4' BARBS |
| 4 | 322249 | 1 | FILTER HOUSING W.1/2' BARBS |
| 5 | 322242 | 1 | FILTER BOWL / IN-LINE |
| 6 | 322250 | 1 | FILTER HOUSING W.3/4"BSP THRD |
| 7 | 341291 | 1 | RUBBER HOSE CLAMP COVER 130MM |
| 7 | 341292 | 1 | RUBBER HOSE CLAMP COVER 180MM |
| 8 | 410605 | 1 | BOLT HEX 8.8 DEL M6X80 |
| 9 | 440673 | 1 | SCREW F.PLASTIC 5X12 SS |
| 10 | 440737 | 1 | BOLT CARRIAGE M10x25 SS |
| 11 | 460261 | 1 | NUT HEX M6X1.00 LOCK DIN985 A2 SS |
| 12 | 460423 | 1 | NUT HEX M10X1.50 LOCK DIN985A2 SS |
| 13 | 615443 | 1 | FILTER ELEM.50 MESH BLUE |
| 13 | 615444 | 1 | FILTER ELEM.80 MESH RED |
| 13 | 615445 | 1 | FILTER ELEM.100 MESH YELLOW |
| 14 | 716236 | 1 | FITT.DK HB 1/2" ASSY. F. 3/4" |
| 14 | 724621 | 1 | FITT.DK HB 3/4"ASSY F.3/4" NUT |
| 15 | 845205 | 1 | FILTER IN-LINE 1/2' 50 MESH |
| 15 | 845208 | 1 | FILTER IN-LINE 3/4' 50 MESH |
| 15 | 845209 | 1 | FILTER IN-LINE 3/4' 80 MESH |
| 15 | 845210 | 1 | FILTER IN-LINE 3/4" 100 MESH |
| 16 | 845218 | 1 | FILTER IN-LINE 3/4'50 MESH OML |
| 16 | 845219 | 1 | FILTER IN-LINE 3/4'80 MESH OML |
| 17 | 16022203 | 1 | PLATE 3.0 X 55 X 196 |
| 18 | 16022403 | 1 | BRACKET 60MM TUBE |
| 19 | 16321500 | 1 | LINE FILTER BRACKET, TDZ/DDZ |
| 20 | 24263000 | 1 | O-RING Ø24.4 X 3.1 NITRIL SH70 |
| 21 | 28029903 | 1 | CLAMP HOSE GEAR P3/4"-S1" 6712 |
| 22 | 28047103 | 1 | CLAMP HOSE GEAR 50 X 50 6740 |
| 22 | 28047203 | 1 | CLAMP HOSE GEAR 60 X 80 6756 |
| 23 | 32239700 | 1 | FITT.DK NUT T25 |
| 24 | 32239800 | 1 | FITT.DK IN-LINE FILTER TOP T25 |
| 25 | 33515500 | 1 | FITT.DK NUT LOCK RING T25 |
| 26 | 44076200 | 1 | SCREW WN5451 5X16 SS TORX |
| 27 | 72700600 | 1 | FILTER IN-LINE 80 MESH, T25 |
| 28 | 92702103 | 1 | HOSE R X1/2" X300PSI WP X0012" |
| 28 | 92703203 | 1 | HOSE R X3/4" X300PSI WP X0012" |



K0370

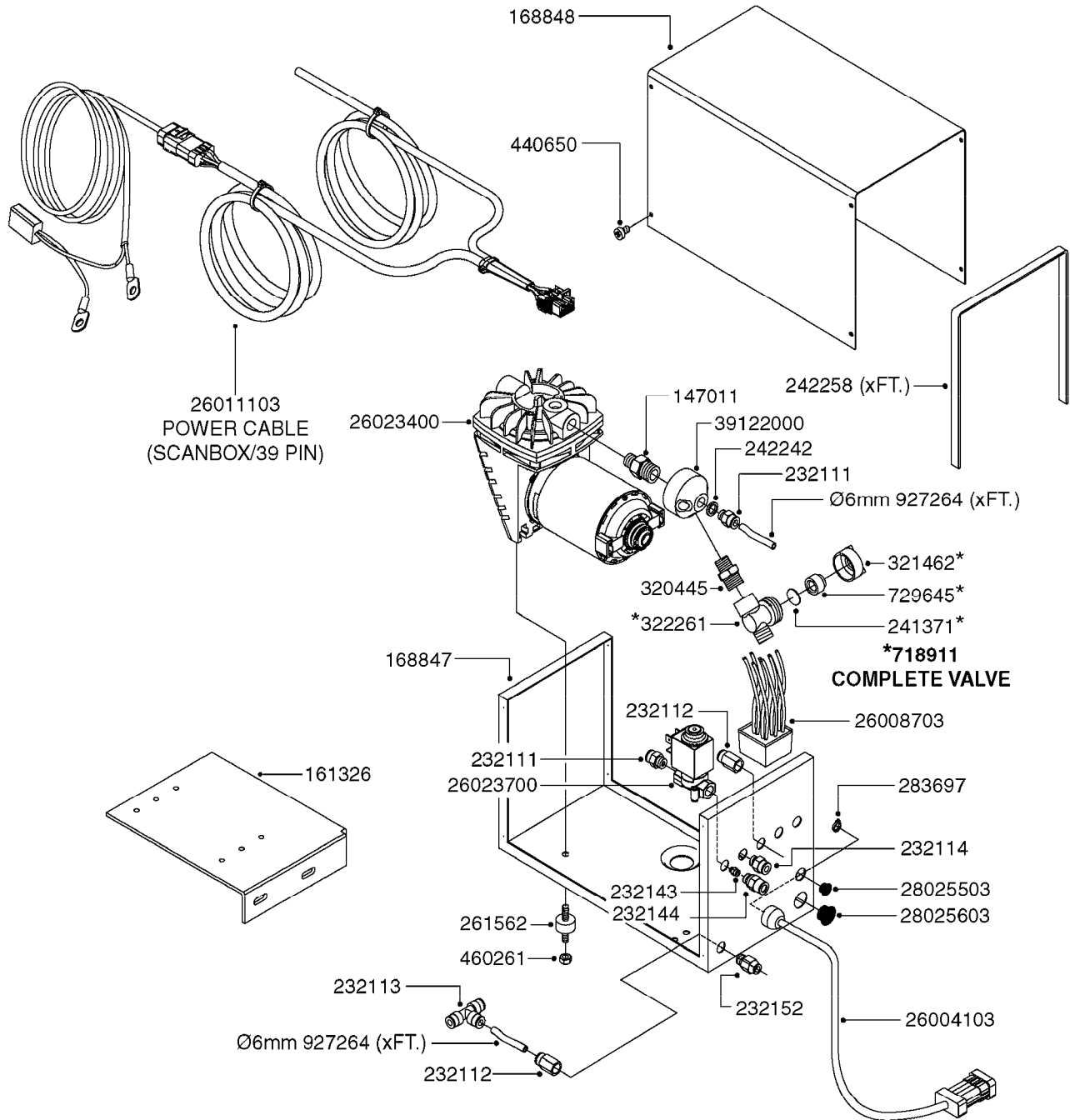


FLUSH SYSTEM - NCM/NAVIGATOR
K0370-HIN, 01:01:16

Page 1

Date 07.02.2020 10:26

| Pos. | parts-n° | order qty | description |
|------|----------|-----------|-------------------------------------|
| 1 | 145994 | 1 | FITT.DK S-40 FORK |
| 2 | 145995 | 1 | FITT.DK S-53 FORK |
| 3 | 145996 | 1 | FITT.DK S-67 FORK |
| 4 | 242355 | 1 | O-RING D19.2X3.0 VITON F.S-40 |
| 5 | 242504 | 1 | O-RING D35x2 NITRIL |
| 6 | 322102 | 1 | FITT.DK S-40 BULKHEAD |
| 7 | 322106 | 1 | FITT.DK S-40 BULKHEAD NUT |
| 8 | 322107 | 1 | FITT.DK S-53 BULKHEAD NUT |
| 9 | 322108 | 1 | FITT.DK S-67 BULKHEAD NUT |
| 10 | 334248 | 1 | FITT.DK S-40 PLUG |
| 11 | 334259 | 1 | GASKET F. S-40 BULKHEAD |
| 12 | 390847 | 1 | LID F. RINSE TANK CM |
| 13 | 440392 | 1 | SCREW 6.3 X 25.0 DIN7981C TORX |
| 14 | 726463 | 1 | FITT.DK S53 BULKHEAD W/GASKET |
| 15 | 726464 | 1 | FITT.DK S-67 BULKHEAD W/GASKET |
| 16 | 726695 | 1 | FITTING S67 - BSP 1" + O-RING |
| 17 | 727038 | 1 | VENT F.TANK (FAST FILL) |
| 18 | 14014400 | 1 | SEAT F.CHECK VALVE D41.8 S67 |
| 19 | 72285500 | 1 | RINSE TANK 120G. W/FITTINGS NCM/NAV |
| 20 | 72348600 | 1 | HOSE MT. BKT NCM FLUSH TANK |



K0400

*Ø8mm 927306 (xFT.)
*Ø10mm 927330 (xFT.)

70062503 - COMPLETE ASSEMBLY



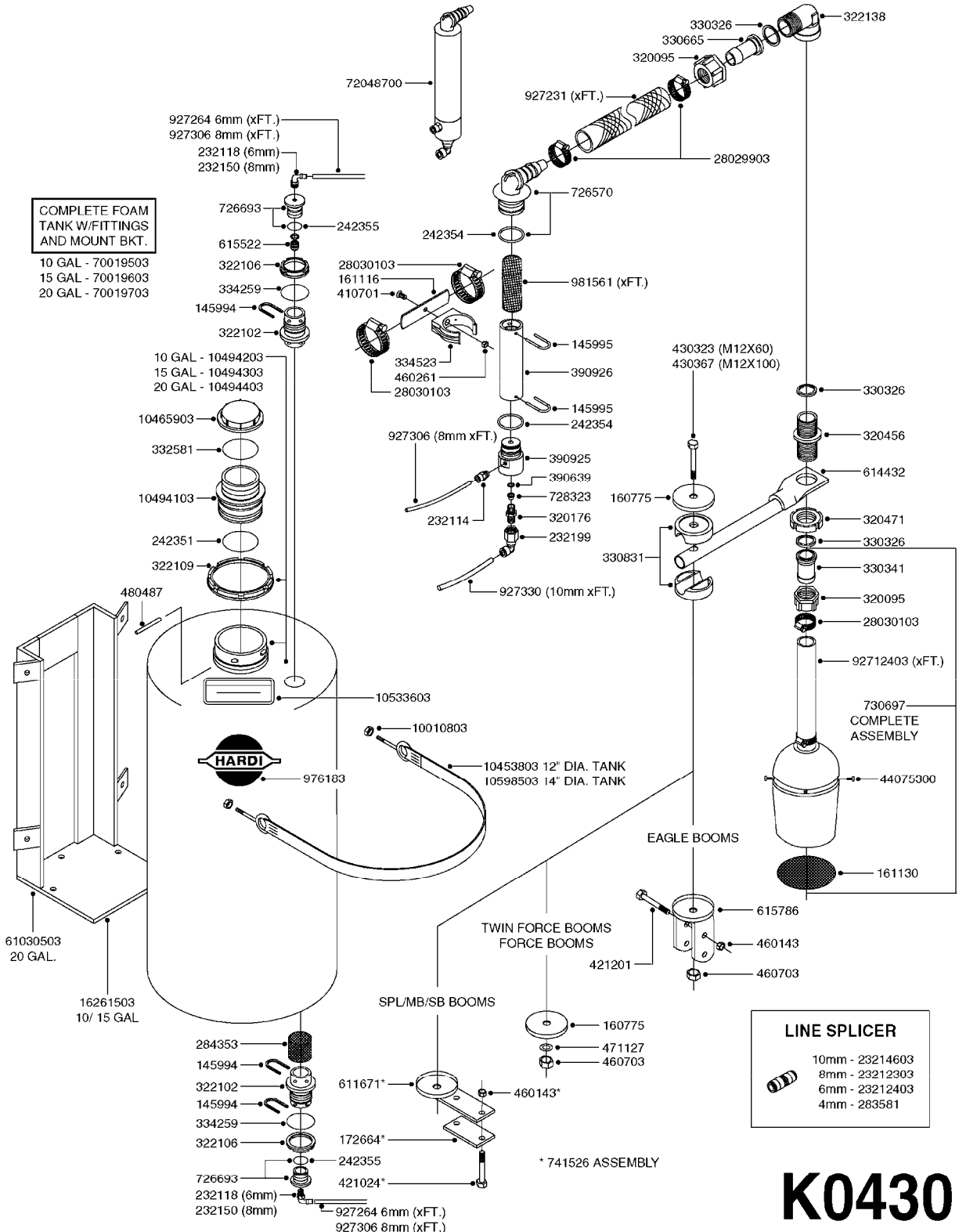
FOAM MARKER COMPRESSOR 2007
K0400-HIN, 01:01:16

Page 1
Date 07.02.2020 10:26

| parts-n° | order qty | description |
|----------|-----------|-----------------------------------|
| 147011 | 1 | HEX NIPPLE 3/8'X1/4'BSP BRASS |
| 161326 | 1 | MOUNT BKT. F. FOAM COMP.BOX 98 |
| 168847 | 1 | ENCLOSURE LOWER F.MARKER |
| 168848 | 1 | COVER F. FOAM MARKER |
| 232111 | 1 | QUICK COUPLER 6MM X 1/8 EXT. |
| 232112 | 1 | QUICK COUPLER 6MM 1/8 INT. |
| 232113 | 1 | QUICK COUPLER 6MM T-PIECE |
| 232114 | 1 | COUPLER 1/8" THREADX8MM HOSE |
| 232143 | 1 | REDUCER 1/4'INT-1/8'EXT |
| 232144 | 1 | QUICK COUPLER 10MM X 1/4 EXT |
| 232152 | 1 | QUICK COUPLER 8MMX1/8 EXT.LONG |
| 241371 | 1 | DIAPHRAGM F.NO-DRIP,VULC |
| 242242 | 1 | O-RING F.AIR HOSE FITTING |
| 242258 | 1 | TRIM 3X10 SELF ADHESIVE 0012" |
| 261562 | 1 | RUBBER DAMPER 2XM6X25 |
| 283697 | 1 | TIESTRAP 200MM |
| 320445 | 1 | FITT.DK HN 1/4"X3/8" BSP |
| 321462 | 1 | CAP F.NO-DRIP ASSY. |
| 322261 | 1 | HOUSING F.SAFETY VALVE 3/8" |
| 440650 | 1 | SCREW 3.5x13 STAINLESS |
| 460261 | 1 | NUT HEX M6X1.00 LOCK DIN985 A2 SS |
| 718911 | 1 | VALVE (SAFETY) F.MARKER |
| 729645 | 1 | NON-DRIP SPRING ASSY.GREEN 10 |
| 927264 | 1 | HOSE R X PE D6/D4 X 0012" |
| 927306 | 1 | HOSE R X PE D8/D6 X 0012"BLACK |
| 927330 | 1 | HOSE R X PE D10/D8 X 012"BLACK |
| 26004103 | 1 | FOAM MARKER CNTRL MOD CABL STD |
| 26008703 | 1 | FOAM MARKER CONTROL SCII |
| 26011103 | 1 | FOAMER POWER/CONTROL CABLE 39P |
| 26023400 | 1 | COMPRESSOR F.FOAM MARKER CM40 |
| 26023700 | 1 | SOLENOID VAL 12V 1/8' FLO '07 |
| 28025503 | 1 | PLUG F.DRILLED HOLE 1/2" |
| 28025603 | 1 | PLUG F.DRILLED HOLE 3/4" |
| 39122000 | 1 | DISTR.HOUSING F.FOAM MARKER'07 |
| 70062503 | 1 | FOAM MARKER COMPRESSOR,STD,39P |



COMPLETE FOAM TANK W/FITTINGS AND MOUNT BKT.
10 GAL - 70019503
15 GAL - 70019603
20 GAL - 70019703



LINE SPICER
10mm - 23214603
8mm - 23212303
6mm - 23212403
4mm - 283581

K0430



FOAMMARKER TANK/DROPPER 2000
K0430-HIN, 05:12:19

Page 1

Date 07.02.2020 10:26

| parts-n° | order qty | description |
|----------|-----------|-----------------------------------|
| 145994 | 1 | FITT.DK S-40 FORK |
| 145995 | 1 | FITT.DK S-53 FORK |
| 160775 | 1 | WASHER F. FRICTION PLATE |
| 161116 | 1 | FLATBAR PLATE 3 X 25 X 110 |
| 161130 | 1 | FILTER SCREEN F/FOAM DROPPER |
| 172664 | 1 | FLATBAR BACKING PLATE |
| 232114 | 1 | COUPLER 1/8" THREADX8MM HOSE |
| 232118 | 1 | HOSE CONN. 90DEG 1/8'X 6MM PE |
| 232150 | 1 | HOSE CONN. 90DEG. 1/8'X8MM PE |
| 232199 | 1 | COUPLER 3/8' BSP-90/10MM HOSE |
| 242351 | 1 | O-RING D69.5X3.0 VITON F.S-93 |
| 242354 | 1 | O-RING D32.2X3.0 VITON |
| 242355 | 1 | O-RING D19.2X3.0 VITON F.S-40 |
| 283581 | 1 | HOSE CONNECTOR STR. F.4MM PE |
| 284353 | 1 | SPONGE FOR FOAM MARKER |
| 320095 | 1 | FITT.DK NUT 1" BSP |
| 320176 | 1 | FITT.DK HN 3/8"X1/2" BSP |
| 320456 | 1 | FITT.DK BULKHEAD 1"BSP DOUBLE |
| 320471 | 1 | FITT.DK NUT 1" BSP JAMB |
| 322102 | 1 | FITT.DK S-40 BULKHEAD |
| 322106 | 1 | FITT.DK S-40 BULKHEAD NUT |
| 322109 | 1 | FITT.DK S-93 BULKHEAD NUT |
| 322138 | 1 | FITT.DK ELB 1"M X 1"F BSP |
| 330326 | 1 | O-RING D30/D24X2 F.1"NUT |
| 330341 | 1 | FITT.DK HB 1" F. 1" NUT |
| 330665 | 1 | FITT.DK HB 3/4"F.1" NUT |
| 330831 | 1 | FRICTION PLATE |
| 332581 | 1 | GASKET F. 1-1/2" BSP CAPNUT. |
| 334259 | 1 | GASKET F. S-40 BULKHEAD |
| 334523 | 1 | PIPE HOLDER Ø51.5 |
| 390639 | 1 | O-RING F.NOZZLE FILTER |
| 390925 | 1 | FITTING F.FOAM MIX.CHAMB. STD |
| 390926 | 1 | TUBE,MIX CHAMB. FOAM MARK STD |
| 410701 | 1 | SCREW M6X16 GALV. |
| 421024 | 1 | BOLT HEX 8.8 DEL M8X60 |
| 421201 | 1 | BOLT HEX 8.8 DEL M8X70 |
| 430323 | 1 | BOLT HEX 8.8 DEL M12X60 |
| 430367 | 1 | BOLT HEX 8.8 DEL M12X100 DIN931 |
| 460143 | 1 | SELF LOCK NUT M8 SST A2 DIN985 |
| 460261 | 1 | NUT HEX M6X1.00 LOCK DIN985 A2 SS |
| 460703 | 1 | NUT HEX M12X1.75 LOCK DIN985A2 SS |
| 471127 | 1 | WASHER, M12, Ø24/13X24X2.5 SS |
| 480487 | 1 | PIN M5X60 SLOTTED GALV |
| 611671 | 1 | BREAK AWAY HOLDER F-MARKER |
| 614432 | 1 | BREAK AWAY ARM F. FOAM MARKER |
| 615522 | 1 | CHECK VALVE F.FOAM MARKER |
| 615786 | 1 | MOUNT BKT. F.FOAM DROPPER 98 |
| 726570 | 1 | FITT.DK S-53 ELB.3/4" W.ORING |
| 726693 | 1 | FITT.DK S-40 PLUG 1/8BSP ORING |
| 728323 | 1 | VALVE NON-RETURN |
| 730697 | 1 | FOAM DROPPER COMP. BLACK '97 |
| 741526 | 1 | FOAM DROPPER MT. KIT MB-SPL |
| 927231 | 1 | HOSE R X PVCX3/4 CLR/BRD 0012" |
| 927264 | 1 | HOSE R X PE D6/D4 X 0012" |
| 927306 | 1 | HOSE R X PE D8/D6 X 0012"BLACK |
| 927330 | 1 | HOSE R X PE D10/D8 X 012"BLACK |
| 976183 | 1 | DECAL COMPANY D.18,2 X 29,6 |
| 981561 | 1 | SPONGE MAT. MIX.CHAMBER-x0012" |
| 10010803 | 1 | NUT HEX NC (NYLON LOCK) 5/16 |
| 10453803 | 1 | STRAP F.FOAMER TANK (755mm) |
| 10465903 | 1 | *LID F.FOAM MARKER, DRILLED |



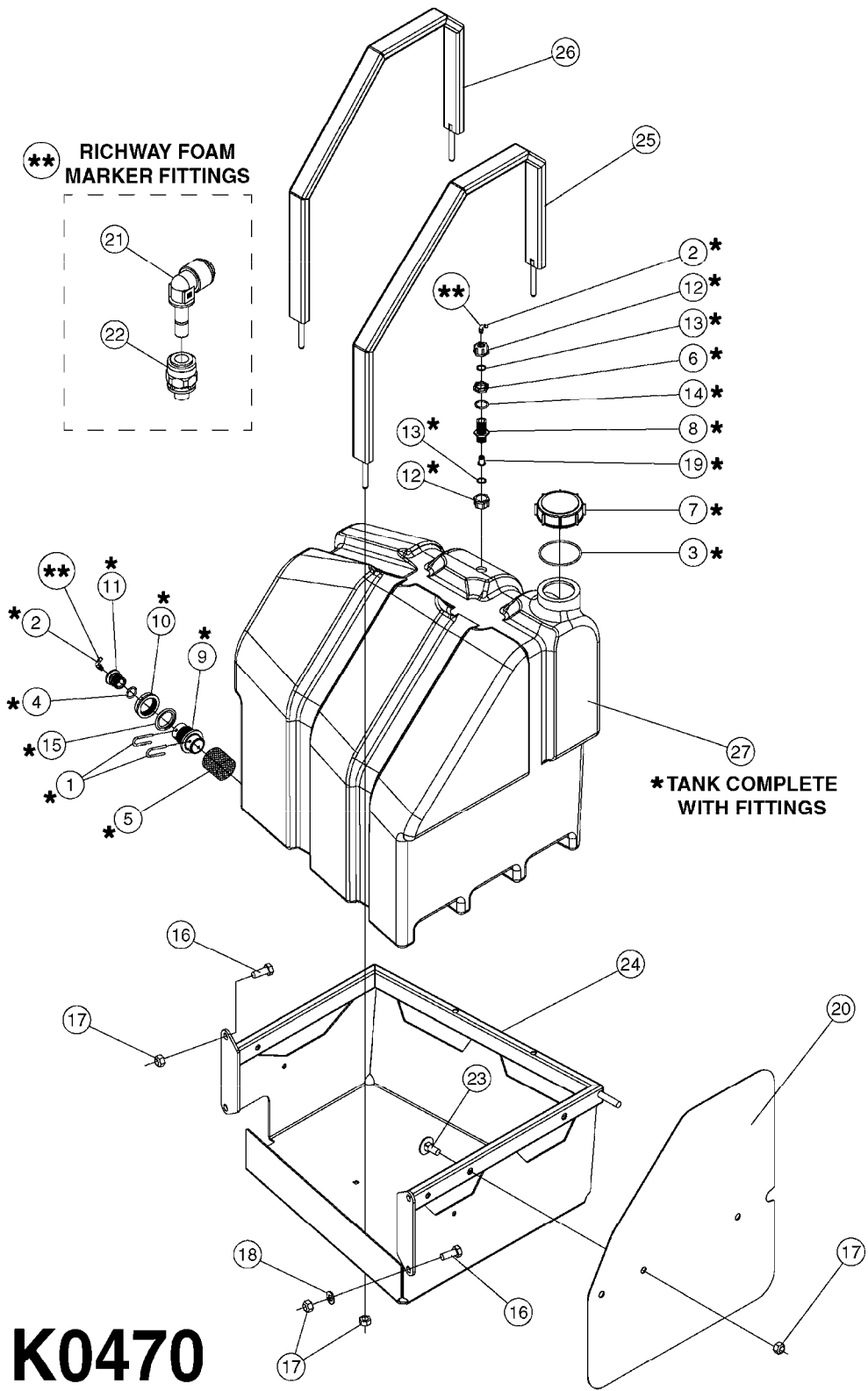
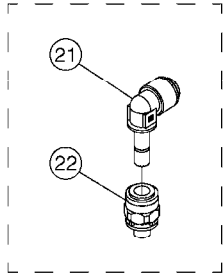
FOAMMARKER TANK/DROPPER 2000
K0430-HIN, 05:12:19

Page 2
Date 07.02.2020 10:26

| parts-n° | order qty | description |
|----------|-----------|-------------------------------------|
| 10494103 | 1 | FILL WELL ASSY.FOAM MARK EPOXY |
| 10494203 | 1 | TANK ASSY. 10 GAL. D14' F/M |
| 10494303 | 1 | TANK ASSY. 15 GAL. D14' F/M |
| 10494403 | 1 | *TANK ASSY. 20 GAL. D14' F/M |
| 10533603 | 1 | DECAL CAUTION-OPEN SLOWLY ENG |
| 10598503 | 1 | STRAP F.FOAMER TANK (880mm) |
| 16261503 | 1 | BRKT, FOAM MRKR TANK, 10/15GAL, RED |
| 23212303 | 1 | HOSE CONNECTOR STR. F.8MM PE |
| 23212403 | 1 | HOSE CONNECTOR STR. F.6MM PE |
| 23214603 | 1 | HOSE CONNECTOR STR. F. 10MM PE |
| 28029903 | 1 | CLAMP HOSE GEAR P3/4"-S1" 6712 |
| 28030103 | 1 | CLAMP HOSE GEAR P5/4-S1.5"6724 |
| 44075300 | 1 | SCREW 3.5X9.5SS/X15 ISO 14585C |
| 61030503 | 1 | BRKT, FOAM MRKR TANK, 20GAL, RED |
| 70019503 | 1 | FOAM MARKER TANK KIT STD 10G |
| 70019603 | 1 | FOAM MARKER TANK KIT STD 15G |
| 70019703 | 1 | FOAM MARKER TANK KIT STD 20G |
| 72048700 | 1 | MIXING CHAMBER, FOAM MARK. STD |
| 92712403 | 1 | HOSE R X1" X300PSI WP X0012" |



**** RICHWAY FOAM MARKER FITTINGS**



K0470

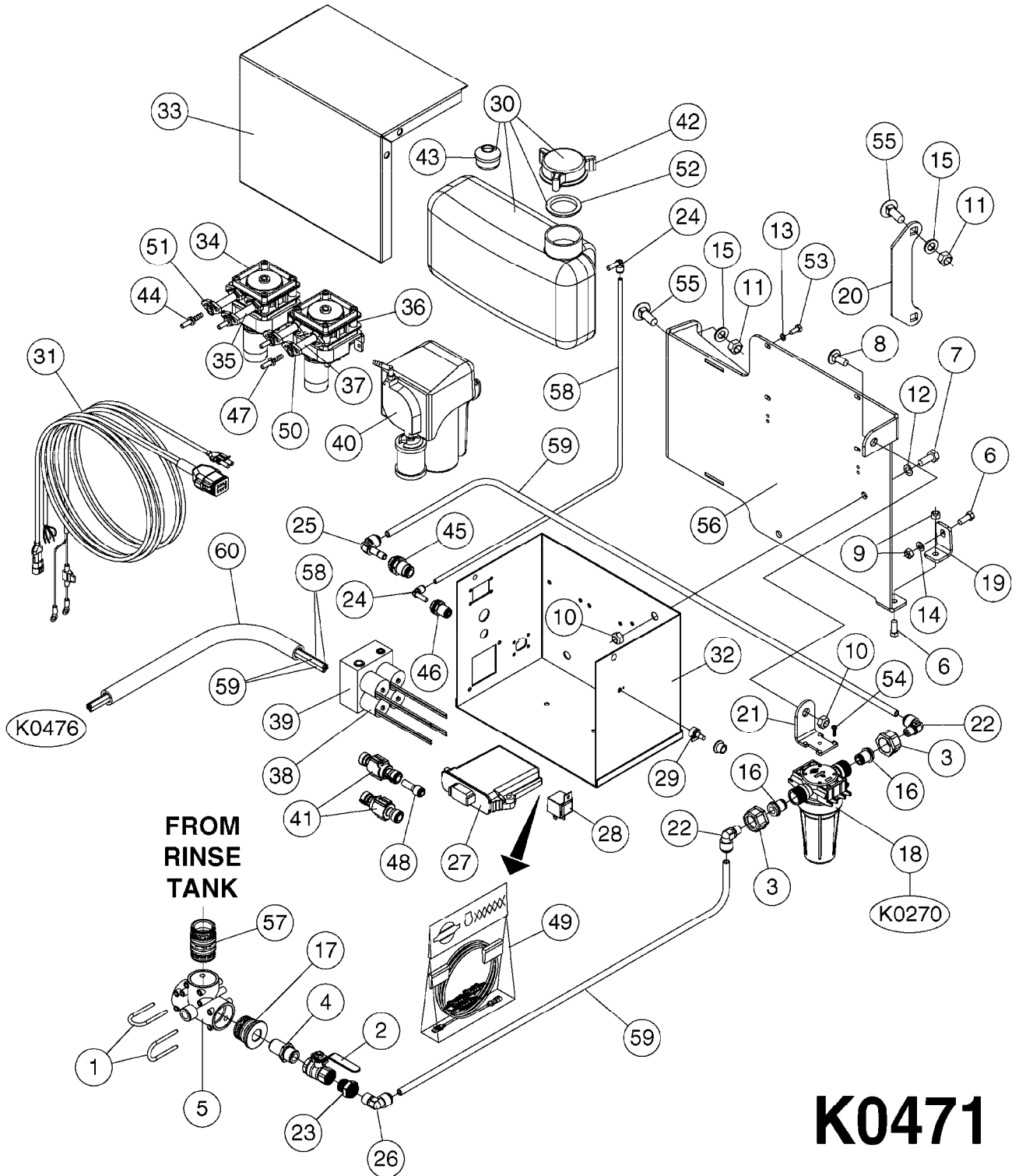


FOAM MARKER TANK - NCM/NAV
K0470-HIN, 07:08:19

Page 1

Date 07.02.2020 10:26

| Pos. | parts-n° | order qty | description |
|------|----------|-----------|-----------------------------------|
| 1 | 145994 | 1 | FITT.DK S-40 FORK |
| 2 | 232150 | 1 | HOSE CONN. 90DEG. 1/8'X8MM PE |
| 3 | 242043 | 1 | O-RING 49.2 X 5.7 |
| 4 | 242355 | 1 | O-RING D19.2X3.0 VITON F.S-40 |
| 5 | 284353 | 1 | SPONGE FOR FOAM MARKER |
| 6 | 321307 | 1 | FITT.DK NUT 1/2" BSP JAMB |
| 7 | 321322 | 1 | SCREW CAP F. S80 X 4 |
| 8 | 321742 | 1 | FITT.DK BULKHEAD 1/2' BSP |
| 9 | 322102 | 1 | FITT.DK S-40 BULKHEAD |
| 10 | 322106 | 1 | FITT.DK S-40 BULKHEAD NUT |
| 11 | 322133 | 1 | FITT.DK S-40 PLUG W 1/8 THREAD |
| 12 | 322170 | 1 | FITT.DK NUT 1/2"x 1/8"F BSP |
| 13 | 330212 | 1 | O-RING D19/D14X2.4 F.1/2"NUT |
| 14 | 332592 | 1 | O-RING D26/D20X3 |
| 15 | 334259 | 1 | GASKET F. S-40 BULKHEAD |
| 16 | 430286 | 1 | BOLT HEX 8.8 DEL M12X30 FT |
| 17 | 460703 | 1 | NUT HEX M12X1.75 LOCK DIN985A2 SS |
| 18 | 471127 | 1 | WASHER, M12, Ø24/13X24X2.5 SS |
| 19 | 728323 | 1 | VALVE NON-RETURN |
| 20 | 16137100 | 1 | COVER PLATE F.CHEMLOCKER NCM |
| 21 | 23005003 | 1 | FITT, 3/8"PLUG-IN-3/8"90-PTC |
| 22 | 23005503 | 1 | FITT, 1/8"NPT-3/8" TUBE-PTC |
| 23 | 45001300 | 1 | CARRIAGE BOLT M12X35 DIN603 A2 |
| 24 | 63039400 | 1 | CHEMLOCKER FOR NCM BLACK |
| 24 | 63061400 | 1 | CHEMLOCKER FOR NAVIGATOR RED |
| 25 | 63068200 | 1 | FOAM TANK STRAP RED 451 WIDE |
| 26 | 63068400 | 1 | FOAM TANK STRAP RED 403 WIDE |
| 27 | 72437700 | 1 | FM TANK 25 GAL W/FTGS. CM/NAV |



K0471



FOAM MARKER - RICHWAY
COMMANDER
K0471-HIN, 22:10:18

Page 1
Date 07.02.2020 10:26

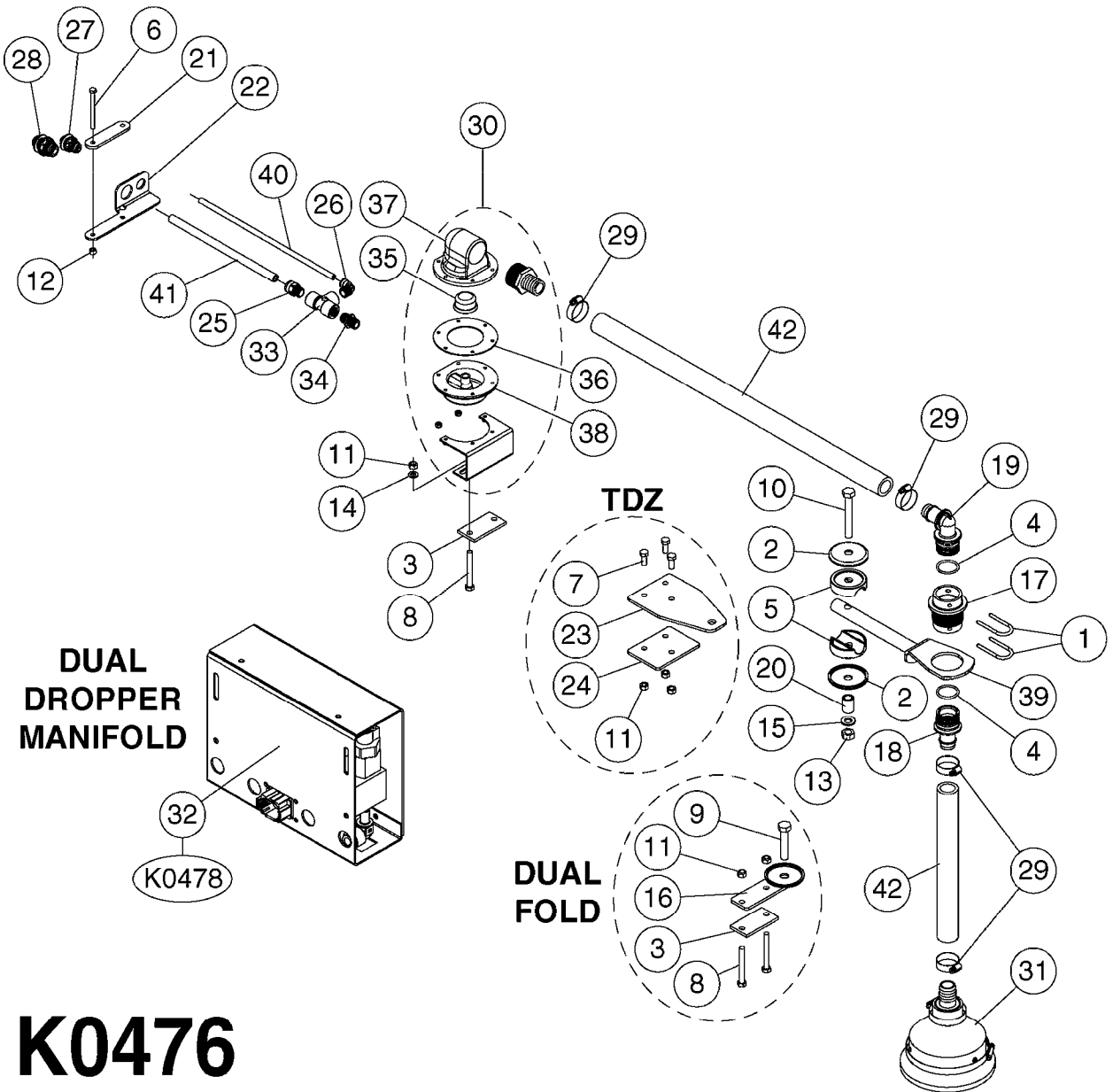
| Pos. | parts-n° | order qty | description |
|------|----------|-----------|---|
| 1 | 145995 | 1 | FITT.DK S-53 FORK |
| 2 | 284227 | 1 | BALL VALVE 1/2"FEMALE THREADS |
| 3 | 320283 | 1 | FITT.DK NUT 3/4"BSP |
| 4 | 321742 | 1 | FITT.DK BULKHEAD 1/2' BSP |
| 5 | 322352 | 1 | FITT.DK S-53 TEE |
| 6 | 420582 | 1 | BOLT HEX 8.8 DEL M8X20 FT A2 |
| 7 | 420604 | 1 | BOLT HEX 8.8 DEL M10X25 FT DIN933 |
| 8 | 440737 | 1 | BOLT CARRIAGE M10x25 SS |
| 9 | 460143 | 1 | SELF LOCK NUT M8 SST A2 DIN985 |
| 10 | 460423 | 1 | NUT HEX M10X1.50 LOCK DIN985A2 SS |
| 11 | 460703 | 1 | NUT HEX M12X1.75 LOCK DIN985A2 SS |
| 12 | 470046 | 1 | WASHER D18D11X1 LOCK |
| 13 | 470901 | 1 | WASHER D11.8/D6.1X1.6 SS LOCK |
| 14 | 471126 | 1 | WASHER, M8, Ø16/ 8.4X 1.6, SS |
| 15 | 471127 | 1 | WASHER, M12, Ø24/13X24X2.5 SS |
| 16 | 717426 | 1 | FITT.DK REDUC 1/4"BSP F.3/4"N |
| 17 | 726694 | 1 | PLUG,S53,1/2"FBSP THD W.ORING |
| 18 | 845219 | 1 | FILTER IN-LINE 3/4'80 MESH OML |
| 19 | 16184403 | 1 | FOAM M. COMPRESSOR HANGER |
| 20 | 16184603 | 1 | FOAM M. COMPRESSOR SHIM |
| 21 | 16321500 | 1 | LINE FILTER BRACKET, TDZ/DDZ |
| 22 | 23004703 | 1 | FITT, 1/4"NPT-3/8"90-PTC |
| 23 | 23004803 | 1 | FITT, 1/2"MPT-3/8"FPT REDUCER |
| 24 | 23004903 | 1 | FITT, 1/4"PLUG-IN-1/4"90-PTC |
| 25 | 23005003 | 1 | FITT, 3/8"PLUG-IN-3/8"90-PTC |
| 26 | 23005103 | 1 | FITT, 3/8"NPT-3/8"90-PTC |
| 27 | 26029503 | 1 | MODULE, CONTROL, FOAM MARKER, RICHWAY |
| 28 | 26029603 | 1 | RELAY, 12VDC, RICHWAY |
| 29 | 26029703 | 1 | POTENTIOMETER, FOAM MARKER, RICHWAY |
| 30 | 28064703 | 1 | FOAM MARKER CONC. TANK,RICHWAY |
| 31 | 28064803 | 1 | FOAM MARKER CONT.CABLE,RICHWAY |
| 32 | 28086403 | 1 | STEEL BODY, FOAM MARKER, RICHWAY |
| 33 | 28086503 | 1 | STEEL LID, FOAM MARKER, RICHWAY |
| 34 | 28086603 | 1 | WATER PUMP, FOAM MARKER, RICHWAY |
| 34 | 28102303 | 1 | RICHWAY WATER PUMP GEAR MOTOR ONLY |
| 35 | 28086703 | 1 | 1/4" PUMP TUBE, WATER, FOAM MARKER, RICHWAY |
| 36 | 28086803 | 1 | CONCENTRATE PUMP, FOAM MARKER, RICHWAY |
| 37 | 28086903 | 1 | 1/8" PUMP TUBE, CONCENTRATE, FOAM MARKER, RICHWAY |
| 38 | 28087003 | 1 | 2-WAY SOLENOID VALVE, FOAM MARKER, RICHWAY |
| 39 | 28087103 | 1 | RHD-VTD SOLENOID BLOCK, FOAM MARKER, RICHWAY |
| 40 | 28087203 | 1 | DIAPHRAGM AIR COMPRESSOR, FOAM MARKER, RICHWAY |
| 41 | 28087403 | 1 | 3/8" CHECK VALVE, FOAM MARKER, RICHWAY |
| 42 | 28087603 | 1 | 1 GALLON TANK CAP, FOAM MARKER, RICHWAY |
| 43 | 28087703 | 1 | 1 GALLON TANK SCREEN, FOAM MARKER, RICHWAY |
| 44 | 28094103 | 1 | FITT.1/4" STEM X 1/4" HOSE BARB |
| 45 | 28095803 | 1 | 3/8"T BULKHEAD |
| 46 | 28095903 | 1 | 1/4"T BULKHEAD |
| 47 | 28096403 | 1 | 1/4" STEM X 3/16" HB |
| 48 | 28096503 | 1 | 3/8" STEM X 1/4"T |
| 49 | 28097103 | 1 | POWER UNIT HARNESS, RICHWAY TRAILER INSIDE WIRING HARNESS COMPLETE |
| 50 | 28102103 | 1 | RICHWAY #23 QUICK CLAMP |
| 51 | 28102203 | 1 | RICHWAY #26 QUICK CLAMP |
| 52 | 28102403 | 1 | RICHWAY TANK CAP GASKET |
| 53 | 41000603 | 1 | BOLT HEX 1/4"X1/2" SS |
| 54 | 44076200 | 1 | SCREW WN5451 5X16 SS TORX |
| 55 | 45001300 | 1 | CARRIAGE BOLT M12X35 DIN603 A2 |
| 56 | 61020003 | 1 | BRKT, FOAM MARKER F.COM, RICHWAY |
| 57 | 72114300 | 1 | FITT. DK S-53 MALE MALE W.ORIN |
| 58 | 92703303 | 1 | HOSE LLDPE .25"X.17"X12" BLACK |
| 59 | 92703403 | 1 | HOSE LLDPE .38"X.25"X12" BLACK |



FOAM MARKER - RICHWAY
COMMANDER
K0471-HIN, 22:10:18

Page 2
Date 07.02.2020 10:26

| Pos. | parts-n° | order qty | description |
|------|----------|-----------|------------------------------|
| 60 | 92712403 | 1 | HOSE R X1" X300PSI WP X0012" |



K0476

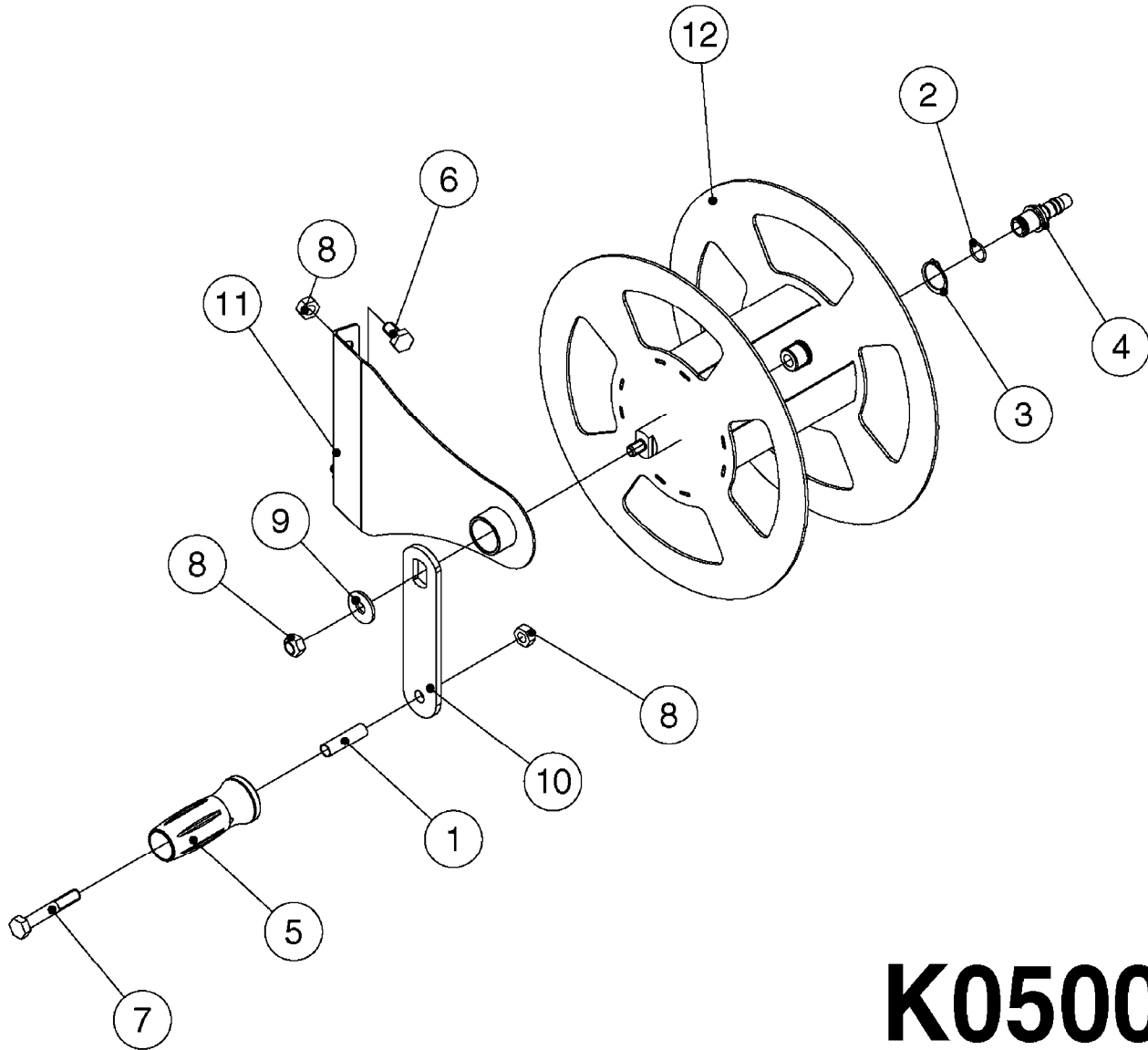


FOAM MARKER - DROPPER RICHWAY
K0476-HIN, 26:02:18

Page 1

Date 07.02.2020 10:26

| Pos. | parts-n° | order qty | description |
|------|----------|-----------|---|
| 1 | 145995 | 1 | FITT.DK S-53 FORK |
| 2 | 160775 | 1 | WASHER F. FRICTION PLATE |
| 3 | 172664 | 1 | FLATBAR BACKING PLATE |
| 4 | 242109 | 1 | O-RING D32.2x3.0 |
| 4 | 242354 | 1 | O-RING D32.2X3.0 VITON |
| 5 | 330831 | 1 | FRICTION PLATE |
| 6 | 410605 | 1 | BOLT HEX 8.8 DEL M6X80 |
| 7 | 420582 | 1 | BOLT HEX 8.8 DEL M8X20 FT A2 |
| 8 | 421201 | 1 | BOLT HEX 8.8 DEL M8X70 |
| 9 | 430323 | 1 | BOLT HEX 8.8 DEL M12X60 |
| 10 | 430924 | 1 | BOLT HEX 8.8 DEL M12 X 85 |
| 11 | 460143 | 1 | SELF LOCK NUT M8 SST A2 DIN985 |
| 12 | 460261 | 1 | NUT HEX M6X1.00 LOCK DIN985 A2 SS |
| 13 | 460703 | 1 | NUT HEX M12X1.75 LOCK DIN985A2 SS |
| 14 | 471126 | 1 | WASHER, M8, Ø16/ 8.4X 1.6, SS |
| 15 | 471127 | 1 | WASHER, M12, Ø24/13X24X2.5 SS |
| 16 | 611671 | 1 | BREAK AWAY HOLDER F-MARKER |
| 17 | 726463 | 1 | FITT.DK S53 BULKHEAD W/GASKET |
| 18 | 726559 | 1 | FITT DK. S-53 HB 1" W/O-RING |
| 19 | 726571 | 1 | FITT.DK S-53 ELB.1", W ORING |
| 20 | 14103900 | 1 | BUSHING Ø19/Ø13 L=26.5 SPC/FTZ BOOMS ONLY |
| 21 | 16022403 | 1 | BRACKET 60MM TUBE |
| 22 | 16162903 | 1 | BRKT, FOAM LINE DISCONNECT |
| 23 | 16169803 | 1 | BRACKET, TDZ FOAM MARKER MOUNT |
| 24 | 16170003 | 1 | PLATE, TDZ FOAM MARKER MOUNT BACKER |
| 25 | 23004303 | 1 | FITT, 3/8"NPT-3/8"TUBE-PTC |
| 26 | 23004403 | 1 | FITT, 3/8"NPT-1/4"90-PTC |
| 27 | 23004503 | 1 | FITT, BULKHEAD-1/4" TUBE-PTC |
| 28 | 23004603 | 1 | FITT, BULKHEAD-3/8" TUBE-PTC |
| 29 | 28030003 | 1 | CLAMP HOSE GEAR P1" 6716 |
| 30 | 28064903 | 1 | FOAMHEAD ASSEMBLY, RICHWAY |
| 31 | 28065003 | 1 | COLLECTOR HEAD ASSY, RICHWAY |
| 32 | 28065103 | 1 | DUAL DROP MANIFOLD, RICHWAY |
| 33 | 28066303 | 1 | FITT, BANJO, 3/8" TEE |
| 34 | 28066403 | 1 | FITT, BANJO, 3/8"-3/8" STR NIP |
| 35 | 28087803 | 1 | 3/8" FOAMHEAD SCREEN, FOAM MARKER, RICHWAY |
| 36 | 28087903 | 1 | FOAMHEAD GASKET, FOAM MARKER, RICHWAY |
| 37 | 28088003 | 1 | FOAMHEAD TOP HOUSING, FOAM MARKER, RICHWAY |
| 38 | 28088103 | 1 | FOAMHEAD BOTTOM HOUSING, FOAM MARKER, RICHWAY |
| 39 | 61065900 | 1 | BRACKET FOR FOAM DROPPER, S53 |
| 40 | 92703303 | 1 | HOSE LLDPE .25"X.17"X12" BLACK |
| 41 | 92703403 | 1 | HOSE LLDPE .38"X.25"X12" BLACK |
| 42 | 92712403 | 1 | HOSE R X1" X300PSI WP X0012" |



K0500

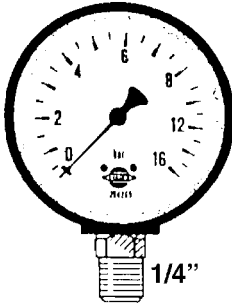


HOSE REEL - COMMANDER
K0500-HIN, 01:01:16

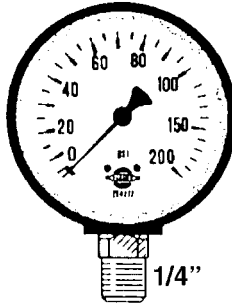
Page 1

Date 07.02.2020 10:26

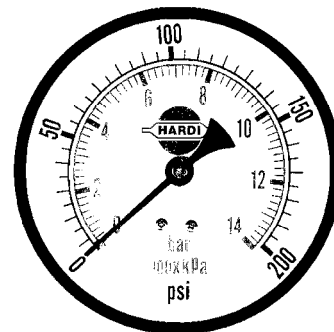
| Pos. | parts-n° | order qty | description |
|------|----------|-----------|-----------------------------------|
| 1 | 159912 | 1 | BUSHING 12.0/10.2 - 45.5 |
| 2 | 242003 | 1 | O-RING D14.1X1.6 VITON |
| 3 | 281982 | 1 | SNAP-RING OUTER 26X1.2 DIN4711 |
| 4 | 332905 | 1 | FITT.DK HB 1/2" F. 3/4" CAP |
| 5 | 334104 | 1 | GRIP |
| 6 | 420604 | 1 | BOLT HEX 8.8 DEL M10X25 FT DIN933 |
| 7 | 420626 | 1 | BOLT HEX 8.8 DEL M10X20 FT |
| 8 | 460423 | 1 | NUT HEX M10X1.50 LOCK DIN985A2 SS |
| 9 | 471140 | 1 | WASHER D30/D10.5X2.5 STAINLESS |
| 10 | 16118400 | 1 | ARM FOR HANDLE ON HOSE REEL |
| 11 | 61032400 | 1 | SIDE BRACKET F. HOSE REEL |
| 12 | 63036500 | 1 | HOSE REEL FOR HOSE |



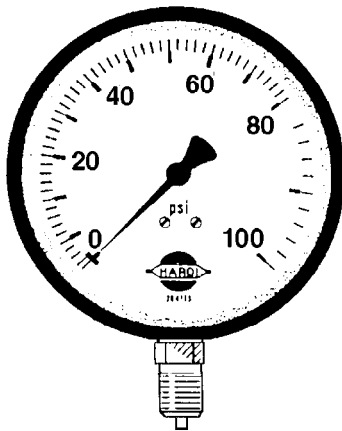
284269
0-8-16 bar
BRASS
2.5" GAUGE



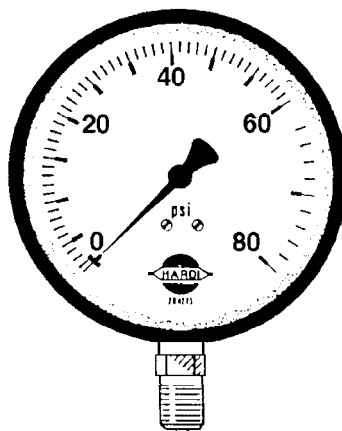
28026203
0-100-200 psi
STAINLESS
2.5" GAUGE



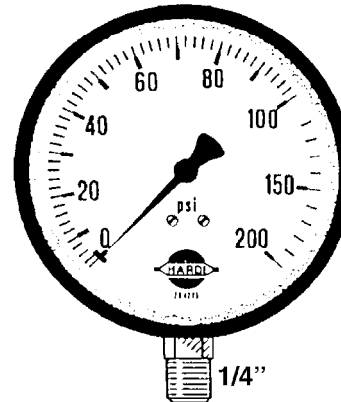
28014403
200 psi (14 bar)
STAINLESS
4" GAUGE



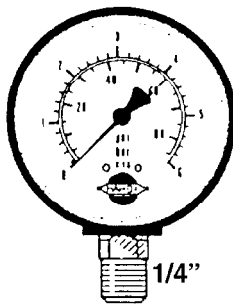
844086
100 bar (1400 psi)
BRASS
2.5" GAUGE



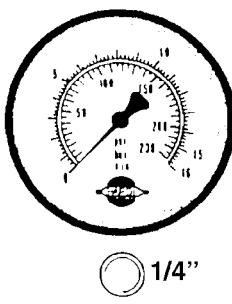
844088
80 bar (1200 psi)
STAINLESS
1.5" GAUGE



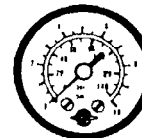
28026103
0-100-200 psi
STAINLESS
4" GAUGE



280637
6 bar (85 psi)
BRASS
2.5" GAUGE



283754
16 bar (230 psi)
BRASS
2.5" GAUGE



844082
10 bar (140 psi)
BRASS
1.5" GAUGE

K0560

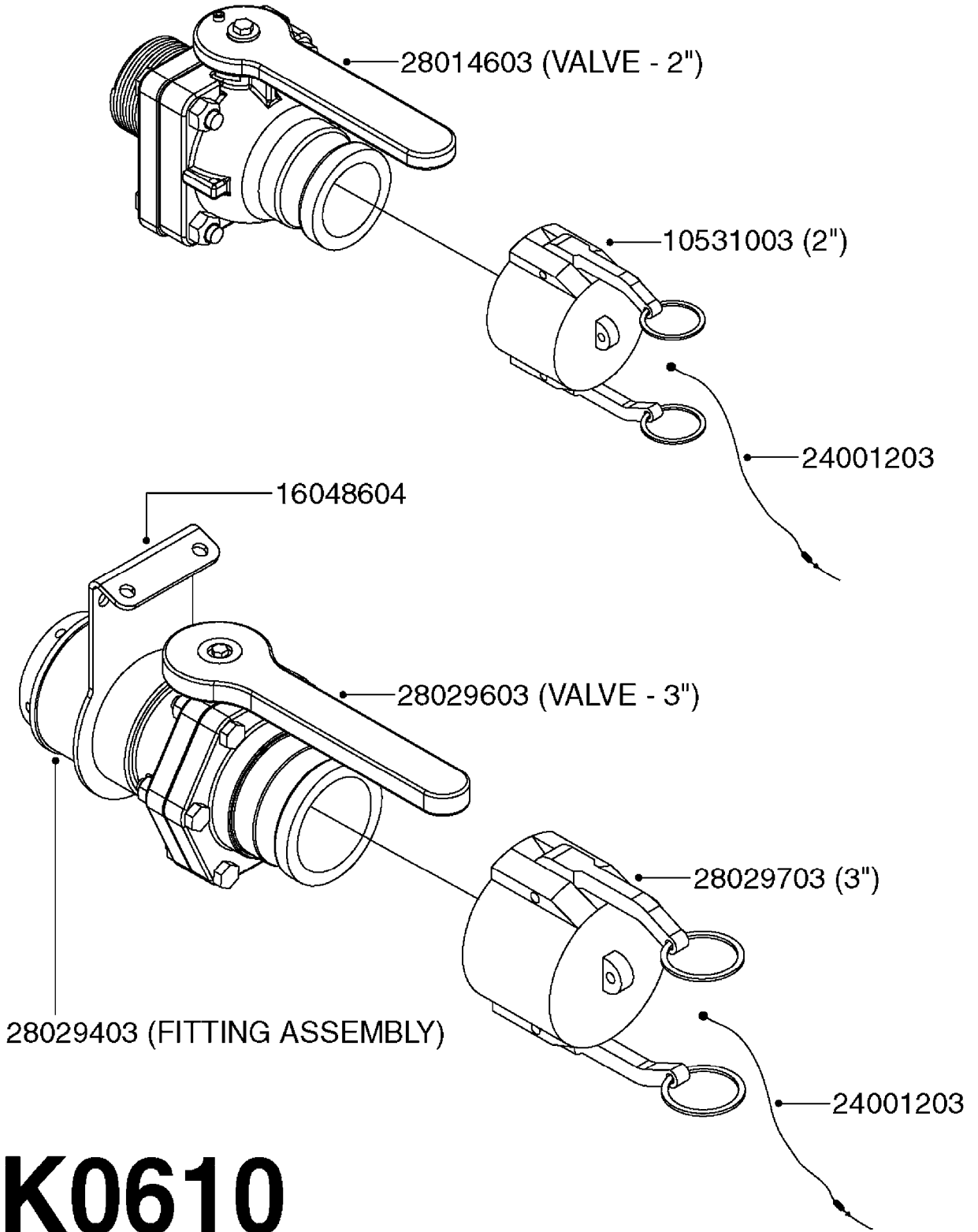


PRESSURE GAUGES
K0560-HIN, 01:01:16

Page 1

Date 07.02.2020 10:26

| parts-n° | order qty | description |
|----------|-----------|--------------------------------------|
| 280637 | 1 | GAUGE 2.5"BR BOTT.PSI85 BAR6 |
| 283754 | 1 | GAUGE 2.5'BR REAR PSI200 BAR16 |
| 284269 | 1 | PRESSURE GAUGE 0-8-16 BAR Ø2,5" 1/4" |
| 844082 | 1 | GAUGE 1.5'BR REAR PSI140BAR10 |
| 844086 | 1 | GAUGE 2.5'BR BOTT.PSI1000BAR80 |
| 844088 | 1 | GAUGE 2.5'BR BOTT PSI1200BAR80 |
| 28014403 | 1 | GAUGE 4"BR REAR PSI200 |
| 28026103 | 1 | GAUGE 200PSI/BR, 4", 1/4"BSP-BTM |
| 28026203 | 1 | GAUGE 200PSI/BR, 2.5"1/4BSP-BTM |



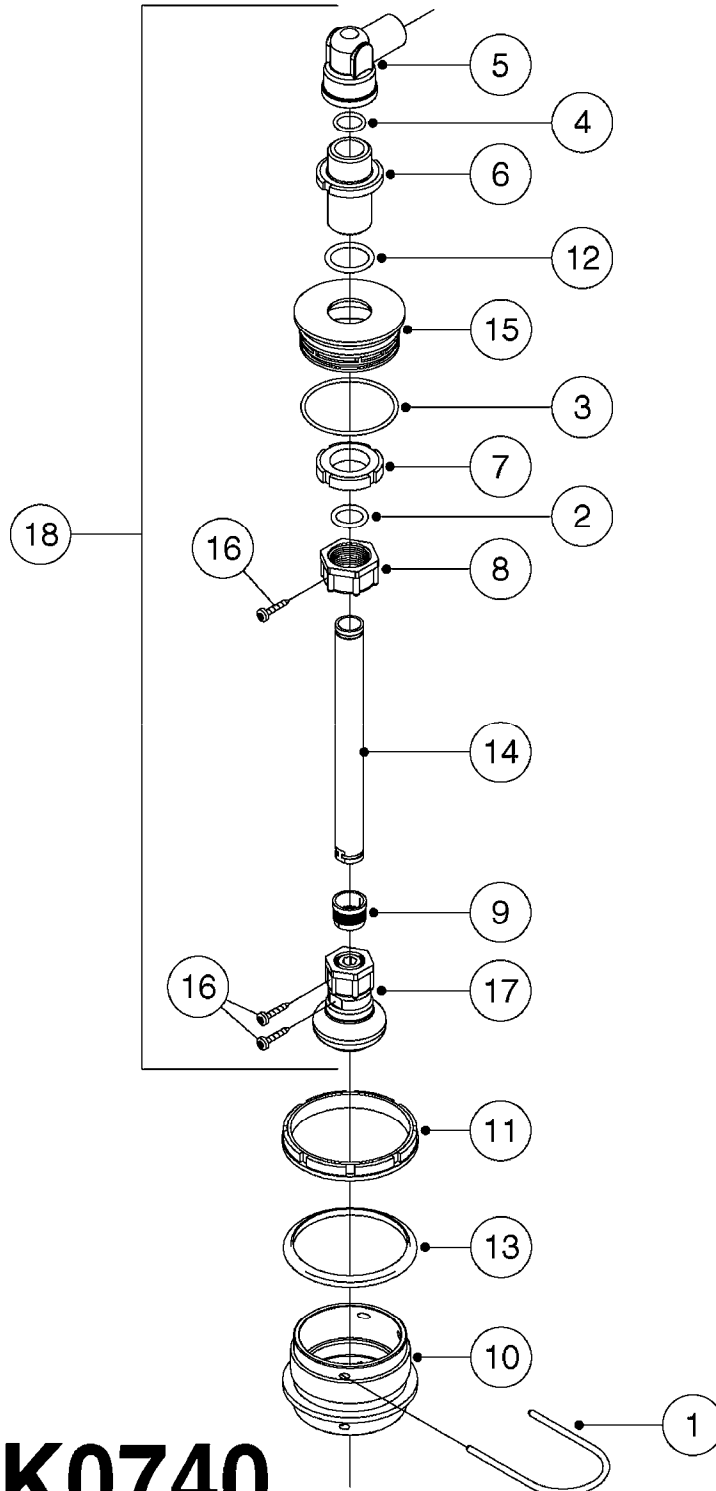
K0610



QUICKFILL-VALVES-BANJO 2" & 3"
K0610-HIN, 01:01:16

Page 1
Date 07.02.2020 10:26

| parts-n° | order qty | description |
|----------|-----------|--------------------------------|
| 10531003 | 1 | CAP F.MALE QUICK COUPLER 2" |
| 16048604 | 1 | QUICK FILL BKT. NAV. 575-1100 |
| 24001203 | 1 | RBR LANYARD 11" F.QCK FILL CAP |
| 28014603 | 1 | VALVE STUBBY 2" BANJO |
| 28029403 | 1 | 3"NPT MALE X S93 FEMALE |
| 28029603 | 1 | VALVE STUBBY 3" BANJO |
| 28029703 | 1 | CAP F.MALE QUICK COUPLER 3" |



K0740

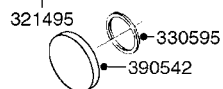
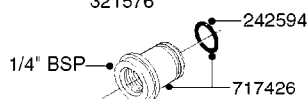
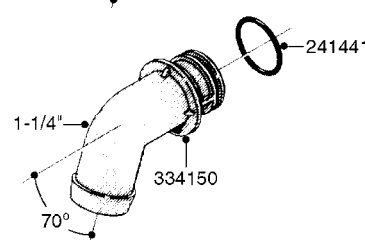
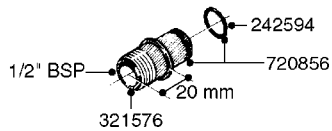
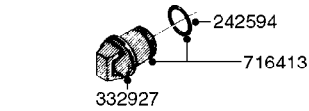
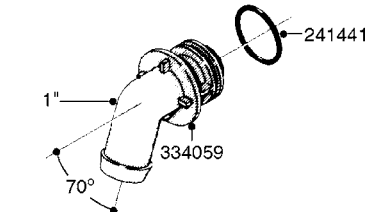
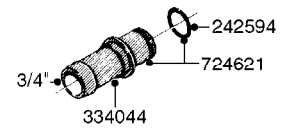
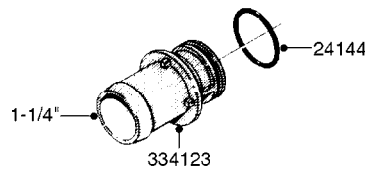
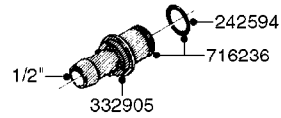
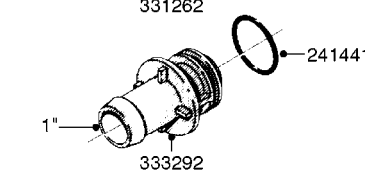
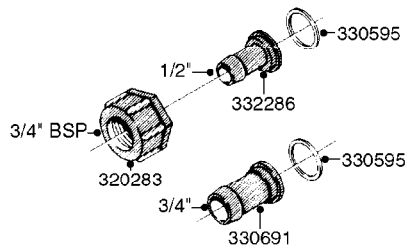
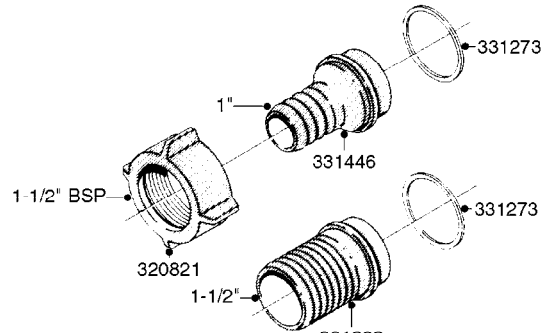
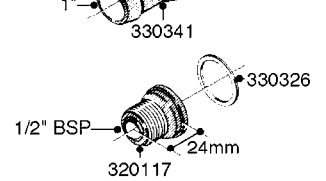
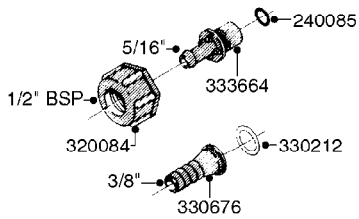
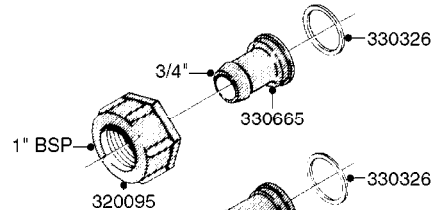
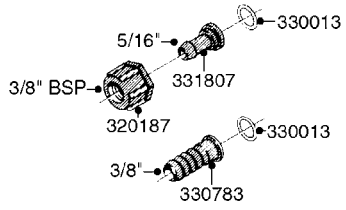


RINSE SYSTEM NOZZLE - LOW MOD.
K0740-HIN, 01:01:16

Page 1

Date 07.02.2020 10:26

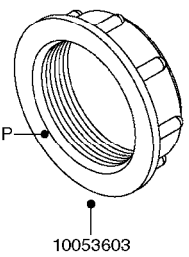
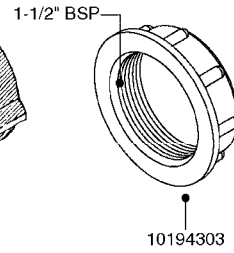
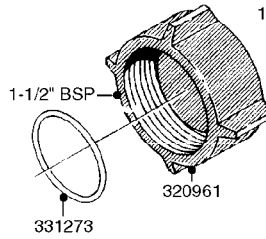
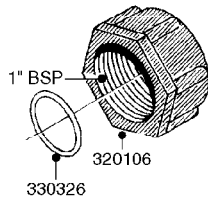
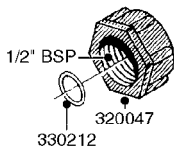
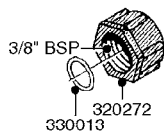
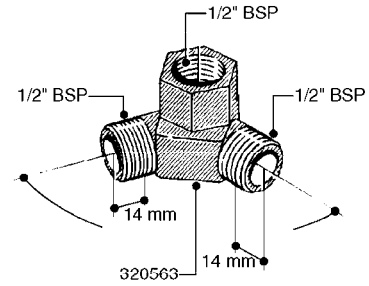
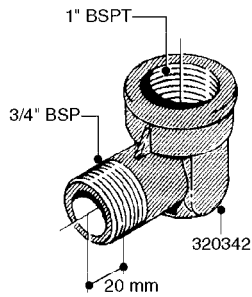
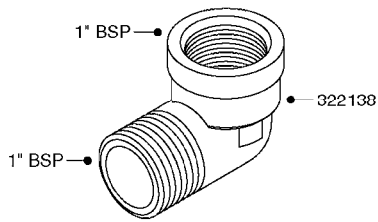
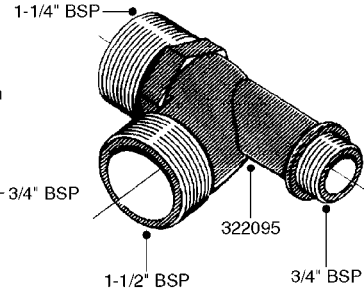
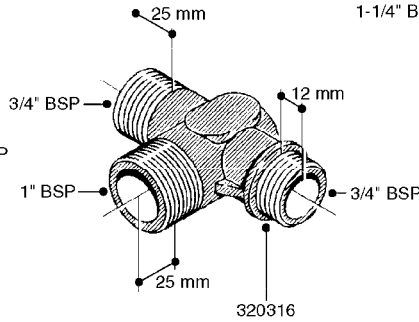
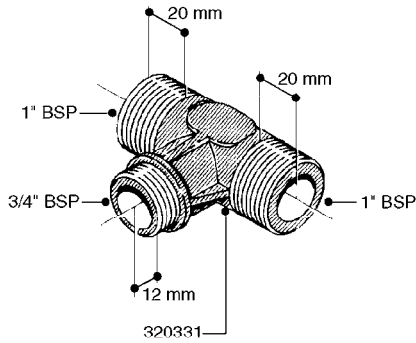
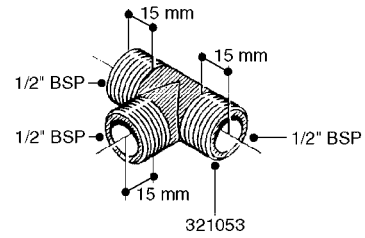
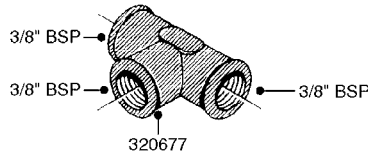
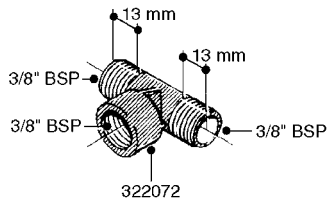
| Pos. | parts-n° | order qty | description |
|------|----------|-----------|--------------------------------|
| 1 | 145997 | 1 | FITT.DK S-93 FORK |
| 2 | 240306 | 1 | O-RING D29/D21X4 |
| 3 | 242351 | 1 | O-RING D69.5X3.0 VITON F.S-93 |
| 4 | 242355 | 1 | O-RING D19.2X3.0 VITON F.S-40 |
| 5 | 320342 | 1 | FITT.DK EL 3/4" M X 1" F BSP |
| 6 | 320456 | 1 | FITT.DK BULKHEAD 1" BSP DOUBLE |
| 7 | 320471 | 1 | FITT.DK NUT 1" BSP JAMB |
| 8 | 320574 | 1 | FITT.DK NUT 1" BSP SPECIAL |
| 9 | 321484 | 1 | BUSHING THREADED F.NOZZ.TUBE |
| 10 | 322105 | 1 | FITT.DK S-93 BULKHEAD DOUBLE |
| 11 | 322109 | 1 | FITT.DK S-93 BULKHEAD NUT |
| 12 | 332577 | 1 | O-RING D38/D30X4 F.1" PUR. |
| 13 | 334262 | 1 | GASKET F.S-93 BULKHEAD |
| 14 | 341106 | 1 | TUBE F.RINSE NOZZLE L=220 |
| 15 | 390485 | 1 | FITT.DK S-93 PLUG W D34 HOLE |
| 16 | 440665 | 1 | SCREW M4.2X16 STAINLESS |
| 17 | 728014 | 1 | RINSE NOZZLE MOUNTED |
| 18 | 72358000 | 1 | TANK RINSE LOW MOD.ASSMBLY NCM |



L0010



| parts-n° | order qty | description |
|----------|-----------|---------------------------------|
| 240085 | 1 | O-RING D13,1/8,3X02,4 NITRIL |
| 241441 | 1 | O-RING D29.3X3 |
| 242594 | 1 | O-RING D14 X 1.78 SCH.70-EPDM |
| 320084 | 1 | FITT.DK NUT 1/2" BSP |
| 320095 | 1 | FITT.DK NUT 1" BSP |
| 320117 | 1 | FITT.DK CONN.1/2"BSP F. 1" CAP |
| 320187 | 1 | FITT.DK CAP 3/8" BSP BLACK |
| 320283 | 1 | FITT.DK NUT 3/4"BSP |
| 320821 | 1 | FITT.DK NUT 1-1/2" BSP |
| 321495 | 1 | FITT.DK REDUC 1/4'BSP F.3/4'NT |
| 321576 | 1 | FITT.DK CONN 1/2"BSP F.3/4"NUT |
| 330013 | 1 | O-RING 2.5 X 10 PUR |
| 330212 | 1 | O-RING D19/D14X2.4 F.1/2"NUT |
| 330326 | 1 | O-RING D30/D24X2 F.1"NUT |
| 330341 | 1 | FITT.DK HB 1" F. 1" NUT |
| 330595 | 1 | O-RING D24.6/D20X2.1 -3/4" |
| 330665 | 1 | FITT.DK HB 3/4"F.1" NUT |
| 330676 | 1 | FITT.DK HB 3/8" F. 1/2" NUT |
| 330687 | 1 | FITT.DK HB 1/2" F. 1/2" NUT |
| 330691 | 1 | FITT.DK HB 3/4'F.3/4' NUT |
| 330783 | 1 | FITT.DK HB 3/8"F.3/8" NUT |
| 331262 | 1 | FITT.DK HB 1-1/2" F. 1-1/2"NUT |
| 331273 | 1 | O-RING D44/D38X2 F.1-1/2" |
| 331446 | 1 | FITT.DK HB 1" F.1-1/2" NUT |
| 331807 | 1 | FITT.DK HB 5/16" F.3/8" NUT |
| 332286 | 1 | FITT.DK HB 1/2" F. 3/4" NUT |
| 332905 | 1 | FITT.DK HB 1/2" F. 3/4" CAP |
| 332927 | 1 | FITT.DK PLUG F. NOZZLE TUBE |
| 333292 | 1 | FITT.DK HB 1"O'RING F.1-1/2" |
| 333664 | 1 | FITT.DK HB 5/16' F. 1/2' NUT |
| 334044 | 1 | FITT.DK HB 3/4' F. 3/4' CAP |
| 334059 | 1 | FITT.DK EL 1" 110 DEG.F.1-1/2" |
| 334123 | 1 | FITT.DK HB 1-1/4"O-RNG F.1-1/2" |
| 334150 | 1 | FITT.DK HB 1-1/4" 110 F.1-1/2" |
| 390542 | 1 | PLUG WASHER FOR 3/4'CAP NUT |
| 716236 | 1 | FITT.DK HB 1/2" ASSY. F. 3/4" |
| 716413 | 1 | FITT.DK PLUG ASSY. F.NOZ TUBE |
| 717426 | 1 | FITT.DK REDUC 1/4"BSP F.3/4"N |
| 720856 | 1 | FITT.DK 1/2'BSP ASSY.F.3/4'NUT |
| 724621 | 1 | FITT.DK HB 3/4"ASSY F.3/4" NUT |



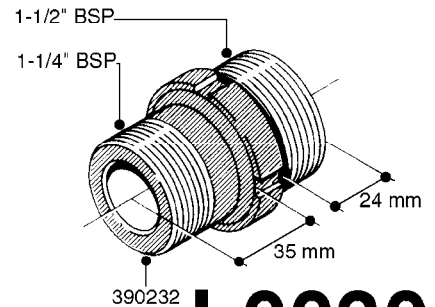
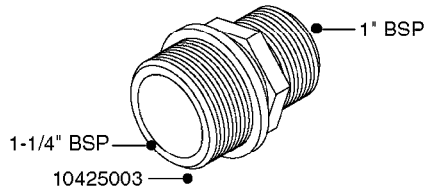
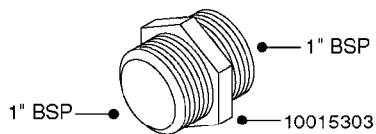
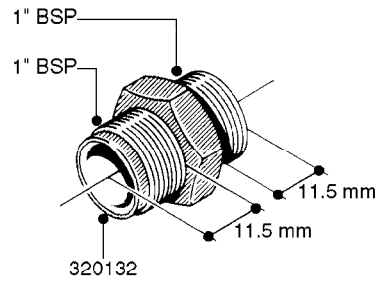
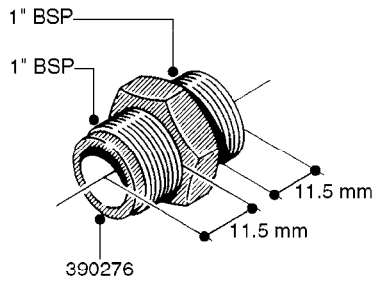
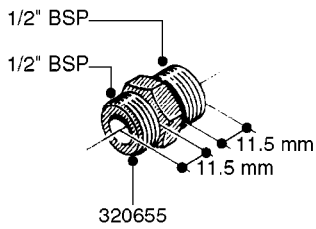
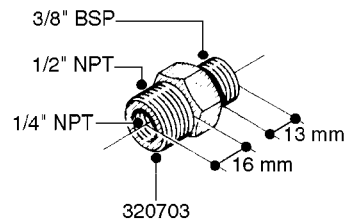
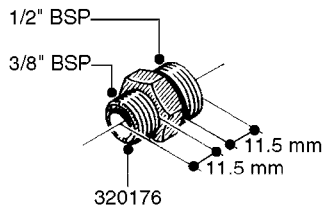
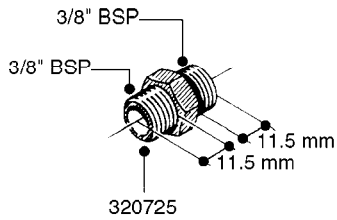
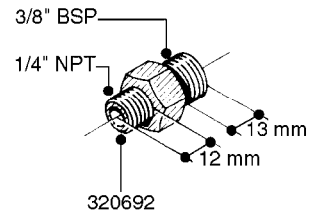
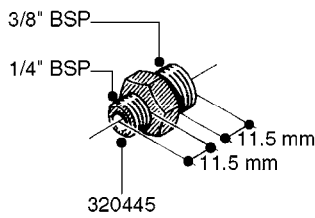
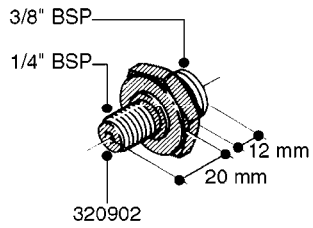
L0020



FITTINGS-T-PIECES, CAPS & ELBOWS
L0020-HIN, 01:01:16

Page 1
Date 07.02.2020 10:26

| parts-n° | order qty | description |
|----------|-----------|------------------------------------|
| 10053603 | 1 | FITT. CAPNUT 2"BSP 5601 |
| 10194303 | 1 | CAP BLANK 1 1/2 MCPHEE 210060 |
| 320047 | 1 | FITT.DK CAPNUT 1/2" BSP |
| 320106 | 1 | FITT.DK CAPNUT 1" BSP |
| 320272 | 1 | FITT.DK CAPNUT 3/8" BSP |
| 320316 | 1 | FITT.DK TEE 3/4" X3/4" X1"BSP |
| 320331 | 1 | FITT.DK TEE 1" - 1" - 3/4" BSP |
| 320342 | 1 | FITT.DK EL 3/4"M X 1"F BSP |
| 320563 | 1 | FITT.DK 3 WAY 1/2" 110 DEG. |
| 320677 | 1 | NO LONGER AVAILABLE |
| 320961 | 1 | FITT.DK CAPNUT 1-1/2" BSP |
| 321053 | 1 | FITT.DK TEE 1/2 X1/2 X1/2" BSP |
| 322072 | 1 | FITT.DK TEE 3/8'X3/8'X3/8' BSP |
| 322095 | 1 | FITT.DK TEE 1-1/2 X1-1/4 X3/4" BSP |
| 322138 | 1 | FITT.DK ELB 1"M X 1"F BSP |
| 330013 | 1 | O-RING 2.5 X 10 PUR |
| 330212 | 1 | O-RING D19/D14X2.4 F.1/2"NUT |
| 330326 | 1 | O-RING D30/D24X2 F.1"NUT |
| 331273 | 1 | O-RING D44/D38X2 F.1-1/2" |



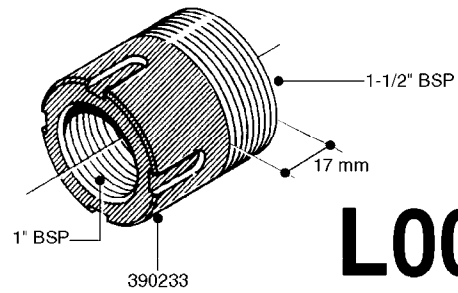
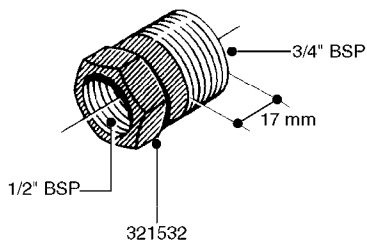
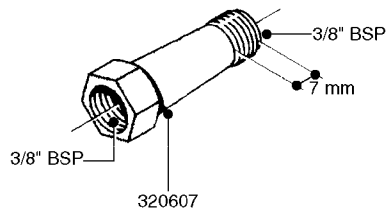
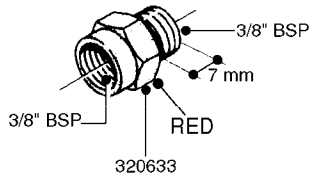
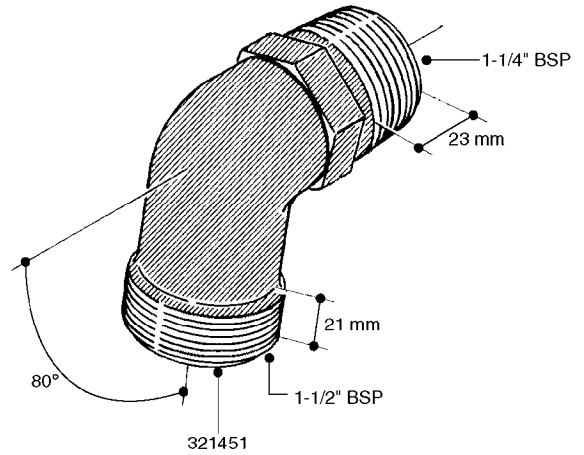
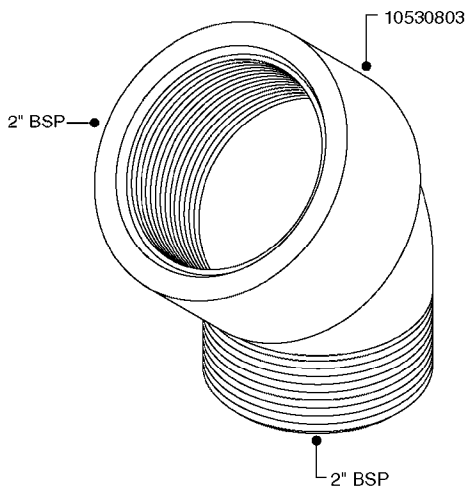
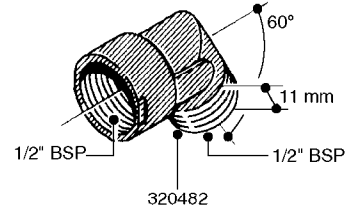
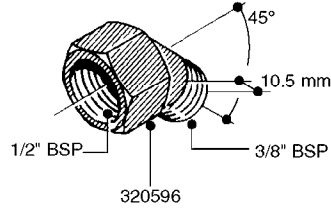
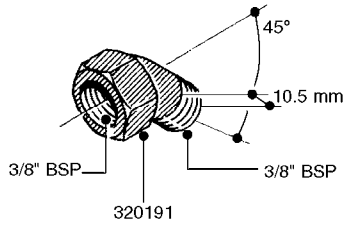
L0030



FITTINGS - HEXAGON NIPPLES
L0030-HIN, 01:01:16

Page 1
Date 07.02.2020 10:26

| parts-n° | order qty | description |
|----------|-----------|--------------------------------|
| 10015303 | 1 | FITT.PO.HN 1.00X1.00 M1000 |
| 10425003 | 1 | FITT.PO.HN 1.25X1.00 MCPHEE |
| 320132 | 1 | FITT.DK HN 1" BSP |
| 320176 | 1 | FITT.DK HN 3/8"X1/2" BSP |
| 320445 | 1 | FITT.DK HN 1/4"X3/8" BSP |
| 320655 | 1 | FITT.DK HN 1/2"-1/2" BSP |
| 320692 | 1 | FITT.DK HN 3/8'BSPX1/4'NPT |
| 320703 | 1 | FITT.DK HN 3/8BSP X1/2 &1/4NPT |
| 320725 | 1 | FITT.DK NIPPLE 3/8"-3/8" BSP |
| 320902 | 1 | FITT.DK HN 3/8'X 1/4' BSP |
| 390232 | 1 | FITT.DK HN 1-1/2' X 1-1/4' BSP |
| 390276 | 1 | FITT.DK HN 1'BSP |



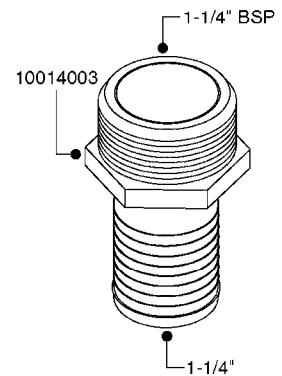
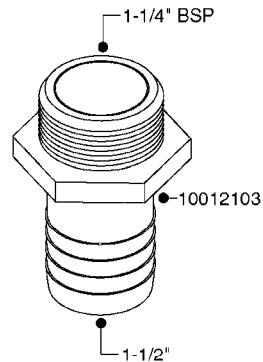
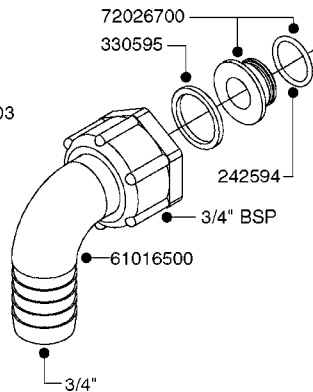
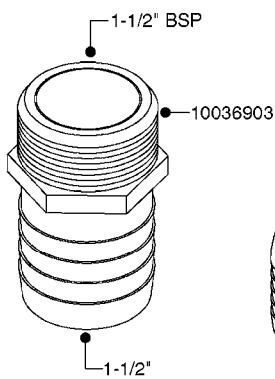
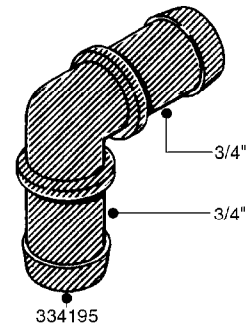
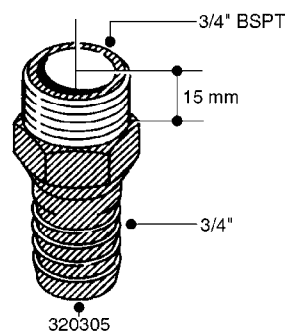
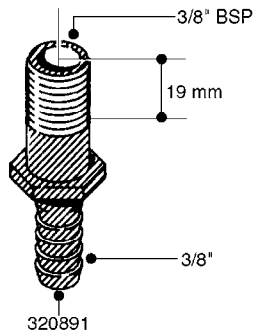
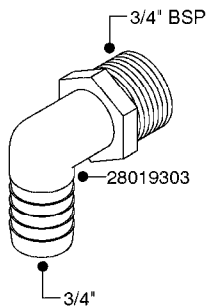
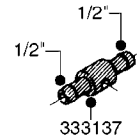
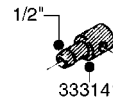
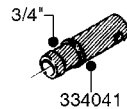
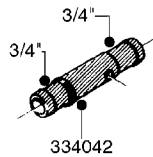
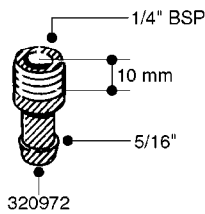
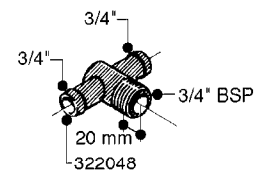
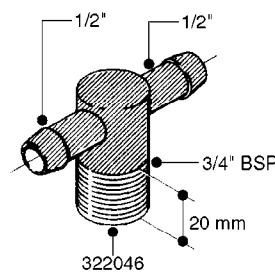
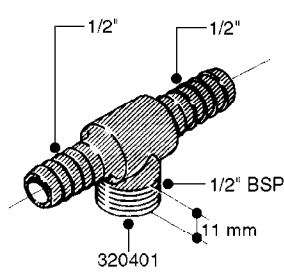
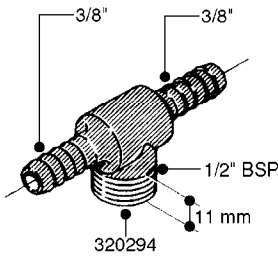
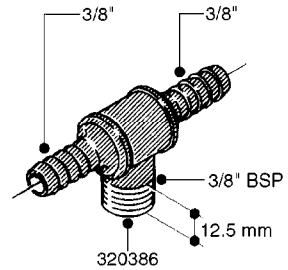
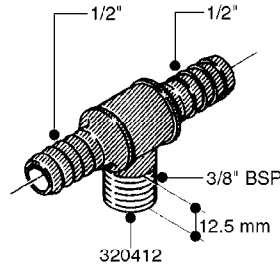
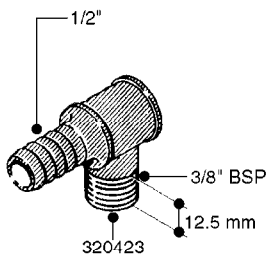
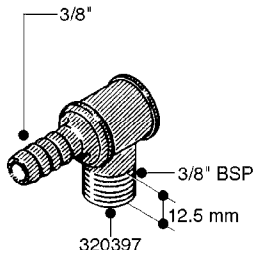
L0040



FITTINGS - NIPPLES & ELBOWS
L0040-HIN, 01:01:16

Page 1
Date 07.02.2020 10:26

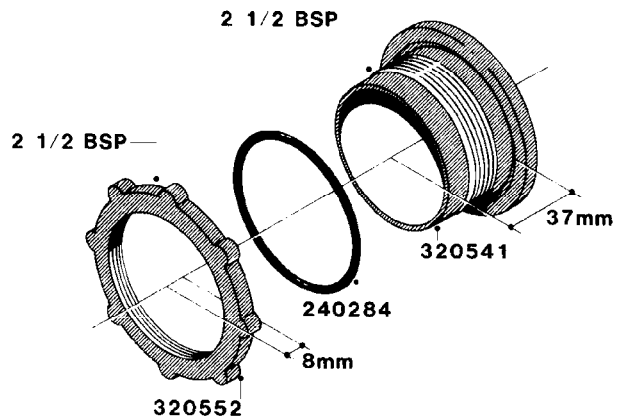
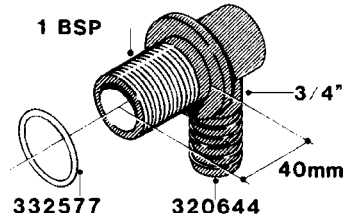
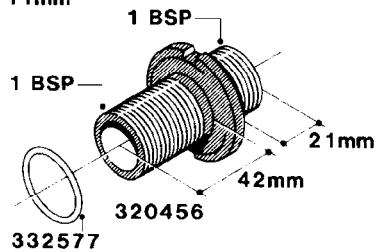
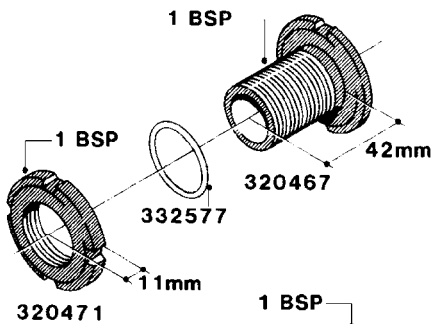
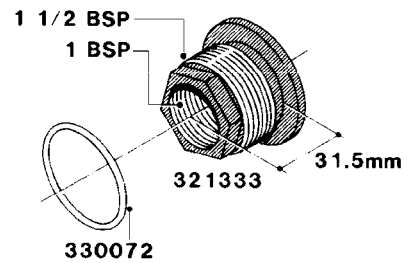
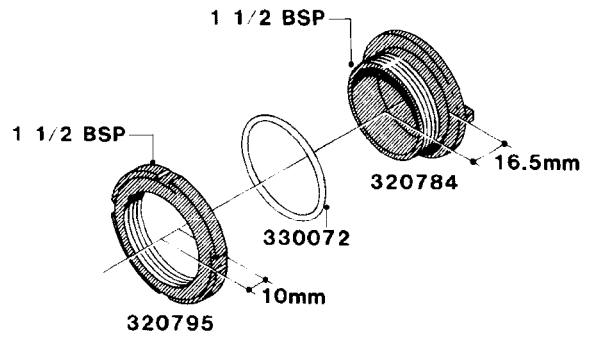
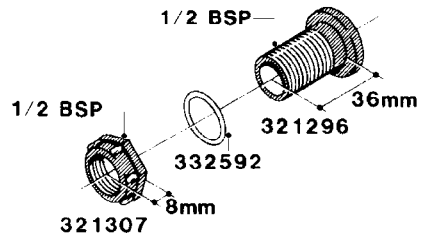
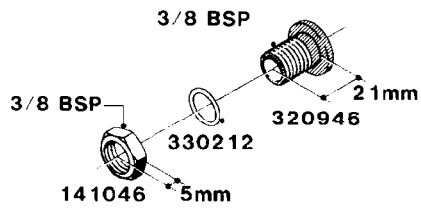
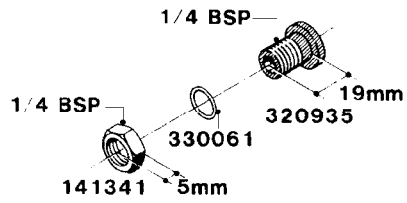
| parts-n° | order qty | description |
|----------|-----------|--------------------------------|
| 10530803 | 1 | FITT.PO.SE 2.00X2.00 45 DEG. |
| 320191 | 1 | FITT.DK ELB 3/8' BSP 45 DEGREE |
| 320482 | 1 | FITT.DK ELB. 1/2" BSP 60 DEG. |
| 320596 | 1 | FITT.DK ELB 3/8'-1/2'BSP 45DEG |
| 320607 | 1 | FITT.DK HN 3/8M X 3/8F BSP LNG |
| 320633 | 1 | FITT.DK HN 3/8"M X 3/8"F BSP |
| 321451 | 1 | FITT.DK ELB.1-1/2 X1-1/4 80DEG |
| 321532 | 1 | FITT.DK REDUC 3/4' X 1/2' BSP |
| 390233 | 1 | FITT.DK REDUC 1-1/2" X 1" BSP |



L0050



| parts-n° | order qty | description |
|----------|-----------|--------------------------------|
| 242594 | 1 | O-RING D14 X 1.78 SCH.70-EPDM |
| 320294 | 1 | FITT.DK TEE 3/8X3/8HB X1/2"BSP |
| 320305 | 1 | FITT.DK HB 3/4'- 3/4' BSP |
| 320386 | 1 | FITT.DK TEE 3/8X3/8HB X3/8"BSP |
| 320397 | 1 | FITT.DK ELB 3/8"HB X 3/8" BSP |
| 320401 | 1 | FITT.DK TEE 1/2X1/2HB X1/2"BSP |
| 320412 | 1 | FITT.DK TEE 1/2X1/2HB X3/8'BSP |
| 320423 | 1 | FITT.DK ELB 1/2'HB X 3/8' BSP |
| 320891 | 1 | FITT.DK HB 3/8'- 3/8' BSP |
| 320972 | 1 | FITT.DK HB 5/16'- 1/4' BSP |
| 322046 | 1 | FITT.DK TEE 1/2X1/2HB X3/4'BSP |
| 322048 | 1 | FITT.DK TEE 3/4X3/4HB X3/4'BSP |
| 330595 | 1 | O-RING D24.6/D20X2.1 -3/4" |
| 333137 | 1 | FITT.DK CONN.1/2" F.NOZZ. DOUB |
| 333141 | 1 | FITT.DK CONN.1/2" F.NOZZ.SING |
| 334041 | 1 | FITT.DK CONN.3/4' F.NOZZ. SING |
| 334042 | 1 | FITT.DK CONN.3/4' F.NOZZ. DOUB |
| 334195 | 1 | FITT.DK ELB. 3/4"HB X 3/4"HB |
| 10012103 | 1 | FITT.PO.HB 1.25X1.50 IMB1012 |
| 10014003 | 1 | FITT.PO.HB 1.25X1.25 IMB1010 |
| 10036903 | 1 | FITT.PO.HB 1.50X1.50 IMB1212 |
| 28019303 | 1 | FITTING HB ELB 3/4NPT-3/4HOSE |
| 61016500 | 1 | HOSE TAIL 3/4" 90°+RG CAP 3/4" |
| 72026700 | 1 | NOZZLE TUBE ADAPTER W/O-RING |



L0060

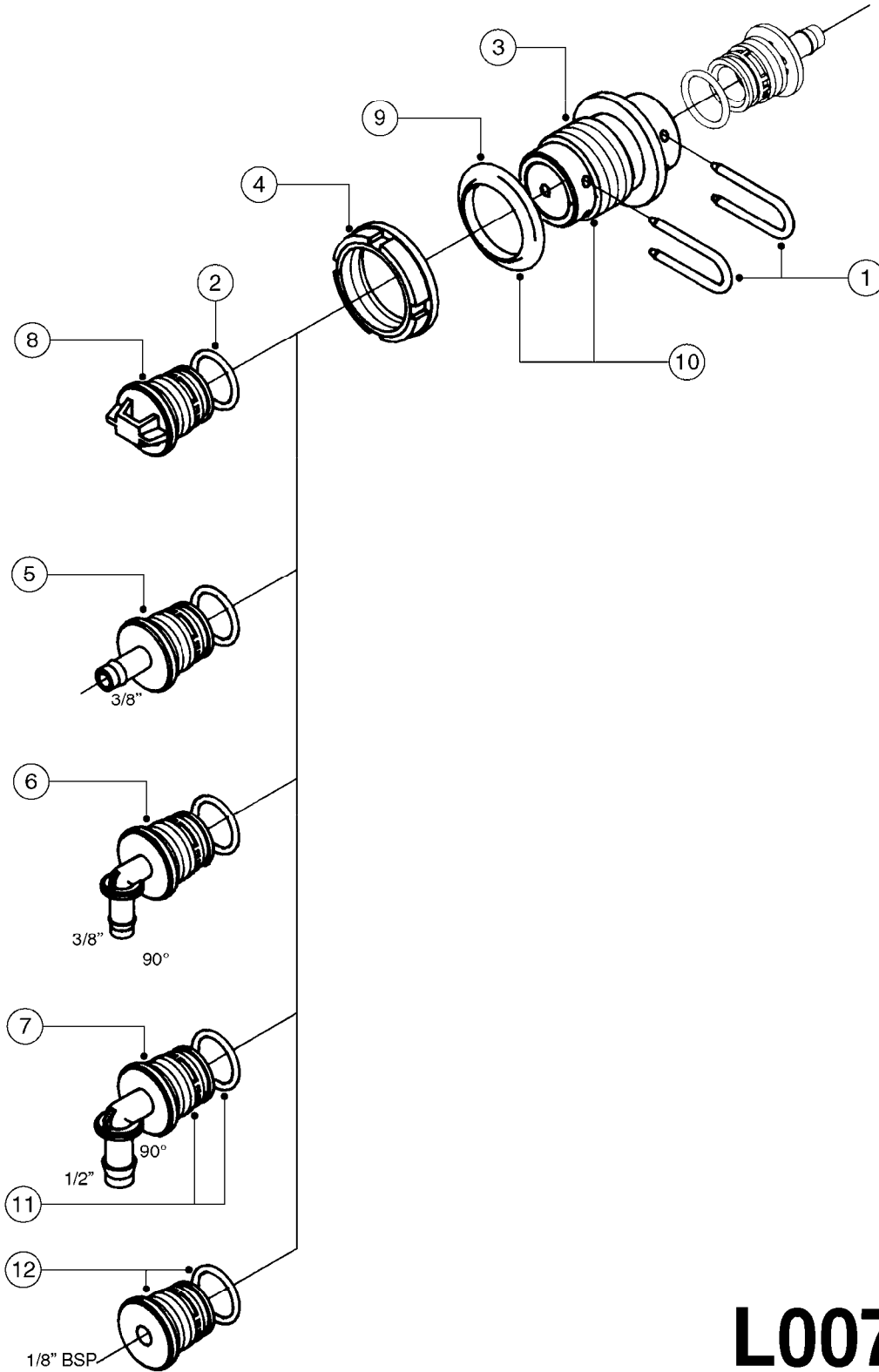


FITTINGS - BULKHEAD
L0060-HIN, 01:01:16

Page 1

Date 07.02.2020 10:26

| parts-n° | order qty | description |
|----------|-----------|--------------------------------|
| 141046 | 1 | NUT 3/8" BSP |
| 141341 | 1 | NUT 1/4' BSP |
| 240284 | 1 | O-RING D82,5/75 X 3,5 |
| 320456 | 1 | FITT.DK BULKHEAD 1"BSP DOUBLE |
| 320467 | 1 | FITT.DK BULKHEAD 1"BSP SINGLE |
| 320471 | 1 | FITT.DK NUT 1" BSP JAMB |
| 320541 | 1 | FITT.DK BULKHEAD 2-1/2'BSP SIN |
| 320552 | 1 | FITT.DK NUT 2-1/2' BSP JAMB |
| 320644 | 1 | FITT.DK ELB.3/4"HB X 1" BSP |
| 320784 | 1 | FITT.DK CAP 1-1/2" BSP |
| 320795 | 1 | FITT.DK NUT 1-1/2" BSP JAMB |
| 320935 | 1 | FITT.DK BULKHEAD 1/4' BSP SING |
| 320946 | 1 | FITT.DK BULKHEAD 3/8' BSP SING |
| 321296 | 1 | FITT.DK BULKHEAD 1/2" BSP SING |
| 321307 | 1 | FITT.DK NUT 1/2" BSP JAMB |
| 321333 | 1 | FITT.DK BULK 1-1/2" X 1"F BSP |
| 330061 | 1 | O-RING D16/D11X2,5 |
| 330072 | 1 | O-RING D53.5/D45.5X4 |
| 330212 | 1 | O-RING D19/D14X2.4 F.1/2"NUT |
| 332577 | 1 | O-RING D38/D30X4 F.1" PUR. |
| 332592 | 1 | O-RING D26/D20X3 |



L0070

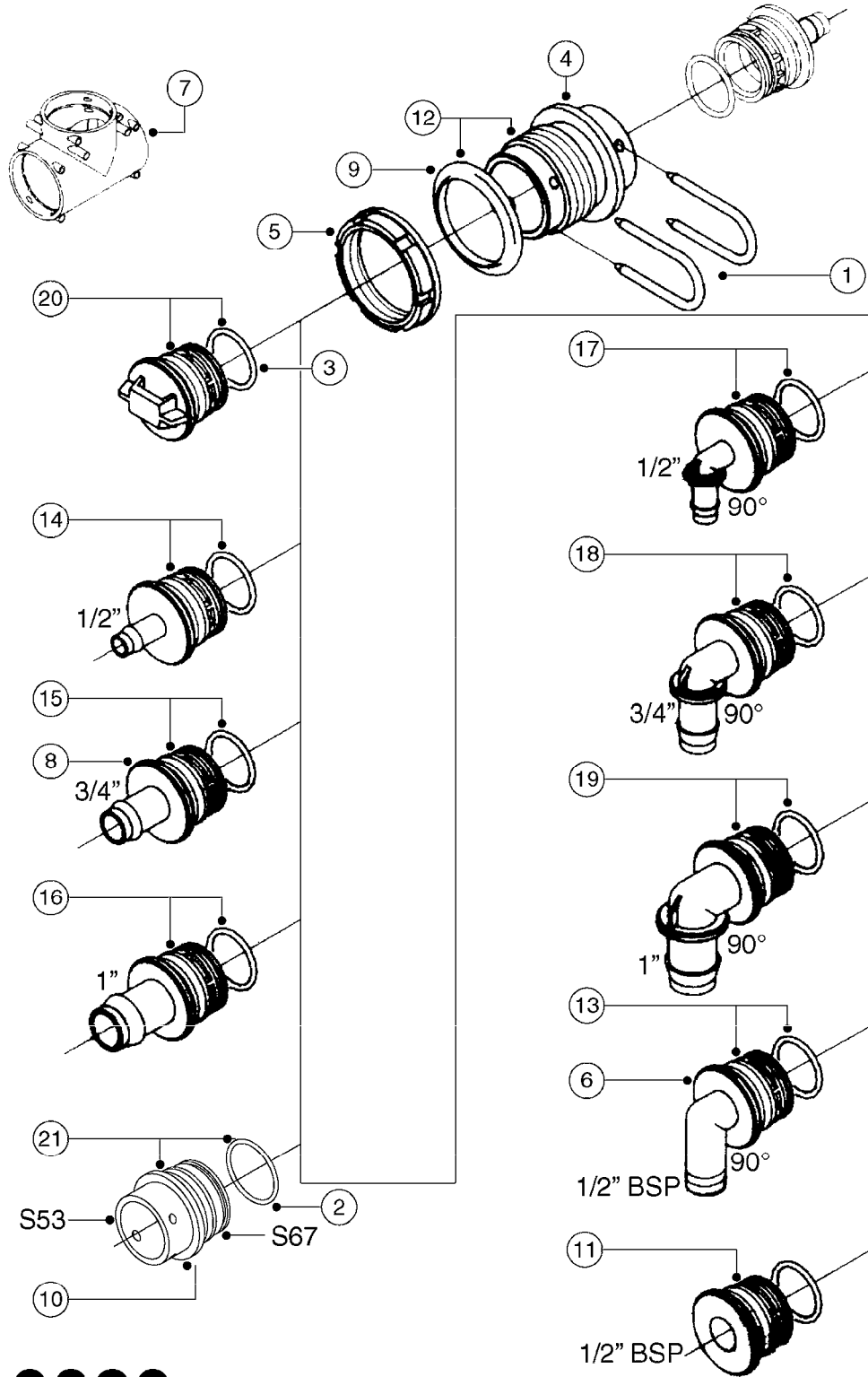


FITTINGS - S-40
L0070-HIN, 13:09:17

Page 1

Date 07.02.2020 10:26

| Pos. | parts-n° | order qty | description |
|------|----------|-----------|--|
| 1 | 145994 | 1 | FITT.DK S-40 FORK |
| 2 | 242108 | 1 | O-RING 3 X 19,2 70SH NITRIL NITRIL (BLACK) |
| 2 | 242355 | 1 | O-RING D19.2X3.0 VITON F.S-40 VITON (BROWN) |
| 3 | 322102 | 1 | FITT.DK S-40 BULKHEAD |
| 4 | 322106 | 1 | FITT.DK S-40 BULKHEAD NUT |
| 5 | 334225 | 1 | FITT.DK S-40 STR.3/8" |
| 6 | 334237 | 1 | FITT.DK S-40 ELB.3/8" |
| 7 | 334238 | 1 | FITT.DK S-40 ELB.1/2" |
| 8 | 334248 | 1 | FITT.DK S-40 PLUG |
| 9 | 334259 | 1 | GASKET F. S-40 BULKHEAD |
| 10 | 726462 | 1 | FITT. S40 BULKHEAD W.GASKET |
| 11 | 726567 | 1 | FITT.DK S-40 ELB.1/2" W.O-RING |
| 12 | 726693 | 1 | FITT.DK S-40 PLUG 1/8BSP ORING |



L0080

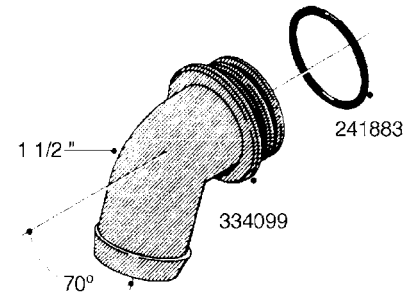
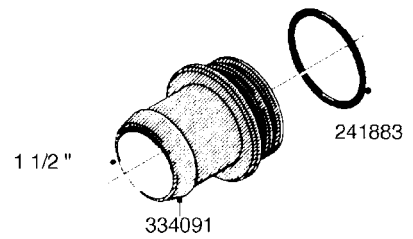
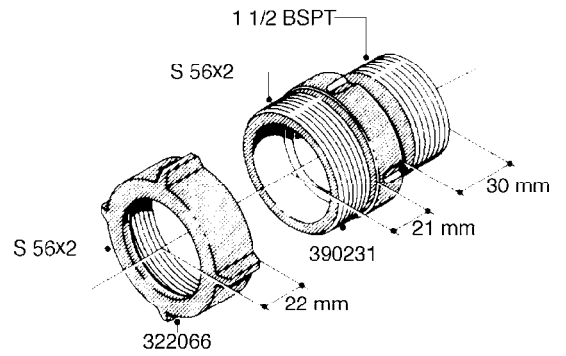
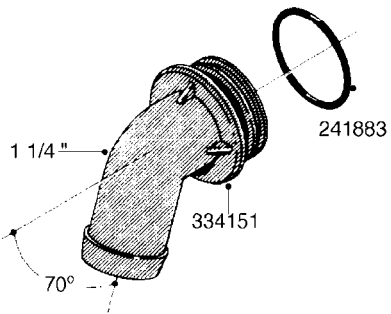
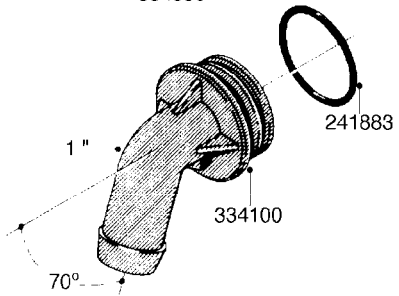
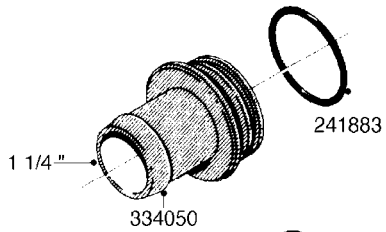
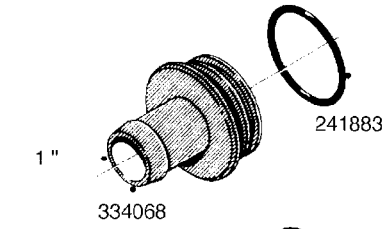
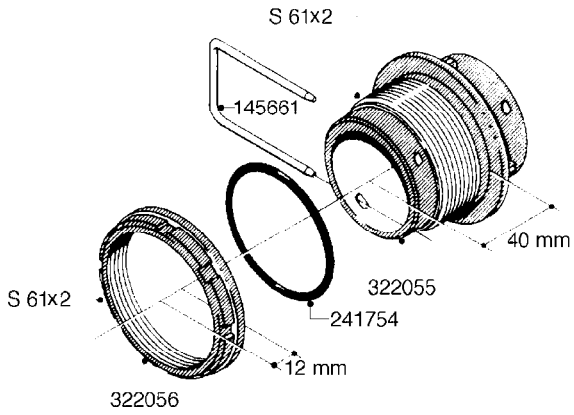


FITTINGS - S-53
L0080-HIN, 12:09:17

Page 1

Date 07.02.2020 10:26

| Pos. | parts-n° | order qty | description |
|------|----------|-----------|--|
| 1 | 145995 | 1 | FITT.DK S-53 FORK |
| 2 | 241973 | 1 | O-RING Ø3 X 44.2 70 SHORES NITRIL NITRIL (BLACK) |
| 2 | 242353 | 1 | O-RING 3 X 44.2 VITON VITON (BROWN) |
| 3 | 242109 | 1 | O-RING D32.2x3.0 NITRIL (BLACK) |
| 3 | 242354 | 1 | O-RING D32.2X3.0 VITON VITON (BROWN) |
| 4 | 322103 | 1 | FITT.DK S-53 BULKHEAD |
| 5 | 322107 | 1 | FITT.DK S-53 BULKHEAD NUT |
| 6 | 322110 | 1 | FITT.DK S-53 ELB. 1/2" BSP |
| 7 | 322352 | 1 | FITT.DK S-53 TEE |
| 8 | 334229 | 1 | FITT.DK S-53 STR.3/4" |
| 9 | 334260 | 1 | GASKET F. S-53 BULKHEAD |
| 10 | 334564 | 1 | FITT.DK S-67 TO S-53 ADAPTER |
| 11 | 391100 | 1 | FITT.DK S-53THREAD INS.1/2"BSP |
| 12 | 726463 | 1 | FITT.DK S53 BULKHEAD W/GASKET |
| 13 | 726552 | 1 | FIT.DK S-53X90 1/2" BSP,O-RING |
| 14 | 726556 | 1 | FITT.DK S-53 HB 1/2" W/O-RING |
| 15 | 726558 | 1 | FITT.DK S53 STR. 3/4" W.ORING |
| 16 | 726559 | 1 | FITT DK. S-53 HB 1" W/O-RING |
| 17 | 726568 | 1 | FITT.DK.S-53 HB 1/2"90 W/O-RING |
| 18 | 726570 | 1 | FITT.DK S-53 ELB.3/4" W.ORING |
| 19 | 726571 | 1 | FITT.DK S-53 ELB.1", W ORING |
| 20 | 726578 | 1 | FITT.DK S53 PLUG WITH O-RING |
| 21 | 728561 | 1 | FITT.DK. S67M - S53F REDUCER |



L0090

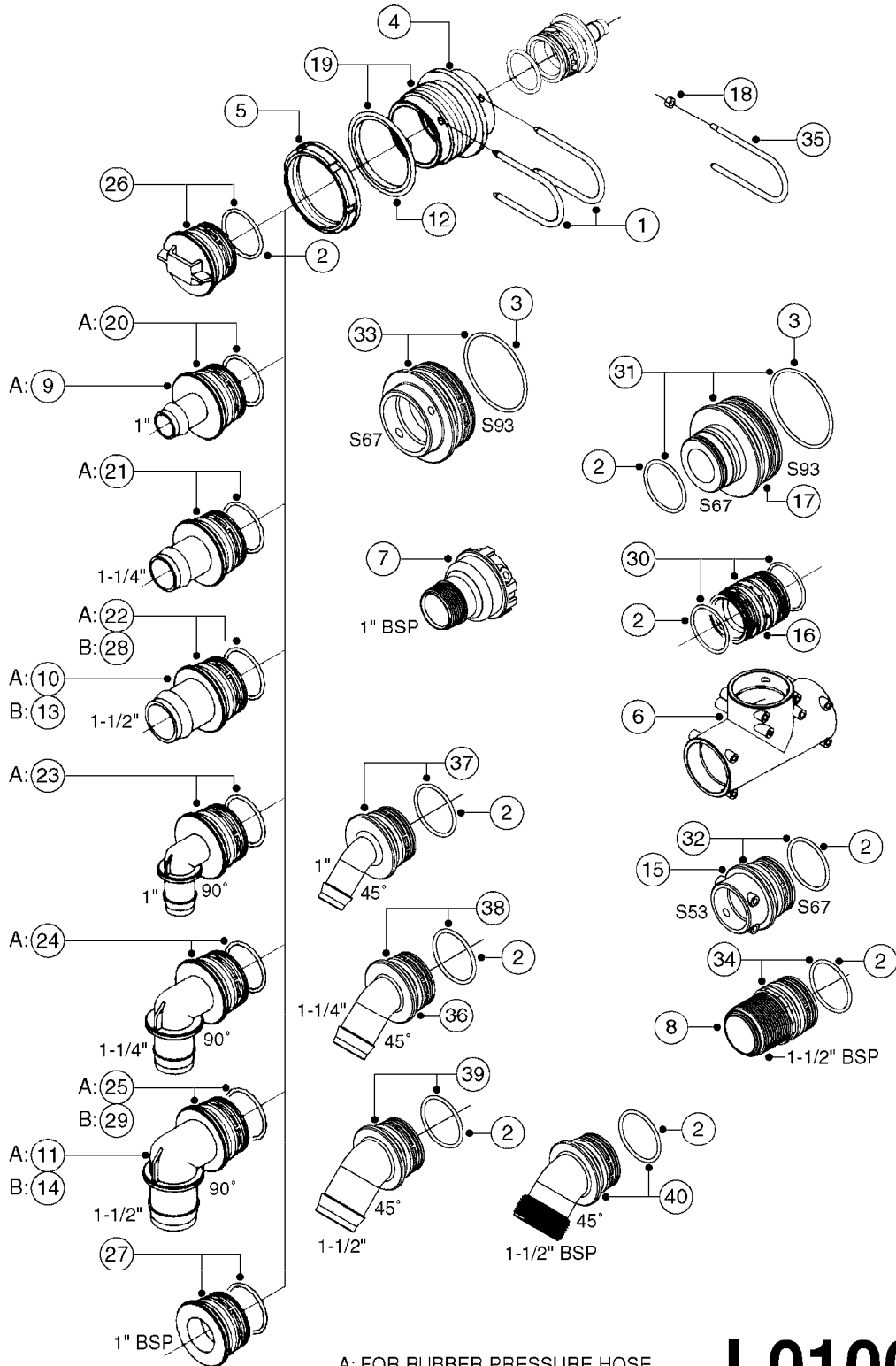


FITTINGS - S-56 & S-61
L0090-HIN, 01:01:16

Page 1

Date 07.02.2020 10:26

| parts-n° | order qty | description |
|----------|-----------|--------------------------------|
| 145661 | 1 | FITT.DK S-61 FORK |
| 241754 | 1 | O-RING D59.5X3 |
| 241883 | 1 | O-RING 3 X 39.2 NITRIL |
| 322055 | 1 | FITT.DK S-61 BULKHEAD |
| 322056 | 1 | FITT.DK S-61 BULKHEAD NUT |
| 322066 | 1 | FITT.DK S-56 NUT |
| 334050 | 1 | FITT.DK S-61 STR.1-1/4" |
| 334068 | 1 | FITT.DK S-61 STR.1" |
| 334091 | 1 | FITT.DK S56 STR.1-1/2' |
| 334099 | 1 | FITT.DK S-61 ELB.1-1/2"110 DEG |
| 334100 | 1 | FITT.DK S-61 ELB.1" 110 DEG. |
| 334151 | 1 | FITT.DK S-61 ELB.1-1/4"110 DEG |
| 390231 | 1 | FITT.DK NIPPLE 1-1/2 X S56 |



A: FOR RUBBER PRESSURE HOSE
B: FOR PVC SPIRAL HOSE

L0100



FITTINGS - S-67
L0100-HIN, 21:06:18

Page 1

Date 07.02.2020 10:26

| Pos. | parts-n° | order qty | description |
|------|----------|-----------|--|
| 1 | 145996 | 1 | FITT.DK S-67 FORK |
| 2 | 241973 | 1 | O-RING Ø3 X 44.2 70 SHORES NITRIL NITRIL (BLACK) |
| 2 | 242353 | 1 | O-RING 3 X 44.2 VITON VITON (BROWN) |
| 3 | 242092 | 1 | O-RING D69.5X3 NITRIL (BLACK) |
| 3 | 242351 | 1 | O-RING D69.5X3.0 VITON F.S-93 VITON (BROWN) |
| 4 | 322104 | 1 | FITT.DK S-67 BULKHEAD |
| 5 | 322108 | 1 | FITT.DK S-67 BULKHEAD NUT |
| 6 | 322224 | 1 | FITT.DK S-67 TEE |
| 7 | 322321 | 1 | FITT.DK S-67 X 1"BSP MALE |
| 8 | 322325 | 1 | FITT.DK S-67 X 1-1/2"BSP LONG |
| 9 | 334231 | 1 | FITT.DK S-67 STR.1" |
| 10 | 334233 | 1 | FITT.DK S-67 STR.1-1/2" RUBBER |
| 11 | 334245 | 1 | FITT.DK S-67 ELB. 1-1/2"RUBBER |
| 12 | 334261 | 1 | GASKET F. S-67 BULKHEAD |
| 13 | 334444 | 1 | FITT.DK S-67 STR.1-1/2" PVC |
| 14 | 334445 | 1 | FITT.DK S-67 ELB.1-1/2" |
| 15 | 334564 | 1 | FITT.DK S-67 TO S-53 ADAPTER |
| 16 | 334573 | 1 | FITT.DK S-67 CONNECTOR |
| 17 | 334634 | 1 | FITT.DK ADAPTER S-93M S67M |
| 18 | 461217 | 1 | NUT HEX M5 LOCK |
| 19 | 726464 | 1 | FITT.DK S-67 BULKHEAD W/GASKET |
| 20 | 726560 | 1 | FITT.DK S-67 STR.1" W.O'RING |
| 21 | 726561 | 1 | FITT.DK S-67 STR.1-1/4" O-RING |
| 22 | 726562 | 1 | FITT.DK.S-67 HB 1-1/2"W.O-RING |
| 23 | 726572 | 1 | FITT.DK S-67 1" ELBOW 90 ASSY. |
| 24 | 726573 | 1 | FITT. S67 5/4" 90° W/O-RING |
| 25 | 726574 | 1 | FITT.DK S67X90,1.5HB PRESSURE |
| 26 | 726579 | 1 | FITT. S67 PLUG W/O-RING |
| 27 | 726695 | 1 | FITTING S67 - BSP 1" + O-RING |
| 28 | 727223 | 1 | FITT.S67 1.5" STRAIT S W/ORING |
| 29 | 727224 | 1 | FITT.DK S67X90,1.5HB SUCTION |
| 30 | 728526 | 1 | FITT.DK S-67 CONNECT W/O-RINGS |
| 31 | 728527 | 1 | ADAPTER S67M TO S93M W/ORING |
| 32 | 728561 | 1 | FITT.DK. S67M - S53F REDUCER |
| 33 | 728562 | 1 | FITT.DK S-93 TO S67 ADAPTOR |
| 34 | 728578 | 1 | FITT.DK S-67X1-1/2"BSP LG W/O-RING |
| 35 | 14012200 | 1 | FITT.DK S-67 FORK W/M5 THREADS |
| 36 | 33509700 | 1 | FITT.DK S-67 45° 1-1/4" |
| 37 | 72433000 | 1 | FITT.S67 1" 45° W/O-RING |
| 38 | 72433100 | 1 | FITT.DK S-67 45° 1-1/4"W/ORING |
| 39 | 72433200 | 1 | FITT.S67 1-1/2" 45°PVC W/O-RING |
| 40 | 72433400 | 1 | FITT.S67 1-1/2" 45°BSP W/ORING |

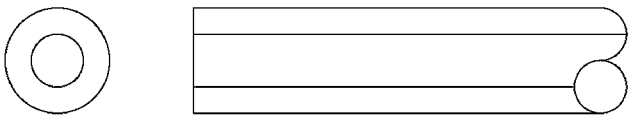
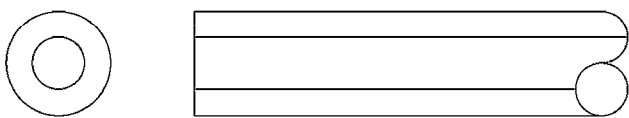
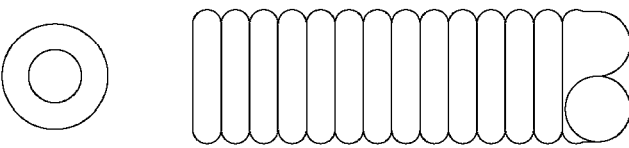
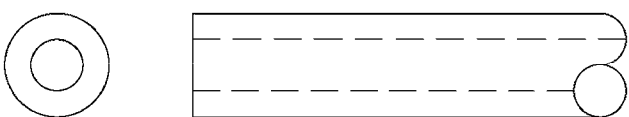
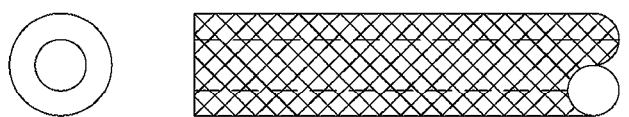
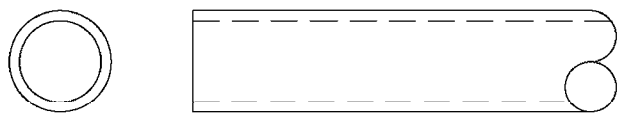


FITTINGS - S-93
L0110-HIN, 13:09:17

Page 1
Date 07.02.2020 10:26

| Pos. | parts-n° | order qty | description |
|------|----------|-----------|--|
| 1 | 145997 | 1 | FITT.DK S-93 FORK |
| 2 | 147115 | 1 | FITT.DK S-93 FORK SPECIAL |
| 3 | 147774 | 1 | FITT.DK S-93 FORK W. M5 THREAD |
| 4 | 241973 | 1 | O-RING Ø3 X 44.2 70 SHORES NITRIL NITRIL (BLACK) |
| 4 | 242353 | 1 | O-RING 3 X 44.2 VITON VITON (BROWN) |
| 5 | 242092 | 1 | O-RING D69.5X3 NITRIL (BLACK) |
| 5 | 242351 | 1 | O-RING D69.5X3.0 VITON F.S-93 VITON (BROWN) |
| 6 | 242221 | 1 | GASKET F. S-93 QUICK COUPLERS |
| 7 | 322105 | 1 | FITT.DK S-93 BULKHEAD DOUBLE |
| 8 | 322109 | 1 | FITT.DK S-93 BULKHEAD NUT |
| 9 | 322165 | 1 | FITT.DK S-93 BULKHEAD SINGLE |
| 10 | 334234 | 1 | FITT.DK S-93 STR.2" RUBBER |
| 11 | 334246 | 1 | FITT.DK S-93 ELB.2" PVC |
| 12 | 334262 | 1 | GASKET F.S-93 BULKHEAD |
| 13 | 334304 | 1 | FITT.DK S-93 STR.1-1/2" PVC |
| 14 | 334426 | 1 | FITT.DK S-93 STR.2" |
| 15 | 334545 | 1 | FITT.DK S-93 TEE |
| 16 | 334601 | 1 | FITT.DK S-93 TO S67 ADAPTOR |
| 17 | 334634 | 1 | FITT.DK ADAPTER S-93M S67M |
| 18 | 390485 | 1 | FITT.DK S-93 PLUG W D34 HOLE |
| 19 | 390721 | 1 | FITT.DK S-93 PLUG W/2" NPT THRE |
| 20 | 461217 | 1 | NUT HEX M5 LOCK |
| 21 | 726465 | 1 | FITT.DK S-93 BULKHEAD W/GASKET |
| 22 | 726563 | 1 | FITT.DK S-93 STR 2" W/O-RING |
| 23 | 726564 | 1 | HOSE TAIL 2-1/2" W.O-RING |
| 24 | 726575 | 1 | FITT.DK S-93 ELB. 2" RUBBER |
| 25 | 726576 | 1 | FITT. DK S-93 2-1/2" 90° |
| 26 | 726580 | 1 | FITT. S93 PLUG W/O-RING |
| 27 | 727133 | 1 | FITT. S93 2-1/2" STR. S W/O-RI |
| 28 | 727225 | 1 | FITT.DK S-93 ELB.2'PVC W/ORING |
| 29 | 727226 | 1 | FITT. S93 2-1/2" 90° S W/O-RING |
| 30 | 727227 | 1 | FITT.DK S-93 STR.2" W/ORING |
| 31 | 727235 | 1 | QUICK COUPLER FEMALE W 1-1/2HB |
| 32 | 727236 | 1 | QUICK COUPLER FEMALE W 2" HB |
| 33 | 727237 | 1 | QUICK COUPLER FEMALE W2-1/2" HB |
| 34 | 727339 | 1 | FITT. S93 DRAIN BULKHEAD W/O-R |
| 35 | 727476 | 1 | FITT. DK S-93 2"FM THD W.ORING |
| 36 | 727777 | 1 | QUICK COUPLER S93 DRAIN W/O-RI |
| 37 | 728120 | 1 | QUICK COUPLER CAP F.S93 DRAIN |
| 38 | 728395 | 1 | FITT.DK S-93 ELB.1-1/2" 90 DEG |
| 39 | 728523 | 1 | FITT.DK S-93 STR.1-1/2" W.O-RING |
| 40 | 728525 | 1 | FITT. S93 CONNECTOR W/O-RINGS |
| 41 | 728527 | 1 | ADAPTER S67M TO S93M W/ORING |
| 42 | 728562 | 1 | FITT.DK S-93 TO S67 ADAPTOR |
| 43 | 729828 | 1 | FITT.DK S-93 ELB 2-1/2" RED |
| 44 | 729829 | 1 | FITT.DK S-93 ELB 2 RED |
| 45 | 729830 | 1 | FITT.DK S-93 ELB 1-1/2" 90 RED |
| 46 | 39121700 | 1 | FITT.DK S93 ADAP LG MALE MALE |
| 47 | 72072700 | 1 | FITT.DK S-93 45D 2" PVC |
| 48 | 72072900 | 1 | FITT. S93 2-1/2" 45° S W/O-RING |



| I.D. | PART # (ONE FOOT) | |
|--|--|--|
| 3/8" 1/2" 3/4" 1" 1-1/4" 1-1/2" | 92701703 92702103 92703203 92712403 92734403 92736503 |  RUBBER HOSE |
| 5/16" 3/8" 1/4" 1/2" 3/4" | 927281 927284 927268 927269 927270 |  PVC HOSE |
| 1" 1-1/4" 1-1/2" 2" 2-1/2" | 92702403 92738900 92702603 92702703 92702803 |  PVC SPIRAL SUCTION HOSE, GRAY |
| 3/4" 1-1/4" | 927205 92703503 |  CLEAR HOSE, SMOOTH |
| 1/2" 3/4" | 10631003 927231 |  PVC HOSE, CLEAR, REINFORCED |
| 4mm 6mm 8mm 10mm .25" .38" | 927253 RED 927264 RED 927306 BLACK 927330 BLACK 92703303 BLACK 92703403 BLACK |  PVC AIR HOSE, SMOOTH |

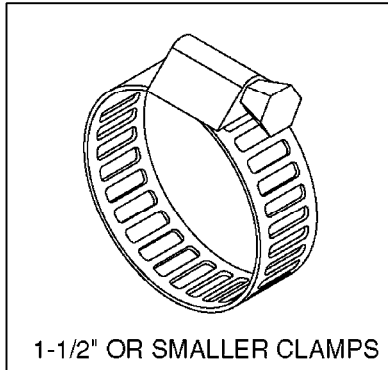
L0120



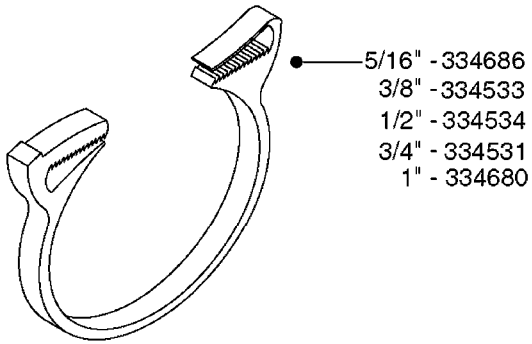
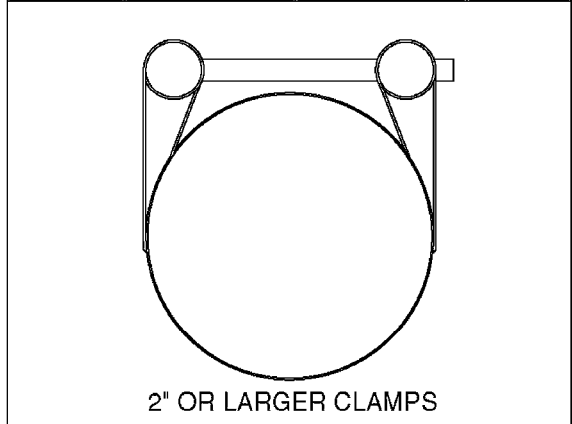
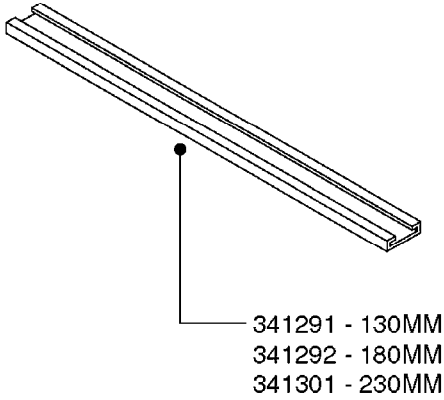
BULK HOSE
L0120-HIN, 17:10:19

Page 1
Date 07.02.2020 10:26

| parts-n° | order qty | description |
|----------|-----------|------------------------------------|
| 927205 | 1 | HOSE R X CLEAR X 3/4 X 0012" |
| 927231 | 1 | HOSE R X PVCX3/4 CLR/BRD 0012" |
| 927253 | 1 | RED AIR HOSE, Ø4/2 1810 E |
| 927264 | 1 | HOSE R X PE D6/D4 X 0012" |
| 927268 | 1 | HOSE BLUE PVC X 1/4 X 0012" |
| 927269 | 1 | HOSE R X PVC X 1/2 X 0012" |
| 927270 | 1 | HOSE R X PVC X 3/4 X 0012" |
| 927281 | 1 | HOSE R X PVC X 5/16 X 0012" |
| 927284 | 1 | HOSE 3/8 PVC W/ INSERT |
| 927306 | 1 | HOSE R X PE D8/D6 X 0012"BLACK |
| 927330 | 1 | HOSE R X PE D10/D8 X 012"BLACK |
| 10631003 | 1 | HOSE R X CLEAR BRAID.X 1/2 12" |
| 92701703 | 1 | HOSE R X3/8" X300PSI WP X0012" |
| 92702103 | 1 | HOSE R X1/2" X300PSI WP X0012" |
| 92702403 | 1 | HOSE PVC SUCT GRAY 1" |
| 92702603 | 1 | HOSE PVC SUCT GRAY 1-1/2" |
| 92702703 | 1 | HOSE PVC SUCT GRAY 2" |
| 92702803 | 1 | HOSE PVC SUCT GRAY 2.5" |
| 92703203 | 1 | HOSE R X3/4" X300PSI WP X0012" |
| 92703303 | 1 | HOSE LLDPE .25"X.17"X12" BLACK |
| 92703403 | 1 | HOSE LLDPE .38"X.25"X12" BLACK |
| 92703503 | 1 | HOSE VINYL CLEAR 1-1/4" OD X 1" ID |
| 92712403 | 1 | HOSE R X1" X300PSI WP X0012" |
| 92734403 | 1 | HOSE R X5/4" X200PSI WP X0012" |
| 92736503 | 1 | HOSE R X1.5" X200PSI WP X0012" |
| 92738900 | 1 | HOSE R X PVC X 1-1/4" 0012" |



| Hose Size | Pressure | Suction | Clamp Code |
|-----------|----------|----------|------------|
| 5/16" | 284582 | | - |
| 3/8" | 28044903 | | 6706 |
| 1/2" | 28029803 | | 6708 |
| 3/4" | 28029903 | | 6712 |
| 1" | 28030003 | 28029903 | 6716 |
| 1-1/4" | 28030103 | | 6724 |
| 1-1/2" | | 28030103 | 6724 |
| 2" | | 28030203 | 235-67 |
| 2-1/2" | | 28030303 | 235-74 |
| 3" | | 28030403 | 235-87 |



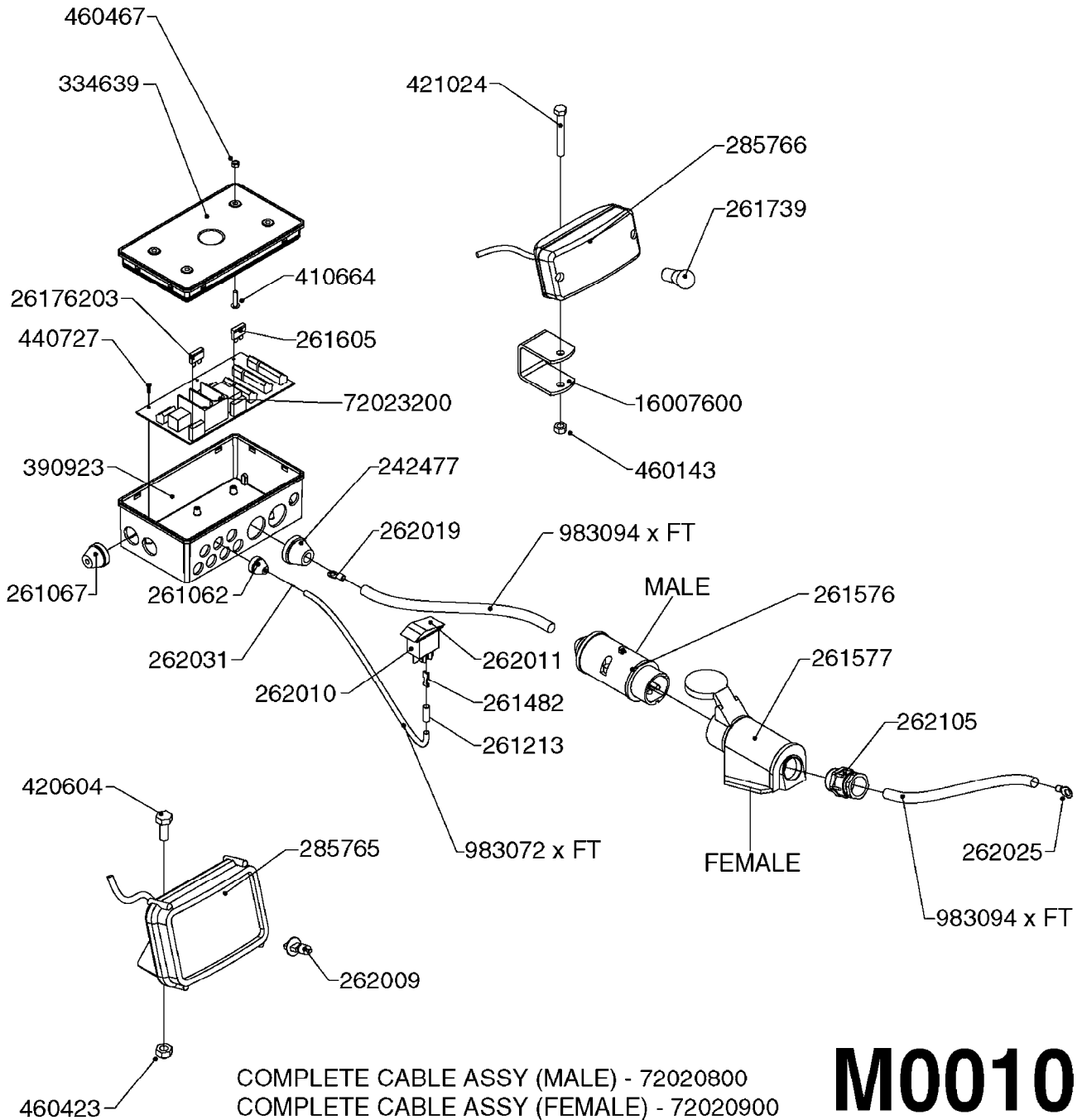
L0130



HOSE CLAMPS
L0130-HIN, 16:10:19

Page 1
Date 07.02.2020 10:26

| parts-n° | order qty | description |
|----------|-----------|---------------------------------|
| 284582 | 1 | CLAMP HOSE GEAR - 5/16" |
| 334531 | 1 | CLAMP HOSE PLASTIC 3/4" |
| 334533 | 1 | CLAMP HOSE PLASTIC 3/8" |
| 334534 | 1 | CLAMP HOSE PLASTIC 1/2" |
| 334680 | 1 | CLAMP HOSE PLASTIC 1" |
| 334686 | 1 | CLAMP HOSE PLASTIC 5/16" |
| 341291 | 1 | RUBBER HOSE CLAMP COVER 130MM |
| 341292 | 1 | RUBBER HOSE CLAMP COVER 180MM |
| 341301 | 1 | RUBBER HOSE CLAMP COVER 230MM |
| 28029803 | 1 | CLAMP HOSE GEAR P1/2" 6708 |
| 28029903 | 1 | CLAMP HOSE GEAR P3/4"-S1" 6712 |
| 28030003 | 1 | CLAMP HOSE GEAR P1" 6716 |
| 28030103 | 1 | CLAMP HOSE GEAR P5/4-S1.5" 6724 |
| 28030203 | 1 | CLAMP HOSE T-BOLT S2" 235-67 |
| 28030303 | 1 | CLAMP HOSE T-BOLT S2.5" 235-76 |
| 28030403 | 1 | CLAMP HOSE T-BOLT S3" 235-82 |
| 28044903 | 1 | CLAMP HOSE GEAR P3/8" 6706 |

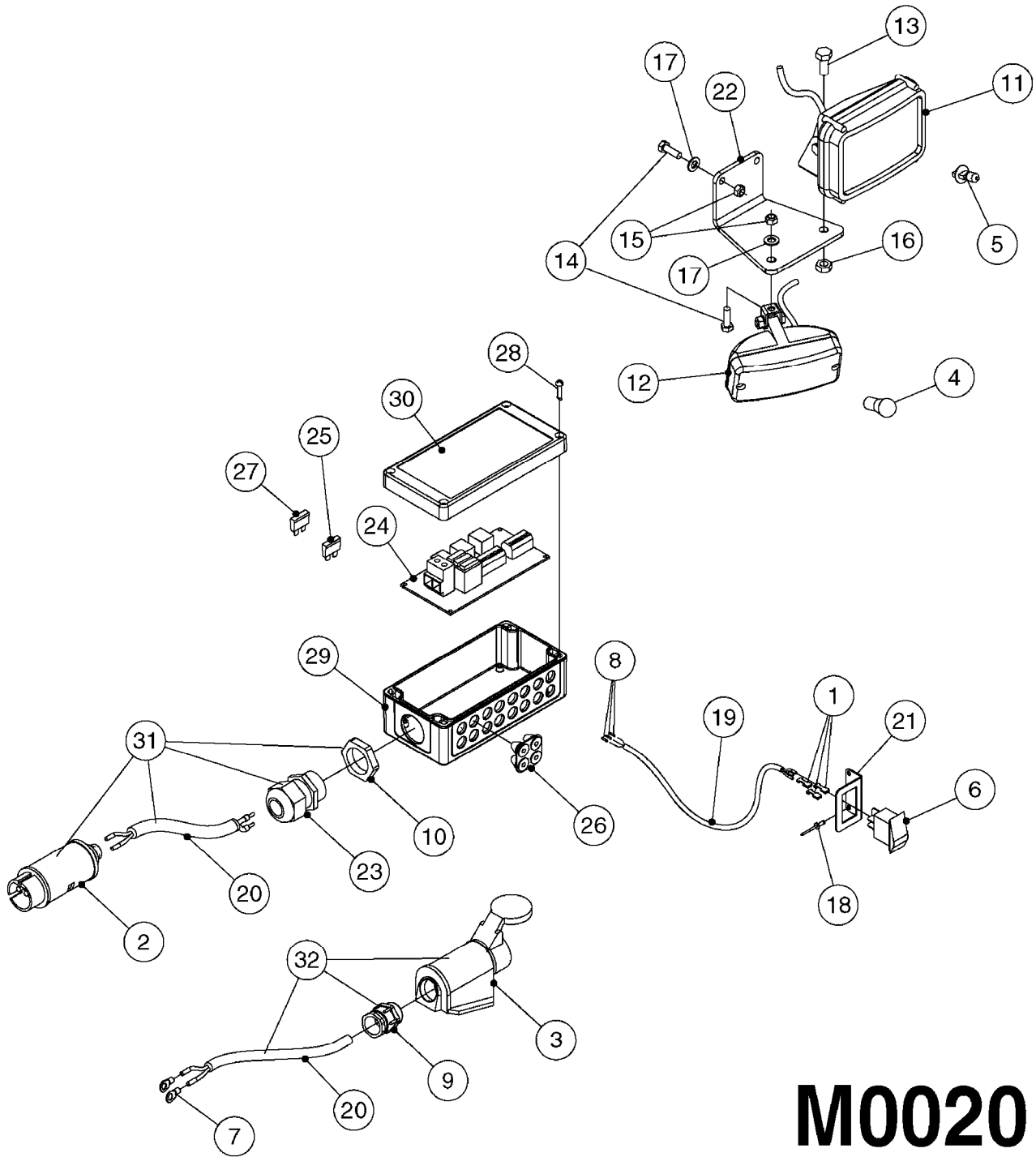




BOOM AND WORKING LIGHT KIT
M0010-HIN, 01:01:16

Page 1
Date 07.02.2020 10:26

| parts-n° | order qty | description |
|----------|-----------|-----------------------------------|
| 242477 | 1 | GROMMET 14-20 GREY |
| 261062 | 1 | GROMMET |
| 261067 | 1 | GROMMET 10-14 GREY |
| 261213 | 1 | WIRE 6.4MM BLACK |
| 261482 | 1 | SPADE TERMINAL 6.3X.8 1.0-2.5m |
| 261576 | 1 | PLUG ELEC.2 POLE MALE F.PILOT |
| 261577 | 1 | PLUG ELEC.2 POLE FEMALE- PILOT |
| 261605 | 1 | Fuse 25A ATOF Series |
| 261739 | 1 | BULB 12V 21W REPALCEMENT |
| 262009 | 1 | BULB 12V/55W HVID REPLACEMENT |
| 262010 | 1 | SWITCH, 1 TERMINAL |
| 262011 | 1 | RED TOGGLE F. SWITCH 262010 |
| 262019 | 1 | RING TERMINAL 10MM 2X6 |
| 262025 | 1 | RING TERMINAL 10MM2 08 |
| 262031 | 1 | RING TERMINAL 0.75MM 2 |
| 262105 | 1 | PLUG CASE M25X1.5 11-18 GRAY |
| 285765 | 1 | BOOM LIGHT |
| 285766 | 1 | SERVICE WORK LIGHT |
| 334639 | 1 | COVER F.EC PLASTIC BOX -LOWER |
| 390923 | 1 | PLASTIC BOX ELECTRICAL |
| 410664 | 1 | BOLT HEX M5 X 20 |
| 420604 | 1 | BOLT HEX 8.8 DEL M10X25 FT DIN933 |
| 421024 | 1 | BOLT HEX 8.8 DEL M8X60 |
| 440727 | 1 | SCREW F. PLASTIC 3X10 SS |
| 460143 | 1 | SELF LOCK NUT M8 SST A2 DIN985 |
| 460423 | 1 | NUT HEX M10X1.50 LOCK DIN985A2 SS |
| 460467 | 1 | NUT HEX M5 GALV. |
| 983072 | 1 | ELEC. CABLE 3 WIRE X 0.75MM |
| 983094 | 1 | CABLE 10MM2 X 12" |
| 16007600 | 1 | BRACKET F. WORK LIGHT CM+ |
| 26176203 | 1 | FUSE 5.0A QUICK-ACT. |
| 72020800 | 1 | CABLE 2X10MM2/MALE PLUG L=4500 |
| 72020900 | 1 | CABLE 2X10MM2/FEM. PLUG L=5000 |
| 72023200 | 1 | BOARD FOR FIELD LIGHTS |



M0020



BOOM AND WORKING LIGHT KIT 09
M0020-HIN, 11:12:17

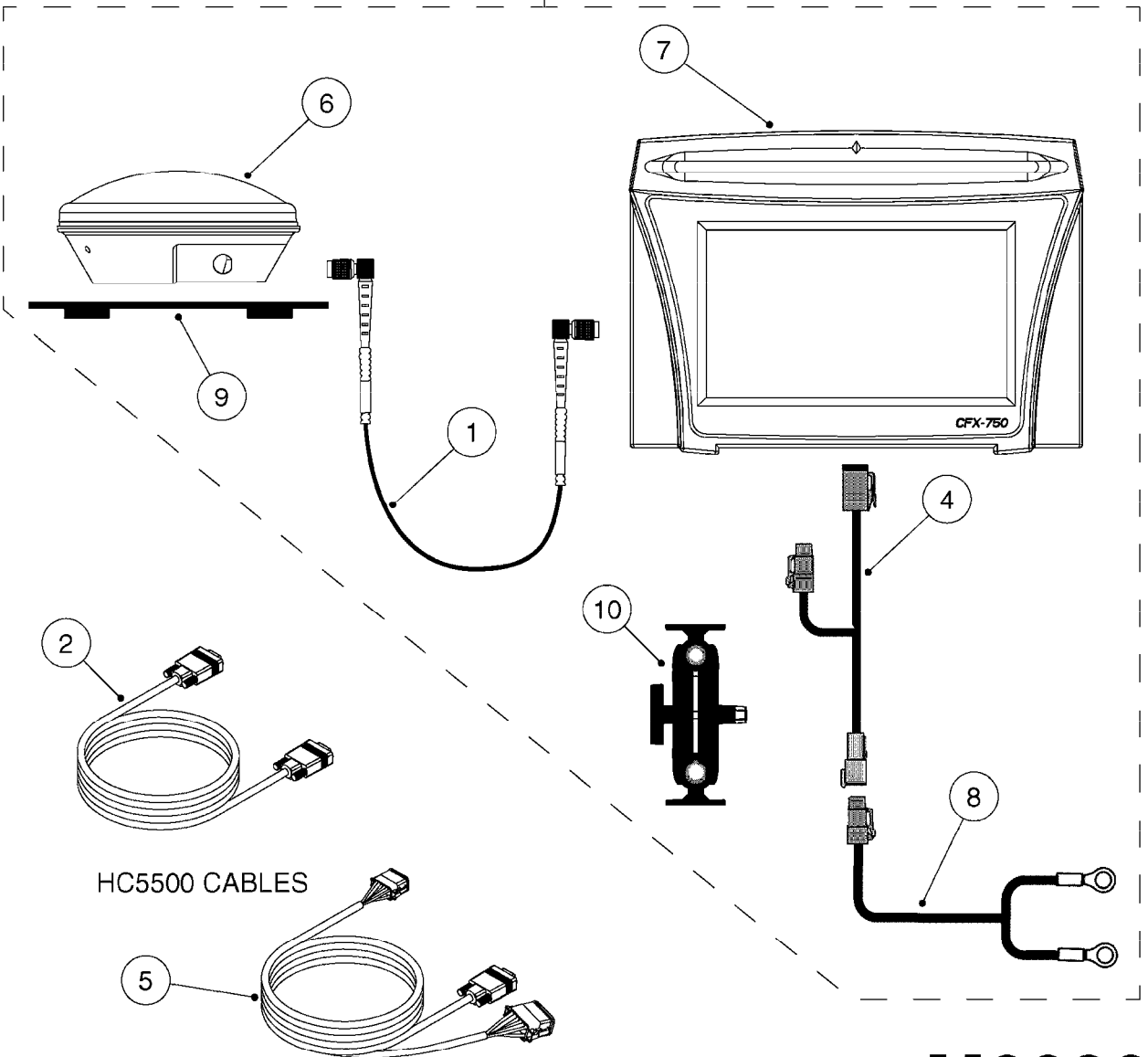
Page 1

Date 07.02.2020 10:26

| Pos. | parts-n° | order qty | description |
|------|----------|-----------|---------------------------------------|
| 1 | 261482 | 1 | SPADE TERMINAL 6.3X.8 1.0-2.5m |
| 2 | 261576 | 1 | PLUG ELEC.2 POLE MALE F.PILOT |
| 3 | 261577 | 1 | PLUG ELEC.2 POLE FEMALE- PILOT |
| 4 | 261739 | 1 | BULB 12V 21W REPALCEMENT |
| 5 | 262009 | 1 | BULB 12V/55W HVID REPLACEMENT |
| 6 | 262010 | 1 | SWITCH, 1 TERMINAL |
| 7 | 262025 | 1 | RING TERMINAL 10MM2 08 |
| 8 | 262031 | 1 | RING TERMINAL 0.75MM 2 |
| 9 | 262105 | 1 | PLUG CASE M25X1.5 11-18 GRAY |
| 10 | 262107 | 1 | NUT F. BULKHEAD CABLE GRAY |
| 11 | 285765 | 1 | BOOM LIGHT |
| 12 | 285766 | 1 | SERVICE WORK LIGHT |
| 13 | 420604 | 1 | BOLT HEX 8.8 DEL M10X25 FT DIN933 |
| 14 | 421046 | 1 | BOLT HEX M8X25/25 A2 SS DIN933 |
| 15 | 460143 | 1 | SELF LOCK NUT M8 SST A2 DIN985 |
| 16 | 460423 | 1 | NUT HEX M10X1.50 LOCK DIN985A2 SS |
| 17 | 471126 | 1 | WASHER, M8, Ø16/ 8.4X 1.6, SS |
| 18 | 480804 | 1 | RIVET Ø4.8x14.5 |
| 19 | 983072 | 1 | ELEC. CABLE 3 WIRE X 0.75MM |
| 20 | 983094 | 1 | CABLE 10MM2 X 12" |
| 21 | 16129600 | 1 | MOUNT PLATE SWITCH WORKING LHT |
| 22 | 16142400 | 1 | BRACKET FOR LIGHTS NCM |
| 23 | 26022800 | 1 | BULKHEAD F. CABLE 15-18 BLACK |
| 24 | 26057300 | 1 | WORK LIGHT PCB 13 |
| 25 | 26176203 | 1 | FUSE 5.0A QUICK-ACT. |
| 26 | 28048200 | 1 | WIRE GROMET RUBBER 4 HOLE |
| 27 | 28048600 | 1 | FULE 15A ATOF SERIES |
| 28 | 28082100 | 1 | SCREW F. BOX LID 1/4" L=20 |
| 29 | 33525400 | 1 | BOTTOM F. BOX 80X160 1+16 F. PT.SCREW |
| 30 | 33525500 | 1 | COVER F. BOX 80X160 W/PT.SCREW |
| 31 | 72020800 | 1 | CABLE 2X10MM2/MALE PLUG L=4500 |
| 32 | 72020900 | 1 | CABLE 2X10MM2/FEM. PLUG L=5000 |



3 COMPLETE ASSEMBLY



M0030

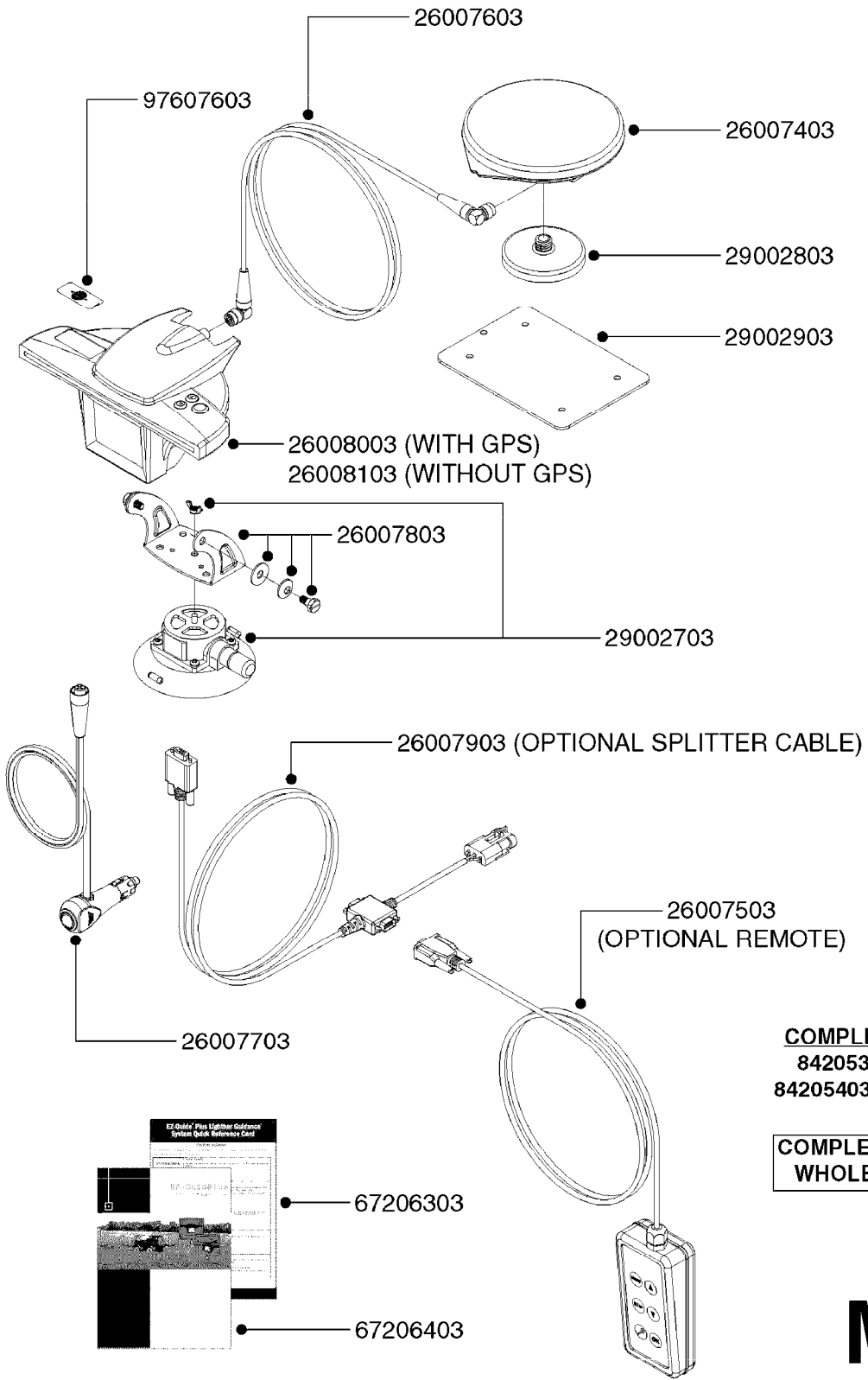


CFX-750 DISPLAY, DGPS
M0030-HIN, 01:01:16

Page 1

Date 07.02.2020 10:26

| Pos. | parts-n° | order qty | description |
|------|----------|-----------|--------------------------------|
| 1 | 26007603 | 1 | CABLE, ANTENNA, EZGUIDEPLUS |
| 2 | 26012003 | 1 | NULL MODEM CABLE |
| 3 | 26021403 | 1 | CFX-750 DISPLAY, DGPS |
| 4 | 26021603 | 1 | CABLE, POWER BUS, CAN CFX-750 |
| 5 | 26021703 | 1 | CABLE, ASC INTERFACE, CFX-750 |
| 6 | 26021803 | 1 | AG-25 ANTENNA L1/L2 GLN |
| 7 | 26022103 | 1 | CFX-750 DISPLAY ONLY |
| 8 | 26022603 | 1 | CFX-750 Basic Power Cable |
| 9 | 28048203 | 1 | EZ-GUIDE 500 MOUNT F.AG15 ANT. |
| 10 | 28048303 | 1 | EZ-GUIDE 250/500 RAM MNT.1.5" |



COMPLETE ASSEMBLY:
84205303 (WITH GPS)
84205403 (WITHOUT GPS)

**COMPLETE ASSEMBLIES
WHOLEGOODS ITEMS**

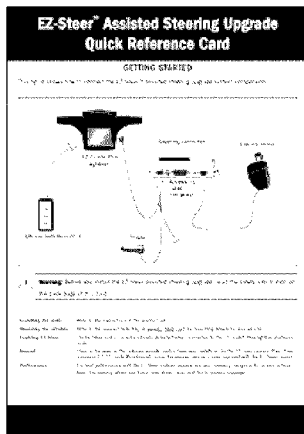
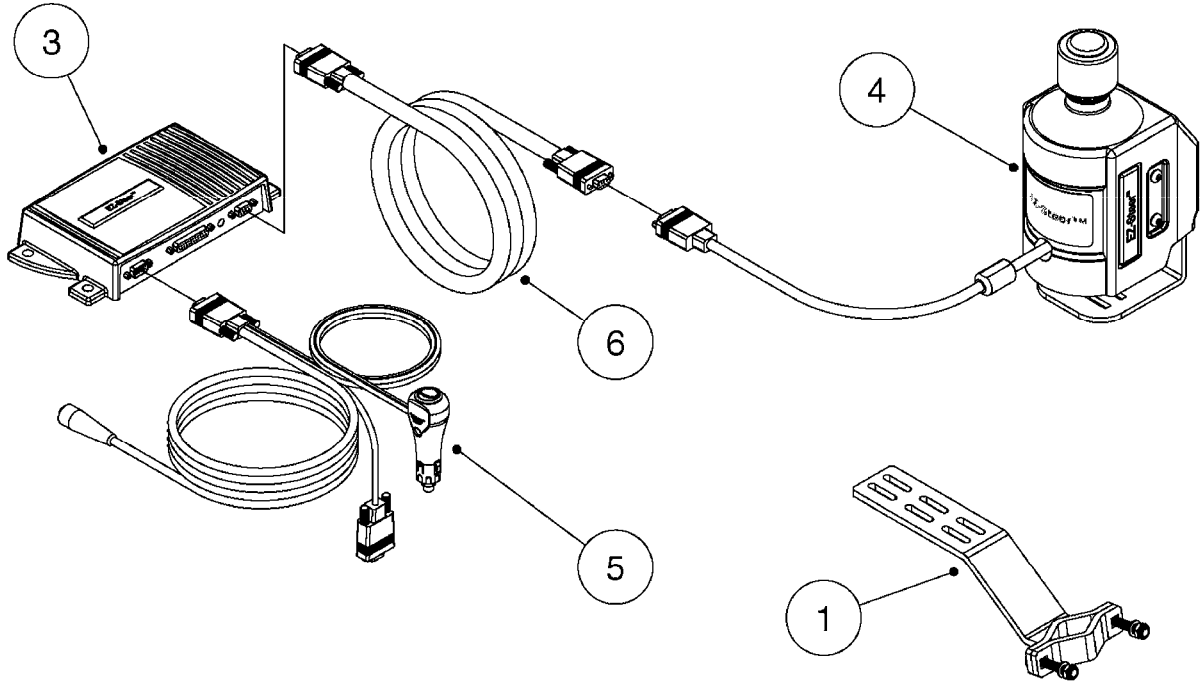
M0040



EZ-GUIDE PLUS LIGHT BAR
M0040-HIN, 01:01:16

Page 1
Date 07.02.2020 10:26

| parts-n° | order qty | description |
|----------|-----------|--------------------------------|
| 26007403 | 1 | ANTENNA,HURRICANE F. EZGUIDEPL |
| 26007503 | 1 | REMOTE KEYPAD EZ-GUIDE PLUS |
| 26007603 | 1 | CABLE, ANTENNA, EZGUIDEPLUS |
| 26007703 | 1 | CABLE, POWER F. EZGUIDEPLUS |
| 26007803 | 1 | BRACKET KIT F. EZGUIDEPLUS |
| 26007903 | 1 | EZ-Guide 500 External Interfac |
| 26008003 | 1 | LIGHT BAR ASSM WITH GPS |
| 26008103 | 1 | LIGHT BAR ASSM WITHOUT GPS |
| 29002703 | 1 | VACUUM CUP 4 1/2" 1420I |
| 29002803 | 1 | MOUNT, MAG F. ANTENNA |
| 29002903 | 1 | PLATE, F. ANTENNA MOUNT |
| 67206303 | 1 | QUICK REFERENCE CARD EZ-GUIDE+ |
| 67206403 | 1 | MANUAL EZ GUIDE PLUS |
| 84205303 | 1 | EZ GUIDE PLUS W GPS, NO LABLE |
| 84205403 | 1 | EZ GUIDE PLUS W/O GPS,NO LABLE |
| 97607603 | 1 | DECAL COMPANY 45MM X 20MM |



COMPLETE ASSEMBLY 8

COMPLETE ASSEMBLIES
WHOLEGOODS ITEMS

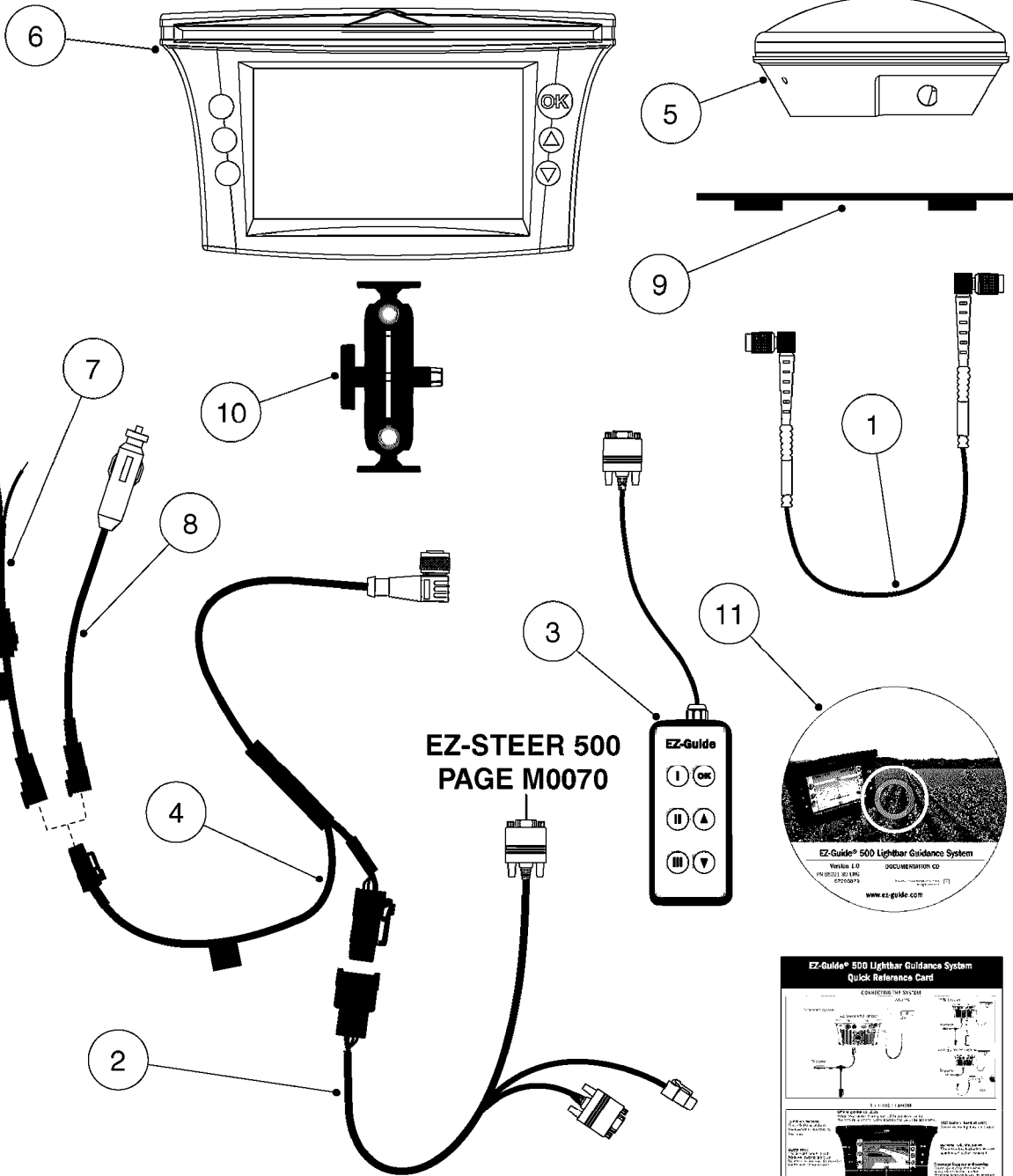
M0050



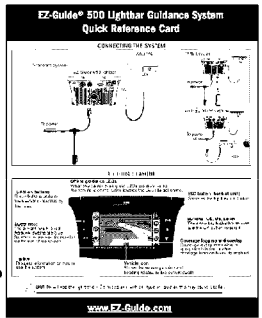
EZ-STEER STEERING SYSTEM
M0050-HIN, 01:01:16

Page 1
Date 07.02.2020 10:26

| Pos. | parts-n° | order qty | description |
|------|----------|-----------|--------------------------------|
| 1 | 26008803 | 1 | EZ-STR.BKT-JD 4000,8000 4WD |
| 1 | 26008903 | 1 | EZ-STR.BKT-JD80002WD,7X20,9000 |
| 1 | 26009003 | 1 | EZ-STR.BKT-CASE IH 7100/7200 |
| 1 | 26009103 | 1 | EZ-STR.BKT-JD COMBINE&ROGATOR |
| 1 | 26009203 | 1 | EZ-STR.BKT-JD 6000,7000 |
| 1 | 26009303 | 1 | EZ-STR.BKT-BUHLER,NH VERSATILE |
| 1 | 26009403 | 1 | EZ-STR.BKT-STEIGER,NH VERSATIL |
| 1 | 26009503 | 1 | EZ-STR.BKT-INTERNATIONAL TRUCK |
| 1 | 26009603 | 1 | EZ-STR.BKT-AGCHEM TERRAGATOR |
| 1 | 26009703 | 1 | EZ-STR.BKT-CASE IH MXM |
| 1 | 28036903 | 1 | EZ-STR.BKT-CASE IH COMB.1600 |
| 1 | 28037003 | 1 | EZ-STR.BKT-JD 89XX,71XX,72XX |
| 1 | 28037103 | 1 | EZ-STR.BKT-JD 8000/9000 |
| 1 | 28037203 | 1 | EZ-STR.T2 TERRAIN COMP.UPDATE |
| 1 | 28037303 | 1 | EZ-STR.BKT-SPR.COUPÉ 3000/4000 |
| 1 | 28038203 | 1 | EZ-STR.BKT-FENDT 924 |
| 1 | 28046503 | 1 | EZ-STR.BKT-AGCO DT/RT,MF64/74 |
| 1 | 28047803 | 1 | EZ-STR.BKT.-NH TVT,CASE IH CVX |
| 1 | 28050203 | 1 | EZ-STR.BKT-CASE JX(U),NH TL(A) |
| 1 | 28055203 | 1 | EZ-STR.BKT-CASE MXM/N.HOLLAND |
| 1 | 28055903 | 1 | EZ-STR.BKT-WILMAR EAGLE |
| 2 | 26009803 | 1 | EZ-STEER FOAM WHEELS 4-PK |
| 3 | 26009903 | 1 | EZ-STEER CONTROLLER |
| 4 | 26010003 | 1 | EZ-STEER MOTOR KIT |
| 5 | 26010103 | 1 | EZ-STEER POWER CABLE |
| 6 | 26010203 | 1 | EZ-STEER MOTOR CABLE 3M |
| 7 | 67210803 | 1 | QUICK REFERENCE CARD EZ-STEER |
| 8 | 84205503 | 1 | EZ-STEER SYSTEM COMPLETE |



**EZ-STEER 500
PAGE M0070**



COMPLETE ASSEMBLY 13

COMPLETE ASSEMBLIES
WHOLEGOODS ITEMS

M0060

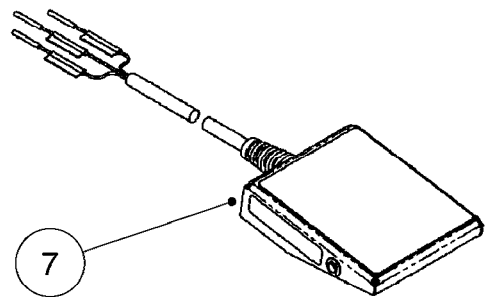
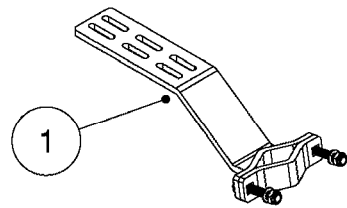
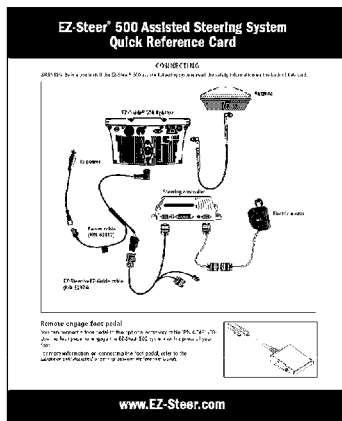
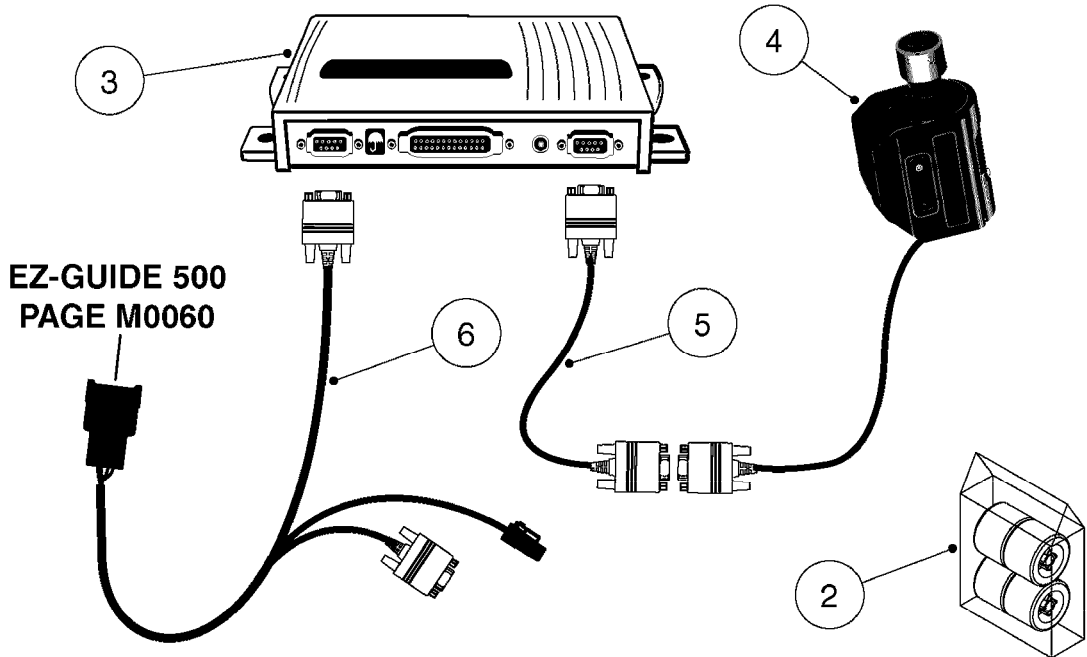


EZ-GUIDE 500 LIGHTBAR
M0060-HIN, 01:01:16

Page 1

Date 07.02.2020 10:26

| Pos. | parts-n° | order qty | description |
|------|----------|-----------|--------------------------------|
| 1 | 26007603 | 1 | CABLE, ANTENNA, EZGUIDEPLUS |
| 2 | 26012203 | 1 | EZ-STEER/GUIDE 500 ADAPT.CABLE |
| 3 | 26015303 | 1 | REMOTE KEYPAD EZGUIDE 500/250 |
| 3 | 28048403 | 1 | DECAL - REMOTE OVERLAY 500/250 |
| 4 | 26015403 | 1 | EZ-GUIDE 500 CABLE POWER/CAN90 |
| 5 | 26015503 | 1 | EZ-GUIDE 500 Z PLUS ANTENNA |
| 5 | 26015603 | 1 | ANTENNA AG15 L1,EZ GDE 500/250 |
| 6 | 26015703 | 1 | EZ-GUIDE 500 DGPS DISPLAY |
| 6 | 26015803 | 1 | EZ-GUIDE 500 OMNISTAR DISPLAY |
| 7 | 26016103 | 1 | EZ-GUIDE 500 CABLE UNTERM.FUSE |
| 8 | 26016203 | 1 | EZ-GUIDE 500 POWER CONN.CABLE |
| 9 | 28048203 | 1 | EZ-GUIDE 500 MOUNT F.AG15 ANT. |
| 10 | 28048303 | 1 | EZ-GUIDE 250/500 RAM MNT.1.5" |
| 11 | 29003803 | 1 | EZ-GUIDE 500 CD,GET.STARTED V1 |
| 12 | 67215403 | 1 | EZ-GUIDE 500 QUICK REF.CARD V1 |
| 13 | 84208303 | 1 | EZ GUIDE 500 LIGHTBAR (DGPS) |
| 13 | 84208403 | 1 | EZ GUIDE 500 LIGHTBAR (XP/HP) |
| 13 | 84208503 | 1 | EZ GUIDE 500 LIGHTBAR (RTK) |



COMPLETE ASSEMBLY 9

**COMPLETE ASSEMBLIES
WHOLEGOODS ITEMS**

M0070

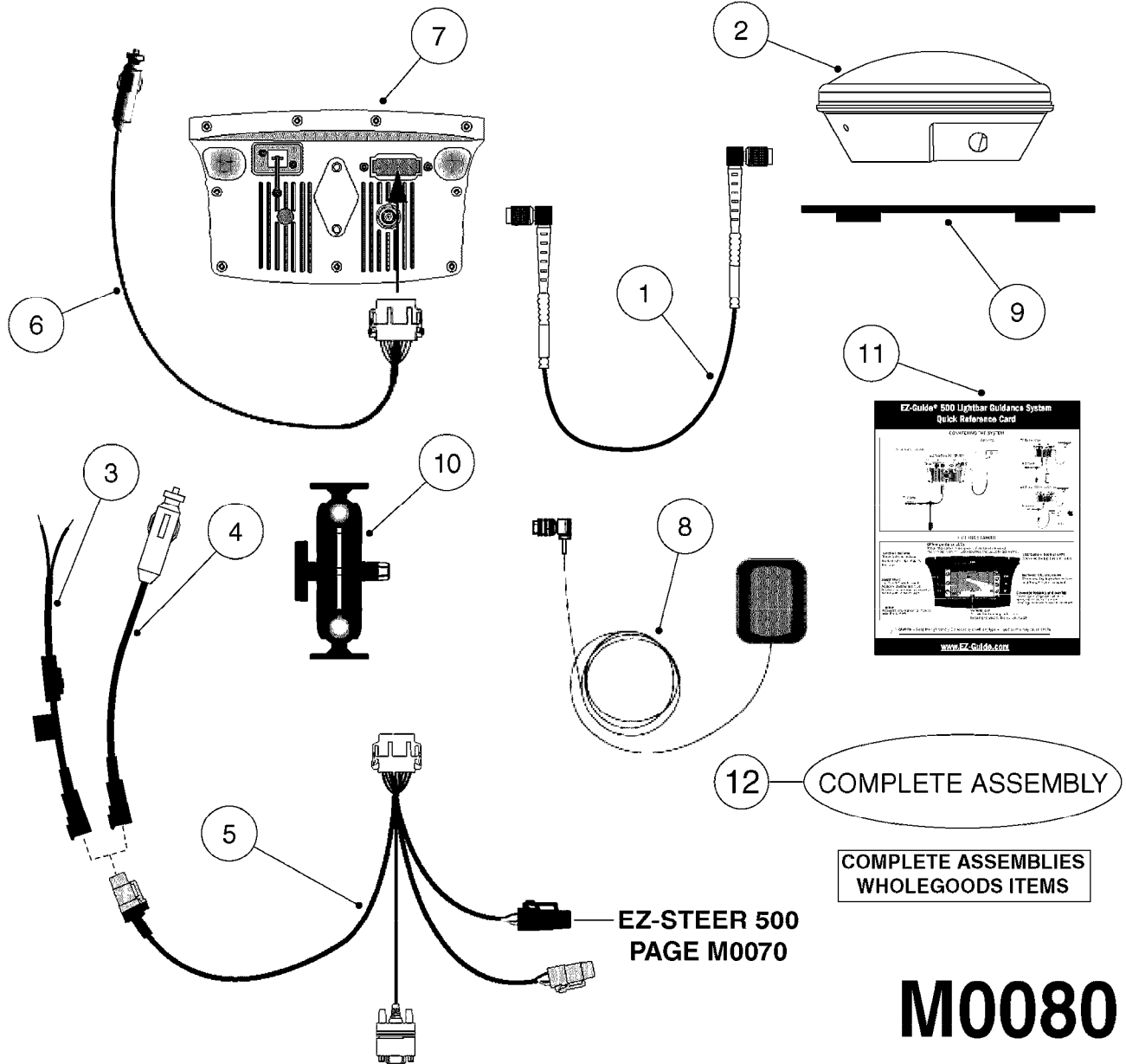


EZ-STEER 500 STEERING SYSTEM
M0070-HIN, 01:01:16

Page 1

Date 07.02.2020 10:26

| Pos. | parts-n° | order qty | description |
|------|----------|-----------|---------------------------------|
| 1 | 26008803 | 1 | EZ-STR.BKT-JD 4000,8000 4WD |
| 1 | 26008903 | 1 | EZ-STR.BKT-JD80002WD,7X20,9000 |
| 1 | 26009003 | 1 | EZ-STR.BKT-CASE IH 7100/7200 |
| 1 | 26009103 | 1 | EZ-STR.BKT-JD COMBINE&ROGATOR |
| 1 | 26009203 | 1 | EZ-STR.BKT-JD 6000,7000 |
| 1 | 26009303 | 1 | EZ-STR.BKT-BUHLER,NH VERSATILE |
| 1 | 26009403 | 1 | EZ-STR.BKT-STEIGER,NH VERSATIL |
| 1 | 26009503 | 1 | EZ-STR.BKT-INTERNATIONAL TRUCK |
| 1 | 26009603 | 1 | EZ-STR.BKT-AGCHEM TERRAGATOR |
| 1 | 26009703 | 1 | EZ-STR.BKT-CASE IH MXM |
| 1 | 28036903 | 1 | EZ-STR.BKT-CASE IH COMB.1600 |
| 1 | 28037003 | 1 | EZ-STR.BKT-JD 89XX,71XX,72XX |
| 1 | 28037103 | 1 | EZ-STR.BKT-JD 8000/9000 |
| 1 | 28037203 | 1 | EZ-STR.T2 TERRAIN COMP.UPDATE |
| 1 | 28037303 | 1 | EZ-STR.BKT-SPR.COUPPE 3000/4000 |
| 1 | 28038203 | 1 | EZ-STR.BKT-FENDT 924 |
| 1 | 28046503 | 1 | EZ-STR.BKT-AGCO DT/RT,MF64/74 |
| 1 | 28047803 | 1 | EZ-STR.BKT.-NH TVT,CASE IH CVX |
| 1 | 28050203 | 1 | EZ-STR.BKT-CASE JX(U),NH TL(A) |
| 1 | 28055203 | 1 | EZ-STR.BKT-CASE MXM/N.HOLLAND |
| 1 | 28055903 | 1 | EZ-STR.BKT-WILMAR EAGLE |
| 2 | 26009803 | 1 | EZ-STEER FOAM WHEELS 4-PK |
| 3 | 26009903 | 1 | EZ-STEER CONTROLLER |
| 4 | 26010003 | 1 | EZ-STEER MOTOR KIT |
| 5 | 26010203 | 1 | EZ-STEER MOTOR CABLE 3M |
| 6 | 26012203 | 1 | EZ-STEER/GUIDE 500 ADAPT.CABLE |
| 7 | 26012503 | 1 | EZ-STR.FOOT SWITCH & ACC.CABLE |
| 8 | 67214803 | 1 | EZ-STR.REF.GUIDE V3 SPARE |
| 8 | 67214903 | 1 | EZ-STEER QUICK REF.CARD V3 |
| 8 | 67215203 | 1 | EZ-STEER 500 QUICK REF.CARD V1 |
| 8 | 67215303 | 1 | MANUAL EZ-STEER 500 REF V1 |
| 9 | 84208603 | 1 | EZ-STEER 500/250 SYS. COMPLETE |



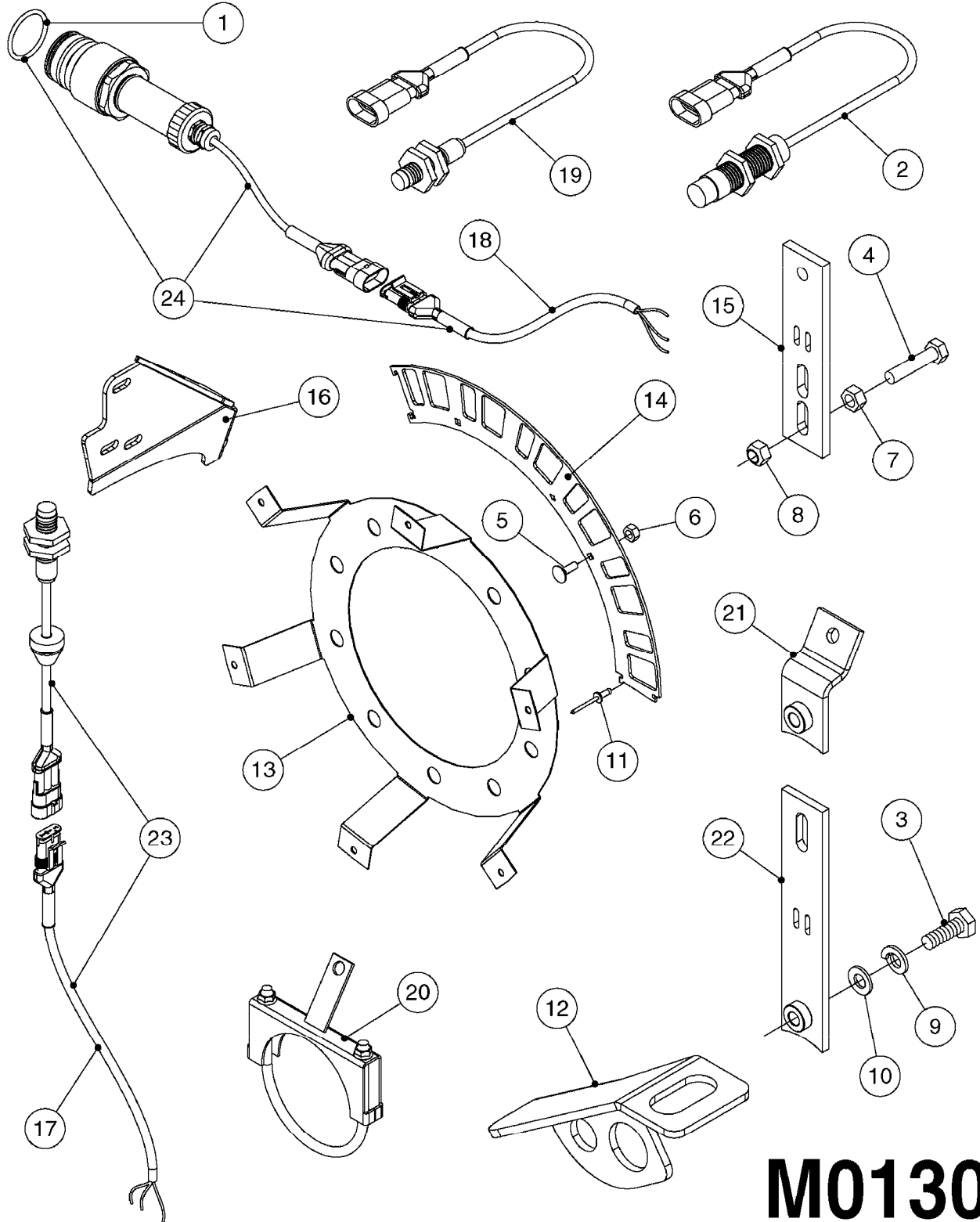


EZ-GUIDE 250 LIGHTBAR
M0080-HIN, 01:01:16

Page 1

Date 07.02.2020 10:26

| Pos. | parts-n° | order qty | description |
|------|----------|-----------|--------------------------------|
| 1 | 26007603 | 1 | CABLE, ANTENNA, EZGUIDEPLUS |
| 2 | 26015603 | 1 | ANTENNA AG15 L1,EZ GDE 500/250 |
| 3 | 26016103 | 1 | EZ-GUIDE 500 CABLE UNTERM.FUSE |
| 4 | 26016203 | 1 | EZ-GUIDE 500 POWER CONN.CABLE |
| 5 | 26017303 | 1 | EZ-GUIDE 250 ALL PORT CABLE |
| 6 | 26017703 | 1 | EZ-GUIDE 250 POWER CABLE |
| 7 | 26017803 | 1 | EZ-GUIDE 250 LIGHTBAR DISPLAY |
| 8 | 26017903 | 1 | EZ-GUIDE 250 PATCH ANTENNA |
| 9 | 28048203 | 1 | EZ-GUIDE 500 MOUNT F.AG15 ANT. |
| 10 | 28048303 | 1 | EZ-GUIDE 250/500 RAM MNT.1.5" |
| 11 | 67217403 | 1 | EZ-GUIDE 250 QUICK REF.CARD |
| 12 | 84210603 | 1 | EZ GUIDE 250 LIGHTBAR |



M0130



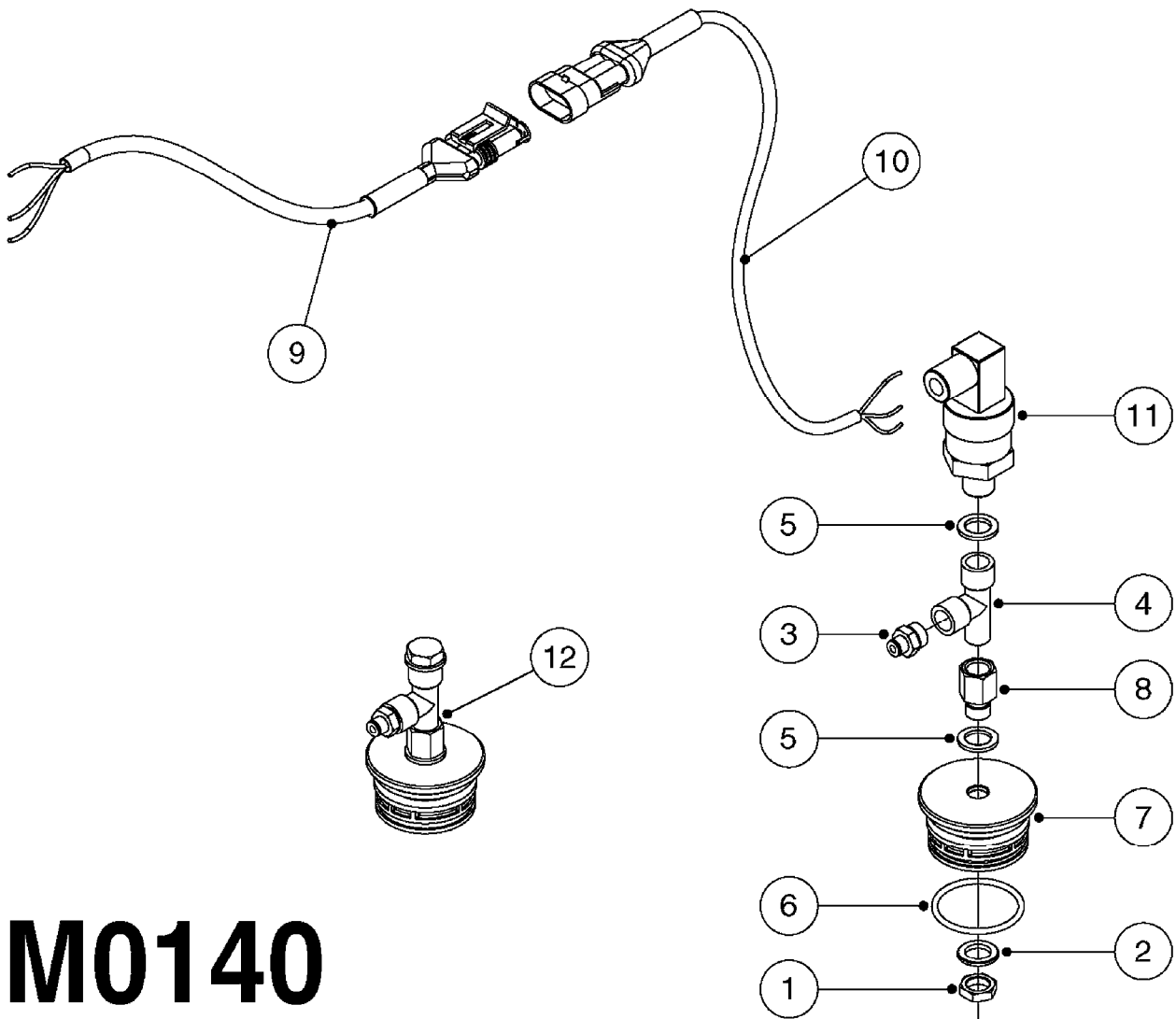
COMMON SENSORS AND BRACKETS
M0130-HIN, 12:12:16

Page 1
Date 07.02.2020 10:26

| Pos. | parts-n° | order qty | description |
|------|----------|-----------|-----------------------------------|
| 1 | 242354 | 1 | O-RING D32.2X3.0 VITON |
| 2 | 285855 | 1 | SENSOR INDUCTIVE M18 W/WIRE |
| 3 | 430286 | 1 | BOLT HEX 8.8 DEL M12X30 FT |
| 4 | 430870 | 1 | BOLT HEX 8.8 DEL M12X55 FT |
| 5 | 440695 | 1 | BOLT CARRIAGE M8X25 |
| 6 | 460143 | 1 | SELF LOCK NUT M8 SST A2 DIN985 |
| 7 | 460386 | 1 | NUT HEX M12X1.75 |
| 8 | 460703 | 1 | NUT HEX M12X1.75 LOCK DIN985A2 SS |
| 9 | 470466 | 1 | WASHER D21.1/D12.2X2.5 LOCK |
| 10 | 471127 | 1 | WASHER, M12, Ø24/13X24X2.5 SS |
| 11 | 480804 | 1 | RIVET Ø4.8x14.5 |
| 12 | 16020300 | 1 | BRACKET FOR SPEED SENSOR |
| 13 | 16094703 | 1 | WHEEL SENSOR MT BKT |
| 13 | 16182403 | 1 | BRACKET, SPEED RING, PRESIDIO |
| 14 | 16138203 | 1 | SPEED SENSOR RING NCM 2009 1/3 |
| 15 | 16138403 | 1 | PLATE F. SPEED SENSOR |
| 16 | 16182303 | 1 | BRACKET, SPEED SENSOR, PR |
| 17 | 26006100 | 1 | CABLE L = 5.00M, AMP, MALE, 3P |
| 18 | 26007100 | 1 | CABLE L = 9.00M, AMP, MALE, 3P |
| 19 | 28047500 | 1 | INDUCTIV SENSOR M12 L1M |
| 20 | 61000603 | 1 | SPEED SNS MNT CLAMP F/DLS 4.5" |
| 21 | 61010703 | 1 | SPEED SENSOR BKT NCM NON-S OLD |
| 22 | 61015803 | 1 | SPEED SENSOR BKT NCM 2010 |
| 23 | 72050100 | 1 | TWIN RPM SENSOR HN |
| 24 | 72534000 | 1 | TANK LEVEL ELEC SENSOR KIT 9M |



PRESSURE SENSOR - AMP
M0140-HIN, 01:01:16



M0140

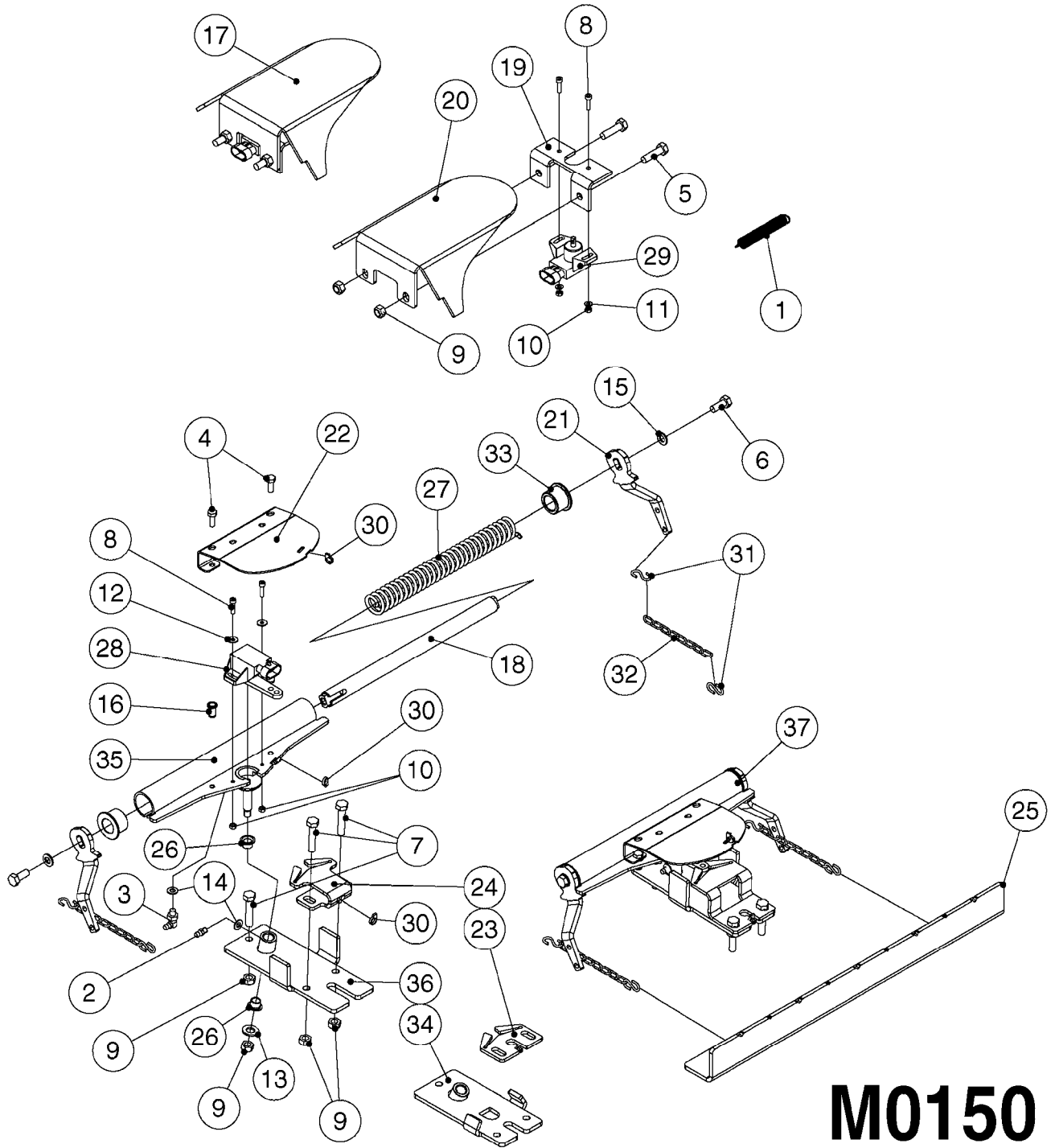


PRESSURE SENSOR - AMP
M0140-HIN, 01:01:16

Page 1

Date 07.02.2020 10:26

| Pos. | parts-n° | order qty | description |
|------|----------|-----------|----------------------------------|
| 1 | 141341 | 1 | NUT 1/4' BSP |
| 2 | 145631 | 1 | WASHER D21.5/D13.5X2.5 BRASS |
| 3 | 232230 | 1 | QUICK COUPLER 1/4"BSP X 4 MM |
| 4 | 232285 | 1 | T-PIECE 1/4" 2 X INT. 1 |
| 5 | 241404 | 1 | DOWTY SEAL 1/4" |
| 6 | 242353 | 1 | O-RING 3 X 44.2 VITON |
| 7 | 391135 | 1 | FITT. S67 PLUG W/13.2Ø HOLE |
| 8 | 14076900 | 1 | NIPPLE 1/4" I-1/4" U L=28.5 SS |
| 9 | 26007000 | 1 | CABLE L = 0.20M, AMP, MALE, 3P |
| 10 | 26007300 | 1 | CABLE L = 1.00M, AMP, FEMALE, 3P |
| 11 | 26026200 | 1 | PRESSURE TRANS. 0-10BAR 4-20mA |
| 12 | 72553900 | 1 | S67 W/T-PIECE F. PRES. TRANS. |

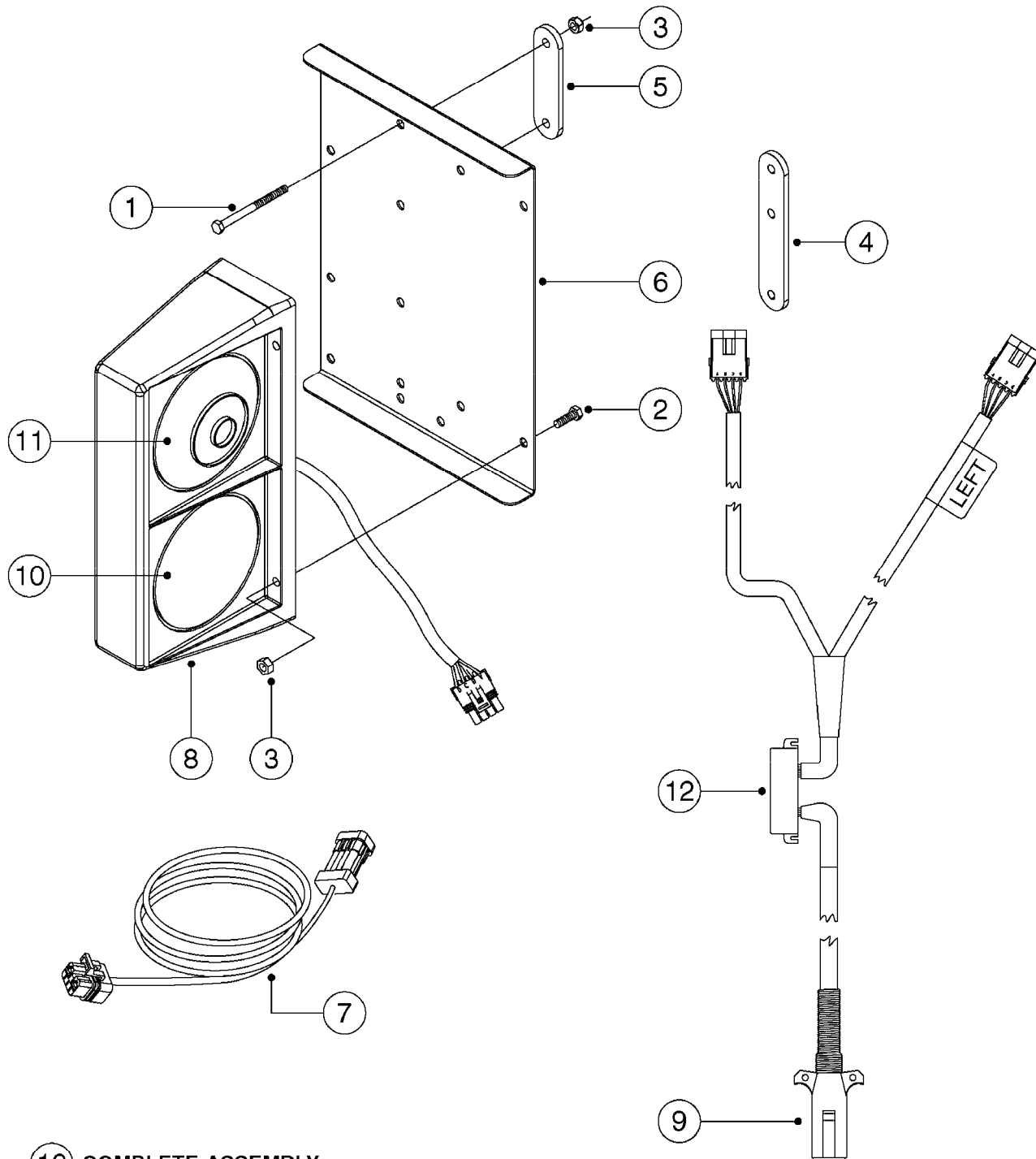


M0150



ANGLE SENSOR NCM
M0150-HIN, 01:01:16

| Pos. | parts-n° | order qty | description |
|------|----------|-----------|---|
| 1 | 220947 | 1 | SPRING D13.0/1,2 L=90 RST |
| 2 | 283699 | 1 | GREASE NIPPLE M6X1 |
| 3 | 283772 | 1 | GREASE NIPPLE M6X1 90° |
| 4 | 410185 | 1 | BOLT HEX 8.8 DEL M6X16 |
| 5 | 420567 | 1 | BOLT HEX 8.8 DEL M8X30 FT |
| 6 | 420582 | 1 | BOLT HEX 8.8 DEL M8X20 FT A2 |
| 7 | 420744 | 1 | BOLT HEX 8.8 DEL M8X40 |
| 8 | 450902 | 1 | BOLT ALLEN HEAD M4 X 16MM |
| 9 | 460143 | 1 | SELF LOCK NUT M8 SST A2 DIN985 |
| 10 | 461145 | 1 | NUT HEX M4 LOCK |
| 11 | 471037 | 1 | SCREW A 4,3 DIN 125 |
| 12 | 471087 | 1 | WASHER D12.0/4.3X1.0 |
| 13 | 471122 | 1 | WASHER, M10, Ø20/10.5X 2.0, SS |
| 14 | 471125 | 1 | WASHER M6U 6.4X14X1.2,A2 SS |
| 15 | 471126 | 1 | WASHER, M8, Ø16/ 8.4X 1.6, SS |
| 16 | 480811 | 1 | BLIND FASTENER M6 STAINLESS |
| 17 | 741841 | 1 | ANGLE SENSOR AND BRACKET REAR |
| 18 | 14052100 | 1 | AXLE D19 L=294/2XM8 STAINLESS |
| 19 | 16125700 | 1 | BRACKET FOR ANGLE SENSOR |
| 20 | 16142200 | 1 | GUARD PLATE FOR SENSOR |
| 21 | 16173200 | 1 | PLATE 6.0X134X42/2XD6/2XBENDS |
| 22 | 16173400 | 1 | PLATE 2.0X145.3X130/3XBENDS |
| 23 | 16173600 | 1 | PLATE 4.0X70X56 NCM 4400 |
| 24 | 16174100 | 1 | PLATE 4.0X120X70/2XBENDS NCM 6600 |
| 25 | 16174300 | 1 | BKT F. TRACTOR NCM STEE-UPDATE |
| 26 | 21089300 | 1 | BUSHING D12/10 L=9 |
| 27 | 22096500 | 1 | TORSION SPRING D24/4.0 L=242 |
| 28 | 26005700 | 1 | ANGLE SENSOR 70° 0.5-4.5 VDC + LEVER |
| 29 | 26005800 | 1 | ANGLE SENSOR 120° 0.5-4.5 VDC + LEVER |
| 30 | 28024103 | 1 | TIE STRAP L=8" x W=3/16" |
| 31 | 28045800 | 1 | S-HOOK 3MM STAINLESS STEEL |
| 32 | 28058400 | 1 | CHAIN SS 8x16x2.0 L=600 |
| 33 | 39124400 | 1 | BUSHING D28.5/19.1 L=21 |
| 34 | 61019200 | 1 | FRONT SENSOR BRACKET NCM4400 |
| 35 | 61019300 | 1 | FRONT SENSOR MT.THREADED HOLES |
| 36 | 61019500 | 1 | FRONT SENSOR BRACKET NCM6600 |
| 37 | 72564800 | 1 | STEERING SENSOR NCM4400 FRONT STEERING SENSOR COMPLETE NCM4400 |
| 37 | 72565000 | 1 | STEERING SENSOR NCM6600 FRONT STEERING SENSOR COMPLETE NCM6600 |



13 COMPLETE ASSEMBLY

COMPLETE ASSEMBLIES
WHOLEGOODS ITEMS

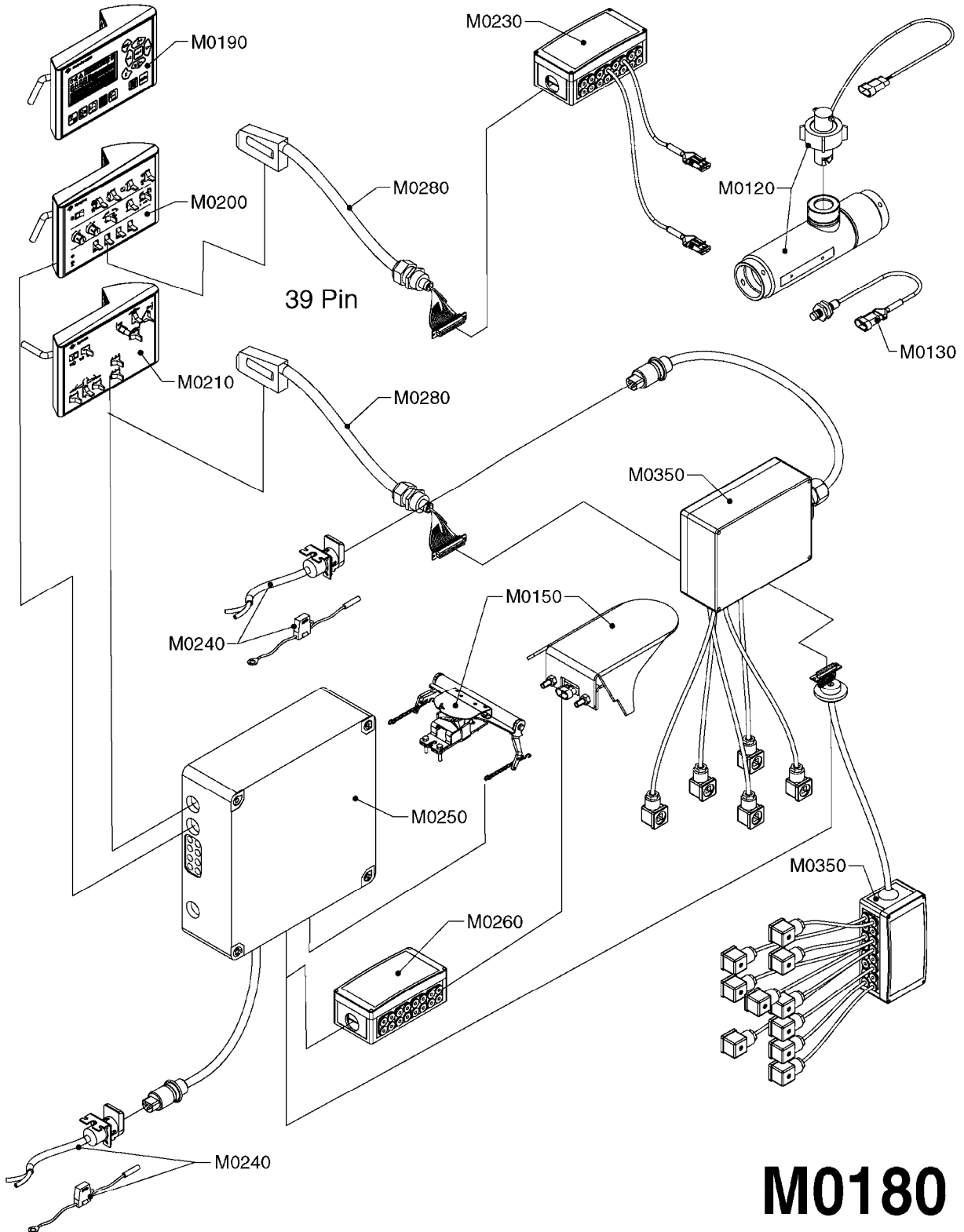
M0160



TRAFFIC LIGHT KIT
M0160-HIN, 13:08:19

Page 1
Date 07.02.2020 10:26

| Pos. | parts-n° | order qty | description |
|------|----------|-----------|------------------------------------|
| 1 | 410266 | 1 | BOLT HEX 8.8 DEL M6X120 |
| 1 | 410421 | 1 | BOLT HEX M6X110 DIN931-A2 SS |
| 1 | 410524 | 1 | BOLT HEX 8.8 DEL M6X100 |
| 1 | 410605 | 1 | BOLT HEX 8.8 DEL M6X80 |
| 2 | 410362 | 1 | BOLT HEX 8.8 SS M6X20 |
| 3 | 460261 | 1 | NUT HEX M6X1.00 LOCK DIN985 A2 SS |
| 4 | 16022303 | 1 | BRACKET 100MM TUBE |
| 5 | 16022403 | 1 | BRACKET 60MM TUBE |
| 6 | 16025603 | 1 | BRACKET TAIL LIGHT DUAL LAMP |
| 7 | 26004703 | 1 | HARNESS 13' EXT 4 WIRE WP |
| 8 | 26004903 | 1 | TAIL LIGHT GREEN WIRE LH |
| 8 | 26005003 | 1 | TAIL LIGHT YELLOW WIRE RH |
| 9 | 26005103 | 1 | PLUG 7-PIN AG TAIL LIGHT |
| 10 | 26005403 | 1 | LENS BLACK BEFORE 2009 |
| 10 | 26017003 | 1 | LENS RED |
| 11 | 26016903 | 1 | LENS AMBER |
| 12 | 26032703 | 1 | HARNESS COMPLETE, TAIL LIGHT, 2013 |
| 13 | 83308603 | 1 | TRAFFIC LIGHT KIT |



M0180



SYSTEM OVERVIEW HC5500
M0180-HIN, 01:01:16

Page 1

Date 07.02.2020 10:26

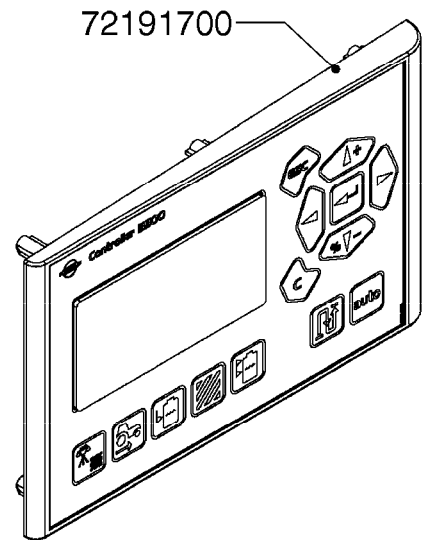
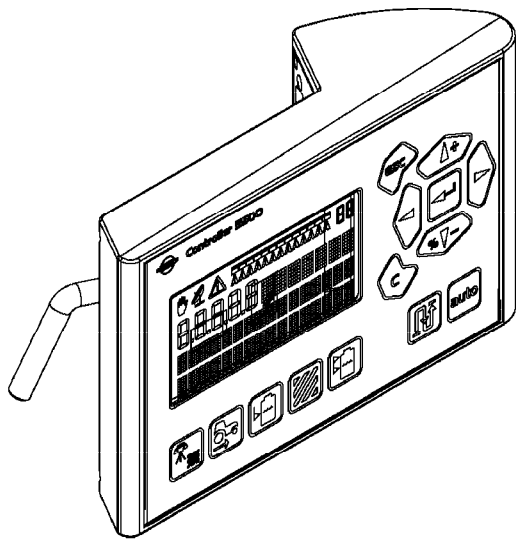
| parts-n° | order qty | description |
|----------|--------------|-------------|
| | | |



DISPLAY HC 5500
M0190-HIN, 01:01:16

Page 0

Date 07.02.2020 10:26



| | |
|----------|------------|
| HC 5500 | CONTROLLER |
| NEW | 72155600 |
| EXCHANGE | 72174000 |

M0190

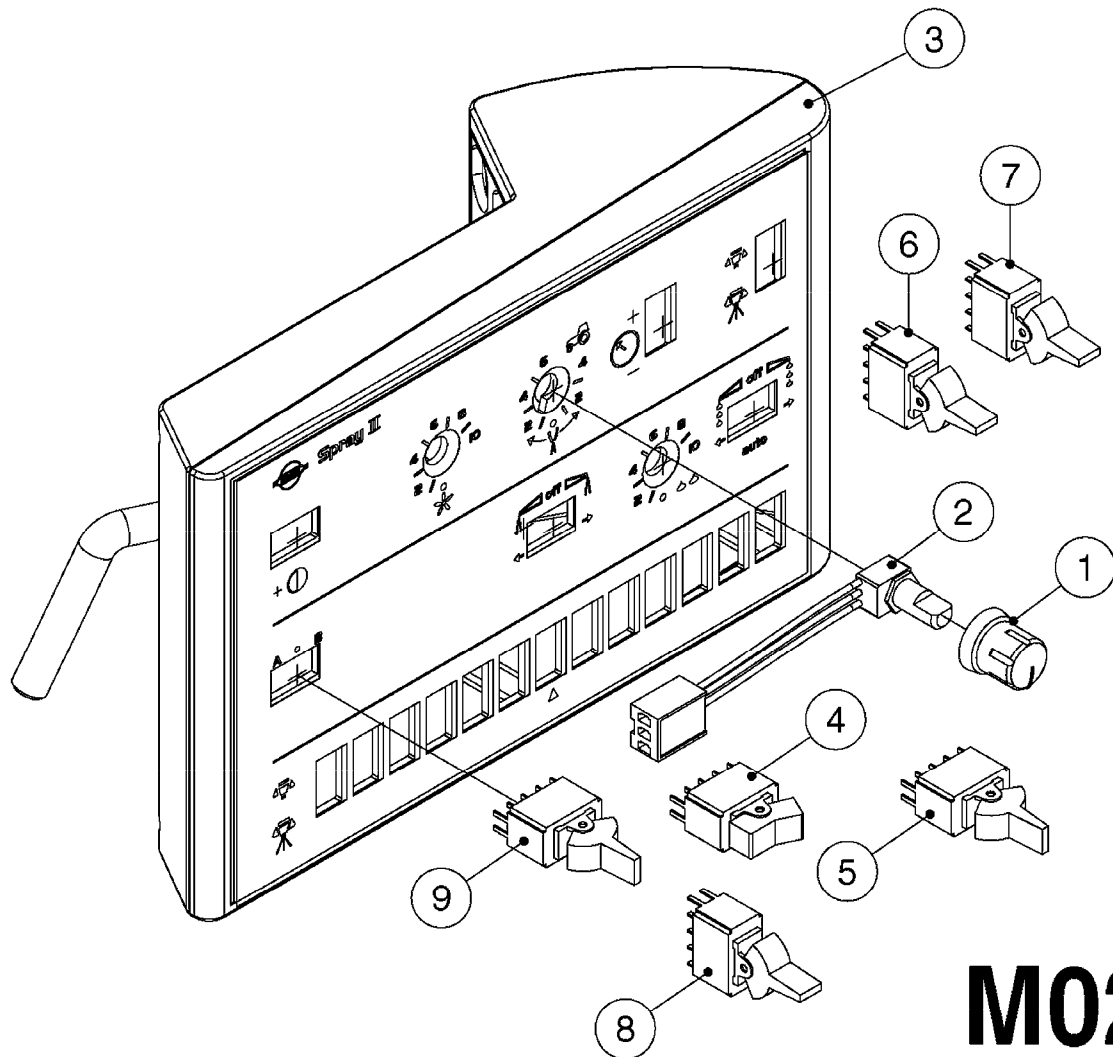


DISPLAY HC 5500
M0190-HIN, 01:01:16

Page 1

Date 07.02.2020 10:26

| parts-n° | order qty | description |
|----------------------------------|-------------|---|
| 72155600 72174000 72191700 | 1 1 1 | HC 5500 DISPLAY UNIT DISPLAY HC5500 REFURBISHED HC5500 DISPLAY FRONT COMPLETE |



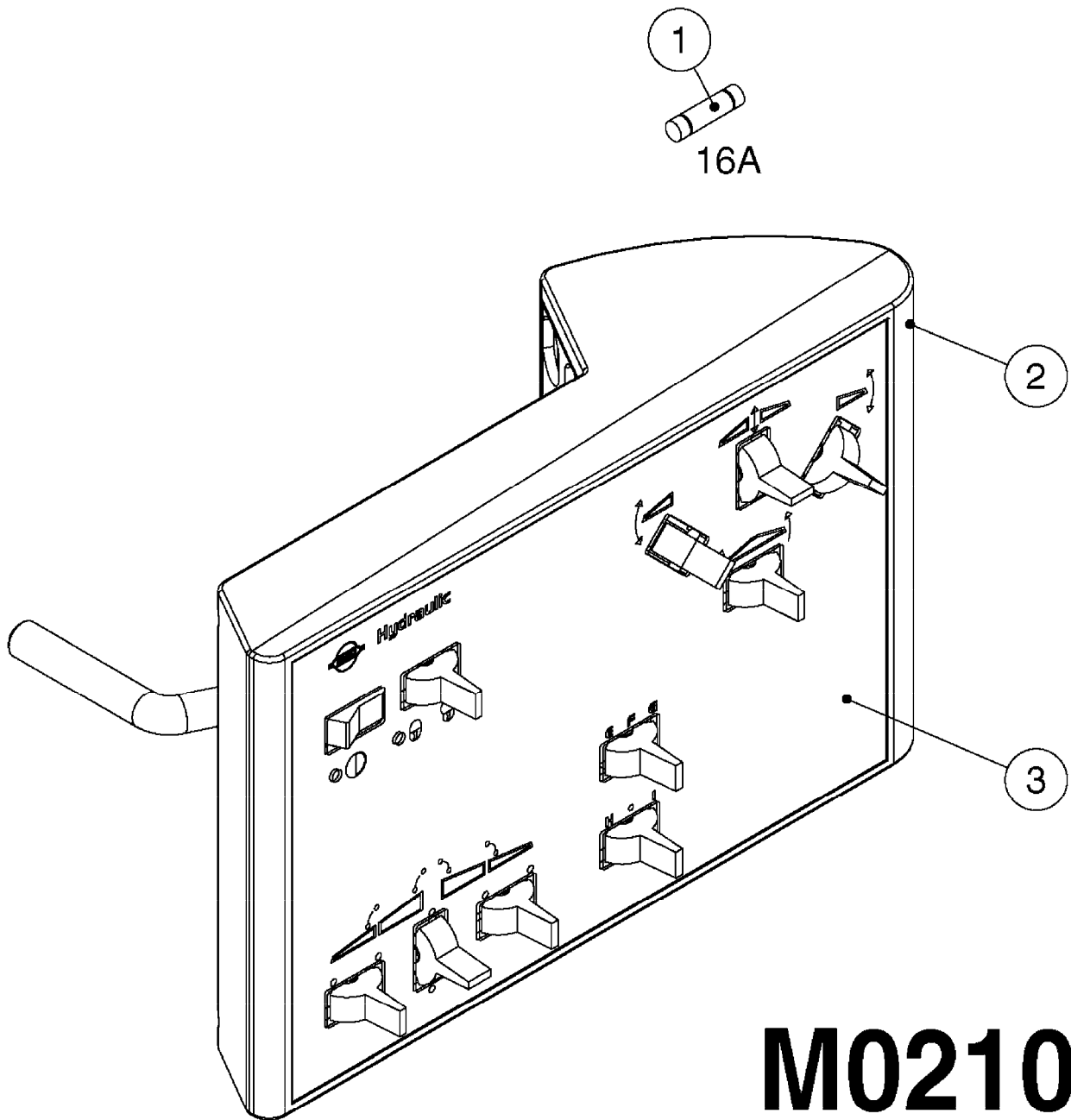
M0200



SPRAYBOX II
M0200-HIN, 23:06:16

Page 1
Date 07.02.2020 10:26

| Pos. | parts-n° | order qty | description |
|------|----------|-----------|--------------------------------|
| 1 | 26000400 | 1 | KNOB F.FOAM ADJUST HC5500 |
| 2 | 26005300 | 1 | POT.METER F. SPRAYBOX II |
| 3 | 26010200 | 1 | CONTROL BOX 2SEC, SPRAY BOX II |
| 3 | 26010300 | 1 | CONTROL BOX 3SEC, SPRAY BOX II |
| 3 | 26010400 | 1 | CONTROL BOX 4SEC, SPRAY BOX II |
| 3 | 26010500 | 1 | CONTROL BOX 5SEC, SPRAY BOX II |
| 3 | 26010600 | 1 | CONTROL BOX 6SEC, SPRAY BOX II |
| 3 | 26010700 | 1 | CONTROL BOX 7SEC, SPRAY BOX II |
| 3 | 26010800 | 1 | CONTROL BOX 8SEC, SPRAY BOX II |
| 3 | 26010900 | 1 | CONTROL BOX 9SEC, SPRAYBOX II |
| 3 | 26011000 | 1 | SPRAY CONT. II EVC 4 SEC. HAZ |
| 3 | 26011100 | 1 | SPRAY CONT. II EVC 5 SEC. HAZ |
| 3 | 26011200 | 1 | SPRAY CONT. II EVC 6 SEC. HAZ |
| 3 | 26011300 | 1 | SPRAY CONT. II EVC 7 SEC. HAZ |
| 3 | 26013600 | 1 | CONTROL BOX 13SEC, SPRAYBOX II |
| 4 | 26020200 | 1 | SWITCH ON-ON SP ROCKER RED |
| 5 | 26020300 | 1 | SWITCH ON-OFF-ON SP BLACK |
| 6 | 26020400 | 1 | SWITCH MOM-OFF-MOM SP YELLOW |
| 7 | 26020600 | 1 | SWITCH ON-ON SP GREEN |
| 8 | 26020800 | 1 | SWITCH ON-ON DP GREEN |
| 9 | 26021000 | 1 | SWITCH ON-OFF-ON DP BLACK |



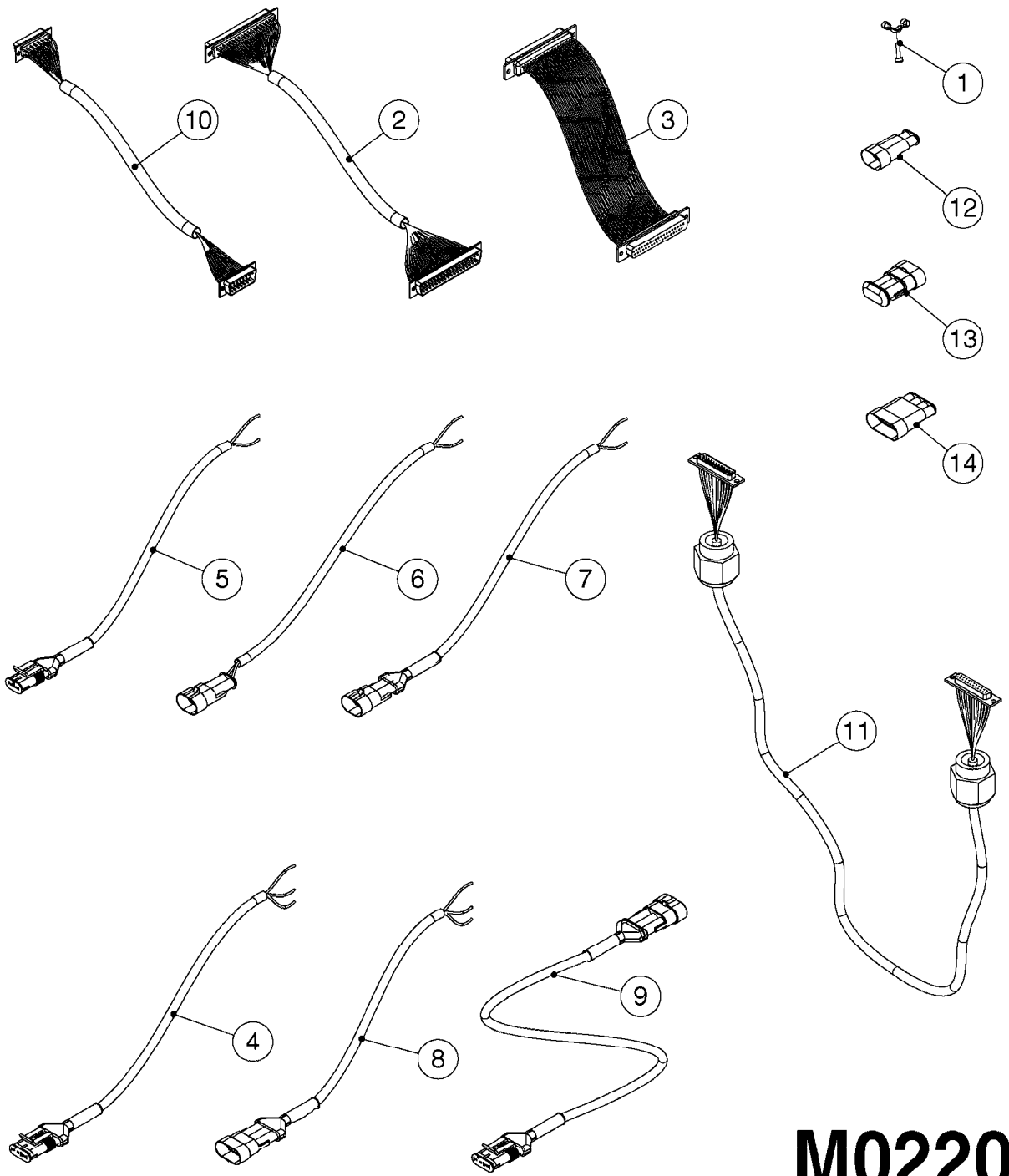


HYDRAULIC CONTROL BOX 39-PIN
M0210-HIN, 30:05:17

Page 1

Date 07.02.2020 10:26

| Pos. | parts-n° | order qty | description |
|------|----------|-----------|---------------------------------------|
| 1 | 26025800 | 1 | FUSE 16AMP |
| 2 | 26048000 | 1 | HYD. CONTROL BOX WITHOUT DECAL (2012) |
| 3 | 97611203 | 1 | DECAL-FTZ SEQUENTIAL FOLD |
| 3 | 97611703 | 1 | DECAL HYD. CONTROL BOX FTZ/ST |
| 3 | 97611803 | 1 | DECAL HYD. CONTROL BOX FTZ |
| 3 | 97612603 | 1 | DECAL HYD.CNTRL.BOX RANGER HZ |
| 3 | 97612703 | 1 | DECAL HYD.CNTRL.BOX RANGER HV |
| 3 | 97614803 | 1 | DECAL HYD.CNTRL.BOX 90/60 |
| 3 | 97614903 | 1 | DECAL HYD.CNTRL.BOX 120/90 |
| 3 | 97615103 | 1 | DECAL HYD.CNTRL.BOX SPB/SPC |



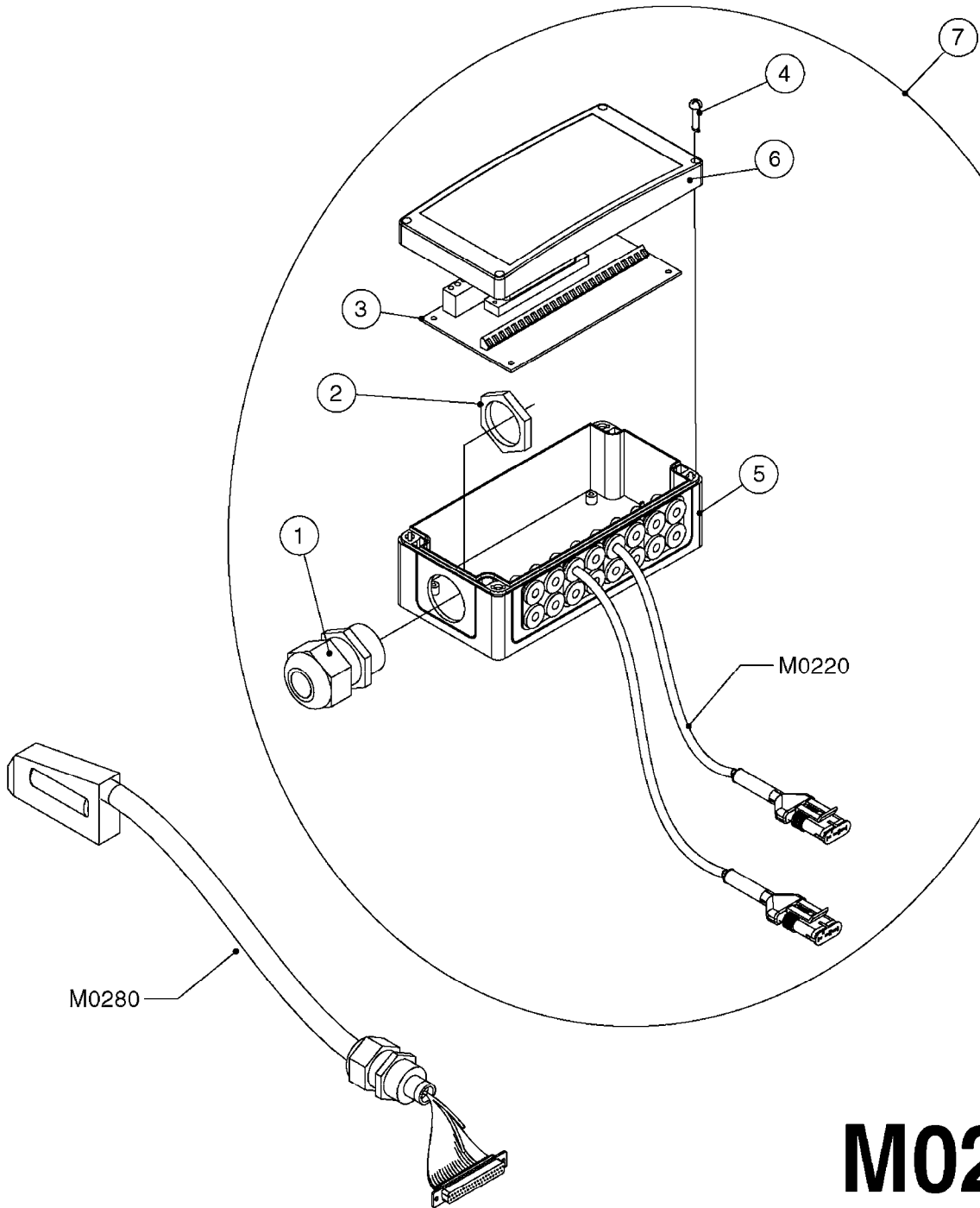
M0220



CABLES
M0220-HIN, 12:05:18

Page 1
Date 07.02.2020 10:26

| Pos. | parts-n° | order qty | description |
|------|----------|-----------|-----------------------------------|
| 1 | 262150 | 1 | SCREW ASSM.FOR D-SUB PLUG |
| 2 | 26004900 | 1 | CABLE FEM/MALE 37P L=9.5M |
| 3 | 26005900 | 1 | WIRE 37/37 POLE DAH/JOB COM |
| 4 | 26006000 | 1 | LEAD F AMP SUPERSEAL 3 WAYS L1,5M |
| 4 | 26006100 | 1 | CABLE L = 5.00M, AMP, MALE, 3P |
| 4 | 26007000 | 1 | CABLE L = 0.20M, AMP, MALE, 3P |
| 4 | 26007100 | 1 | CABLE L = 9.00M, AMP, MALE, 3P |
| 4 | 26007200 | 1 | CABLE 3POL AMP FEMALE L13M |
| 5 | 26006200 | 1 | CABLE L = 4.50M, AMP, MALE, 2P |
| 5 | 26006300 | 1 | CABLE L = 0.50M, AMP, MALE, 2P |
| 5 | 26006400 | 1 | CABLE L = 0.75M, AMP, MALE, 2P |
| 5 | 26006500 | 1 | CABLE L = 1.50M, AMP, MALE, 2P |
| 5 | 26006600 | 1 | CABLE L = 9.00M, AMP, MALE, 2P |
| 6 | 26006700 | 1 | CABLE L = 0.12M, AMP, FEMALE, 2P |
| 7 | 26006800 | 1 | CABLE L = 1.00M, AMP, FEMALE, 2P |
| 8 | 26007300 | 1 | CABLE L = 1.00M, AMP, FEMALE, 3P |
| 9 | 26007400 | 1 | CABLE L = 3.00M, AMP, EXT, 3P |
| 9 | 26009800 | 1 | CABLE L = 0.50M, AMP, EXT, 2P |
| 10 | 26007500 | 1 | CABLE FEM/FEM 15P L=3.5M |
| 11 | 26016900 | 1 | CABLE DB25M - DB25F L=8.5m |
| 12 | 72450600 | 1 | CAP F. AMP SUPER SEAL 2P PLUG |
| 13 | 72450700 | 1 | CAP F. AMP SUPER SEAL 3P PLUG |
| 14 | 72450800 | 1 | CAP F. AMP SUPER SEAL 4P PLUG |



M0230



JUNCTION BOX - LIQUID
M0230-HIN, 01:01:16

Page 1
Date 07.02.2020 10:26

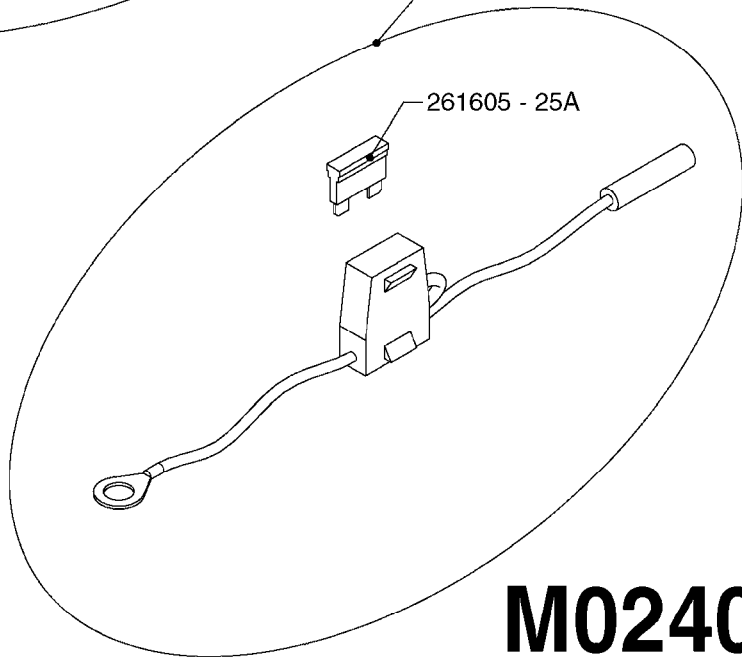
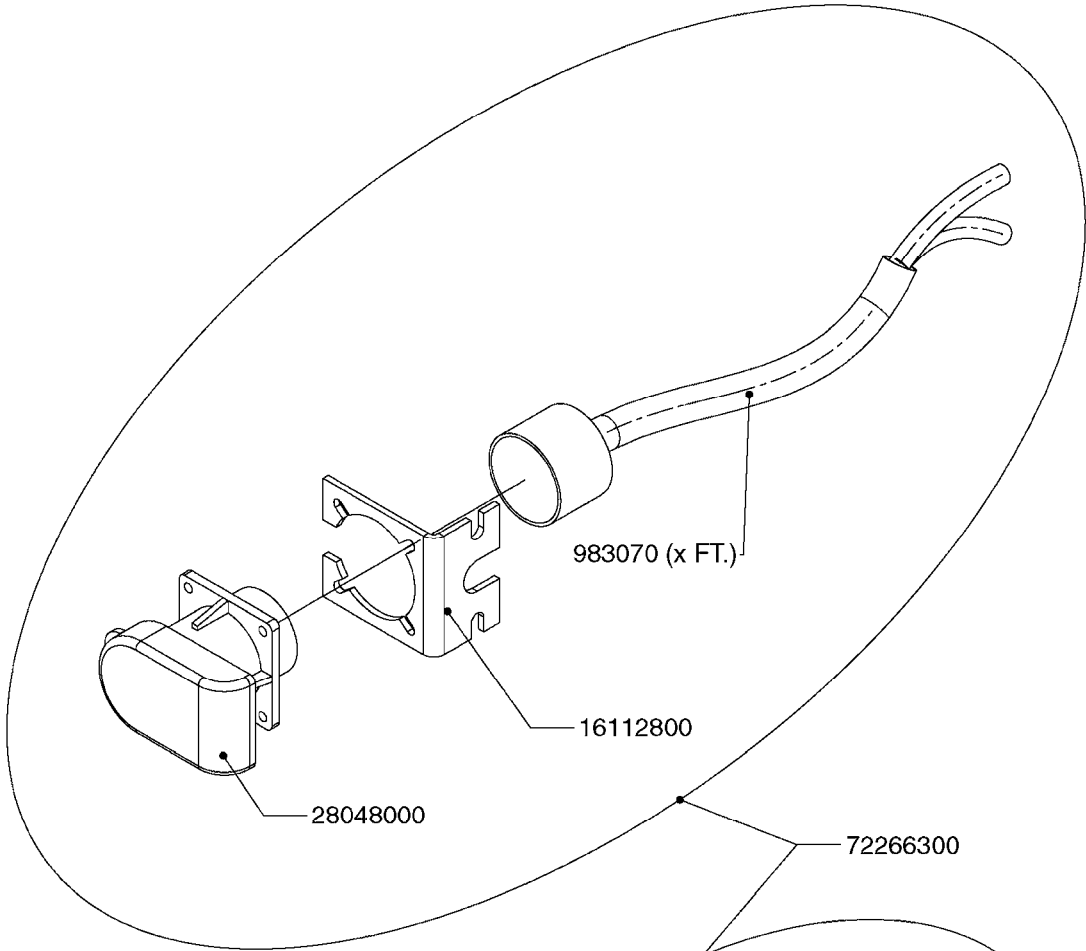
| Pos. | parts-n° | order qty | description |
|------|----------|-----------|--|
| 1 | 262106 | 1 | BULKHEAD F. CABLE 6.5-14 BLACK |
| 2 | 262107 | 1 | NUT F. BULKHEAD CABLE GRAY |
| 3 | 26004800 | 1 | CIRCUIT BD SEC VLV NCM 13SEC 13 SECTION |
| 3 | 72173900 | 1 | CIRCUIT BD SEC VLV 39PIN 9SEC 9 SECTION |
| 4 | 28082100 | 1 | SCREW F. BOX LID 1/4" L=20 |
| 5 | 33508700 | 1 | BOX BOTTOM 160X80X40 BLACK 1-HOLE |
| 6 | 33508800 | 1 | LID 160X80X15 BLK W/SCREWS |
| 7 | 72115400 | 1 | CONNECTION BOX F. OP. UNIT SV9 |



POWER SUPPLY CABLES
M0240-HIN, 01:01:16

Page 0

Date 07.02.2020 10:26



M0240

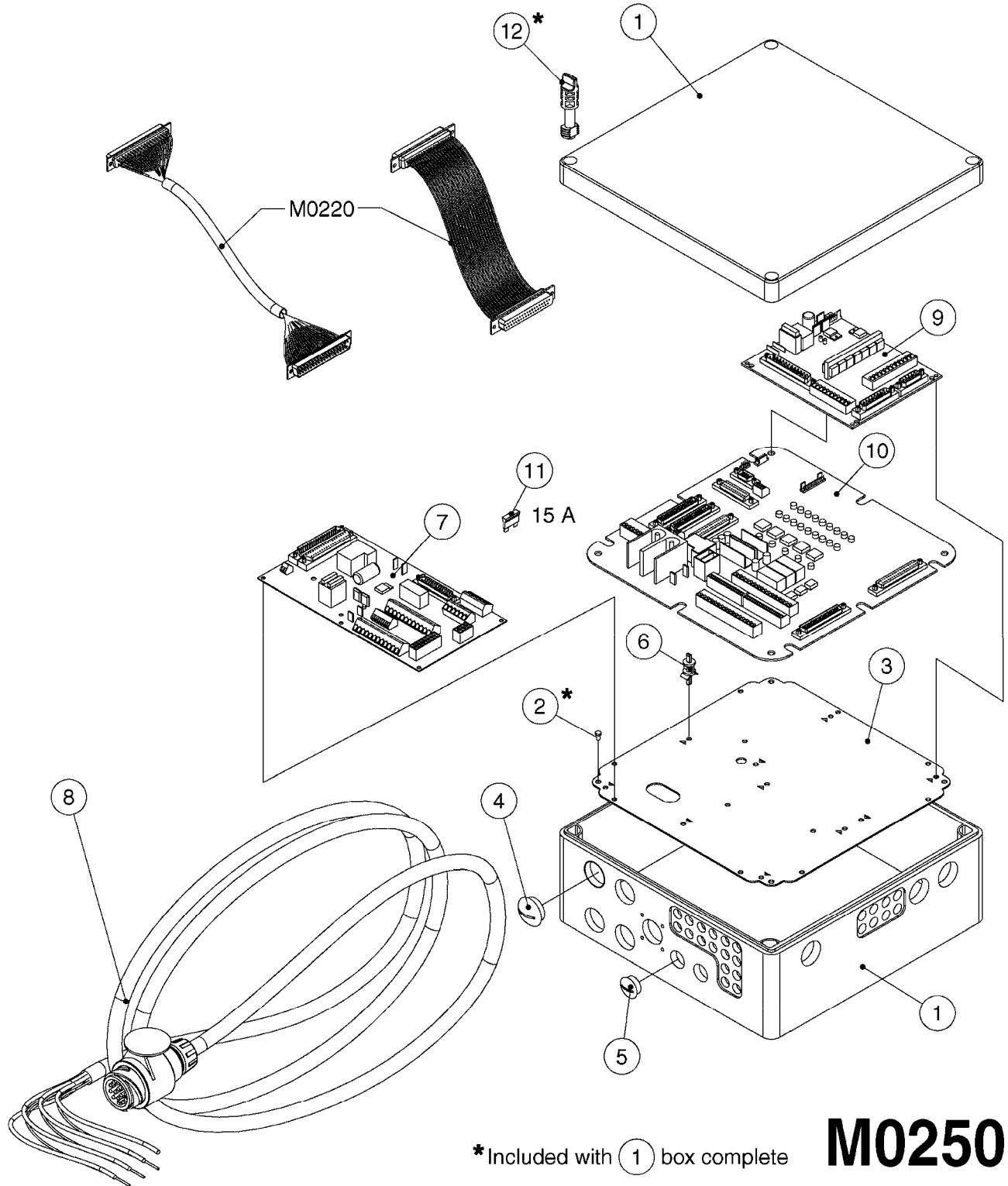


POWER SUPPLY CABLES
M0240-HIN, 01:01:16

Page 1

Date 07.02.2020 10:26

| parts-n° | order qty | description |
|----------|-----------|--------------------------------|
| 261605 | 1 | Fuse 25A ATOF Series |
| 983070 | 1 | CABLE 2X6² |
| 16112800 | 1 | BRACKET F.12V POWER CABLE/PLUG |
| 28048000 | 1 | PLUG 3-POL DIN 9680 FEM.CHASS |
| 72266300 | 1 | CABLE 12VDC POWER F. TRACTOR |



*Included with (1) box complete

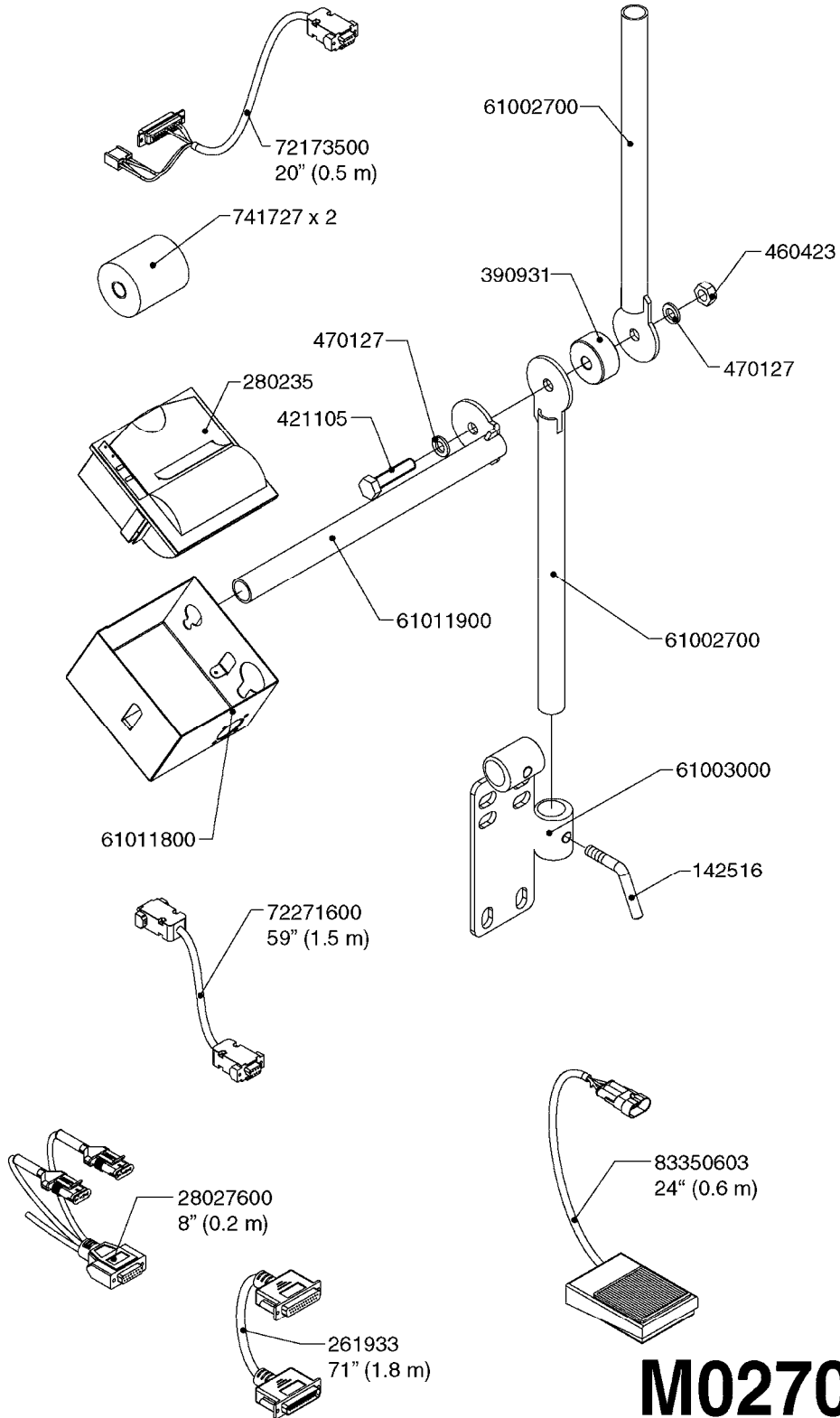
M0250



JOB COM AND BREAK OUT
M0250-HIN, 01:02:17

Page 1
Date 07.02.2020 10:26

| Pos. | parts-n° | order qty | description |
|------|----------|-----------|--------------------------------|
| 1 | 391095 | 1 | BOX COMPL. 300X300X135 DRILLED |
| 2 | 440673 | 1 | SCREW F.PLASTIC 5X12 SS |
| 3 | 16132400 | 1 | PLATE 1.5X270X270/JOB COMPUTER |
| 4 | 26004600 | 1 | PLUG F.DRILLED HOLE 21MM |
| 5 | 26004700 | 1 | PG13.5 BUNG |
| 6 | 26005100 | 1 | CONNECTOR FOR PCB, PLASTIC |
| 7 | 26005500 | 1 | PCB BREAKOUT BOX EL BOX CM"05" |
| 8 | 26013800 | 1 | CABLE HC6500 JOB COM TO CABIN |
| 9 | 26029200 | 1 | DAH PCB F. JOB COM NCM '09 |
| 10 | 26052700 | 1 | JOB COM PCB ASSY HW3.1 |
| 10 | 72369300 | 1 | JOB COM PCB NCM44/6600 REFURB. |
| 11 | 28048600 | 1 | FULE 15A ATOF SERIES |
| 12 | 28091400 | 1 | FINGER SCREW F.BOX 300X300X135 |





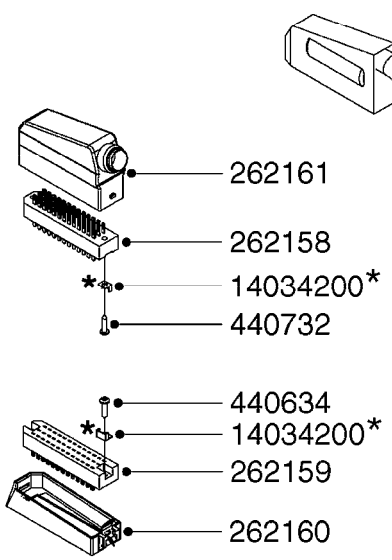
HC 5500 ACCESSORIES
M0270-HIN, 01:01:16

Page 1
Date 07.02.2020 10:26

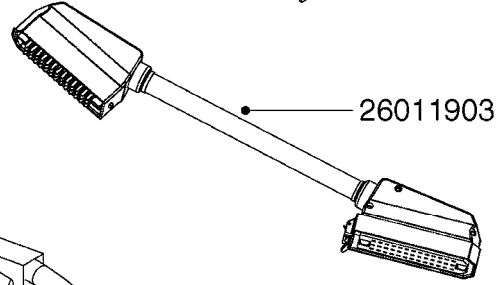
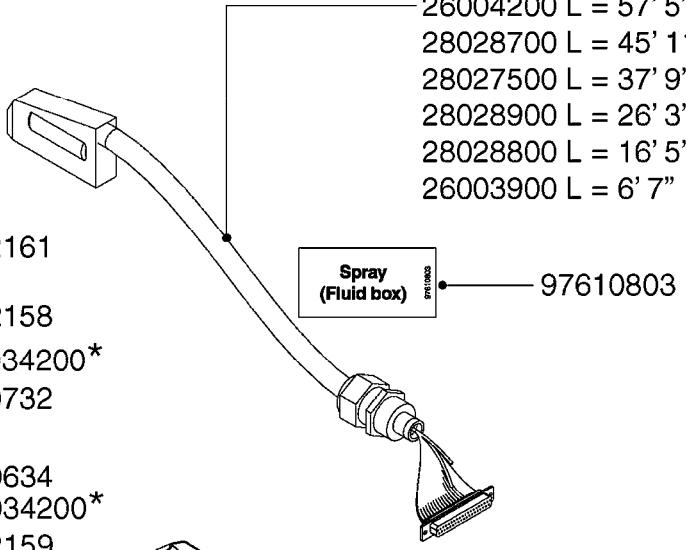
| parts-n° | order qty | description |
|----------|-----------|-----------------------------------|
| 142516 | 1 | SCREW SET M10 BENT F. LOCKING |
| 261933 | 1 | CABLE W/PLUG 2X25 L=71" |
| 280235 | 1 | HARDI PRINTER WITH CLOCK |
| 390931 | 1 | PLASTIC SPACER D40XD11 L=20 |
| 421105 | 1 | M10X45 MACHINE SCREW STAINLESS |
| 460423 | 1 | NUT HEX M10X1.50 LOCK DIN985A2 SS |
| 470127 | 1 | WASHER D15D10X2 M10 LOCK |
| 741727 | 1 | PAPER, THERMAL, HC5500 PRINTER |
| 28027600 | 1 | WIRE HC5500 AUX. |
| 61002700 | 1 | TUBE BRACKET F.TRACTOR MOUNT |
| 61003000 | 1 | BRACKET F.TRACTOR MOUNT |
| 61011800 | 1 | BOX FOR HARDI PRINTER |
| 61011900 | 1 | TUBE BRACKET F.TRACTOR MOUNT |
| 72173500 | 1 | WIRE F.PRINTER HC5500 L=20" |
| 72271600 | 1 | HC5500 COMMUNICATION CABLE |
| 83350603 | 1 | FOOT SWITCH HC5500 CONTROL |



LIQUID SYSTEM

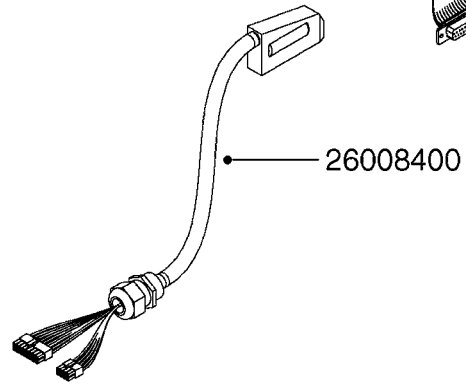
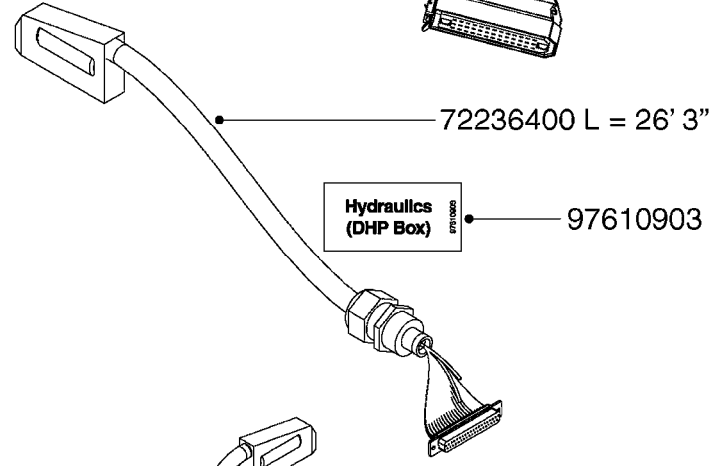
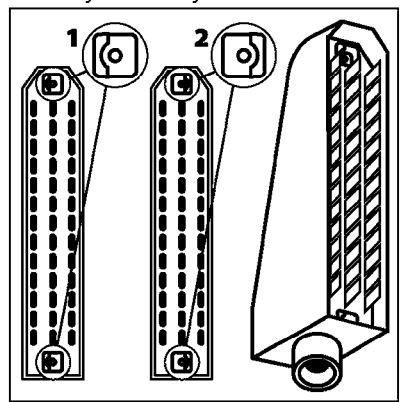


- 26004200 L = 57' 5"
- 28028700 L = 45' 11"
- 28027500 L = 37' 9"
- 28028900 L = 26' 3"
- 28028800 L = 16' 5"
- 26003900 L = 6' 7"



HYDRAULIC SYSTEM

* Note orientation of bracket
1 = Liquid system
2 = Hydraulic system



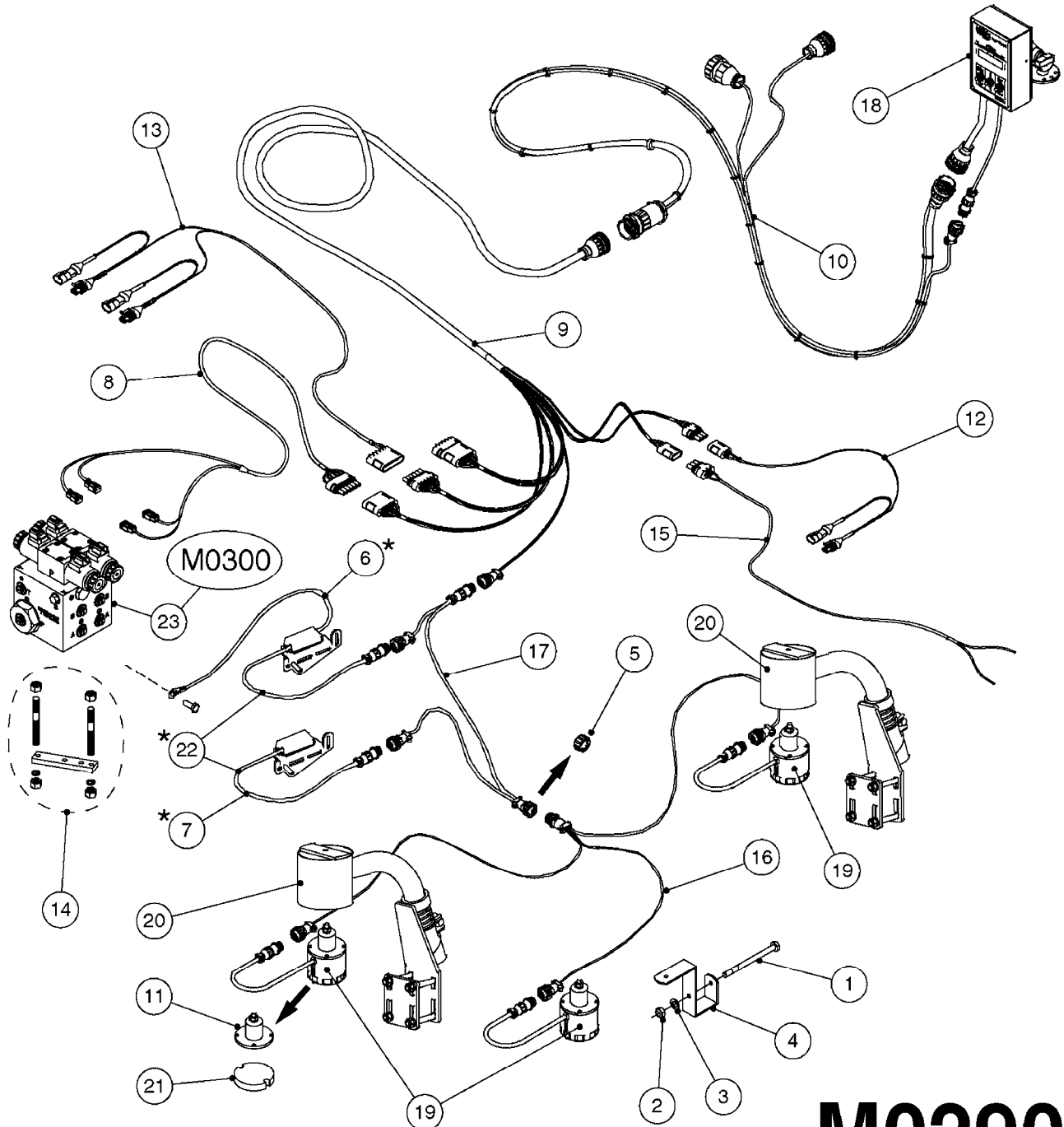
M0280



39 PIN CABLES
M0280-HIN, 28:03:17

Page 1
Date 07.02.2020 10:26

| parts-n° | order qty | description |
|----------|-----------|-------------------------------|
| 262158 | 1 | PLUG INSERT 39 POLE MALE |
| 262159 | 1 | PLUG INSERT 39 POLE FEMALE |
| 262160 | 1 | PLUG HOUSING 39 POLE FEMALE |
| 262161 | 1 | PLUG HOUSING F/39 POLE MALE |
| 440634 | 1 | SCREW 5/8" |
| 440732 | 1 | PT SCREW 35X12B Z5452 ELZ |
| 14034200 | 1 | CODE BRACKET FOR 39 PIN CABLE |
| 26003900 | 1 | WIRE 37-39 PIN EVC, 6.6' |
| 26004200 | 1 | WIRE 37-39 PIN EVC, 57.4' |
| 26008400 | 1 | WIRE 39-PIN 24 WIRE L=8M |
| 26011903 | 1 | WIRE 39-39 POLE EXT. 3660MM |
| 28027500 | 1 | WIRE 37-39 PIN EVC, 37.7' |
| 28028700 | 1 | WIRE 37-39 PIN EVC, 45.9' |
| 28028800 | 1 | WIRE 37-39 PIN EVC, 16.4' |
| 28028900 | 1 | WIRE 37-39 PIN EVC, 26.2' |
| 72236400 | 1 | DAH CONN. WIRE/TRACTOR L=8M |
| 97610803 | 1 | DECAL-SRAY BOX 39-PIN |
| 97610903 | 1 | DECAL-HYDRAULIC BOX 39-PIN |



M0290

***CANNOT MIX OLD AND NEW STYLE ROLL SENSORS!**

If replacing Norac P/N 44641 or 44642, must use pair of new style sensors (22).

Only new style sensors sold separately; (6) (Norac P/N 45000), (7) (Norac P/N 45001).

If unsure, pair of new style sensors works with all versions of UC4.

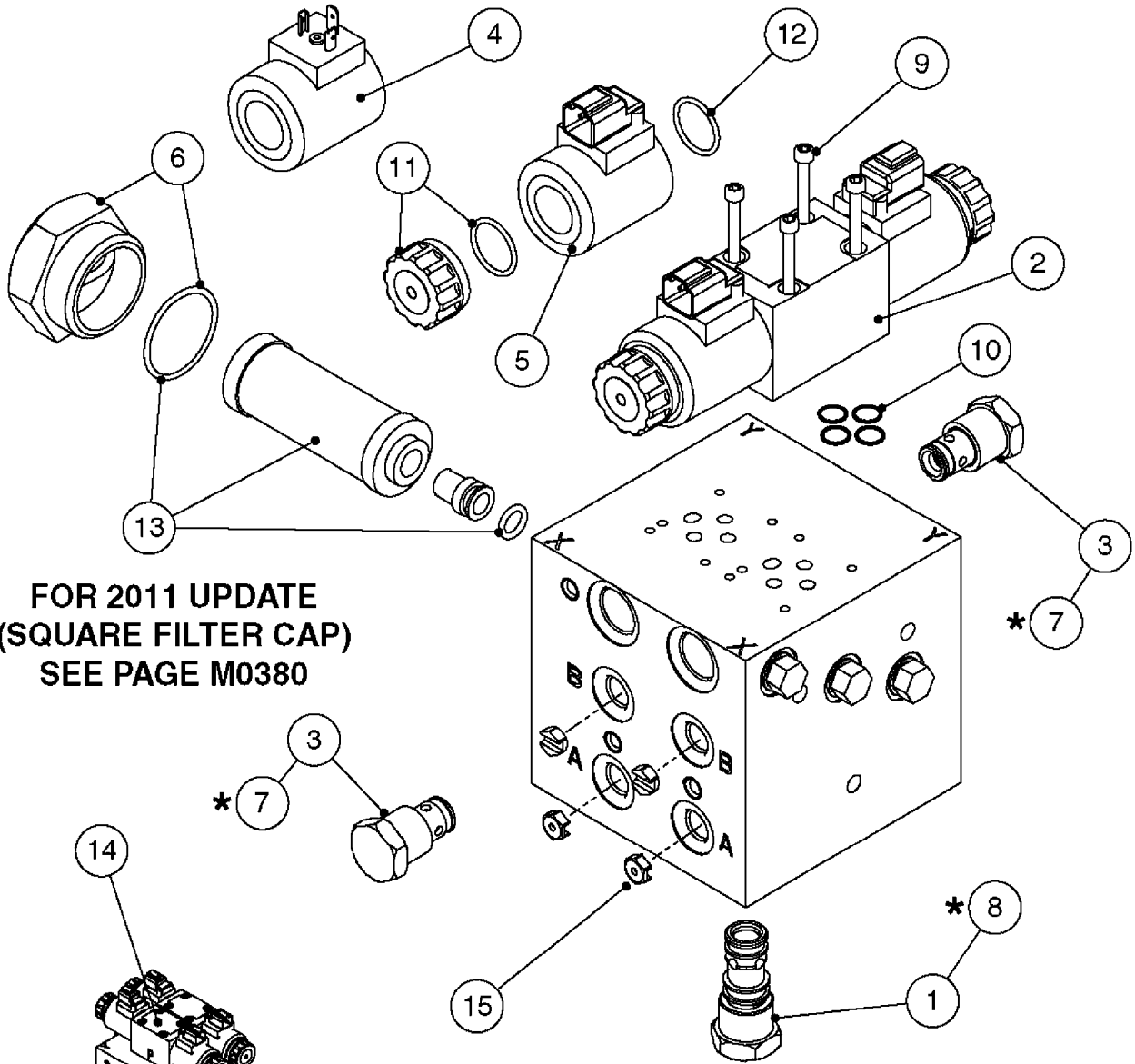


NORAC UC4 BOOM HEIGHT CONTROL
M0290-HIN, 01:01:16

Page 1

Date 07.02.2020 10:26

| Pos. | parts-n° | order qty | description |
|------|----------|-----------|--|
| 1 | 410443 | 1 | BOLT HEX 8.8 DEL M6X70 |
| 1 | 410605 | 1 | BOLT HEX 8.8 DEL M6X80 |
| | | | SPB/SPC BOOM |
| 2 | 460261 | 1 | NUT HEX M6X1.00 LOCK DIN985 A2 SS |
| 3 | 471124 | 1 | WASHER, M6, Ø18/ 6.4X 1.6, SS |
| 4 | 16128603 | 1 | BRACKET F. SENSOR 60X60 TUBE |
| | | | SPB/SPC BOOM |
| 4 | 16128703 | 1 | BRACKET F. SENSOR 50x50 TUBE |
| | | | FORCE BOOM (FTZ) |
| 5 | 26016303 | 1 | CONNECTOR RING CPC #11 NORAC |
| 6 | 26025903 | 1 | NORAC UC4+ ROLL SENSOR W/TEMP. |
| | | | CONFIRM NORAC P/N 45000 |
| 7 | 26026003 | 1 | NORAC UC4+ ROLL SENSOR |
| | | | CONFIRM NORAC P/N 45001 |
| 8 | 26026600 | 1 | NORAC CABLE VAR.RT.VLV DIN |
| | | | 3-PIN CONNECTORS/HIRSCHMAN |
| 8 | 28055603 | 1 | NORAC CABLE VAR.RT.VLV DEUTSCH |
| | | | 2-PIN CONNECTORS/DEUTSCH |
| 9 | 28049503 | 1 | NORAC CABLE EXTENSION |
| 10 | 28049603 | 1 | NORAC POWER CABLE |
| 11 | 28050303 | 1 | NORAC RUBBER TOP&BOLT F.SENSOR DIA.30MMX30MMX8MM |
| 12 | 28050703 | 1 | NORAC UC4+ OPEN CTR. CABLE |
| 13 | 28054303 | 1 | PARALIFT INTERFACE CABLE NORAC |
| 14 | 28055503 | 1 | NORAC VALVE MOUNTING HARDWARE |
| 15 | 28055703 | 1 | NORAC VALVE CABLE ROLL PIGTAIL |
| 16 | 28085900 | 1 | SENSOR BRANCH CABLE NORAC |
| 17 | 28086200 | 1 | CAN NODE DUAL CABLE NORAC |
| 18 | 28086300 | 1 | UC4 DISPLAY PANEL NORAC |
| 19 | 28086400 | 1 | UC4 ULTRASONIC SENSOR |
| 20 | 28086500 | 1 | UC4 SENSOR MOUNTING BKT. NORAC |
| 21 | 28086600 | 1 | FOAM DISC F. SENSOR NORAC |
| 22 | 70112503 | 1 | UC4+ ROLL SENSOR KIT '11 HIN |
| | | | INCLUDES NORAC P/N 45000 & 45001 |
| 23 | 78216100 | 1 | NORAC VALVE BLOCK COMP, DEUTSCH CON. |



FOR 2011 UPDATE
(SQUARE FILTER CAP)
SEE PAGE M0380

COMPLETE
ASSEMBLY

* SEAL KITS

M0300



NORAC VARIABLE RATE VALVE UC4
M0300-HIN, 30:04:19

Page 1
Date 07.02.2020 10:26

| Pos. | parts-n° | order qty | description |
|------|----------|-----------|--|
| 1 | 28048803 | 1 | NORAC CHECK VALVE |
| 2 | 28048903 | 1 | NORAC PROP VALVE |
| 2 | 28055803 | 1 | 3-PIN CONNECTORS/HIRSCHMAN NORAC SOLENOID - DEUTSCH CONN. 2-PIN CONNECTORS/DEUTSCH |
| 3 | 28049403 | 1 | NORAC CHECK VALVE |
| 4 | 28056403 | 1 | COIL, NORAC, PROP, DIN |
| 5 | 28056503 | 1 | COIL, NORAC, PROP, DEUTSCH |
| 6 | 28066803 | 1 | NORAC FILTER CAP W/O-RING |
| 7 | 28066903 | 1 | NORAC SEAL KIT F.28049403 |
| 8 | 28067003 | 1 | NORAC SEAL KIT F.28048803 |
| 9 | 28068103 | 1 | NORAC HEX CAPSCREW 10-24X2 SS |
| 10 | 28068203 | 1 | NORAC O-RING F.SOLENOID VALVE |
| 11 | 28074903 | 1 | NORAC COIL NUT AND O-RING |
| 12 | 28103603 | 1 | O-RING SOLENOID BODY SEAL NORAC |
| 13 | 75076900 | 1 | NORAC FILTER ELEMENT KIT |
| 14 | 78216100 | 1 | NORAC VALVE BLOCK COMP, DEUTSCH CON. COMPLETE W/2-PIN DEUTSCH SOLENOIDS |
| 15 | 78603300 | 1 | NORAC ONE WAY ORIFICE, .047" |

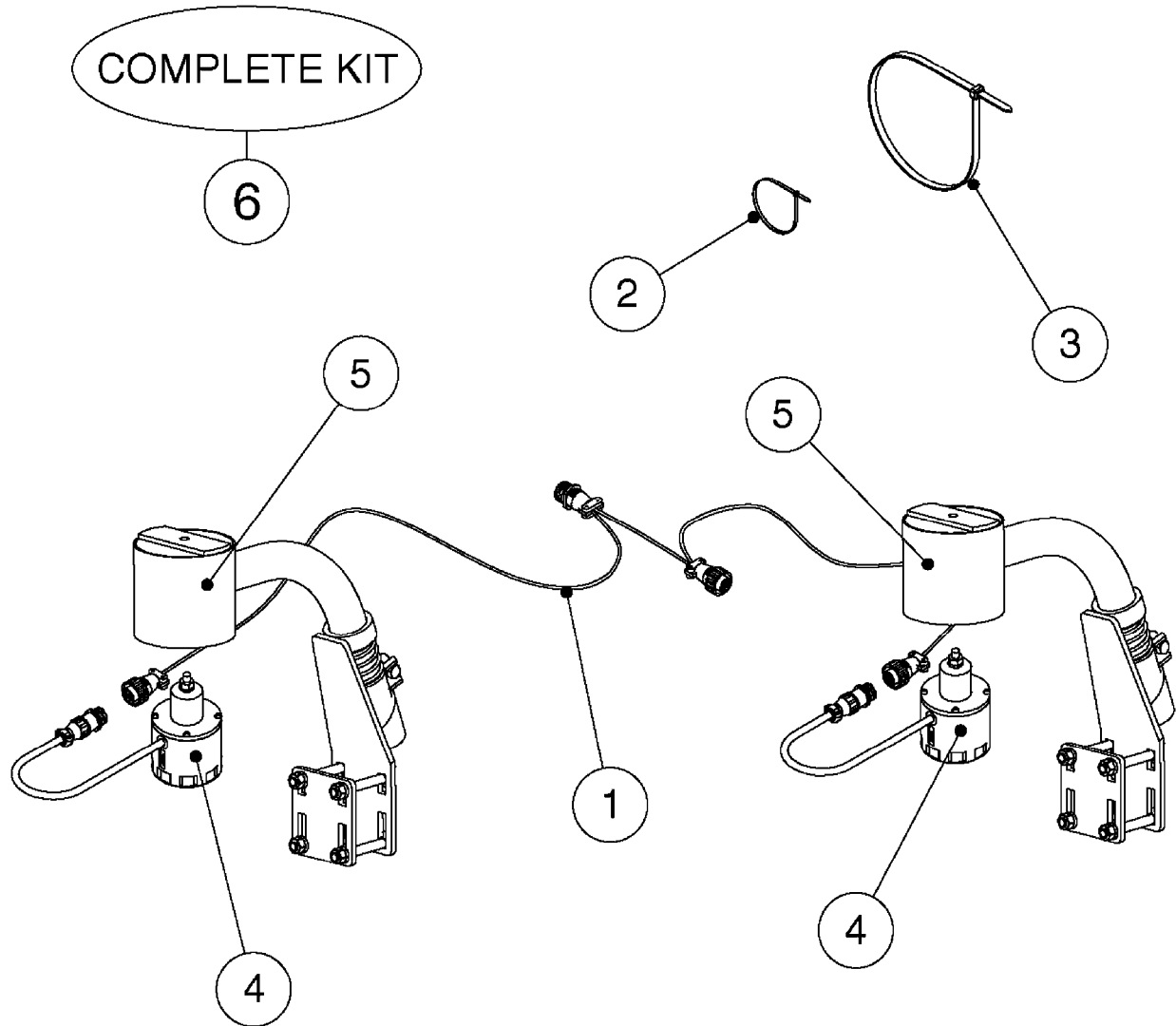


JUNCTION BOXES - HYDRAULIC
M0350-HIN, 15:07:19

Page 1

Date 07.02.2020 10:26

| Pos. | parts-n° | order qty | description |
|------|----------|-----------|---|
| 1 | 261442 | 1 | LID F.3010/3012 HP BOX |
| 2 | 391071 | 1 | BOX FOR HY.DAH |
| 3 | 983070 | 1 | CABLE 2X6² |
| 4 | 26016900 | 1 | CABLE DB25M - DB25F L=8.5m |
| 5 | 26018000 | 1 | HYD JUNCTION BOX SPZ PRE 2012 EAGLE SPC BOOMS |
| 5 | 26018100 | 1 | HYD. BOX BOOM PCB W/LEADS FOR FORCE/TWIN FORCE BOOMS |
| 5 | 26018500 | 1 | HYD. BOX BOOM PCB NO LEADS |
| 5 | 26038300 | 1 | HYD JUNCTION BOX GENERIC 2012 EAGLE SPC/FORCE BOOMS |
| 6 | 26087600 | 1 | DAH INTERFACE PCB ASSY. V.2.0 |
| 7 | 28048000 | 1 | PLUG 3-POL DIN 9680 FEM.CHASS |
| 8 | 28048100 | 1 | PLUG 3-POL DIN 9680 MALE SPRAY |
| 9 | 28048200 | 1 | WIRE GROMET RUBBER 4 HOLE |
| 10 | 28048500 | 1 | FUSE 10A ATOF SERIES |



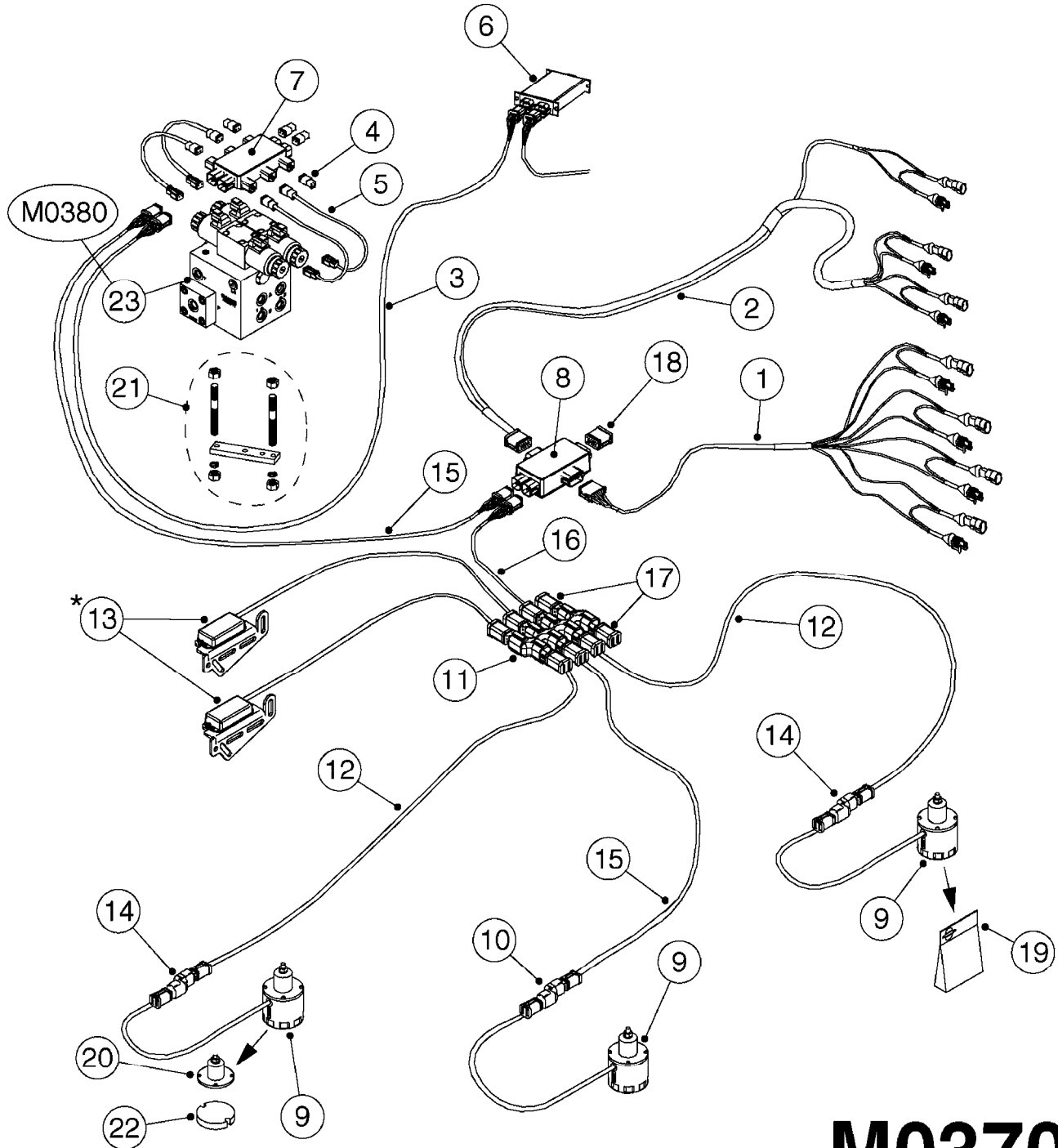
M0360



NORAC SEVERE TERRAIN KIT
M0360-HIN, 01:01:16

Page 1
Date 07.02.2020 10:26

| Pos. | parts-n° | order qty | description |
|------|----------|-----------|--------------------------------|
| 1 | 26030300 | 1 | NORAC SEVERE TERRAIN CABLE |
| 2 | 28024103 | 1 | TIE STRAP L=8" x W=3/16" |
| 3 | 28025203 | 1 | TIE STRAP L=23" x W=1/2" |
| 4 | 28086400 | 1 | UC4 ULTRASONIC SENSOR |
| 5 | 28086500 | 1 | UC4 SENSOR MOUNTING BKT. NORAC |
| 6 | 72591600 | 1 | NORAC HC SEVERE TERRAIN KIT |



M0370

***CANNOT MIX OLD AND NEW STYLE ROLL SENSORS!**

If replacing Norac P/N 43740, must replace both roll sensors with new style (13).
If unsure, new style (Norac P/N 43741) works with all versions of UC5.

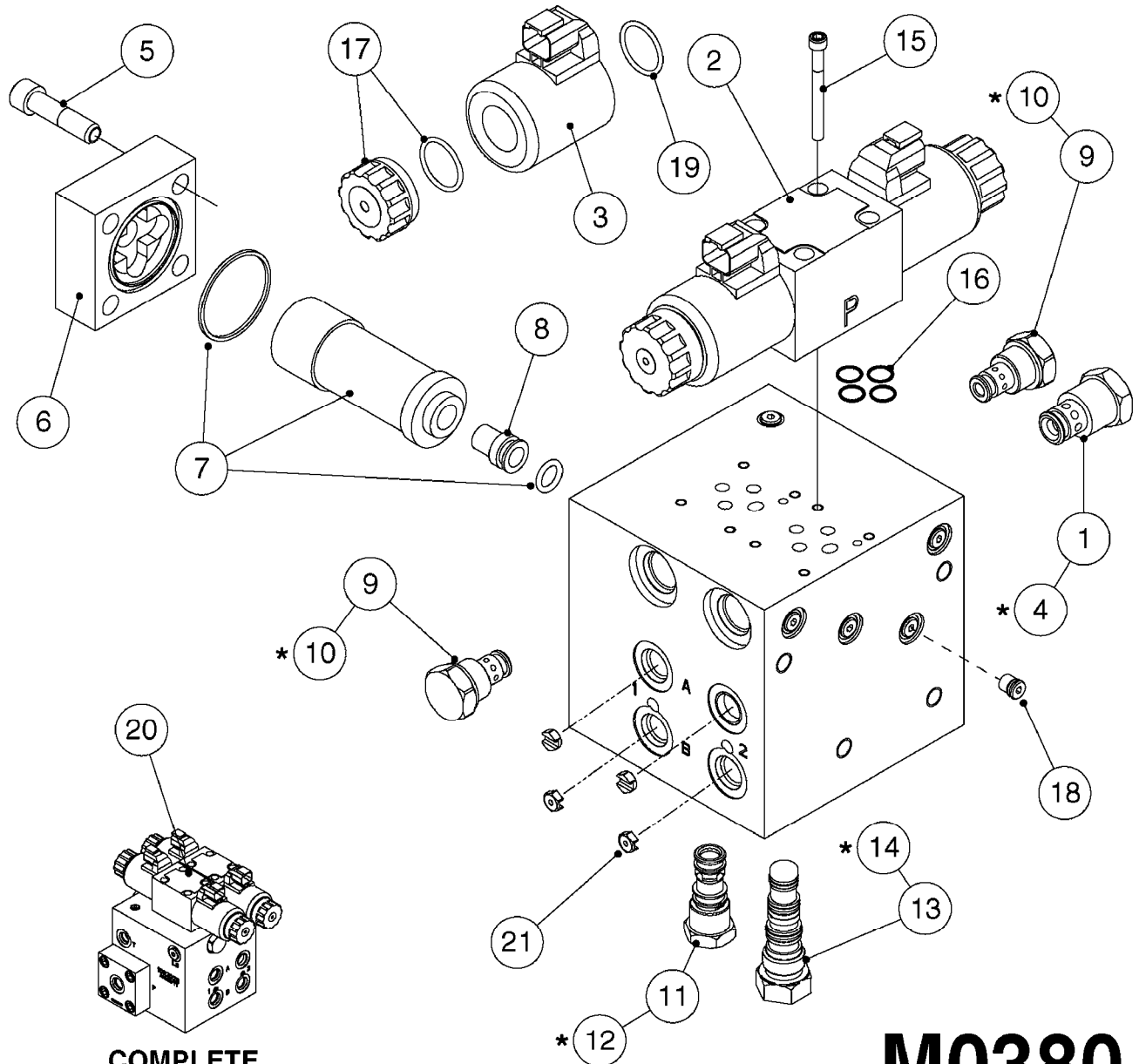


NORAC UC5 BOOM HEIGHT CONTROL
M0370-HIN, 16:10:18

Page 1

Date 07.02.2020 10:27

| Pos. | parts-n° | order qty | description |
|------|----------|-----------|--|
| 1 | 26022703 | 1 | CABLE, INTERFACE, TILT, NORAC UC5 |
| 2 | 26023503 | 1 | CABLE UC5 INTERFACE MAIN AMP |
| 3 | 26032600 | 1 | CABLE UC5 NETWORK 14 AWG 10M |
| 4 | 26043000 | 1 | NORAC UC5 NETWORK 2 PIN PLUG |
| 5 | 26043300 | 1 | CABLE UC5 VALVE 2PIN/2PIN DT |
| 6 | 26043400 | 1 | NORAC UC5 CONTROLLER MODULE |
| 7 | 26043500 | 1 | NORAC UC5 VALVE MODULE |
| 8 | 26043600 | 1 | MODULE, INPUT, NORAC UC5 |
| 9 | 26043700 | 1 | SENSOR, NORAC, UC5, ULTRASONIC |
| 10 | 26043800 | 1 | NORAC UC5 NETWORK COUPLER 2-WAY |
| 11 | 26043900 | 1 | NORAC UC5 NETWORK COUPLER 8-WAY |
| 12 | 26044200 | 1 | CABLE UC5 NETWORK 18 AWG 20M |
| 13 | 26023803 | 1 | NORAC UC5 ROLL SENSOR OLD STYLE NORAC P/N 43740 |
| 13 | 26044300 | 1 | NORAC UC5 ROLL SENSOR NEW STYLE NORAC P/N 43741 |
| 14 | 26044400 | 1 | NORAC UC5 - UC7 COUPLER 2-WAY/TERM. |
| 15 | 26047100 | 1 | CABLE UC5 NETWORK 14 AWG 1M |
| 16 | 26049900 | 1 | CABLE UC5 NETWORK 14 AWG 3M |
| 17 | 26057900 | 1 | UC5 NETWORK 6 PIN PLUG |
| 18 | 26058000 | 1 | NORAC UC5 NETWORK 12-PIN PLUG |
| 19 | 26084700 | 1 | MESH KIT ULTRASONIC SENSOR FOR 2018 AND NEWER SENSORS |
| 19 | 28098003 | 1 | MESH AND CLIP KIT, NORAC FOR PRE-2018 SENSORS |
| 20 | 28050303 | 1 | NORAC RUBBER TOP&BOLT F.SENSOR DIA.30MMX30MMX8MM |
| 21 | 28055503 | 1 | NORAC VALVE MOUNTING HARDWARE |
| 22 | 28086600 | 1 | FOAM DISC F. SENSOR NORAC |
| 23 | 78216100 | 1 | NORAC VALVE BLOCK COMP, DEUTSCH CON. |



**COMPLETE
ASSEMBLY**

***SEAL KITS**

M0380

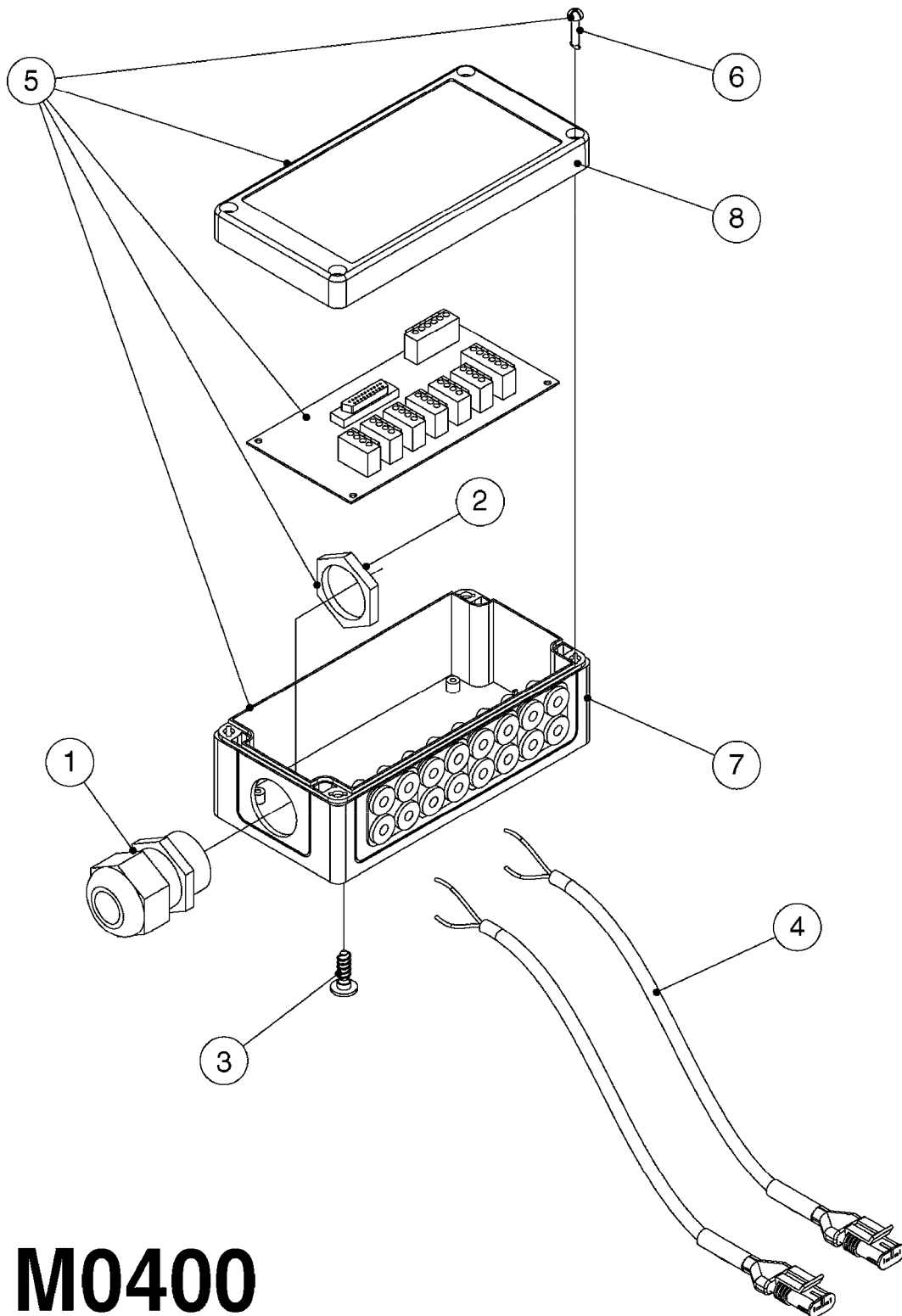


NORAC VAR. RATE VALVE UC4/UC5
M0380-HIN, 30:04:19

Page 1

Date 07.02.2020 10:27

| Pos. | parts-n° | order qty | description |
|------|----------|-----------|--------------------------------------|
| 1 | 28049403 | 1 | NORAC CHECK VALVE |
| 2 | 28055803 | 1 | NORAC SOLENOID - DEUTSCH CONN. |
| 3 | 28056503 | 1 | COIL, NORAC, PROP, DEUTSCH |
| 4 | 28066903 | 1 | NORAC SEAL KIT F.28049403 |
| 5 | 28067103 | 1 | NORAC HEX CAPSCREW 3/8X1-1/4" |
| 6 | 28067203 | 1 | NORAC FILTER CAP - 4 BOLT |
| 7 | 28067303 | 1 | KIT FILTER NORAC UC5 106285 |
| 8 | 28067403 | 1 | NORAC VALVE FILTER INSERT |
| 9 | 28067503 | 1 | NORAC CHECK VALVE C-8-2 |
| 10 | 28067603 | 1 | NORAC SEAL KIT F.28067503 |
| 11 | 28067703 | 1 | NORAC CHECK VALVE C-8-3 |
| 12 | 28067803 | 1 | NORAC SEAL KIT F.28067703 |
| 13 | 28067903 | 1 | NORAC CHECK VALVE C-8-4 |
| 14 | 28068003 | 1 | NORAC SEAL KIT F.28067903 |
| 15 | 28068103 | 1 | NORAC HEX CAPSCREW 10-24X2 SS |
| 16 | 28068203 | 1 | NORAC O-RING F.SOLENOID VALVE |
| 17 | 28074903 | 1 | NORAC COIL NUT AND O-RING |
| 18 | 28089903 | 1 | NORAC PLUG#2 SAE ZERO-LEAK |
| 19 | 28103603 | 1 | O-RING SOLENOID BODY SEAL NORAC |
| 20 | 78216100 | 1 | NORAC VALVE BLOCK COMP, DEUTSCH CON. |
| 21 | 78603300 | 1 | NORAC ONE WAY ORIFICE, .047" |



M0400



HYD. JUNCTION BOX 2012
M0400-HIN, 01:01:16

Page 1

Date 07.02.2020 10:27

| Pos. | parts-n° | order qty | description |
|------|----------|-----------|-----------------------------------|
| 1 | 262106 | 1 | BULKHEAD F. CABLE 6.5-14 BLACK |
| 2 | 262107 | 1 | NUT F. BULKHEAD CABLE GRAY |
| 3 | 440675 | 1 | SCREW F. PLASTIC 5X16 SS |
| 4 | 26006400 | 1 | CABLE L = 0.75M, AMP, MALE, 2P |
| 5 | 26018500 | 1 | HYD. BOX BOOM PCB NO LEADS |
| 6 | 28082100 | 1 | SCREW F. BOX LID 1/4" L=20 |
| 7 | 33508700 | 1 | BOX BOTTOM 160X80X40 BLACK 1-HOLE |
| 8 | 33508800 | 1 | LID 160X80X15 BLK W/SCREWS |