



Agroparts: www.HARDI-INTERNATIONAL.com

LP 100/150 Gallon 22" Fan

Country-Code 11

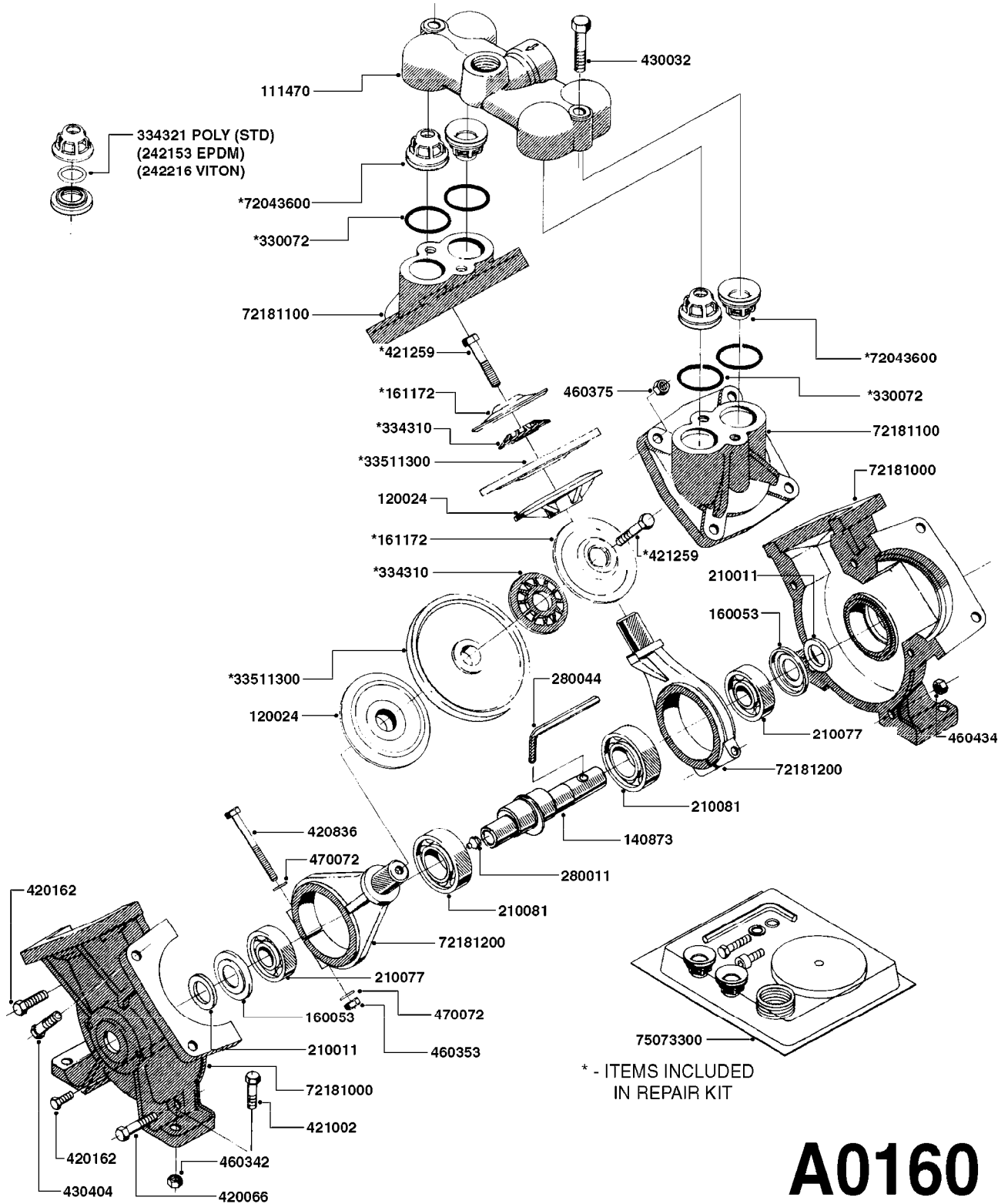
Date 07.02.2020 10:49



**100/150
Gallon
22" Fan**



| main group | page-n° | date | description |
|-----------------------------|-----------|----------|--------------------------------|
| Pumps | A0160-HIN | 01:01:16 | PUMP - 1202 W/MOUNTING BASE |
| | A0170-HIN | 01:01:16 | PUMP - 1203 W/MOUNTING BASE |
| | A0190-HIN | 01:01:16 | PUMP - 1203 F. LE/LE-SPV/LP |
| | A0510-HIN | 23:10:18 | PTO SHAFTS - BONDIOLI DIAPH. |
| | A0520-HIN | 23:10:18 | PTO SHAFTS - BONDIOLI CENT. |
| | A0580-HIN | 01:01:16 | PTO SHAFTS - AMA DIAPHRAGM |
| Controls, Filters, Valves | B0060-HIN | 01:01:16 | LP - DISTRIBUTION VALVES |
| | B0080-HIN | 30:08:16 | BK-180 MASTER VALVE - MANUAL |
| | B0090-HIN | 30:08:16 | BK-180 MASTER VALVE-MAN.POST94 |
| | B0120-HIN | 01:01:16 | BK-180 VALVES F.LE/LE-SPV/LP |
| | B0130-HIN | 01:01:16 | LE/LE-SPV/LP - PLUMBING BK-180 |
| | B0150-HIN | 01:01:16 | BK-180 REMOTE CONTROL CABLE |
| | B0710-HIN | 01:01:16 | SUCTION FILT.-VINEYARD&ORCHARD |
| Tank and Frame: Mistblowers | F0030-HIN | 01:01:16 | TANK - LE/LE-SPV/LP 100/150 |
| | F0040-HIN | 01:01:16 | FRAME - LE/LE-SPV/LP 100/150 |
| Blower unit mistblowers | G0120-HIN | 01:01:16 | LP - GEAR BOX |
| | G0130-HIN | 01:01:16 | LP - BLOWER |
| | G0140-HIN | 01:01:16 | LP - BLOWER FAN |
| | G0150-HIN | 01:01:16 | LP - FRAME F. OUTLETS |
| | G0180-HIN | 01:01:16 | LB/LP-SINGLE & DOUBLE NOZZLES |
| | G0370-HIN | 01:01:16 | LP - PNEUMATIC OUTLETS |
| Special equipment, Extras | G0420-HIN | 01:01:16 | TUBES & HOSES |
| | K0130-HIN | 01:01:16 | CLEAN WATER TANK |
| | K0180-HIN | 01:01:16 | DRAIN ASSEMBLY-PULL CORD TYPE |
| | | | |

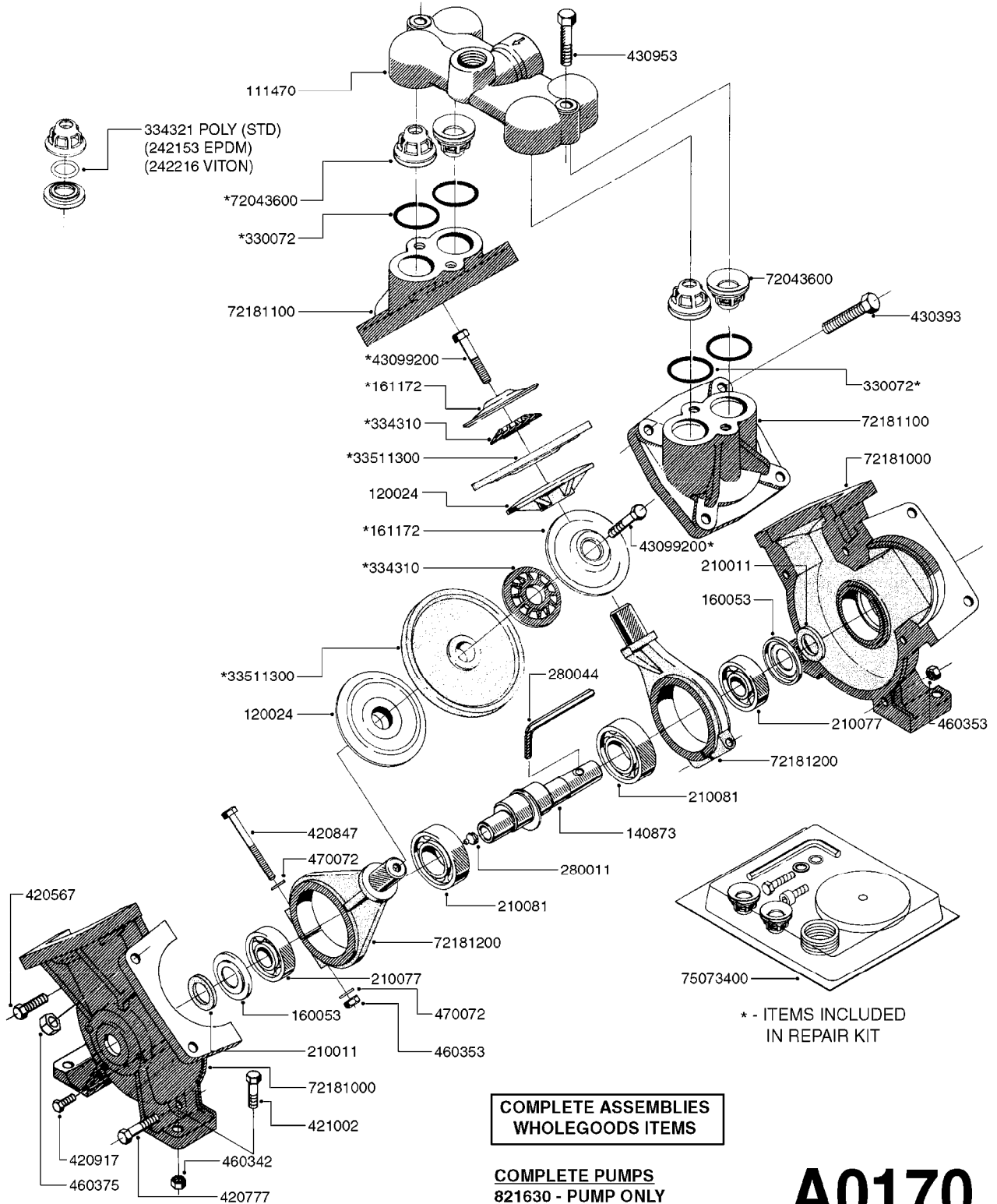




PUMP - 1202 W/MOUNTING BASE
A0160-HIN, 01:01:16

Page 1
Date 07.02.2020 10:49

| parts-n° | order qty | description |
|----------|-----------|-----------------------------------|
| 111470 | 1 | VALVE CHAMBER 1202 |
| 120024 | 1 | DIAPHRAGM BACK DISC 1200-1300 |
| 140873 | 1 | CRANK SHAFT MODEL 1202-9MM |
| 160053 | 1 | DUST PLATE |
| 161172 | 1 | DIAPHRAGM DISC F. 1203/1303 |
| 210011 | 1 | SEAL FELT D39/23 X 4 |
| 210077 | 1 | BEARING BALL 6305 |
| 210081 | 1 | BEARING BALL 6307 |
| 242153 | 1 | O-RING D26X4 EPDM |
| 242216 | 1 | O-RING VITON F/1202/1302/462 |
| 280011 | 1 | GREASE NIPPLE 1/8' SAE H TR |
| 280044 | 1 | KEY HEXAGON W6 3/16' |
| 330072 | 1 | O-RING D53.5/D45.5X4 |
| 334310 | 1 | NYLON WASHER 1202/1302/462 |
| 334321 | 1 | O-RING POLY. 34.0x26.0x4.0 |
| 420066 | 1 | BOLT HEX 8.8 DEL 3/8"X50MM |
| 420162 | 1 | BOLT HEX 8.8 DEL 3/8"x15MM |
| 420836 | 1 | BOLT HEX 8.8 RAW M8X85 |
| 421002 | 1 | BOLT HEX 8.8 DEL M10X30 FT DIN933 |
| 421259 | 1 | BOLT HEX UNC7/16"x2.25" 18-8SS |
| 430032 | 1 | BOLT HEX 8.8 RAW 1/2'X55MM |
| 430404 | 1 | BOLT HEX 8.8 DEL M12X50 |
| 460342 | 1 | NUT HEX M10 DEL DIN934 |
| 460353 | 1 | NUT HEX M8 BLACK |
| 460375 | 1 | NUT HEX M12 BLACK |
| 460434 | 1 | NUT HEX 3/8' NC BLACK |
| 470072 | 1 | WASHER D15/D8X.5 LOCK |
| 33511300 | 1 | DIAPHRAGM 1202-1303 POLY 2006 |
| 72043600 | 1 | VALVE FOR 462/463 |
| 72181000 | 1 | HOUSING, PUMP, 1203 RED |
| 72181100 | 1 | DIAPHRAGM COVER 1203/1303+BLTS |
| 72181200 | 1 | CONNECTING ROD FOR 1203 W/M12 |
| 75073300 | 1 | PUMP KIT 1200/1202 "06" |



COMPLETE ASSEMBLIES
WHOLEGOODS ITEMS

COMPLETE PUMPS
821630 - PUMP ONLY
10396003 - WITH PTO & DAMPER

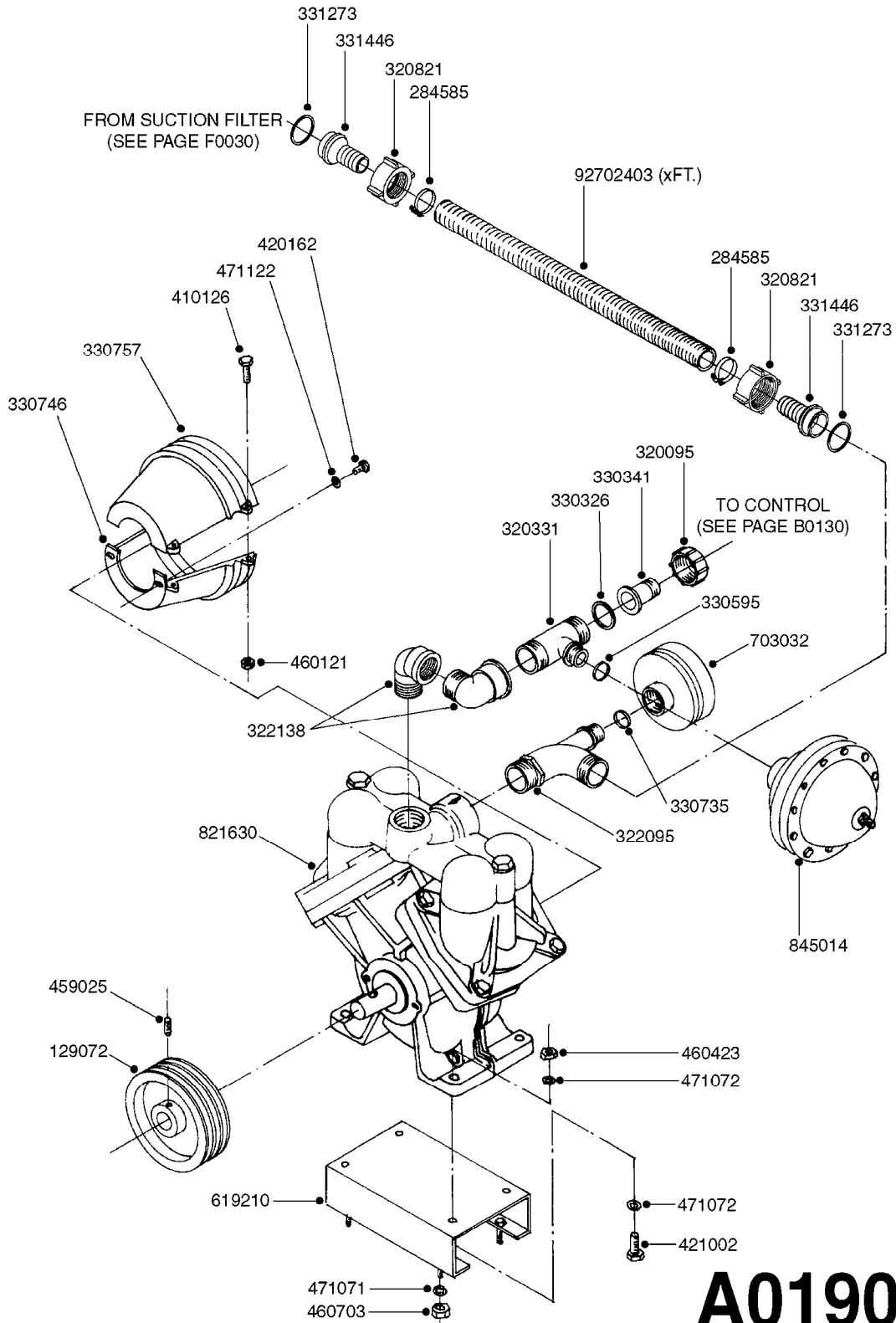
A0170



PUMP - 1203 W/MOUNTING BASE
A0170-HIN, 01:01:16

Page 1
Date 07.02.2020 10:49

| parts-n° | order qty | description |
|----------|-----------|-----------------------------------|
| 111470 | 1 | VALVE CHAMBER 1202 |
| 120024 | 1 | DIAPHRAGM BACK DISC 1200-1300 |
| 140873 | 1 | CRANK SHAFT MODEL 1202-9MM |
| 160053 | 1 | DUST PLATE |
| 161172 | 1 | DIAPHRAGM DISC F. 1203/1303 |
| 210011 | 1 | SEAL FELT D39/23 X 4 |
| 210077 | 1 | BEARING BALL 6305 |
| 210081 | 1 | BEARING BALL 6307 |
| 242153 | 1 | O-RING D26X4 EPDM |
| 242216 | 1 | O-RING VITON F/1202/1302/462 |
| 280011 | 1 | GREASE NIPPLE 1/8" SAE H TR |
| 280044 | 1 | KEY HEXAGON W6 3/16" |
| 330072 | 1 | O-RING D53.5/D45.5X4 |
| 334310 | 1 | NYLON WASHER 1202/1302/462 |
| 334321 | 1 | O-RING POLY. 34.0x26.0x4.0 |
| 420567 | 1 | BOLT HEX 8.8 DEL M8X30 FT |
| 420777 | 1 | BOLT HEX 8.8 RAW M8X50 |
| 420847 | 1 | BOLT HEX 8.8 DEL M8X85 |
| 420917 | 1 | BOLT HEX 8.8 RAW M8X12 FT |
| 421002 | 1 | BOLT HEX 8.8 DEL M10X30 FT DIN933 |
| 430393 | 1 | BOLT HEX 8.8 RAW M12X50 |
| 430953 | 1 | BOLT, M12 X 55 8.8 |
| 460342 | 1 | NUT HEX M10 DEL DIN934 |
| 460353 | 1 | NUT HEX M8 BLACK |
| 460375 | 1 | NUT HEX M12 BLACK |
| 470072 | 1 | WASHER D15/D8X.5 LOCK |
| 821630 | 1 | PUMP 1203/9 540RPM |
| 10396003 | 1 | PUMP 1203 C/W PTO 540 RPM |
| 33511300 | 1 | DIAPHRAGM 1202-1303 POLY 2006 |
| 43099200 | 1 | BOLT HEX SS M12 X 30 DIN933 A4 |
| 72043600 | 1 | VALVE FOR 462/463 |
| 72181000 | 1 | HOUSING, PUMP, 1203 RED |
| 72181100 | 1 | DIAPHRAGM COVER 1203/1303+BLTS |
| 72181200 | 1 | CONNECTING ROD FOR 1203 W/M12 |
| 75073400 | 1 | PUMP KIT 1203 MM "06" |



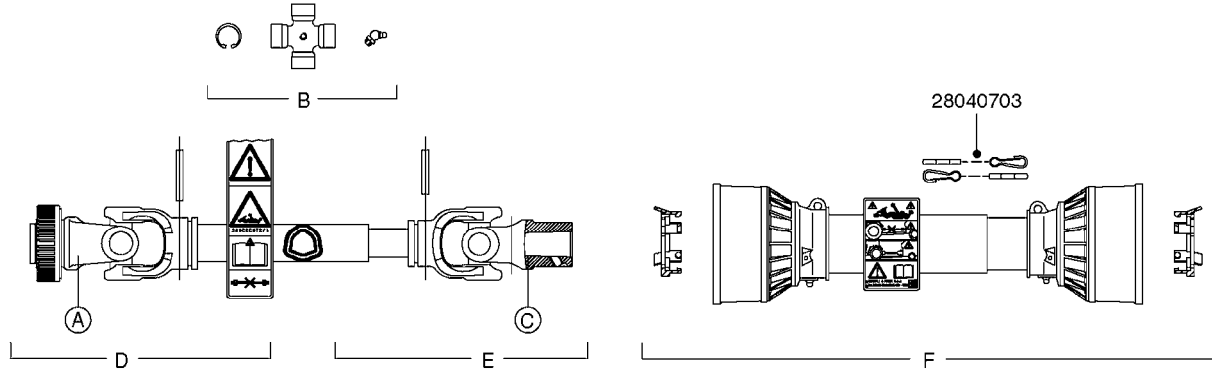


PUMP - 1203 F. LE/LE-SPV/LP
A0190-HIN, 01:01:16

Page 1

Date 07.02.2020 10:49

| parts-n° | order qty | description |
|----------|-----------|------------------------------------|
| 129072 | 1 | PULLEY Ø 200-3 C/SPZ 25MM |
| 284585 | 1 | CLAMP HOSE GEAR 1" MINI 020 |
| 320095 | 1 | FITT.DK NUT 1" BSP |
| 320331 | 1 | FITT.DK TEE 1" - 1" - 3/4" BSP |
| 320821 | 1 | FITT.DK NUT 1-1/2" BSP |
| 322095 | 1 | FITT.DK TEE 1-1/2 X1-1/4 X3/4" BSP |
| 322138 | 1 | FITT.DK ELB 1"M X 1"F BSP |
| 330326 | 1 | O-RING D30/D24X2 F.1"NUT |
| 330341 | 1 | FITT.DK HB 1" F. 1" NUT |
| 330595 | 1 | O-RING D24.6/D20X2.1 -3/4" |
| 330735 | 1 | O-RING D30/D26X2 |
| 330746 | 1 | GUARD PTO LOWER PART |
| 330757 | 1 | GUARD PTO UPPER PART |
| 331273 | 1 | O-RING D44/D38X2 F.1-1/2" |
| 331446 | 1 | FITT.DK HB 1" F.1-1/2" NUT |
| 410126 | 1 | SCREW 1/4"X3/4" GALV. |
| 420162 | 1 | BOLT HEX 8.8 DEL 3/8"x15MM |
| 421002 | 1 | BOLT HEX 8.8 DEL M10X30 FT DIN933 |
| 459025 | 1 | SCREW SET M8X30 |
| 460121 | 1 | NUT 1/4" GALV. |
| 460423 | 1 | NUT HEX M10X1.50 LOCK DIN985A2 SS |
| 460703 | 1 | NUT HEX M12X1.75 LOCK DIN985A2 SS |
| 471071 | 1 | WASHER M12 GALV |
| 471072 | 1 | WASHER M10 EL2 |
| 471122 | 1 | WASHER, M10, Ø20/10.5X 2.0, SS |
| 619210 | 1 | PUMP MNT.BRKT. LE/LP/SPV 1202 |
| 703032 | 1 | SUCTION AIR BOTTLE 3/4" COMPL. |
| 821630 | 1 | PUMP 1203/9 540RPM |
| 845014 | 1 | AIR BOTTLE COMPLETE HJ73 |
| 92702403 | 1 | HOSE PVC SUCT GRAY 1" |

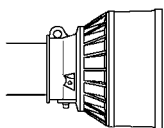


| PTO | TRACTOR | IMPLEMENT | LENGTH | A | B | C | D | E | F |
|------------|---------------------|---------------------|-----------|----------|----------|----------|----------|----------|----------|
| 28020203 † | 1-3/4" 20-SPLINE | 1-3/8" 21-SPLINE | 860/1313 | 28015703 | 28009403 | 28040603 | 28015803 | 28015903 | 28016003 |
| 28020303 † | 1-3/8" 21-SPLINE | 1-3/8" 21-SPLINE | 860/1328 | 28015103 | 28015203 | 28015303 | 28015403 | 28015503 | 28015603 |
| 829445 † | 1-3/8" 6-SPLINE | 1-3/8" 6-SPLINE | 810/1219 | 284041 | 289045 | 289041 | 28016703 | 28016803 | 289050 |
| 829446 | 1-3/8" 6-SPLINE | 1-3/8" 6-SPLINE | 810/1230 | 289040 | 284041 | 289040 | 28016203 | 28016303 | 289049 |
| 829480 | 1-3/8" 21-SPLINE | 1-3/8" 21-SPLINE | 1210/1912 | 28005200 | 289042 | 28005800 | 28006700 | 28007300 | 28008100 |
| 829482 * | 1-3/8" 6-SPLINE | Ø25 CONE 3 | 610/912 | 28005400 | 289042 | 28006000 | 28008500 | 28007500 | 28008600 |
| 829483 * | 1-3/8" 6-SPLINE | Ø30 CONE 4 | 610/912 | 28005400 | 289042 | 28006100 | 28008500 | - | 28008600 |
| 829484 * | 1-3/8" 6-SPLINE | 1-3/8" 6-SPLINE | 610/912 | 28005400 | 289042 | 28006200 | 28008500 | - | 28008600 |
| 829486 | 1-3/8" 6-SPLINE | Ø30 CONE 4 | 860/1328 | 28005400 | 289042 | 28006100 | 28006900 | - | 28008100 |
| 829487 * | 1-3/8" 6-SPLINE | 1-3/8" 6-SPLINE | 860/1328 | 28005400 | 289042 | 28006200 | 28006900 | - | 28008100 |
| 829490 | 1-3/8" 6-SPLINE | Ø30 CONE 4 | 1210/1912 | 28005400 | 289042 | 28006100 | 28006900 | - | 28008100 |
| 829491 | 1-3/8" 6-SPLINE | Ø1" | 610/912 | 28005400 | 289042 | 28006300 | 28008500 | 28007800 | 28008600 |
| 829502 * | 1-3/8" 6-SPLINE | 1-3/8" 6-SPLINE | 1210/1912 | 28068800 | 28069700 | 28073000 | - | - | 28072800 |

* Supplier changed in 2011 - see page A0580 for "AMA" PTO's (yellow and black shields).

† Changed in 2016 from 100 series to G-Series (see page A0600).

100 SERIES



G-SERIES



A0510

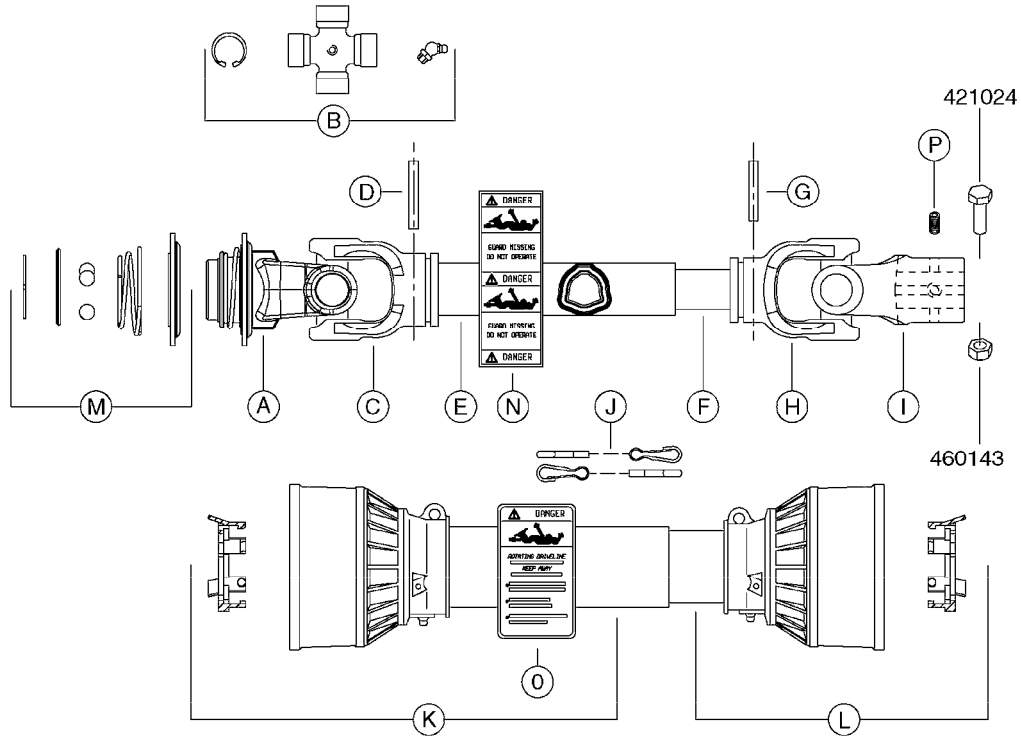


PTO SHAFTS - BONDIOLI DIAPH.
A0510-HIN, 23:10:18

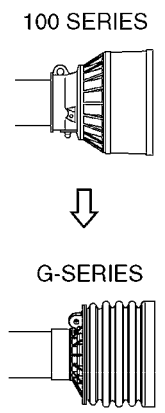
Page 1

Date 07.02.2020 10:49

| parts-n° | order qty | description |
|----------|-----------|--|
| 284041 | 1 | UNIV. JOINT 27x70mm |
| 289040 | 1 | PTO YOKE 1-3/8" X 6 SPLINE |
| 289041 | 1 | PTO YOKE 1-3/8" X 6 SPLINE |
| 289042 | 1 | UNIV. JOINT 22x54mm |
| 289045 | 1 | UNIV. JOINT 30.2x79.4mm |
| 289049 | 1 | PTO SHIELD COMPLETE F.829446 |
| 289050 | 1 | PTO SHIELD COMPLETE F.829445 |
| 829445 | 1 | PTO 1-3/8/6X1-3/8/6X810M AXIAL |
| 829446 | 1 | PTO SHAFT LE-SPV + LP ZE-P540 |
| 829480 | 1 | PTO 1-3/8/21 x 1-3/8/21x1210MM |
| 829482 | 1 | PTO 1-3/8/6X25MM X 600MM 1202 |
| 829483 | 1 | PTO 1-3/8/6X30MM x 610MM 1302 |
| 829484 | 1 | PTO 1-3/8/6X1-3/8/6X575MM 361 |
| 829486 | 1 | PTO 1-3/8/6X30MM X870MM 1302 |
| 829487 | 1 | PTO 1-3/8/6X1-3/8/6X870MM 361 |
| 829490 | 1 | PTO 1-3/8/6X30MM 1320MM 1302 |
| 829491 | 1 | PTO 1-3/8/6X1' 610/913MM 9016 |
| 829502 | 1 | PTO 1-3/8/6x1210/1745 |
| 28005200 | 1 | PTO YOKE 1-3/8" X 21 SPLINE |
| 28005400 | 1 | PTO YOKE 1-3/8" X 6 SPLINE |
| 28005800 | 1 | PTO YOKE 1-3/8" X 21 SPLINE |
| 28006000 | 1 | PTO YOKE D25 CONE 3 DEG. |
| 28006100 | 1 | PTO YOKE D30 CONE 4 DEG. |
| 28006200 | 1 | PTO YOKE 1-3/8" X 6 SPLINE |
| 28006300 | 1 | PTO YOKE D1" |
| 28006700 | 1 | PTO OUTER 1-3/8"X21(NO SHIELD) |
| 28006900 | 1 | PTO OUTER 1-3/8"X6(NO SHIELD) |
| 28007300 | 1 | PTO INNER 1-3/8"X21(NO SHIELD) |
| 28007500 | 1 | PTO HALF SHAFT - PUMP END |
| 28007800 | 1 | PTO INNER D1" (NO SHIELD) |
| 28008100 | 1 | PTO SHIELD COMPLETE |
| 28008500 | 1 | PTO HALF SHAFT - TRACTOR END |
| 28008600 | 1 | PTO SHIELD ASSY COMPLETE |
| 28009403 | 1 | UNIV. JOINT 27x74.6mm |
| 28015103 | 1 | PTO YOKE 1-3/8"X21 TWST OLD |
| 28015203 | 1 | UNIV. JOINT 23.8x61.3mm |
| 28015303 | 1 | PTO YOKE 1-3/8"X21 BALL COLLAR |
| 28015403 | 1 | PTO OUTER 1-3/8"X21(SHIELDED) |
| 28015503 | 1 | PTO INNER 1-3/8"X21(NO SHIELD) |
| 28015603 | 1 | PTO SHIELD COMPLETE F.28020303 |
| 28015703 | 1 | PTO YOKE 1-3/4"X20 SPL OUTER |
| 28015803 | 1 | PTO OUTER 1-3/4"X20(NO SHIELD) |
| 28015903 | 1 | PTO INNER 1-3/8"X21(NO SHIELD) |
| 28016003 | 1 | PTO SHIELD COMPLETE F.10465803 |
| 28016203 | 1 | PTO OUTER 1-3/8"X6(SHIELDED) |
| 28016303 | 1 | PTO INNER 1-3/8"X6(NO SHIELD) |
| 28016703 | 1 | PTO OUTER 1-3/8"X6(NO SHIELD) |
| 28016803 | 1 | PTO INNER 1-3/8"X6(NO SHIELD) |
| 28020203 | 1 | PTO 1-3/4/20x1-3/8/21 BP L=860 |
| 28020303 | 1 | PTO 1-3/8/21 x 1-3/8/21 B&P |
| 28040603 | 1 | PTO YOKE 1-3/8X21SPL BLACK |
| 28040703 | 1 | SAFETY CHAIN F.CV BLACK PTO (SET OF 2) |
| 28068800 | 1 | PTO YOKE 1-3/8" X 6 SPLINE |
| 28069700 | 1 | UNIV. JOINT STD1 SFT |
| 28072800 | 1 | PTO SHIELD COMPLETE L=1912 SFT |
| 28073000 | 1 | PTO YOKE 1-3/8" X 6 SPLINE |



**COMPLETE ASSEMBLIES
WHOLEGOOD ITEMS**



| PTO # | 28021403 * | 28021503 * | 28021603 |
|-----------|-----------------|------------------|------------------|
| TRACTOR | 1-3/8" 6 SPLINE | 1-3/8" 21 SPLINE | 1-3/4" 20 SPLINE |
| IMPLEMENT | D1" | D1" | D1" |
| LENGTH | 1031/1501 | 1031/1499 | 1066/1519 |
| A | 28056703 | 28056803 | 28056903 |
| B | 289042 | 289042 | 28040503 |
| C | 28057003 | 28057003 | 28057103 |
| D | 28057203 | 28057203 | 28009803 |
| E | 28057303 | 28057303 | 28057403 |
| F | 28057503 | 28057503 | 28057603 |
| G | 28057703 | 28057703 | 28009903 |
| H | 28058503 | 28058503 | 28010103 |
| I | 28057803 | 28057803 | 28057903 |
| J | 28040703 | 28040703 | 28040703 |
| K | 28058003 | 28058003 | 28058103 |
| L | 28058203 | 28058203 | 28058303 |
| M | 28027903 | 28027903 | 28058403 |
| N | 28041803 | 28041803 | 28041803 |
| O | 28041903 | 28041903 | 28041903 |
| P | 450015 | 450015 | 450015 |

* Changed in 2016 from 100 series to G-Series (see page A0600).

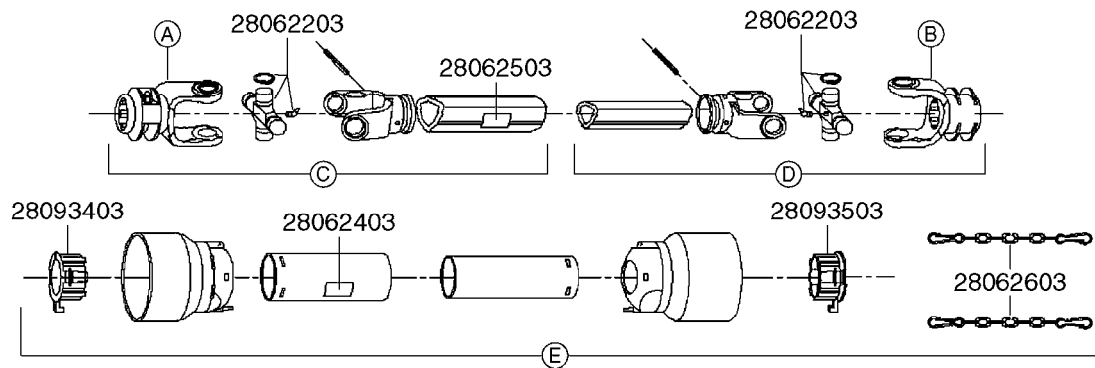
A520



PTO SHAFTS - BONDIOLI CENT.
A0520-HIN, 23:10:18

Page 1
Date 07.02.2020 10:49

| parts-n° | order qty | description |
|----------|-----------|--|
| 289042 | 1 | UNIV. JOINT 22x54mm |
| 421024 | 1 | BOLT HEX 8.8 DEL M8X60 |
| 450015 | 1 | SCREW ALLAN 3/8'X5/8' BLACK |
| 460143 | 1 | SELF LOCK NUT M8 SST A2 DIN985 |
| 28009803 | 1 | PTO PIN TUBE RETAINER OUTER |
| 28009903 | 1 | PTO TUBE RETAINER INNER |
| 28010103 | 1 | PTO YOKE F.INNER TUBE CV PTO |
| 28021403 | 1 | PTO 1"STR/1-3/8" 6SPL B&P |
| 28021503 | 1 | PTO 1"STR/1-3/8" 21SPL B&P |
| 28021603 | 1 | PTO 1"STR/1-3/4" 20SPL B&P |
| 28027903 | 1 | PTO BALL LOCK.KIT F.1-3/8 YOKE |
| 28040503 | 1 | UNIV. JOINT 27x74.6mm |
| 28040703 | 1 | SAFETY CHAIN F.CV BLACK PTO (SET OF 2) |
| 28041803 | 1 | DECAL DANGER GUARD MISSING |
| 28041903 | 1 | DECAL DANGER ROT.DRIVELINE |
| 28056703 | 1 | PTO YOKE #1 1-3/8" X 6 SPLINE |
| 28056803 | 1 | PTO YOKE #1 1-3/8" X 21 SPLINE |
| 28056903 | 1 | PTO YOKE #4 1-3/4" X 20 SPLINE |
| 28057003 | 1 | PTO TUBE YOKE #1-G1 OUTER |
| 28057103 | 1 | PTO TUBE YOKE #4-G4 OUTER |
| 28057203 | 1 | PTO PIN TUBE RETAINER OUTER |
| 28057303 | 1 | PTO TUBE OUTER #1 745MM |
| 28057403 | 1 | PTO TUBE OUTER #4 720MM |
| 28057503 | 1 | PTO TUBE INNER #1 745MM |
| 28057603 | 1 | PTO TUBE INNER #4 720MM |
| 28057703 | 1 | PTO TUBE RETAINER INNER |
| 28057803 | 1 | PTO TUBE YOKE #1 Ø=1" |
| 28057903 | 1 | PTO TUBE YOKE #4 Ø=1" |
| 28058003 | 1 | PTO HALF SAFETY SHIELD OUTER |
| 28058103 | 1 | PTO HALF SAFETY SHIELD OUTER |
| 28058203 | 1 | PTO HALF SAFETY SHIELD INNER |
| 28058303 | 1 | PTO HALF SAFETY SHIELD INNER |
| 28058403 | 1 | PTO BALL LOCK.KIT F.1-3/4 YOKE |
| 28058503 | 1 | PTO TUBE YOKE #1-G1 INNER |



| PTO # | 829482 | 829483 | 829484 | 829487 |
|-----------|-----------------|-----------------|-----------------|-----------------|
| TRACTOR | 1-3/8" 6 SPLINE | 1-3/8" 6 SPLINE | 1-3/8" 6 SPLINE | 1-3/8" 6 SPLINE |
| IMPLEMENT | 25 mm | 30 mm | 1-3/8" 6 SPLINE | 1-3/8" 6 SPLINE |
| LENGTH | 610/800 | 610/800 | 610/800 | 860/1050 |
| A | 28062103 | 28062103 | 28062103 | 28062103 |
| B | 28062303 | 28063003 | 28062103 | 28062103 |
| C | 28062703 | 28062703 | 28062703 | 28063403 |
| D | 28062803 | 28063103 | 28063203 | 28063503 |
| E | 28062903 | 28062903 | 28062903 | 28063303 |

Note: For "Bondioli" PTO's (previous supplier) - see page A0510.

COMPLETE ASSEMBLIES
WHOLEGOOD ITEMS

A0580

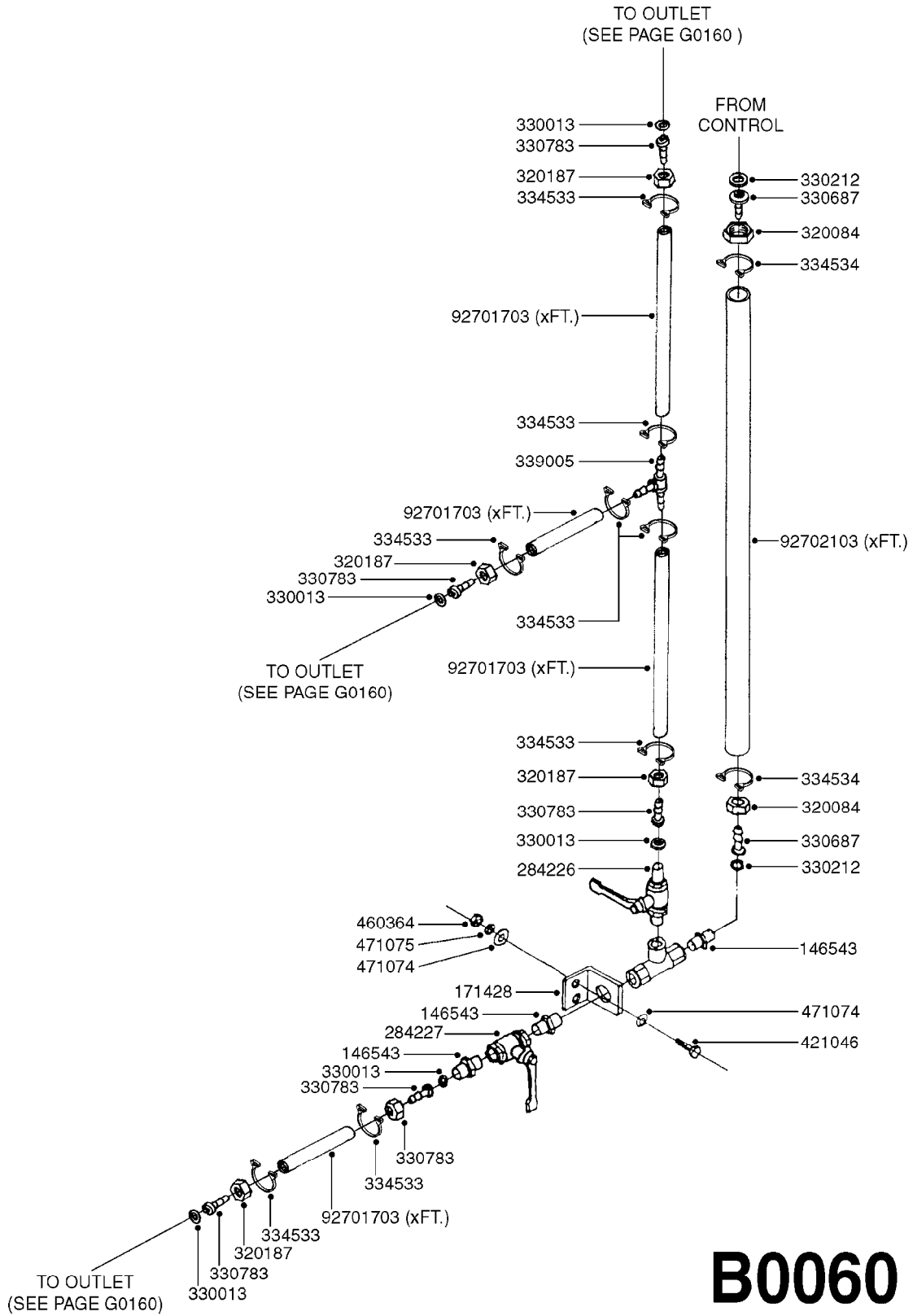


PTO SHAFTS - AMA DIAPHRAGM
A0580-HIN, 01:01:16

Page 1

Date 07.02.2020 10:49

| parts-n° | order qty | description |
|----------|-----------|-------------------------------|
| 829482 | 1 | PTO 1-3/8/6X25MM X 600MM 1202 |
| 829483 | 1 | PTO 1-3/8/6X30MM x 610MM 1302 |
| 829484 | 1 | PTO 1-3/8/6X1-3/8/6X575MM 361 |
| 829487 | 1 | PTO 1-3/8/6X1-3/8/6X870MM 361 |
| 28062103 | 1 | PTO YOKE 1-3/8X6 AMA |
| 28062203 | 1 | UNIV.JOINT CAT.1 AMA |
| 28062303 | 1 | PTO YOKE D25 AMA |
| 28062403 | 1 | DECAL - DANGER ROTATING SHAFT |
| 28062503 | 1 | DECAL - DANGER MISSING GUARD |
| 28062603 | 1 | SAFETY CHAIN F.PTO AMA |
| 28062703 | 1 | PTO OUTER 1-3/8X6 (NO SHIELD) |
| 28062803 | 1 | PTO INNER D25 (NO SHIELD) |
| 28062903 | 1 | PTO SHIELD COMPLETE |
| 28063003 | 1 | PTO YOKE D30 AMA |
| 28063103 | 1 | PTO INNER D30 (NO SHIELD) |
| 28063203 | 1 | PTO INNER 1-3/8X6 (NO SHIELD) |
| 28063303 | 1 | PTO SHIELD COMPLETE |
| 28063403 | 1 | PTO OUTER 1-3/8X6 (NO SHIELD) |
| 28063503 | 1 | PTO INNER 1-3/8X6 (NO SHIELD) |
| 28093403 | 1 | PTO OUTER TUBE BEARING AMA |
| 28093503 | 1 | PTO INNER TUBE BEARING AMA |





LP - DISTRIBUTION VALVES
B0060-HIN, 01:01:16

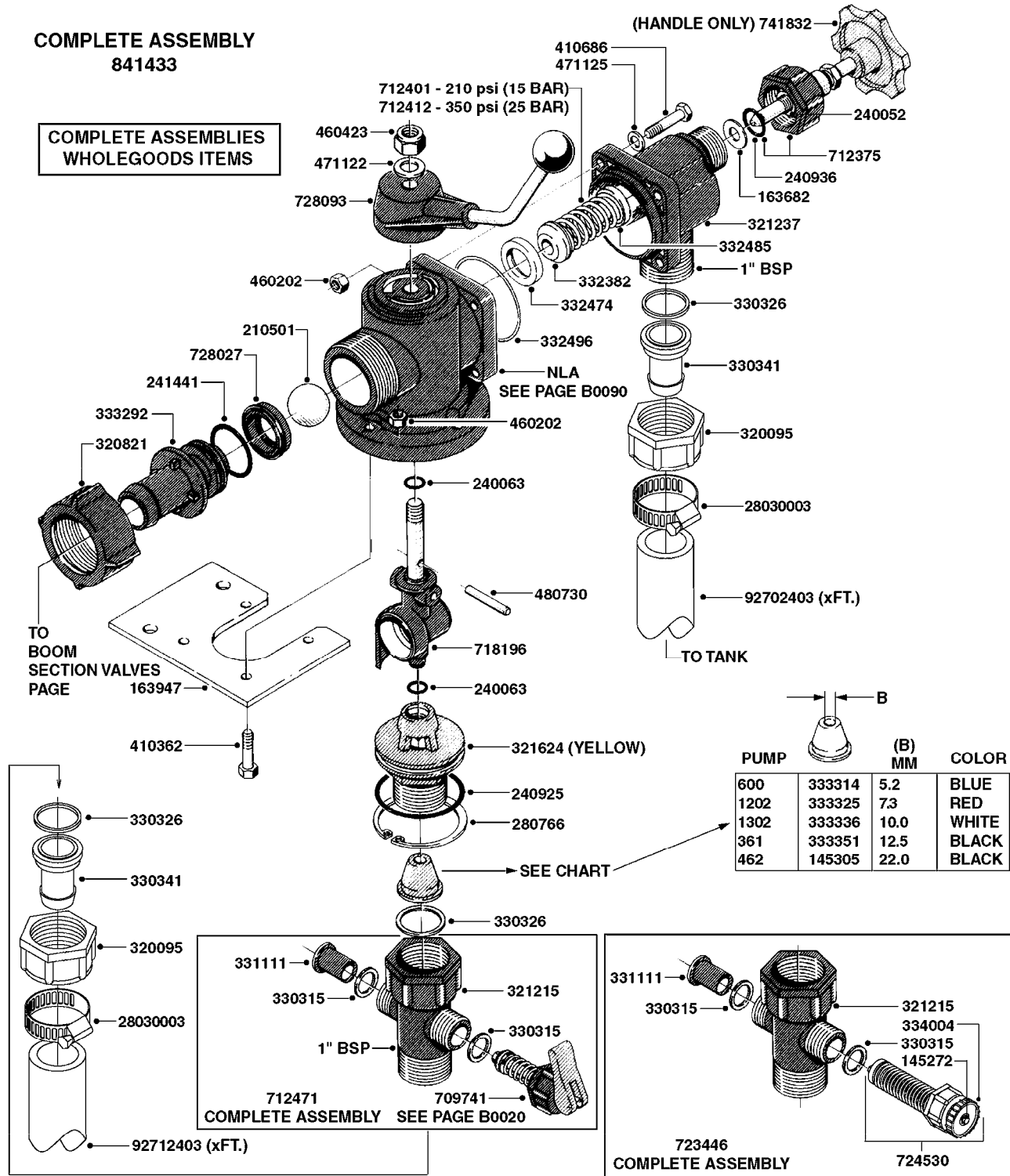
Page 1
Date 07.02.2020 10:50

| parts-n° | order qty | description |
|----------|-----------|--------------------------------|
| 146543 | 1 | HEXAGON NIPPLE 1/2" |
| 171428 | 1 | BRACKET FOR FILTER |
| 284226 | 1 | BALL VALVE 1/2"MALE THREADS |
| 284227 | 1 | BALL VALVE 1/2"FEMALE THREADS |
| 320084 | 1 | FITT.DK NUT 1/2" BSP |
| 320187 | 1 | FITT.DK CAP 3/8" BSP BLACK |
| 330013 | 1 | O-RING 2.5 X 10 PUR |
| 330212 | 1 | O-RING D19/D14X2.4 F.1/2"NUT |
| 330687 | 1 | FITT.DK HB 1/2" F. 1/2" NUT |
| 330783 | 1 | FITT.DK HB 3/8"F.3/8" NUT |
| 334533 | 1 | CLAMP HOSE PLASTIC 3/8" |
| 334534 | 1 | CLAMP HOSE PLASTIC 1/2" |
| 339005 | 1 | FITT.DK TEE 3/8"X3/8"X3/8" |
| 421046 | 1 | BOLT HEX M8X25/25 A2 SS DIN933 |
| 460364 | 1 | NUT HU M8 A2 SS DIN934 |
| 471074 | 1 | WASHER M8 ELZ |
| 471075 | 1 | WASHER M8 LOCK |
| 92701703 | 1 | HOSE R X3/8" X300PSI WP X0012" |
| 92702103 | 1 | HOSE R X1/2" X300PSI WP X0012" |



COMPLETE ASSEMBLY
841433

COMPLETE ASSEMBLIES
WHOLEGOODS ITEMS



B0080

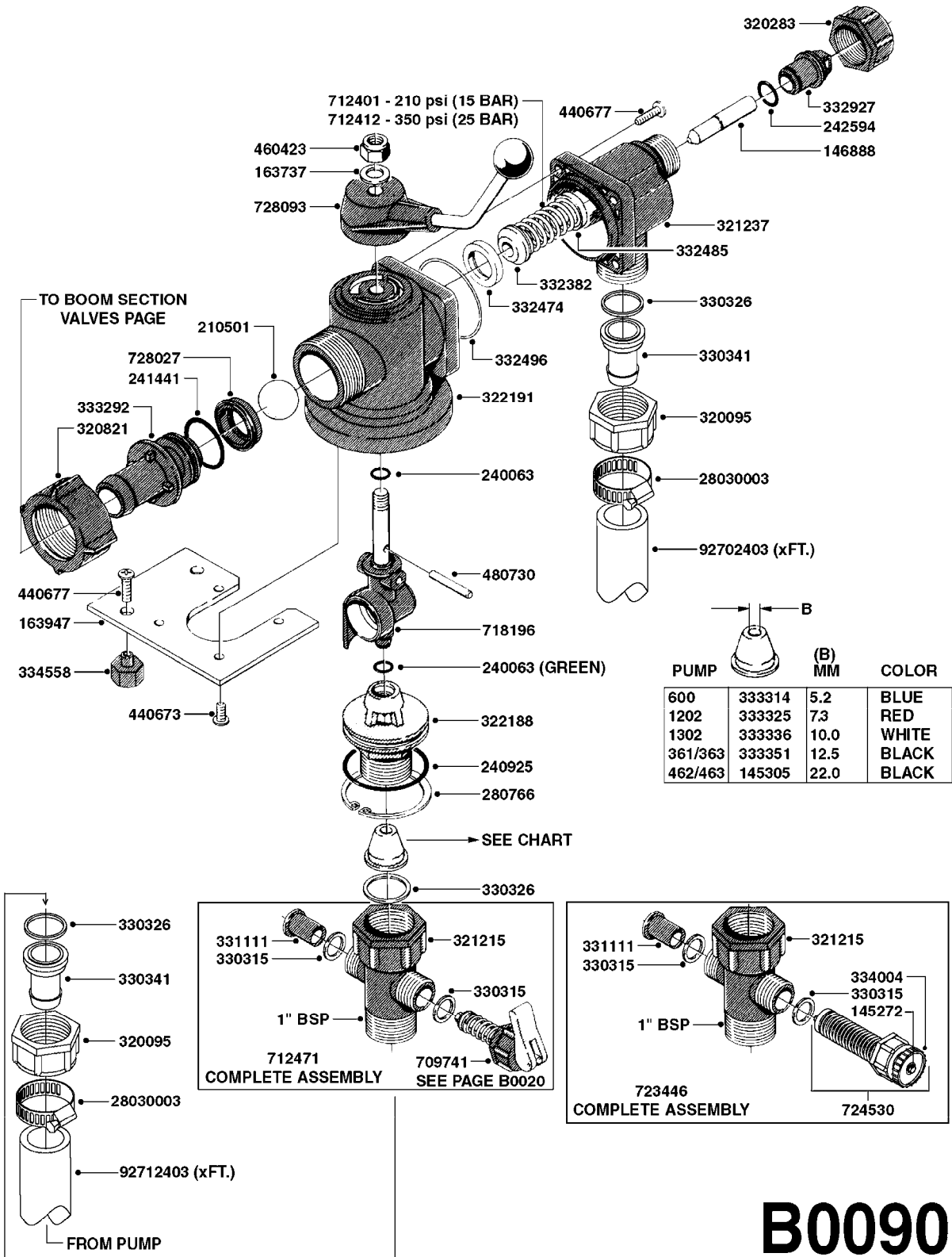


BK-180 MASTER VALVE - MANUAL
B0080-HIN, 30:08:16

Page 1

Date 07.02.2020 10:50

| parts-n° | order qty | description |
|----------|-----------|-----------------------------------|
| 145272 | 1 | INSERT F.AGIT.THUMBWHEEL BRASS |
| 145305 | 1 | NOZZLE F.OP.UNIT PUMP 462 |
| 163682 | 1 | WASHER D16X9,5 X 1 |
| 163947 | 1 | FITTING FOR BK 180 |
| 210501 | 1 | BALL PLASTIC D25 |
| 240052 | 1 | BUSHING/PKNG D11,2/8,4 X 6 |
| 240063 | 1 | O-RING D14.1/9.3 X 2.4 |
| 240925 | 1 | O-RING D49.5X3 NITRIL |
| 240936 | 1 | O-RING D13.3X2.4 NITRIL |
| 241441 | 1 | O-RING D29.3X3 |
| 280766 | 1 | SNAP-RING INNER 55X2 DIN 472 |
| 320095 | 1 | FITT.DK NUT 1" BSP |
| 320821 | 1 | FITT.DK NUT 1-1/2" BSP |
| 321215 | 1 | FITT.DK HOUSING F. AGITATION |
| 321237 | 1 | PRESSURE REGULATOR HOUSE BK180 |
| 321624 | 1 | BOTTOM PIECE F.BALL OPER.UNIT |
| 330315 | 1 | O-RING D18.4/D13X.6 |
| 330326 | 1 | O-RING D30/D24X2 F.1"NUT |
| 330341 | 1 | FITT.DK HB 1" F. 1" NUT |
| 331111 | 1 | VALVE SEAT FOR 1/2" DISTRIBUT. |
| 332382 | 1 | VALVE CONE D25,7 |
| 332474 | 1 | SEAT FOR OPERATING UNIT BALL |
| 332485 | 1 | SPRING GUIDE |
| 332496 | 1 | O-RING D58/54X2 |
| 333292 | 1 | FITT.DK HB 1"O'RING F.1-1/2" |
| 333314 | 1 | NOZZ.RESTRICTOR 600 BLUE |
| 333325 | 1 | NOZZ.RESTRICTOR 1202 RED |
| 333336 | 1 | NOZZ.RESTRICTOR 1302 WHITE |
| 333351 | 1 | NOZZ.RESTRICTOR 361 BLACK |
| 334004 | 1 | WHEEL F.AGITATION W/O INSERT |
| 410362 | 1 | BOLT HEX 8.8 SS M6X20 |
| 410686 | 1 | BOLT HEX 8.8 DEL M6X30 |
| 460202 | 1 | NUT HEX M6 |
| 460423 | 1 | NUT HEX M10X1.50 LOCK DIN985A2 SS |
| 471122 | 1 | WASHER, M10, Ø20/10.5X 2.0, SS |
| 471125 | 1 | WASHER M6U 6.4X14X1.2,A2 SS |
| 480730 | 1 | PIN ROLL 5X30 STAINLESS STEEL |
| 709741 | 1 | VALVE ASSY. 1/2" FLIP LEVER |
| 712375 | 1 | PRESSURE REGULATOR COMPL. |
| 712401 | 1 | RELIEF VALVE ASSY. 12BAR |
| 712412 | 1 | RELIEF VALVE ASSY. 25BAR |
| 712471 | 1 | AGITATION VALVE ASSY. ON/OFF |
| 718196 | 1 | BALL VALVE HOUSING ASSEMBLY |
| 723446 | 1 | AGITATION VALVE ASSY. ADJUST. |
| 724530 | 1 | THUMB WHEEL FOR AGITATION |
| 728027 | 1 | BUSHING WITH SEAT |
| 728093 | 1 | HANDLE WITH BALL |
| 741832 | 1 | HANDLE REPLACEMENT F/330632 |
| 841433 | 1 | BK 180 ARMATURE (1301) |
| 28030003 | 1 | CLAMP HOSE GEAR P1" 6716 |
| 92702403 | 1 | HOSE PVC SUCT GRAY 1" |
| 92712403 | 1 | HOSE R X1" X300PSI WP X0012" |



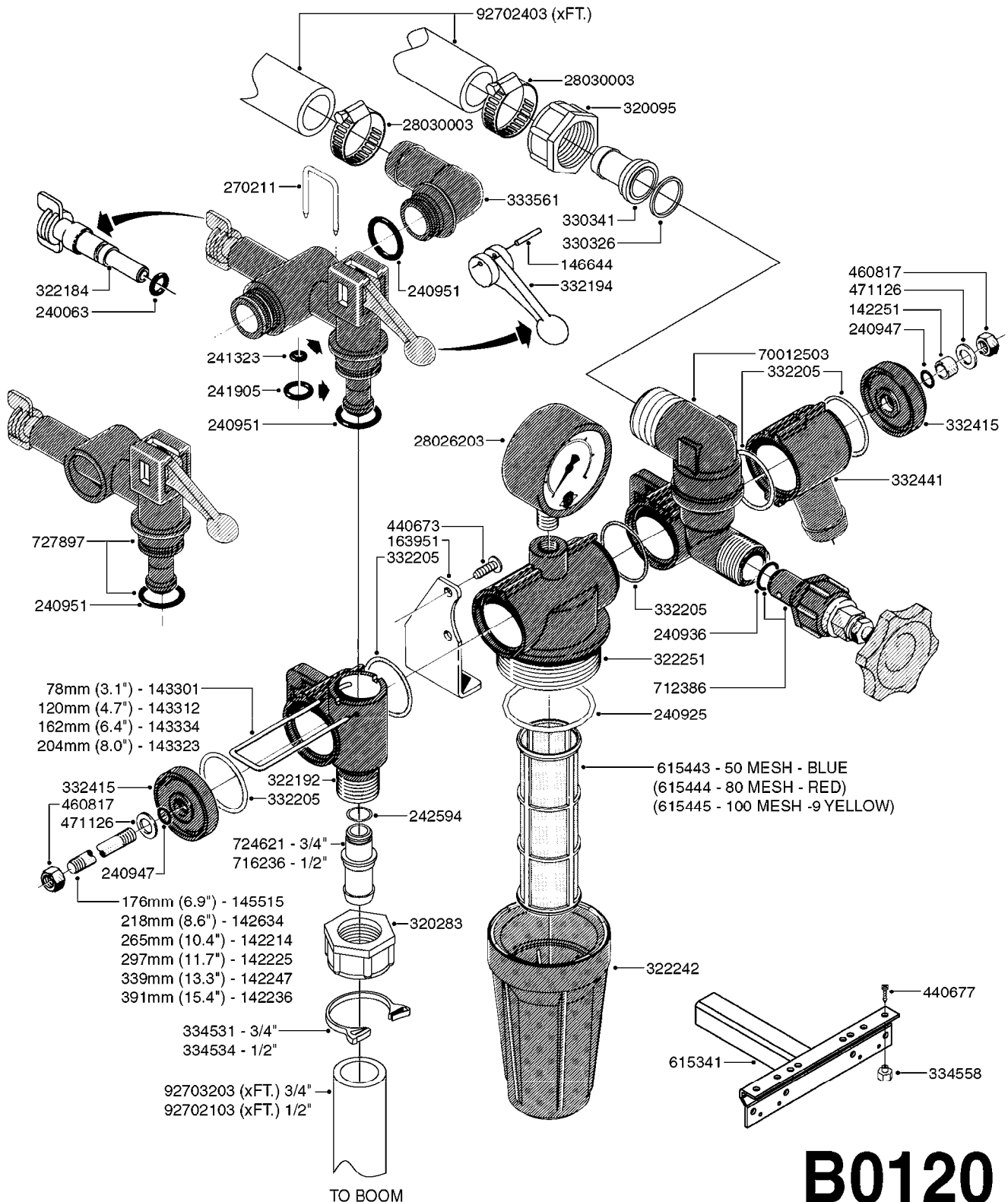
B0090



BK-180 MASTER VALVE-MAN.POST94
B0090-HIN, 30:08:16

Page 1
Date 07.02.2020 10:50

| parts-n° | order qty | description |
|----------|-----------|-----------------------------------|
| 145272 | 1 | INSERT F.AGIT.THUMBWHEEL BRASS |
| 145305 | 1 | NOZZLE F.OP.UNIT PUMP 462 |
| 146888 | 1 | PIN 10 X 57MM STAINLESS |
| 163737 | 1 | WASHER D15.5/D10.5X1 |
| 163947 | 1 | FITTING FOR BK 180 |
| 210501 | 1 | BALL PLASTIC D25 |
| 240063 | 1 | O-RING D14.1/9.3 X 2.4 |
| 240925 | 1 | O-RING D49.5X3 NITRIL |
| 241441 | 1 | O-RING D29.3X3 |
| 242594 | 1 | O-RING D14 X 1.78 SCH.70-EPDM |
| 280766 | 1 | SNAP-RING INNER 55X2 DIN 472 |
| 320095 | 1 | FITT.DK NUT 1" BSP |
| 320283 | 1 | FITT.DK NUT 3/4"BSP |
| 320821 | 1 | FITT.DK NUT 1-1/2" BSP |
| 321215 | 1 | FITT.DK HOUSING F. AGITATION |
| 321237 | 1 | PRESSURE REGULATOR HOUSE BK180 |
| 322188 | 1 | BOTTOM PIECE F.BALL EC |
| 322191 | 1 | HOUSING F.BALL (OPERATING UNIT) |
| 330315 | 1 | O-RING D18.4/D13X.6 |
| 330326 | 1 | O-RING D30/D24X2 F.1"NUT |
| 330341 | 1 | FITT.DK HB 1" F. 1" NUT |
| 331111 | 1 | VALVE SEAT FOR 1/2" DISTRIBUT. |
| 332382 | 1 | VALVE CONE D25,7 |
| 332474 | 1 | SEAT FOR OPERATING UNIT BALL |
| 332485 | 1 | SPRING GUIDE |
| 332496 | 1 | O-RING D58/54X2 |
| 332927 | 1 | FITT.DK PLUG F. NOZZLE TUBE |
| 333292 | 1 | FITT.DK HB 1"O'RING F.1-1/2" |
| 333314 | 1 | NOZZ.RESTRICTOR 600 BLUE |
| 333325 | 1 | NOZZ.RESTRICTOR 1202 RED |
| 333336 | 1 | NOZZ.RESTRICTOR 1302 WHITE |
| 333351 | 1 | NOZZ.RESTRICTOR 361 BLACK |
| 334004 | 1 | WHEEL F.AGITATION W/O INSERT |
| 334558 | 1 | NUT HEX PLASTIC INSERT |
| 440673 | 1 | SCREW F.PLASTIC 5X12 SS |
| 440677 | 1 | SCREW F. PLASTIC 5X20 SS |
| 460423 | 1 | NUT HEX M10X1.50 LOCK DIN985A2 SS |
| 480730 | 1 | PIN ROLL 5X30 STAINLESS STEEL |
| 709741 | 1 | VALVE ASSY. 1/2" FLIP LEVER |
| 712401 | 1 | RELIEF VALVE ASSY. 12BAR |
| 712412 | 1 | RELIEF VALVE ASSY. 25BAR |
| 712471 | 1 | AGITATION VALVE ASSY. ON/OFF |
| 718196 | 1 | BALL VALVE HOUSING ASSEMBLY |
| 723446 | 1 | AGITATION VALVE ASSY. ADJUST. |
| 724530 | 1 | THUMB WHEEL FOR AGITATION |
| 728027 | 1 | BUSHING WITH SEAT |
| 728093 | 1 | HANDLE WITH BALL |
| 28030003 | 1 | CLAMP HOSE GEAR P1" 6716 |
| 92702403 | 1 | HOSE PVC SUCT GRAY 1" |
| 92712403 | 1 | HOSE R X1" X300PSI WP X0012" |



B0120

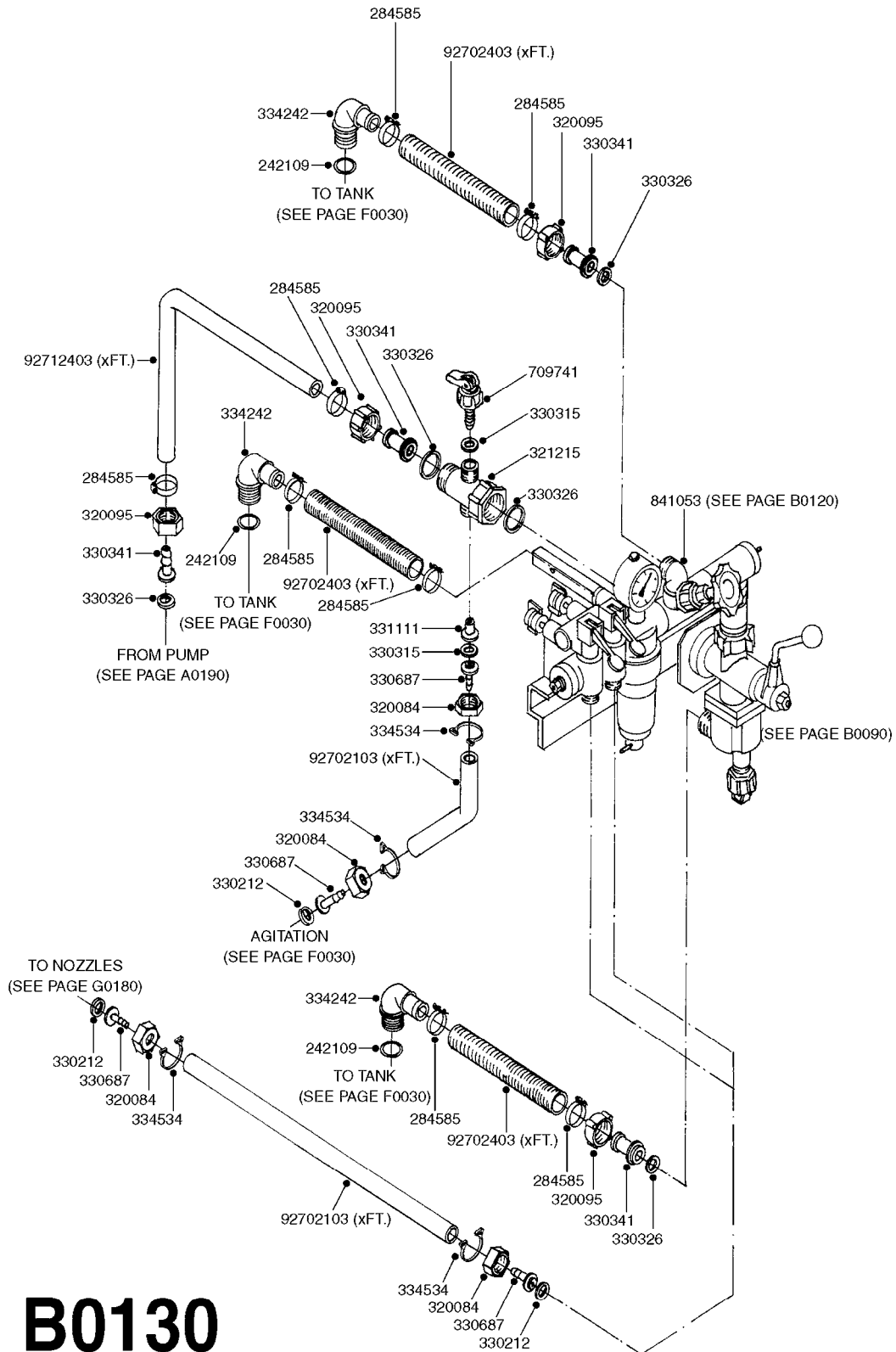


BK-180 VALVES F.LE/LE-SPV/LP
B0120-HIN, 01:01:16

Page 1

Date 07.02.2020 10:50

| parts-n° | order qty | description |
|----------|-----------|--------------------------------|
| 142214 | 1 | STUD BOLT - M8X265, 3 SECTION |
| 142225 | 1 | STUD BOLT 8 X 299 - 6 MODULS |
| 142236 | 1 | STUD BOLT 8 X 381 - 8 MODULS |
| 142247 | 1 | STUD BOLT 8 X 341 - 7 MODULS |
| 142251 | 1 | BUSHING FOR LID |
| 142634 | 1 | STUD BOLT M8 X 213 - 4 MODULS |
| 143301 | 1 | LOCK CLAMP 78 MM |
| 143312 | 1 | LOCK CLAMP 120 MM |
| 143323 | 1 | LOCK CLAMP 204 MM |
| 143334 | 1 | LOCK CLAMP 162 MM |
| 145515 | 1 | STUD BOLT M8 X 176MM |
| 146644 | 1 | PIN D3X19 STAINLESS |
| 163951 | 1 | MOUNT BRACKET FOR BK180 SECTIO |
| 240063 | 1 | O-RING D14.1/9.3 X 2.4 |
| 240925 | 1 | O-RING D49.5X3 NITRIL |
| 240936 | 1 | O-RING D13.3X2.4 NITRIL |
| 240947 | 1 | O-RING D7.3X2.4 NITRIL |
| 240951 | 1 | O-RING D21.2X3 NITRIL |
| 241323 | 1 | O-RING D5.3X2.4 NITRIL |
| 241905 | 1 | O-RING 12,3X2,4 VITON DKR.1,05 |
| 242594 | 1 | O-RING D14 X 1.78 SCH.70-EPDM |
| 270211 | 1 | FITT.DK S25 FORK L=37.5 |
| 320095 | 1 | FITT.DK NUT 1" BSP |
| 320283 | 1 | FITT.DK NUT 3/4"BSP |
| 322184 | 1 | SCREW F.ADJUSTING CONST.PRESS. |
| 322192 | 1 | HOUSING F.DISTRIBUTOR |
| 322242 | 1 | FILTER BOWL / IN-LINE |
| 322251 | 1 | HOUSING F.FILTER MOUNT BK/EC |
| 330326 | 1 | O-RING D30/D24X2 F.1"NUT |
| 330341 | 1 | FITT.DK HB 1" F. 1" NUT |
| 332194 | 1 | DISTRIBUTION HANDLE |
| 332205 | 1 | O-RING D43/39XD2 |
| 332415 | 1 | COVER |
| 332441 | 1 | FITT.DK ELB 1" F.EC VALVE |
| 333561 | 1 | FITT.DK ELB.1" EC RETURN |
| 334531 | 1 | CLAMP HOSE PLASTIC 3/4" |
| 334534 | 1 | CLAMP HOSE PLASTIC 1/2" |
| 334558 | 1 | NUT HEX PLASTIC INSERT |
| 440673 | 1 | SCREW F.PLASTIC 5X12 SS |
| 440677 | 1 | SCREW F. PLASTIC 5X20 SS |
| 460817 | 1 | NUT HEX M8 STAINLESS DIN 934 |
| 471126 | 1 | WASHER, M8, Ø16/ 8.4X 1.6, SS |
| 615341 | 1 | BRACKET F.BK 2,3&4 BANK VALVES |
| 615443 | 1 | FILTER ELEM.50 MESH BLUE |
| 615444 | 1 | FILTER ELEM.80 MESH RED |
| 615445 | 1 | FILTER ELEM.100 MESH YELLOW |
| 712386 | 1 | PRESSURE REGULATOR COMPL. H-M |
| 716236 | 1 | FITT.DK HB 1/2" ASSY. F. 3/4" |
| 724621 | 1 | FITT.DK HB 3/4"ASSY F.3/4" NUT |
| 727897 | 1 | HOUSING UPPER PART END PC.BK92 |
| 28026203 | 1 | GAUGE 200PSI/BR,2.5"1/4BSP-BTM |
| 28030003 | 1 | CLAMP HOSE GEAR P1" 6716 |
| 70012503 | 1 | HOUSING FOR HARDI-MATIC VALVE |
| 92702103 | 1 | HOSE R X1/2" X300PSI WP X0012" |
| 92702403 | 1 | HOSE PVC SUCT GRAY 1" |
| 92703203 | 1 | HOSE R X3/4" X300PSI WP X0012" |



B0130

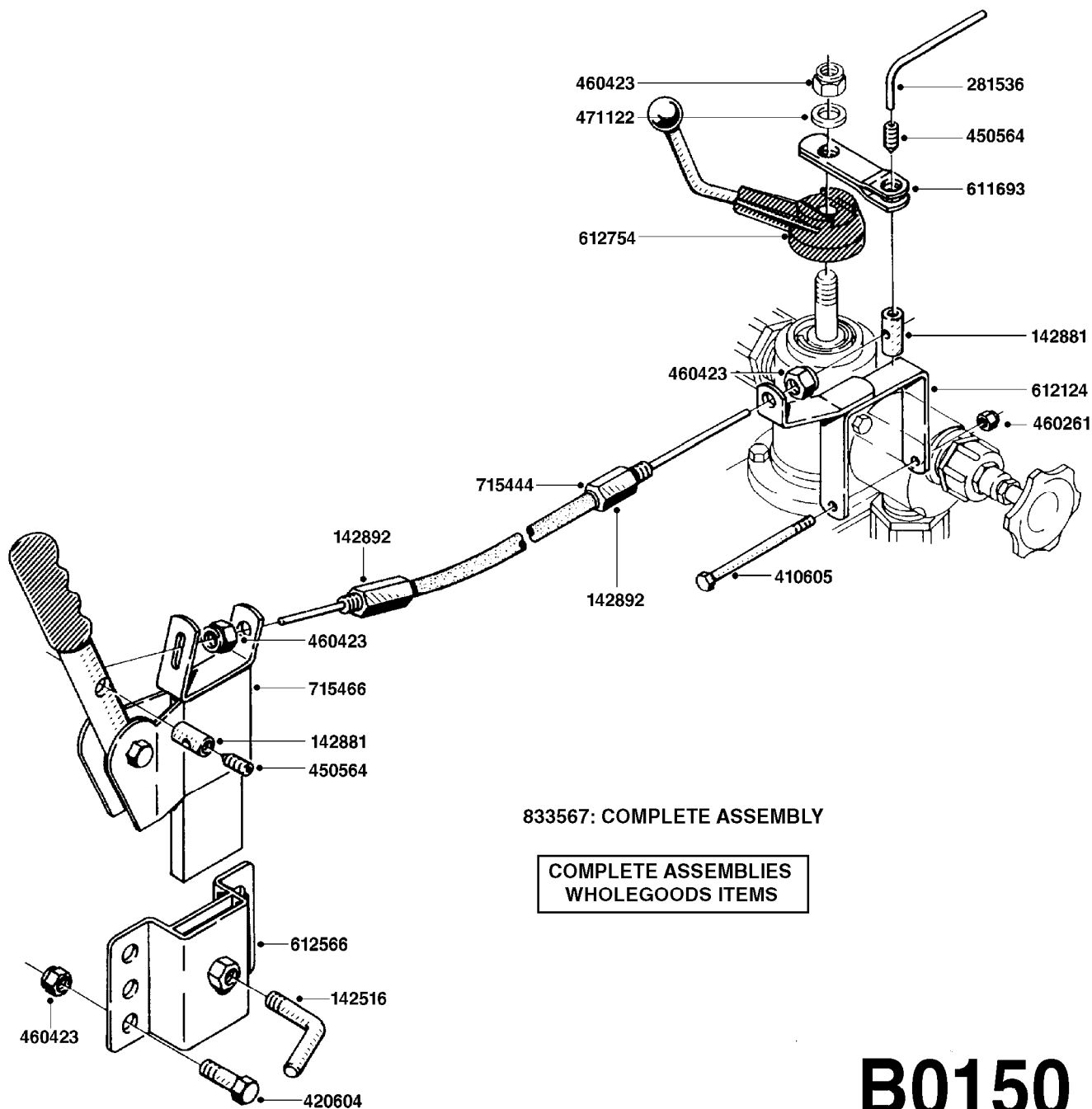


LE/LE-SPV/LP - PLUMBING BK-180
B0130-HIN, 01:01:16

Page 1

Date 07.02.2020 10:50

| parts-n° | order qty | description |
|----------|-----------|--------------------------------|
| 242109 | 1 | O-RING D32.2x3.0 |
| 284585 | 1 | CLAMP HOSE GEAR 1" MINI 020 |
| 320084 | 1 | FITT.DK NUT 1/2" BSP |
| 320095 | 1 | FITT.DK NUT 1" BSP |
| 321215 | 1 | FITT.DK HOUSING F. AGITATION |
| 330212 | 1 | O-RING D19/D14X2.4 F.1/2"NUT |
| 330315 | 1 | O-RING D18.4/D13X.6 |
| 330326 | 1 | O-RING D30/D24X2 F.1"NUT |
| 330341 | 1 | FITT.DK HB 1" F. 1" NUT |
| 330687 | 1 | FITT.DK HB 1/2" F. 1/2" NUT |
| 331111 | 1 | VALVE SEAT FOR 1/2" DISTRIBUT. |
| 334242 | 1 | FITT.DK S-53 ELB.1" |
| 334534 | 1 | CLAMP HOSE PLASTIC 1/2" |
| 709741 | 1 | VALVE ASSY. 1/2" FLIP LEVER |
| 841053 | 1 | OP.UNIT BK180/2 DIST.VALVES |
| 92702103 | 1 | HOSE R X1/2" X300PSI WP X0012" |
| 92702403 | 1 | HOSE PVC SUCT GRAY 1" |
| 92712403 | 1 | HOSE R X1" X300PSI WP X0012" |



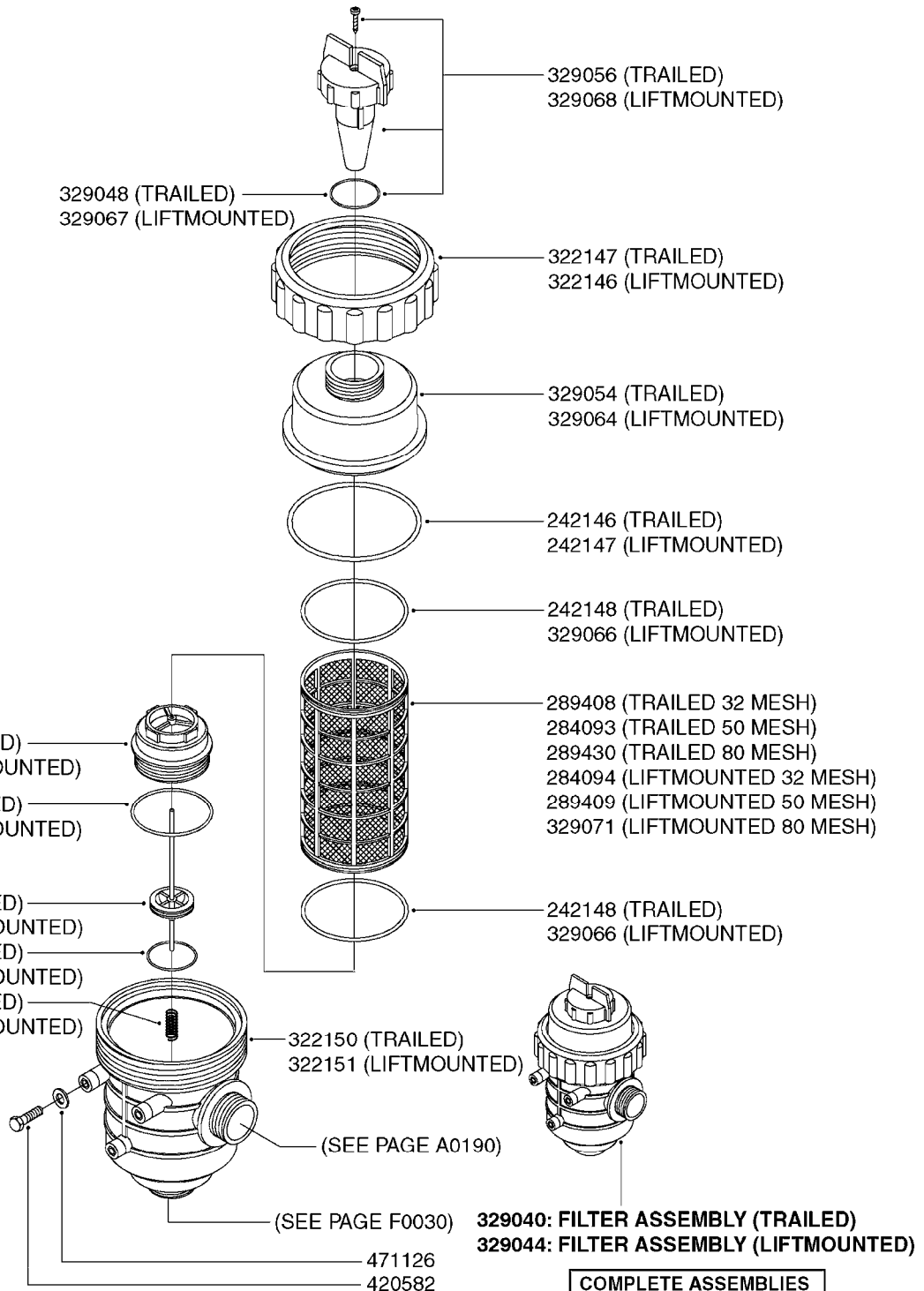


BK-180 REMOTE CONTROL CABLE
B0150-HIN, 01:01:16

Page 1

Date 07.02.2020 10:50

| parts-n° | order qty | description |
|----------|-----------|-----------------------------------|
| 142516 | 1 | SCREW SET M10 BENT F. LOCKING |
| 142881 | 1 | WIRE HOLDER FOR REMOTE CONTROL |
| 142892 | 1 | END NIPPLE F.REMOTE CABLE |
| 281536 | 1 | ALLEN WRENCH 3MM |
| 410605 | 1 | BOLT HEX 8.8 DEL M6X80 |
| 420604 | 1 | BOLT HEX 8.8 DEL M10X25 FT DIN933 |
| 450564 | 1 | SCREW M6X12 ALLEN |
| 460261 | 1 | NUT HEX M6X1.00 LOCK DIN985 A2 SS |
| 460423 | 1 | NUT HEX M10X1.50 LOCK DIN985A2 SS |
| 471122 | 1 | WASHER, M10, Ø20/10.5X 2.0, SS |
| 611693 | 1 | ARM FOR REMOTE CONTROL BK180 |
| 612124 | 1 | BRACKET FOR OP.UNIT F REM.CTR |
| 612566 | 1 | MOUNT BRACKET F.FAN CABLE ASSY |
| 612754 | 1 | HANDLE FOR REMOTE CONTROL |
| 715444 | 1 | REMOTE CONTROL CABLE L=2000 |
| 715466 | 1 | MOUNTING PLATE |
| 833567 | 1 | REMOTE CONTROL ON/OFF BK 180 |



B0710



SUCTION FILT.-VINEYARD&ORCHARD
B0710-HIN, 01:01:16

Page

1

Date

07.02.2020 10:50

| parts-n° | order qty | description |
|----------|-----------|---------------------------------|
| 242146 | 1 | O-RING 140 X 126 X 7 |
| 242147 | 1 | O-RING 105,6x95X5.3 |
| 242148 | 1 | O-RING 109.2 X 104 X 2 |
| 284093 | 1 | FILTER SCR N ARAG 50 MESH BLUE |
| 284094 | 1 | FILTER SCR N ARAG 32 MESH WHITE |
| 289408 | 1 | FILTER SCR N ARAG 32 MESH WHITE |
| 289409 | 1 | FILTER SCR N ARAG 50 MESH BLUE |
| 289430 | 1 | FILTER SCR N ARAG 80 MESH RED |
| 322146 | 1 | THREADED RING F/FILTER 170 |
| 322147 | 1 | THREADED RING F/FILTER 200 |
| 322150 | 1 | FILTER CASING 1.5"BSP ARAG |
| 322151 | 1 | FILTER HOUSING 170 |
| 329040 | 1 | FILTER ARAG 1.5" 32 MESH TRAIL |
| 329044 | 1 | FILTER ARAG 1.5" 32 MESH LIFT |
| 329047 | 1 | SPRING F. ARAG FILTER 1-1/2" |
| 329048 | 1 | O-RING F. 1-1/2" FILTER |
| 329049 | 1 | PLUNGER F. ARAG VALVE 1-1/2" |
| 329051 | 1 | O-RING F.ARAG FILTER 1-1/2" |
| 329052 | 1 | FITTING F.ARAG FILTER 1-1/2" |
| 329054 | 1 | FILTER HOUSING LID 1-1/2" |
| 329056 | 1 | YELLOW LOCKING RETAINER 1-1/2" |
| 329058 | 1 | SPRING F. ARAG FILTER 1" |
| 329059 | 1 | O-RING F. 1" FILTER |
| 329060 | 1 | PLUNGER F. ARAG VALVE 1" |
| 329061 | 1 | O-RING F.ARAG FILTER 1" |
| 329062 | 1 | FITTING F.ARAG FILTER 1" |
| 329064 | 1 | FILTER HOUSING LID 1" |
| 329066 | 1 | O-RING F.ARAG FILTER 1" |
| 329067 | 1 | O-RING F. 1" FILTER |
| 329068 | 1 | YELLOW LOCKING RETAINER 1" |
| 329071 | 1 | FILTER SCR N ARAG 80 MESH RED |
| 420582 | 1 | BOLT HEX 8.8 DEL M8X20 FT A2 |
| 471126 | 1 | WASHER, M8, Ø16/ 8.4X 1.6, SS |



TANK - LE/LE-SPV/LP 100/150
F0030-HIN, 01:01:16

Page

0

Date

07.02.2020 10:50

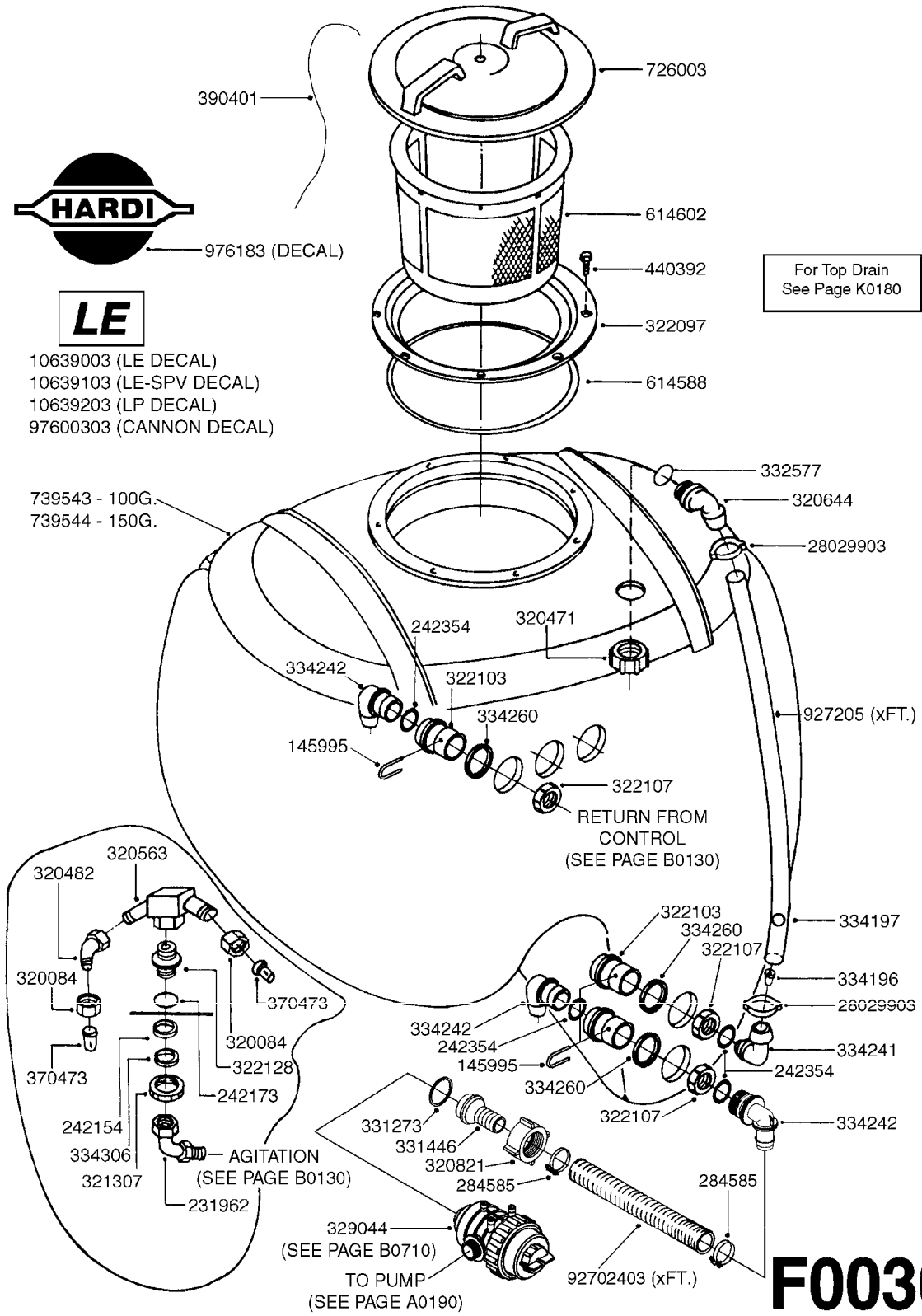


976183 (DECAL)



10639003 (LE DECAL)
10639103 (LE-SPV DECAL)
10639203 (LP DECAL)
97600303 (CANNON DECAL)

For Top Drain
See Page K0180



F0030

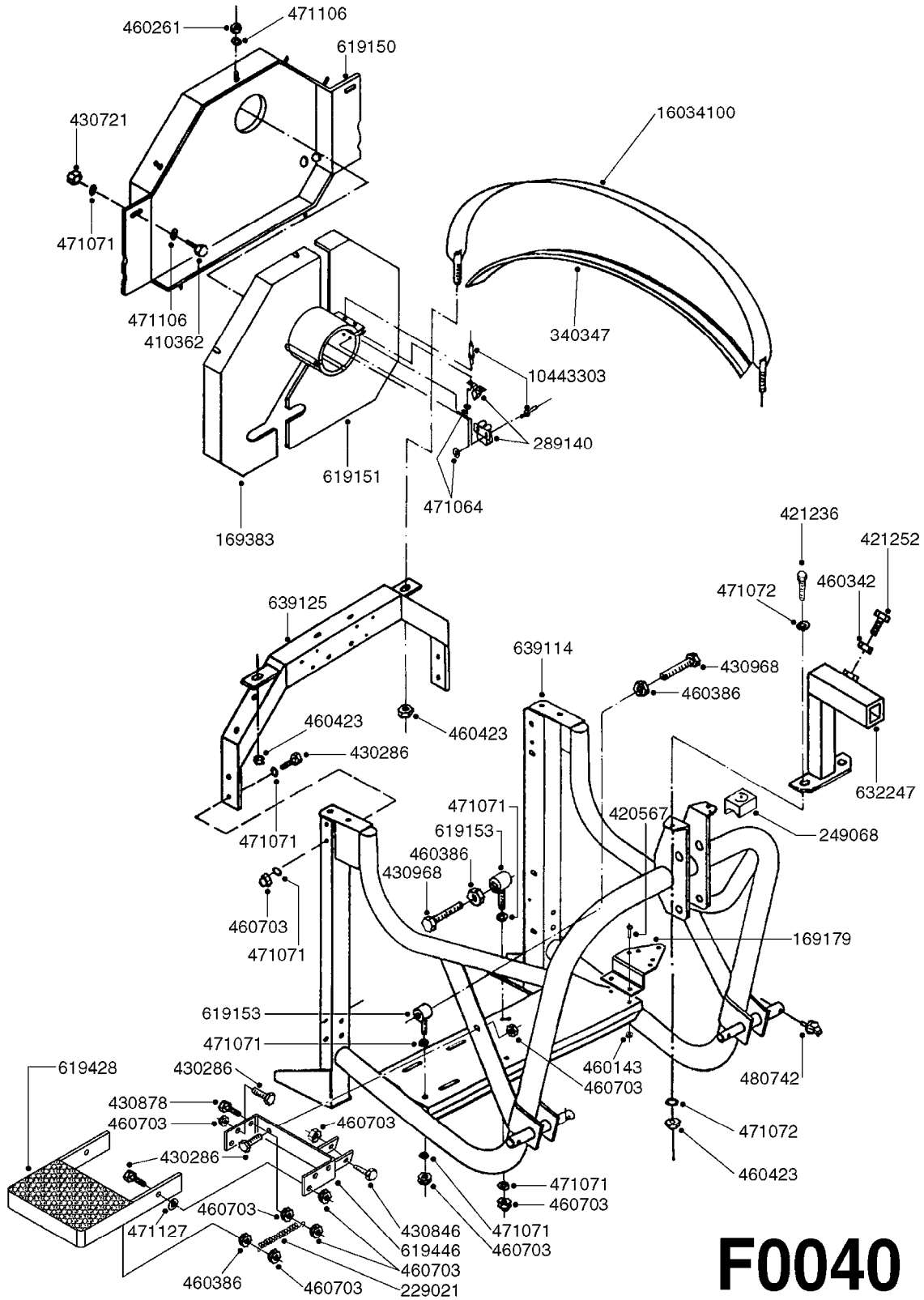


TANK - LE/LE-SPV/LP 100/150
F0030-HIN, 01:01:16

Page 1

Date 07.02.2020 10:50

| parts-n° | order qty | description |
|----------|-----------|--------------------------------|
| 145995 | 1 | FITT.DK S-53 FORK |
| 231962 | 1 | ELBOW BRASS 1/2" |
| 242154 | 1 | WASHER RUBBER 1" |
| 242173 | 1 | O-RING D24X18X3 |
| 242354 | 1 | O-RING D32.2X3.0 VITON |
| 284585 | 1 | CLAMP HOSE GEAR 1" MINI 020 |
| 320084 | 1 | FITT.DK NUT 1/2" BSP |
| 320471 | 1 | FITT.DK NUT 1" BSP JAMB |
| 320482 | 1 | FITT.DK ELB. 1/2" BSP 60 DEG. |
| 320563 | 1 | FITT.DK 3 WAY 1/2" 110 DEG. |
| 320644 | 1 | FITT.DK ELB.3/4"HB X 1" BSP |
| 320821 | 1 | FITT.DK NUT 1-1/2" BSP |
| 321307 | 1 | FITT.DK NUT 1/2" BSP JAMB |
| 322097 | 1 | THREADED RING F. LID |
| 322103 | 1 | FITT.DK S-53 BULKHEAD |
| 322107 | 1 | FITT.DK S-53 BULKHEAD NUT |
| 322128 | 1 | NIPPLE 1/2" |
| 329044 | 1 | FILTER ARAG 1.5" 32 MESH LIFT |
| 331273 | 1 | O-RING D44/D38X2 F.1-1/2" |
| 331446 | 1 | FITT.DK HB 1" F.1-1/2" NUT |
| 332577 | 1 | O-RING D38/D30X4 F.1" PUR. |
| 334196 | 1 | PLUG F. LIQUID LEV. INDICATOR |
| 334197 | 1 | BALL F. LIQUID LEV. INDICATOR |
| 334241 | 1 | FITT.DK S-53 ELB.3/4" |
| 334242 | 1 | FITT.DK S-53 ELB.1" |
| 334260 | 1 | GASKET F. S-53 BULKHEAD |
| 334306 | 1 | WASHER D22 PA |
| 370473 | 1 | NOZZLE INJECTOR 5066-2.0 |
| 390401 | 1 | CORD NYLON F.LID 900MM |
| 440392 | 1 | SCREW 6.3 X 25.0 DIN7981C TORX |
| 614588 | 1 | SEAL F. LID |
| 614602 | 1 | FILTER BASKET |
| 726003 | 1 | LID F. TANK |
| 739543 | 1 | TANK ASSY.POLY 100G LE,SPV,LP |
| 739544 | 1 | TANK ASSY.POLY 150G LE,SPV,LP |
| 927205 | 1 | HOSE R X CLEAR X 3/4 X 0012" |
| 976183 | 1 | DECAL COMPANY D.18,2 X 29,6 |
| 10639003 | 1 | DECAL "LE" |
| 10639103 | 1 | DECAL "LE-SPV" |
| 10639203 | 1 | DECAL "LP" |
| 28029903 | 1 | CLAMP HOSE GEAR P3/4"-S1" 6712 |
| 92702403 | 1 | HOSE PVC SUCT GRAY 1" |
| 97600303 | 1 | DECAL CANNON |



F0040

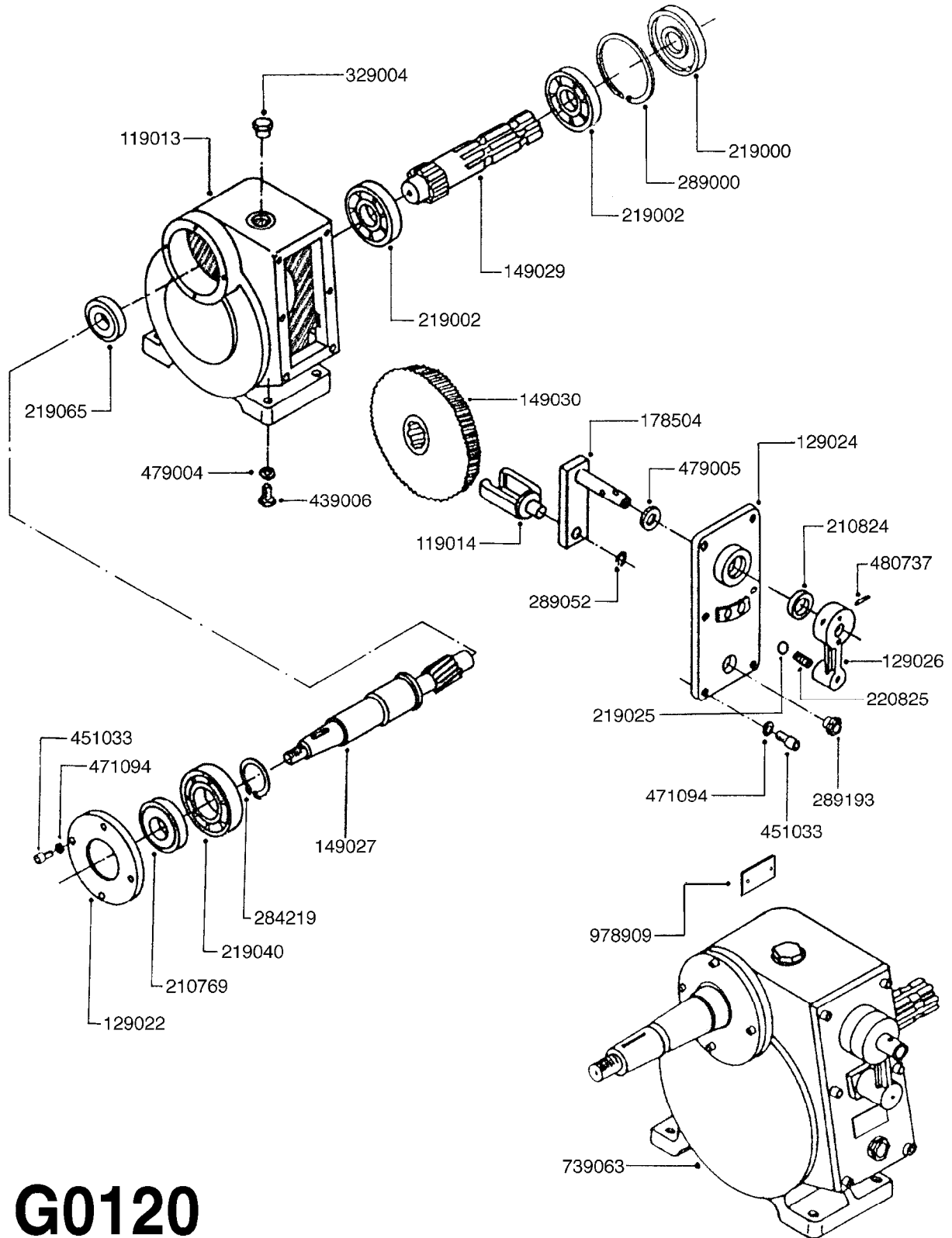


FRAME - LE/LE-SPV/LP 100/150
F0040-HIN, 01:01:16

Page 1

Date 07.02.2020 10:50

| parts-n° | order qty | description |
|----------|-----------|-----------------------------------|
| 169179 | 1 | MOUNT BRKT SUCT. FILTER LE/LP |
| 169383 | 1 | BELT GUARD COVER PLATE LE-SPV |
| 229021 | 1 | SPRING F.STEP LE/LP |
| 249068 | 1 | RUBBER BLOCKS 63X63X29 |
| 289140 | 1 | QUICK LOCK F.LE |
| 340347 | 1 | TANK STRAP PACK.40X750MM 29.5" |
| 410362 | 1 | BOLT HEX 8.8 SS M6X20 |
| 420567 | 1 | BOLT HEX 8.8 DEL M8X30 FT |
| 421236 | 1 | BOLT HEX M10X25 GALV. |
| 421252 | 1 | SCREW M10X30 CAP |
| 430286 | 1 | BOLT HEX 8.8 DEL M12X30 FT |
| 430721 | 1 | BOLT HEX 8.8 DEL M12X40 FT |
| 430846 | 1 | BOLT HEX 8.8 DEL M12X80 |
| 430878 | 1 | BOLT HEX 8.8 DEL M12X45 DIN931 |
| 430968 | 1 | SCREW M12X80 CAP |
| 460143 | 1 | SELF LOCK NUT M8 SST A2 DIN985 |
| 460261 | 1 | NUT HEX M6X1.00 LOCK DIN985 A2 SS |
| 460342 | 1 | NUT HEX M10 DEL DIN934 |
| 460386 | 1 | NUT HEX M12X1.75 |
| 460423 | 1 | NUT HEX M10X1.50 LOCK DIN985A2 SS |
| 460703 | 1 | NUT HEX M12X1.75 LOCK DIN985A2 SS |
| 471064 | 1 | WASHER D7/D3.2X0.5 STAINLESS |
| 471071 | 1 | WASHER M12 GALV |
| 471072 | 1 | WASHER M10 EL2 |
| 471106 | 1 | WASHER D6 |
| 471127 | 1 | WASHER, M12, Ø24/13X24X2.5 SS |
| 480742 | 1 | PIN D8 SPLIT FOR TS |
| 619150 | 1 | BELT SHIELD LE-SPV LP |
| 619151 | 1 | BELT SHIELD LE-SPV LP |
| 619153 | 1 | PUMP BELT TIGHTENER |
| 619428 | 1 | STEP F.LE/LP |
| 619446 | 1 | STEP MOUNT BRACKET F.LE/LP |
| 632247 | 1 | POST F.OPERATING UNIT BK/LX-LY |
| 639114 | 1 | FRAME LEP 300-600 POLY |
| 639125 | 1 | TOP SUPPORT KIT-LE/LP |
| 10443303 | 1 | RIVET 1/8 DIA. X 3/8 LONG |
| 16034100 | 1 | TANK STRAP CM1200 L=65" |



G0120

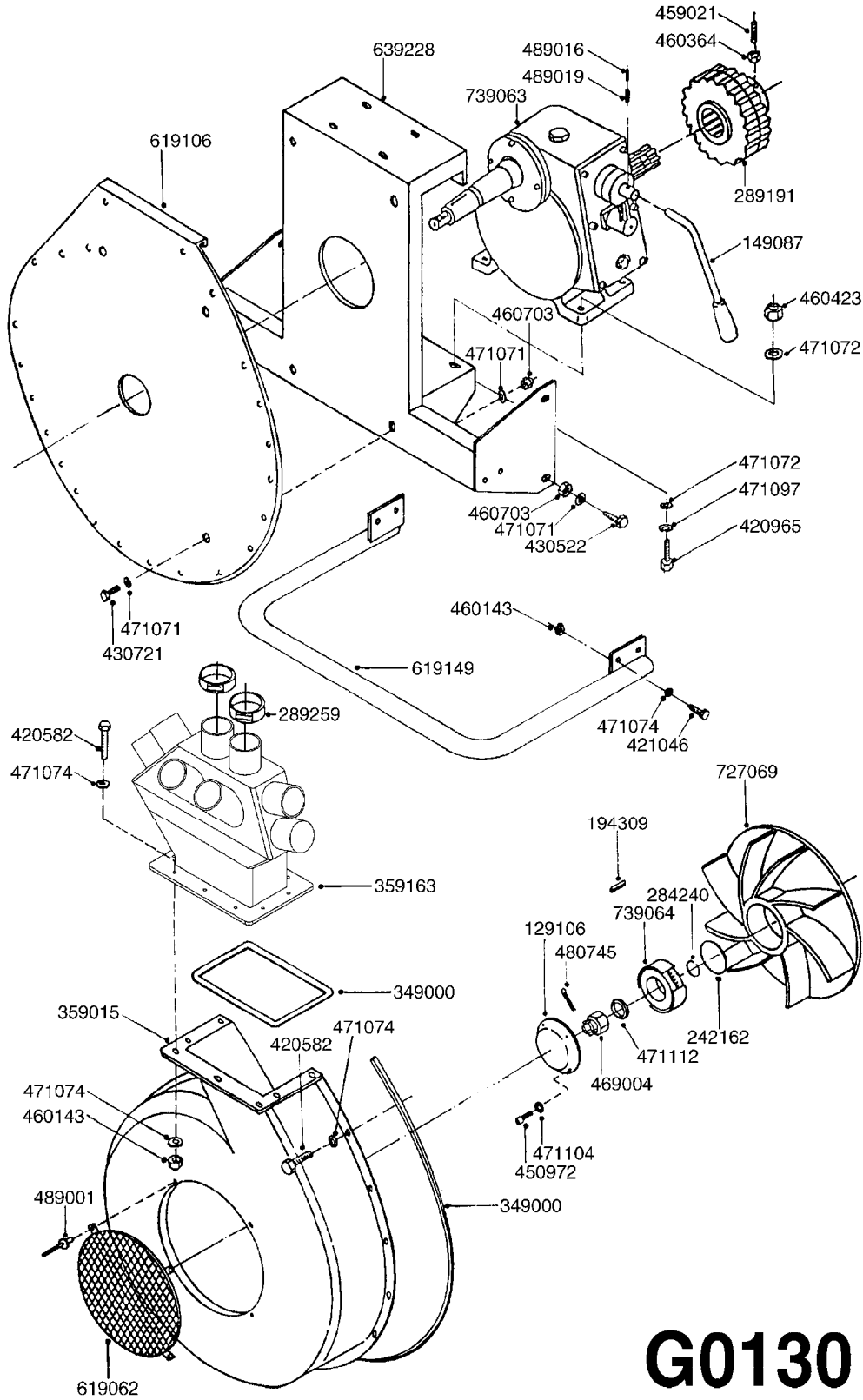


LP - GEAR BOX
G0120-HIN, 01:01:16

Page 1

Date 07.02.2020 10:50

| parts-n° | order qty | description |
|----------|-----------|-------------------------------|
| 119013 | 1 | GEAR BOX HOUSING 1-V |
| 119014 | 1 | SHIFT HEAD F. 1-GEAR GEAR BOX |
| 129022 | 1 | GEAR BOX LID 1 GEAR TURB. |
| 129024 | 1 | COVER F. 1-GEAR GEAR BOX |
| 129026 | 1 | LEVER FOR ARM |
| 149027 | 1 | SHAFT OUTPUT F.GEARBOX LP |
| 149029 | 1 | AXLE SHAFT |
| 149030 | 1 | GEARWHEEL Z = 22 M = 3.5 |
| 178504 | 1 | ARM FOR 1-GEAR GEAR BOX |
| 210769 | 1 | SEAL OIL 62 X 40 X 10 |
| 210824 | 1 | SEAL OIL 18 X 7 |
| 219000 | 1 | OIL SEAL 35 X 72 X 10 |
| 219002 | 1 | BEARING 6207 |
| 219025 | 1 | BALL D15 STAINLESS |
| 219040 | 1 | BEARING |
| 219065 | 1 | BEARING NJ-304 |
| 220825 | 1 | SPRING F.GEAR CHANGE |
| 284219 | 1 | SNAP-RING OUTER 40X1.75 |
| 289000 | 1 | SNAP-RING INNER |
| 289052 | 1 | SNAP-RING E-18 |
| 289193 | 1 | OIL LEVEL GLASS |
| 329004 | 1 | PLUG F.OIL HOLE GEARBOX F.SPV |
| 439006 | 1 | PLUG F.OIL HOLE GEARBOX F.LE |
| 451033 | 1 | SCREW M8X25 HEX |
| 471094 | 1 | WASHER D8,4 STAR |
| 479004 | 1 | SEAL F.OIL PLUG GEARBOX LE |
| 479005 | 1 | WASHER D18 DIN 6916 |
| 480737 | 1 | PIN CLAMP D6X45 |
| 739063 | 1 | GEAR BOX F.LP |



G0130



LP - BLOWER
G0130-HIN, 01:01:16

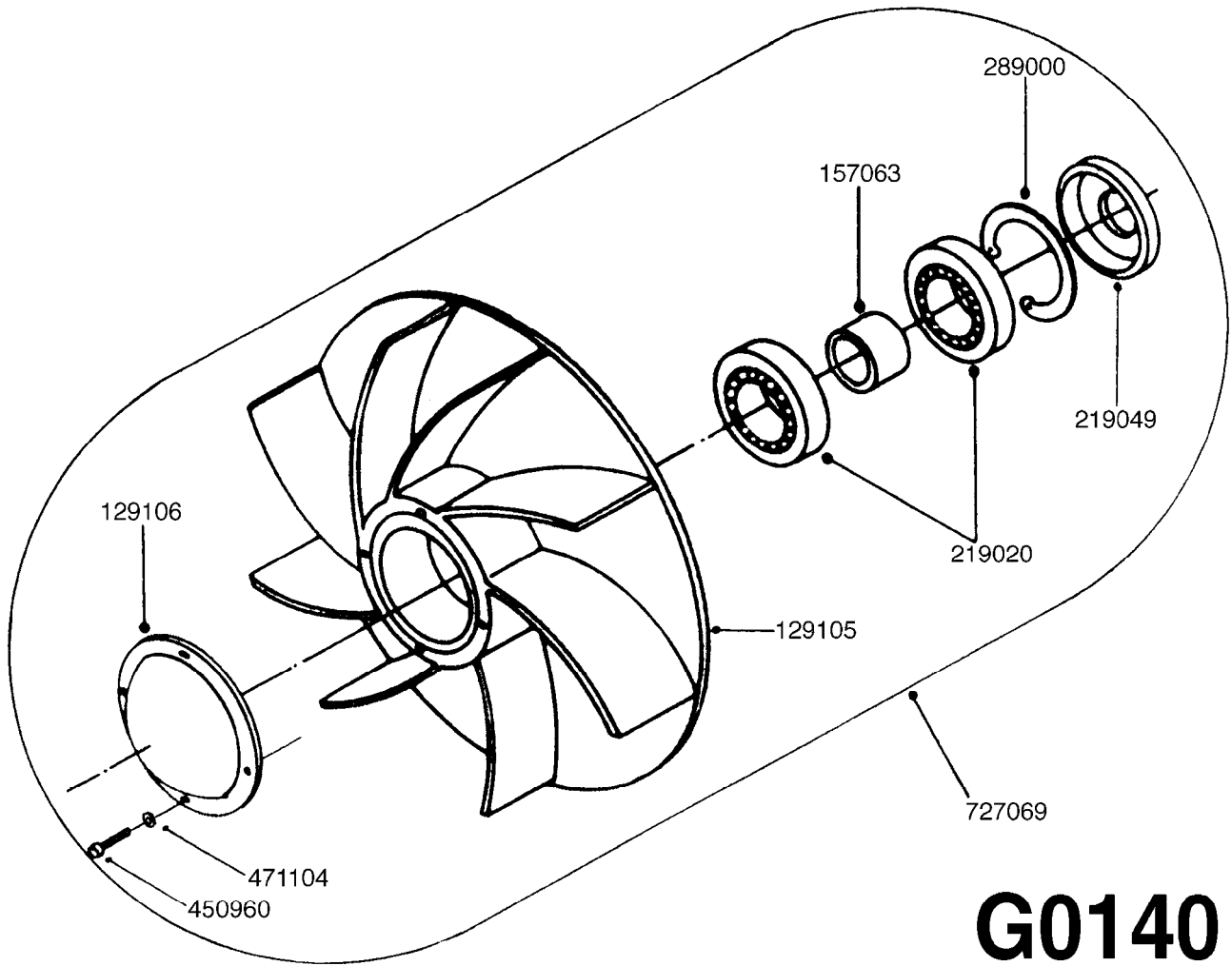
Page 1
Date 07.02.2020 10:50

| parts-n° | order qty | description |
|----------|-----------|-----------------------------------|
| 129106 | 1 | HUB CAP F. 540 FAN LP |
| 149087 | 1 | HANDLE LE-650/750 |
| 194309 | 1 | KEY 8 X 7 X 40 |
| 242162 | 1 | O-RING D140.5X134.5 X 3 |
| 284240 | 1 | SNAP-RING OUTER 35X1.5 |
| 289191 | 1 | GEARWHEEL 3/4" Z-19 SPL. |
| 289259 | 1 | CLAMP 112/104 |
| 349000 | 1 | SEAL FOR CANNON |
| 359015 | 1 | BLOWER HOUSING LP/TP |
| 359163 | 1 | AIR DIST. HOUSING |
| 420582 | 1 | BOLT HEX 8.8 DEL M8X20 FT A2 |
| 420965 | 1 | M10X40 MACHINE SCREW STAINLESS |
| 421046 | 1 | BOLT HEX M8X25/25 A2 SS DIN933 |
| 430522 | 1 | BOLT HEX 8.8 DEL M12X25 FT |
| 430721 | 1 | BOLT HEX 8.8 DEL M12X40 FT |
| 450972 | 1 | SCREW M6X15 ALLEN GALV. |
| 459021 | 1 | DOWEL ALLEN M8X20 |
| 460143 | 1 | SELF LOCK NUT M8 SST A2 DIN985 |
| 460364 | 1 | NUT HU M8 A2 SS DIN934 |
| 460423 | 1 | NUT HEX M10X1.50 LOCK DIN985A2 SS |
| 460703 | 1 | NUT HEX M12X1.75 LOCK DIN985A2 SS |
| 469004 | 1 | M-20 SPECIAL NUT |
| 471071 | 1 | WASHER M12 GALV |
| 471072 | 1 | WASHER M10 EL2 |
| 471074 | 1 | WASHER M8 ELZ |
| 471097 | 1 | WASHER D10 SAFETY |
| 471104 | 1 | WASHER D6 STAR |
| 471112 | 1 | WASHER D20 |
| 480745 | 1 | PIN MD4X50 SPLIT |
| 489001 | 1 | RIVET 4X20 AL. |
| 489016 | 1 | SLOTTED PIN D.3X20 |
| 489019 | 1 | SLOTTED PIN D.5X20 |
| 619062 | 1 | / |
| 619106 | 1 | SUPPORT PLATE F.FAN HOUSING |
| 619149 | 1 | REAR BUMPER F. LP |
| 639228 | 1 | SUPPORT P500 STANDARD |
| 727069 | 1 | CENTRIFUG WHEEL 540 alt 739994 |
| 739063 | 1 | GEAR BOX F.LP |
| 739064 | 1 | CENTRIFUGAL CLUTCH F.LP D130 |



LP - BLOWER FAN
G0140-HIN, 01:01:16

| | |
|------|------------------|
| Page | 0 |
| Date | 07.02.2020 10:50 |



G0140

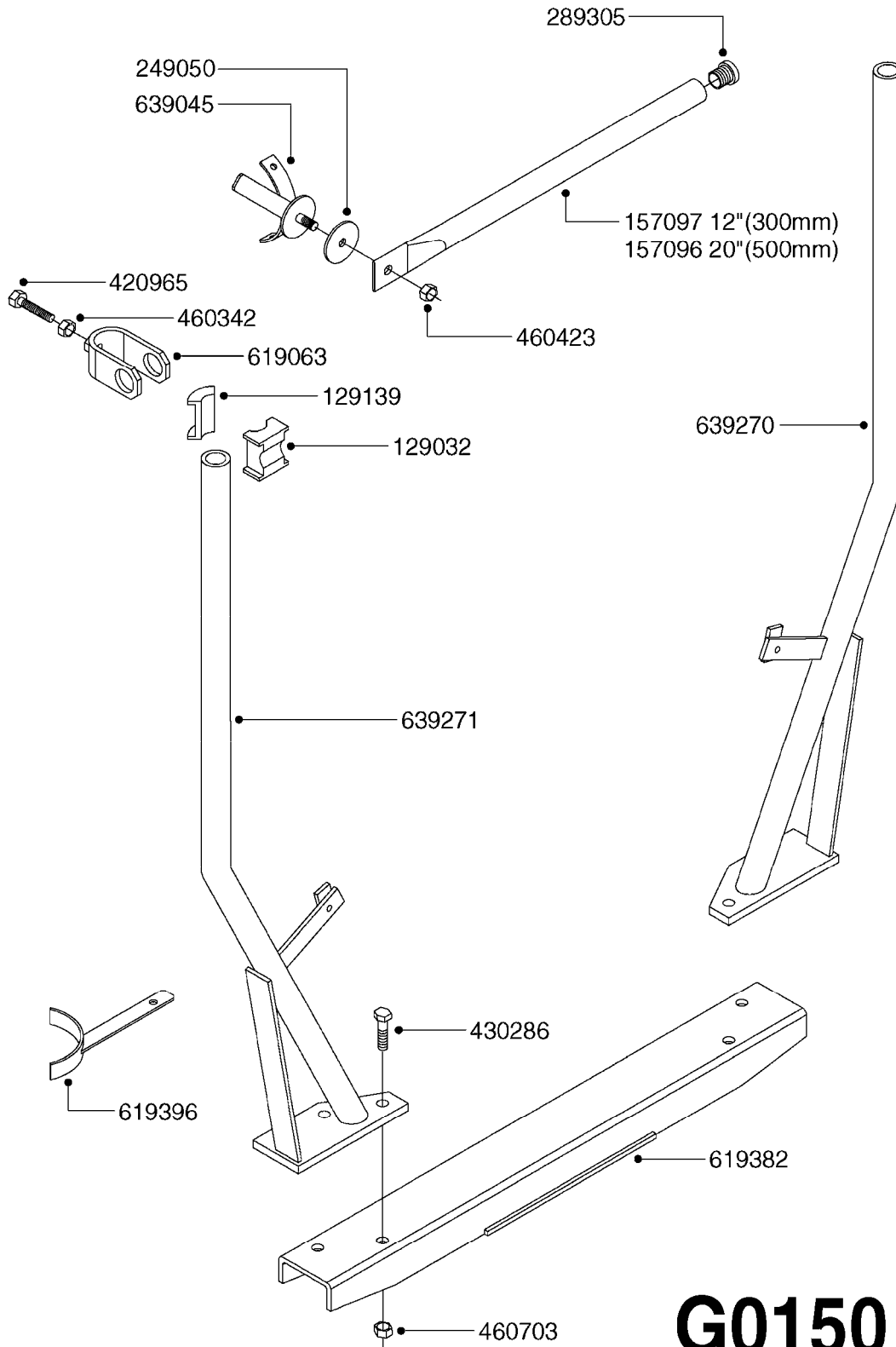


LP - BLOWER FAN
G0140-HIN, 01:01:16

Page 1

Date 07.02.2020 10:50

| parts-n° | order qty | description |
|----------|-----------|--------------------------------|
| 129105 | 1 | 540 FAN LP |
| 129106 | 1 | HUB CAP F. 540 FAN LP |
| 157063 | 1 | BUSHING F. BEARINGS P540-D |
| 219020 | 1 | BEARING |
| 219049 | 1 | OIL SEAL D40 x D72 x 7MM |
| 289000 | 1 | SNAP-RING INNER |
| 450960 | 1 | SCREW M6X20 HEX |
| 471104 | 1 | WASHER D6 STAR |
| 727069 | 1 | CENTRIFUG WHEEL 540 alt 739994 |



G0150

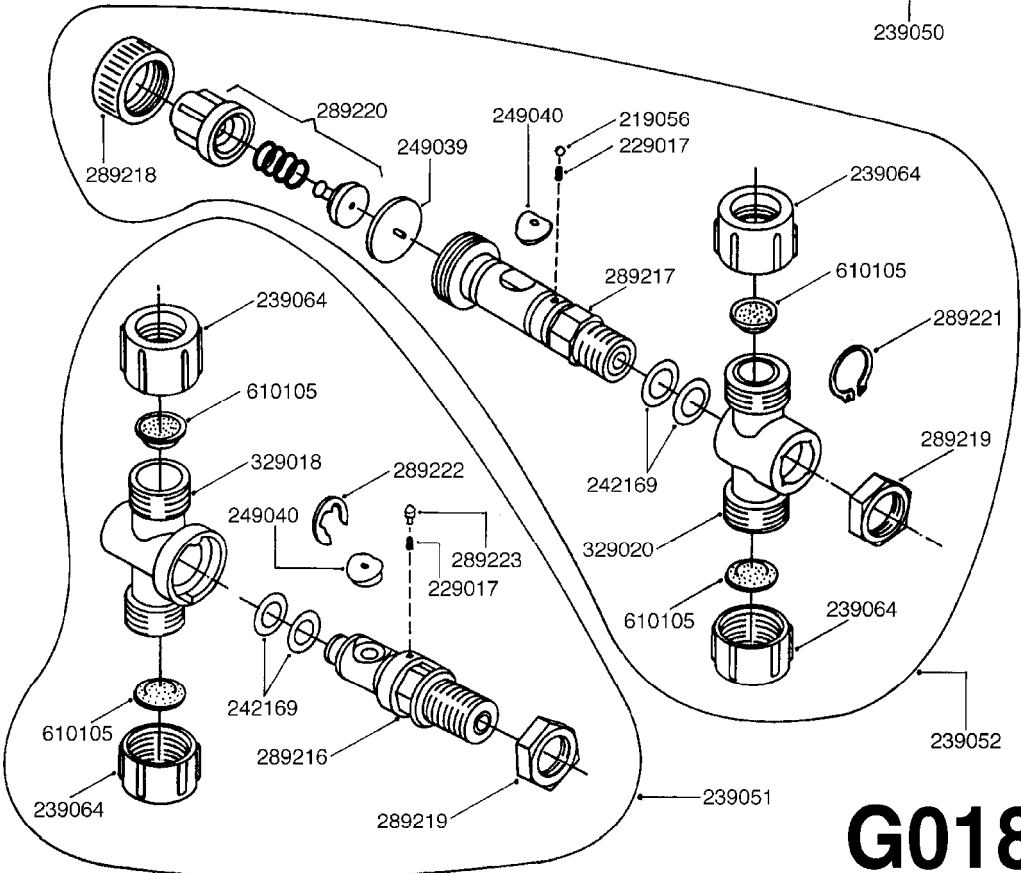
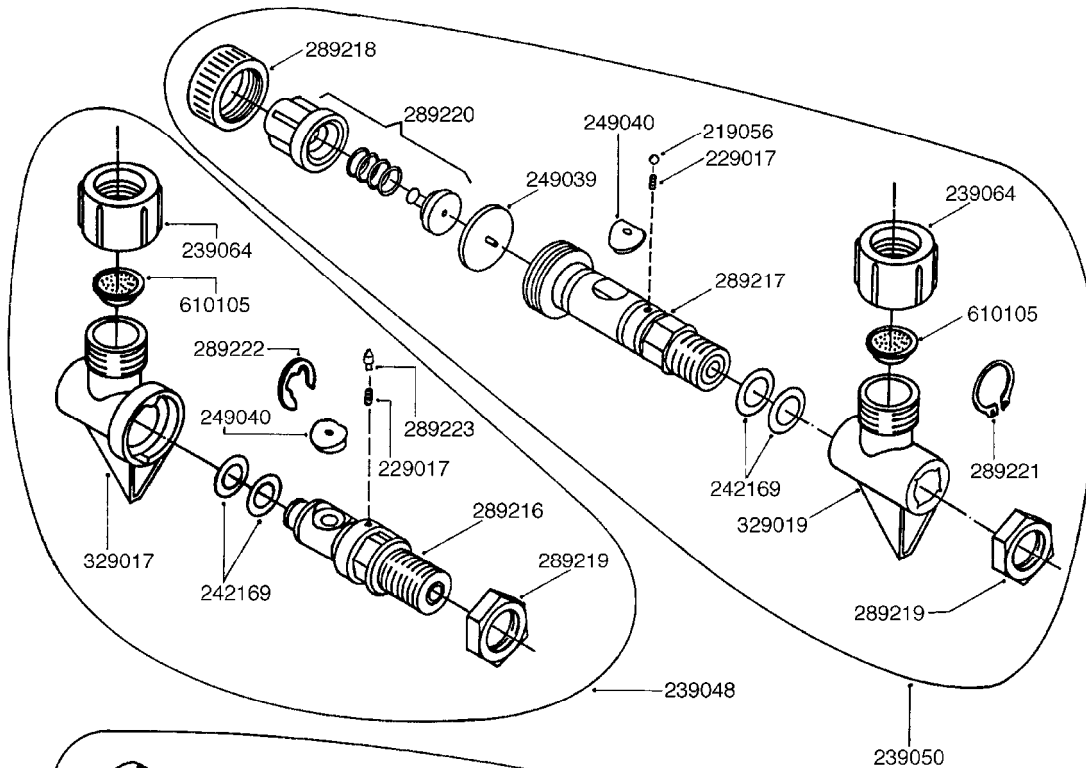


LP - FRAME F. OUTLETS
G0150-HIN, 01:01:16

Page 1

Date 07.02.2020 10:50

| parts-n° | order qty | description |
|----------|-----------|-----------------------------------|
| 129032 | 1 | CLAMP HALF F.TUBE EXTENSION |
| 129139 | 1 | CLAMP HALF F.TUBE EXTENSION |
| 157096 | 1 | TUBE 3/4"x700 SPOUT BRACKET |
| 157097 | 1 | EXTENSION ROD L=12" |
| 249050 | 1 | FRICTION WASHER D48X10X3.5 |
| 289305 | 1 | TUBE PLUG D24 |
| 420965 | 1 | M10X40 MACHINE SCREW STAINLESS |
| 430286 | 1 | BOLT HEX 8.8 DEL M12X30 FT |
| 460342 | 1 | NUT HEX M10 DEL DIN934 |
| 460423 | 1 | NUT HEX M10X1.50 LOCK DIN985A2 SS |
| 460703 | 1 | NUT HEX M12X1.75 LOCK DIN985A2 SS |
| 619063 | 1 | HOLDER FOR EXTENSION |
| 619382 | 1 | LP FRAME BASE PLATE |
| 619396 | 1 | CURVED BRACKET F. LP FRAME |
| 639045 | 1 | BRACKET FOR SPOUT RH |
| 639270 | 1 | LP FRAME RH |
| 639271 | 1 | LP FRAME LH |



G0180

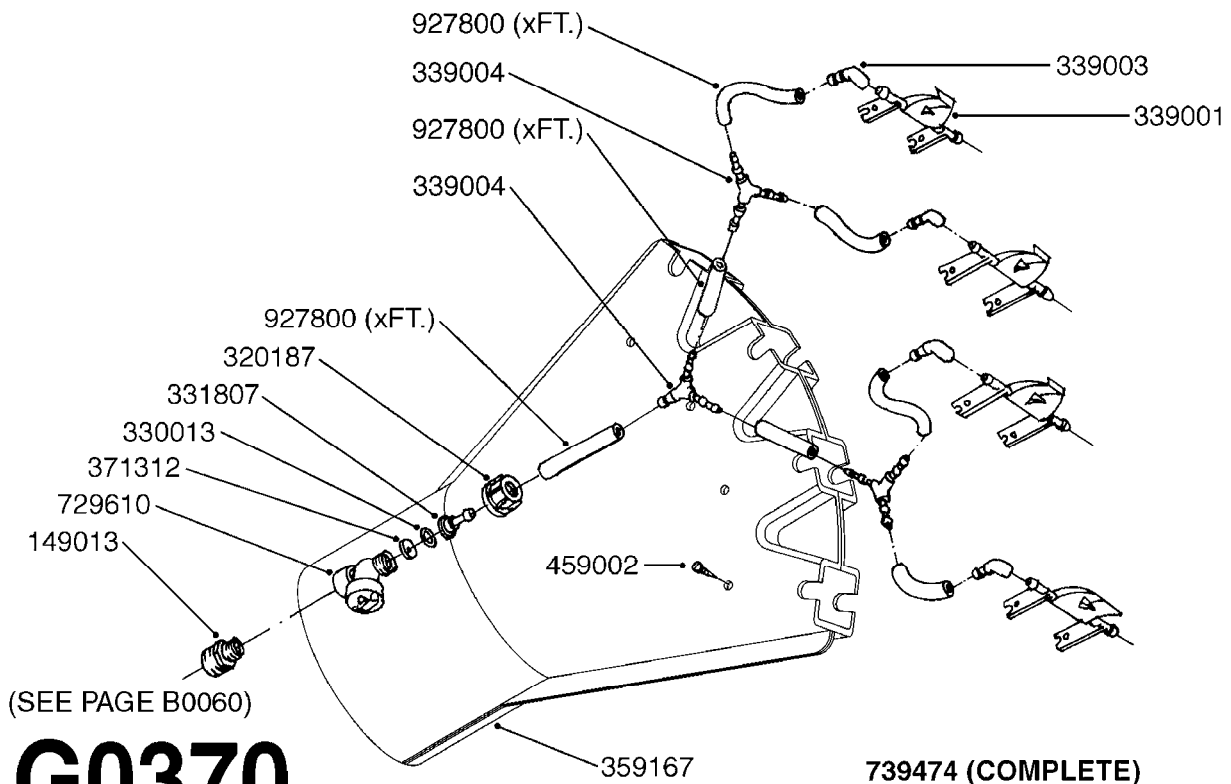
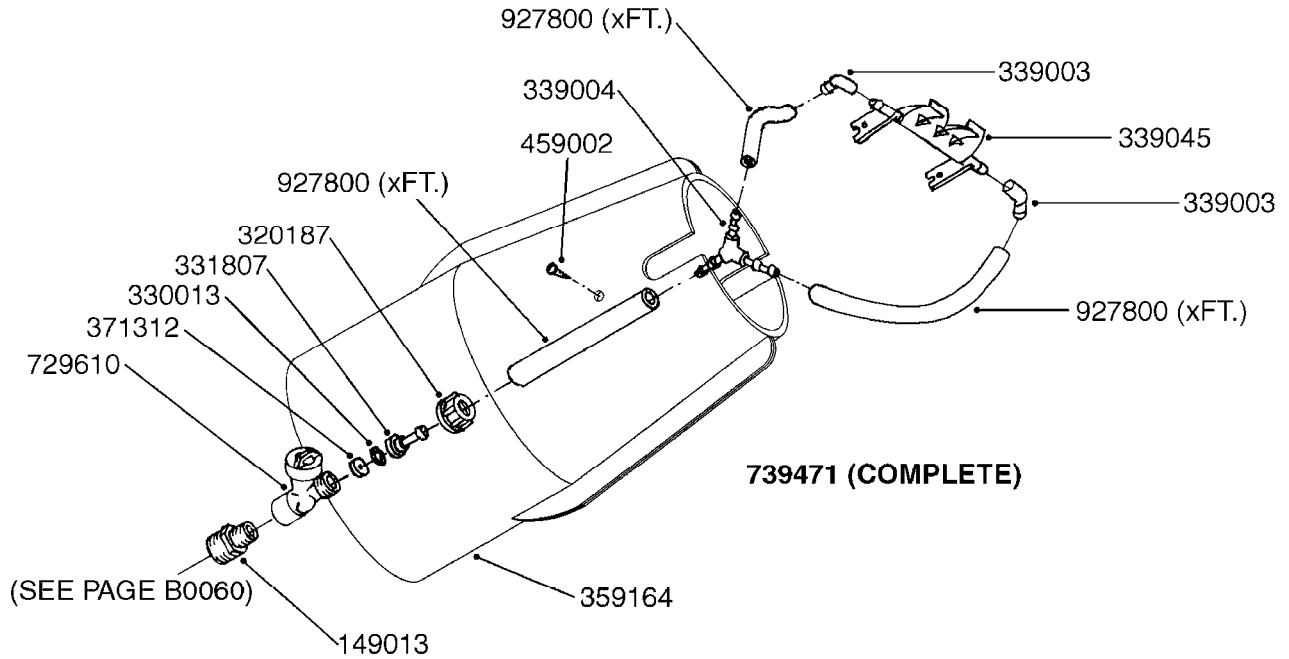


LB/LP-SINGLE & DOUBLE NOZZLES
G0180-HIN, 01:01:16

Page 1

Date 07.02.2020 10:50

| parts-n° | order qty | description |
|----------|-----------|--------------------------------|
| 219056 | 1 | BALL F.NOZZLE HOLDER LB |
| 229017 | 1 | SPRING F.NOZZLE HOLDER LB |
| 239048 | 1 | NOZZLE BODY F.LB W/O NON DRIP |
| 239050 | 1 | NOZZLE ASSY.NO DRIP SINGLE |
| 239051 | 1 | NOZZLE ASSY.NO DRIP DOUBLE |
| 239052 | 1 | NOZZLE ASSY.DOUBLE |
| 239064 | 1 | NYLON NUT - ARAG |
| 242169 | 1 | O-RING F.NOZZLE HOLDER LB50 |
| 249039 | 1 | DIAPHRAGM F. CHECK VALVE LB50 |
| 249040 | 1 | PIN F.NOZZLE HOLDER LB |
| 289216 | 1 | HOLDER F.ARAG DOUBLE NOZZLE |
| 289217 | 1 | HOLDER F.ARAG NON-DRIP |
| 289218 | 1 | NUT ARAG |
| 289219 | 1 | NUT 1/4" ARAG |
| 289220 | 1 | SPRING ASSEMBLY ARAG |
| 289221 | 1 | SNAP RING ARAG |
| 289222 | 1 | RETAINER CLIP - ARAG |
| 289223 | 1 | LOCK PIN F.NOZZLE |
| 329017 | 1 | ADJ.NOZZLE HOLDER ARAG NO-DRIP |
| 329018 | 1 | ADJ.DOUBLE NOZ.HOLDER - ARAG |
| 329019 | 1 | ADJ.NOZZLE HOLDER ARAG NO-DRIP |
| 329020 | 1 | ADJ.DOUBLE NOZ.HOLDER - ARAG |
| 610105 | 1 | NOZZLE FILTER |



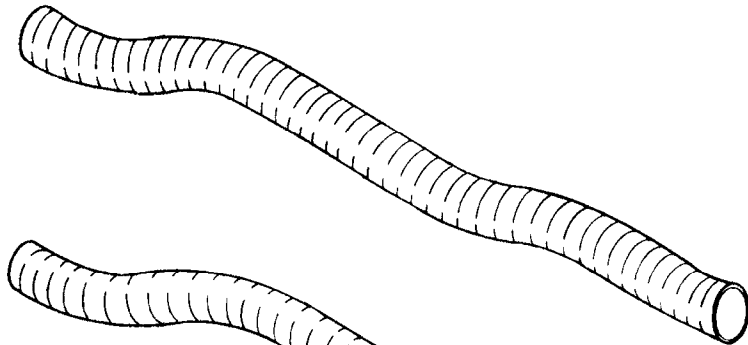
G0370



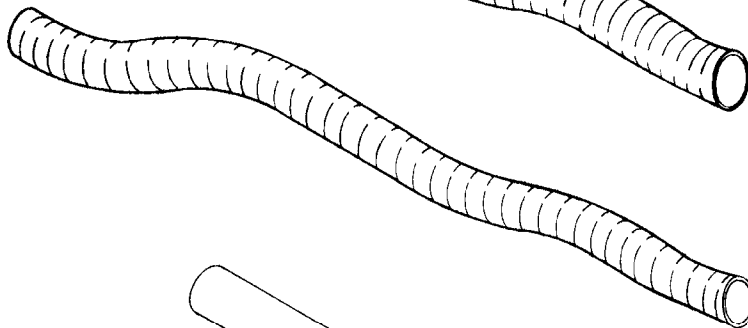
LP - PNEUMATIC OUTLETS
G0370-HIN, 01:01:16

Page 1
Date 07.02.2020 10:50

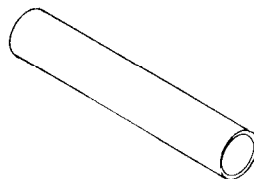
| parts-n° | order qty | description |
|----------|-----------|-------------------------------------|
| 149013 | 1 | REDUCER 1/2" X 3/8" |
| 320187 | 1 | FITT.DK CAP 3/8" BSP BLACK |
| 330013 | 1 | O-RING 2.5 X 10 PUR |
| 331807 | 1 | FITT.DK HB 5/16" F.3/8" NUT |
| 339001 | 1 | DIFFUSOR PLATE L=59 BLADE |
| 339003 | 1 | ELBOW F.DIFFUSOR PLATE |
| 339004 | 1 | FITT.DK Y-5/16" |
| 339045 | 1 | VENTURI DEFLECTOR L=100 DOUBLE F.LP |
| 359164 | 1 | PNEUMATIC AIR SPOUT 1 OUTLET |
| 359167 | 1 | PNEUMATIC SPOUT, 4 OUTLETS |
| 371312 | 1 | NOZZLE CERAMIC 1099-15 |
| 459002 | 1 | SCREW N10X1/2" |
| 729610 | 1 | NOZZLE ASSY. NON DRIP 3/8 THRD |
| 739471 | 1 | NOZZLE OUTLET SINGLE TWO-ROW |
| 739474 | 1 | SPOUT ASSY. F. LP 4 OUTLET |
| 927800 | 1 | HOSE BLACK D8X12 |



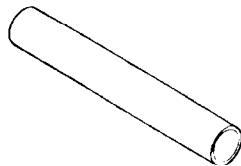
24002503 - Ø 5" (125mm)



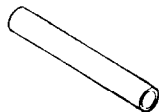
24002403 - Ø 4" (100mm)



259034 - Ø 5" (125mm) L=29-1/2" (750mm) PVC



259035 - Ø 4-3/8" (110mm) L=39-3/8" (1000mm) PVC



349012 - Ø 4" (100mm) L=37-3/8" (950mm) PVC



349026 - Ø 5-1/2" (140mm) / Ø 4-3/8" (110mm) PVC



349030 - Ø 5-1/2" (140mm) / Ø 3-1/2" (90mm) PVC



349025 - Ø 5" (125mm) / Ø 4-3/8" (110mm) PVC



349023 - Ø 5" (125mm) PVC

G0420



TUBES & HOSES
G0420-HIN, 01:01:16

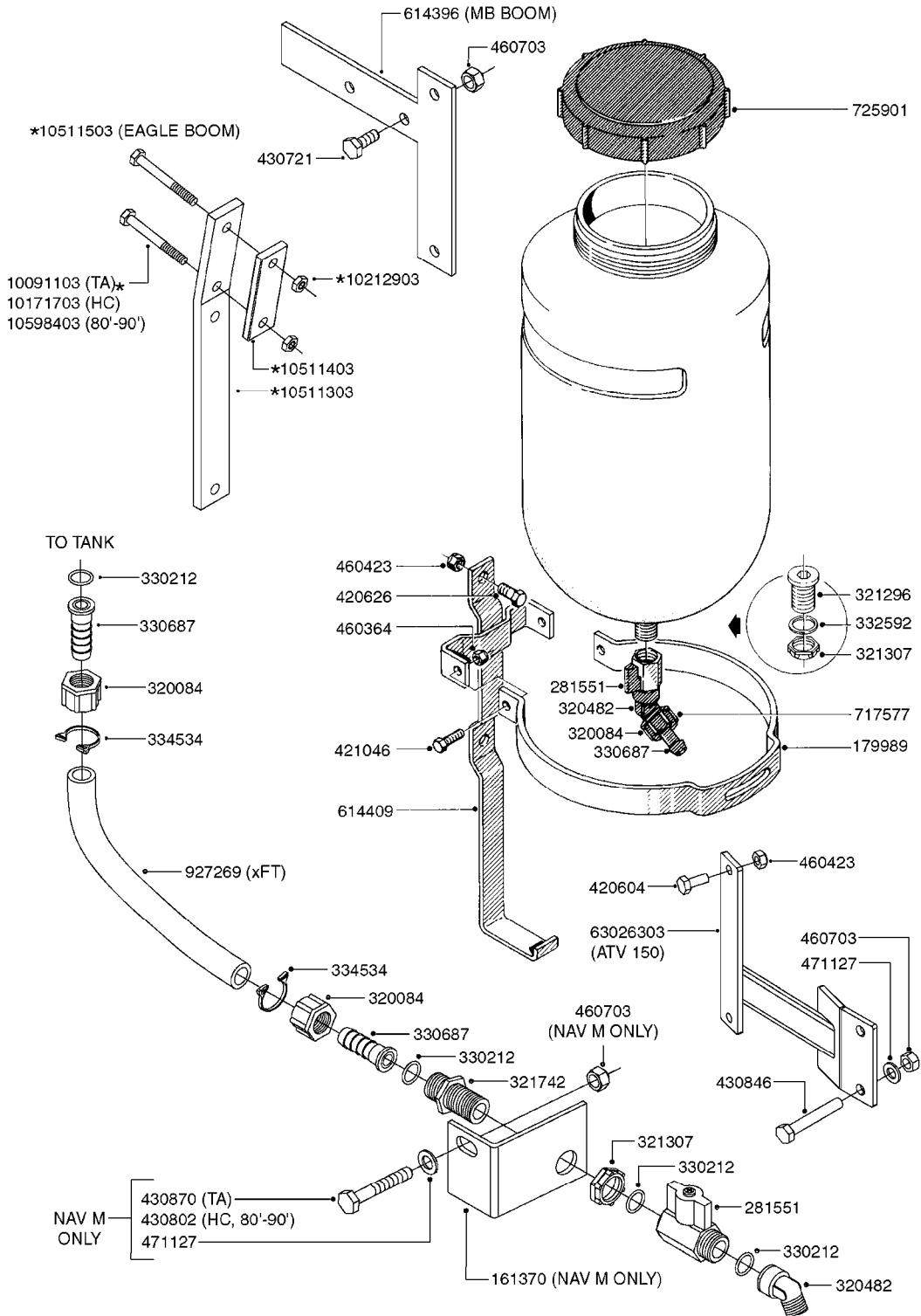
Page 1

Date 07.02.2020 10:50

| parts-n° | order qty | description |
|----------|-----------|--------------------------------|
| 259034 | 1 | PVC HOSE D125MM X 0.75M |
| 259035 | 1 | PVC HOSE D100MM X 1.0M |
| 349012 | 1 | PVC TUBE D100MM X 950MM |
| 349023 | 1 | GREY PVC LID D125MM |
| 349025 | 1 | CONNECT.PIECE PVC D125MM-110MM |
| 349026 | 1 | CONICAL REDUC.PVC D140MM-100MM |
| 349030 | 1 | 140MM-90MM PVC ADAPTER |
| 24002403 | 1 | HOSE R X TPR 4" BLACK |
| 24002503 | 1 | HOSE R X TPR 5" BLACK |



CLEAN WATER TANK
K0130-HIN, 01:01:16



COMPLETE TANK ASSY : 722072

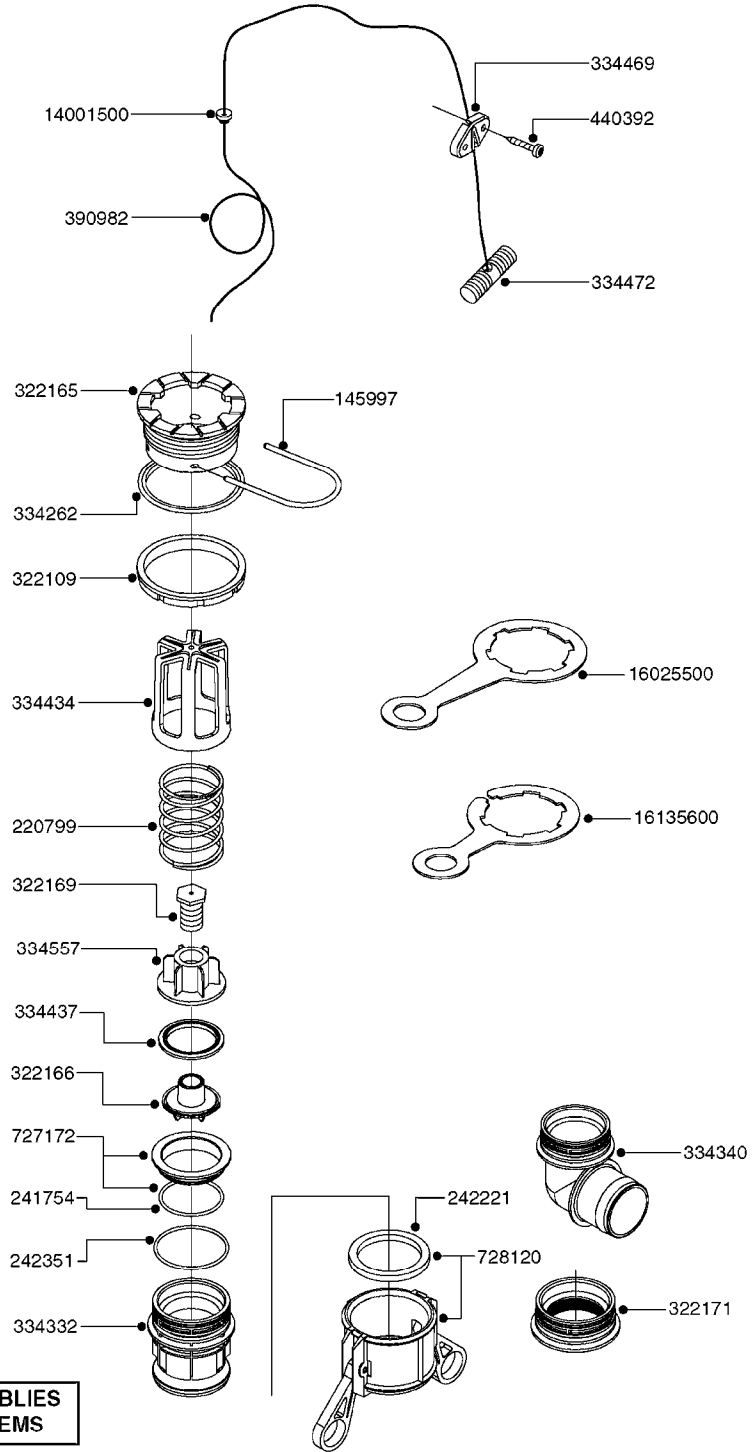
K0130



CLEAN WATER TANK
K0130-HIN, 01:01:16

Page 1
Date 07.02.2020 10:50

| parts-n° | order qty | description |
|----------|-----------|-----------------------------------|
| 161370 | 1 | BKT.CLEAN WATER BOTT. VALVE |
| 179989 | 1 | BRKT. F. 3 GAL. TANK |
| 281551 | 1 | BALL VALVE 1/2" |
| 320084 | 1 | FITT.DK NUT 1/2" BSP |
| 320482 | 1 | FITT.DK ELB. 1/2" BSP 60 DEG. |
| 321296 | 1 | FITT.DK BULKHEAD 1/2" BSP SING |
| 321307 | 1 | FITT.DK NUT 1/2" BSP JAMB |
| 321742 | 1 | FITT.DK BULKHEAD 1/2' BSP |
| 330212 | 1 | O-RING D19/D14X2.4 F.1/2"NUT |
| 330687 | 1 | FITT.DK HB 1/2" F. 1/2" NUT |
| 332592 | 1 | O-RING D26/D20X3 |
| 334534 | 1 | CLAMP HOSE PLASTIC 1/2" |
| 420604 | 1 | BOLT HEX 8.8 DEL M10X25 FT DIN933 |
| 420626 | 1 | BOLT HEX 8.8 DEL M10X20 FT |
| 421046 | 1 | BOLT HEX M8X25/25 A2 SS DIN933 |
| 430721 | 1 | BOLT HEX 8.8 DEL M12X40 FT |
| 430802 | 1 | BOLT HEX 8.8 DEL M12X75 |
| 430846 | 1 | BOLT HEX 8.8 DEL M12X80 |
| 430870 | 1 | BOLT HEX 8.8 DEL M12X55 FT |
| 460364 | 1 | NUT HU M8 A2 SS DIN934 |
| 460423 | 1 | NUT HEX M10X1.50 LOCK DIN985A2 SS |
| 460703 | 1 | NUT HEX M12X1.75 LOCK DIN985A2 SS |
| 471127 | 1 | WASHER, M12, Ø24/13X24X2.5 SS |
| 614396 | 1 | CLEAN WATER BRACKET MB |
| 614409 | 1 | BRACKET FOR FOAM MARKER |
| 717577 | 1 | VALVE F.CLEAN WATER TANK |
| 722072 | 1 | CLEAN WATER TANK W FRAME & TAP |
| 725901 | 1 | LID F.WATER BOTTLE VENTED |
| 927269 | 1 | HOSE R X PVC X 1/2 X 0012" |
| 10091103 | 1 | BOLT HEX 3/8 NC GR.2 03.00' |
| 10171703 | 1 | BOLT HEX 3/8 NC GR.2 03.50" |
| 10212903 | 1 | NUT HEX NC (NYLON LOCK) 3/8" |
| 10511303 | 1 | FLATBAR L350/17DEG.CLEAN WATER |
| 10511403 | 1 | FLATBAR 104MM CLEAN WATER |
| 10511503 | 1 | BKT.CLEAN WATER MOUNT EAGLE |
| 10598403 | 1 | BOLT HEX HCS3/8-16 X 4 Z 5 |
| 63026303 | 1 | CLEAN WATER TANK BRKT, ATV |



727617 - COMPLETE ASSEMBLY (2" BSP THREADED FITTING & 126" CORD)
727742 - COMPLETE ASSEMBLY (2-1/2" ELBOW & 157.5" CORD)

K0180



DRAIN ASSEMBLY-PULL CORD TYPE
K0180-HIN, 01:01:16

Page 1

Date 07.02.2020 10:50

| parts-n° | order qty | description |
|----------|-----------|--------------------------------|
| 145997 | 1 | FITT.DK S-93 FORK |
| 220799 | 1 | SPRING F.TOP DRAIN |
| 241754 | 1 | O-RING D59.5X3 |
| 242221 | 1 | GASKET F. S-93 QUICK COUPLERS |
| 242351 | 1 | O-RING D69.5X3.0 VITON F.S-93 |
| 322109 | 1 | FITT.DK S-93 BULKHEAD NUT |
| 322165 | 1 | FITT.DK S-93 BULKHEAD SINGLE |
| 322166 | 1 | VALVE FLAP LOWER PART |
| 322169 | 1 | CORD PLUG F.TOP DRAIN |
| 322171 | 1 | FITT.DK S-93 THREAD INS.2"BSP |
| 334262 | 1 | GASKET F.S-93 BULKHEAD |
| 334332 | 1 | FITT.DK S-93 MALE QUICK COUP. |
| 334340 | 1 | FITT.DK S-93 ELBOW 2.5" |
| 334434 | 1 | CAGE F.SPRING BOTTOM DRAIN ASY |
| 334437 | 1 | SEAL FOR VALVE FLAP |
| 334469 | 1 | CLEVIS F.CORD TOP DRAIN ASSY. |
| 334472 | 1 | HANDLE FOR TOP DRAIN |
| 334557 | 1 | SPRING SEAT TOP DRAIN |
| 390982 | 1 | CORD NYLON 4000MM |
| 440392 | 1 | SCREW 6.3 X 25.0 DIN7981C TORX |
| 727172 | 1 | FITT.DK S-93 SEAT INSERT |
| 727617 | 1 | FITT.DK S-93 BOTTOM VALVE 2' |
| 727742 | 1 | TOP DRAIN CORD TYPE |
| 728120 | 1 | QUICK COUPLER CAP F.S93 DRAIN |
| 14001500 | 1 | GROMMET F.TOP DRAIN CORD |
| 16025500 | 1 | TANK SPACER SIGHT GAUGE |
| 16135600 | 1 | GUIDE FOR SIGHT GAUGE NAV/NCM |