



Agroparts: www.HARDI-INTERNATIONAL.com

Tango/Bravo/Condor - Trailer
500 Gallon Bravo 22" Fan

Country-Code 11

Date 07.02.2020 10:55



**BRAVO 500 Gallon
22" Fan**

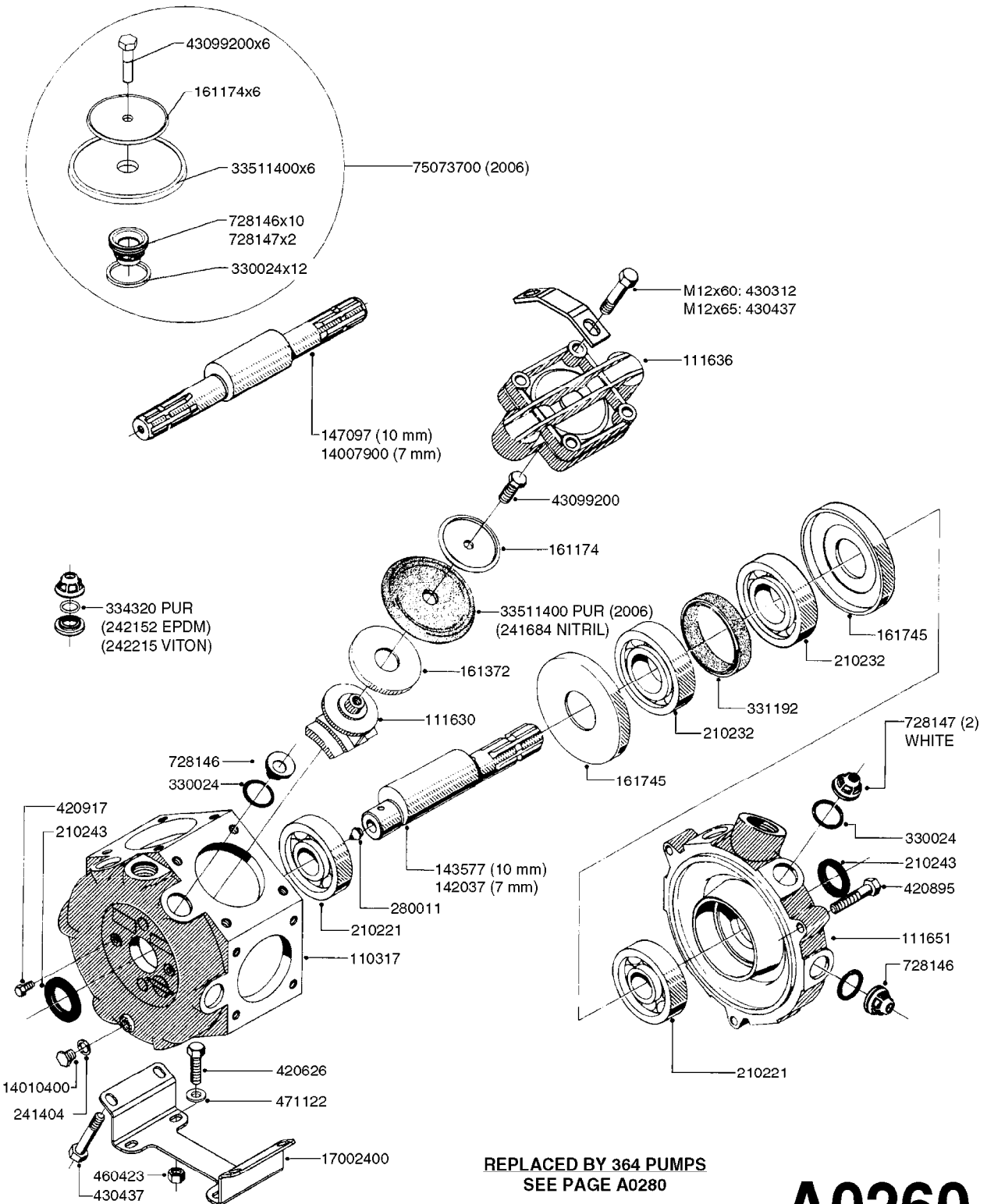


Tango/Bravo/Condor - Trailer
500 Gallon Bravo 22" Fan

Page 0.1

Date 07.02.2020 10:55

| main group | page-n° | date | description |
|-----------------------------|-----------|----------|--------------------------------|
| Pumps | A0260-HIN | 17:03:16 | PUMP - 363 W/MOUNTING BASE |
| | A0280-HIN | 24:04:19 | PUMP - 364 540/1000 RPM |
| | A0300-HIN | 28:05:19 | PUMP - 361/363FITTINGS |
| | A0550-HIN | 01:01:16 | C.V.PTO SHAFTS YELLOW (PRE'05) |
| | A0570-HIN | 23:08:19 | C.V.PTO-BLACK SQUARE (POST'05) |
| Controls, Filters, Valves | B0160-HIN | 01:01:16 | CB/2 CONTROL - ELECTRIC |
| | B0170-HIN | 01:01:16 | TANGO/BRAVO/CONDOR CB/2 PLUMB. |
| | B0210-HIN | 01:01:16 | BOOM SECTION VALVE - CB/2 |
| | B0220-HIN | 01:01:16 | PRESSURE REG. VALVE - CB/2 |
| | B0420-HIN | 01:01:16 | MANIFOLD SYSTEM - PRESSURE |
| | B0430-HIN | 12:09:19 | MANIFOLD - S67 VALVE |
| | B0710-HIN | 01:01:16 | SUCTION FILT.-VINEYARD&ORCHARD |
| Tank and Frame: Mistblowers | F0080-HIN | 01:01:16 | TANK - TANGO/BRAVO/CONDOR 500 |
| | F0090-HIN | 01:01:16 | FRAME - TANGO/BRAVO/CONDOR 500 |
| | F0160-HIN | 01:01:16 | DRAWBAR - TURNABLE HITCH |
| Blower unit mistblowers | G0220-HIN | 01:01:16 | ARROW/BRAVO SPV 22" BLOWER |
| Special equipment, Extras | G0420-HIN | 01:01:16 | TUBES & HOSES |
| | K0350-HIN | 01:01:16 | FLUSH SYST.-TANGO/BRAVO/CONDOR |
| | K0550-HIN | 01:01:16 | POWDER MIXER |
| | K0760-HIN | 01:01:16 | RINSE SYST.-TANGO/BRAVO/CONDOR |



REPLACED BY 364 PUMPS
SEE PAGE A0280

A0260



PUMP - 363 W/MOUNTING BASE
A0260-HIN, 17:03:16

Page 1

Date 07.02.2020 10:55

| parts-n° | order qty | description |
|----------|-----------|--|
| 110317 | 1 | PUMP CASING MODEL 360/361 PNTD |
| 111630 | 1 | CONNECTING ROD 363/364-10 PUMP |
| 111636 | 1 | VALVE COVER 363 HEAVY DUTY |
| 111651 | 1 | CASTING F.363 1.5" PUMP(FRONT) |
| 142037 | 1 | CRANK SHAFT 361-20 |
| 143577 | 1 | CRANK SHAFT F.363/462/463-10mm |
| 147097 | 1 | CRANK SHAFT 363-463/10 THROUGH |
| 161174 | 1 | DIAPHRAGM DISC SS 361/363/364 PUMP |
| 161372 | 1 | DIAPHRAGM BACKING DISC,320-361 |
| 161745 | 1 | METAL SPACER F.363/463 |
| 210221 | 1 | BEARING BALL 6407 |
| 210232 | 1 | BEARING BALL 6310 |
| 210243 | 1 | SEAL OIL 35 X 47 X 7 |
| 241404 | 1 | DOWTY SEAL 1/4" |
| 241684 | 1 | DEICER PARTS: DIAPHRAGM MODEL 361 NITRIL |
| 242152 | 1 | O-RING D18.2X3 EPDM |
| 242215 | 1 | O-RING D18X3 VITON |
| 280011 | 1 | GREASE NIPPLE 1/8" SAE H TR |
| 330024 | 1 | O-RING D41,1/D34.5 X 3,5 |
| 331192 | 1 | SPACER, MODEL 361/363 |
| 334320 | 1 | O-RING D18X3 POLYURETHANE |
| 420626 | 1 | BOLT HEX 8.8 DEL M10X20 FT |
| 420895 | 1 | BOLT HEX 8.8 RAW M10X60 |
| 420917 | 1 | BOLT HEX 8.8 RAW M8X12 FT |
| 430312 | 1 | BOLT HEX 8.8 M12X60 |
| 430437 | 1 | BOLT HEX 8.8 RAW M12X65 |
| 460423 | 1 | NUT HEX M10X1.50 LOCK DIN985A2 SS |
| 471122 | 1 | WASHER, M10, Ø20/10.5X 2.0, SS |
| 728146 | 1 | VALVE FOR 361(726890/707932) |
| 728147 | 1 | VALVE FOR 361 WHITE WITH HOLE |
| 14007900 | 1 | CRANK 363/462/463-7mm 540/THRU |
| 14010400 | 1 | PLUG 1/4" BSP |
| 17002400 | 1 | FOOT F. 36X PUMP, RED |
| 33511400 | 1 | DIAPHRAGM PUMP 361/361/363/364 PUR |
| 43099200 | 1 | BOLT HEX SS M12 X 30 DIN933 A4 |
| 75073700 | 1 | PUMP KIT 361/363 "06" |

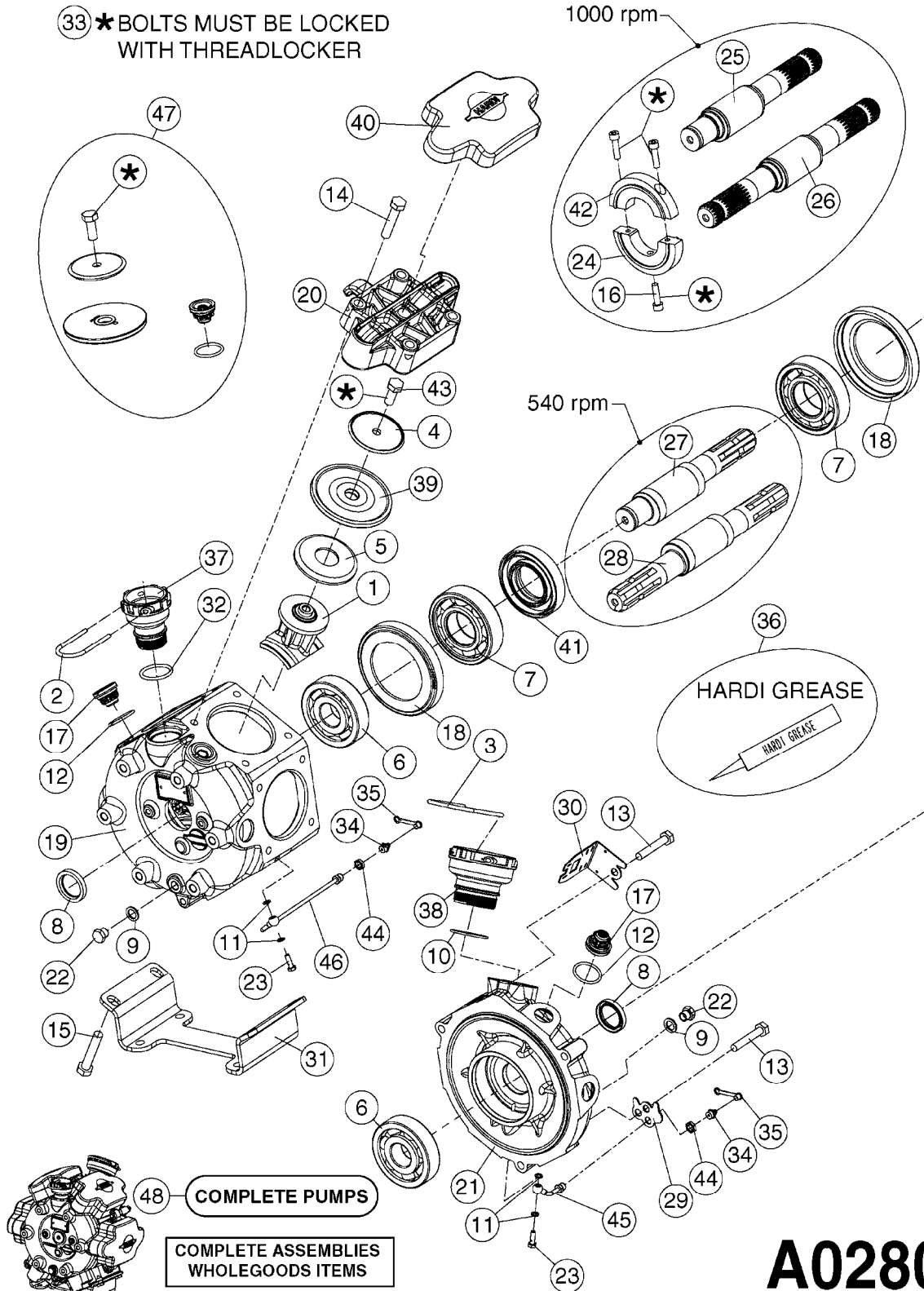


33 *BOLTS MUST BE LOCKED WITH THREADLOCKER

1000 rpm

540 rpm

HARDI GREASE



A0280



PUMP - 364 540/1000 RPM
A0280-HIN, 24:04:19

Page 1

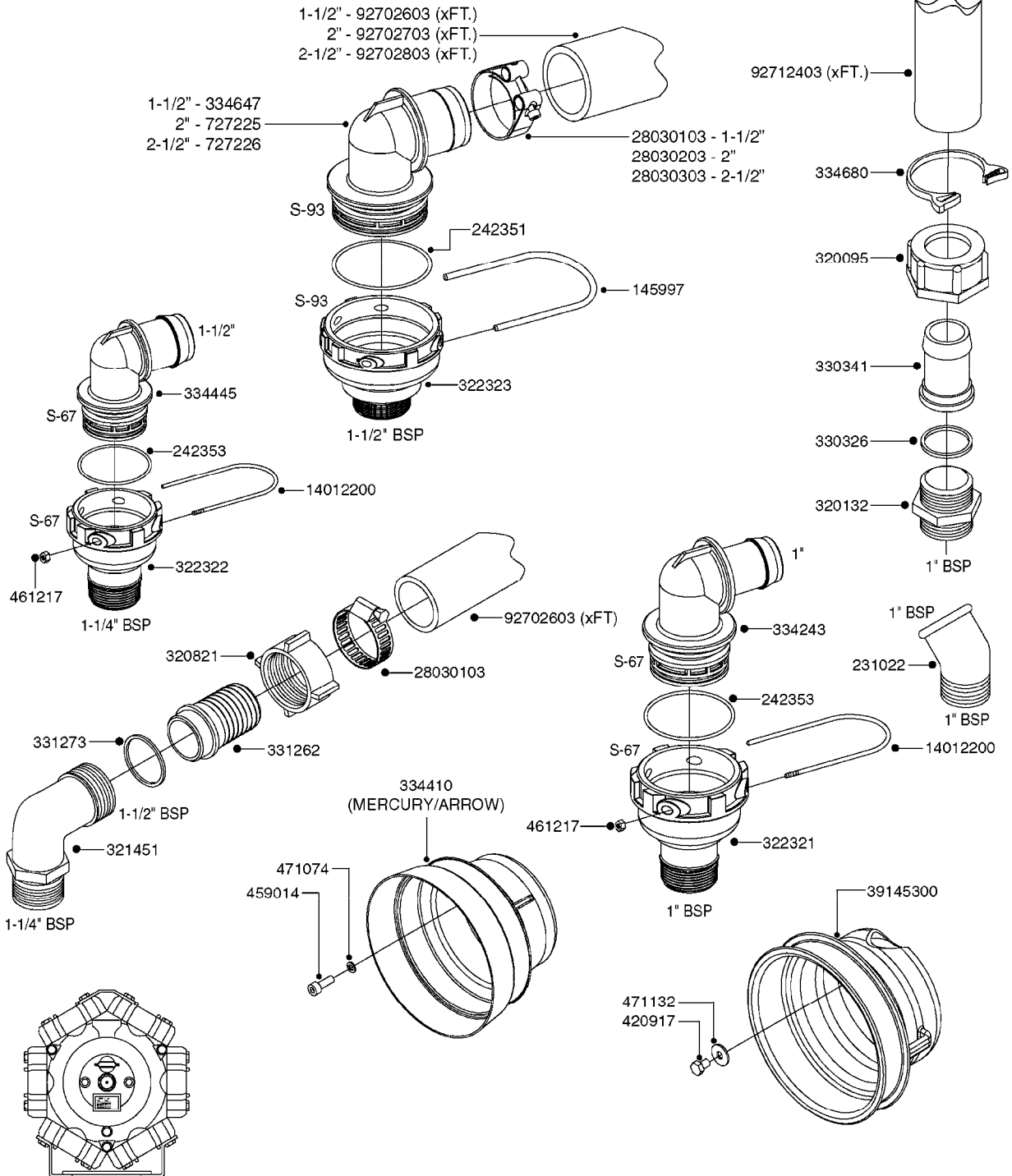
Date 07.02.2020 10:55

| Pos. | parts-n° | order qty | description |
|------|----------|-----------|--------------------------------------|
| 1 | 111622 | 1 | CONNECTING ROD 463/5.5MM |
| 1 | 111628 | 1 | CONNECTING ROD 363/5.5 PUMP |
| 1 | 111629 | 1 | CONNECTING ROD 363/364-7 PUMP |
| 1 | 111630 | 1 | CONNECTING ROD 363/364-10 PUMP |
| 2 | 145996 | 1 | FITT.DK S-67 FORK |
| 3 | 145997 | 1 | FITT.DK S-93 FORK |
| 4 | 161174 | 1 | DIAPHRAGM DISC SS 361/363/364 PUMP |
| 5 | 161372 | 1 | DIAPHRAGM BACKING DISC,320-361 |
| 6 | 210221 | 1 | BEARING BALL 6407 |
| 7 | 210232 | 1 | BEARING BALL 6310 |
| 8 | 210243 | 1 | SEAL OIL 35 X 47 X 7 |
| 9 | 241404 | 1 | DOWTY SEAL 1/4" |
| 10 | 242225 | 1 | O-RING D45.0 X 4.0 RUBBER |
| 11 | 242374 | 1 | WASHER Ø10/Ø6X1 COPPER |
| 12 | 330024 | 1 | O-RING D41,1/D34.5 X 3,5 |
| 13 | 420895 | 1 | BOLT HEX 8.8 RAW M10X60 |
| 14 | 430312 | 1 | BOLT HEX 8.8 M12X60 |
| 15 | 430438 | 1 | BOLT HEX 8.8 DEL M12X65 |
| 16 | 450995 | 1 | BOLT ALLEN M8X30 DIN 912 RAW |
| 17 | 728146 | 1 | VALVE FOR 361(726890/707932) |
| 18 | 11171900 | 1 | CONROD RING 364/464 MACHINED |
| 19 | 11172000 | 1 | PUMP HOUSE 364 MACHINED 5/4" BSP RED |
| 20 | 11172800 | 1 | VALVE COVER 363/364 MACHINED RED |
| 21 | 11173200 | 1 | FRONTPART 364, 1½" BSP RED |
| 22 | 14010400 | 1 | PLUG 1/4" BSP |
| 23 | 14120400 | 1 | BANJOBOLT M6 X 19 |
| 24 | 14120700 | 1 | COUNTERWEIGHT 364/464-1000 |
| 25 | 14137300 | 1 | CRANKSHAFT 364/464-5.5 1000 |
| 26 | 14137900 | 1 | CRANKSHAFT 364/464-5.5 GG 1000 |
| 27 | 14137600 | 1 | CRANKSHAFT 364/464-10 |
| 28 | 14138200 | 1 | CRANKSHAFT 364/464-10 GG |
| 29 | 16382900 | 1 | GREASE NIPPLE PLATE, 364 |
| 30 | 16390600 | 1 | BRACKET FOR RPM SENSOR |
| 31 | 16410700 | 1 | PUMP BASE 363/364 BLACK |
| 31 | 17002400 | 1 | FOOT F. 36X PUMP, RED |
| 32 | 24266600 | 1 | O-RING D 38,0 X 4,0 70SH.NITR |
| 33 | 28045503 | 1 | LOCTITE 262 .5ML (.017oz.) |
| 34 | 28163300 | 1 | GREASE NIPPLE H1 M6X1 DIN 7412 |
| 35 | 28163400 | 1 | CAP F. GREASENIPPLE YELLOW M6X1 |
| 36 | 28164600 | 1 | HARDI PUMP GREASE S3 V550L 1 |
| 37 | 32242200 | 1 | FITTING S67 5/4" KON. RG 2014 |
| 38 | 32242300 | 1 | NIPPLE S93 1,5' KON.RG 2014 |
| 39 | 33511400 | 1 | DIAPHRAGM PUMP 361/361/363/364 PUR |
| 40 | 33524300 | 1 | COVER PLASTIC 364 PUMP |
| 41 | 33527200 | 1 | GREASE SPLIT 364/464 |
| 42 | 39136200 | 1 | HALFPART 364/464-1000 |
| 43 | 43099200 | 1 | BOLT HEX SS M12 X 30 DIN933 A4 |
| 44 | 46134000 | 1 | NUT HEX M10x1 H=2.3 NV=14 ELZIN |
| 45 | 61096800 | 1 | BANJOTUBE SHORT 364 COMPL. |
| 46 | 61096900 | 1 | BANJOTUBE LONG 364 COMPL. |
| 47 | 75585900 | 1 | PUMP KIT 364 |
| 48 | 82169500 | 1 | PUMP 364-5.5-MED-1000 |
| 48 | 82169700 | 1 | PUMP 364-5.5-MOD2-1000-OSP |
| 48 | 82170000 | 1 | PUMP 364-10-STD-540 FK |
| 48 | 82170300 | 1 | PUMP 364-10-MOD-540-GG THROUGH SHAFT |
| 48 | 82170400 | 1 | PUMP 364-10-MOD-540-OSP |



SUCTION SIDE OF PUMP

PRESSURE SIDE OF PUMP



COMPLETE PUMP
(NLA) REPLACED BY 364 PUMP (SEE PAGE A0280)

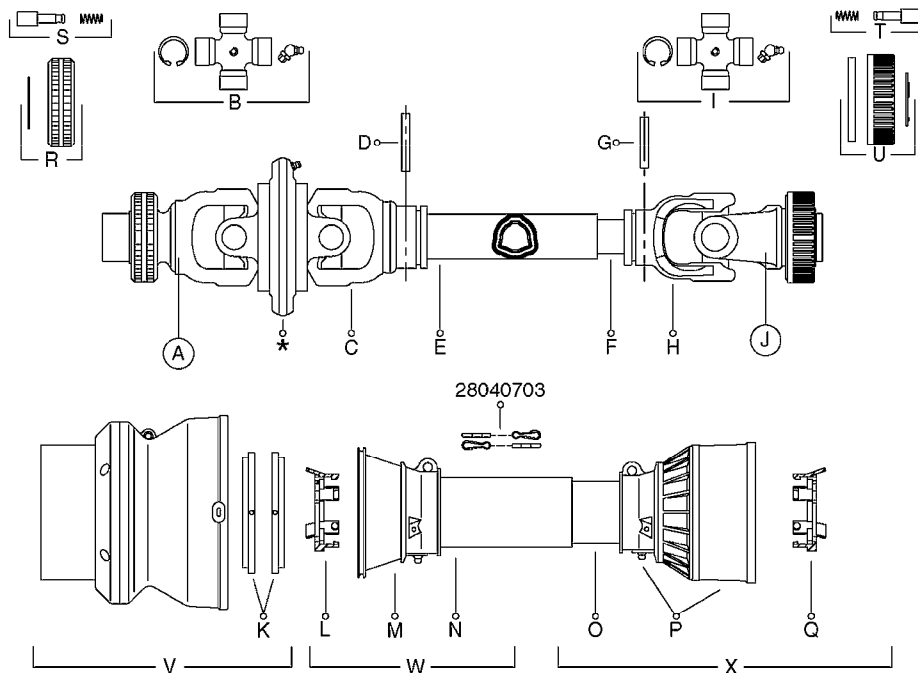
A0300



PUMP - 361/363 FITTINGS
A0300-HIN, 28:05:19

Page 1
Date 07.02.2020 10:55

| parts-n° | order qty | description |
|----------|-----------|----------------------------------|
| 145997 | 1 | FITT.DK S-93 FORK |
| 231022 | 1 | FITT.DK ELB. 1' BSP GF 121 |
| 242351 | 1 | O-RING D69.5X3.0 VITON F.S-93 |
| 242353 | 1 | O-RING 3 X 44.2 VITON |
| 320095 | 1 | FITT.DK NUT 1" BSP |
| 320132 | 1 | FITT.DK HN 1" BSP |
| 320821 | 1 | FITT.DK NUT 1-1/2" BSP |
| 321451 | 1 | FITT.DK ELB.1-1/2 X1-1/4 80DEG |
| 322321 | 1 | FITT.DK S-67 X 1"BSP MALE |
| 322322 | 1 | FITT.DK S-67 X 1-1/4"BSP MALE |
| 322323 | 1 | FITT.DK S-93 X 1-1/2"BSP MALE |
| 330326 | 1 | O-RING D30/D24X2 F.1"NUT |
| 330341 | 1 | FITT.DK HB 1" F. 1" NUT |
| 331262 | 1 | FITT.DK HB 1-1/2" F. 1-1/2"NUT |
| 331273 | 1 | O-RING D44/D38X2 F.1-1/2" |
| 334243 | 1 | FITT.DK S-67 ELB.1" |
| 334410 | 1 | PROTECTION PUM |
| 334445 | 1 | FITT.DK S-67 ELB.1-1/2" |
| 334647 | 1 | FITT.DK S93 ELB 1-1/2" 90 PVC |
| 334680 | 1 | CLAMP HOSE PLASTIC 1" |
| 420917 | 1 | BOLT HEX 8.8 RAW M8X12 FT |
| 459014 | 1 | ALLEN SCREW M8 X 15 GALV.DIN93 |
| 461217 | 1 | NUT HEX M5 LOCK |
| 471074 | 1 | WASHER M8 ELZ |
| 471132 | 1 | WASHER D24/D8.4 X 2 SS |
| 727225 | 1 | FITT.DK S-93 ELB.2'PVC W/ORING |
| 727226 | 1 | FITT. S93 2-1/2" 90° S W/O-RING |
| 14012200 | 1 | FITT.DK S-67 FORK W/M5 THREADS |
| 28030103 | 1 | CLAMP HOSE GEAR P5/4-S1.5"6724 |
| 28030203 | 1 | CLAMP HOSE T-BOLT S2" 235-67 |
| 28030303 | 1 | CLAMP HOSE T-BOLT S2.5" 235-76 |
| 39145300 | 1 | PTO SHIELD Ø203 4-POLET MACHINED |
| 92702603 | 1 | HOSE PVC SUCT GRAY 1-1/2" |
| 92702703 | 1 | HOSE PVC SUCT GRAY 2" |
| 92702803 | 1 | HOSE PVC SUCT GRAY 2.5" |
| 92712403 | 1 | HOSE R X1" X300PSI WP X0012" |



* REPLACE THE ENTIRE PTO IF THIS PART IS DAMAGED

| PTO # | 10639503 | 10639603 | 10639703 | 829444 | 829478 | 829801 |
|-----------|---------------------|---------------------|---------------------|--------------------|---------------------|--------------------|
| TRACTOR | 1-3/8" 21-SPLINE | 1-3/4" 20-SPLINE | 1-3/4" 20-SPLINE | 1-3/8" 6-SPLINE | 1-3/8" 21-SPLINE | 1-3/8" 6-SPLINE |
| IMPLEMENT | 1-3/8" 21-SPLINE | 1-3/8" 21-SPLINE | 1-3/8" 21-SPLINE | 1-3/8" 6-SPLINE | 1-3/8" 21-SPLINE | 1-3/8" 6-SPLINE |
| LENGTH | 1210/1890 | 1210/1890 | 1210/1870 | 1210/1870 | 1210/1870 | 810/1203 |
| A | 28009503 | 28010903 | 28008403 | 10627803 | 28008803 | 10627803 |
| B | 28008903 | 28008903 | 10601203 | 10601203 | 10601203 | 10601203 |
| C | 28010803 | 28010803 | 10627203 | 10627203 | 10627203 | 10627203 |
| D | 28009803 | 28009803 | 10627103 | 10627103 | 10627103 | 10627103 |
| E | 28009003 | 28009003 | 10627003 | 10627003 | 10627003 | 10627003 |
| F | 28009103 | 28009103 | 10627303 | 28017803 | 10627303 | 10627303 |
| G | 28009903 | 28009903 | 10627403 | 10627403 | 10627403 | 10627403 |
| H | 28010103 | 28010103 | 10627503 | 10627503 | 10627503 | 10627503 |
| I | 28009403 | 28009403 | 284042 | 284042 | 284042 | 284042 |
| J | 28010203 | 28010203 | 28008603 | 28017903 | 28008603 | 28017903 |
| K | 28010003 | 28010003 | 10602203 | 10602203 | 10602203 | 10602203 |
| L | 28010403 | 28010403 | 10601703 | 10601703 | 10601703 | 10601703 |
| M | 28010503 | 28010503 | 10601803 | 10601803 | 28018003 | 10601803 |
| N | 28009203 | 28009203 | 10596103 | 10596103 | 10596103 | 10596103 |
| O | 28009303 | 28009303 | 10596203 | 10596203 | 10596203 | 10596203 |
| P | 28010603 | 28010603 | 10601903 | 10601903 | 10601903 | 10601903 |
| Q | 28010703 | 28010703 | 10602003 | 10602003 | 10602003 | 10602003 |
| R | 10628003 | 28008503 | 28008503 | 10628003 | 10628003 | 10628003 |
| S | 10627703 | 28017303 | 28017303 | 10627703 | 28018103 | 10627703 |
| T | 10627703 | 10627703 | 10627703 | 10627703 | 10627703 | 10627703 |
| U | 28009603 | 28009603 | 28008703 | XXXXXXXX | 28008703 | XXXXXXXX |
| V | 28010303 | 28010303 | 10602303 | 10602303 | 10602303 | 10602303 |
| W | 28017103 | 28017103 | 28017403 | 28017403 | 28017403 | 28017403 |
| X | 28017203 | 28017203 | 28017503 | 28017503 | 28017503 | 28017503 |

COMPLETE ASSEMBLIES
WHOLEGOODS ITEMS

A0550

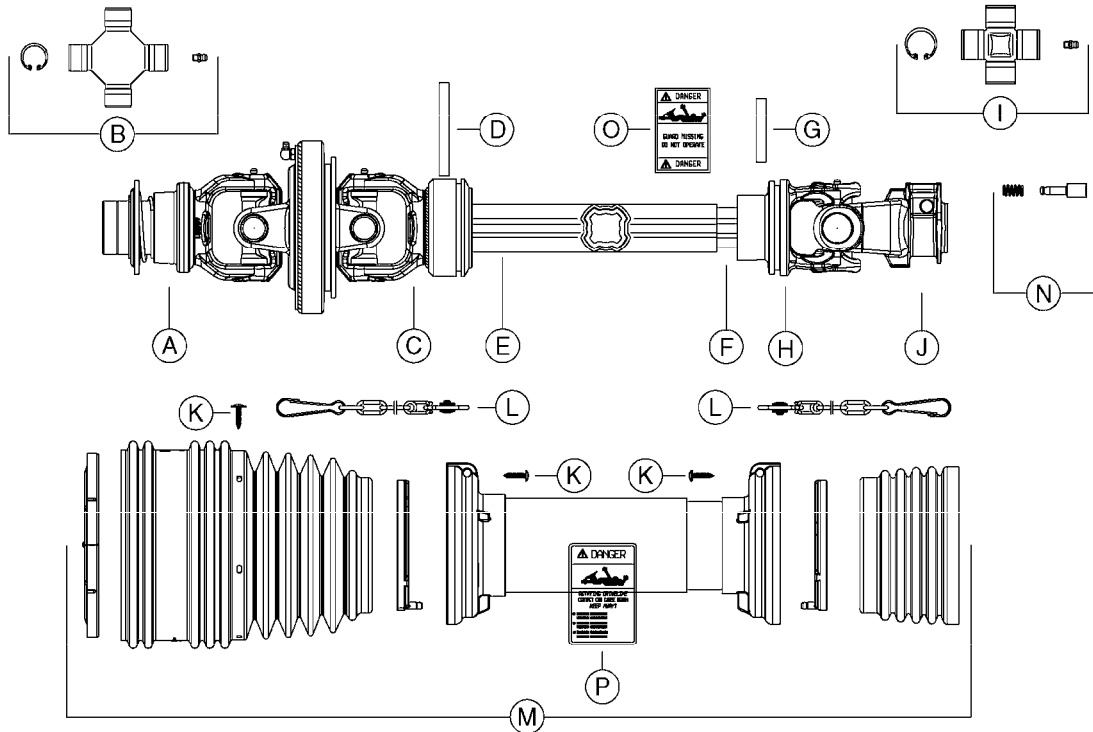


C.V.PTO SHAFTS YELLOW (PRE'05)
A0550-HIN, 01:01:16

Page 1

Date 07.02.2020 10:55

| parts-n° | order qty | description |
|----------|-----------|--|
| 284042 | 1 | UNIV. JOINT 30x92mm |
| 829444 | 1 | PTO 1-3/8/6X1-3/8/6x1210MM HAC |
| 829478 | 1 | PTO 1-3/8/21x1210 TF |
| 829801 | 1 | PTO 1-3/8/6 X 1-3/8/6 CV |
| 10596103 | 1 | PTO SHIELD OUTER 1000x82mm OD |
| 10596203 | 1 | PTO SHIELD INNER 1000x75mm OD |
| 10601203 | 1 | UNIV. JOINT 30.2x99.4mm TWIN |
| 10601703 | 1 | SHIELD BGR.F.OUTER TUBE CV TWI |
| 10601803 | 1 | SHIELD CONE F.OUTER TUBE CV |
| 10601903 | 1 | SHIELD CONE F.INNER TUBE CV TW |
| 10602003 | 1 | SHIELD BGR.F.INNER TUBE CV TWI |
| 10602203 | 1 | SHIELD RETAINER F.CV TWIN PTO |
| 10602303 | 1 | SHIELD CONE F.CV END TWIN |
| 10627003 | 1 | PTO TUBE OUTER F.CV PTO SHAFT |
| 10627103 | 1 | PTO PIN TUBE RETAINER CV OUTER |
| 10627203 | 1 | PTO YOKE OUTER F.CV PTO SHAFT |
| 10627303 | 1 | PTO TUBE INNER F.CV PTO SHAFT |
| 10627403 | 1 | PTO TUBE RETAINER CV INNER |
| 10627503 | 1 | PTO YOKE F.INNER TUBE CV PTO |
| 10627703 | 1 | PTO PIN KIT F. CV PTO SHAFT |
| 10627803 | 1 | PTO YOKE 1-3/8X6 SPL SLIP F.CV |
| 10628003 | 1 | PTO REPAIR KIT F.SLIP YOKE CV |
| 10639503 | 1 | PTO 1-3/8/21 alt 28035003 |
| 10639603 | 1 | PTO 1-3/4/20 alt 28035103 |
| 10639703 | 1 | PTO 1-3/4/20X1-3/8/21X1210 TF |
| 28008403 | 1 | PTO YOKE 1-3/4X20SPL SLIP F.CV |
| 28008503 | 1 | PTO REPAIR KIT 1-3/4"SLIP YOKE |
| 28008603 | 1 | PTO YOKE 1-3/8X21SPL |
| 28008703 | 1 | PTO REPAIR KIT 1-3/8"SLIP YOKE |
| 28008803 | 1 | PTO YOKE 1-3/8X21SPL SLIP F.CV |
| 28008903 | 1 | UNIV. JOINT 23.8x86 F.CV PTO |
| 28009003 | 1 | PTO TUBE OUTER F.CV 1060MM |
| 28009103 | 1 | PTO TUBE INNER F.CV 1060MM |
| 28009203 | 1 | PTO SHIELD OUTER 1007x67mm OD |
| 28009303 | 1 | PTO SHIELD INNER 1007x60mm OD |
| 28009403 | 1 | UNIV. JOINT 27x74.6mm |
| 28009503 | 1 | PTO YOKE 1-3/8X21SPL 28027703 |
| 28009603 | 1 | PTO REPAIR KIT 1-3/8"SLIP YOKE |
| 28009803 | 1 | PTO PIN TUBE RETAINER OUTER |
| 28009903 | 1 | PTO TUBE RETAINER INNER |
| 28010003 | 1 | SHIELD RETAINER F.CV TF PTO |
| 28010103 | 1 | PTO YOKE F.INNER TUBE CV PTO |
| 28010203 | 1 | PTO YOKE 1-3/8X21SPL |
| 28010303 | 1 | SHIELD CONE F.CV END TF |
| 28010403 | 1 | SHIELD BGR.F.OUTER TUBE CV TF |
| 28010503 | 1 | SHIELD CONE F.OUTER TUBE CV TF |
| 28010603 | 1 | SHIELD CONE F.INNER TUBE CV TF |
| 28010703 | 1 | SHIELD BGR.F.INNER TUBE CV TF |
| 28010803 | 1 | PTO YOKE INNER F.CV PTO SHAFT |
| 28010903 | 1 | PTO YOKE 1-3/4X20SPL SLIP F.CV |
| 28017103 | 1 | PTO HALF SAFETY SHIELD |
| 28017203 | 1 | PTO HALF SAFETY SHIELD |
| 28017303 | 1 | PTO PIN KIT F. CV PTO SHAFT |
| 28017403 | 1 | PTO HALF SAFETY SHIELD |
| 28017503 | 1 | PTO HALF SAFETY SHIELD |
| 28017803 | 1 | PTO TUBE INNER F.CV |
| 28017903 | 1 | PTO YOKE 1-3/8X6SPL |
| 28018103 | 1 | PTO PIN KIT F. CV PTO SHAFT |
| 28040703 | 1 | SAFETY CHAIN F.CV BLACK PTO (SET OF 2) |



**COMPLETE ASSEMBLIES
WHOLEGOODS ITEMS**



| PTO # | 28035203 | 28035303 | 28035403 | 28035503 |
|-----------|------------------|-----------------|------------------|-----------------|
| TRACTOR | 1-3/4" 20 SPLINE | 1-3/8" 6 SPLINE | 1-3/8" 21 SPLINE | 1-3/8" 6 SPLINE |
| IMPLEMENT | 1-3/8" 21 SPLINE | 1-3/8" 6 SPLINE | 1-3/8" 21-SPLINE | 1-3/8" 6 SPLINE |
| LENGTH | 1210/1890 | 1210/1890 | 1210/1890 | 810/1220 |
| A | 28042003 | 28043303 | 28111503 | 28043303 |
| B | 28042103 | 28089203 | 28042103 | 28089203 |
| C | 28042203 | 28042203 | 28042203 | 28042203 |
| D | 28042303 | 28042303 | 28042303 | 28042303 |
| E | 28042403 | 28042403 | 28042403 | 28089303 |
| F | 28042503 | 28111403 | 28111403 | 28089403 |
| G | 28100003 | 28100003 | 28100003 | 28100003 |
| H | 28042603 | 28042603 | 28042603 | 28042603 |
| I | 28042803 | 28042803 | 28042803 | 28042803 |
| J | 28042703 | 28089503 | 28042703 | 28089503 |
| K | 28040903 | 28099803 | 28099803 | 28040903 |
| L | 28042903 | 28042903 | 28042903 | 28042903 |
| M | 28111303 | 28111303 | 28111303 | 28110503 |
| N | 28043003 | 10627703 | 10627703 | 10627703 |
| O | 28041803 | 28041803 | 28041803 | 28041803 |
| P | 28041903 | 28041903 | 28041903 | 28041903 |

A0570

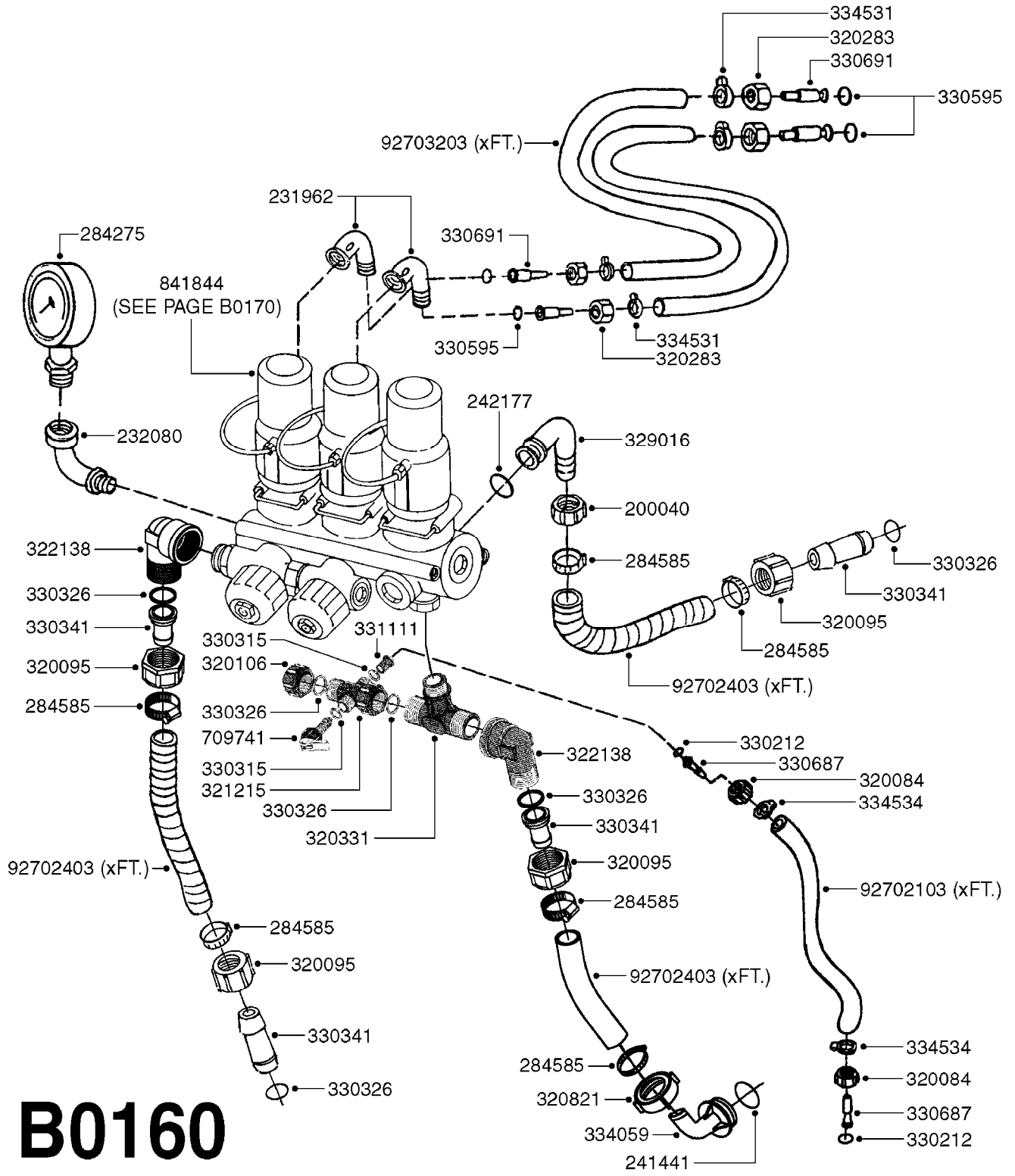
* Changed in 2016 from 100 series to G-Series (see page A0610).



C.V.PTO-BLACK SQUARE (POST'05)
A0570-HIN, 23:08:19

Page 1
Date 07.02.2020 10:55

| parts-n° | order qty | description |
|----------|-----------|---|
| 10627703 | 1 | PTO PIN KIT F. CV PTO SHAFT |
| 28035203 | 1 | PTO 1-3/4/20X1-3/8/21X1210 CVH |
| 28035303 | 1 | PTO 1-3/8/6 X1-3/8/6 X1210 CVH |
| 28035403 | 1 | PTO 1-3/8/21X1-3/8/21X1210 CVH |
| 28035503 | 1 | PTO 1-3/8/6 X1-3/8/6 X 810 CVH |
| 28040903 | 1 | SELF TAPPING SHIELDING SCREW |
| 28041803 | 1 | DECAL DANGER GUARD MISSING |
| 28041903 | 1 | DECAL DANGER ROT.DRIVELINE |
| 28042003 | 1 | PTO YOKE 1-3/4X20SPL SLIP F.CV |
| 28042103 | 1 | UNIV. JOINT 27x100mm F.CV BLK. |
| 28042203 | 1 | PTO YOKE INNER F.CV PTO SHAFT |
| 28042303 | 1 | ROLL PIN |
| 28042403 | 1 | PTO TUBE OUTER F.CV PTO SHAFT |
| 28042503 | 1 | PTO TUBE INNER F.CV PTO SHAFT |
| 28042603 | 1 | PTO YOKE F.INNER TUBE CV PTO |
| 28042703 | 1 | PTO YOKE 1-3/8X21SPL BLACK |
| 28042803 | 1 | UNIV. JOINT 30.2x79.4mm F/BLK. |
| 28042903 | 1 | SAFETY CHAIN F.CV BLACK PTO |
| 28043003 | 1 | PTO REPAIR KIT F.PUSH YOKE CV |
| 28043303 | 1 | PTO YOKE 1-3/8X6 SPL SLIP F.CV |
| 28089203 | 1 | UNIV.JOINT 27X100MM F.CV |
| 28089303 | 1 | PTO TUBE OUTER 655X53.9 OD |
| 28089403 | 1 | PTO TUBE INNER 670X47.4 OD |
| 28089503 | 1 | PTO YOKE 1-3/8X6 SPL SLIP F.CV |
| 28099803 | 1 | SELF TAPPING SCREW 4.8X22 |
| 28100003 | 1 | ROLL PIN 10X65 |
| 28110503 | 1 | PTO SHIELD COMPLETE F.28035503 |
| 28111303 | 1 | PTO SHIELD COMPLETE F.28035203-28035403 |
| 28111403 | 1 | PTO TUBE INNER F.CV PTO SHAFT |
| 28111503 | 1 | PTO YOKE 1-3/8"X21 RT F.CV |



B0160

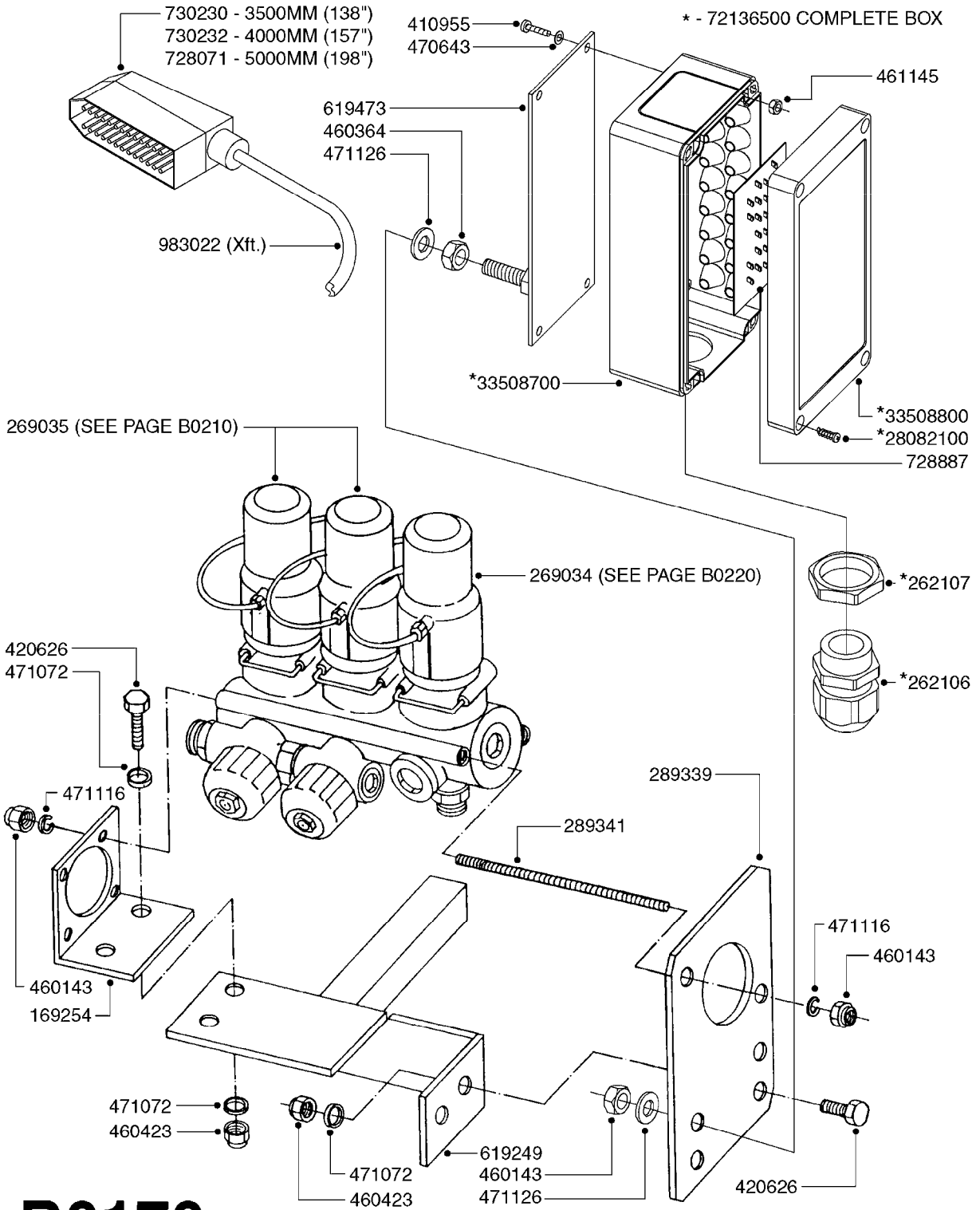


CB/2 CONTROL - ELECTRIC
B0160-HIN, 01:01:16

Page 1

Date 07.02.2020 10:55

| parts-n° | order qty | description |
|----------|-----------|--------------------------------|
| 200040 | 1 | FITT. ARAG 1" |
| 231962 | 1 | ELBOW BRASS 1/2" |
| 232080 | 1 | FITT. ELBOW 1/2"BSP M/F BRASS |
| 241441 | 1 | O-RING D29.3X3 |
| 242177 | 1 | O-RING D25.4 X 20.2 X 2.6 |
| 284275 | 1 | GAUGE 4"SS BOT.PSI200 28026103 |
| 284585 | 1 | CLAMP HOSE GEAR 1" MINI 020 |
| 320084 | 1 | FITT.DK NUT 1/2" BSP |
| 320095 | 1 | FITT.DK NUT 1" BSP |
| 320106 | 1 | FITT.DK CAPNUT 1" BSP |
| 320283 | 1 | FITT.DK NUT 3/4"BSP |
| 320331 | 1 | FITT.DK TEE 1" - 1" - 3/4" BSP |
| 320821 | 1 | FITT.DK NUT 1-1/2" BSP |
| 321215 | 1 | FITT.DK HOUSING F. AGITATION |
| 322138 | 1 | FITT.DK ELB 1"M X 1"F BSP |
| 329016 | 1 | BØJNING |
| 330212 | 1 | O-RING D19/D14X2.4 F.1/2"NUT |
| 330315 | 1 | O-RING D18.4/D13X.6 |
| 330326 | 1 | O-RING D30/D24X2 F.1"NUT |
| 330341 | 1 | FITT.DK HB 1" F. 1" NUT |
| 330595 | 1 | O-RING D24.6/D20X2.1 -3/4" |
| 330687 | 1 | FITT.DK HB 1/2" F. 1/2" NUT |
| 330691 | 1 | FITT.DK HB 3/4'F.3/4' NUT |
| 331111 | 1 | VALVE SEAT FOR 1/2" DISTRIBUT. |
| 334059 | 1 | FITT.DK EL 1" 110 DEG.F.1-1/2" |
| 334531 | 1 | CLAMP HOSE PLASTIC 3/4" |
| 334534 | 1 | CLAMP HOSE PLASTIC 1/2" |
| 709741 | 1 | VALVE ASSY. 1/2" FLIP LEVER |
| 841844 | 1 | OP.UNIT CB/2 |
| 92702103 | 1 | HOSE R X1/2" X300PSI WP X0012" |
| 92702403 | 1 | HOSE PVC SUCT GRAY 1" |
| 92703203 | 1 | HOSE R X3/4" X300PSI WP X0012" |



B0170

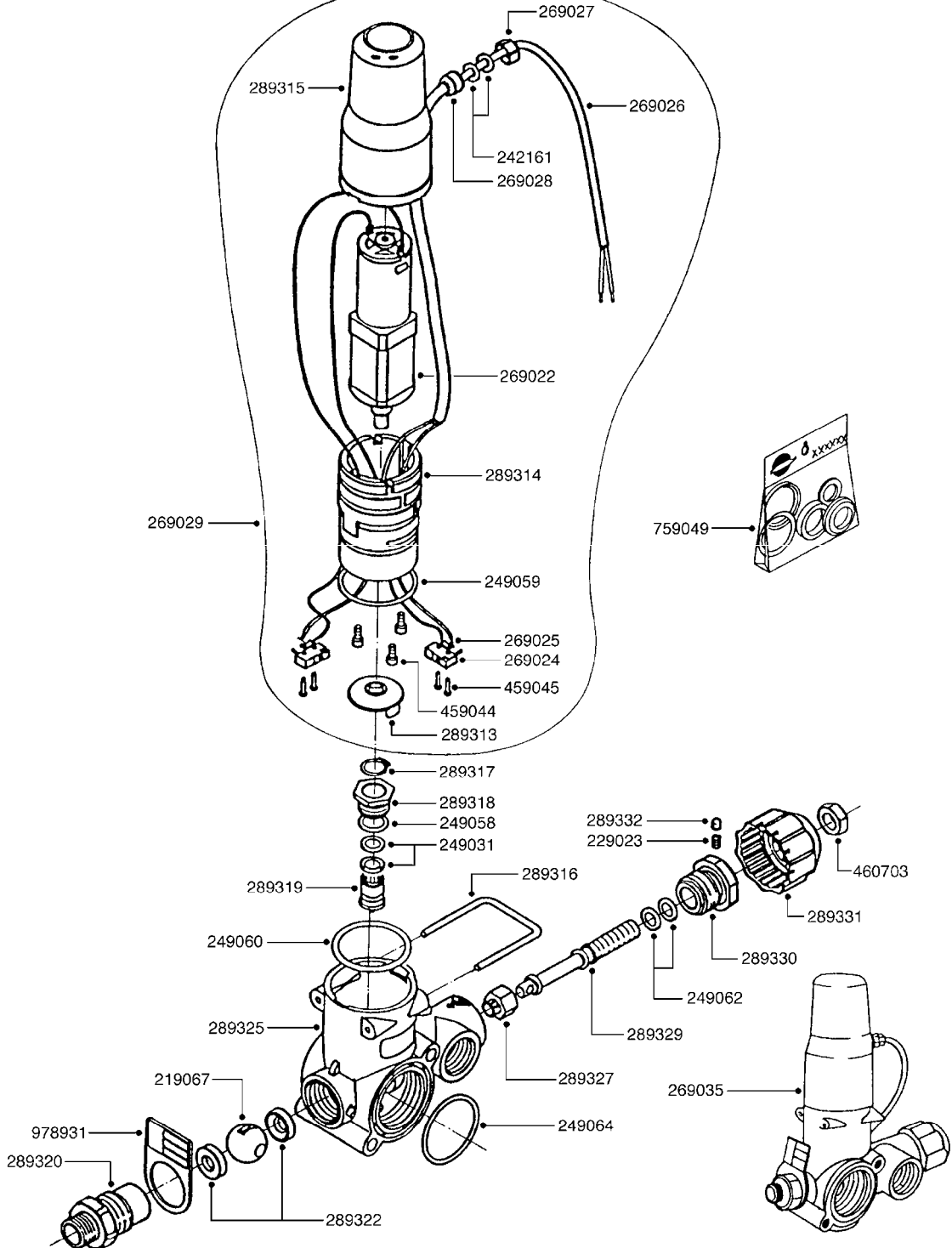


TANGO/BRAVO/CONDOR CB/2 PLUMB.
B0170-HIN, 01:01:16

Page 1

Date 07.02.2020 10:55

| parts-n° | order qty | description |
|----------|-----------|-----------------------------------|
| 169254 | 1 | MOUNT BKT. F.CB/2 RH |
| 262106 | 1 | BULKHEAD F. CABLE 6.5-14 BLACK |
| 262107 | 1 | NUT F. BULKHEAD CABLE GRAY |
| 269034 | 1 | VALVE ASSY. PRESS.REG. CB/2 |
| 269035 | 1 | VALVE ASSY. BOOM SECTION CB/2 |
| 289339 | 1 | MOUNT BKT. F.CB/2 CONTROL LH |
| 289341 | 1 | STUD M8 X 220 |
| 410955 | 1 | BOLT HEX M4X10 |
| 420626 | 1 | BOLT HEX 8.8 DEL M10X20 FT |
| 460143 | 1 | SELF LOCK NUT M8 SST A2 DIN985 |
| 460364 | 1 | NUT HU M8 A2 SS DIN934 |
| 460423 | 1 | NUT HEX M10X1.50 LOCK DIN985A2 SS |
| 461145 | 1 | NUT HEX M4 LOCK |
| 470643 | 1 | WASHER LOCK |
| 471072 | 1 | WASHER M10 EL2 |
| 471116 | 1 | WASHER D8 TENSION |
| 471126 | 1 | WASHER, M8, Ø16/ 8.4X 1.6, SS |
| 619249 | 1 | MOUNT BKT. F.CB/2 CONTROL |
| 619473 | 1 | PLATE F.CONNECTION BOX/TANGO |
| 728071 | 1 | CABLE F.CONTROL BOX 5M EC/4 |
| 728887 | 1 | CIRCUIT BOARD EC CONTROL |
| 730230 | 1 | CABLE F.CONTROL BOX 3.5M EC/4 |
| 730232 | 1 | CABLE F.CONTROL BOX 4M EC/4 |
| 983022 | 1 | WIRE 12 x 0.5 x 2MM x 12" |
| 28082100 | 1 | SCREW F. BOX LID 1/4" L=20 |
| 33508700 | 1 | BOX BOTTOM 160X80X40 BLACK 1-HOLE |
| 33508800 | 1 | LID 160X80X15 BLK W/SCREWS |
| 72136500 | 1 | UNIV. CONNECTION BOX F. EC |



B0210

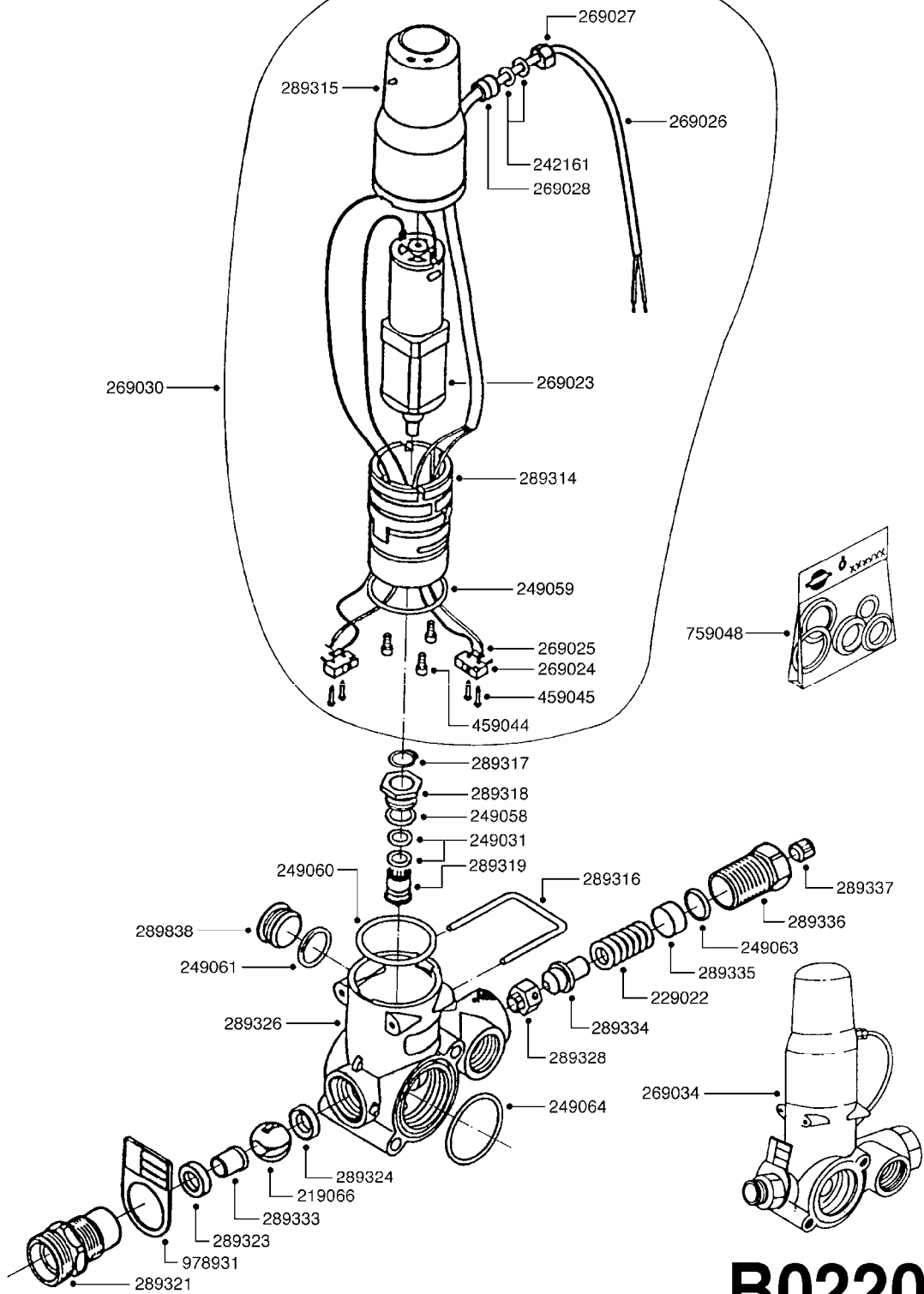


BOOM SECTION VALVE - CB/2
B0210-HIN, 01:01:16

Page 1

Date 07.02.2020 10:55

| parts-n° | order qty | description |
|----------|-----------|-----------------------------------|
| 219067 | 1 | BALL F.VALVE CB/2 |
| 229023 | 1 | SPRING FOR CB/2 VALVE DIAL |
| 242161 | 1 | O-RING 6 X 3.0 |
| 249031 | 1 | O-RING |
| 249058 | 1 | O-RING |
| 249059 | 1 | O-RING D47.3 X 2.62 |
| 249060 | 1 | O-RING |
| 249062 | 1 | O-RING |
| 249064 | 1 | O-RING |
| 269022 | 1 | CB/2 MOTOR F.SECTION VALVE |
| 269024 | 1 | MICRO SWITCH F. CB/2 MOTOR |
| 269025 | 1 | DIODE 180.306.1 |
| 269026 | 1 | ELECTRIC CABLE |
| 269027 | 1 | NUT F.CABLE LOCK |
| 269028 | 1 | GROMMET |
| 269029 | 1 | MOTOR UNIT CB/2 SECTION VALVE |
| 269035 | 1 | VALVE ASSY. BOOM SECTION CB/2 |
| 289313 | 1 | PACKING CAP F. CB/2 SECT. VLV. |
| 289314 | 1 | MOTOR HOUSING CB/2 |
| 289315 | 1 | MOTOR HOUSING LID CB/2 |
| 289316 | 1 | U-CLAMP |
| 289317 | 1 | SNAP RING |
| 289318 | 1 | GUIDE M20 x 1.5 |
| 289319 | 1 | HINGED D. 14.95 x 9.2 |
| 289320 | 1 | OUTLET FITT.3/4"BSP SECT.VLV. |
| 289322 | 1 | SEAT F.BALL CB/2 VALVE |
| 289325 | 1 | HOUSING F.SECT.VLV.CB/2 |
| 289327 | 1 | BUSHING CH-17 M11 x 1 D 8.5 |
| 289329 | 1 | ADJUSTMENT HINGE |
| 289330 | 1 | CONNECTION PIECE D 35 M12 |
| 289331 | 1 | KNOB F.CONSTANT PRESS. CB/2 |
| 289332 | 1 | BUUBLE D.5 |
| 459044 | 1 | SCREW |
| 459045 | 1 | SCREW |
| 460703 | 1 | NUT HEX M12X1.75 LOCK DIN985A2 SS |
| 759049 | 1 | REPAIR KIT CB/2 BOOM SEC.VALVE |
| 978931 | 1 | I.D. TAG |



B0220

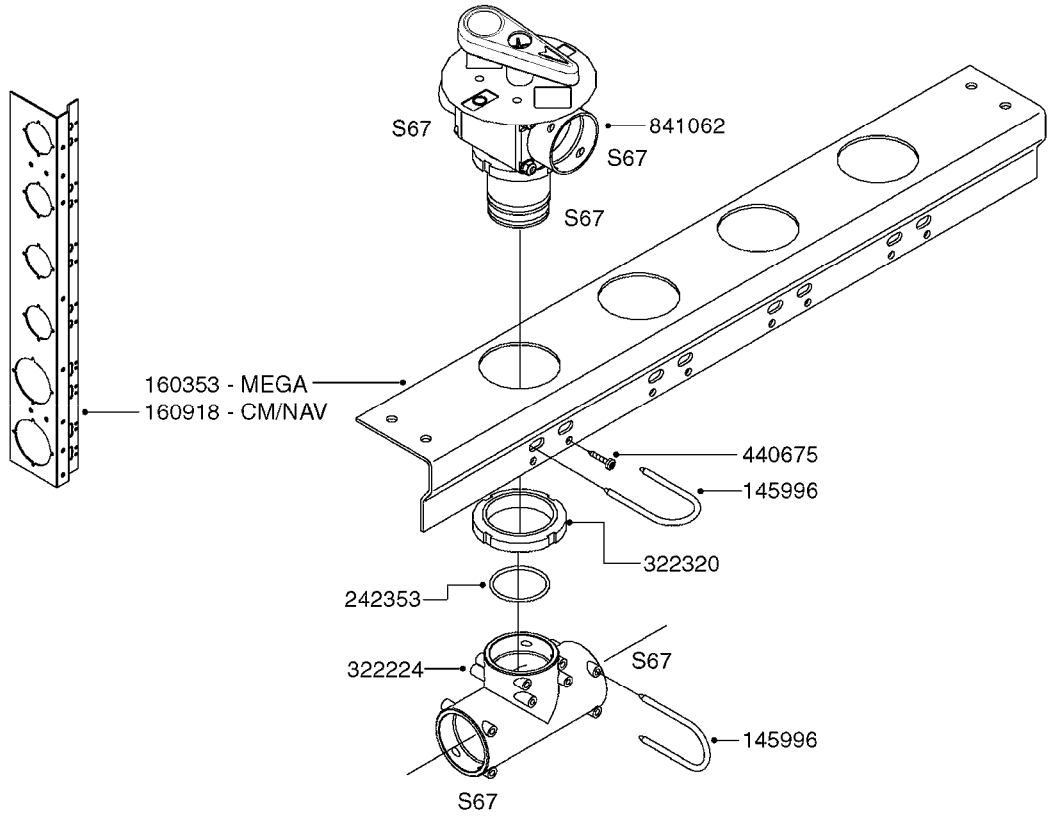


PRESSURE REG. VALVE - CB/2
B0220-HIN, 01:01:16

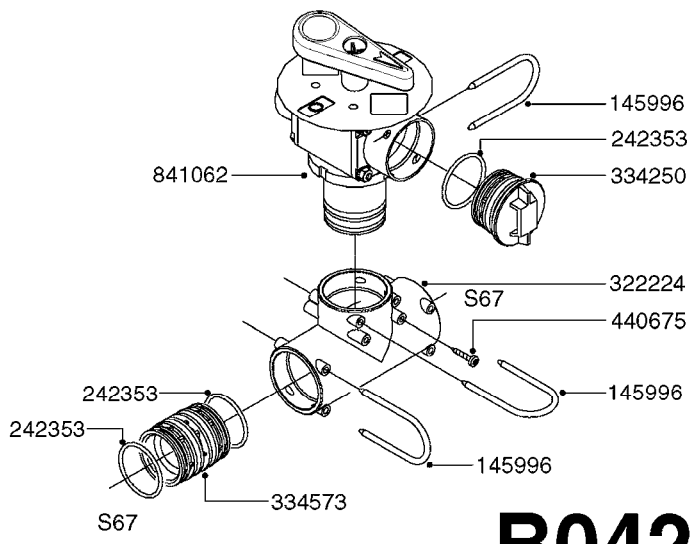
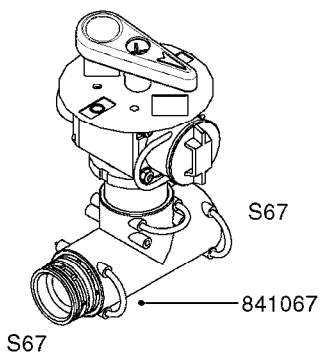
Page 1

Date 07.02.2020 10:55

| parts-n° | order qty | description |
|----------|-----------|--------------------------------|
| 219066 | 1 | BALL F.VALVE CB/2 |
| 229022 | 1 | SPRING FOR CB/2 VALVE DIAL |
| 242161 | 1 | O-RING 6 X 3.0 |
| 249031 | 1 | O-RING |
| 249058 | 1 | O-RING |
| 249059 | 1 | O-RING D47.3 X 2.62 |
| 249060 | 1 | O-RING |
| 249061 | 1 | O-RING |
| 249063 | 1 | SEAL |
| 249064 | 1 | O-RING |
| 269023 | 1 | CB/2 MOTOR F.PRESSURE VALVE |
| 269024 | 1 | MICRO SWITCH F. CB/2 MOTOR |
| 269025 | 1 | DIODE 180.306.1 |
| 269026 | 1 | ELECTRIC CABLE |
| 269027 | 1 | NUT F.CABLE LOCK |
| 269028 | 1 | GROMMET |
| 269030 | 1 | MOTOR UNIT CB/2 PRESS. REG. |
| 269034 | 1 | VALVE ASSY. PRESS.REG. CB/2 |
| 289314 | 1 | MOTOR HOUSING CB/2 |
| 289315 | 1 | MOTOR HOUSING LID CB/2 |
| 289316 | 1 | U-CLAMP |
| 289317 | 1 | SNAP RING |
| 289318 | 1 | GUIDE M20 x 1.5 |
| 289319 | 1 | HINGED D. 14.95 x 9.2 |
| 289321 | 1 | OUTLET FITT.3/4"BSP PRESS.REG |
| 289323 | 1 | SEAT F.BALL CB/2 VALVE |
| 289324 | 1 | SEAT F.BALL CB/2 VALVE |
| 289326 | 1 | MOTOR HOUSING F.PRES.REG.CB/2 |
| 289328 | 1 | NUT F.PRESS.REG VALVE CB/2 |
| 289333 | 1 | SLEEVE F.BALL SEAT CB/2 |
| 289334 | 1 | REG.F.PRESS.REG VALVE CB/2 |
| 289335 | 1 | SPACER F.PRESS.REG VALVE CB/2 |
| 289336 | 1 | SPRING RET.CAP F.VALVE CB/2 |
| 289337 | 1 | NUT F.PRESS.REG VALVE CB/2 |
| 289838 | 1 | CAP F.PRESS.REG VALVE CB/2 |
| 459044 | 1 | SCREW |
| 459045 | 1 | SCREW |
| 759048 | 1 | REPAIR KIT CB/2 PRESS.REG.VALV |
| 978931 | 1 | I.D. TAG |



FOR S67 FITTINGS
SEE PAGE L0100



B0420

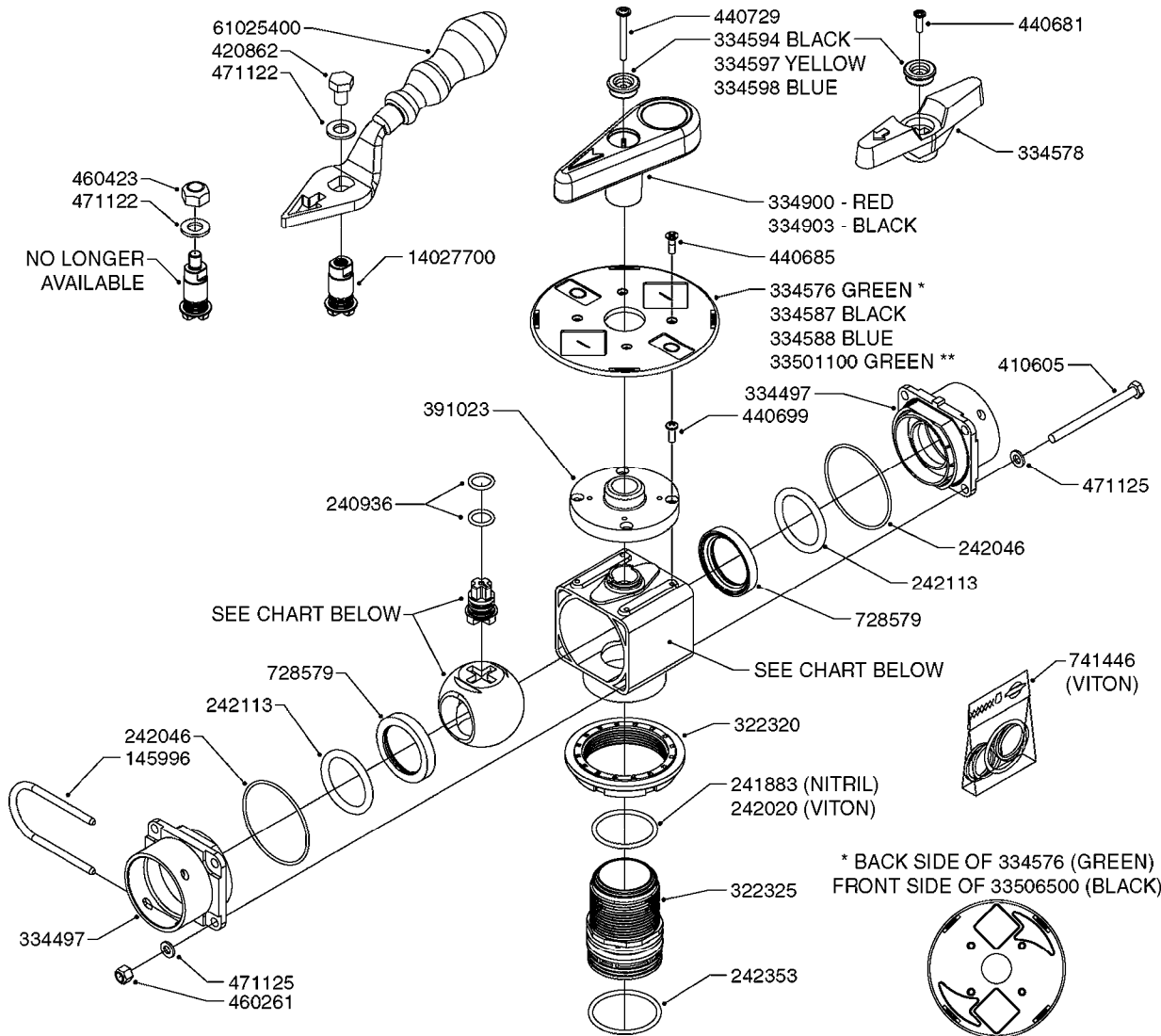


MANIFOLD SYSTEM - PRESSURE
B0420-HIN, 01:01:16

Page 1

Date 07.02.2020 10:55

| parts-n° | order qty | description |
|----------|-----------|--------------------------------|
| 145996 | 1 | FITT.DK S-67 FORK |
| 160353 | 1 | BRACKET F.PRESSURE MANIFOLD |
| 160918 | 1 | BRACKET F. MANIFOLD CM |
| 242353 | 1 | O-RING 3 X 44.2 VITON |
| 322224 | 1 | FITT.DK S-67 TEE |
| 322320 | 1 | NUT F.3 WAY VALVE S56 |
| 334250 | 1 | FITT.DK S-67 PLUG |
| 334573 | 1 | FITT.DK S-67 CONNECTOR |
| 440675 | 1 | SCREW F. PLASTIC 5X16 SS |
| 841062 | 1 | VALVE KIT S67 PRESS. MANIFOLD |
| 841067 | 1 | VALVE S67 PRESS.W/TEE MANIFOLD |



| | | | | | | |
|----------|--------|----------|--------|--------|--------|----------|
| | | | | | - | |
| 728391 | 334594 | 334576 | 390204 | 390623 | - | 334600 |
| 728393 | 334598 | 334588 | 390238 | 390251 | - | 334600 |
| 728945 | 334597 | - | 390262 | 390777 | - | 334600 |
| 729796 | 334594 | 334587 | 390204 | 390623 | - | 334600 |
| 840062 | 334594 | 334576 | 391180 | 390623 | - | 334600 |
| 841062 | 334594 | 334576 | 390204 | 390623 | - | 334600 |
| 72113700 | 334594 | 334576 | 391180 | 390623 | - | 334600 |
| 72172100 | - | 33501100 | 391039 | 390623 | 391023 | 14027700 |
| 72172200 | - | - | 391039 | 390623 | - | 334600 |
| 72283600 | 334594 | 33506500 | 391180 | 390623 | 391023 | 334600 |
| 72292500 | - | - | 391180 | 390623 | - | 14027700 |
| 72538000 | - | - | 391039 | 390623 | 391023 | 14075700 |
| 72691600 | 334594 | 334587 | 390262 | 390623 | - | 334600 |

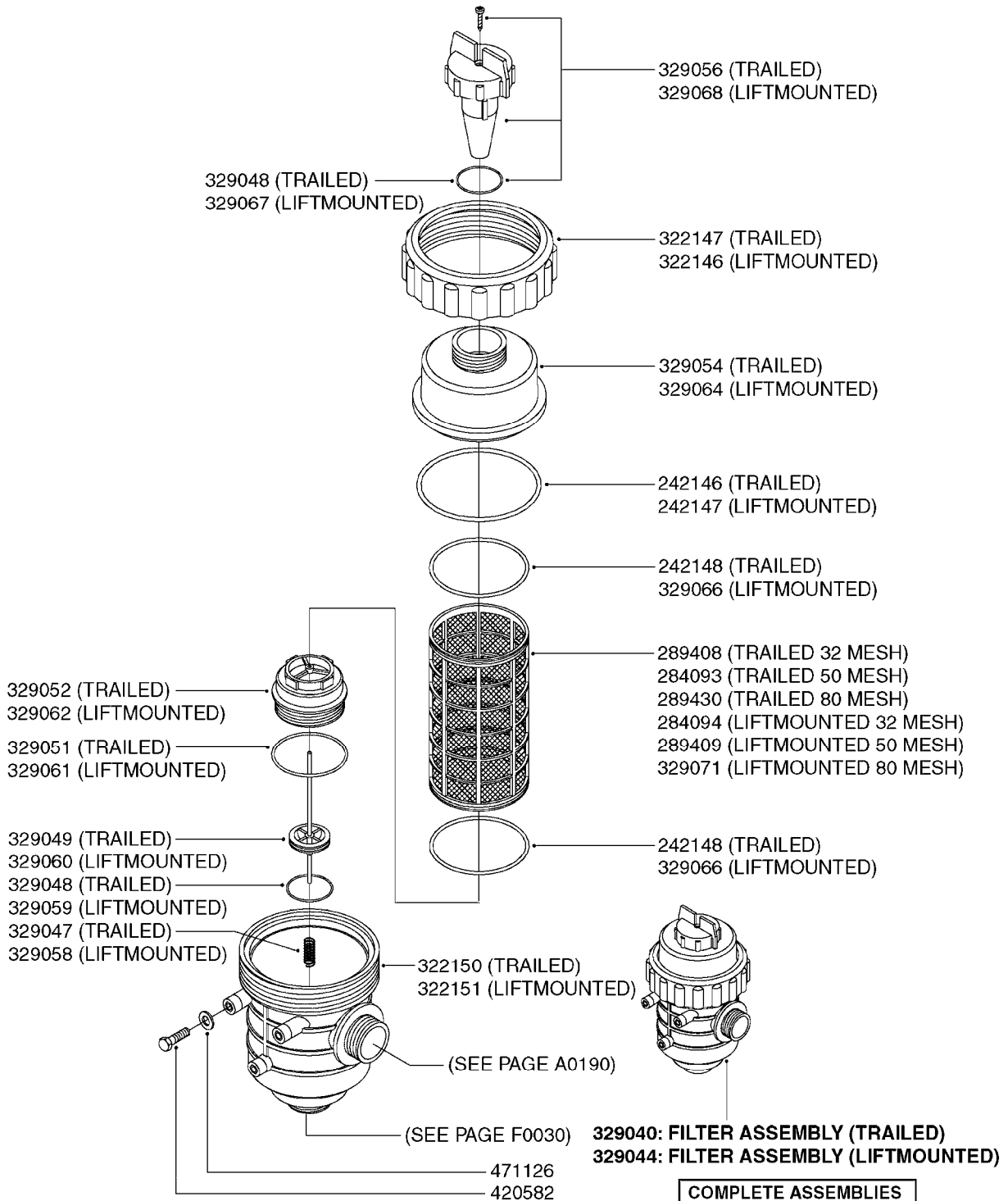
B0430



MANIFOLD - S67 VALVE
B0430-HIN, 12:09:19

Page 1
Date 07.02.2020 10:55

| parts-n° | order qty | description |
|----------|-----------|-----------------------------------|
| 145996 | 1 | FITT.DK S-67 FORK |
| 240936 | 1 | O-RING D13.3X2.4 NITRIL |
| 241883 | 1 | O-RING 3 X 39.2 NITRIL |
| 242020 | 1 | O-RING 39.2 X 3 VITON |
| 242046 | 1 | O-RING D60X2 |
| 242113 | 1 | O-RING D37.5X5.3 VITON |
| 242353 | 1 | O-RING 3 X 44.2 VITON |
| 322320 | 1 | NUT F.3 WAY VALVE S56 |
| 322325 | 1 | FITT.DK S-67 X 1-1/2"BSP LONG |
| 334497 | 1 | END COVER 3 WAY VALVE S-67 |
| 334576 | 1 | FACE PLATE F. BALL VALVE GREEN |
| 334578 | 1 | HANDLE FOR VALVE 'OLD' STYLE |
| 334587 | 1 | FACE PLATE F.BALL VALVE BLACK |
| 334588 | 1 | FACE PLATE F. BALL VALVE BLUE |
| 334594 | 1 | PLUG F.VALVE HANDLE BLACK |
| 334597 | 1 | PLUG F.VALVE HANDLE YELLOW |
| 334598 | 1 | PLUG F.VALVE HANDLE BLUE |
| 334600 | 1 | SPINDLE F.3 WAY VALVE |
| 334900 | 1 | HANDLE F.3 WAY VALVE TALL '00 |
| 334903 | 1 | HANDLE S67/93 VALVE BLACK |
| 390204 | 1 | BALL F. 3 WAY SUCTION VALVE |
| 390238 | 1 | BALL F. 3 WAY PRESSURE VALVE |
| 390251 | 1 | MOTOR HOUSING F. 3-WAY VALVE |
| 390262 | 1 | BALL F. 2 WAY VALVE |
| 390623 | 1 | HOUSING F.3 WAY VALVE |
| 390777 | 1 | HOUSING F.BALL VALVE 3 WAY |
| 391023 | 1 | SMART VALVE MOUNTING BRACKET |
| 391039 | 1 | BALL F. S67 SMART VALVE |
| 391180 | 1 | BALL F. AGITATOR S67 ARE 268 |
| 410605 | 1 | BOLT HEX 8.8 DEL M6X80 |
| 420862 | 1 | BOLT HEX 8.8 DEL M10X16 FT |
| 440681 | 1 | SCREW F. PLASTIC 4MM X 14LG SS |
| 440685 | 1 | SCREW F.PLASTIC 4X14 SS C-SUNK |
| 440699 | 1 | SCREW F. PLASTIC 4MMM X12LG SS |
| 440729 | 1 | SCREW F. PLASTIC 4MM X40LG SS |
| 460261 | 1 | NUT HEX M6X1.00 LOCK DIN985 A2 SS |
| 460423 | 1 | NUT HEX M10X1.50 LOCK DIN985A2 SS |
| 471122 | 1 | WASHER, M10, Ø20/10.5X 2.0, SS |
| 471125 | 1 | WASHER M6U 6.4X14X1.2,A2 SS |
| 728391 | 1 | VALVE S67 PRESSURE MANIFOLD |
| 728393 | 1 | VALVE 3 WAY F.AGITAT.SHUTOFF |
| 728579 | 1 | SEAL F BALL |
| 728945 | 1 | VALVE 2-WAY YELLOW W.S-67 ENDS |
| 729796 | 1 | VALVE S-67 MANUAL D33 J-D |
| 741446 | 1 | REPAIR KIT F.S67 VALVE - VITON |
| 840062 | 1 | VALVE S67 PRESSURE AGITATION |
| 841062 | 1 | VALVE KIT S67 PRESS. MANIFOLD |
| 14027700 | 1 | SPINDLE F.SMART VALVE S67 L=36 |
| 14075700 | 1 | SPINDLE F.SMART VALVE S67 L=81 |
| 33501100 | 1 | FACE PLATE F.SMART VALVE GREEN |
| 33506500 | 1 | FACE PLATE F.BALL VALVE BLACK |
| 61025400 | 1 | HANDLE SMART VALVE |
| 72113700 | 1 | VALVE, VARIABLE AGITATION |
| 72172100 | 1 | VALVE S67 "V1" SMART VALVE |
| 72172200 | 1 | VALVE S67 "V2" SMART VALVE |
| 72283600 | 1 | VALVE S67 AGITATION NCM |
| 72292500 | 1 | VALVE S67 SMART VALVE NEW NAV |
| 72538000 | 1 | VALVE S67, LONG SPINDLE |
| 72691600 | 1 | VALVE, S67, 2-WAY F. FILLER |



B0710



SUCTION FILT.-VINEYARD&ORCHARD
B0710-HIN, 01:01:16

Page 1
Date 07.02.2020 10:55

| parts-n° | order qty | description |
|----------|-----------|--------------------------------|
| 242146 | 1 | O-RING 140 X 126 X 7 |
| 242147 | 1 | O-RING 105,6x95X5.3 |
| 242148 | 1 | O-RING 109.2 X 104 X 2 |
| 284093 | 1 | FILTER SCRN ARAG 50 MESH BLUE |
| 284094 | 1 | FILTER SCRN ARAG 32 MESH WHITE |
| 289408 | 1 | FILTER SCRN ARAG 32 MESH WHITE |
| 289409 | 1 | FILTER SCRN ARAG 50 MESH BLUE |
| 289430 | 1 | FILTER SCRN ARAG 80 MESH RED |
| 322146 | 1 | THREADED RING F/FILTER 170 |
| 322147 | 1 | THREADED RING F/FILTER 200 |
| 322150 | 1 | FILTER CASING 1.5"BSP ARAG |
| 322151 | 1 | FILTER HOUSING 170 |
| 329040 | 1 | FILTER ARAG 1.5" 32 MESH TRAIL |
| 329044 | 1 | FILTER ARAG 1.5" 32 MESH LIFT |
| 329047 | 1 | SPRING F. ARAG FILTER 1-1/2" |
| 329048 | 1 | O-RING F. 1-1/2" FILTER |
| 329049 | 1 | PLUNGER F. ARAG VALVE 1-1/2" |
| 329051 | 1 | O-RING F.ARAG FILTER 1-1/2" |
| 329052 | 1 | FITTING F.ARAG FILTER 1-1/2" |
| 329054 | 1 | FILTER HOUSING LID 1-1/2" |
| 329056 | 1 | YELLOW LOCKING RETAINER 1-1/2" |
| 329058 | 1 | SPRING F. ARAG FILTER 1" |
| 329059 | 1 | O-RING F. 1" FILTER |
| 329060 | 1 | PLUNGER F. ARAG VALVE 1" |
| 329061 | 1 | O-RING F.ARAG FILTER 1" |
| 329062 | 1 | FITTING F.ARAG FILTER 1" |
| 329064 | 1 | FILTER HOUSING LID 1" |
| 329066 | 1 | O-RING F.ARAG FILTER 1" |
| 329067 | 1 | O-RING F. 1" FILTER |
| 329068 | 1 | YELLOW LOCKING RETAINER 1" |
| 329071 | 1 | FILTER SCRN ARAG 80 MESH RED |
| 420582 | 1 | BOLT HEX 8.8 DEL M8X20 FT A2 |
| 471126 | 1 | WASHER, M8, Ø16/ 8.4X 1.6, SS |

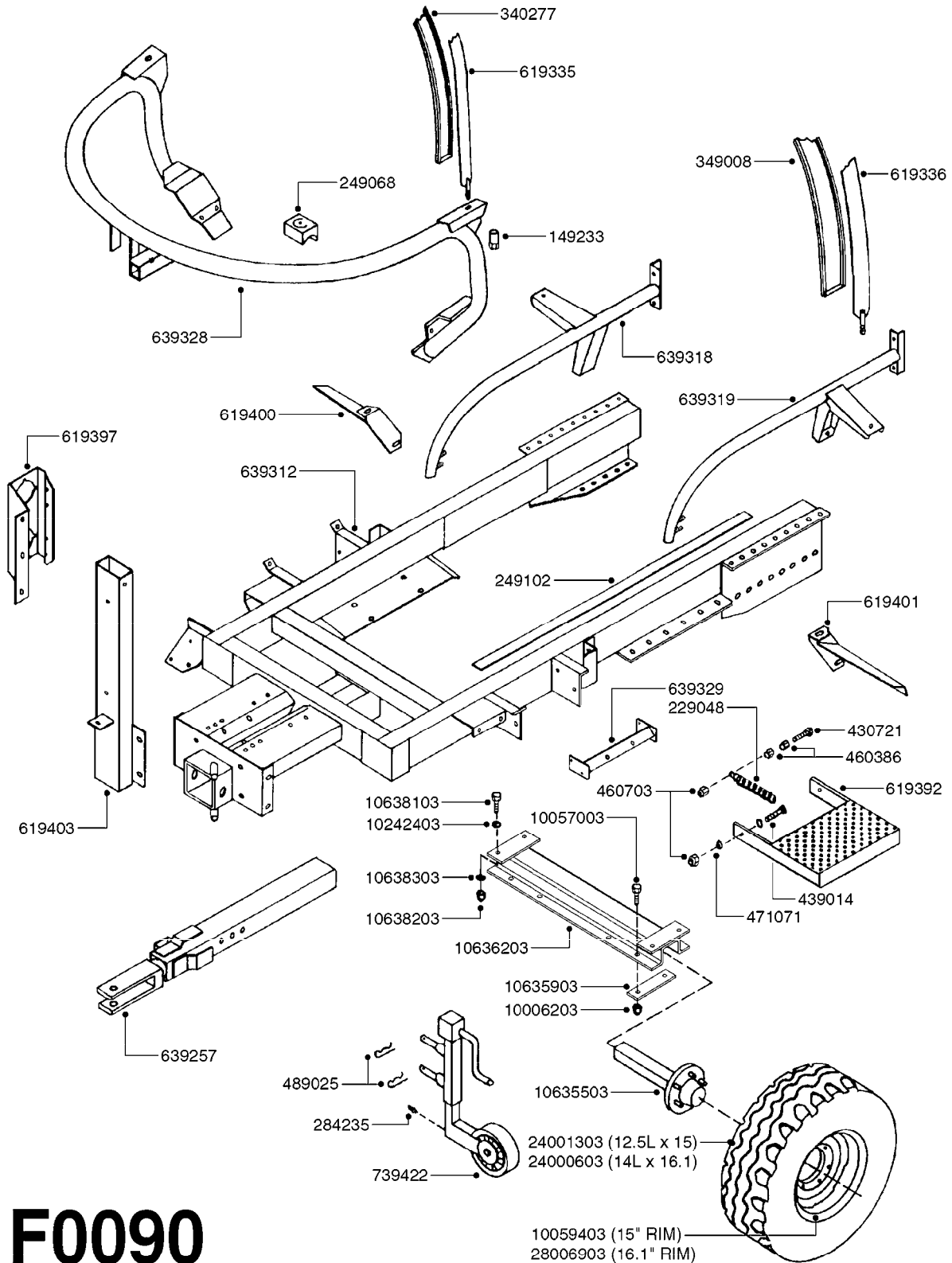


TANK - TANGO/BRAVO/CONDOR 500
F0080-HIN, 01:01:16

Page 1

Date 07.02.2020 10:55

| parts-n° | order qty | description |
|----------|-----------|---|
| 145996 | 1 | FITT.DK S-67 FORK |
| 146339 | 1 | AIRING SCREW D 1.75 |
| 146402 | 1 | UNION NUT 32 MM |
| 149083 | 1 | NIPPLE 3/4" |
| 149084 | 1 | INJECTOR TUBE 3/4" |
| 169345 | 1 | SUCTION FILTER MOUNT BRACKET |
| 231962 | 1 | ELBOW BRASS 1/2" |
| 232067 | 1 | NIPPLE-SOCKET 1/2"X32MM |
| 232077 | 1 | HEX NIPPLE 1/2' BRASS |
| 239034 | 1 | TEE FITTING 3/4" BRASS |
| 239035 | 1 | NIPPLE 1/2"M - 3/4"F |
| 239036 | 1 | NUT 3/4" |
| 239108 | 1 | NIPPLE SOCKET 1/2" |
| 242020 | 1 | O-RING 39.2 X 3 VITON |
| 242353 | 1 | O-RING 3 X 44.2 VITON |
| 249019 | 1 | O-RING 3/4 26X5 |
| 249056 | 1 | GASKET F.LID 289310 D.255 |
| 289310 | 1 | RINSE TANK LID CR/TG |
| 322066 | 1 | FITT.DK S-56 NUT |
| 329038 | 1 | RINSE TANK LID RING CR/TG |
| 329044 | 1 | FILTER ARAG 1.5" 32 MESH LIFT |
| 334099 | 1 | FITT.DK S-61 ELB.1-1/2"110 DEG |
| 334445 | 1 | FITT.DK S-67 ELB.1-1/2" |
| 359144 | 1 | TANK CONDOR 500 GAL. |
| 359145 | 1 | FLUSH TANK CONDOR |
| 359155 | 1 | VENTURI TUBE |
| 420582 | 1 | BOLT HEX 8.8 DEL M8X20 FT A2 |
| 421251 | 1 | BOLT HEX M8X15 |
| 459040 | 1 | SCREW INOX 4.2X25 DIN7981 |
| 459041 | 1 | SCREW |
| 471074 | 1 | WASHER M8 ELZ |
| 471075 | 1 | WASHER M8 LOCK |
| 639262 | 1 | FRONT BRACKET VENTURI |
| 726398 | 1 | VALVE 3-WAY BLACK |
| 727617 | 1 | FITT.DK S-93 BOTTOM VALVE 2' |
| 976183 | 1 | DECAL COMPANY D.18,2 X 29,6 |
| 978933 | 1 | DECAL TANGO |
| 978934 | 1 | DECAL BRAVO |
| 10052203 | 1 | LID VENT ASSY |
| 10064203 | 1 | SET SEALING SPONGE 1 Ft BULK |
| 10102203 | 1 | GASKET F.16" LID BREATHER |
| 28000901 | 1 | FILTER, TOP MAIN TANK, D400 L275 300130 |
| 28014203 | 1 | LID ASSY. (3-PC.) 16" ARAG |
| 28030103 | 1 | CLAMP HOSE GEAR P5/4-S1.5"6724 |
| 92702603 | 1 | HOSE PVC SUCT GRAY 1-1/2" |
| 97600403 | 1 | DECAL CONDOR |



F0090

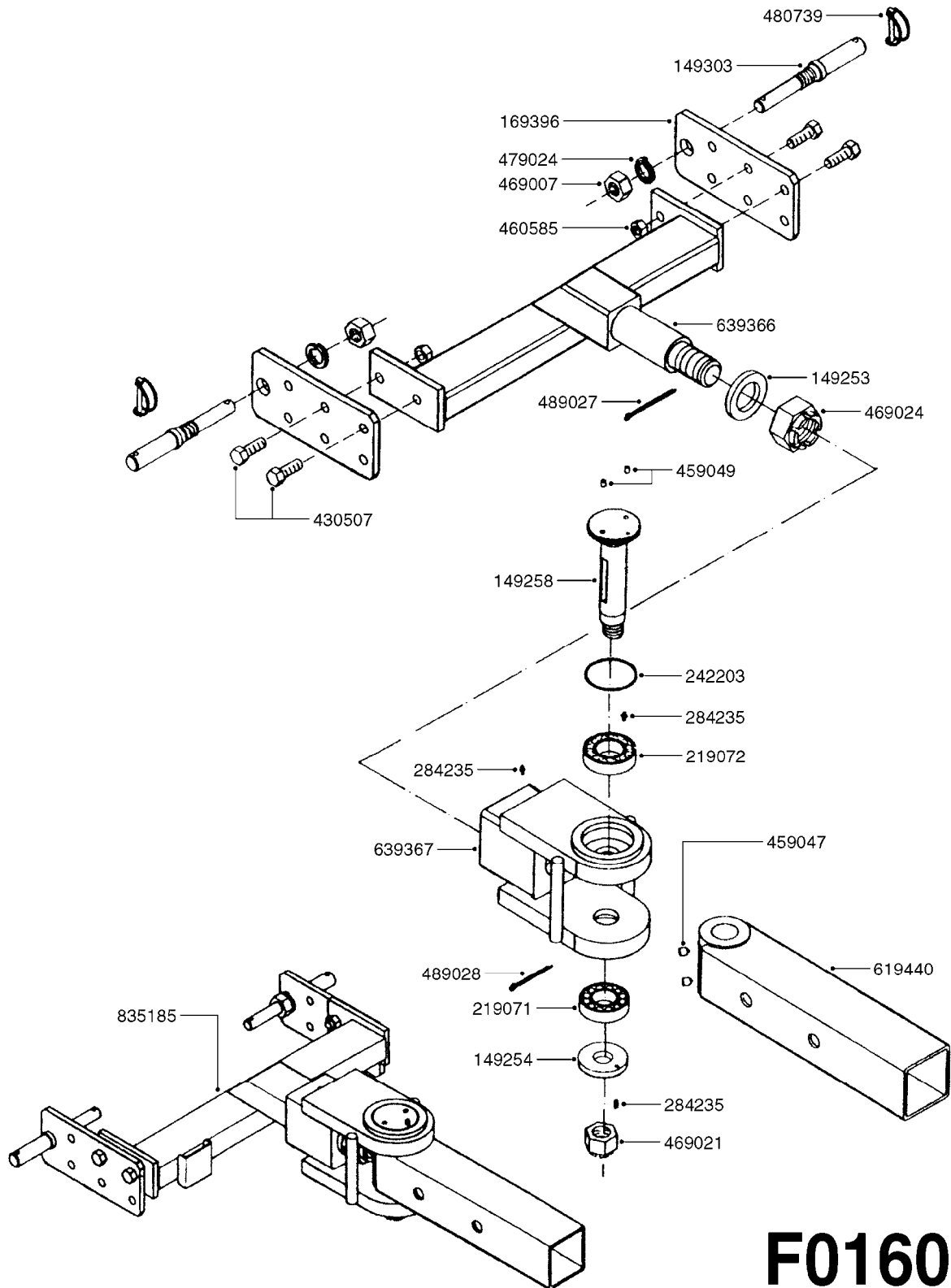


FRAME - TANGO/BRAVO/CONDOR 500
F0090-HIN, 01:01:16

Page 1

Date 07.02.2020 10:55

| parts-n° | order qty | description |
|----------|-----------|-----------------------------------|
| 149233 | 1 | SPACER NUT |
| 229048 | 1 | MR SPRING ADAPTABLE FOOTREST |
| 249068 | 1 | RUBBER BLOCKS 63X63X29 |
| 249102 | 1 | TANK PACKING 15X60 EPDM-70 |
| 284235 | 1 | ENGRASADOR M-6/100 RECTO |
| 340277 | 1 | TANK PACKING - 40mm WIDE x 12" |
| 349008 | 1 | TANK PACKING - 120MM WIDEX12" |
| 430721 | 1 | BOLT HEX 8.8 DEL M12X40 FT |
| 439014 | 1 | BOLT HEX 8.8 DEL M12X35 |
| 460386 | 1 | NUT HEX M12X1.75 |
| 460703 | 1 | NUT HEX M12X1.75 LOCK DIN985A2 SS |
| 471071 | 1 | WASHER M12 GALV |
| 489025 | 1 | 'R' PIN D.4 |
| 619335 | 1 | STEEL TANK STRAP L=1750 X 40 |
| 619336 | 1 | STEEL TANK STRAP L=1950 X 120 |
| 619392 | 1 | FOOT STEP TANGO/BRAVO/CONDOR |
| 619397 | 1 | MANIFOLD BRACKET CONDOR |
| 619400 | 1 | MUD SCRAPER CONDOR RH |
| 619401 | 1 | MUD SCRAPER CONDOR LH |
| 619403 | 1 | FRONT FRAME SUPPORT - CONDOR |
| 639257 | 1 | DRAWBAR F.TANGO/BRAVO/CONDOR |
| 639312 | 1 | FRAME CONDOR 500 GAL. |
| 639318 | 1 | TANK SUPPORT CONDOR 500 - RH |
| 639319 | 1 | TANK SUPPORT CONDOR 500 - LH |
| 639328 | 1 | FRONT TANK SUPPORT-CONDOR 500 |
| 639329 | 1 | FOOT STEP MNT.BRKT. - CONDOR |
| 739422 | 1 | CPL. JACK STAND FOR TANGO |
| 10006203 | 1 | NUT HEX NC LOCK 5/8" |
| 10057003 | 1 | BOLT HEX 5/8 NC GR.5 02.50' |
| 10059403 | 1 | RIM 15X10 X 8-8-6 +1.062OFFSET |
| 10242403 | 1 | WASHER PLATE 9/16 |
| 10635503 | 1 | INSERT ASSY MIST/BLWR 270/500G |
| 10635903 | 1 | CLAMP PLATE F.AXLE M/B 270/500 |
| 10636203 | 1 | AXLE BEAM W/M M/B 270/500G |
| 10638103 | 1 | BOLT HEX 9/16 NF GR5 01.50' |
| 10638203 | 1 | NUT HEX NF 9/16' |
| 10638303 | 1 | WASHER LOCK 9/16' |
| 24000603 | 1 | TIRE 14L X 16.1 8 PLY |
| 24001303 | 1 | TIRE 12.5L-15SL 12 PLY |
| 28006903 | 1 | WHEEL RIM 16.1" X 11" 8-8-6" |



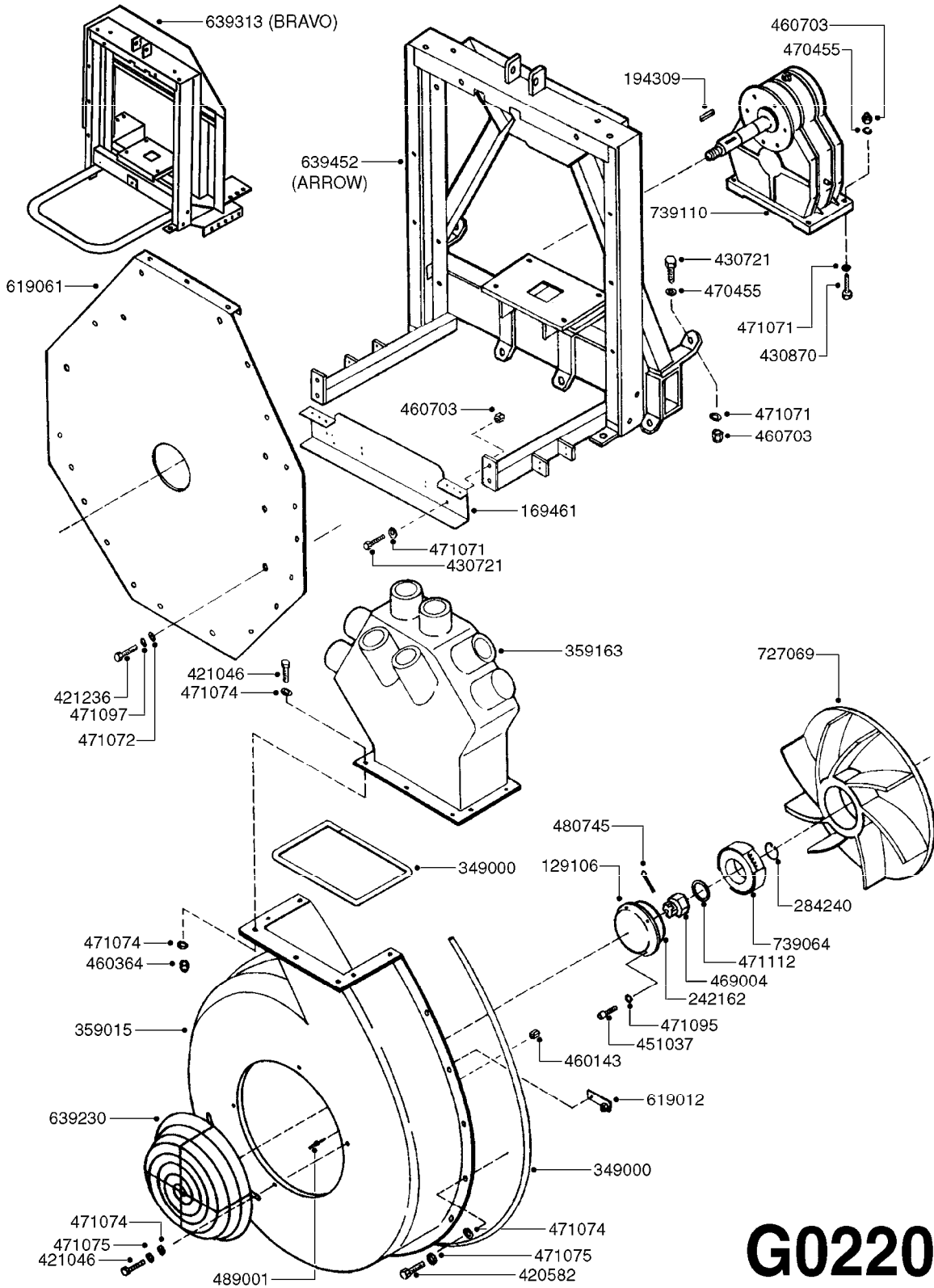


DRAWBAR - TURNABLE HITCH
F0160-HIN, 01:01:16

Page 1

Date 07.02.2020 10:55

| parts-n° | order qty | description |
|----------|-----------|--------------------------------|
| 149253 | 1 | WASHER D.80X50X10 TURN.HITCH |
| 149254 | 1 | WASHER D.80X32X10 TURN.HITCH |
| 149258 | 1 | PIN F.TURNABLE HITCH |
| 149303 | 1 | DRAW BOLTS |
| 169396 | 1 | PLATE F. TURNABLE DRAWBAR |
| 219071 | 1 | BEARING 30208A TURN.HITCH |
| 219072 | 1 | BEARING |
| 242203 | 1 | O-RING 79.5X72.5 |
| 284235 | 1 | ENGRASADOR M-6/100 RECTO |
| 430507 | 1 | BOLT HEX 8.8 DEL M16X45 FT |
| 459047 | 1 | SET SCREW ALLEN M12X25 DIN 913 |
| 459049 | 1 | SET SCREW ALLEN M8X10 DIN 913 |
| 460585 | 1 | LOCKING NUT M16 DIN985 A2 SS |
| 469007 | 1 | NUT 1" SAE |
| 469021 | 1 | CASTLE NUT 1-1/4" |
| 469024 | 1 | CASTLE NUT 1-3/4" TURN.HITCH |
| 479024 | 1 | WASHER LOCK D.26 DIN 127 |
| 480739 | 1 | PIN SNAP D8 F.ROUND |
| 489027 | 1 | ROLL PIN 6 x 100 |
| 489028 | 1 | COTTER PIN 6 X 8 |
| 619440 | 1 | HEADTUBE FOR TURN.DRAWBAR |
| 639366 | 1 | CENTER BEAM TURN.HITCH |
| 639367 | 1 | CENTER PIVOT - TURN.HITCH |
| 835185 | 1 | DRAWBAR TURNABLE F.TG BV CR |



G0220

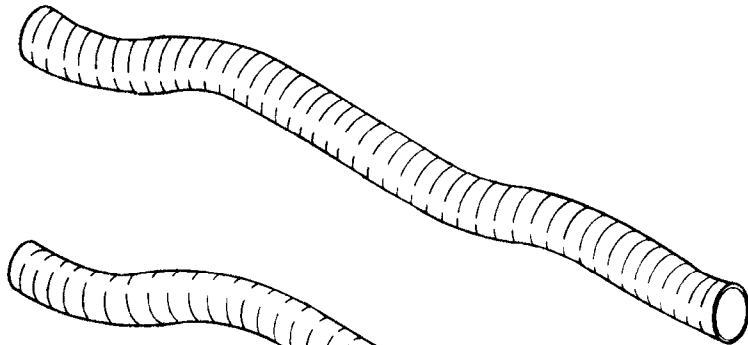


ARROW/BRAVO SPV 22" BLOWER
G0220-HIN, 01:01:16

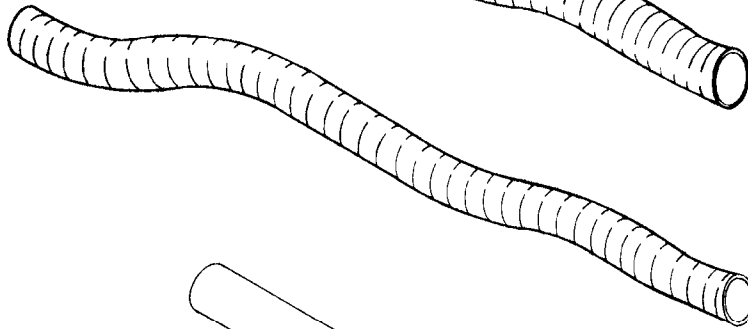
Page 1

Date 07.02.2020 10:55

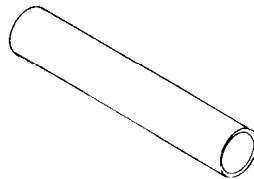
| parts-n° | order qty | description |
|----------|-----------|-----------------------------------|
| 129106 | 1 | HUB CAP F. 540 FAN LP |
| 169461 | 1 | REAR BRACKET ARROW FAN FRAME |
| 194309 | 1 | KEY 8 X 7 X 40 |
| 242162 | 1 | O-RING D140.5X134.5 X 3 |
| 284240 | 1 | SNAP-RING OUTER 35X1.5 |
| 349000 | 1 | SEAL FOR CANNON |
| 359015 | 1 | BLOWER HOUSING LP/TP |
| 359163 | 1 | AIR DIST. HOUSING |
| 420582 | 1 | BOLT HEX 8.8 DEL M8X20 FT A2 |
| 421046 | 1 | BOLT HEX M8X25/25 A2 SS DIN933 |
| 421236 | 1 | BOLT HEX M10X25 GALV. |
| 430721 | 1 | BOLT HEX 8.8 DEL M12X40 FT |
| 430870 | 1 | BOLT HEX 8.8 DEL M12X55 FT |
| 451037 | 1 | SCREW M6X20 HEX |
| 460143 | 1 | SELF LOCK NUT M8 SST A2 DIN985 |
| 460364 | 1 | NUT HU M8 A2 SS DIN934 |
| 460703 | 1 | NUT HEX M12X1.75 LOCK DIN985A2 SS |
| 469004 | 1 | M-20 SPECIAL NUT |
| 470455 | 1 | WASHER D12 SPRING |
| 471071 | 1 | WASHER M12 GALV |
| 471072 | 1 | WASHER M10 EL2 |
| 471074 | 1 | WASHER M8 ELZ |
| 471075 | 1 | WASHER M8 LOCK |
| 471095 | 1 | WASHER D6,4 |
| 471097 | 1 | WASHER D10 SAFETY |
| 471112 | 1 | WASHER D20 |
| 480745 | 1 | PIN MD4X50 SPLIT |
| 489001 | 1 | RIVET 4X20 AL. |
| 619012 | 1 | STEEL PLATE W/NUT M-8 TURBO |
| 619061 | 1 | PLATE BASE ZATURN |
| 639230 | 1 | AIR GRID PROTECTOR P540 |
| 639313 | 1 | BRAVO FAN FRAME 22" SPV |
| 639452 | 1 | ARROW FAN FRAME 22" SPV |
| 727069 | 1 | CENTRIFUG WHEEL 540 alt 739994 |
| 739064 | 1 | CENTRIFUGAL CLUTCH F.LP D130 |
| 739110 | 1 | GEARBOX ARROW/BRAVO 22" SPV |



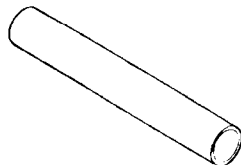
24002503 - Ø 5" (125mm)



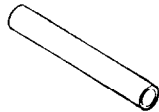
24002403 - Ø 4" (100mm)



259034 - Ø 5" (125mm) L=29-1/2" (750mm) PVC



259035 - Ø 4-3/8" (110mm) L=39-3/8" (1000mm) PVC



349012 - Ø 4" (100mm) L=37-3/8" (950mm) PVC



349026 - Ø 5-1/2" (140mm) / Ø 4-3/8" (110mm) PVC



349030 - Ø 5-1/2" (140mm) / Ø 3-1/2" (90mm) PVC



349025 - Ø 5" (125mm) / Ø 4-3/8" (110mm) PVC



349023 - Ø 5" (125mm) PVC

G0420

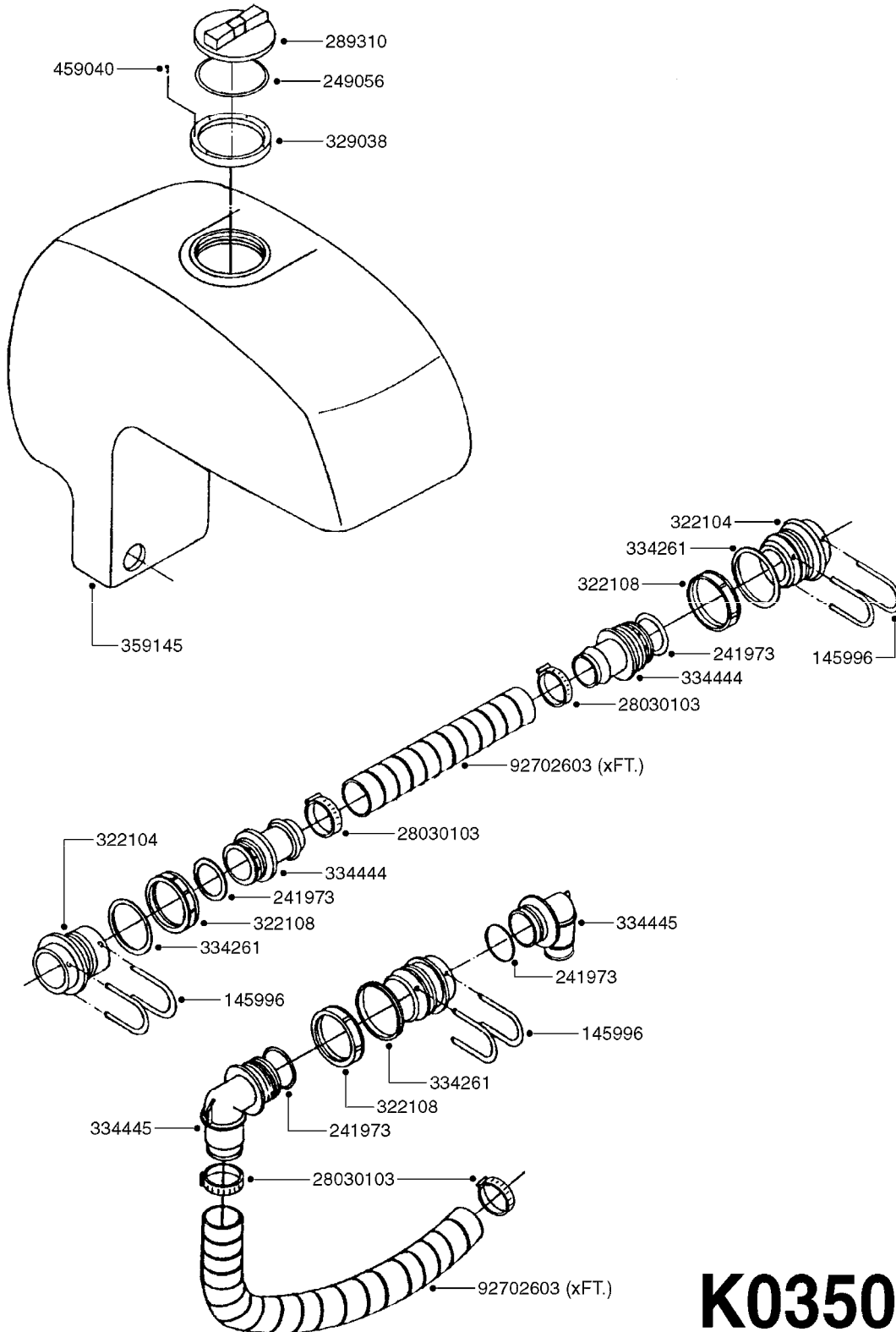


TUBES & HOSES
G0420-HIN, 01:01:16

Page 1

Date 07.02.2020 10:55

| parts-n° | order qty | description |
|----------|-----------|--------------------------------|
| 259034 | 1 | PVC HOSE D125MM X 0.75M |
| 259035 | 1 | PVC HOSE D100MM X 1.0M |
| 349012 | 1 | PVC TUBE D100MM X 950MM |
| 349023 | 1 | GREY PVC LID D125MM |
| 349025 | 1 | CONNECT.PIECE PVC D125MM-110MM |
| 349026 | 1 | CONICAL REDUC.PVC D140MM-100MM |
| 349030 | 1 | 140MM-90MM PVC ADAPTER |
| 24002403 | 1 | HOSE R X TPR 4" BLACK |
| 24002503 | 1 | HOSE R X TPR 5" BLACK |



K0350



FLUSH SYST. -TANGO/BRAVO/CONDOR
K0350-HIN, 01:01:16

Page 1

Date 07.02.2020 10:55

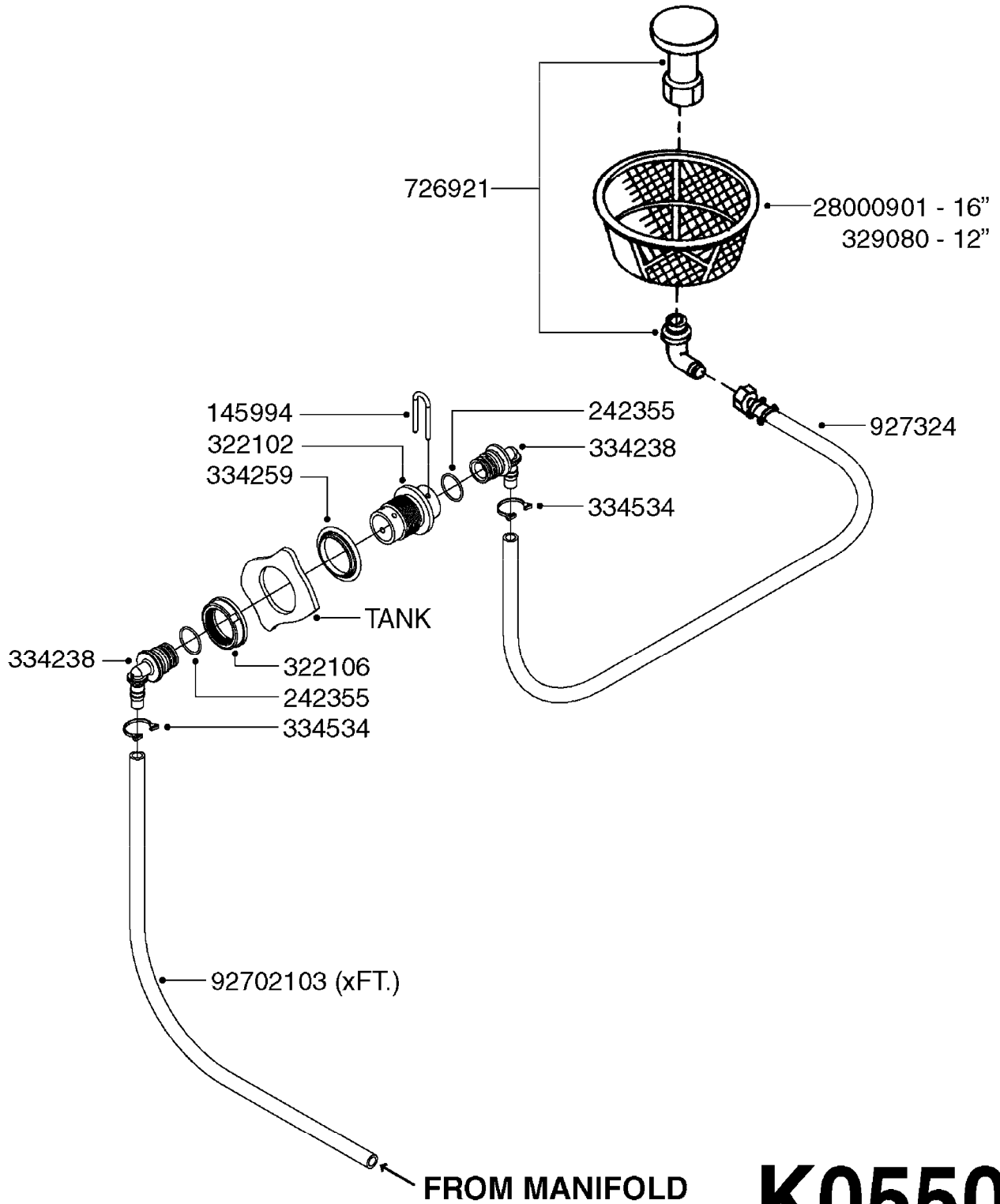
| parts-n° | order qty | description |
|----------|-----------|-----------------------------------|
| 145996 | 1 | FITT.DK S-67 FORK |
| 241973 | 1 | O-RING Ø3 X 44.2 70 SHORES NITRIL |
| 249056 | 1 | GASKET F.LID 289310 D.255 |
| 289310 | 1 | RINSE TANK LID CR/TG |
| 322104 | 1 | FITT.DK S-67 BULKHEAD |
| 322108 | 1 | FITT.DK S-67 BULKHEAD NUT |
| 329038 | 1 | RINSE TANK LID RING CR/TG |
| 334261 | 1 | GASKET F. S-67 BULKHEAD |
| 334444 | 1 | FITT.DK S-67 STR.1-1/2" PVC |
| 334445 | 1 | FITT.DK S-67 ELB.1-1/2" |
| 359145 | 1 | FLUSH TANK CONDOR |
| 459040 | 1 | SCREW INOX 4.2X25 DIN7981 |
| 28030103 | 1 | CLAMP HOSE GEAR P5/4-S1.5"6724 |
| 92702603 | 1 | HOSE PVC SUCT GRAY 1-1/2" |



POWDER MIXER
K0550-HIN, 01:01:16

Page 0

Date 07.02.2020 10:55



K0550

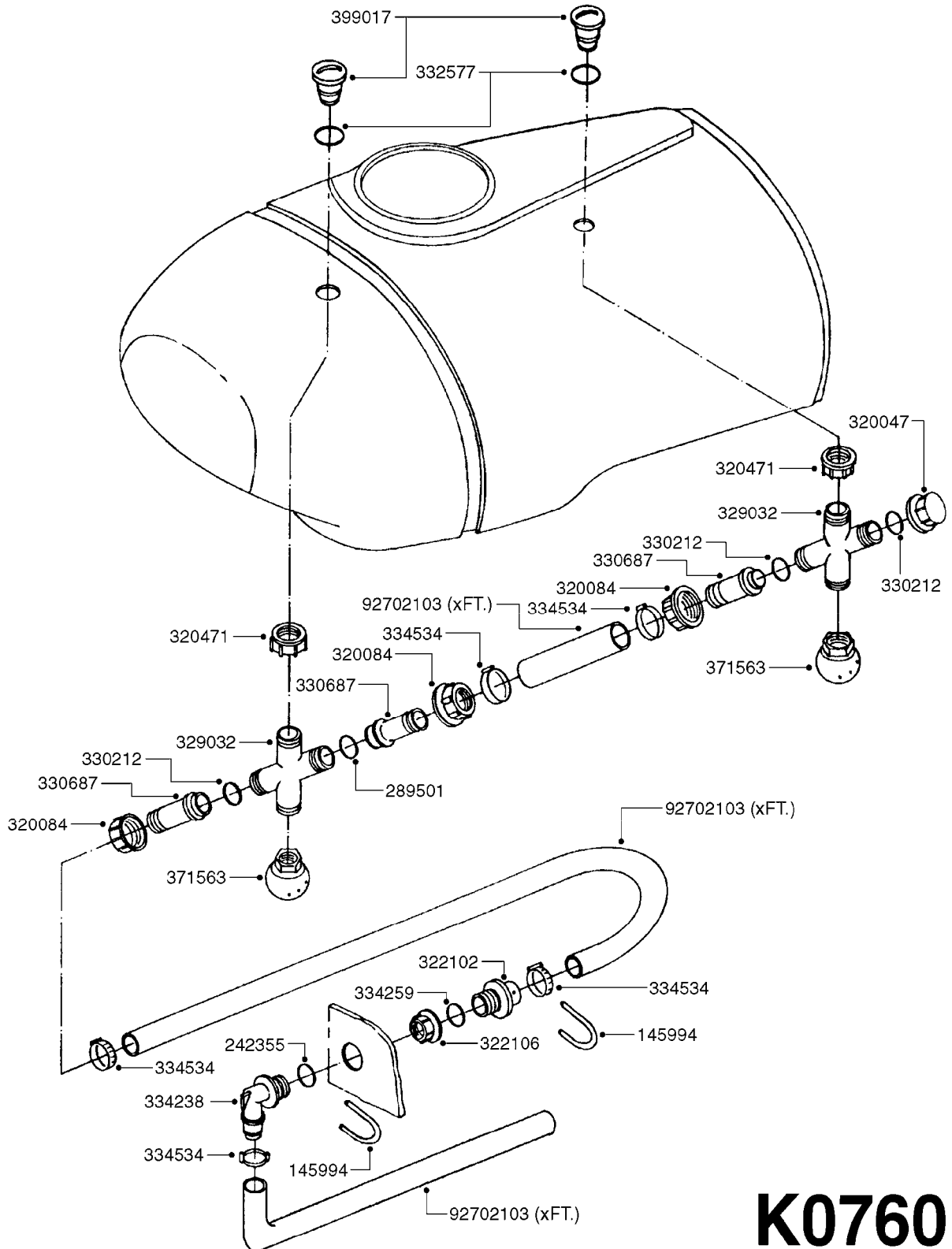


POWDER MIXER
K0550-HIN, 01:01:16

Page 1

Date 07.02.2020 10:55

| parts-n° | order qty | description |
|----------|-----------|---|
| 145994 | 1 | FITT.DK S-40 FORK |
| 242355 | 1 | O-RING D19.2X3.0 VITON F.S-40 |
| 322102 | 1 | FITT.DK S-40 BULKHEAD |
| 322106 | 1 | FITT.DK S-40 BULKHEAD NUT |
| 329080 | 1 | FILTER BASKET 12" |
| 334238 | 1 | FITT.DK S-40 ELB.1/2" |
| 334259 | 1 | GASKET F. S-40 BULKHEAD |
| 334534 | 1 | CLAMP HOSE PLASTIC 1/2" |
| 726921 | 1 | POWDER MIXER F.STRAINER BASKET |
| 927324 | 1 | HOSE R PRESSURE D12-80-200 BAR |
| 28000901 | 1 | FILTER, TOP MAIN TANK, D400 L275 300130 |
| 92702103 | 1 | HOSE R X1/2" X300PSI WP X0012" |



K0760



RINSE SYST. -TANGO/BRAVO/CONDOR
K0760-HIN, 01:01:16

Page 1

Date 07.02.2020 10:55

| parts-n° | order qty | description |
|----------|-----------|--------------------------------|
| 145994 | 1 | FITT.DK S-40 FORK |
| 242355 | 1 | O-RING D19.2X3.0 VITON F.S-40 |
| 289501 | 1 | O-RING 11 X 2.5 |
| 320047 | 1 | FITT.DK CAPNUT 1/2" BSP |
| 320084 | 1 | FITT.DK NUT 1/2" BSP |
| 320471 | 1 | FITT.DK NUT 1" BSP JAMB |
| 322102 | 1 | FITT.DK S-40 BULKHEAD |
| 322106 | 1 | FITT.DK S-40 BULKHEAD NUT |
| 329032 | 1 | 4-WAY FITTING M-1/2" |
| 330212 | 1 | O-RING D19/D14X2.4 F.1/2"NUT |
| 330687 | 1 | FITT.DK HB 1/2" F. 1/2" NUT |
| 332577 | 1 | O-RING D38/D30X4 F.1" PUR. |
| 334238 | 1 | FITT.DK S-40 ELB.1/2" |
| 334259 | 1 | GASKET F. S-40 BULKHEAD |
| 334534 | 1 | CLAMP HOSE PLASTIC 1/2" |
| 371563 | 1 | NOZZLE FOR TANK RINSE |
| 399017 | 1 | NYLON FITTING 1" F.NOZZLE |
| 92702103 | 1 | HOSE R X1/2" X300PSI WP X0012" |