



Agroparts: www.HARDI-INTERNATIONAL.com

RUBICON RUBICON 9000 RA

Country-Code 11

Date 07.02.2020 8:04





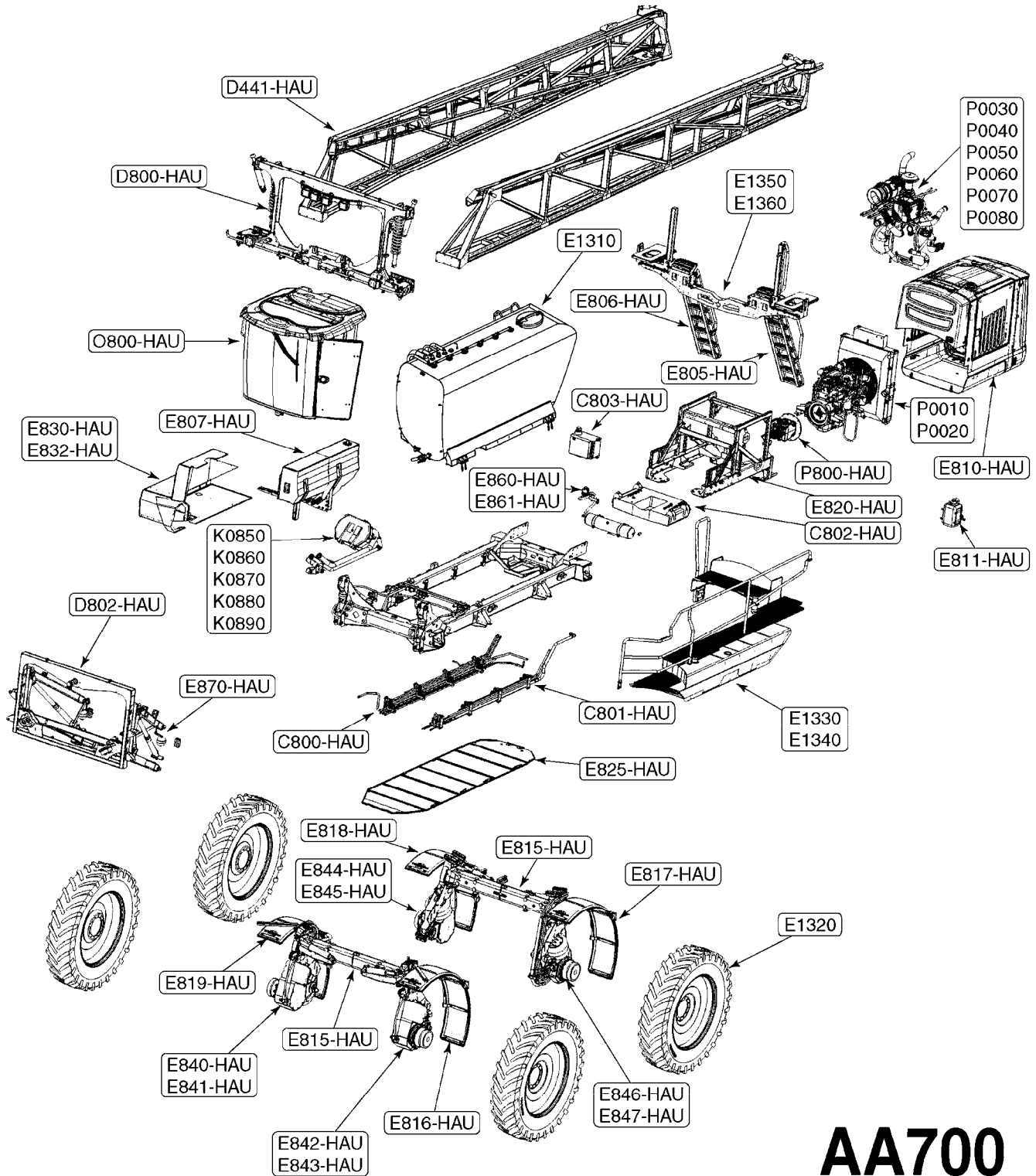
main group	page-n°	date	description
System overview	AA700-HIN	17:10:18	RUBICON 9000 SYSTEM OVERVIEW
Pumps	A0460-HIN	25:07:18	PUMP - 650 ACE CENTRIFUGAL SP
Controls, Filters, Valves	B800-HAU	23:11:18	SUCTION FILTER - RUBICON
	B801-HAU	23:11:18	SUCTION VALVE - RUBICON
	B802-HAU	23:11:18	PRESSURE VALVE - RUBICON
	B803-HAU	23:11:18	FLUID OUTLET VALVES -RUBICON
	B804-HAU	23:11:18	REGULATION VALVE - RUBICON
	B805-HAU	26:11:18	RINSE VALVE - RUBICON
	B806-HAU	26:11:18	BYPASS VALVE - RUBICON
	B807-HAU	14:12:18	VALVE ELECTRICAL EQUIPMENT - RUBICON
	B809-HAU	19:04:17	SUCTION FILTER DRAIN VALVE - RUBICON
	B811-HAU	23:03:18	FILTER ARAG 32621D4 SERIES
	B812-HAU	23:03:18	VALVE ARAG 45514406
	B815-HAU	23:07:18	BANJO FLANGED 2" 3-WAY FULL PORT VALVE
	B818-HAU	26:11:18	FLOWMETER - RUBICON
	B820-HAU	18:12:18	POLMAC SUCTION VALVE MAIN BODY
	B821-HAU	18:12:18	POLMAC PRESSURE VALVE MAIN BODY
	B822-HAU	18:12:18	POLMAC VALVE ELECTRIC ACTUATOR
	B0810-HIN	10:07:18	MANUAL INDUCTION VALVE - RUBICON
	B0820-HIN	25:07:18	RINSE/MAIN PUMPS - RUBICON
	B0830-HIN	23:01:19	FLUID OUTLET VALVES - RUBICON
	S010-HAU	02:03:18	RUBICON - FLUID PRESSURE GAUGE
	S061-HAU	26:11:18	RUBICON - FLUID PACK SUCTION VALVE AND FILTER
	S062-HAU	27:11:18	RUBICON - FLUID PACK CONTROL MANIFOLD ASSEMBLY
	S063-HAU	27:11:18	RUBICON - FLUID PACK MAIN PUMP ASSEMBLY
S064-HAU	27:11:18	RUBICON - FLUID PACK PRESSURE VALVE ASSEMBLY	
S065-HAU	27:11:18	RUBICON - FLUID PACK CLEAN WATER/RINSE PUMP AND VA	
S066-HAU	27:11:18	RUBICON - FLUID PACK METALWORK AND FITTINGS	
Hydraulics	C247-HAU	12:04:16	HYD. BLOCK INNER FOLD
	C800-HAU	30:08:19	RIGHT SIDE RIGID HYDRAULIC PIPE ASSEMBLY RUBICON
	C801-HAU	30:08:19	LEFT SIDE RIGID HYDRAULIC PIPE ASSEMBLY
	C802-HAU	02:09:19	EQUIPPED HYDRAULIC OIL TANK - RUBICON
	C803-HAU	02:09:19	UPPER HYDRAULIC OIL TANK - RUBICON
	C804-HAU	02:09:19	HYD. CIRCUIT WHEEL MOTORS
	C0900-HIN	21:02:19	HYD. CIRCUIT STEERING - RUBICON
	C806-HAU	02:09:19	HYD. CIRCUIT DISTRIBUTION -RUBICON
	C807-HAU	03:09:19	HYD. CIRCUIT DISTRIBUTION - RUBICON
	C808-HAU	03:09:19	HYD. CIRCUIT DISTRIBUTION -RUBICON
	C810-HAU	22:12:17	HYD. ACCUMULATOR TILT 1/4"
	C813-HAU	26:11:18	RUBICON - FLUID PACK HYDRAULICS OVERVIEW
	C814-HAU	26:11:18	RUBICON - FLUID PACK VALVE HYDRAULICS
	C815-HAU	26:11:18	RUBICON - FLUID PACK MAIN PUMP HYDRAULICS



main group	page-n°	date	description
Booms, Nozzle Bodies & Tubes	C816-HAU	26:11:18	RUBICON - FLUID PACK RINSE PUMP HYDRAULICS
	D441-HAU	06:11:17	RA BOOMS
	D442-HAU	06:11:17	RA INNER/1ST OUTER
	D443-HAU	06:11:17	RA BREAK AWAY
	D448-HAU	07:11:17	RA BOOM KIT
	D450-HAU	09:05:18	RA INNER WING SYSTEMS & FITTINGS
	D451-HAU	03:05:18	RA OUTER WING SYSTEMS & FITTINGS
	D800-HAU	01:01:18	OUTER CENTER COMPONENTS - RUBICON
	D801-HAU	01:01:18	CENTER PENDULUM DAMPER - RUBICON
	D802-HAU	01:01:18	CENTER LIFT FRAME - RUBICON
	D803-HAU	12:01:18	BOOM TO CENTER CONNECTION - RUBICON
	D804-HAU	12:01:18	BOOM CENTER SPRAY BAR ASSEMBLY- RUBICON
	L900-HAU	03:05:18	BOOM FITTINGS/PLATES/BRACKETS
	S001-HAU	12:01:18	FLUID COMPONENTS CENTER & HINGE - RUBICON
	S002-HAU	26:02:18	RUBICON - MUDGUARD NOZZLE ASSEMBLY
	S003-HAU	28:02:18	RUBICON - RA INNER WING FLUID SYSTEM
	S004-HAU	03:05:18	RUBICON - RA OUTER WING FLUID SYSTEM
	S005-HAU	26:11:18	RUBICON - MAIN BOOM FLUID FEEDS
	S900-HAU	28:02:18	HARDI PENTABUS NOZZLE BODY
	S905-HAU	19:02:18	FIELD NOZZLES
	S910-HAU	01:03:18	STAINLESS STEEL BOOM TUBES
	T001-HAU	04:04:18	RUBICON - CENTER PNEUMATIC SYSTEM
	T002-HAU	23:03:18	RUBICON - MUDGUARD PNEUMATIC SYSTEM
	T003-HAU	23:03:18	RUBICON - RA INNER WING PNEUMATIC SYSTEM
	T004-HAU	03:05:18	RUBICON - RA OUTER WING PNEUMATIC SYSTEM
T900-HAU	27:02:18	PNEUMATIC NOZZLE ACTUATORS	
Tank and Frame: Field Sprayers	E807-HAU	26:11:18	RINSE TANK RUBICON
	E810-HAU	27:01:17	ENGINE HOOD RUBICON
	E811-HAU	23:05:17	WASH HAND TANK RUBICON
	E815-HAU	26:04:17	AXLE AND COMPONENTS RUBICON
	E816-HAU	26:04:17	FRONT LEFT MUDGUARD
	E817-HAU	23:02:18	REAR LEFT MUDGUARD
	E818-HAU	23:02:18	REAR RIGHT MUDGUARD
	E819-HAU	26:04:17	FRONT RIGHT MUDGUARD
	E820-HAU	26:04:17	ENGINE FRAME RUBICON
	E825-HAU	26:04:17	CHASSIS BOTTOM PLATES RUBICON
	E830-HAU	26:04:17	FLUID HOUSING RIGHT RUBICON
	E832-HAU	26:04:17	FLUID HOUSING RIGHT - RUBICON
	E840-HAU	22:11:17	DROP LEG FRONT RIGHT - RUBICON
	E841-HAU	26:04:17	DROP LEG FRONT RIGHT - RUBICON
	E842-HAU	26:04:17	DROP LEG FRONT LEFT - RUBICON
	E843-HAU	26:04:17	DROP LEG FRONT LEFT - RUBICON
	E844-HAU	26:04:17	DROP LEG REAR RIGHT - RUBICON
	E845-HAU	26:04:17	DROP LEG REAR RIGHT - RUBICON
	E846-HAU	26:04:17	DROP LEG REAR LEFT - RUBICON
	E847-HAU	26:04:17	DROP LEG REAR LEFT - RUBICON
	E860-HAU	17:03:17	AIR CIRCUIT COMPONENTS - RUBICON
	E861-HAU	21:03:17	AIR CIRCUIT COMPONENTS - RUBICON
E870-HAU	26:04:17	PARALIFT - RUBICON	
E1310-HIN	24:05:18	TANK - RUBICON 9000	
E1320-HIN	09:07:18	WHEELS FOR RUBICON	



main group	page-n°	date	description
Special equipment, Extras	E1330-HIN	14:08:18	PLATFORM/FUEL TANK - RUBICON
	E1340-HIN	14:08:18	PLATFORM, REAR - RUBICON
	E1350-HIN	13:08:18	REAR TRAFFIC LIGHTS - RUBICON
	E1360-HIN	15:08:18	BOOM SUPPORT - RUBICON
	E1370-HIN	20:08:18	PLATFORM LADDER LEFT - RUBICON
	E1380-HIN	20:08:18	PLATFORM LADDER RIGHT - RUBICON
	L910-HAU	09:05:18	MIRRORS
Electrical Equipment	K0480-HIN	01:01:16	HANDGUN TYPE 60S/60L POST 95
	K0850-HIN	02:05:18	CHEM.FILLER RUBICON A
	K0860-HIN	10:07:18	CHEM.FILLER RUBICON B
	K0870-HIN	03:05:18	CHEM.FILLER RUBICON C
	K0880-HIN	07:05:18	CHEM.FILLER RUBICON D
	K0890-HIN	10:05:18	CHEM.FILLER RUBICON E
	M800-HAU	19:04:17	REAR ADJ.TRACK ELECTRICAL - RUBICON
	M801-HAU	19:04:17	FRONT ADJ.TRACK ELECTRICAL - RUBICON
Cabin	M802-HAU	19:04:17	ENGINE CHASSIS ELECTRICAL EQUIPMENT - RUBICON
	M803-HAU	19:04:17	ENGINE CHASSIS ELECTRICAL EQUIPMENT - RUBICON
	M805-HAU	19:04:17	ENGINE CHASSIS ELECTRICAL EQUIPMENT - RUBICON
	M810-HAU	25:05:17	LIGHT ASSEMBLY ROOF - RUBICON
	M811-HAU	18:01:18	CENTER LIGHT ASSEMBLY - RUBICON
	M812-HAU	12:01:18	RUBICON - BOOM LIGHT ASSEMBLIES
	M813-HAU	12:01:18	CENTER & ROOF LIGHTING HARNESSSES - RUBICON
	M814-HAU	12:01:18	CAB ROOF LIGHT ASSEMBLY - RUBICON
	M818-HAU	03:05:18	RUBICON - CENTER & BOOM NORAC SYSTEM
	M841-HAU	23:03:18	RUBICON RA BOOM ELECTRICAL HARNESS
Engine	M900-HAU	23:03:18	SOLENOID VALVE ASCO
	M920-HAU	03:05:18	NORAC CABLES
	O0010-HIN	03:10:18	ENGINE CONTROL CONSOLE - RUBICON
	O800-HAU	19:04:17	CABIN - RUBICON
	O802-HAU	19:04:17	ENGINE CONTROL CONSOLE - RUBICON
	O803-HAU	19:04:17	ENGINE CONTROL CONSOLE - RUBICON
	O804-HAU	19:04:17	ENGINE CONTROL CONSOLE - RUBICON
	O810-HAU	19:04:17	CAB HEATING CIRCUIT - RUBICON
	O811-HAU	19:04:17	CAB CLIMATE CIRCUIT - RUBICON
	P800-HAU	30:01:17	ENGINE OUTLET RUBICON
P0010-HIN	17:05:18	ENGINE RUBICON	
P0020-HIN	17:05:18	ENGINE COMPONENTS RUBICON	
P0030-HIN	22:05:18	AIR - EXHAUST - DEF CIRCUITS	
P0040-HIN	23:05:18	ENGINE AIR FILTER - RUBICON	
P0050-HIN	29:05:18	EXHAUST CIRCUIT - RUBICON	
P0060-HIN	07:06:18	DEF CIRCUIT - RUBICON	
P0070-HIN	19:06:18	COOLANT HOSES - RUBICON	
P0080-HIN	06:08:18	ENGINE FILTERS - RUBICON	
P808-HAU	19:04:17	FUEL CIRCUIT - RUBICON	



AA700

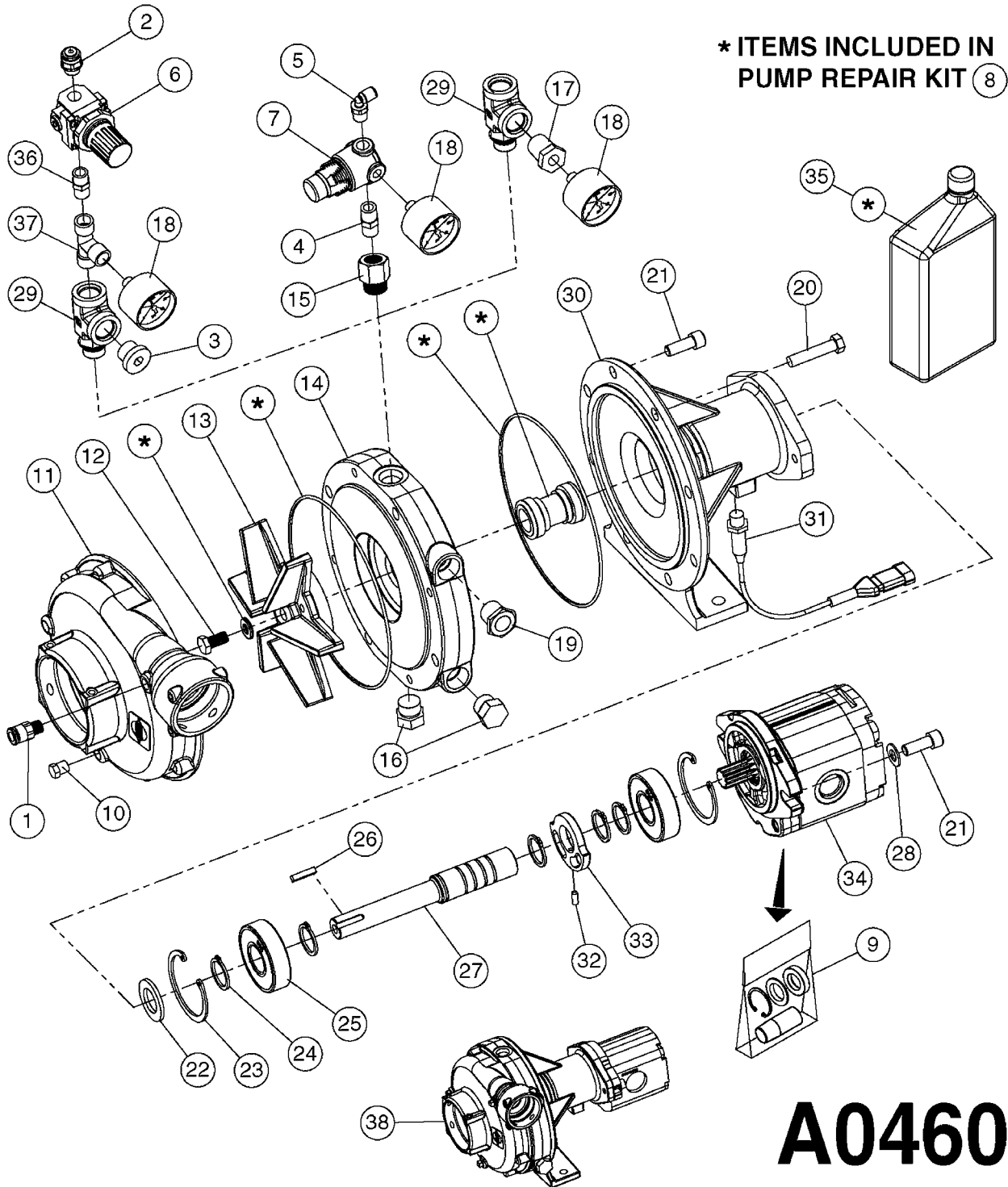


RUBICON 9000 SYSTEM OVERVIEW
AA700-HIN, 17:10:18

Page 1

Date 07.02.2020 8:04

parts-n°	order qty	description



* ITEMS INCLUDED IN
PUMP REPAIR KIT (8)

A0460



PUMP - 650 ACE CENTRIFUGAL SP
A0460-HIN, 25:07:18

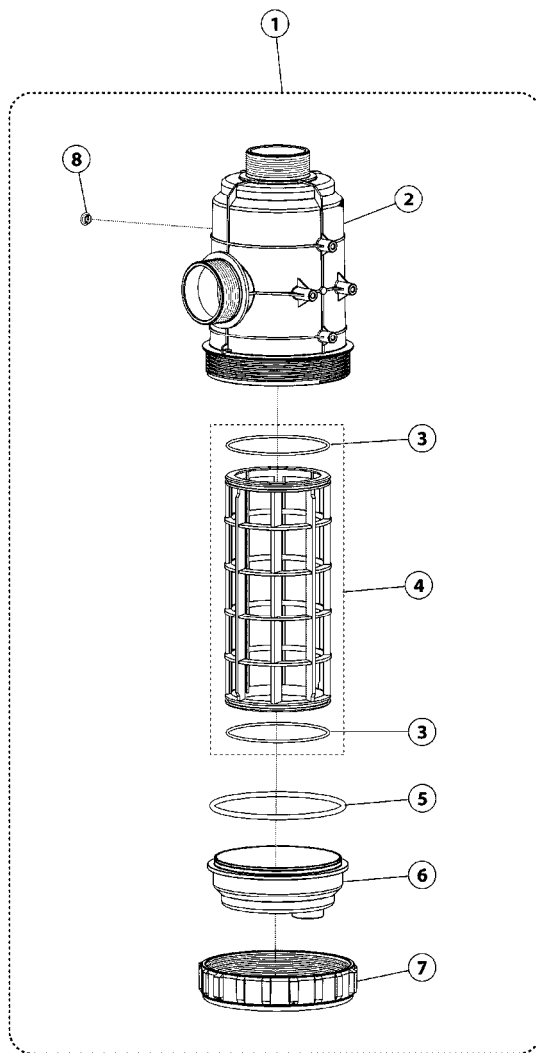
Page 1

Date 07.02.2020 8:04

Pos.	parts-n°	order qty	description
1	232152	1	QUICK COUPLER 8MMX1/8 EXT.LONG
2	288660	1	FITTING G1/4"-Ø4 mm
3	786890	1	PLUG M18X1.5 ORA3C W/GASKET
4	23004203	1	FITT 1/4" NPTF-1/4" NPTF UNION
5	23005803	1	FITT, 1/4" NPT X 6MM 90 PTC
6	28024901	1	AIR PRESSURE REGULATOR 1/4" BSP 0.5-10B
7	28065303	1	REGULATOR 1/4", 30PSI, PARKER
8	28066503	1	PUMP REPAIR KIT ACE 650
9	28066603	1	MOTOR REPAIR KIT ACE 650
10	28068303	1	PLUG 1/8" NPT SS
11	28068403	1	PUMP HOUSING FRONT ACE 650
12	28068503	1	CAP SCREW 3/8" X 3/4" SS
13	28068603	1	IMPELLER, WETSEAL SS ACE 650
14	28068703	1	SEAL PLATE SS ACE 650
15	28068803	1	ADAPTER #8 SAE X 1/4" FNPT
16	28069003	1	PLUG #8 SAE X 1/8" FNPT
17	28069103	1	ADAPTER #8 SAE X 1/8" FNPT
18	28069203	1	PRESS.GAUGE 0-60 PSI 1/8" NPT
19	28069303	1	SIGHT GAUGE #8 SAE W/FLOAT
20	28069503	1	CAP SCREW 3/8" X 2"
21	28069603	1	CAP SCREW 3/8" X 1"
22	28069703	1	SLINGER 1.5" X 7/8"
23	28069803	1	SNAP RING INTERNAL, FRAME
24	28069903	1	SNAP RING EXTERNAL, SHAFT
25	28070003	1	BEARING F.ACE 650 PUMP
26	28070103	1	KEY 0.188 X 0.188 X 0.875
27	28070203	1	SHAFT 11T FEMALE SPLINE SS
28	28070503	1	WASHER 3/8" SS
29	28072103	1	TEE MALE #8 SAE
30	28072203	1	PUMP HOUSING REAR ACE 650CDRPM
31	28072303	1	SENSOR, RPM, ACE 650
32	28072403	1	SET SCREW 10-24 X 1/2"
33	28072503	1	STONE WHEEL, SINGLE TOOTH
34	28072603	1	HYDRAULIC MOTOR W/CASE DRAIN
35	29004303	1	ACE 650, BARRIER FLUID 32oz
36	RA15AA7259	1	STRAIGHT FITTING BSP1/4" 0121-1313
37	RA15AA7260	1	T PIECE, F-F-F, BSP1/4"
38	28059003	1	PUMP ACE FMCWS-650-HARDI-CD-SS SARITOR, RUBICON
38	28086303	1	PUMP ACE FMCWS-650-HARDI-PRESIDIO PRESIDIO



SUCTION FILTER - RUBICON
B800-HAU, 23:11:18



B800-HAU

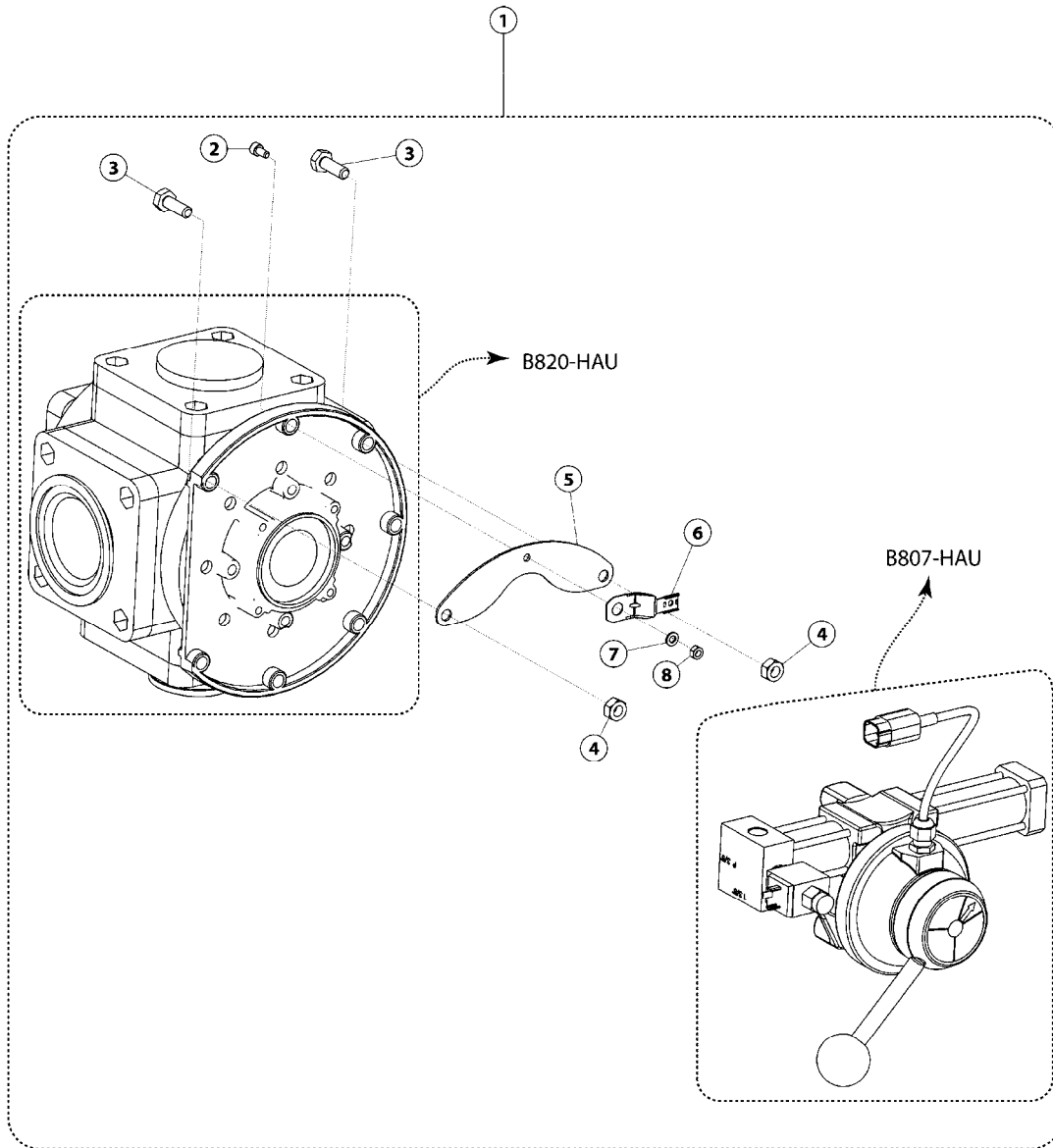


SUCTION FILTER - RUBICON
B800-HAU, 23:11:18

Page 1

Date 07.02.2020 8:04

Pos.	parts-n°	order qty	description
1	MA520006001	1	SUCTION FILTER 32 MESH
2	MA520006008	1	SUCTION FILTER HOUSING
3	24008401	1	O-RING 3.53 X 136.1 335000.060V
4	MA237321000	1	FLUID SUCTION FILTER RED (32 MESH)
4	MA237322000	1	FLUID SUCTION FILTER BLUE (50 MESH)
5	24008501	1	O RING 6.99 X 174.6
6	27013901	1	FILTER BOWL FOR 28020301
7	27014001	1	FILTER NUT FOR 28020301
8	28055604	1	INDICATOR BUTTON RED



B801-HAU

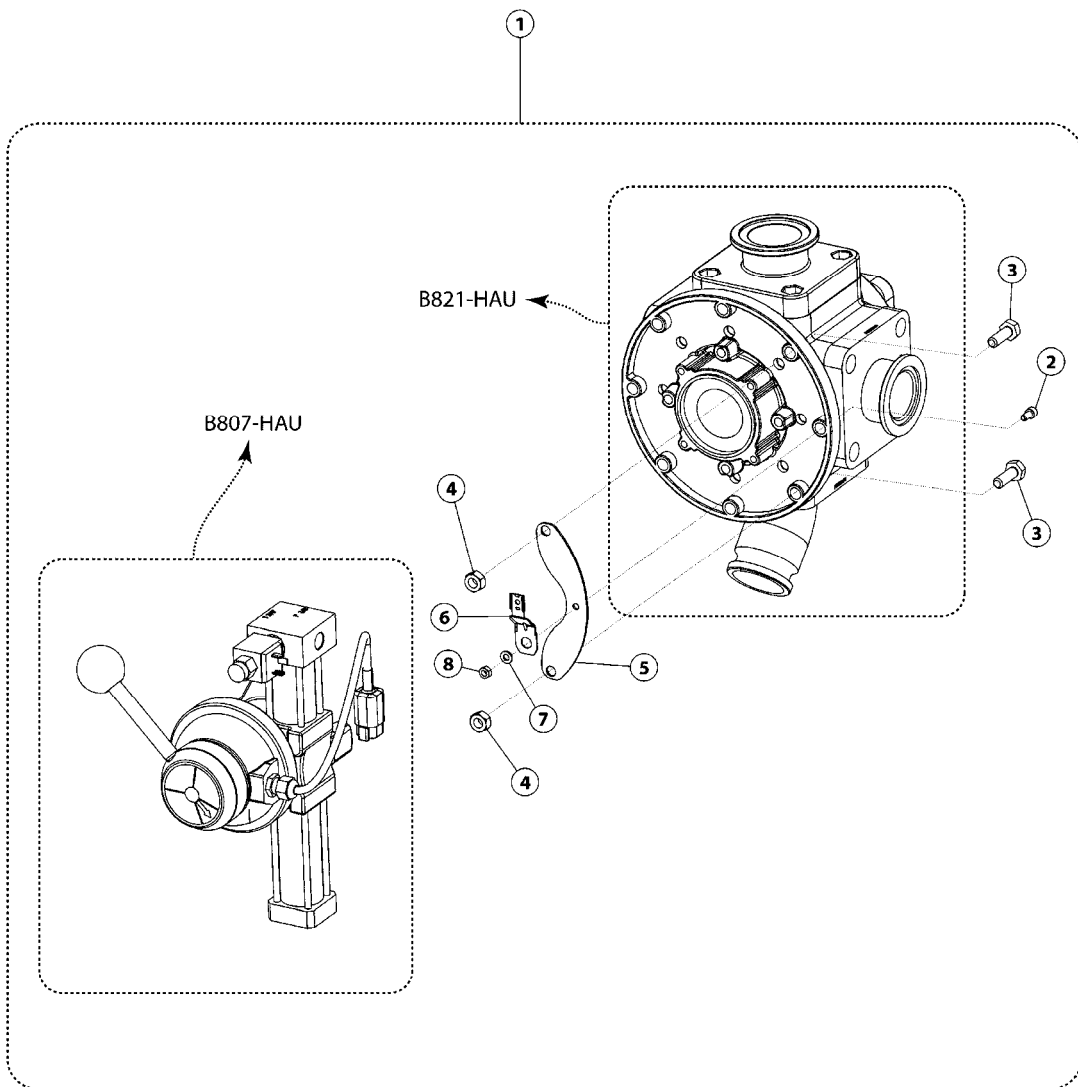


SUCTION VALVE - RUBICON
B801-HAU, 23:11:18

Page 1

Date 07.02.2020 8:04

Pos.	parts-n°	order qty	description
1	MA534002004	1	MOTORIZED 5-WAY VALVE 3"
2	MA701003054	1	SCREW CHC M6 X 12 8.8 912
3	MA701001148	1	BOLT H M10X30 A2 931
4	MA702008019	1	AUTO LOCKNUT M10 A2 985
5	MA251068000	1	MOTORIZED VALVE CONNECTOR BRACKET
6	MA176635000	1	MOUNTING CLIP DEUTSCH
7	MA703001131	1	WASHER M6 SS A2
8	MA702008002	1	LOCKNUT M6 A2 985



B802-HAU

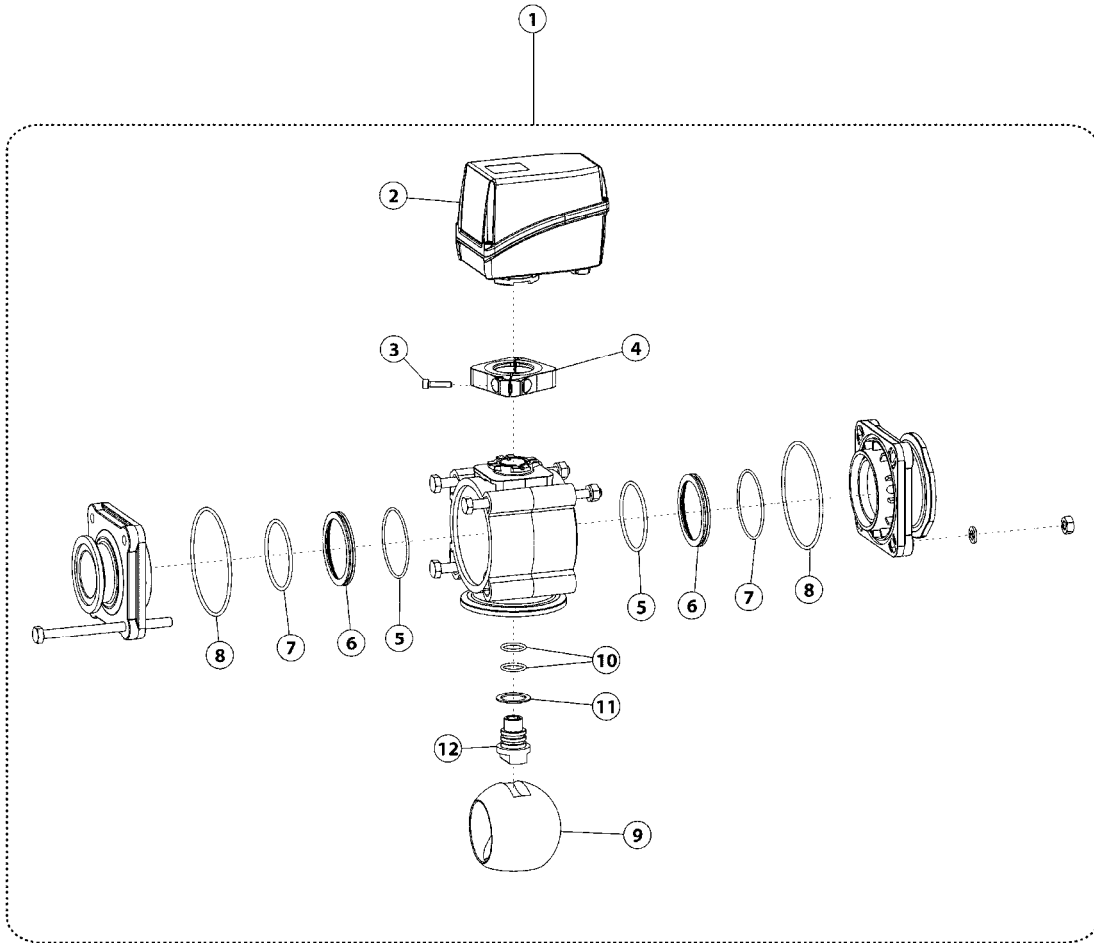


PRESSURE VALVE - RUBICON
B802-HAU, 23:11:18

Page 1

Date 07.02.2020 8:04

Pos.	parts-n°	order qty	description
1	MA534002003	1	MOTORIZED 5-WAY VALVE 2-1/2"
2	MA701003054	1	SCREW CHC M6 X 12 8.8 912
3	MA701001148	1	BOLT H M10X30 A2 931
4	MA702008019	1	AUTO LOCKNUT M10 A2 985
5	MA251067000	1	MOTORIZED VALVE CONNECTOR BRACKET
6	MA176635000	1	MOUNTING CLIP DEUTSCH
7	MA703001131	1	WASHER M6 SS A2
8	MA702008002	1	LOCKNUT M6 A2 985



B803-HAU

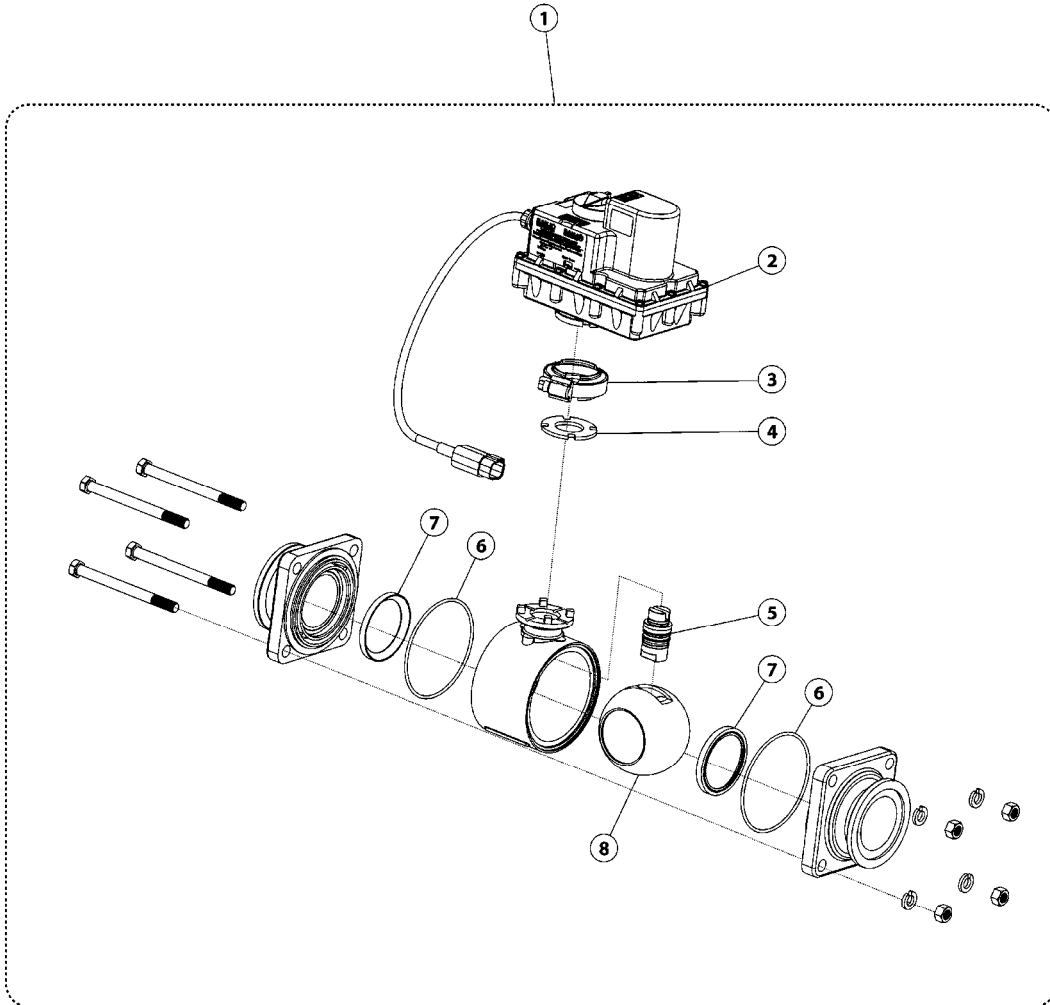


FLUID OUTLET VALVES -RUBICON
B803-HAU, 23:11:18

Page 1

Date 07.02.2020 8:04

Pos.	parts-n°	order qty	description
1	MA534004003	1	VALVE, BALL - 3 WAY
2	26079601	1	VALVE MOTOR 1:1384
3	28101104	1	BOLT M6X25 SS
4	28101004	1	MOTOR CLAMP KIT
5	24027401	1	O-RING 2.62 X 71.12 VITON
6	28100904	1	VALVE BALL SEAT
7	24027301	1	O-RING 3.53 X 69.85 VITON
8	24027201	1	O-RING 3.53 X 110.7 VITON
9	28100804	1	VALVE BALL STAINLESS STEEL
10	248193	1	O-RING 2.62 X 22.2 VITON
11	28100704	1	RING FOR VALVE STEM
12	28100604	1	ELECTRIC VALVE STEM



B804-HAU



REGULATION VALVE - RUBICON
B804-HAU, 23:11:18

Page 1

Date 07.02.2020 8:04

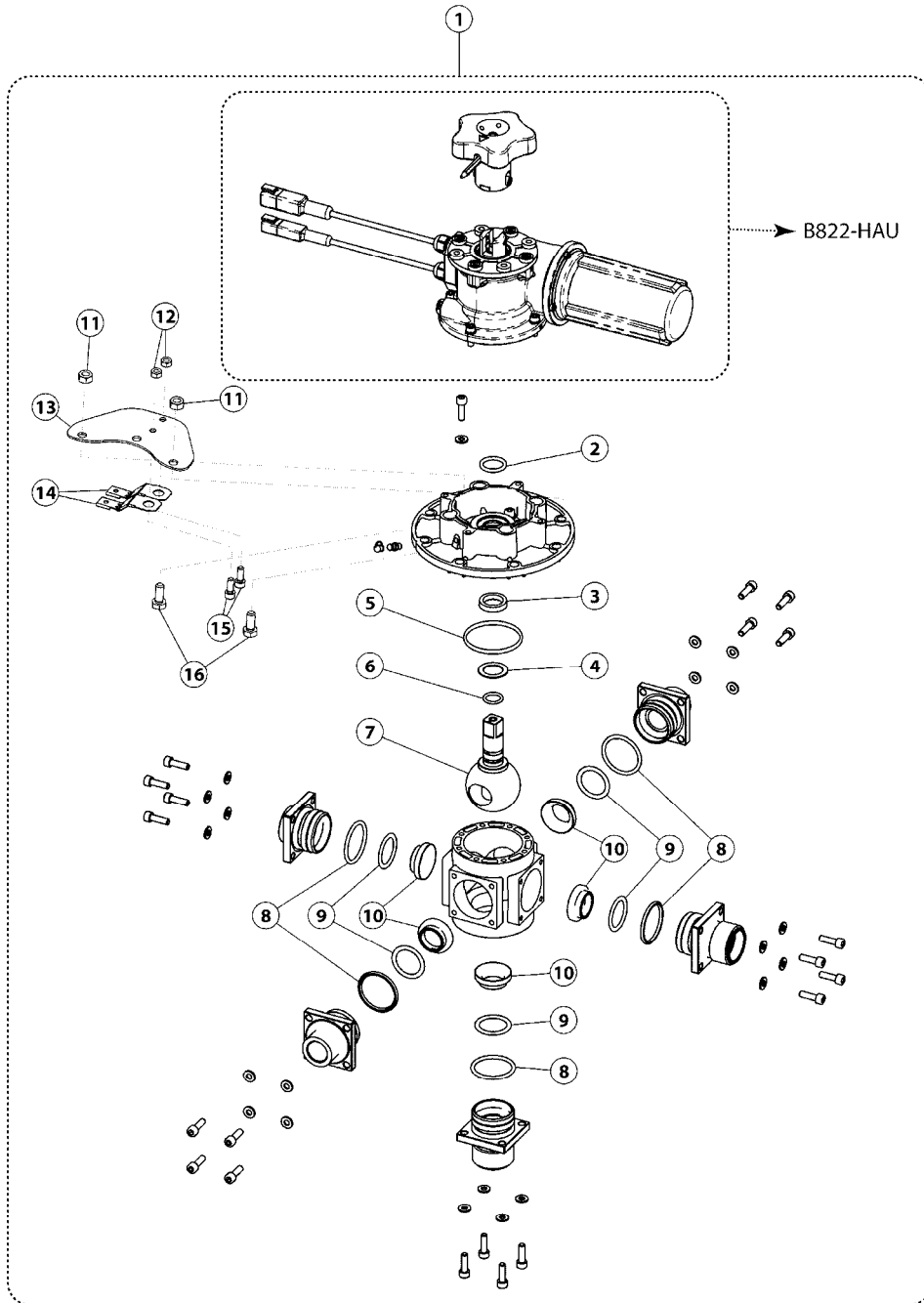
Pos.	parts-n°	order qty	description
1	MA251355000	1	VALVE 5340090001 W/WIRING HARNESS
2	28098604	1	REGULATION VALVE ELECTRIC MOTOR
3	28009204	1	BANJO CLAMP 100SERIES-FC100
4	28098704	1	ELECTRIC VALVE WEEP HOLE FILTER
5	28098904	1	2" FP TOP LOAD STEM
6	28094904	1	VALVE BODY O-RING
7	28099004	1	2" FP VE SEAT TFM
8	28098804	1	2" FP ELECTRIC VALVE HOLLOW BALL SS



RINSE VALVE - RUBICON
B805-HAU, 26:11:18

Page 0

Date 07.02.2020 8:04



B805-HAU



RINSE VALVE - RUBICON
B805-HAU, 26:11:18

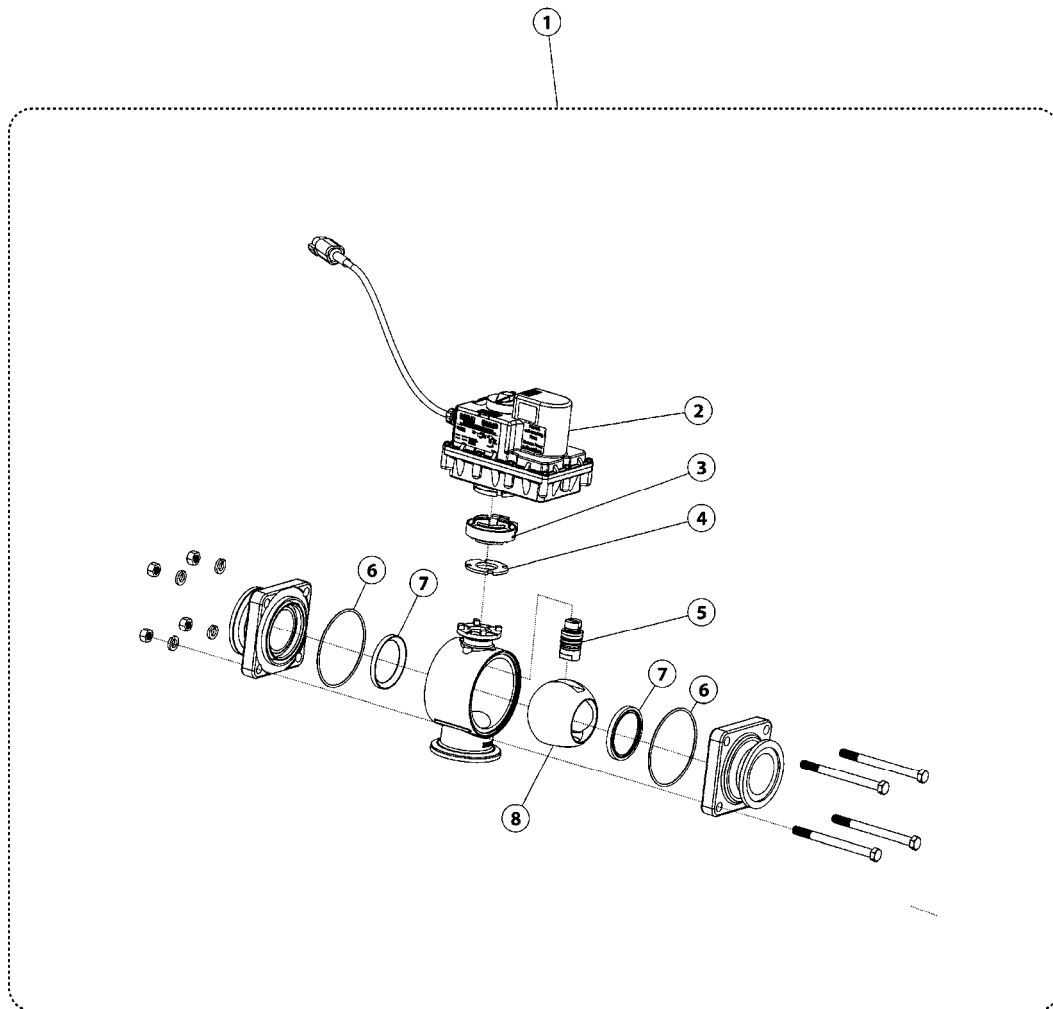
Page 1

Date 07.02.2020 8:04

Pos.	parts-n°	order qty	description
1	MA534004008	1	RINSE VALVE WITH CONNECTION
2	28105504	1	O-RING 4081 NBR
3	28105604	1	LIP SEAL Ø20/28 FKM
4	28104904	1	SPACER RING 30X20X1
5	28105004	1	O- RING 156 VITON
6	28105104	1	O- RING 119 VITON
7	28104804	1	1¼" VALVE BALL& STEM
8	28105404	1	O-RING 4150 VITON
9	28105304	1	O-RING 4118 VITON
10	28105204	1	1¼" VALVE BALL SEAT
11	MA702008016	1	LOCKNUT M8 A2 985
12	MA702008002	1	LOCKNUT M6 A2 985
13	MA251069000	1	RINSE VALVE CONNECTOR BRACKET
14	MA176635000	1	MOUNTING CLIP DEUTSCH
15	MA701003058	1	BOLT M6X16 ALLEN A2 912
16	MA701001071	1	BOLT HEX M8X20 A2 933



BYPASS VALVE - RUBICON
B806-HAU, 26:11:18



B806-HAU

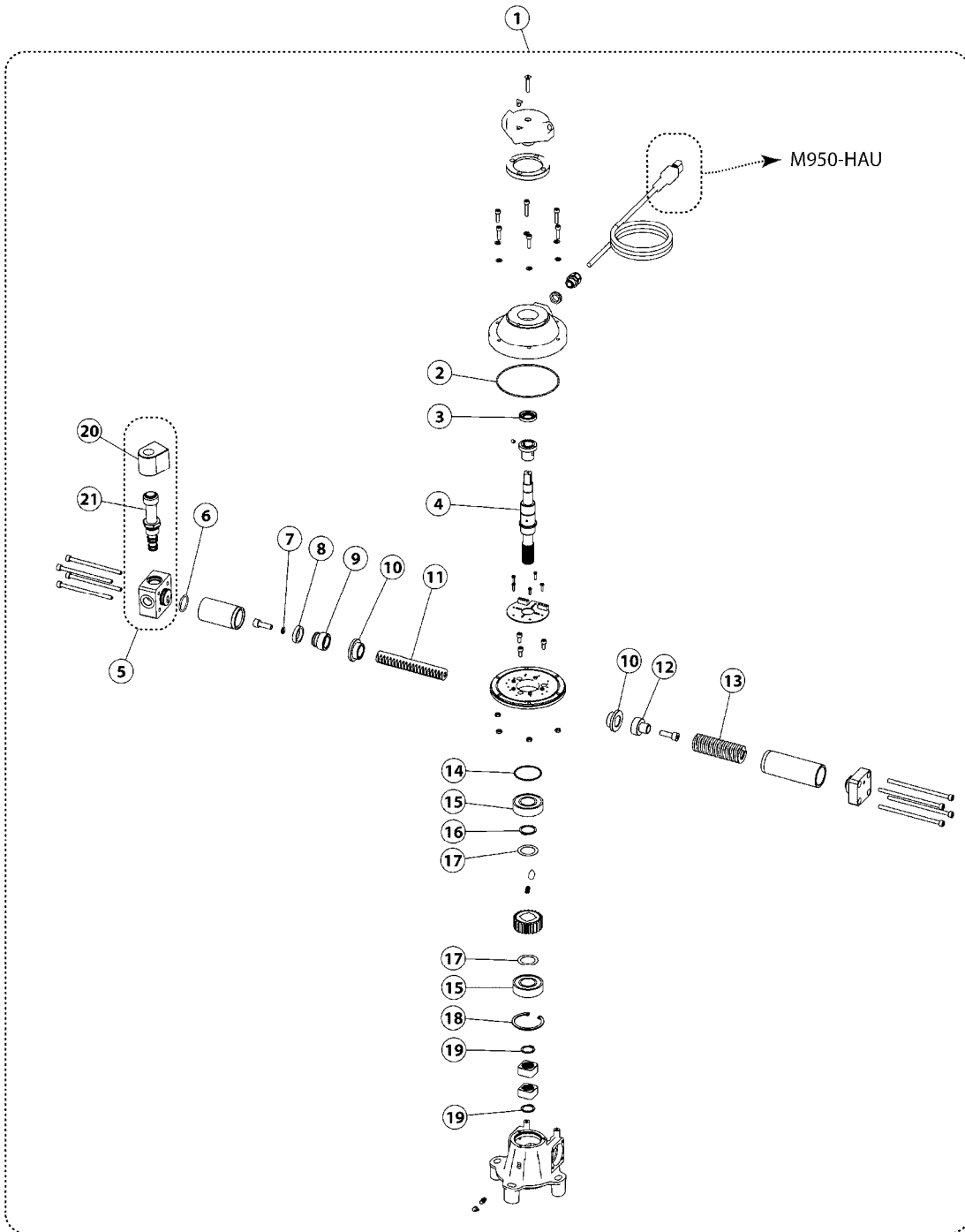


BYPASS VALVE - RUBICON
B806-HAU, 26:11:18

Page 1

Date 07.02.2020 8:04

Pos.	parts-n°	order qty	description
1	MA534004018	1	3 WAY VALVE BANJO
2	28099304	1	ELECTRIC VALVE ACTUATOR ON/OFF
3	28009204	1	BANJO CLAMP 100SERIES-FC100
4	28098704	1	ELECTRIC VALVE WEEP HOLE FILTER
5	28098904	1	2" FP TOP LOAD STEM
6	28094904	1	VALVE BODY O-RING
7	28099004	1	2" FP VE SEAT TFM
8	28099204	1	3" FP VE 3-WAY SS BALL



B807-HAU



VALVE ELECTRICAL EQUIPMENT -
RUBICON
B807-HAU, 14:12:18

Page 1

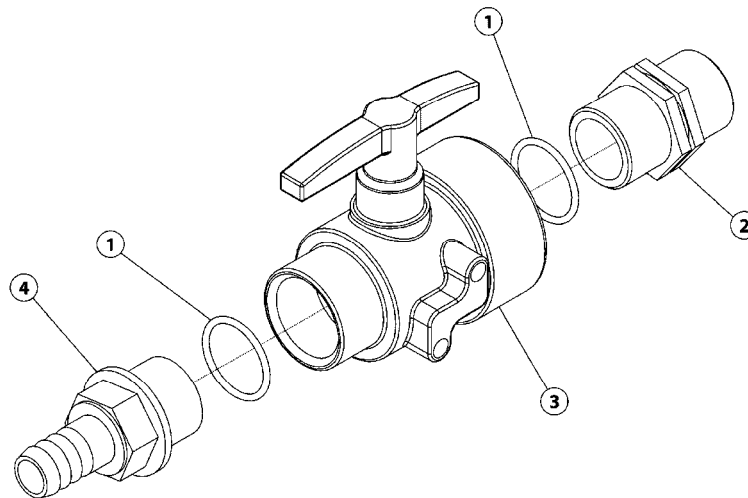
Date 07.02.2020 8:04

Pos.	parts-n°	order qty	description
1	28022201	1	ELECT ACTUATOR, 4 POSITIONS 68108299
2	28104204	1	O-RING 2X105 NBR
3	28103804	1	SEAL NBR73 16X30X5 G52
4	28103104	1	ELECTRO/HYD. ACTUATOR DRIVE SHAFT L=178
5	28104504	1	ELECTRO-HYD. ACTUATOR VALVE - COMPLETE
6	28103904	1	O-RING 3100 NBR
7	28104004	1	O-RING 2X8 NBR
8	21001101	1	ACTUATOR GASKET 22X30X6 80027700
9	28103204	1	ELECTRO-HYDRAULIC ACTUATOR PISTON
10	28103304	1	ELECTRO-HYDRAULIC ACTUATOR FLANGE
11	27030301	1	DRIVE RACK D20 MOD2 68111401
12	28104404	1	RETURN SPRING PISTON
13	22001101	1	RETURN SPRING 32X89
14	28104304	1	O-RING 2175 NBR
15	28103504	1	BEARING 6205/2RS (25X52X15)
16	28103604	1	EXTERNAL SNAP RING Ø25
17	28103404	1	WASHER 25.2X35X0.5
18	28103704	1	INTERNAL SNAP RING Ø52
19	28104104	1	EXTERNAL SNAP RING Ø20
20	26048701	1	SOLENOID COIL 68108800
21	78205501	1	SOLENOID VALVE 3V 3P



SUCTION FILTER DRAIN VALVE -
RUBICON
B809-HAU, 19:04:17

Page	0
Date	07.02.2020 8:04



B809-HAU



SUCTION FILTER DRAIN VALVE -
RUBICON
B809-HAU, 19:04:17

Page 1

Date 07.02.2020 8:04

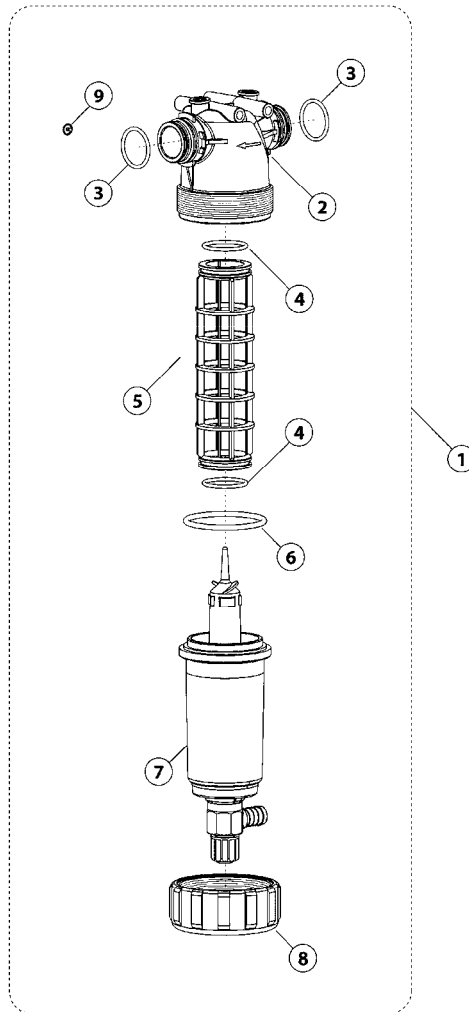
Pos.	parts-n°	order qty	description
1	MA045348000	1	O-RING 29.92 X 2.62 NITRIL 72SH
2	MA718007002	1	FITT. THREADED NIPPLE G1"
3	MA534003001	1	BALL VALVE G1" DN25
4	MA237811000	1	FITTING STRAIGHT 1" Ø19



FILTER ARAG 32621D4 SERIES
B811-HAU, 23:03:18

Page 0

Date 07.02.2020 8:04



B811-HAU



FILTER ARAG 32621D4 SERIES
B811-HAU, 23:03:18

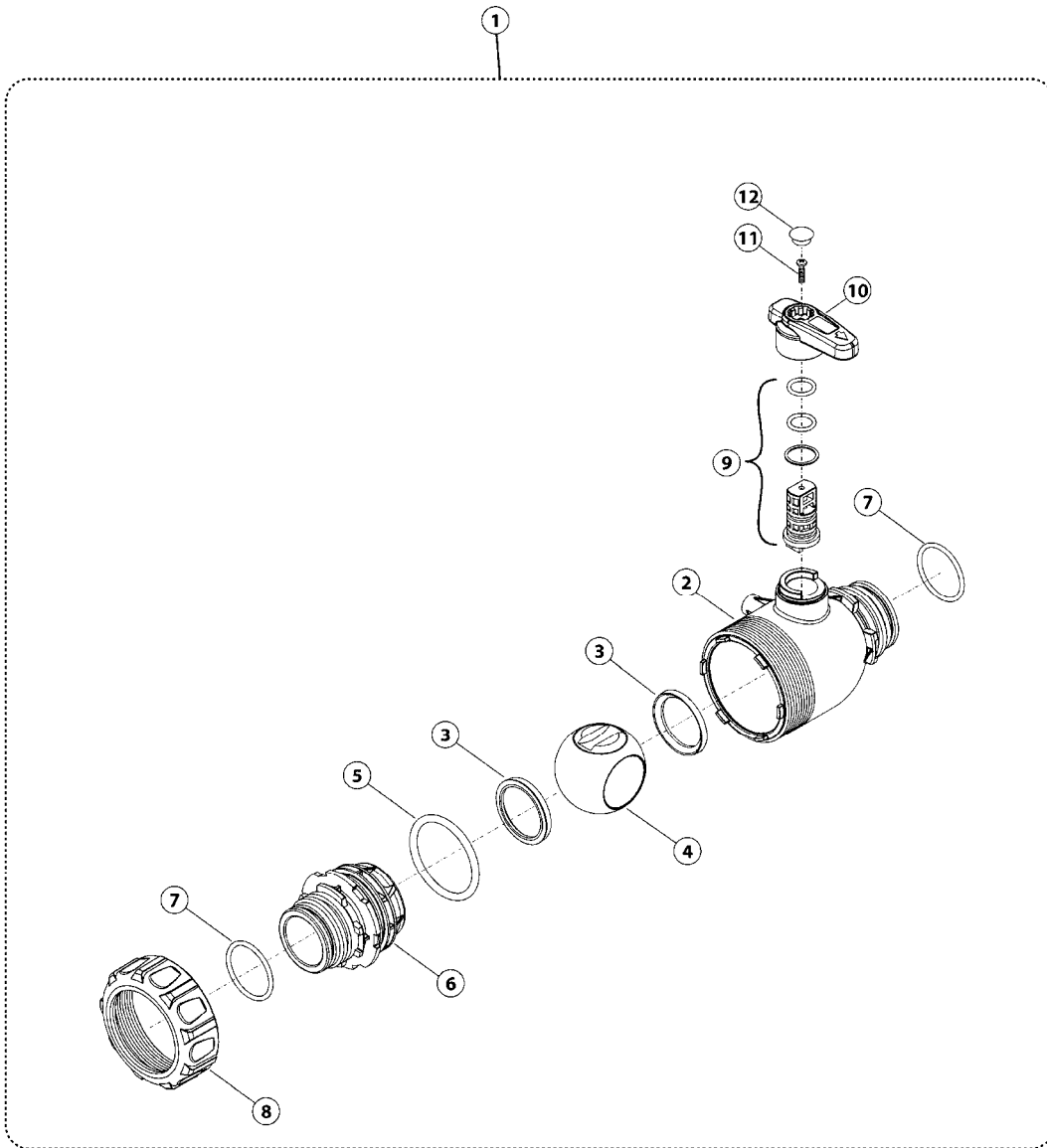
Page 1

Date 07.02.2020 8:04

Pos.	parts-n°	order qty	description
1	28003504	1	IN-LINE T5 FILTER 100 MESH
1	28004304	1	IN-LINE T5 FILTER 80 MESH
1	28004404	1	IN-LINE T5 FILTER 50 MESH
2	28004204	1	IN-LINE FILTER BODY T5
3	24001104	1	O RING T5 3.53X36.10 NBR70
4	5913280-4	1	ORING F.SCREEN 328 SERIES
5	A326004.030	1	FILT. ELEMENT 58X210 GREEN 100 MESH
5	A3260035.030	1	FILT. ELEMENT 58X210 YELLOW 80 MESH
5	A326003.030	1	FILT. ELEMENT 58X210 BLUE 50 MESH
6	24003504	1	O-RING 5.34 X 74.63 EPDM
7	28004504	1	FILTER BOWL
8	28006104	1	IN-LINE FILTER NUT
9	28006204	1	GREEN CAP D 12
9	28013204	1	YELLOW CAP D 12
9	28012904	1	BLUE CAP D12



VALVE ARAG 45514406
B812-HAU, 23:03:18



B812-HAU



VALVE ARAG 45514406
B812-HAU, 23:03:18

Page 1

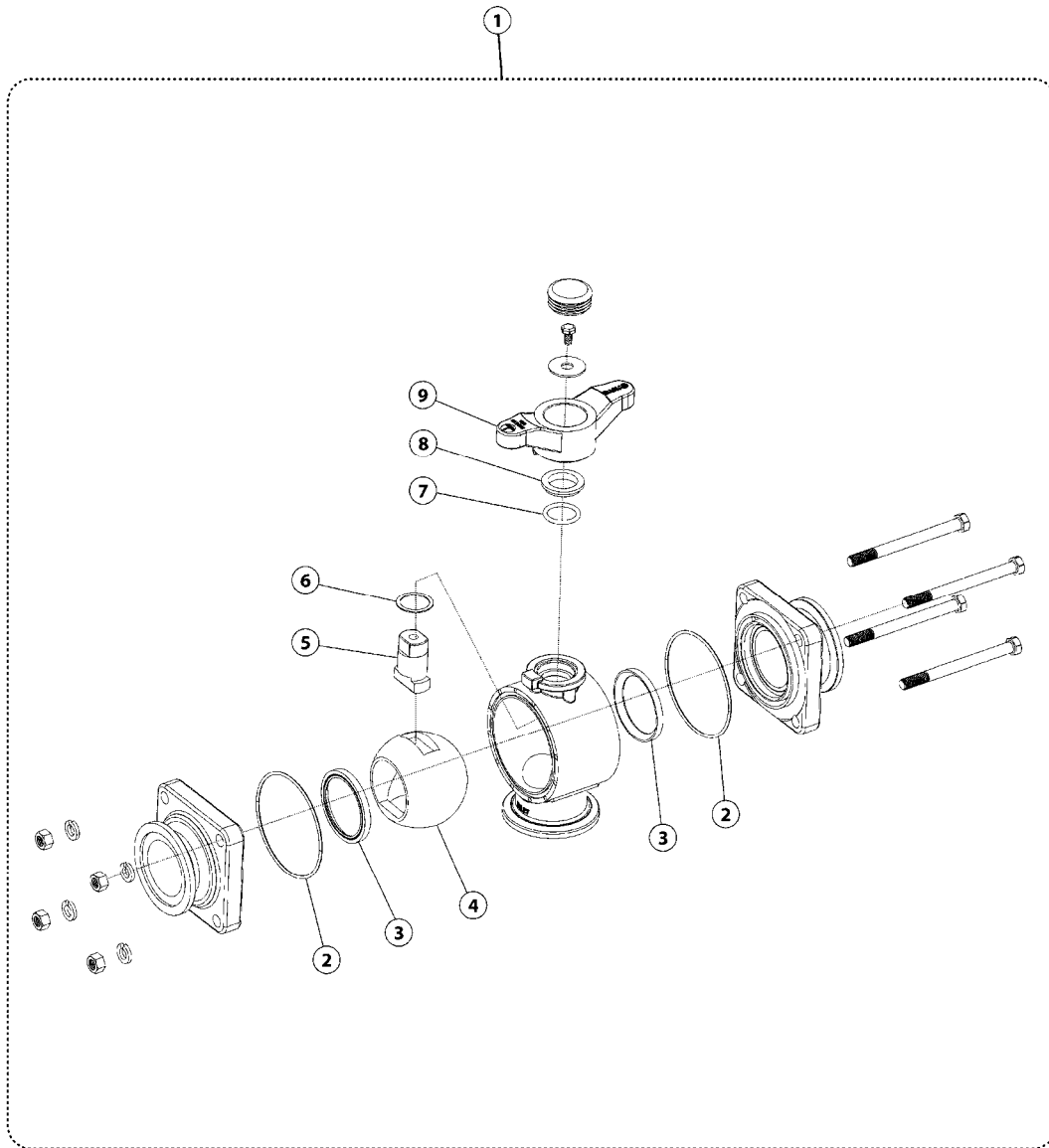
Date 07.02.2020 8:04

Pos.	parts-n°	order qty	description
1	28003104	1	VALVE 2-WAY T6 M
2	28016104	1	T6 2-WAY BALL VALVE BODY
3	28016204	1	VALVE SEAT 1.5" BALL VALVE PTFE
4	28016604	1	BALL VALVE 2-WAY D65 DN 40
5	24004804	1	O-RING 5.34 X 56.52 EPDM
6	28017504	1	BALL VALVE T6 BACK NUT
7	24005004	1	O-RING 3.53 X 41.28 EPDM
8	28018104	1	NUT FOR 1.5" BALL VALVE
9	28019004	1	BALL VALVE 1.5" PIN W/O-RINGS
10	28024304	1	RED HANDLE DN 25
11	28024004	1	SELF-TAPPING SCREW 4X16 SS
12	28055604	1	INDICATOR BUTTON RED



BANJO FLANGED 2" 3-WAY FULL
PORT VALVE
B815-HAU, 23:07:18

Page	0
Date	07.02.2020 8:04



B815-HAU



BANJO FLANGED 2" 3-WAY FULL
PORT VALVE
B815-HAU, 23:07:18

Page 1
Date 07.02.2020 8:04

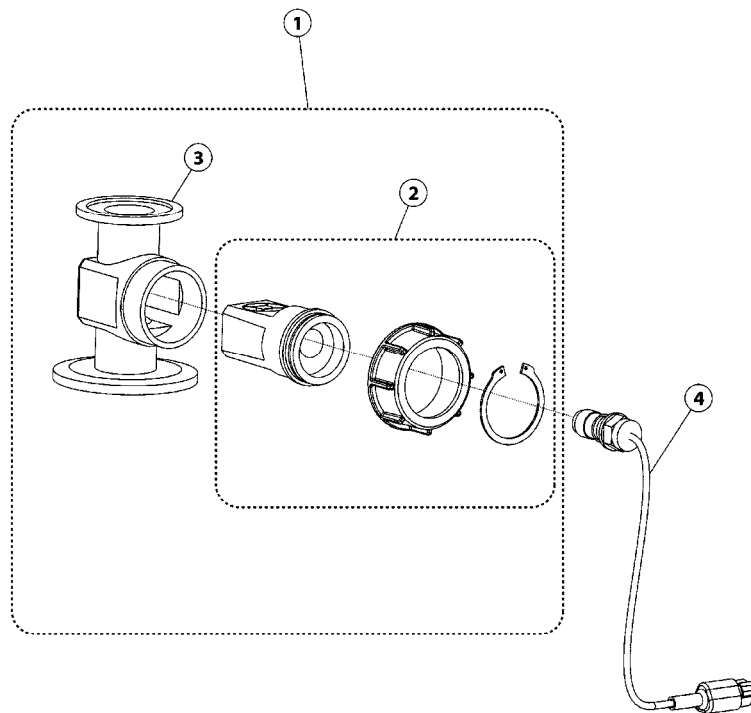
Pos.	parts-n°	order qty	description
1	MA534003019	1	VALVE 3-WAY 2" FP
2	28094904	1	VALVE BODY O-RING
3	28094804	1	3" FP valve ball seat
4	28094604	1	2" FP BL 3-way ball
5	28093704	1	2" FP Stubby Stem
6	28095004	1	Valve stem thrust bearing
7	28093504	1	"O" ring FKM #214
8	28093404	1	Stem Bushing
9	28094704	1	2" FP BL "T" handle



FLOWMETER - RUBICON
B818-HAU, 26:11:18

Page 0

Date 07.02.2020 8:04



B818-HAU

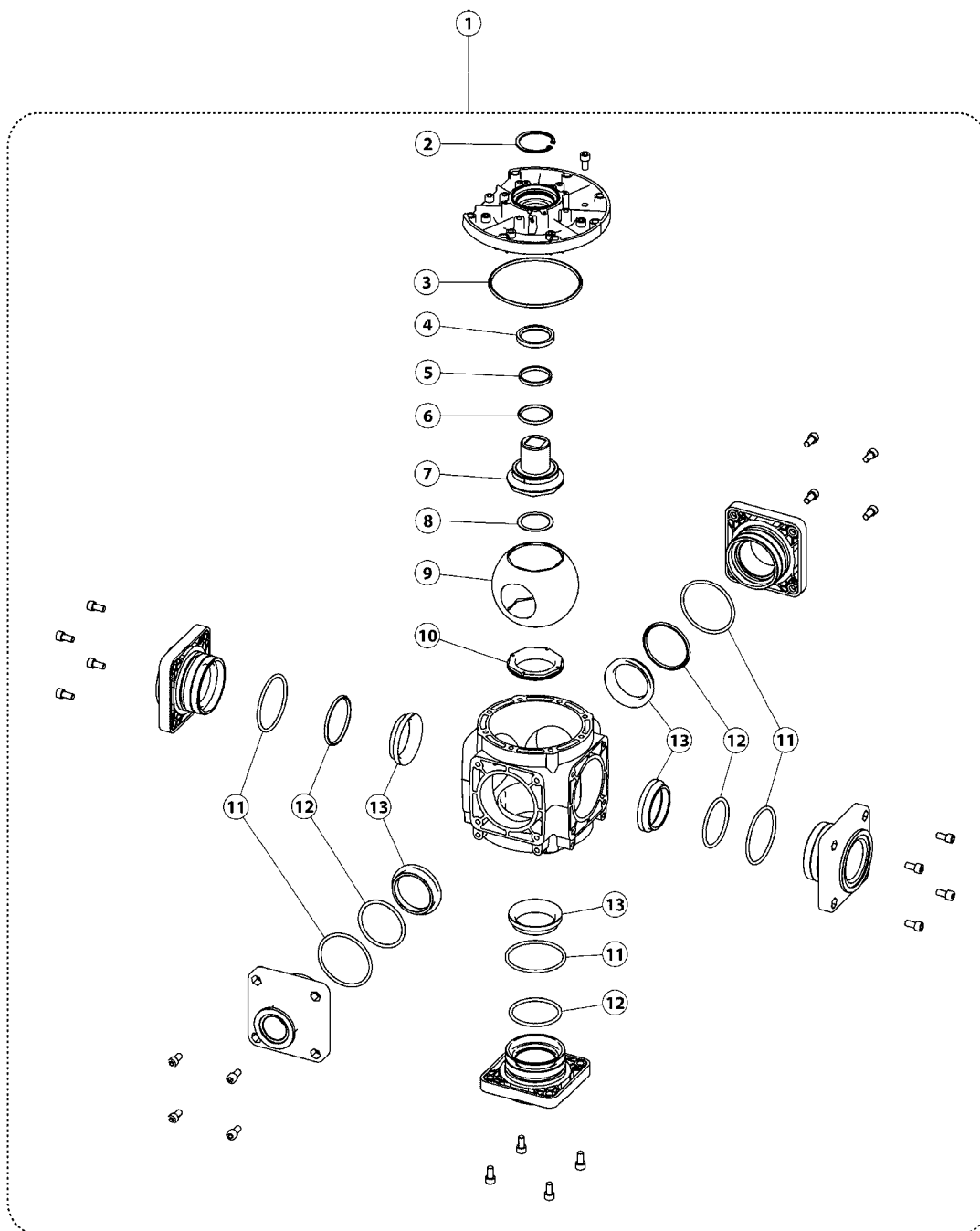


FLOWMETER - RUBICON
B818-HAU, 26:11:18

Page 1

Date 07.02.2020 8:04

Pos.	parts-n°	order qty	description
1	MA534007001	1	FLOW METER RAPID CHECK PLUS 1"1/2 - CO
2	MA534007002	1	MA534007002
3	MA534007003	1	FLOW METER - XL/MIN - 2" BANJO
4	MA243530000	1	Magnetic sensor for Flow meter RAPID C



B820-HAU



POLMAC SUCTION VALVE MAIN BODY
B820-HAU, 18:12:18

Page 1

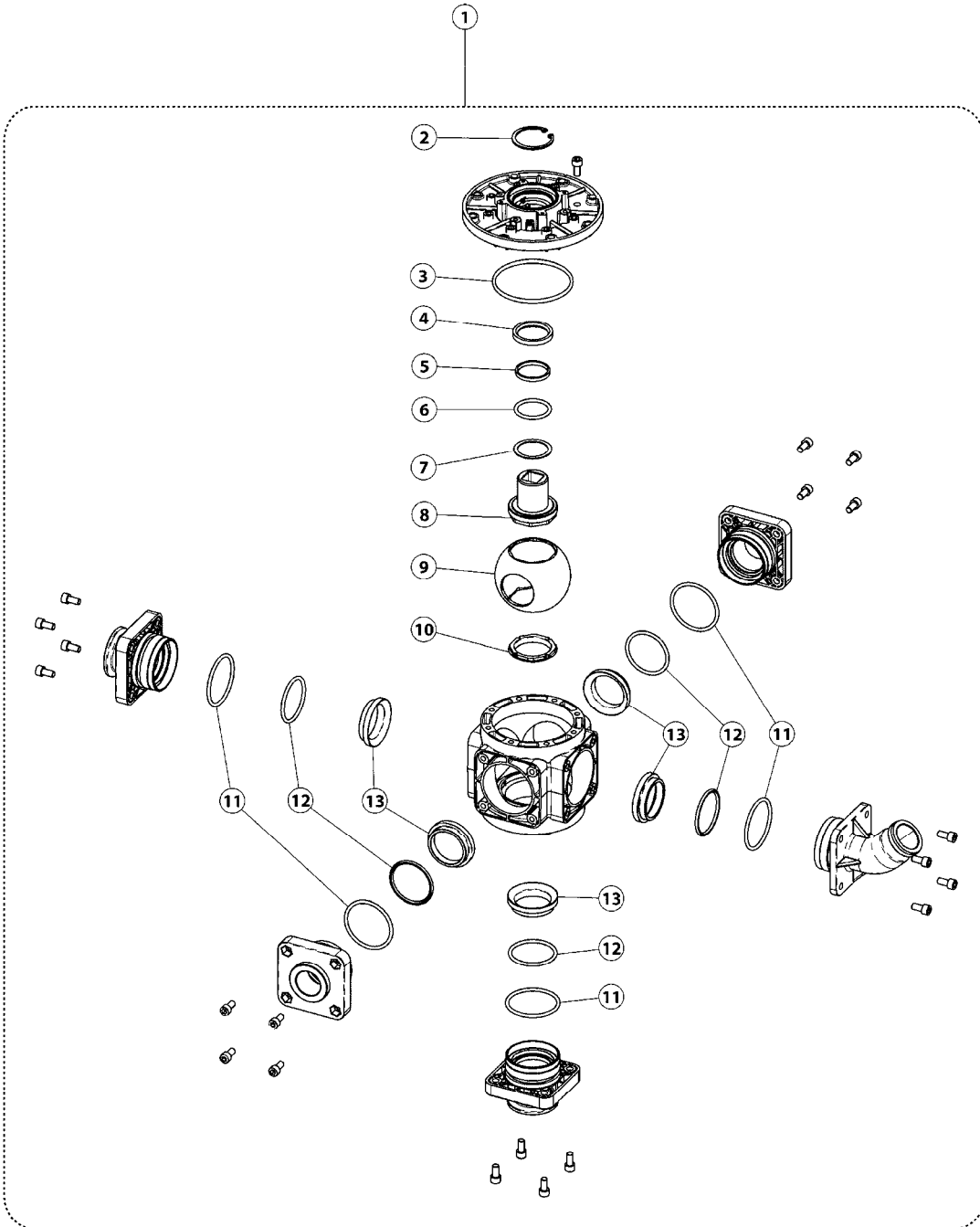
Date 07.02.2020 8:04

Pos.	parts-n°	order qty	description
1	28104604	1	POLMAC SUCTION VALVE ASSEMBLY - NO ACTUATOR
2	28102804	1	INTERNAL SNAP RING Ø65
3	24009701	1	O-RING 5.34x151.77 VITON 80016132
4	MA244139000	1	SEAL NBR73 50X65X8
5	278689	1	VALVE GUIDE RING WRI 50 80028700
6	248218	1	O-RING 5.34 X 50.17 VITON
7	27015401	1	BALL COUPLER Ø150 P0001136
8	278688	1	VALVE RING 62X50X1 104013PT
9	27015101	1	VALVE BALL SS D150-D70 P0002130
10	28102704	1	VALVE BALL SPACER RING (OCTAGONAL)
11	24009901	1	O-RING R 5.34 X 94.62 80015932
12	24010001	1	O-RING 5.7 X 79.77 VITON 80034832
13	27015501	1	VALVE SEAT 3" P0001129



POLMAC PRESSURE VALVE MAIN
BODY
B821-HAU, 18:12:18

Page 0
Date 07.02.2020 8:04



B821-HAU

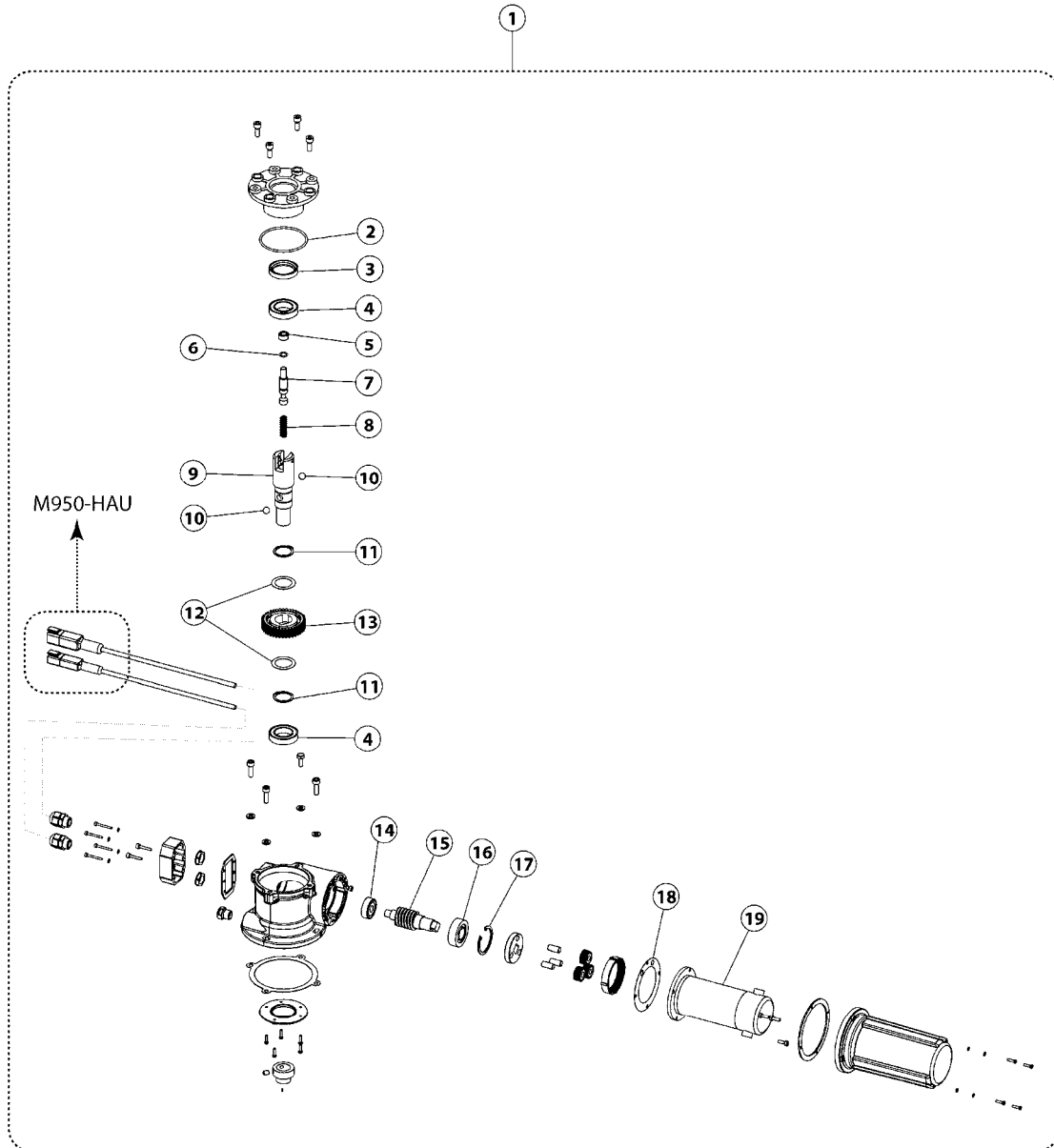


POLMAC PRESSURE VALVE MAIN
BODY
B821-HAU, 18:12:18

Page 1

Date 07.02.2020 8:04

Pos.	parts-n°	order qty	description
1	28104704	1	POLMAC PRESSURE VALVE ASSEMBLY - NO ACTUATOR
2	28102804	1	INTERNAL SNAP RING Ø65
3	248219	1	O-RING 5,34 X 120,65 VITON 80012332
4	MA244139000	1	SEAL NBR73 50X65X8
5	278689	1	VALVE GUIDE RING WRI 50 80028700
6	248218	1	O-RING 5.34 X 50.17 VITON
7	27053701	1	ANNEAU 62X50X1,5 VANN 104046PT
8	27015301	1	MANCHON SPERE INOX D124
9	27001201	1	SST BALL Ø124-Ø60 P0002132
10	28103004	1	2½" VALVE BALL SPACER RING (OCTAGONAL)
11	248223	1	BAGUE R 5,34 X 78,74 80012432
12	28102904	1	'O' RING 6275 VITON
13	278693	1	GARNITURE VANNE 2 1/2 104123PT



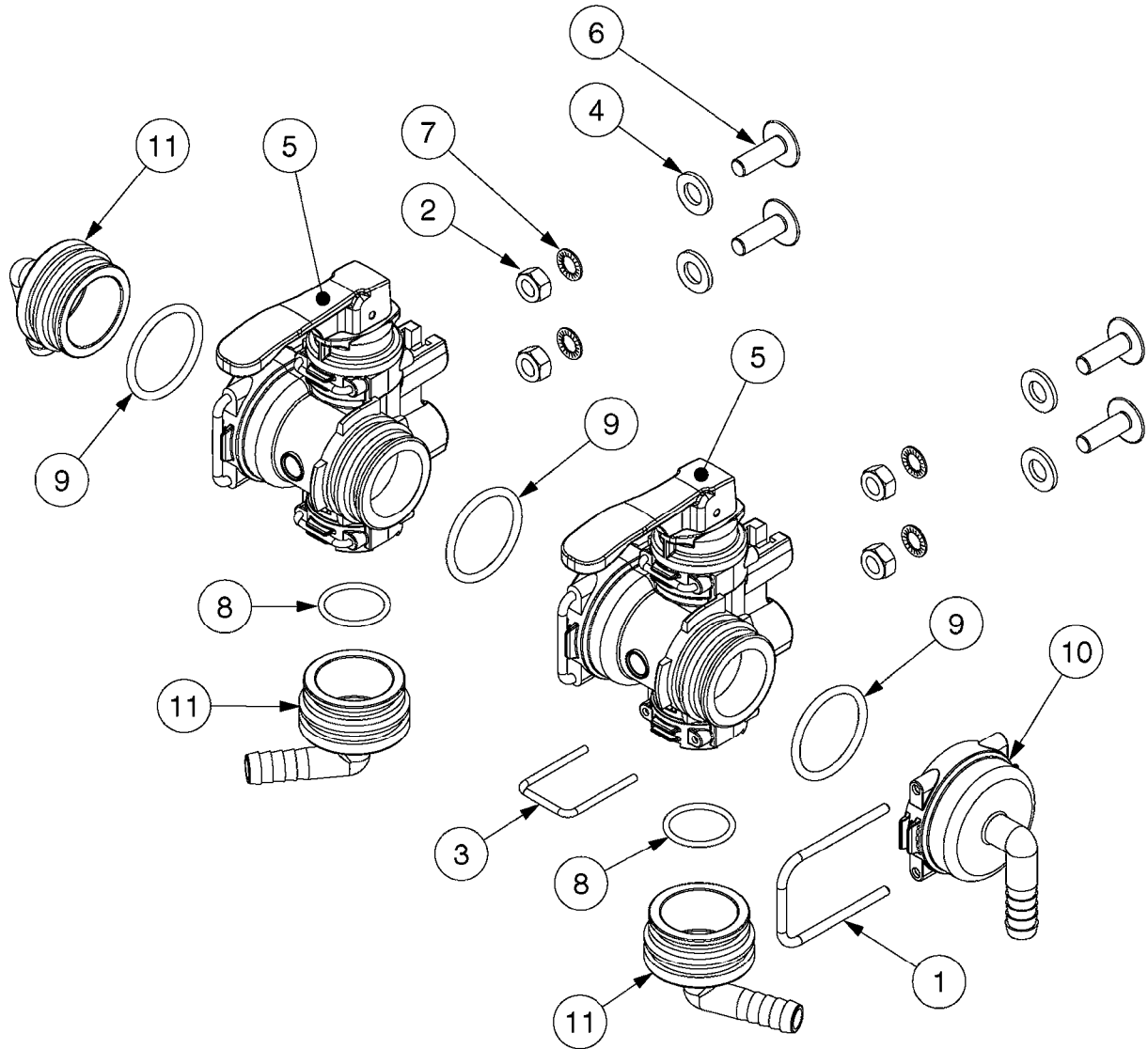
B822-HAU



POLMAC VALVE ELECTRIC ACTUATOR
B822-HAU, 18:12:18

Page 1
Date 07.02.2020 8:04

Pos.	parts-n°	order qty	description
1	28107304	1	ELECTRIC VALVE ACTUATOR - COMPLETE 4 POSITION
2	28107004	1	'O' RING 3256
3	28106304	1	SEAL NBR73 30x42x7 gp
4	28106204	1	BEARING 61905/2RS 25x42x9
5	28106804	1	MOTOR DISCONNECT PIN FERRULE
6	28107104	1	'O' RING 108
7	28106404	1	MOTOR DISENGAGE PIN
8	28106704	1	MOTOR DISCONNECT PIN SPRING
9	28106104	1	1¼" DRIVE SHAFT
10	28106504	1	3/8" BALL BEARING
11	28103604	1	EXTERNAL SNAP RING Ø25
12	28103404	1	WASHER 25.2X35X0.5
13	28105704	1	DRIVE GEAR (PLASTIC)
14	28105904	1	BEARING 7200BE OBLIQUE 10x30-9
15	28105804	1	WORM DRIVE
16	28106004	1	BEARING 7203BE OBLIQUE 17x40-12
17	28106604	1	INTERNAL CIRCLIP Ø40
18	28106904	1	MOTOR GASKET 60W Ø80 sp 0.3
19	28107204	1	MOTOR 12VDC/4A/2000rpm Ø54



B0810



MANUAL INDUCTION VALVE -
RUBICON
B0810-HIN, 10:07:18

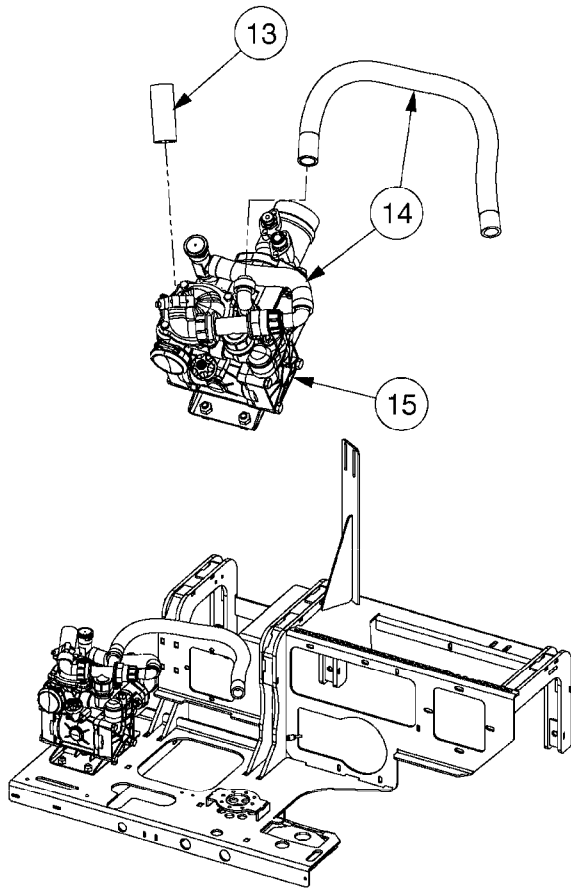
Page 1

Date 07.02.2020 8:04

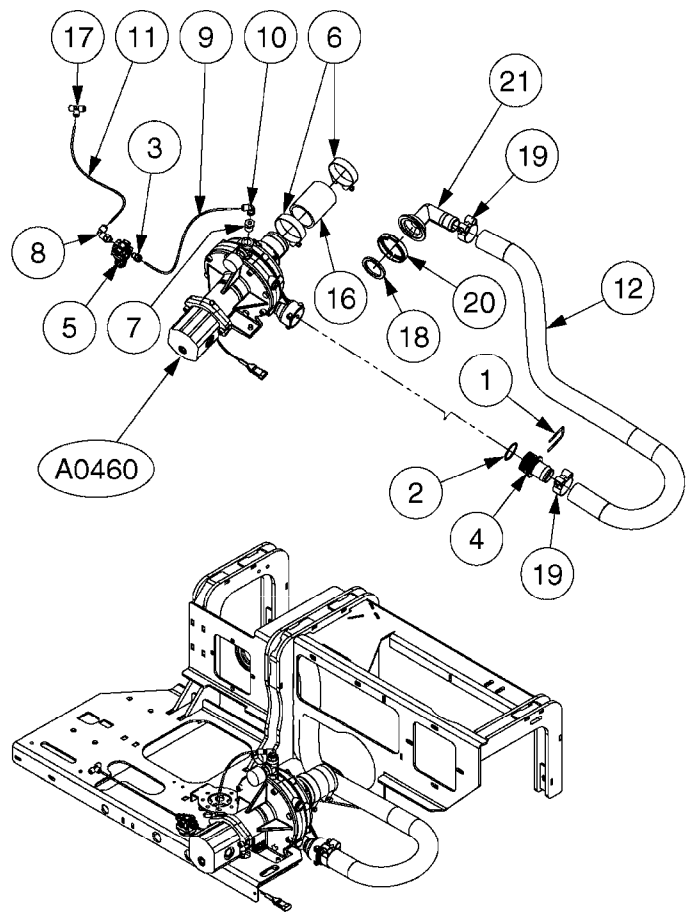
Pos.	parts-n°	order qty	description
1	145996	1	FITT.DK S-67 FORK
2	460143	1	SELF LOCK NUT M8 SST A2 DIN985
3	27044201	1	FORK Ø3-29
4	MA237294000	1	FLAT GASKET D19/D10 X 2MM
5	MA534001006	1	MANUAL VALVE 463T
6	MA701022010	1	RLS SCREW M8X25 A225129
7	MA703003010	1	WASHER INT JZ08 A2 27625
8	MA705002015	1	O-RING T3 VITON
9	MA705002034	1	O-RING T5 VITON
10	MA718009003	1	90° ELBOW FITTING FEMALE T5 DIA13
11	MA718011019	1	CONNECTION T5M-DN13



RINSE PUMP



MAIN PUMP



B0820

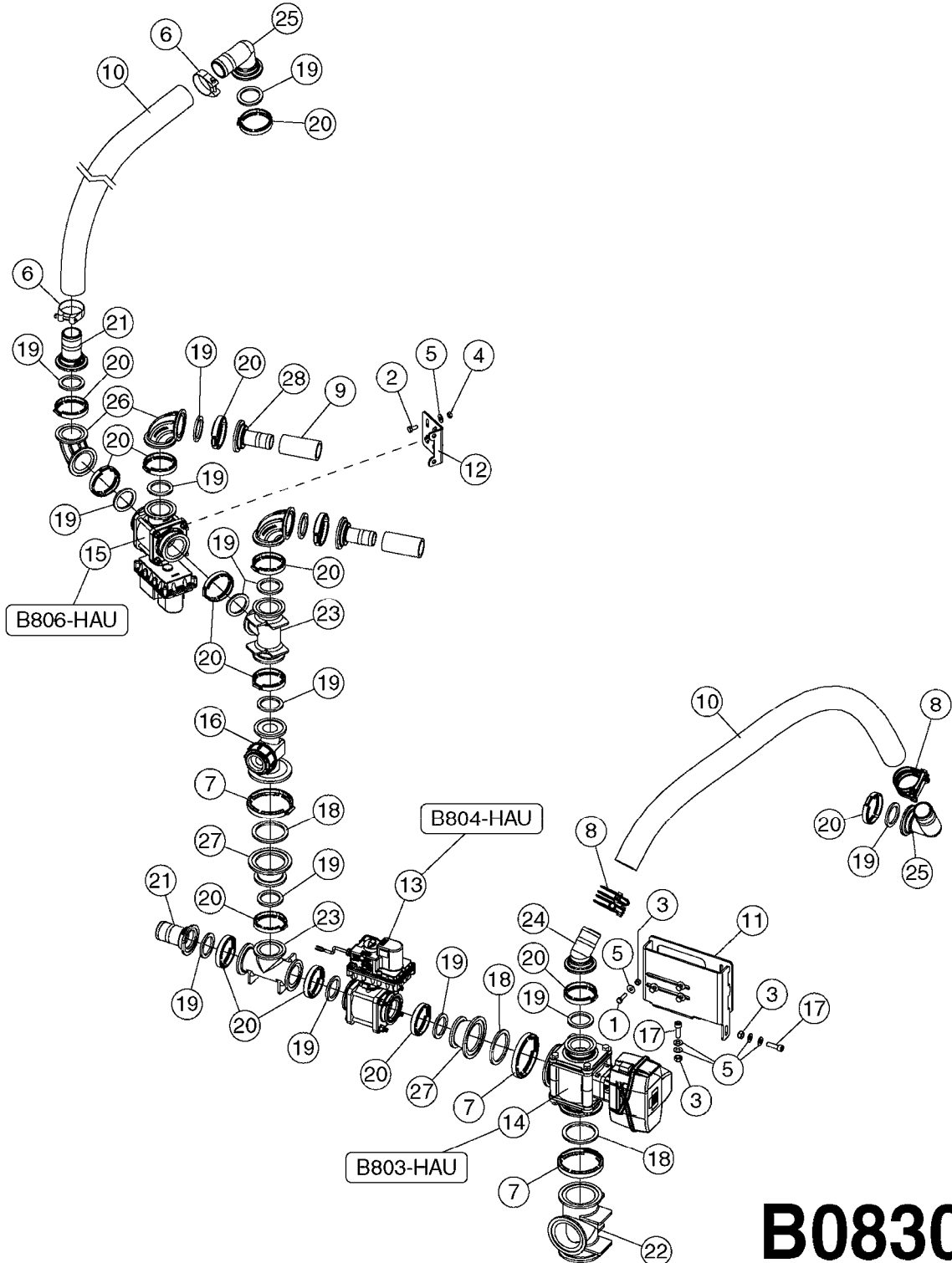


RINSE/MAIN PUMPS - RUBICON
B0820-HIN, 25:07:18

Page 1

Date 07.02.2020 8:04

Pos.	parts-n°	order qty	description
1	145996	1	FITT.DK S-67 FORK
2	242353	1	O-RING 3 X 44.2 VITON
3	288660	1	FITTING G1/4"-Ø4 mm
4	334233	1	FITT.DK S-67 STR.1-1/2" RUBBER
5	28024901	1	AIR PRESSURE REGULATOR 1/4" BSP 0.5-10B
6	28030303	1	CLAMP HOSE T-BOLT S2.5" 235-76
7	28069103	1	ADAPTER #8 SAE X 1/8" FNPT
8	MA047297000	1	CONNECTOR, ELBOW 90°, Ø6 1/4"
9	MA238304000	1	HOSE, PE, Ø4/2 X 12", BLUE
10	MA238305000	1	CONNECTOR, SWIVEL 90° 1/8" X Ø4
11	MA238306000	1	HOSE, PE, Ø6/4 X 12", CLEAR
12	MA240469000	1	HOSE Ø38X51 R4 D.38X50 / REV.:A
13	MA240475000	1	HOSE Ø30X40 R4 D.30X40 / REV.:A
14	MA244525000	1	HOSE Ø25 X 12"
15	MA247567000	1	RINSE PUMP
16	MA506007000	1	HOSE Ø2-1/2" X 12"
17	MA508015001	1	FITT. TEE Ø8-6-8
18	MA705010002	1	GASKET F. 2" FP BANJO FLANGE VITON
19	MA715006001	1	JOINT BOLT CLAMP Ø48/51
20	MA715011002	1	CLAMP F.2" FP BANJO FLANGE
21	MA718022012	1	FITT.2" FLANGE 90° ELBOW 1-1/2"



B0830



FLUID OUTLET VALVES - RUBICON
B0830-HIN, 23:01:19

Page 1

Date 07.02.2020 8:04

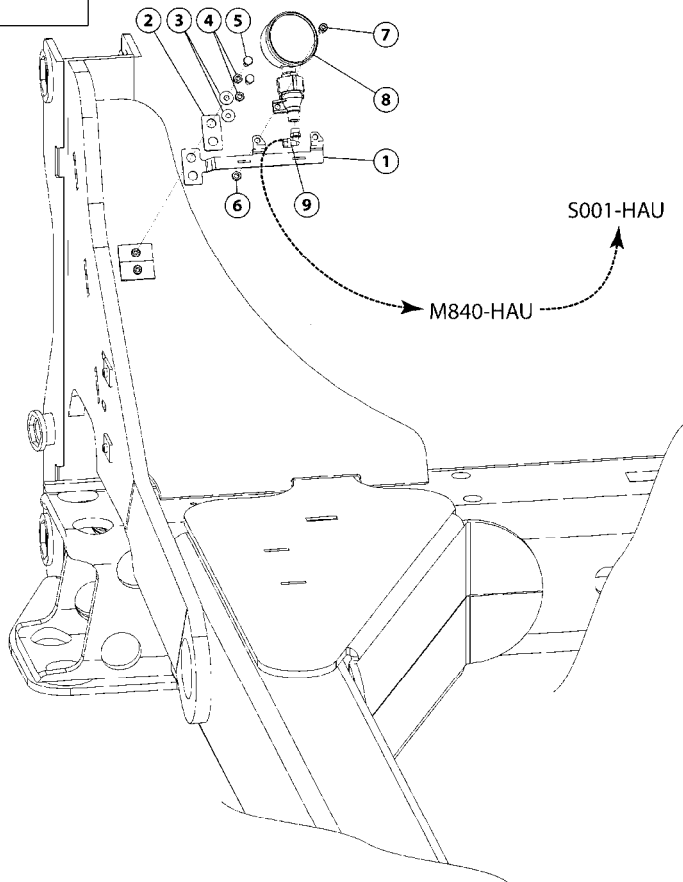
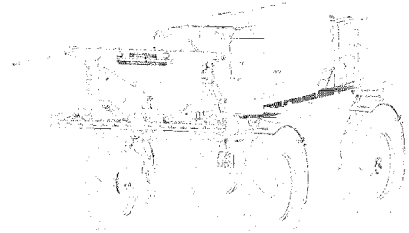
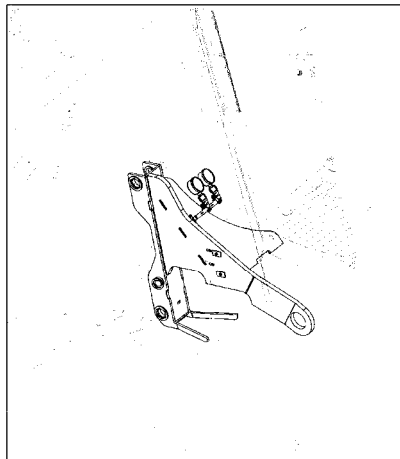
Pos.	parts-n°	order qty	description
1	420567	1	BOLT HEX 8.8 DEL M8X30 FT
2	420582	1	BOLT HEX 8.8 DEL M8X20 FT A2
3	460143	1	SELF LOCK NUT M8 SST A2 DIN985
4	460817	1	NUT HEX M8 STAINLESS DIN 934
5	471126	1	WASHER, M8, Ø16/ 8.4X 1.6, SS
6	28030203	1	CLAMP HOSE T-BOLT S2" 235-67
7	28034203	1	CLAMP F. 3" BANJO FLANGE
8	MA237524000	1	DOUBLE WIRE HOSE CLAMP Ø63-68
9	MA240469000	1	HOSE Ø38X51 R4 D.38X50 / REV.:A
10	MA240549000	1	HOSE Ø50X65 OSM II / REV.:A
11	MA249037000	1	MOTORIZED VALVE SUPPORT / REV:A
12	MA251100000	1	VALVE MT. BKT. ADJ. / REV:B
13	MA251355000	1	VALVE 5340090001 W/WIRING HARNESS
14	MA534004003	1	VALVE, BALL - 3 WAY
15	MA534004018	1	3 WAY VALVE BANJO
16	MA534007001	1	FLOW METER RAPID CHECK PLUS 1"1/2 - CO
17	MA701003168	1	BOLT CHC M10X35 EF A2 DIN 912
18	MA705010001	1	GASKET F. 3" BANJO FLANGE VITON
19	MA705010002	1	GASKET F. 2" FP BANJO FLANGE VITON
20	MA715011002	1	CLAMP F.2" FP BANJO FLANGE
21	MA718014024	1	2" FP MANIFOLD HOSE BARB
22	MA718017003	1	TEE 3" FLANGE
23	MA718017004	1	TEE 2" FP FLANGE
24	MA718022007	1	FITT.45° ELBOW FLANGE 2" FP DN50
25	MA718022008	1	FITT.2" FP FLANGE X 2" 90° ELBOW
26	MA718022017	1	FITT. 90° SWEEP 2" FP FLANGE
27	MA718023001	1	3" X 2" REDUCER FLANGE
28	MA718024002	1	FITT. 2" FP FLANGE DN40



RUBICON - FLUID PRESSURE GAUGE
S010-HAU, 02:03:18

Page 0

Date 07.02.2020 8:04



Please contact HARDI spare parts

С 2010 г. до 2020 г. до 2020 г. до 2020 г.

S010-HAU

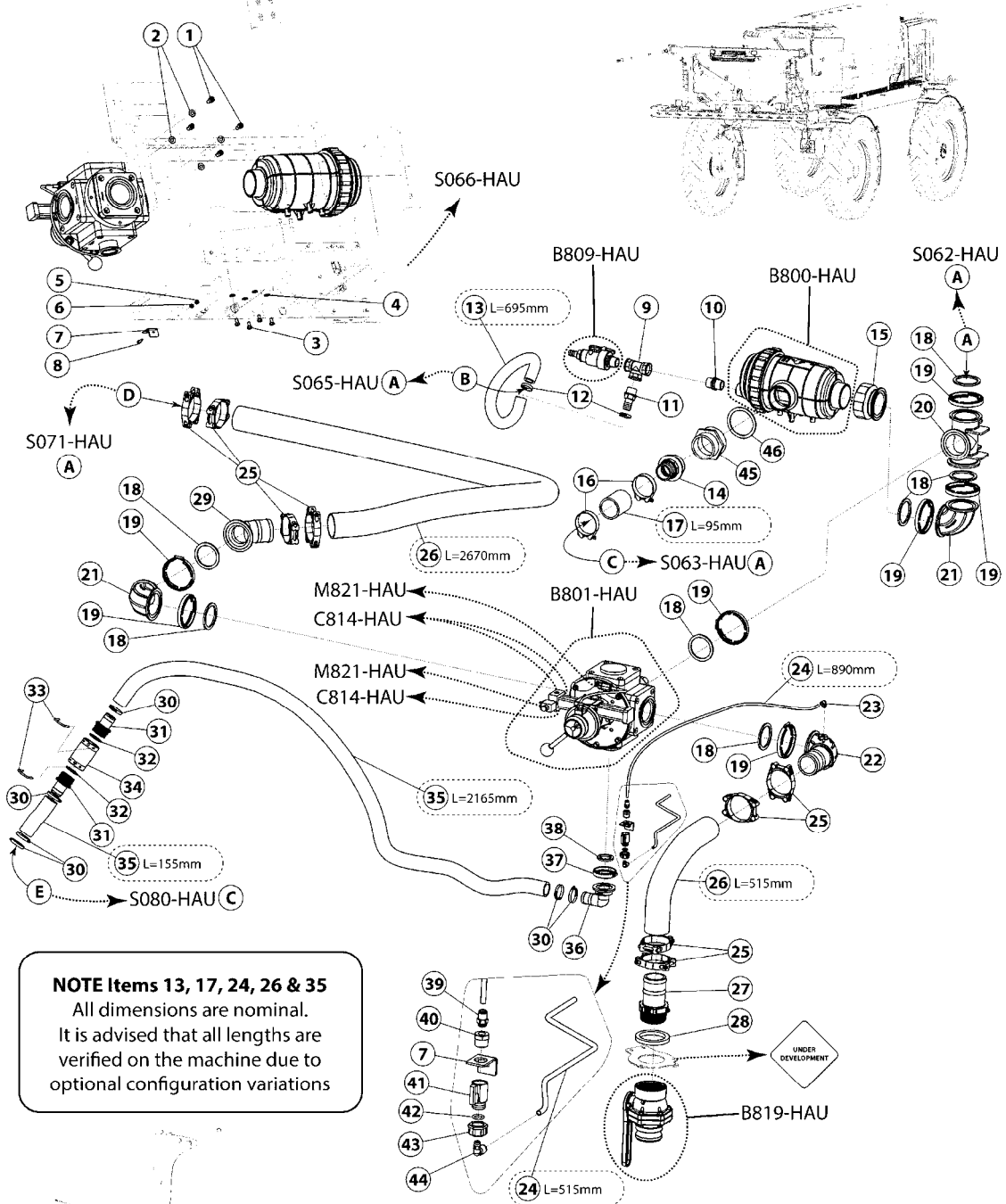


RUBICON - FLUID PRESSURE GAUGE
S010-HAU, 02:03:18

Page 1

Date 07.02.2020 8:04

Pos.	parts-n°	order qty	description
1	MA242929000	1	SUPPORT BKT./PRESSURE GAUGE - RUBICON
2	MA242930000	1	SUPPORT PLATE/PRESSURE GAUGE - RUBICON
3	MA703001006	1	WASHER L8 SS
4	MA702002019	1	NUT HEX M8 SS A2
5	MA701001071	1	BOLT HEX M8X20 A2 933
6	MA702008016	1	LOCKNUT M8 A2 985
7	MA701003090	1	BOLT CHC M8x20 ALLEN A2
8	MA237253000	1	GAUGE 4" SS
9	MA238803000	1	ELBOW PIPE FITTING 90° D8 1/4"



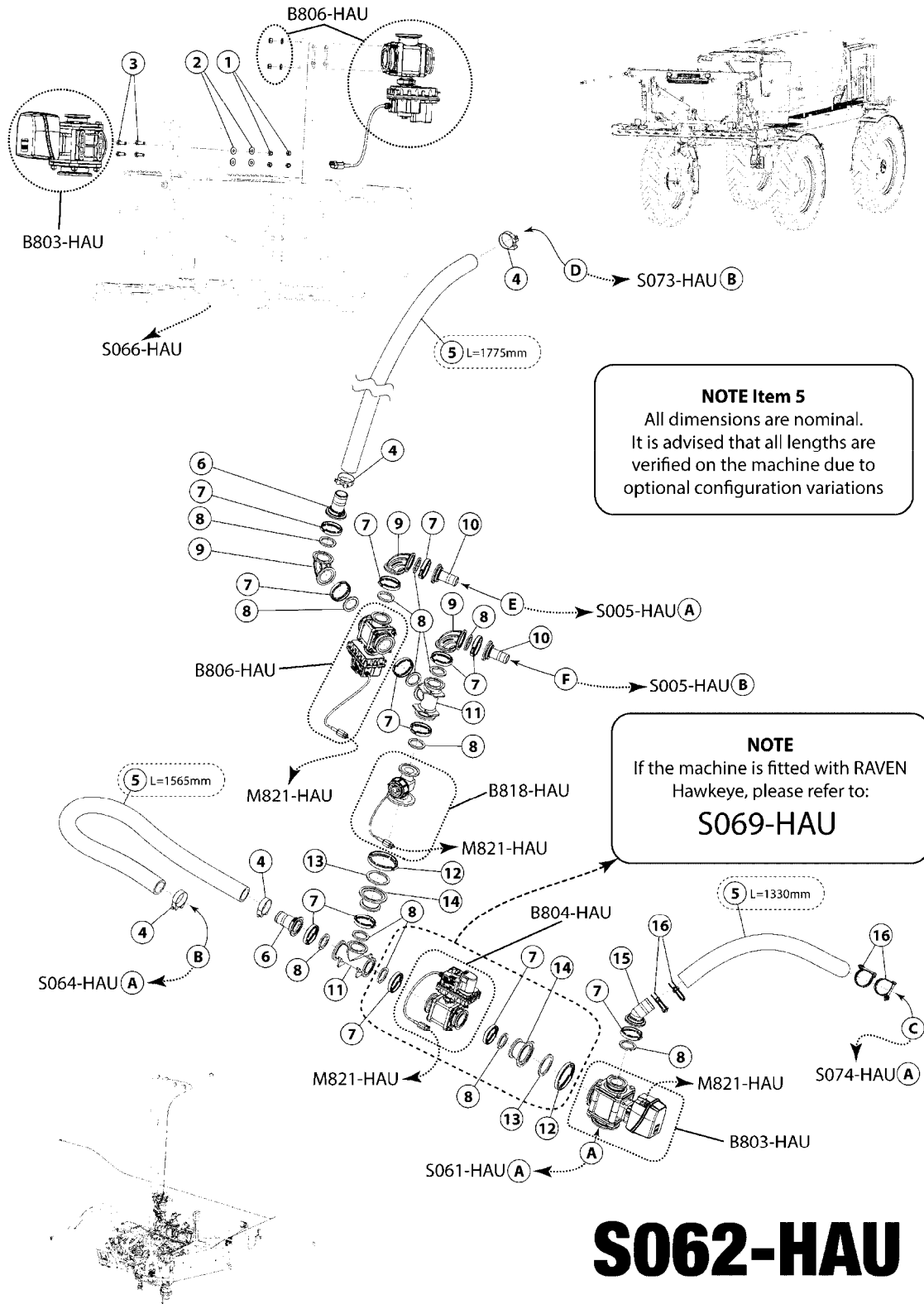
S061-HAU



RUBICON - FLUID PACK SUCTION
VALVE AND FILTER
S061-HAU, 26:11:18

Page 1
Date 07.02.2020 8:04

Pos.	parts-n°	order qty	description
1	MA701003176	1	BOLT CHC M10 X 20 ALLEN EF A2 912
2	MA703001039	1	WASHER M10 SS
3	MA701001067	1	BOLT M8X16 A2 933
4	MA703001053	1	WASHER M8 SS
5	460261	1	NUT HEX M6X1.00 LOCK DIN985 A2 SS
6	471125	1	WASHER M6U 6.4X14X1.2,A2 SS
7	16092004	1	PLATE 3 X 73 X 32/D2
8	410362	1	BOLT HEX 8.8 SS M6X20
9	MA238664000	1	FITT.TEE FEMALE 1"
10	MA718007002	1	FITT. THREADED NIPPLE G1"
11	MA718013002	1	FITT.1" BSP MALE X 25MM HOSE TAIL
12	5914248	1	WORM DRIVE CLAMP25-40MM
13	927124	1	HOSE R X 60 BAR X 1 X 0012"
14	MA251211000	1	FITT.STR.MALE G2-1/2" DN60
15	MA244630000	1	FITTING BJ113 - 3" BSP
16	MA046397000	1	CLAMP HOSE BOLT S2.5" Ø74/79
17	927725	1	HOSE VACUPRESS SE Ø63 12 BAR
18	MA705010001	1	GASKET F. 3" BANJO FLANGE VITON
19	MA715011001	1	CLAMP F.3" BANJO FLANGE
20	MA718017003	1	TEE 3" FLANGE
21	MA718022018	1	FITT.ELBOW 90° COUPLING 3" SWEEP
22	28098204	1	FITT.ELBOW 90° FLANGE 3" SWEEP WITH 1/4" PORT
23	5914231	1	1/4''X 8MM TUBEFIT ELBOW
24	5913701RD	1	TUBE POLY-8MM RED
25	MA715006017	1	JOINT BOLT CLAMP
26	92701504	1	HOSE 76MM (3") CLEAR PLUTONE W WIRE HELIX
27	28059804	1	BANJO 3"NPT M X 3" TAIL HB300
28	39005604	1	NYLON DISC Ø118/Ø90 L=12.75
29	28091104	1	BANJO 3IN FLANGE X 3IN HB-45°
30	5914249	1	WORM DRIVE CLAMP 32-50MM
31	334444	1	FITT.DK S-67 STR.1-1/2" PVC
32	242353	1	O-RING 3 X 44.2 VITON
33	145996	1	FITT.DK S-67 FORK
34	72819300	1	CHECK VALVE S67 2012 NO THREAD
35	927146	1	HOSE R X PVC X 1-1/2 X 0012"
36	MA718022016	1	FITT.ELBOW 90° FLANGE 2" DN38
37	MA715011003	1	CLAMP F.2" BANJO FLANGE
38	MA705010003	1	GASKET F. 2" BANJO FLANGE VITON
39	5914201	1	1/4''X 8MM TUBEFIT
40	5914101	1	FITT. 1/2''-1/4'' REDUCER
41	281551	1	BALL VALVE 1/2"
42	330212	1	O-RING D19/D14X2.4 F.1/2"NUT
43	322170	1	FITT.DK NUT 1/2"x 1/8"F BSP
44	5904270-7	1	ELBOW 1/8'X8MM
45	MA718025003	1	GEOLINE REDUCER 3"BSPF - 2-1/2"BSPF THR
46	MA705010004	1	FLAT GASKET 90X110X3.5

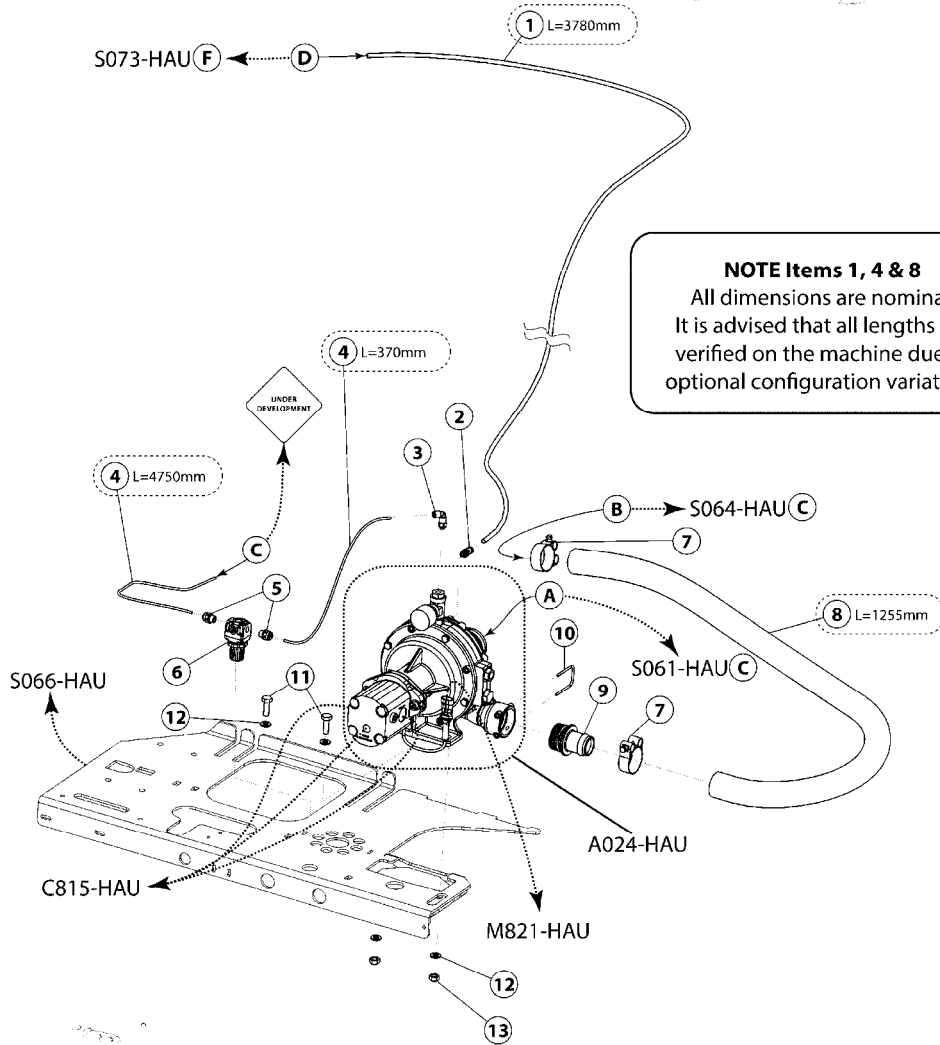
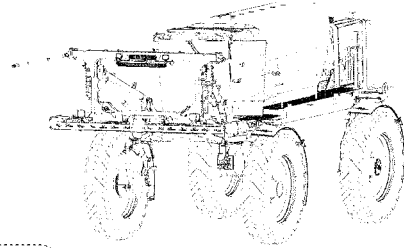




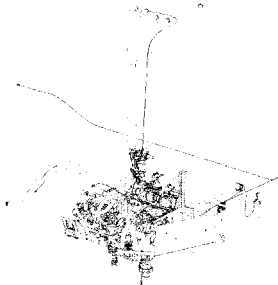
RUBICON - FLUID PACK CONTROL
MANIFOLD ASSEMBLY
S062-HAU, 27:11:18

Page 1
Date 07.02.2020 8:04

Pos.	parts-n°	order qty	description
1	MA702008016	1	LOCKNUT M8 A2 985
2	MA703001006	1	WASHER L8 SS
3	MA701001081	1	BOLT HEX M8X30 A2 933
4	MA715006025	1	CLAMP HOSE Ø60/63 INOX (MPSC4060)
5	MA240549000	1	HOSE Ø50X65 OSM II / REV.:A
6	MA718014024	1	2" FP MANIFOLD HOSE BARB
7	MA715011002	1	CLAMP F.2" FP BANJO FLANGE
8	MA705010002	1	GASKET F. 2" FP BANJO FLANGE VITON
9	MA718022017	1	FITT. 90° SWEEP 2" FP FLANGE
10	MA718024002	1	FITT. 2" FP FLANGE DN40
11	MA718017004	1	TEE 2" FP FLANGE
12	MA715011001	1	CLAMP F.3" BANJO FLANGE
13	MA705010001	1	GASKET F. 3" BANJO FLANGE VITON
14	MA718023001	1	3" X 2" REDUCER FLANGE
15	MA718022007	1	FITT.45° ELBOW FLANGE 2" FP DN50
16	MA237524000	1	DOUBLE WIRE HOSE CLAMP Ø63-68



NOTE Items 1, 4 & 8
All dimensions are nominal.
It is advised that all lengths are
verified on the machine due to
optional configuration variations



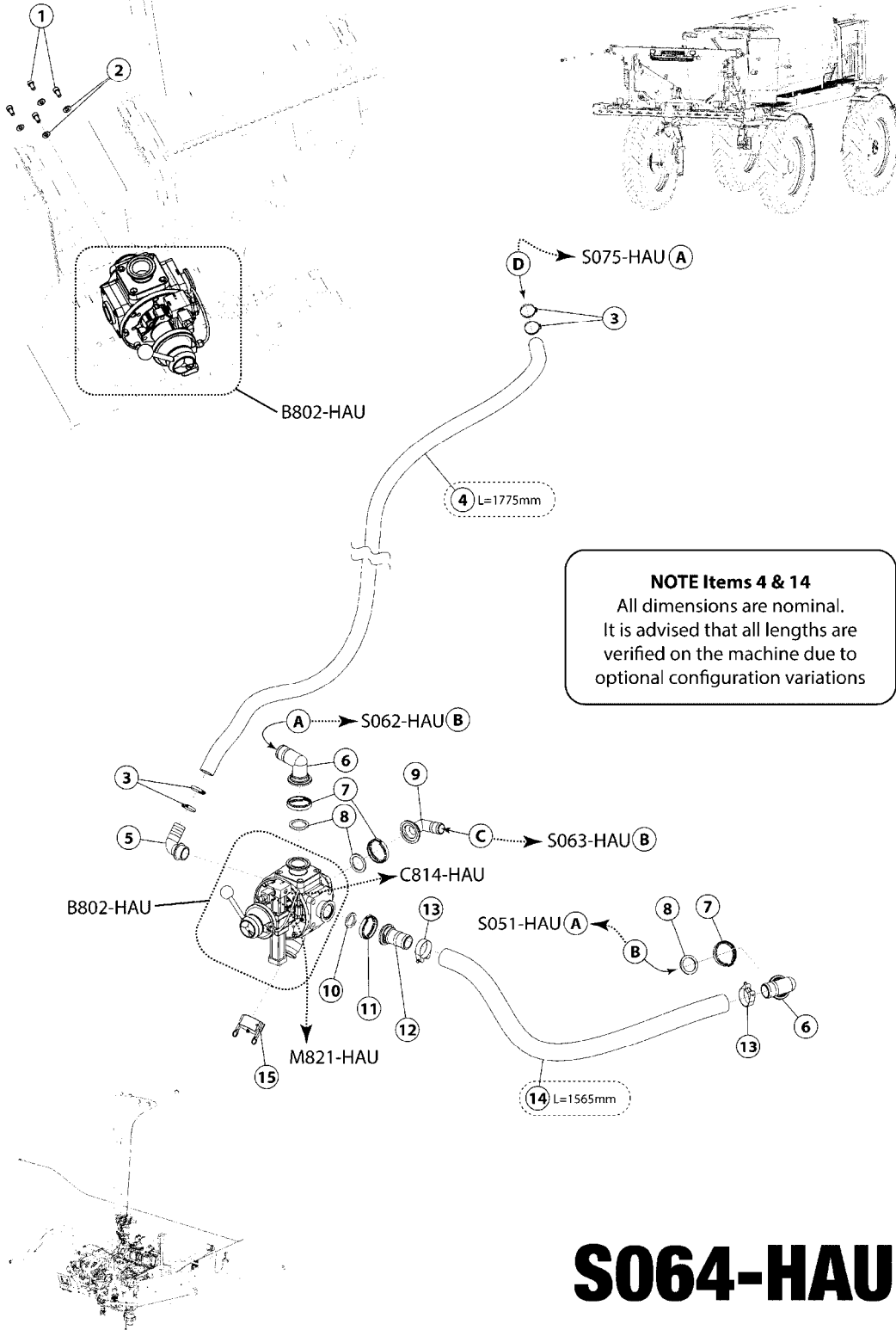
S063-HAU



RUBICON - FLUID PACK MAIN
PUMP ASSEMBLY
S063-HAU, 27:11:18

Page 1
Date 07.02.2020 8:04

Pos.	parts-n°	order qty	description
1	5913701RD	1	TUBE POLY-8MM RED
2	232114	1	COUPLER 1/8" THREADX8MM HOSE
3	MA238305000	1	CONNECTOR, SWIVEL 90° 1/8" X Ø4
4	MA238304000	1	HOSE, PE, Ø4/2 X 12", BLUE
5	MA508005005	1	FITT. STR. ADAPTER 1/4" G Ø4
6	MA508006000	1	AIR PRESSURE REGULATOR ACE HARDI
7	MA715006001	1	JOINT BOLT CLAMP Ø48/51
8	MA240469000	1	HOSE Ø38X51 R4 D.38X50 / REV.:A
9	MA718014022	1	FITT. STR. S67 Ø40
10	MA718026005	1	S-67 "U" PIN
11	421002	1	BOLT HEX 8.8 DEL M10X30 FT DIN933
12	471122	1	WASHER, M10, Ø20/10.5X 2.0, SS
13	460423	1	NUT HEX M10X1.50 LOCK DIN985A2 SS





RUBICON - FLUID PACK PRESSURE
VALVE ASSEMBLY
S064-HAU, 27:11:18

Page 1
Date 07.02.2020 8:04

Pos.	parts-n°	order qty	description
1	MA701003176	1	BOLT CHC M10 X 20 ALLEN EF A2 912
2	MA703001039	1	WASHER M10 SS
3	5914249	1	WORM DRIVE CLAMP 32-50MM
4	MA240469000	1	HOSE Ø38X51 R4 D.38X50 / REV.:A
5	MA718010001	1	FITT. ELBOW 90° 1-1/2" M Ø40
6	MA718022012	1	FITT.2" FLANGE 90° ELBOW 1-1/2"
7	MA715011002	1	CLAMP F.2" FP BANJO FLANGE
8	MA705010002	1	GASKET F. 2" FP BANJO FLANGE VITON
9	MA718022008	1	FITT.2" FP FLANGE X 2" 90° ELBOW
10	MA705010003	1	GASKET F. 2" BANJO FLANGE VITON
11	MA715011003	1	CLAMP F.2" BANJO FLANGE
12	MA718024008	1	FITT.HOSE 2" DN50
13	MA715006025	1	CLAMP HOSE Ø60/63 INOX (MPSC4060)
14	MA240549000	1	HOSE Ø50X65 OSM II / REV.:A
15	MA718000004	1	FAST COUPLING 2" CAP ARAG



RUBICON - FLUID PACK CLEAN
WATER/RINSE PUMP AND VA
S065-HAU, 27:11:18

Page 1

Date 07.02.2020 8:04

Pos.	parts-n°	order qty	description
1	MA703001111	1	WASHER M12 SS
2	MA701001164	1	BOLT HEX M12X25 A2 933
3	MA703001048	1	WASHER M6 SS
4	MA701003069	1	BOLT CHC M6X30 ALLEN A2 912
5	5914248	1	WORM DRIVE CLAMP25-40MM
6	MA240475000	1	HOSE Ø30X40 R4 D.30X40 / REV.:A
7	MA237199000	1	90° ANGLE CONNECTION
8	MA237220000	1	PLASTIC NUT 1-1/4"
9	MA237226000	1	O-RING 26.64X2.62 NITRIL
10	MA718017006	1	TEE 1-1/4" MFM
11	MA718011029	1	1-1/4" 90° ELBOW D25
12	MA237234000	1	NIPPLE 1-1/4" TO 1" REDUCING
13	MA238624000	1	FITT.REDOC.3/4"M-1/2"M
14	MA247744000	1	TEE G 3/4" FFF
15	MA247789000	1	CONICAL CAP G3/4"
16	MA251189000	1	RELIEF VALVE 145 PSI
17	MA718011002	1	1" 90° ELBOW D25
18	MA718005001	1	PLASTIC NUT 1"
19	MA230689000	1	O-RING 20.92 X 2.62
20	MA718007002	1	FITT. THREADED NIPPLE G1"
21	MA715009001	1	CLICK CLAMP N°86-195 Ø25
22	MA244525000	1	HOSE Ø25 X 12"
23	MA715002007	1	HOSE CLAMP Ø25/40
24	MA237320000	1	REAR JET CAP 3/4"
25	MA237205000	1	1/2" MALE 90° ELBOW D13
26	MA718010010	1	3/4" MALE 90° ELBOW D25



RUBICON - FLUID PACK
METALWORK AND FITTINGS
S066-HAU, 27:11:18

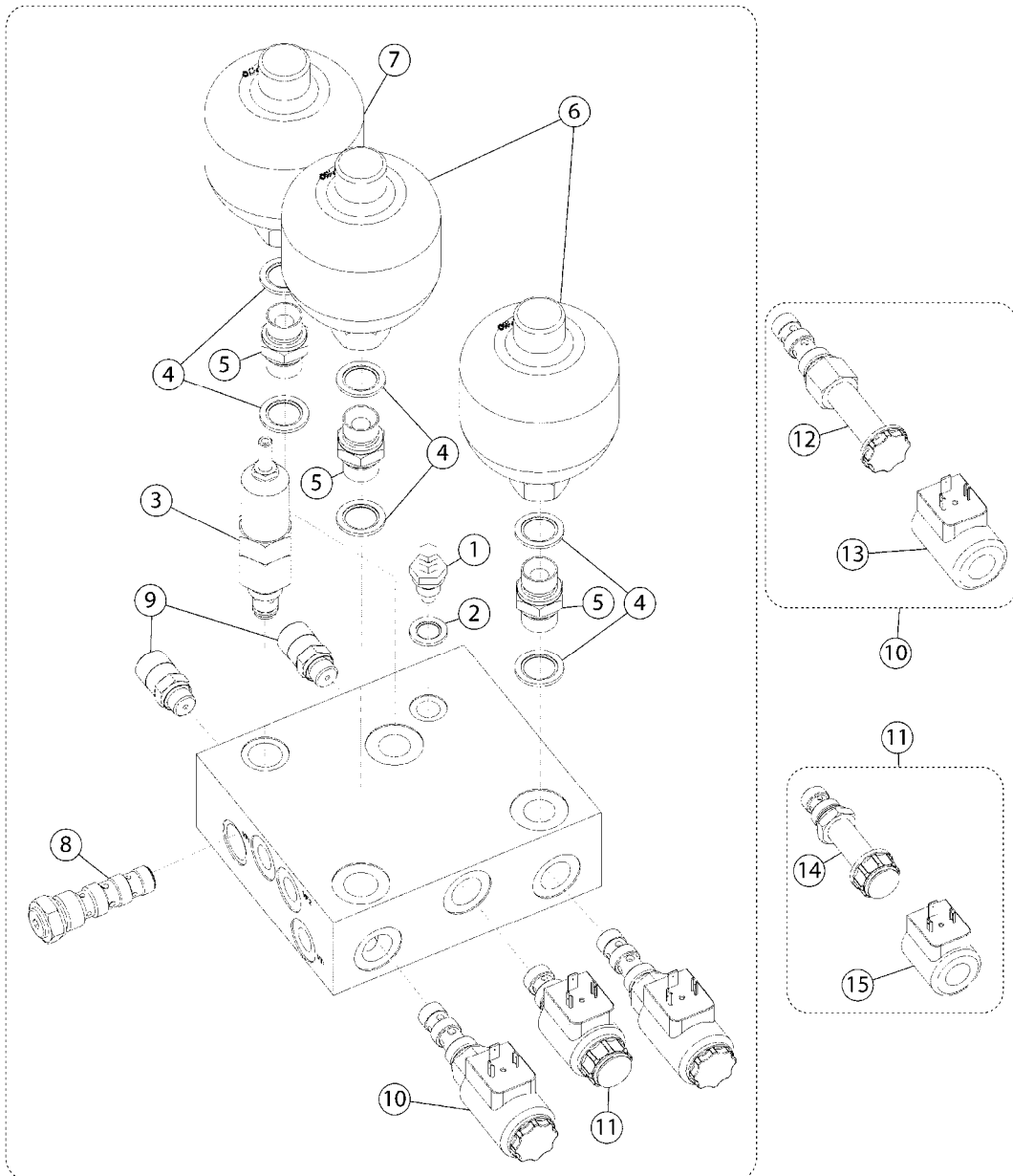
Page 1

Date 07.02.2020 8:04

Pos.	parts-n°	order qty	description
1	460261	1	NUT HEX M6X1.00 LOCK DIN985 A2 SS
2	471124	1	WASHER, M6, Ø18/ 6.4X 1.6, SS
3	410362	1	BOLT HEX 8.8 SS M6X20
4	MA703001053	1	WASHER M8 SS
5	MA701001071	1	BOLT HEX M8X20 A2 933
6	MA702017011	1	RIVET NUT M8
7	MA251060000	1	TANK CONTROL BRACKET
8	MA702017014	1	RIVET NUT M6
9	MA703001048	1	WASHER M6 SS
10	MA701003069	1	BOLT CHC M6X30 ALLEN A2 912
11	MA251061000	1	TANK CONTROL CONNECTOR BRACKET
12	MA243362000	1	TANK CONTROL
13	MA721000020	1	BY-PASS AND CAN ISOBUS MODULE
14	MA702008002	1	LOCKNUT M6 A2 985
15	MA243585000	1	ARROW SYMBOL SWITCH
16	MA750008034	1	ENGINE LIGHT SWITCH
17	16230304	1	PLATE 3x170x120/ BEND



TR5-B3-TDZ-RA
Main fold hydraulics block
01/2016 -->



- 16 3 Solenoid Valve Block
- 17 2 Solenoid Valve Block - No item 11

C247-HAU

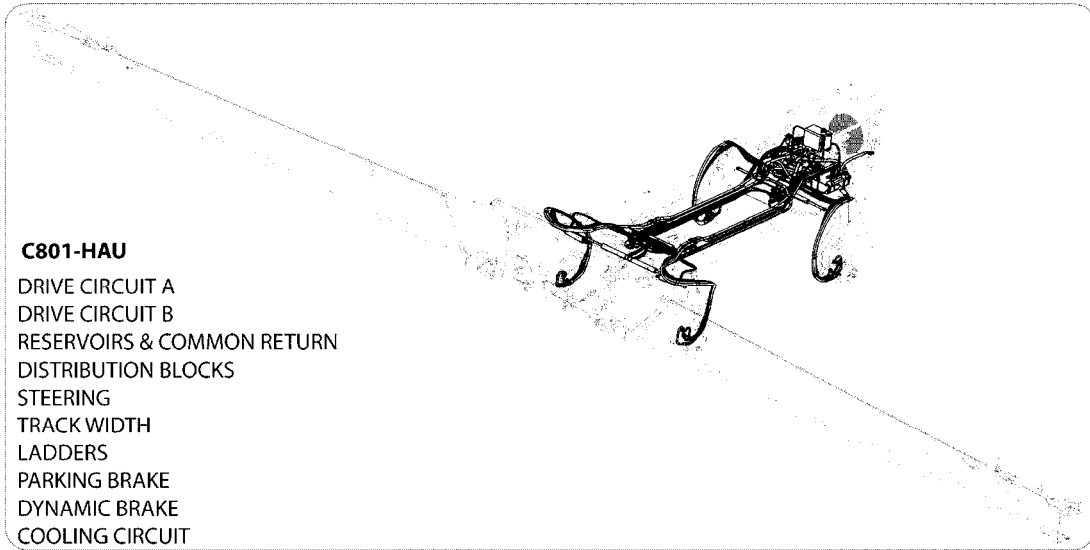
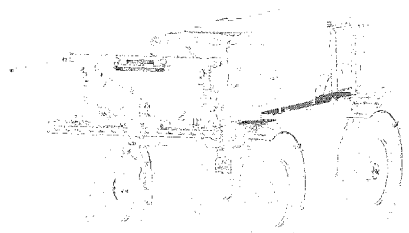


HYD. BLOCK INNER FOLD
C247-HAU, 12:04:16

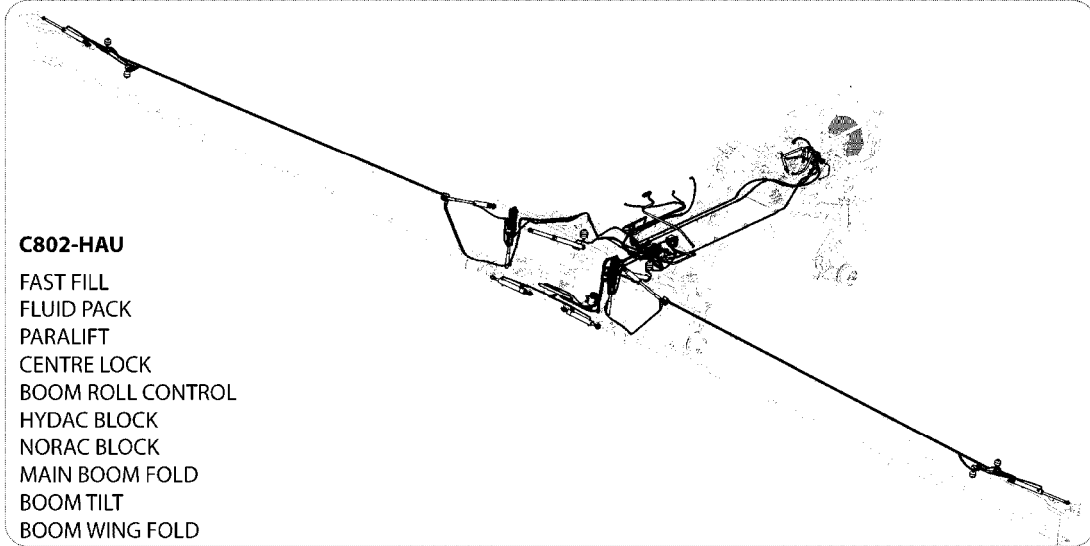
Page 1

Date 07.02.2020 8:04

Pos.	parts-n°	order qty	description
1	28063304	1	PURGE SCREW
2	241404	1	DOWTY SEAL 1/4"
3	28060604	1	CHECK-VALVE
4	241356	1	DOWTYSEAL 1/2"
5	147132	1	HEX NIPPLE 1/2"X1/2" BSP DEL
6	28060904	1	ACCUMULATOR 110 BAR 0.32L
7	28060504	1	ACCUMULATOR 70 BAR 0.32L
8	28060704	1	FLOW DIVIDER
9	28063404	1	1/2" TEST PORT
10	78151004	1	HYDAC SOLENOID VALVE COMPLETE
11	78150904	1	HYDAC SOLENOID F.3 VALVE HYDAC BLOCK
12	28063504	1	SOLENOID VALVE
13	28060804	1	ELECTRO VALVE
14	28063604	1	SOLENOID VALVE
15	28061604	1	SOLENOID COIL (ONLY FOR 78513104)
16	78150804	1	HYDAC BLOCK WITH ACC 3 VALVE OPTION
17	78520004	1	HYD BLOCK WITH ACC. - HYDAC SER.3980347



- C801-HAU**
- DRIVE CIRCUIT A
- DRIVE CIRCUIT B
- RESERVOIRS & COMMON RETURN
- DISTRIBUTION BLOCKS
- STEERING
- TRACK WIDTH
- LADDERS
- PARKING BRAKE
- DYNAMIC BRAKE
- COOLING CIRCUIT



- C802-HAU**
- FAST FILL
- FLUID PACK
- PARALIFT
- CENTRE LOCK
- BOOM ROLL CONTROL
- HYDAC BLOCK
- NORAC BLOCK
- MAIN BOOM FOLD
- BOOM TILT
- BOOM WING FOLD

C800-HAU



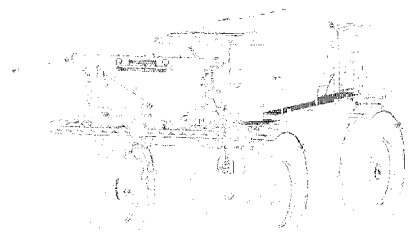
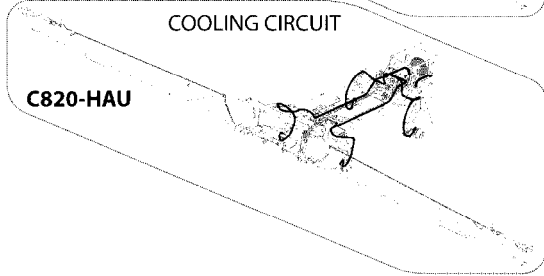
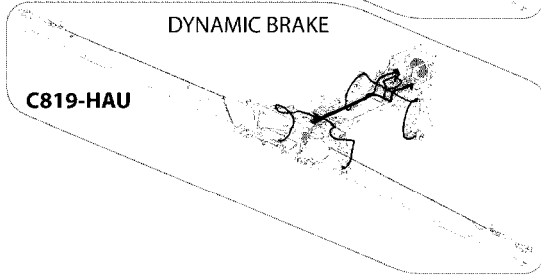
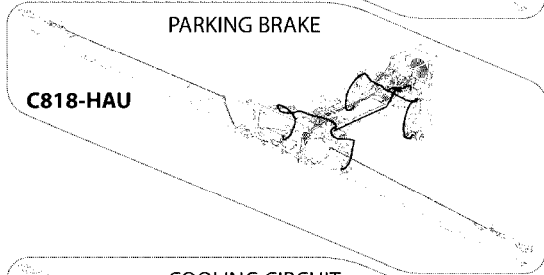
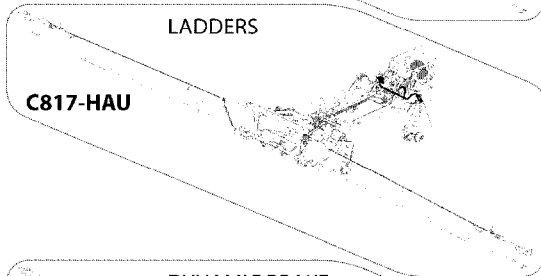
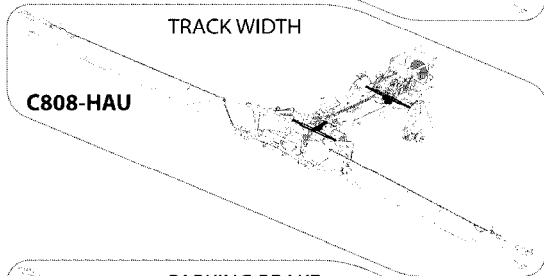
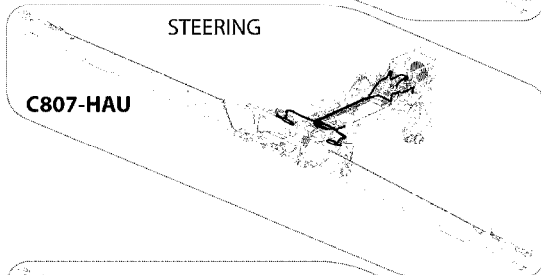
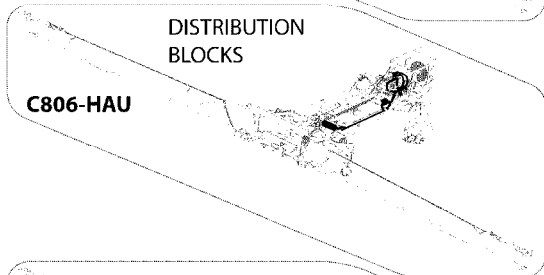
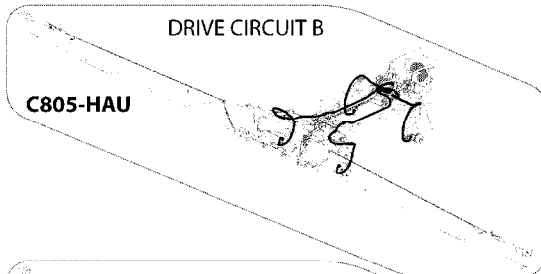
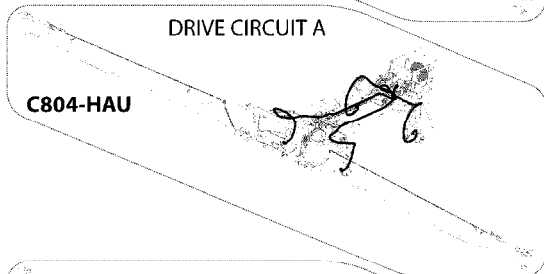
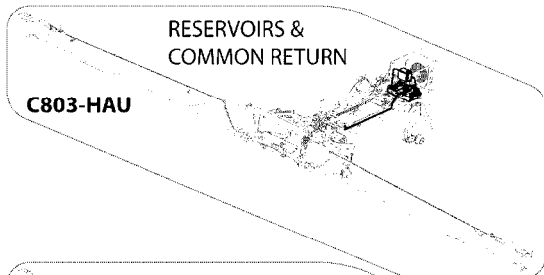
Agroparts: www.HARDI-INTERNATIONAL.com

RIGHT SIDE RIGID HYDRAULIC
PIPE ASSEMBLY RUBICON
C800-HAU, 30:08:19

Page 1

Date 07.02.2020 8:04

parts-n°	order qty	description



C801-HAU



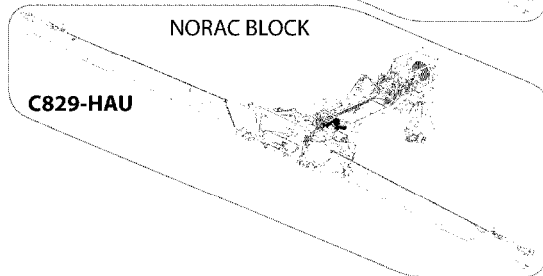
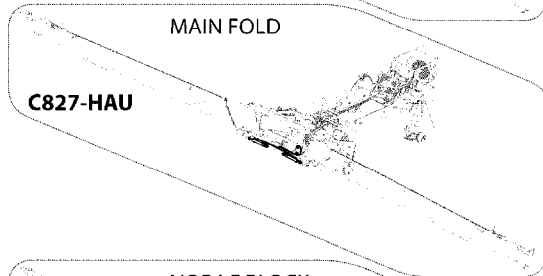
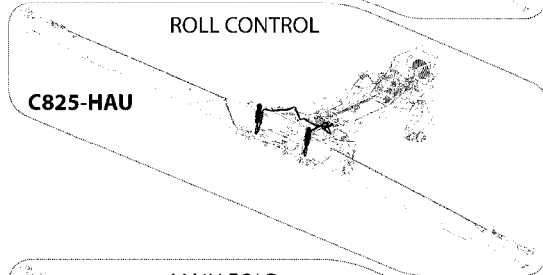
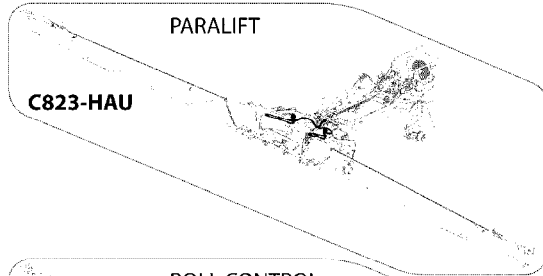
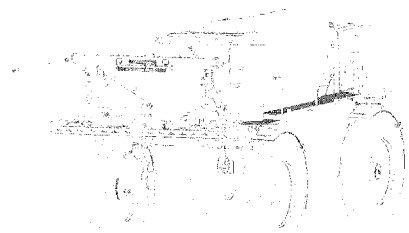
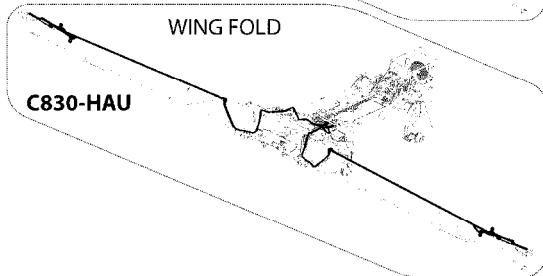
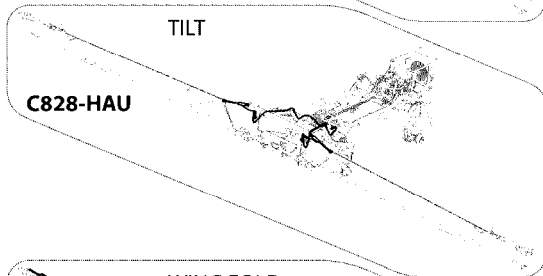
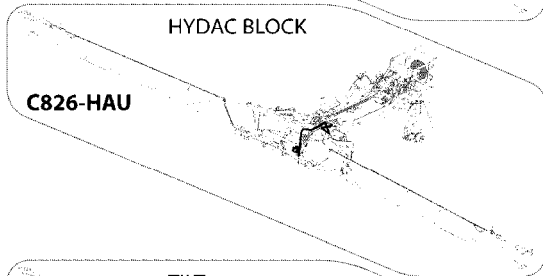
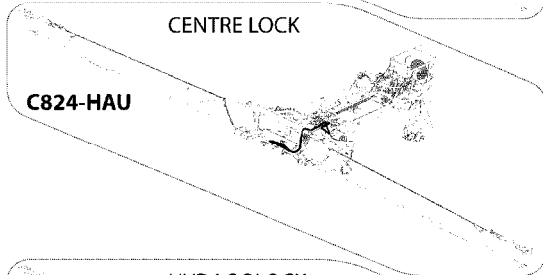
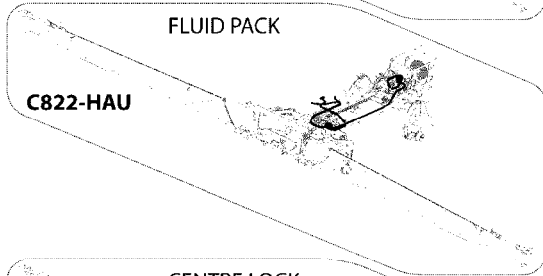
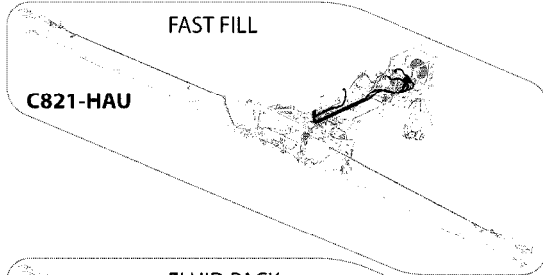
Agroparts: www.HARDI-INTERNATIONAL.com

LEFT SIDE RIGID HYDRAULIC
PIPE ASSEMBLY
C801-HAU, 30:08:19

Page 1

Date 07.02.2020 8:04

parts-n°	order qty	description



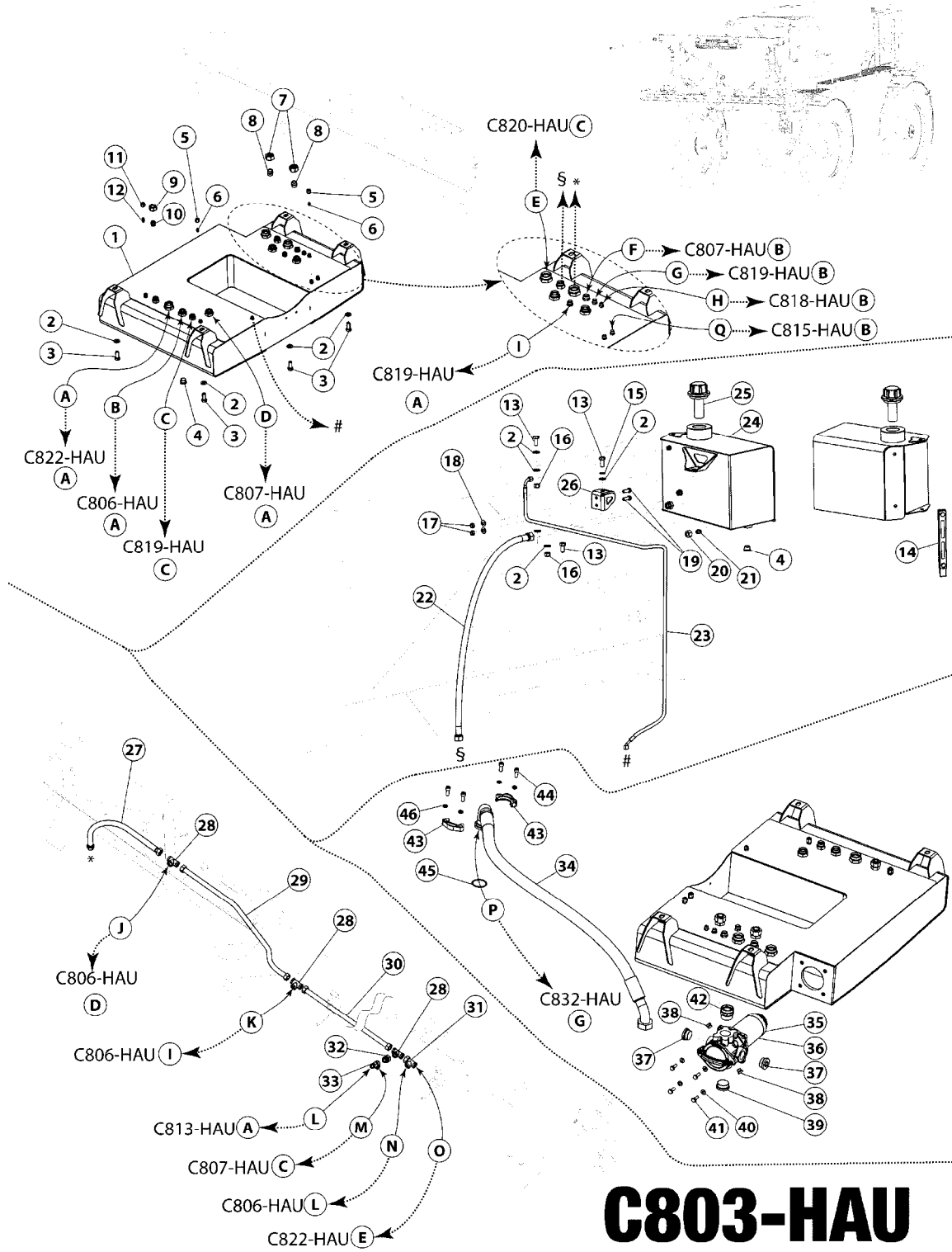
C802-HAU



EQUIPPED HYDRAULIC OIL TANK -
RUBICON
C802-HAU, 02:09:19

Page 1
Date 07.02.2020 8:04

parts-n°	order qty	description



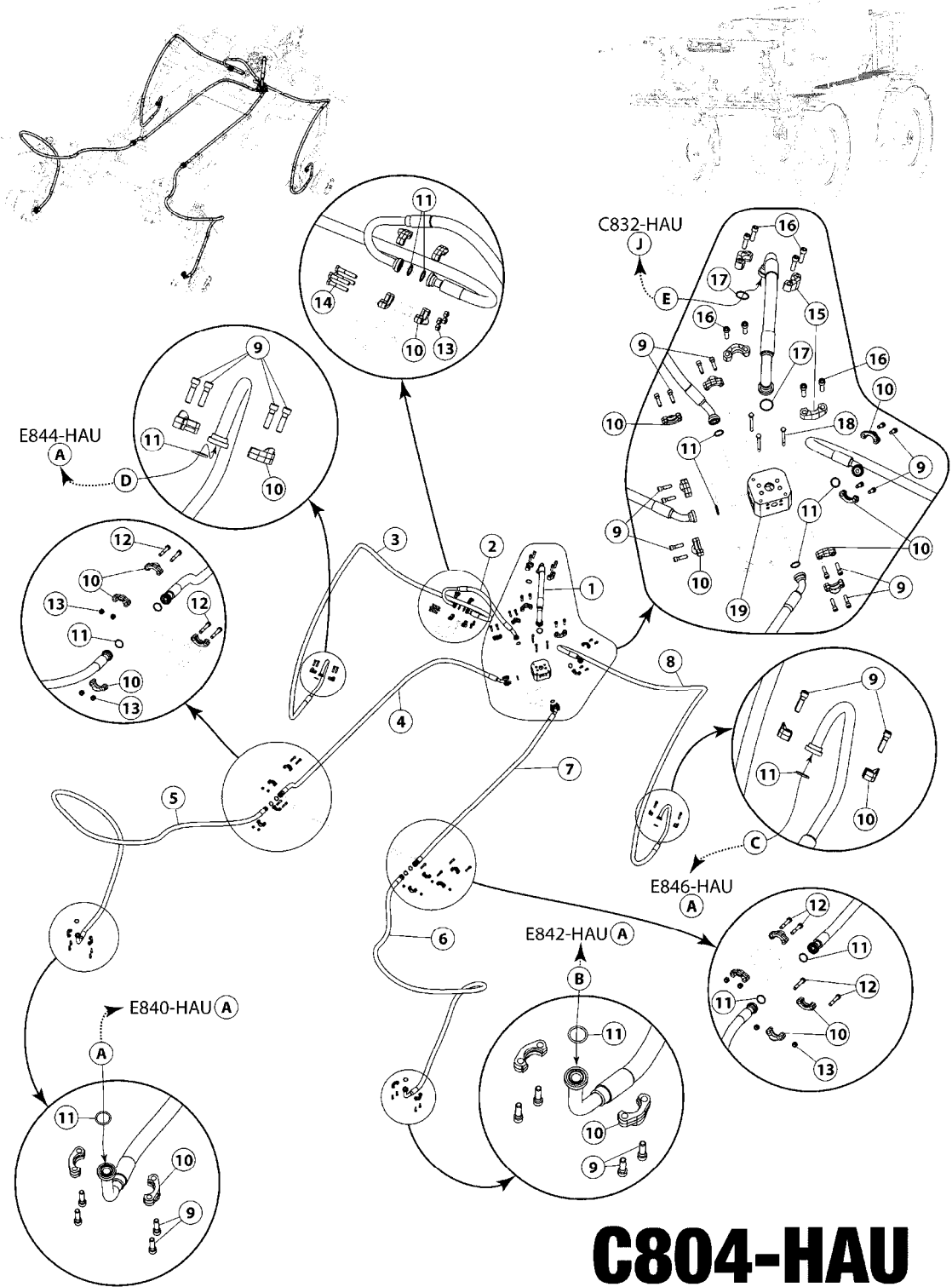
C803-HAU



UPPER HYDRAULIC OIL TANK -
RUBICON
C803-HAU, 02:09:19

Page 1
Date 07.02.2020 8:05

Pos.	parts-n°	order qty	description
1	MA239805000	1	HYDRAULIC OIL TANK
2	MA703001069	1	WASHER M16 STEEL ZB
3	MA701001231	1	BOLT M16X40 8.8 ZB 933
4	MA151335000	1	PLUG 20/27
5	MA710024003	1	NUT, 10 L/S
6	MA710026000	1	PLUG, 10 L/S
7	MA710024011	1	MA710024011
8	MA710026005	1	MA710026005
9	MA710024008	1	MA710024008
10	MA710026004	1	MA710026004
11	MA710024004	1	MA710024004
12	MA710026001	1	MA710026001
13	MA701001462	1	BOLT M16X35 8.8 ZB 931
14	MA175131000	1	LEVEL GAUGE
15	MA703002027	1	WASHER TOOTH LOCK EXT AZ16 AC ZB 276
16	MA702008028	1	AUTO LOCKNUT M16 AC8 ZB 985
17	MA702008021	1	LOCKNUT M12 AC8 ZB 985
18	MA703001023	1	WASHER M12 STEEL ZB
19	MA701001427	1	BOLT M12x35 8.8 ZB 933
20	MA710024005	1	MA710024005
21	MA710026002	1	MA710026002
22	MA511362001	1	MA511362001
23	MA511320704	1	MA511320704
24	MA239825000	1	TOP HYDRAULIC OIL TANK
25	MA161970000	1	PRESSURIZED FILLING CAP
26	MA246994000	1	TOP OIL TANK BRACKET
27	MA511381903	1	HY.HO. 1-1/4" L=870 STR-STR
28	MA710028009	1	TA 35L AS
29	MA239797000	1	HYDRAULIC PIPE Ø35 L=1365
30	MA239788000	1	HYDRAULIC PIPE Ø35 L=2650
31	MA710039011	1	MA710039011
32	MA710000021	1	FITT. ADAPTER 35X28 L AS
33	MA710039010	1	MA710039010
34	MA511760201	1	HY.HO.1-1/2"L=1295 90°-45°
35	MA520001011	1	SUCTION FILTER 180L-MIN
36	MA520001012	1	HYD. SUCTION FILTER CATRIDGE
37	MA710533004	1	PLUG MALE CYLINDRICAL BSPP 1-1/4"
38	MA710533000	1	MALE PLUG BSPP 3/8"
39	MA710533005	1	PLUG MALE CYLINDRICAL BSPP 1-1/2"
40	MA703001039	1	WASHER M10 SS
41	MA701001148	1	BOLT H M10X30 A2 931
42	MA710052016	1	UNION MALE 42 x 1"1/2 BSPP L
43	MA045131000	1	MA045131000
44	MA701003262	1	MA701003262
45	MA045137000	1	MA045137000
46	MA703004008	1	Washer W12 ac 25516



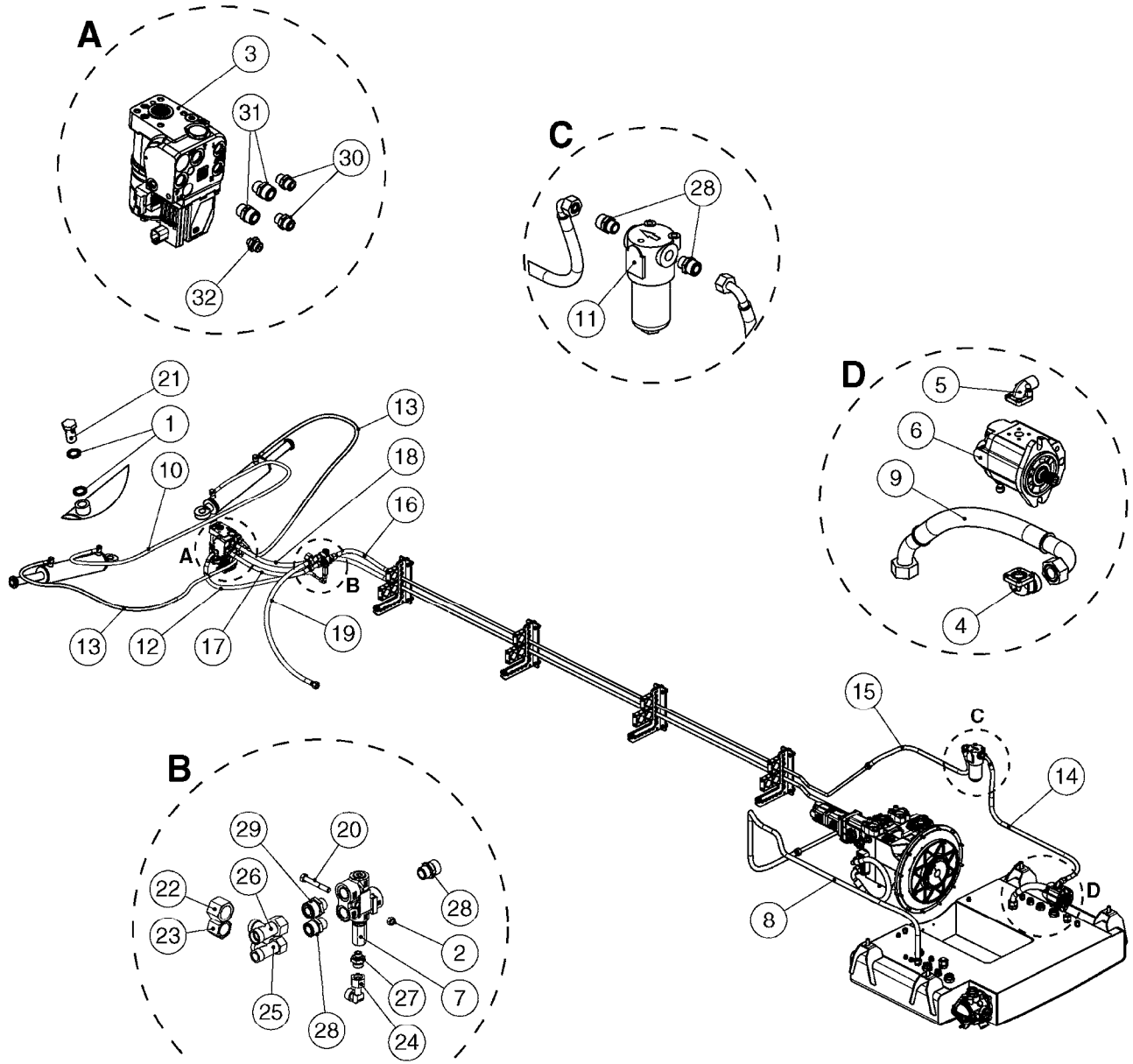
C804-HAU



HYD. CIRCUIT WHEEL MOTORS
C804-HAU, 02:09:19

Page 1
Date 07.02.2020 8:05

Pos.	parts-n°	order qty	description
1	MA511840202	1	HY.HO. HP DN38 90°-90°
2	MA511823502	1	HY.HO. 6000 PSI L=650 155°-45°
3	MA511823601	1	HY.HO. 6000 PSI L=5440 STR-145°&77°
4	MA511824402	1	HY.HO. 6000 PSI L=3815 STR-45°
5	MA511823902	1	HY.HO. 6000 PSI L=5710 STR-70°
6	MA511823903	1	HY.HO. 6000 PSI L=5520 STR-70°
7	MA511824401	1	HY.HO. 6000 PSI L=3155 STR-45°
8	MA511823701	1	HY.HO. 6000 PSI L=5560 90°-145°&77°
9	MA701003246	1	BOLT CHC M12X45 12.9 912
10	MA233024000	1	HALF FLANGE 1" 6000 PSI
11	MA161290000	1	O-RING 32.92x3.53 NIT.88SH
12	MA701001190	1	BOLT HEX M12X80 8.8 ZB 931
13	MA702008021	1	LOCKNUT M12 AC8 ZB 985
14	MA701001185	1	BOLT HEX M12X70 8.8 ZB 931
15	MA710067001	1	HALF FLANGE 1-1/2" 6000 PSI
16	MA701003276	1	BOLT CHC M16X60 12.9 912
17	MA705002036	1	O-RING 47.22x3.53 NIT 88SH
18	MA701001138	1	BOLT HEX M10X120 8.8 ZB 931
19	MA239749000	1	HYD. BLOCK LEFT



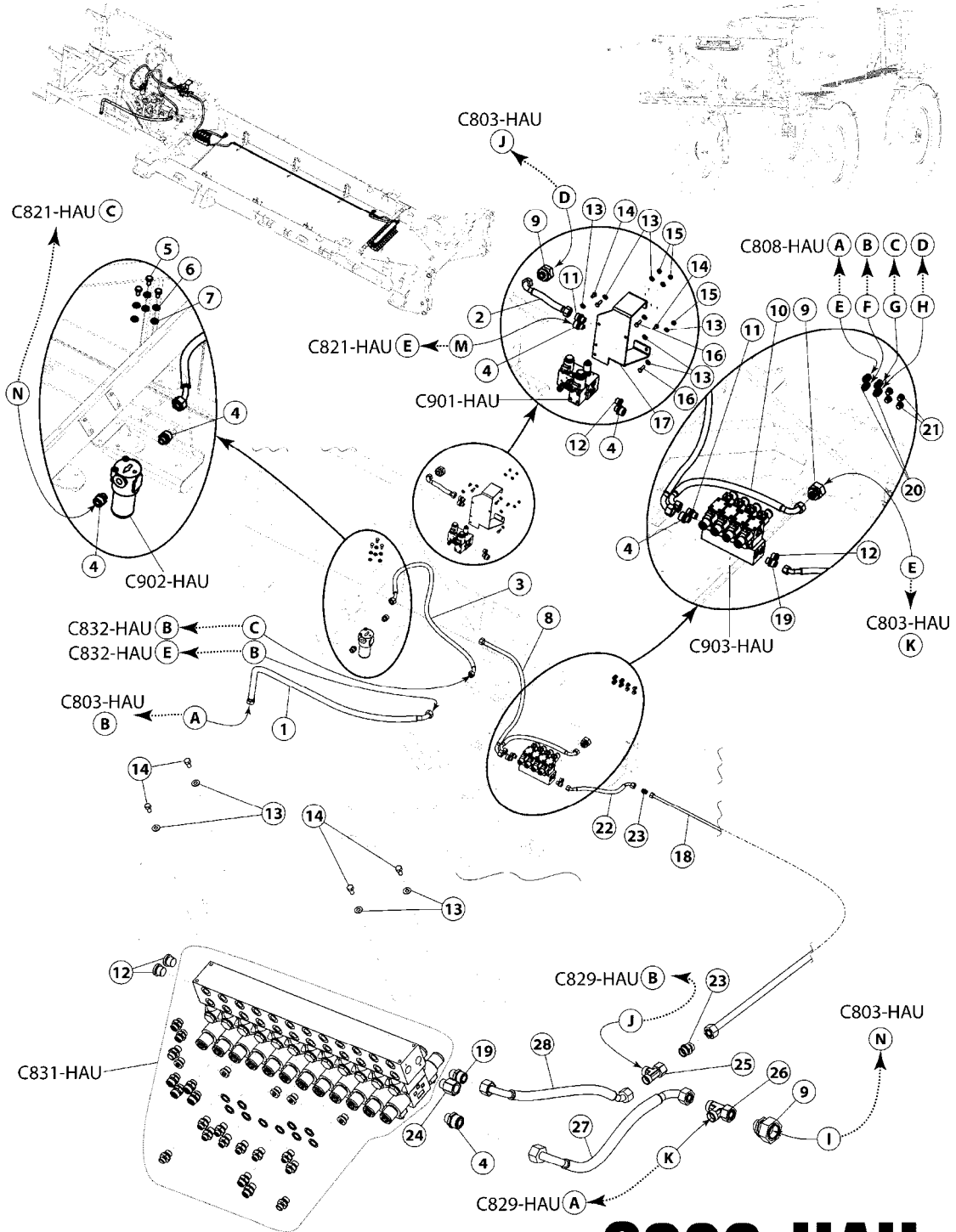
C0900



HYD. CIRCUIT STEERING -
RUBICON
C0900-HIN, 21:02:19

Page 1
Date 07.02.2020 8:05

Pos.	parts-n°	order qty	description
1	240866	1	DOWTYSEAL 3/8"
2	460143	1	SELF LOCK NUT M8 SST A2 DIN985
3	78207501	1	STEERING VALVE CAN BUS 60/200 LS 20
4	MA161115000	1	FLANGE MALE 28 L 90° X 40
5	MA161203000	1	FLANGE MALE 15L ELBOW 90 X 35
6	MA504020040	1	GEAR PUMP 19CC W/RESTRICTOR
7	MA509002004	1	VALVE, PRIORITY - OLS 40
8	MA511350304	1	HY.HO. 5/8" L=2260 STR-STR
9	MA511371803	1	HY.HO. 1" R4 L=340 45°-90°
10	MA511901901	1	HY.HO. 3/8" L=9030 2XBANJO
11	MA520001009	1	PRESSURE FILTER 87 L/MIN
12	MA5211111001	1	HY.HO. 5/16" L=810 90°-90°
13	MA521120502	1	HY.HO. 3/8" L=2920 ORFS 13/16" 90°-BANJO
14	MA521130001	1	HY.HO. 1/2" L=1110 STR-90°
15	MA521130101	1	HY.HO. 1/2" L=980 STR-90°
16	MA521130201	1	HY.HO. 1/2" L=290 ORFS 1"STR-CS13 STR
17	MA521130301	1	HY.HO. 1/2" L=520 2XORFS 1" STR
18	MA521141601	1	HY.HO. 5/8" L=1110 STR-STR
19	MA521141701	1	HY.HO. 5/8" L=1110 STR-STR
20	MA701001092	1	BOLT H M8X60 8.8 ZB 931
21	MA710072001	1	BANJO BOLT G 3/8"
22	MA710077001	1	PLUG FEMALE ORFS 1-3/16"
23	MA710077003	1	PLUG FEMALE ORFS 1"
24	MA710214001	1	ELBOW ADAPTER ORFS 11/16"
25	MA710239003	1	TEE SWIVEL ORFS 1"
26	MA710239004	1	TEE ORFS 1-3/16"
27	MA710252001	1	UNION ORFS11/16" X BSPP 8.13
28	MA710252008	1	UNION 1" ORFS X 15.21 BSPP
29	MA710252010	1	UNION 1-3/16" ORFS X 15.21 BSPP
30	MA710253004	1	FITT.UNION ORFS 13/16" X 18 X 150
31	MA710253006	1	FITT. ADAPTER ORFS 1" 22 X 150
32	MA710253007	1	FITT. ADAPTER ORFS 11/16" 12 X 1.5



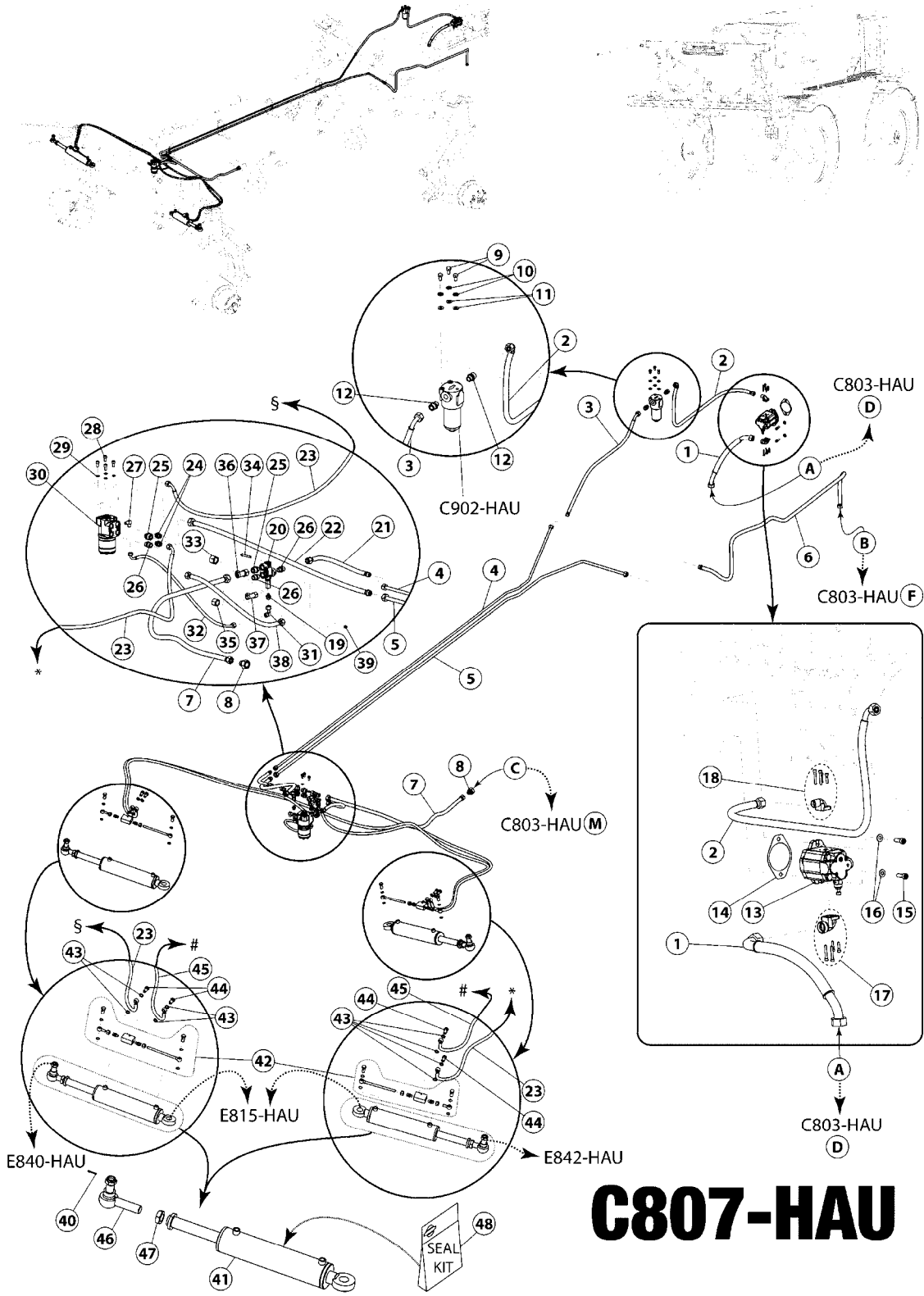
C806-HAU



HYD. CIRCUIT DISTRIBUTION
-RUBICON
C806-HAU, 02:09:19

Page 1
Date 07.02.2020 8:05

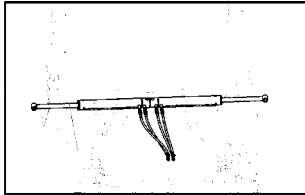
Pos.	parts-n°	order qty	description
1	MA511371504	1	HY.HO. DN25 100R4 STR-45°
2	MA511352201	1	HY.HO. 5/8" L=130 STR-90°
3	MA521140201	1	HY.HO. 5/8" L=1180 45°-45°
4	MA710252010	1	UNION 1-3/16" ORFS X 15.21 BSPP
5	MA701001142	1	MA701001142
6	MA703002030	1	MA703002030
7	MA703001039	1	WASHER M10 SS
8	MA521141201	1	MA521141201
9	MA710000027	1	FITT. ADAPTER 35X18 L AS
10	MA511352105	1	MA511352105
11	MA710052009	1	MA710052009
12	MA233630000	1	PLUG G1/2
13	MA703001054	1	WASHER M8 STEEL ZB
14	MA701001066	1	MA701001066
15	MA702008001	1	AUTO LOCKNUT M8 AC8 ZB 985
16	MA701001074	1	BOLT H M8X25 8.8 ZB 933
17	MA239821000	1	BRACKET F. PROPORTIONAL REG. BLOCK
18	MA239787000	1	HYDRAULIC PIPE Ø15 L=2620
19	MA710252008	1	UNION 1" ORFS X 15.21 BSPP
20	MA710252005	1	UNION ORFS 13/16" X BSPP 12.17
21	MA710533000	1	MALE PLUG BSPP 3/8"
22	MA521130501	1	HY.HO. 3/8" L=190 45°-90°
23	MA710040003	1	UA 15L AS
24	MA710073000	1	MA710073000
25	78602404	1	ADAPTOR 'M5FSM-22-22-22L'
26	78602904	1	ADAPTOR 'M5FSM-26-26-26L'
27	MA521141101	1	MA521141101
28	MA521130502	1	HY.HO. 3/8" L=330 45°-90°



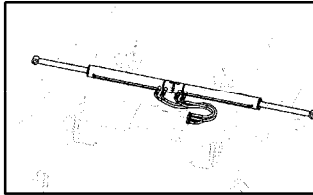
C807-HAU



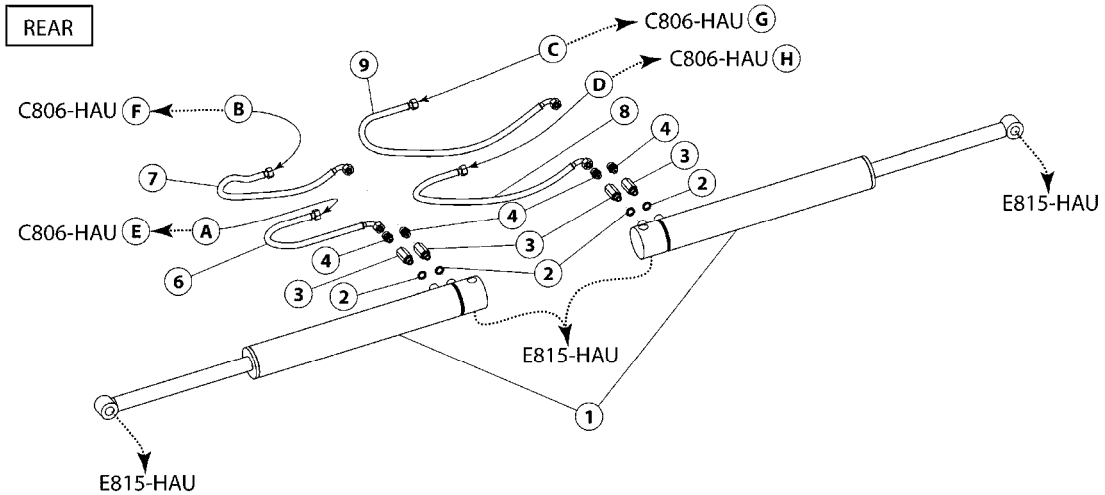
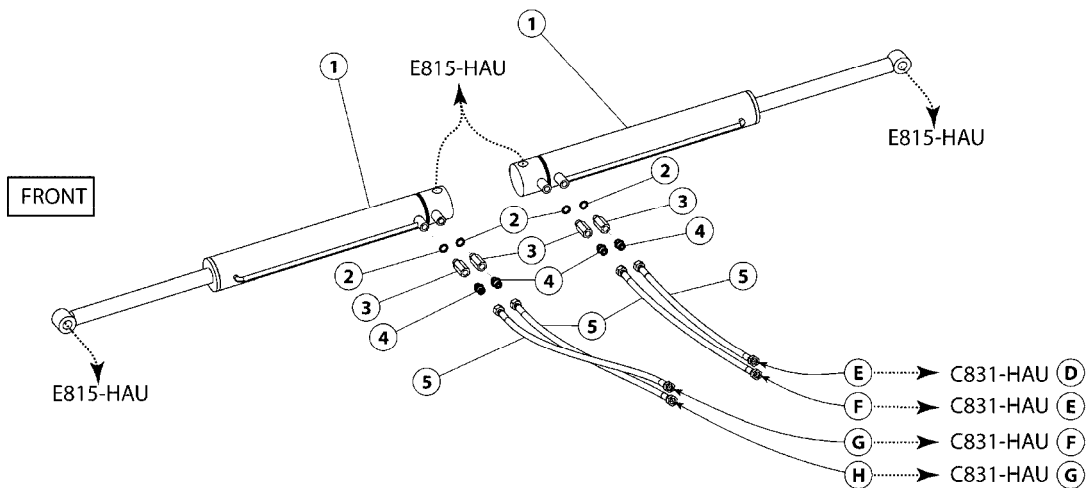
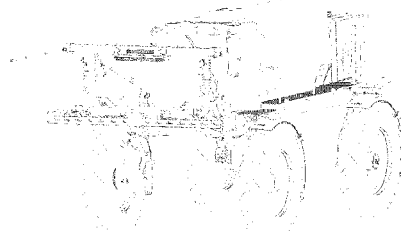
Pos.	parts-n°	order qty	description
1	MA511371803	1	HY.HO. 1" R4 L=340 45°-90°
2	MA521130001	1	HY.HO. 1/2" L=1110 STR-90°
3	MA521130101	1	HY.HO. 1/2" L=980 STR-90°
4	MA239768000	1	HYDRAULIC PIPE Ø15 L=3725
5	MA239769000	1	HYDRAULIC PIPE Ø18 L=4149
6	MA511350304	1	HY.HO. 5/8" L=2260 STR-STR
7	MA521141701	1	HY.HO. 5/8" L=1110 STR-STR
8	MA710000016	1	MA710000016
9	MA701001142	1	MA701001142
10	MA703002030	1	MA703002030
11	MA703001039	1	WASHER M10 SS
12	MA710252008	1	UNION 1" ORFS X 15.21 BSPP
13	MA504020040	1	GEAR PUMP 19CC W/RESTRICTOR
14	MA705100003	1	MA705100003
15	MA701003110	1	BOLT CHC M10X30 ALLEN 8.8 DIN 913
16	MA703001059	1	WASHERS M10 STEEL ZB
17	MA161115000	1	FLANGE MALE 28 L 90° X 40
18	MA161203000	1	FLANGE MALE 15L ELBOW 90 X 35
19	MA710252001	1	UNION ORFS11/16" X BSPP 8.13
20	MA509002004	1	VALVE, PRIORITY - OLS 40
21	MA521130201	1	HY.HO. 1/2" L=290 ORFS 1"STR-CS13 STR
22	MA521141601	1	HY.HO. 5/8" L=1110 STR-STR
23	MA521120503	1	HY.HO. 3/8" L=4220 ORFS 13/16" 90°-BANJO
24	MA710252006	1	UNION ORFS BSPP 13/16" x 15.21
25	MA710252010	1	UNION 1-3/16" ORFS X 15.21 BSPP
26	MA710252008	1	UNION 1" ORFS X 15.21 BSPP
27	MA710017002	1	Elbow hydraulic fitting 90°
28	MA701003107	1	BOLT CHC M10X20 ALLEN 8.8 DIN 913
29	MA703004007	1	Washer W10 ac 25516
30	MA513400003	1	ORBITROL OSPD 60-185 LS
31	MA710214001	1	ELBOW ADAPTER ORFS 11/16"
32	MA521111001	1	HY.HO. 5/16" L=810 90°-90°
33	MA710077001	1	PLUG FEMALE ORFS 1-3/16"
34	MA701001092	1	BOLT H M8X60 8.8 ZB 931
35	MA710077003	1	PLUG FEMALE ORFS 1"
36	MA710239004	1	TEE ORFS 1-3/16"
37	MA710239003	1	TEE SWIVEL ORFS 1"
38	MA521130302	1	HY.HO. 1/2" L=620 2XORFS 1"STR
39	MA702008001	1	AUTO LOCKNUT M8 AC8 ZB 985
40	MA704002030	1	Pin V Ø5x056 Ac ZB 95
41	MA501203500	1	Steering cylinder DA 40x80 S 310
42	782857	1	VALVE COMPLETE ARDP6-750
43	MA705014001	1	DOWTY SEAL 3/8"
44	MA710072001	1	BANJO BOLT G 3/8"
45	MA511901901	1	HY.HO. 3/8" L=9030 2XBANJO
46	MA241381000	1	Steering cylinder Rod
47	MA702003037	1	Nut Hm M30x150 G ac ZB DD 439 B
48	24003301	1	SEAL KIT, CYLINDER 80/40



FRONT



REAR



C808-HAU



HYD. CIRCUIT DISTRIBUTION
-RUBICON
C808-HAU, 03:09:19

Page 1
Date 07.02.2020 8:05

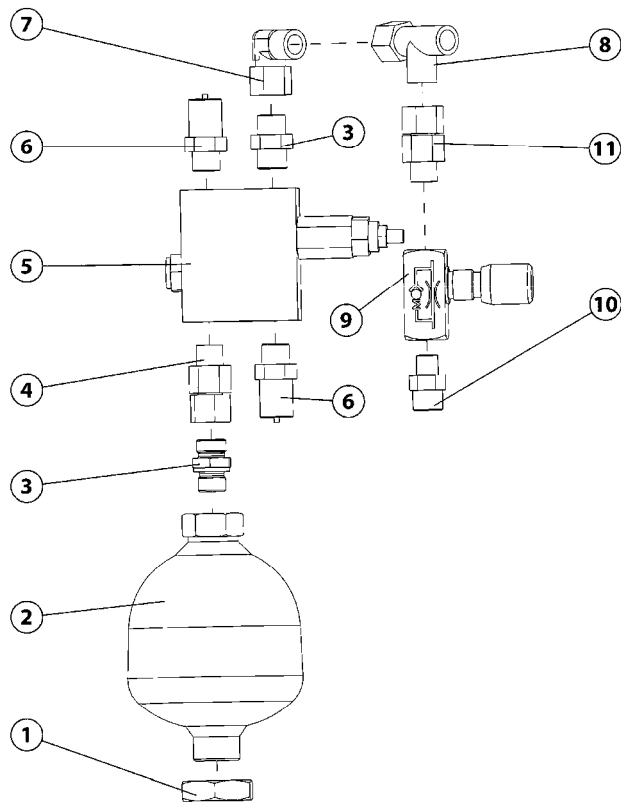
Pos.	parts-n°	order qty	description
1	MA501203800	1	WIDTH ADJ.CYLINDER 40X80 S501
2	MA705014001	1	DOWTY SEAL 3/8"
3	MA239658000	1	MA239658000
4	MA710252005	1	UNION ORFS 13/16" X BSPP 12.17
5	MA521120403	1	HY.HO. 3/8" L=670 2XORFS 13/16" STR
6	MA521120206	1	MA521120206
7	MA521120207	1	MA521120207
8	MA521120208	1	MA521120208
9	MA521120209	1	MA521120209



HYD. ACCUMULATOR TILT 1/4"
C810-HAU, 22:12:17

Page 0

Date 07.02.2020 8:05



C810-HAU
(FROM 21/08/2017)

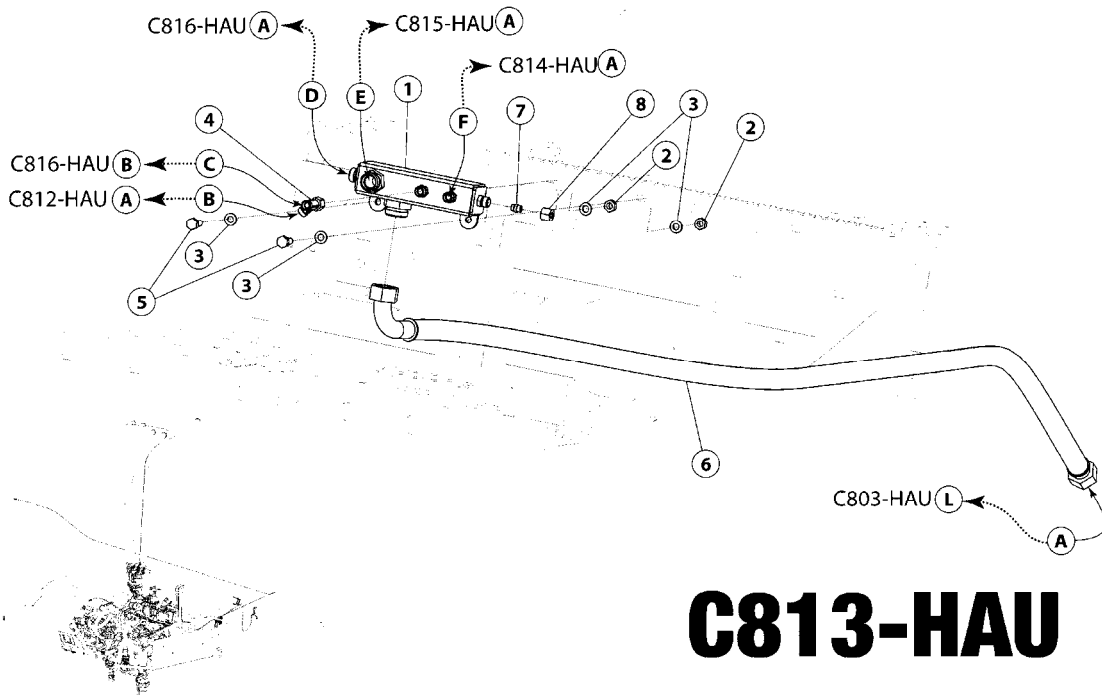
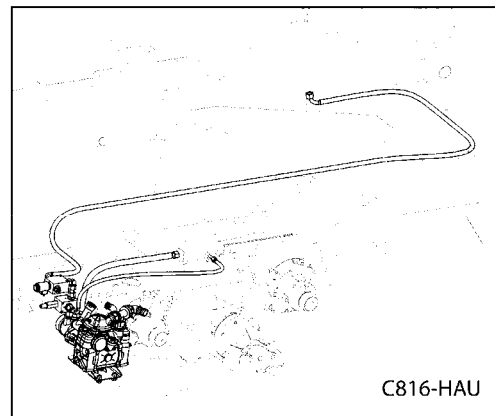
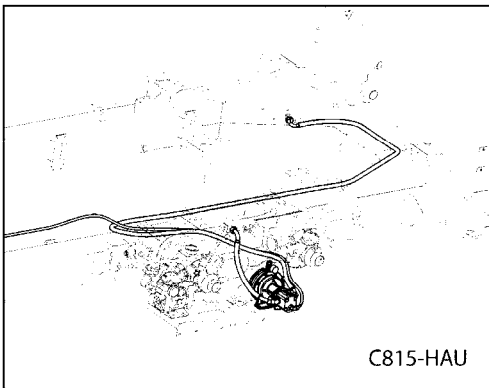
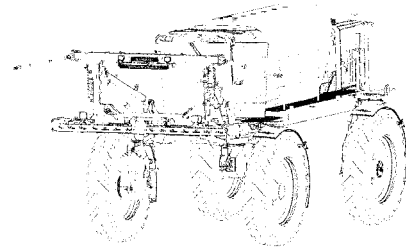
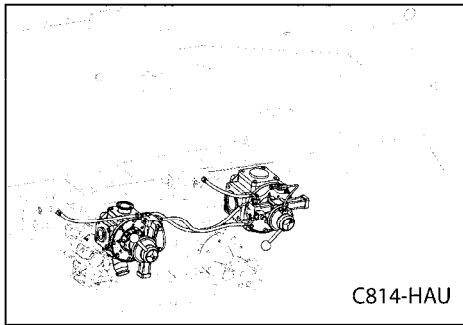


HYD. ACCUMULATOR TILT 1/4"
C810-HAU, 22:12:17

Page 1

Date 07.02.2020 8:05

Pos.	parts-n°	order qty	description
1	MA170153000	1	JAM NUT
2	MA233151000	1	ACCUMULATOR 0.5L M14X1.5
3	23206004	1	ADAPTER G1/2"M - M18X1.5M
4	23026704	1	1/2" BSPP M - M18 F SWIVEL
5	28091204	1	SEQUENCE VALVE 1/4" 40 L/MIN
6	23206304	1	1/2" BSPP TEST PORT
7	23026604	1	ELBOW 90° MF M18
8	78603504	1	ADAPTER 'M5FSM-18-18-18L'
9	MA161517000	1	FLOW RESTRICTOR
10	28090104	1	STRAIGHT MALE STUD FITTING 1/2"
11	23206404	1	1/4" BSPP M - M18 F SWIVEL

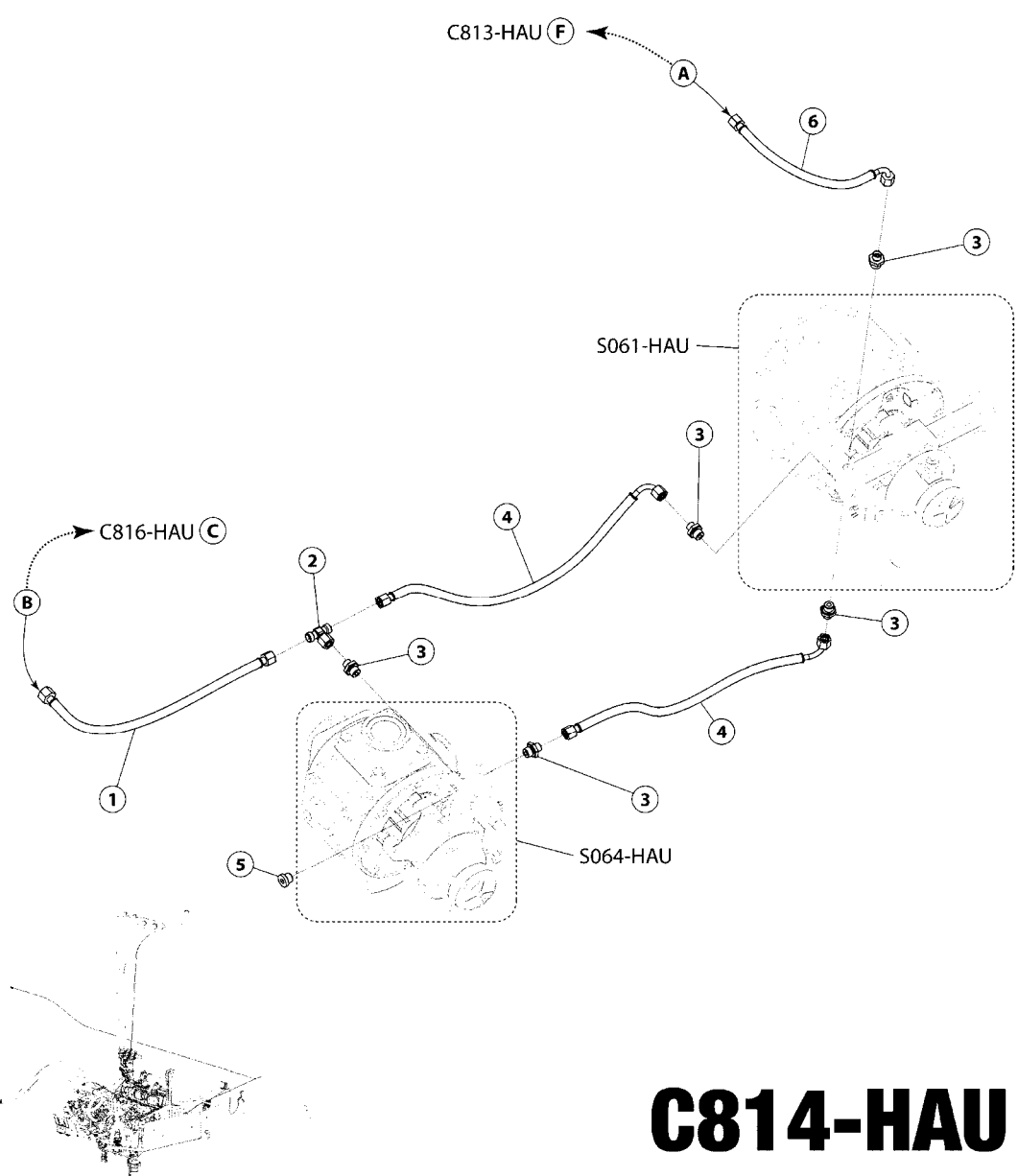
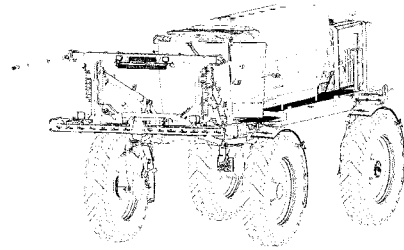




RUBICON - FLUID PACK
HYDRAULICS OVERVIEW
C813-HAU, 26:11:18

Page 1
Date 07.02.2020 8:05

Pos.	parts-n°	order qty	description
1	MA239835000	1	HYDRAULIC RETURN MANIFOLD
2	460423	1	NUT HEX M10X1.50 LOCK DIN985A2 SS
3	471122	1	WASHER, M10, Ø20/10.5X 2.0, SS
4	78603404	1	ADAPTOR 'M5FSM-16-16-16L'
5	420604	1	BOLT HEX 8.8 DEL M10X25 FT DIN933
6	MA511371107	1	HY.HO. 1" L=2500 STR-90°
7	MA710026000	1	PLUG, 10 L/S
8	MA710024003	1	NUT, 10 L/S



C814-HAU

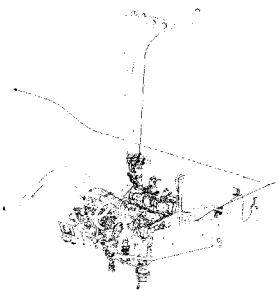
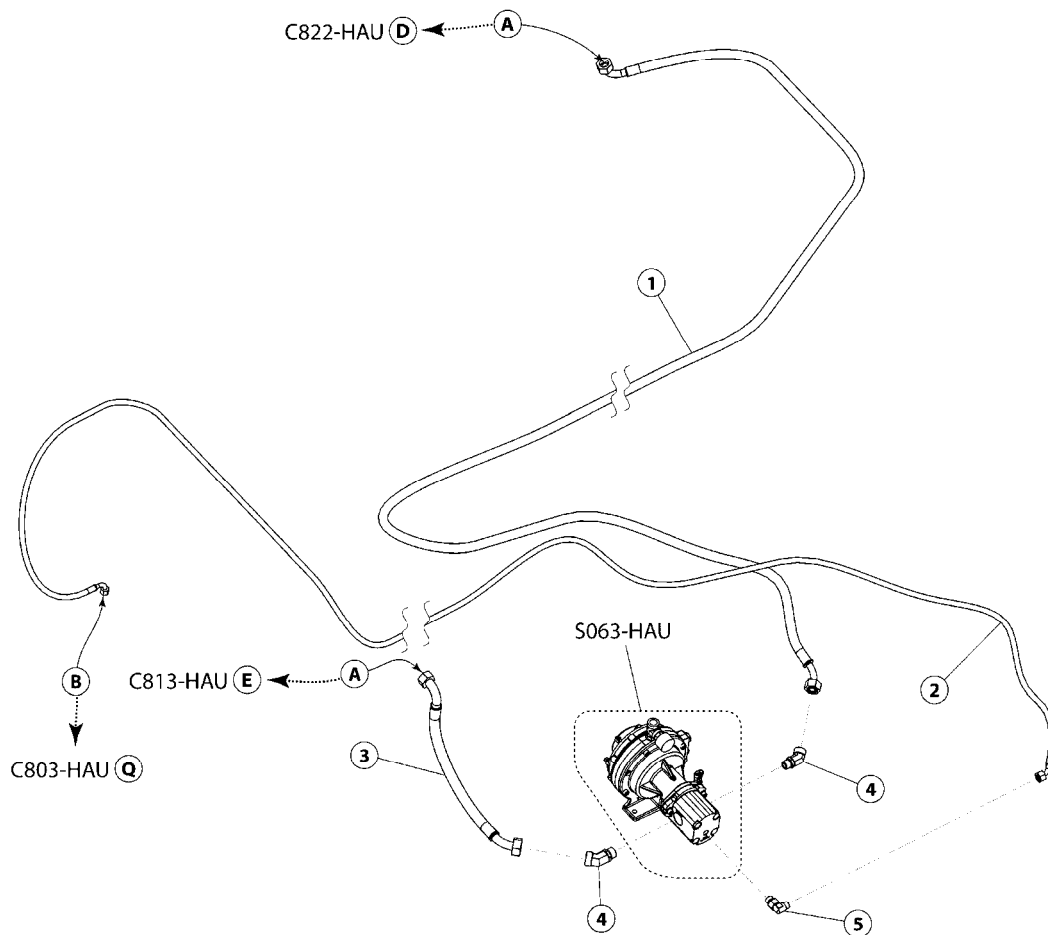
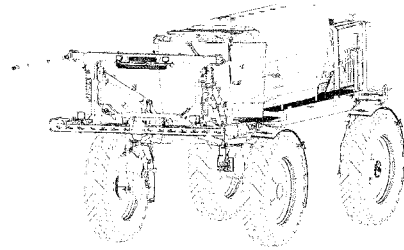


RUBICON - FLUID PACK VALVE
HYDRAULICS
C814-HAU, 26:11:18

Page 1

Date 07.02.2020 8:05

Pos.	parts-n°	order qty	description
1	MA521110802	1	HY.HO. 5/16" L=340 STR-STR
2	MA710027001	1	TEE 10 L DS
3	MA175550000	1	ADAPTER UMA 10 X JE 12.17 L NS
4	MA047866000	1	HY.HO. 5/16" L=600 STR-90°
5	MA175006000	1	PLUG LV022 CS 16
6	MA511320307	1	HY.HO. 5/16" L=340 STR-90°



C815-HAU



RUBICON - FLUID PACK MAIN
PUMP HYDRAULICS
C815-HAU, 26:11:18

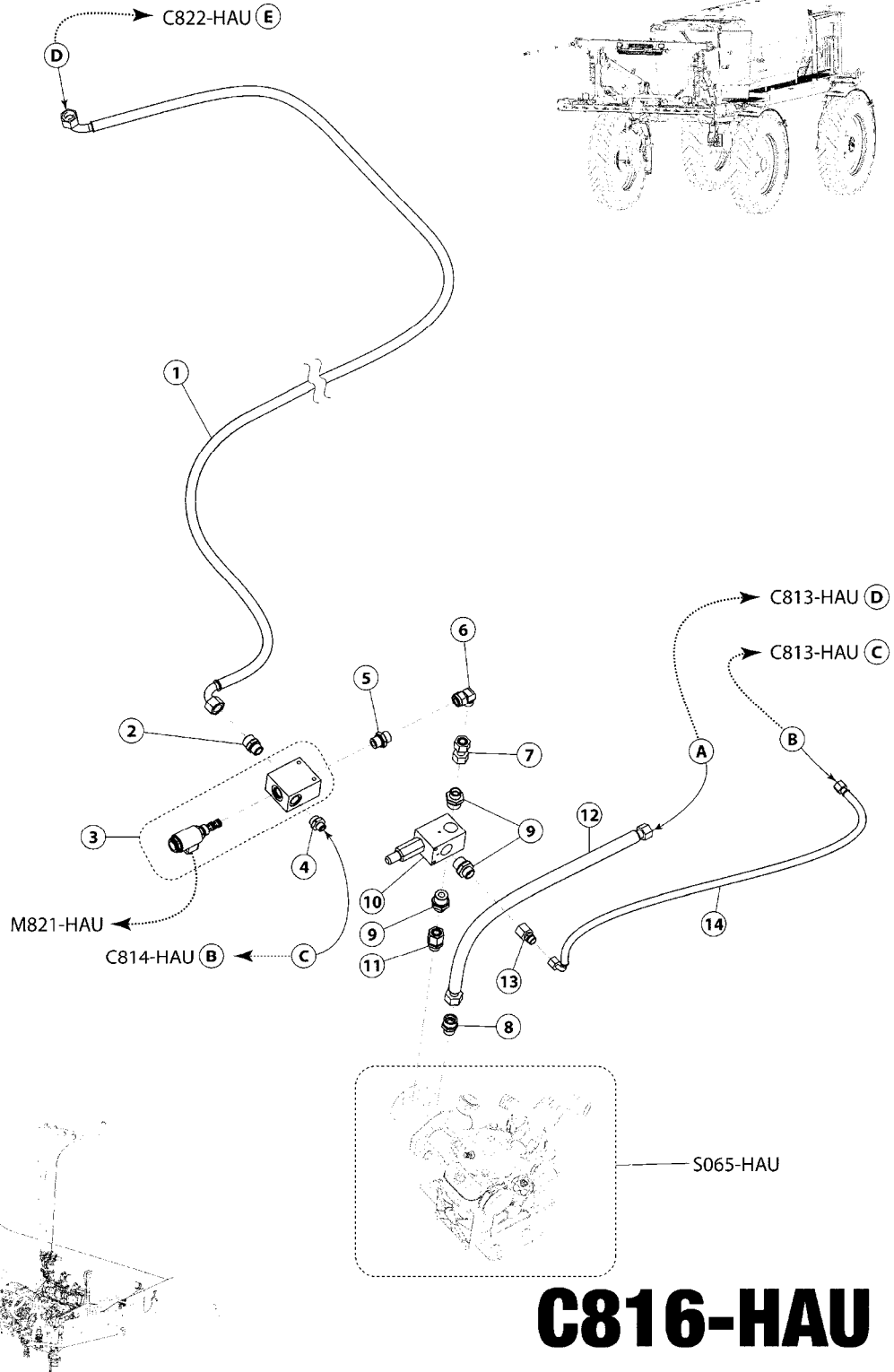
Page 1
Date 07.02.2020 8:05

Pos.	parts-n°	order qty	description
1	MA521140304	1	MA521140304
2	MA521120702	1	HY.HO. 3/8" L=6200 45°-90°
3	MA521150201	1	HY.HO. 3/4" L=500 45°-90°
4	MA710220002	1	ELBOW 1-7/16" ORFS X 1-1/16" UNF 135°
5	MA710219001	1	ELBOW 13/16" ORFS X 1-9/16" UNF



RUBICON - FLUID PACK RINSE
PUMP HYDRAULICS
C816-HAU, 26:11:18

Page 0
Date 07.02.2020 8:05



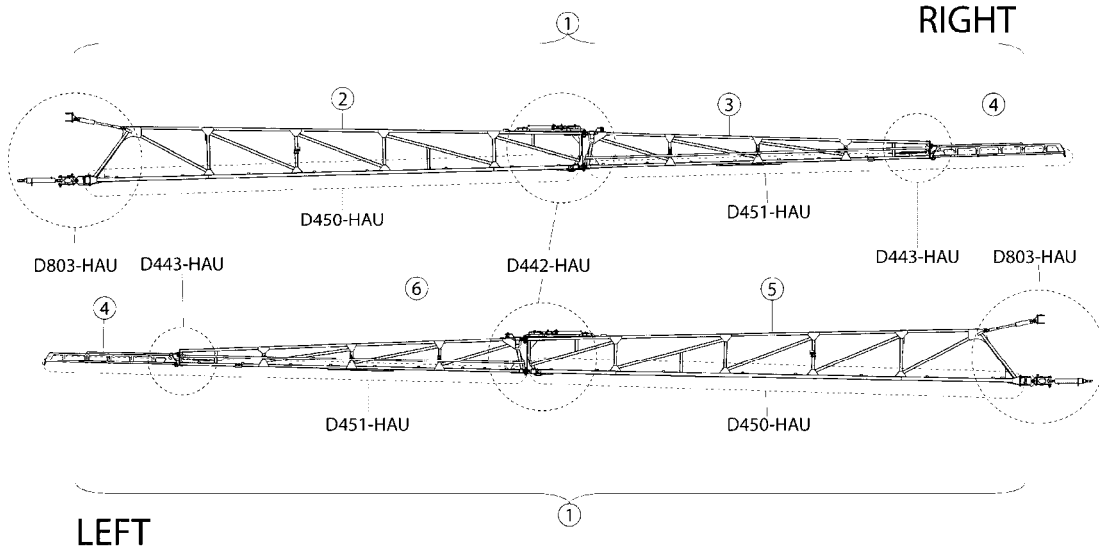


RUBICON - FLUID PACK RINSE
PUMP HYDRAULICS
C816-HAU, 26:11:18

Page 1

Date 07.02.2020 8:05

Pos.	parts-n°	order qty	description
1	MA521131101	1	MA521131101
2	MA710252008	1	UNION 1" ORFS X 15.21 BSPP
3	MA513500024	1	SOLENOID 3/2 A CLAPET 7/8''-14 UNF
4	MA710252003	1	UNION 11/16" ORFS X 15.21 BSPP
5	MA710052006	1	ADAPTER UMA 15 X JE 15.21 L NS
6	MA710014004	1	MA710014004
7	MA239703000	1	MA239703000
8	MA710052009	1	MA710052009
9	MA710052007	1	MA710052007
10	MA161342000	1	MA161342000
11	MA710004006	1	ADAPTER AA 15 L X 15/21
12	MA511320308	1	MA511320308
13	MA710000004	1	MA710000004
14	MA521130802	1	HY.HO. 1/2" L=520 STR-STR



Complete Boom

	500mm	250mm
36m	72530504	
48m	72242804	72292404
52m	72530804	

500mm				
Boom	Side	Inner	Outer	Breakaway
36m	L	63092904	63093104	}63092204
	R	63093004	63093204	
48m	L	63093304	63093504	}63092804
	R	63093404	63093604	
52m	L	63093704	63093904	}63092804
	R	63093804	63094004	

250mm				
Boom	Side	Inner	Outer	Breakaway
36m	L			
	R			
48m	L	63098404	63098604	}63098804
	R	63098304	63098504	
52m	L			
	R			

D441-HAU



RA BOOMS
D441-HAU, 06:11:17

Page 1
Date 07.02.2020 8:05

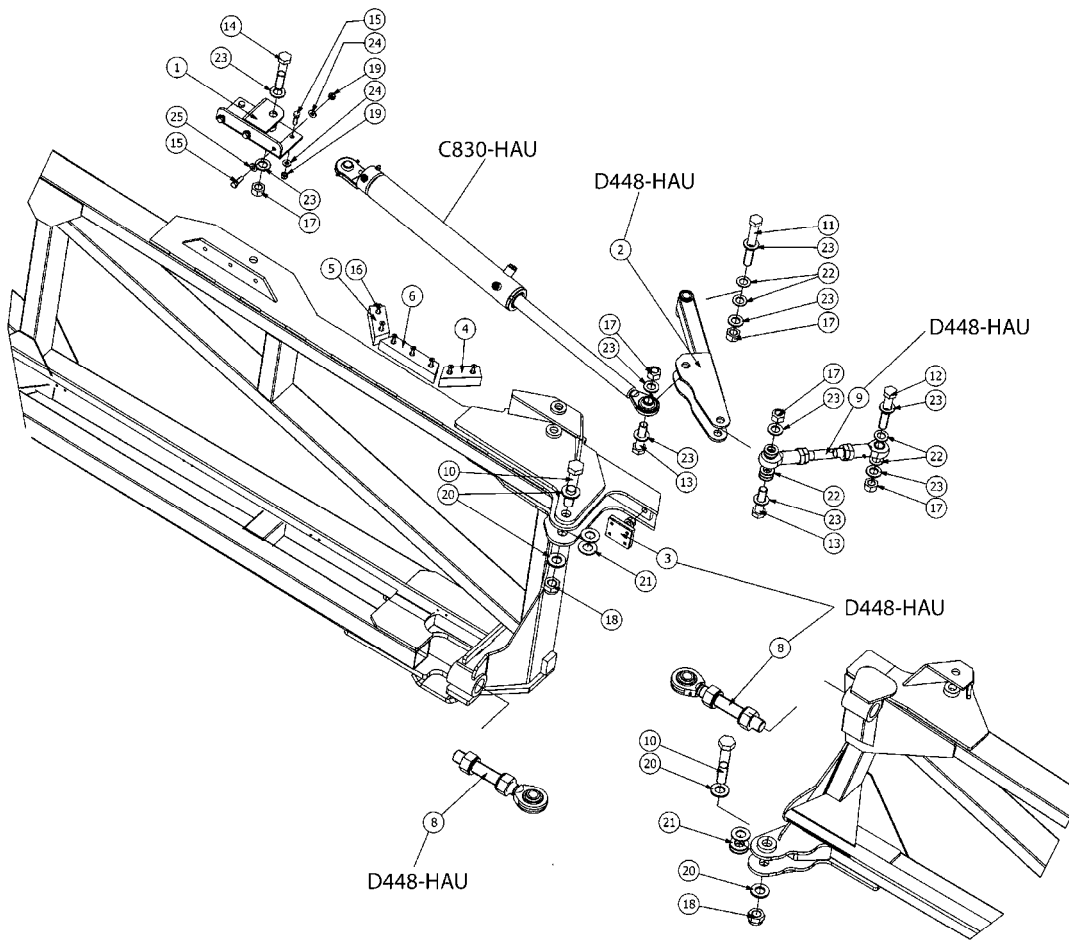
Pos.	parts-n°	order qty	description
1	72530504	1	BOOM 36M RA COMPLETE
1	72242804	1	RA FALCON 48M BOOM COMPLETE
1	72530804	1	BOOM 52 RA COMPLETE
1	72292404	1	BOOM RA 48M 25CM L&R WIING ASSY
2	63093004	1	RA INNER SECTION RIGHT L=8.5
2	63093404	1	RA INNER SECTION RIGHT L=11
2	63093804	1	RA INNER SECTION RIGHT L=12
2	63098304	1	RA INNER SECTION RIGHT L=11 (250mm)
3	63093204	1	RA 1ST OUTER SECTION RIGHT L=5
3	63093604	1	RA INNER SECTION RIGHT L=8
3	63094004	1	RA 1ST OUTER SECTION RIGHT L=9
3	63098504	1	RA 1ST OUTER SECTION RIGHT L=8 (250mm)
4	63092204	1	BREAK-AWAY RIGHT L=2.5
4	63092804	1	RA BREAK-AWAY RIGHT L=3
4	63098804	1	RA BREAK-AWAY LEFT L=3 (250mm)
5	63092904	1	RA INNER SECTION LEFT L=8.5
5	63093304	1	RA INNER SECTION LEFT L=11
5	63093704	1	RA INNER SECTION LEFT L=12
5	63098404	1	RA INNER SECTION LEFT L=11 (250mm)
6	63093104	1	RA 1ST OUTER SECTION LEFT L=5
6	63093504	1	RA 1ST OUTER SECTION LEFT L=8
6	63093904	1	RA 1ST OUTER SECTION LEFT L=9
6	63098604	1	RA 1ST OUTER SECTION LEFT L=8 (250mm)



RA INNER/1ST OUTER
D442-HAU, 06:11:17

Page 0

Date 07.02.2020 8:05



D442-HAU



RA INNER/1ST OUTER
D442-HAU, 06:11:17

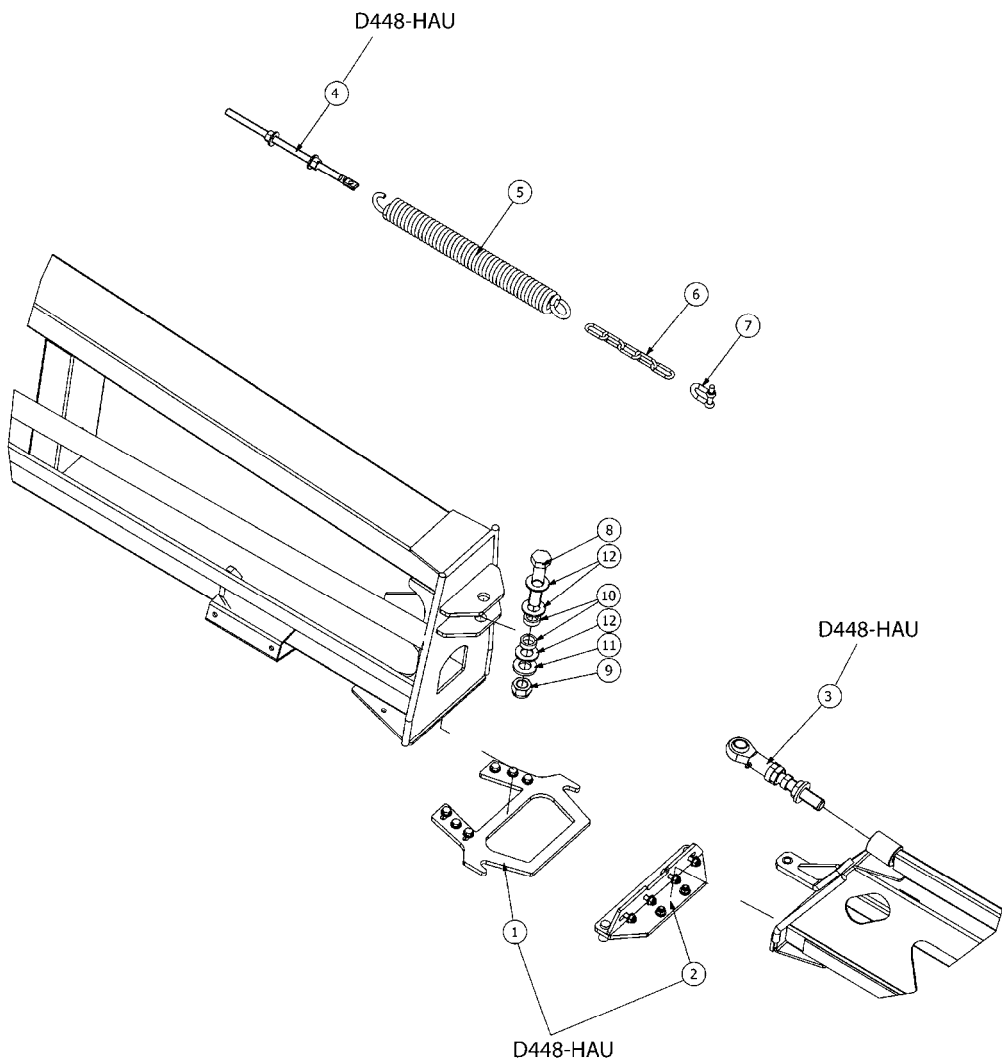
Page 1

Date 07.02.2020 8:05

Pos.	parts-n°	order qty	description
1	278595	1	RIGHT CYLINDER BRACKET
1	278596	1	LEFT CYLINDER BRACKET
2	288063	1	RIGHT LINK ARM
2	278584	1	LEFT LINK ARM TR5
3	28056604	1	RADIAL BOOM STOP
4	278594	1	SUPPORT BLOCK RIGHT 115X135X50X40
5	288065	1	SUPPORT BLOCK LEFT 115X135X50X40
6	288066	1	SUPPORT BLOCK 178/220X50X40
8	28047304	1	ARTICULATED EYE KIT Ø30.2 M39X200
9	28041904	1	DOUBLE LINK EYE ARM D26 M30 010-007
10	43051804	1	BOLT M30X160 HEX DIN931
11	43051704	1	BOLT 1" X 7 " 1/2 HEX UNC DIN931
12	43052304	1	BOLT 1"X6" HEX UNC DIN931
13	43051504	1	BOLT 1" X 4" HEX HEAD UNC DIN931
14	43005604	1	BOLT 1" X 5.1/2" UNC GR 8.8
15	430721	1	BOLT HEX 8.8 DEL M12X40 FT
16	43052504	1	BOLT M8 L=40 DIN933 ALLEN HEAD COUNTERSUNK FT
17	46001704	1	NUT NYLOCK 1" UNC
18	461316	1	NUT HEX LOCK M30X3.5 DIN 985
19	460703	1	NUT HEX M12X1.75 LOCK DIN985A2 SS
20	47002004	1	WASHER NORDLOCK M30 LARGE
21	47002704	1	WASHER Ø30
22	47003004	1	WASHER Ø45/Ø26X3
23	47003204	1	WASHER NORDLOCK Ø1" LARGE
24	47118200	1	WASHER SPECIAL M12 NORDLOCK
25	47002404	1	WASHER Ø12



RA BREAK AWAY
D443-HAU, 06:11:17



D443-HAU

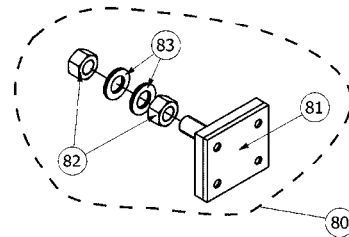
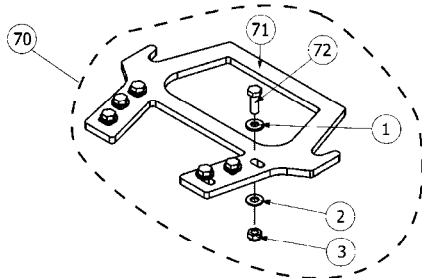
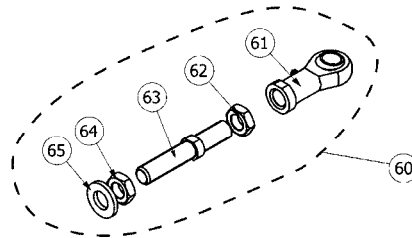
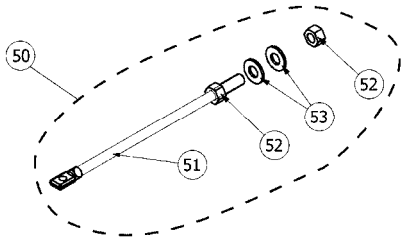
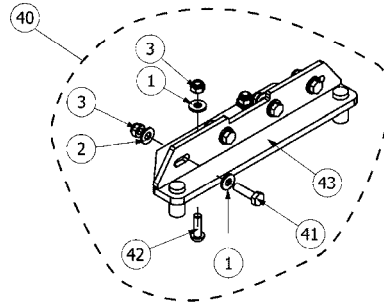
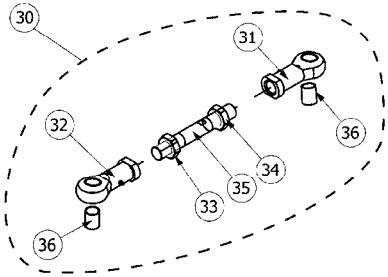
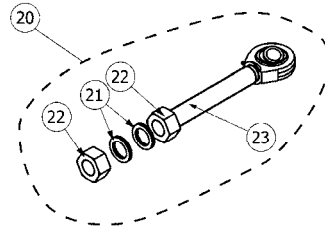
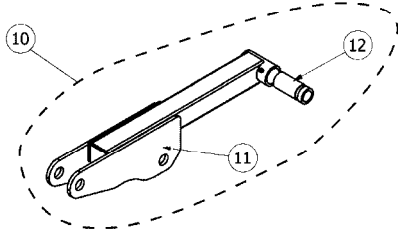


RA BREAK AWAY
D443-HAU, 06:11:17

Page 1

Date 07.02.2020 8:05

Pos.	parts-n°	order qty	description
1	28056504	1	BOOM JOINT PLATE+SCREW
2	28042304	1	TR5 JOIN PLATE KIT BREAK-AWAY
3	28042004	1	TR5 LINK EYE D20 M20 KIT
4	28040704	1	SPRING GRIP KIT
5	28050104	1	SPRING TENSION L=400
6	28056304	1	CHAIN Ø5/ 5 LINKS
7	28056404	1	SHACKLE Ø8 STAINLESS
8	430918	1	M20X100 DIN 931-8.8 DEL
9	460806	1	NUT HEX M20X2.50 LOCK DIN985A2 SS
10	278143	1	SPACER Ø20X28 L9.5
11	47002204	1	WASHER NORDLOCK M20
12	47003104	1	WASHER Ø40XØ21 X 4.9



D448-HAU

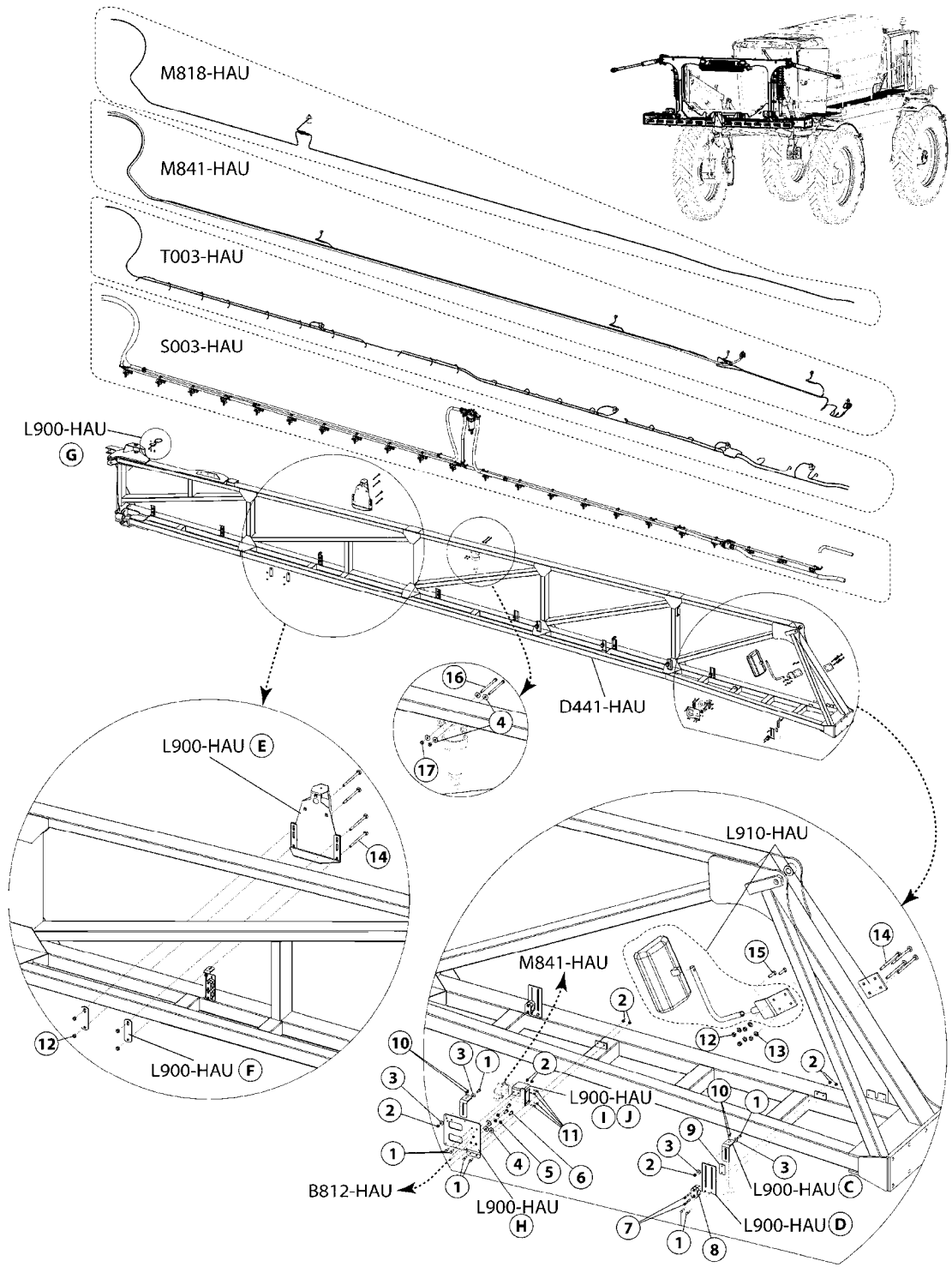


RA BOOM KIT
D448-HAU, 07:11:17

Page 1

Date 07.02.2020 8:05

Pos.	parts-n°	order qty	description
1	471075	1	WASHER M8 LOCK
2	471126	1	WASHER, M8, Ø16/ 8.4X 1.6, SS
3	460143	1	SELF LOCK NUT M8 SST A2 DIN985
10	278584	1	LEFT LINK ARM TR5
10	288063	1	RIGHT LINK ARM
11	16396604	1	HYD CYLINDER PLATE 2 LEFT
11	16396504	1	HYD CYLINDER PLATE 2 RIGHT
12	278586	1	BUSHING 35X5 L82
20	28047304	1	ARTICULATED EYE KIT Ø30.2 M39X200
21	47002304	1	WASHER NORDLOCK Ø39 LARGE
22	46015304	1	NUT HEX M39X2.0
23	78604804	1	HYD CYLINDER 4
30	28041904	1	DOUBLE LINK EYE ARM D26 M30 010-007
31	278592	1	BALL JOINT M30X2 RIGHT
32	278588	1	BALL JOINT M30X2 LEFT
33	46015104	1	NUT HEX M30X2.0 1/2 LEFT
34	46015004	1	NUT HEX M30X2.0 1/2
35	278593	1	TIE ROD M30X2
36	278587	1	INNER BUSH, BALL JOINT
40	28042304	1	TR5 JOIN PLATE KIT BREAK-AWAY
41	420556	1	BOLT M8 X 30 8.8
42	45002104	1	SCREW M8X25 BUTTON SOCKET HEAD ZP
43	288062	1	ANGLE PLATE TR5
50	28040704	1	SPRING GRIP KIT
51	78604504	1	HYD CYLINDER 1
52	460386	1	NUT HEX M12X1.75
53	47002404	1	WASHER Ø12
60	28042004	1	TR5 LINK EYE D20 M20 KIT
61	28046404	1	LINK-EYE Ø20 LH THREAD
62	46014904	1	NUT HEX M20X1.5 1/2 LEFT
63	78604604	1	HYD CYLINDER 2
64	46015404	1	NUT HEX M20X2.5 1/2
65	47002204	1	WASHER NORDLOCK M20
70	28056504	1	BOOM JOINT PLATE+SCREW
71	16396404	1	HYD CYLINDER PLATE 1
72	42011104	1	M8x25 DIN 933 HEX HEAD BOLT
80	28056604	1	RADIAL BOOM STOP
81	16396704	1	HYD CYLINDER PLATE 3
82	46015604	1	NUT HEX M18 CLASS10
83	47014204	1	WASHER NORDLOCK Ø18 LARGE



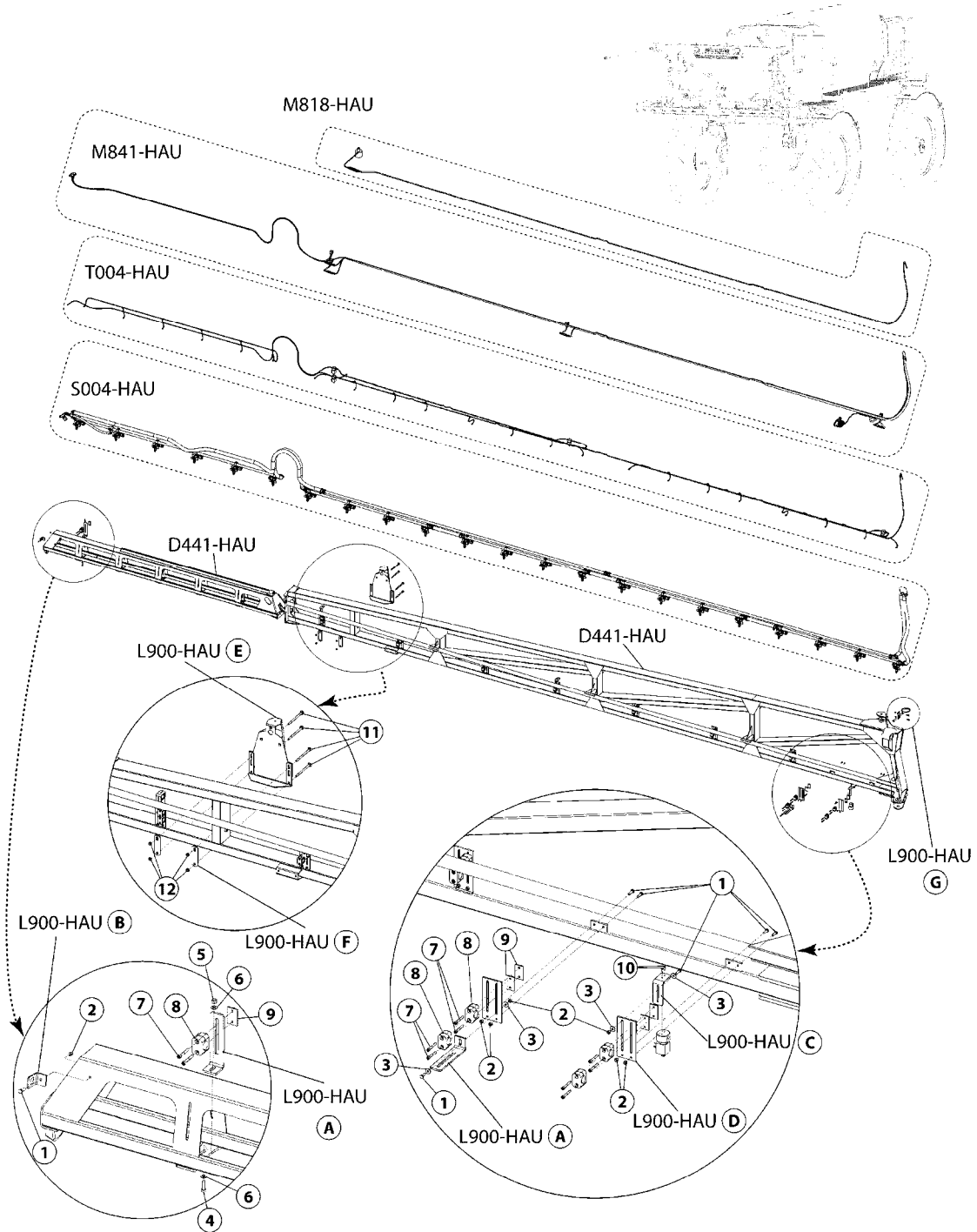
D450-HAU



RA INNER WING SYSTEMS &
FITTINGS
D450-HAU, 09:05:18

Page 1
Date 07.02.2020 8:05

Pos.	parts-n°	order qty	description
1	410362	1	BOLT HEX 8.8 SS M6X20
2	460261	1	NUT HEX M6X1.00 LOCK DIN985 A2 SS
3	471124	1	WASHER, M6, Ø18/ 6.4X 1.6, SS
4	471132	1	WASHER D24/D8.4 X 2 SS
5	471075	1	WASHER M8 LOCK
6	420582	1	BOLT HEX 8.8 DEL M8X20 FT A2
7	43005204	1	SOCKET HD SCREW M6 X 45 G304
8	786869	1	CLAMP 325 BLACK
9	786830	1	PLATE
10	458063	1	SCREW CS M4-10A2 DIN84
11	45003204	1	SCREW M8X16 SHCS
12	460423	1	NUT HEX M10X1.50 LOCK DIN985A2 SS
13	478043	1	WASHER M10N D11/D22X2 SS A2
14	45001204	1	COACHHEAD BOLT M10 L=160
15	421002	1	BOLT HEX 8.8 DEL M10X30 FT DIN933
16	421229	1	BOLT HEX 8.8 DEL M8x120
17	460143	1	SELF LOCK NUT M8 SST A2 DIN985



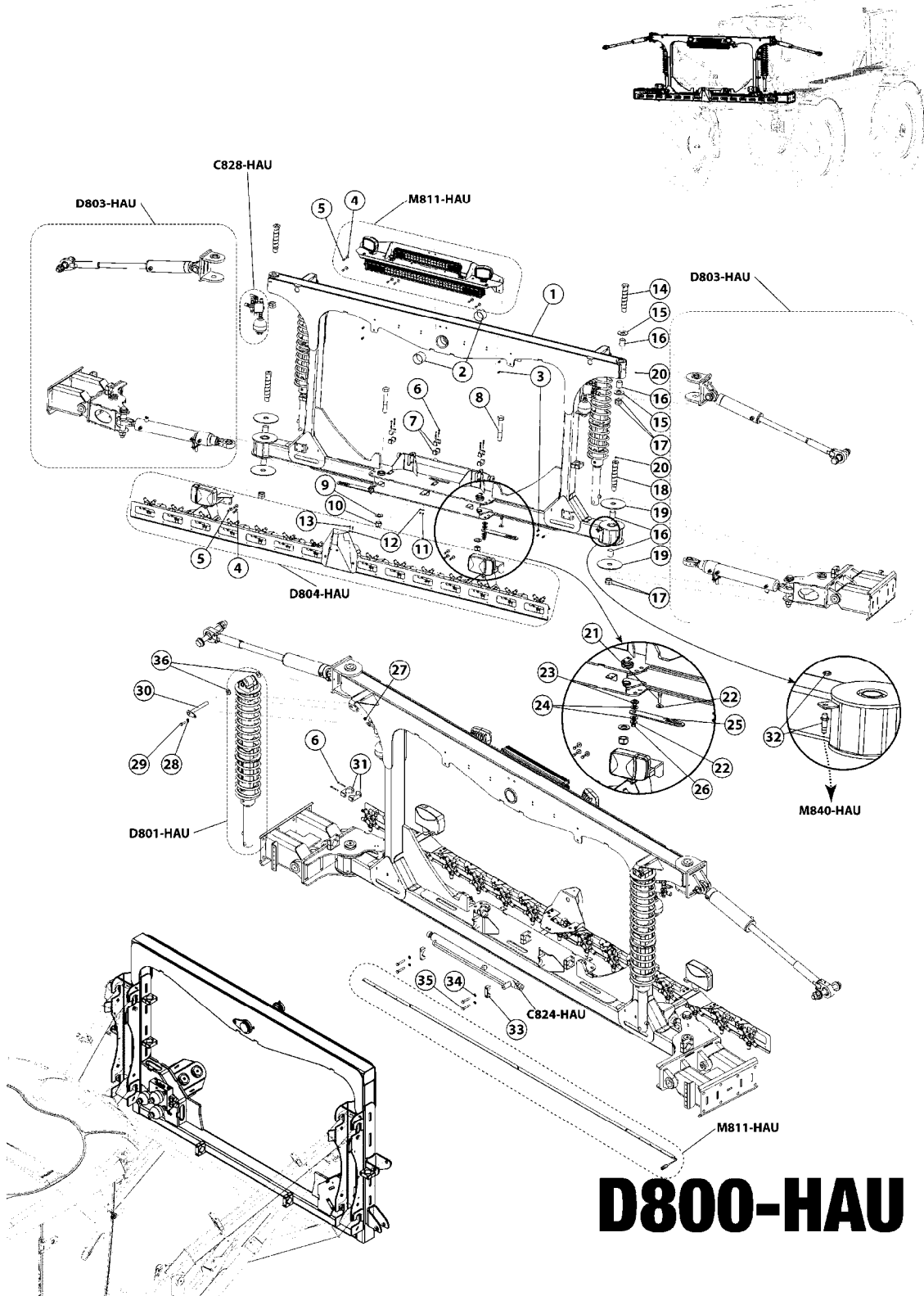
D451-HAU



RA OUTER WING SYSTEMS &
FITTINGS
D451-HAU, 03:05:18

Page 1
Date 07.02.2020 8:05

Pos.	parts-n°	order qty	description
1	410362	1	BOLT HEX 8.8 SS M6X20
2	460261	1	NUT HEX M6X1.00 LOCK DIN985 A2 SS
3	471124	1	WASHER, M6, Ø18/ 6.4X 1.6, SS
4	421046	1	BOLT HEX M8X25/25 A2 SS DIN933
5	460143	1	SELF LOCK NUT M8 SST A2 DIN985
6	471126	1	WASHER, M8, Ø16/ 8.4X 1.6, SS
7	43005204	1	SOCKET HD SCREW M6 X 45 G304
8	786869	1	CLAMP 325 BLACK
9	786830	1	PLATE
10	458063	1	SCREW CS M4-10A2 DIN84
11	45001204	1	COACHHEAD BOLT M10 L=160
12	460423	1	NUT HEX M10X1.50 LOCK DIN985A2 SS



D800-HAU



OUTER CENTER COMPONENTS -
RUBICON
D800-HAU, 01:01:18

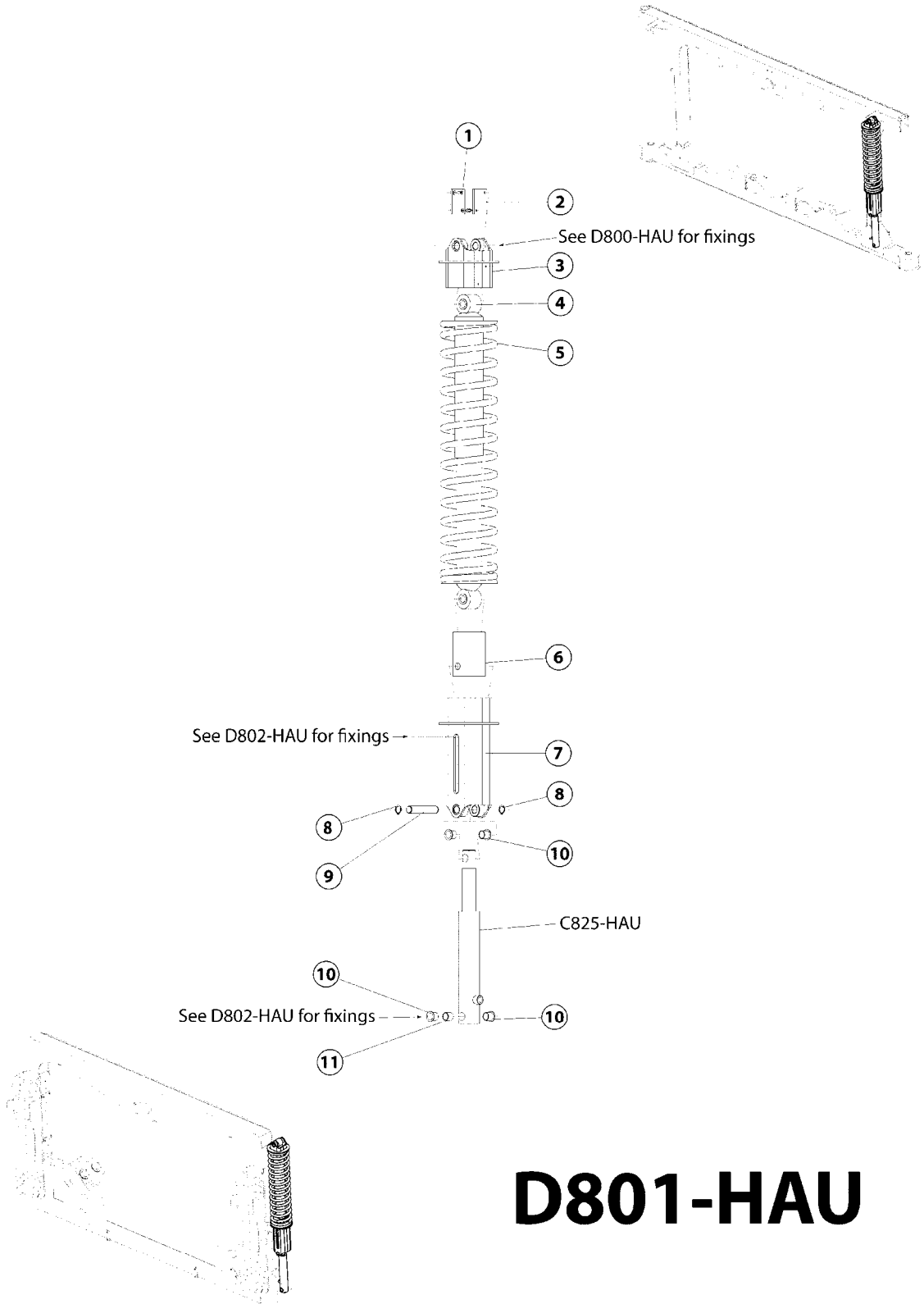
Page 1
Date 07.02.2020 8:05

Pos.	parts-n°	order qty	description
1	63084904	1	RUBICON OPEN OUTER FRAME
2	MA512006007	1	Bearings d80-85 L60
3	MA702017011	1	RIVET NUT M8
4	471132	1	WASHER D24/D8.4 X 2 SS
5	421046	1	BOLT HEX M8X25/25 A2 SS DIN933
6	MA701003079	1	SCREW SHCS M06X60 A2 912
7	MA161903000	1	PIPE HOLDER D42
8	14710304	1	PIN M30 X 196 LONG
9	47001704	1	WASHER M30 NORDLOCK
10	461316	1	NUT HEX LOCK M30X3.5 DIN 985
11	460261	1	NUT HEX M6X1.00 LOCK DIN985 A2 SS
12	471124	1	WASHER, M6, Ø18/ 6.4X 1.6, SS
13	410362	1	BOLT HEX 8.8 SS M6X20
14	MA246984000	1	Top case axis
15	MA246502000	1	Top main case washer
16	MA512006004	1	Bearing d40-44 L50
17	MA233339000	1	Down Nut D33 thread150
18	MA246983000	1	Main case axis
19	MA246497000	1	Main case washer
20	MA709001008	1	Grease fitting M8x125
21	430878	1	BOLT HEX 8.8 DEL M12X45 DIN931
22	160624	1	WASHER PLATE 6/13 X3
23	14709504	1	STEPPED SPIGOT DIA.40 X DIA.12 X 25 LONG
24	390464	1	WASHER NYLON 40/21/3
25	16389504	1	PLATE 6 X 325 X 50
26	460703	1	NUT HEX M12X1.75 LOCK DIN985A2 SS
27	MA702008007	1	AUTO LOCKNUT M10 AC8 ZB 985
28	MA703001059	1	WASHERS M10 STEEL ZB
29	MA701001147	1	BOLT H M10X30 8.8 ZB 933
30	MA246962000	1	Front frame damper axis
31	MA161120000	1	Mounting clamp Ø50
32	MA234822000	1	SENSOR
33	MA238579000	1	Half flange
34	471122	1	WASHER, M10, Ø20/10.5X 2.0, SS
35	420906	1	BOLT HEX 8.8 DEL M10X60
36	MA703001025	1	WASHER M20 STEEL ZB



CENTER PENDULUM DAMPER -
RUBICON
D801-HAU, 01:01:18

Page 0
Date 07.02.2020 8:05



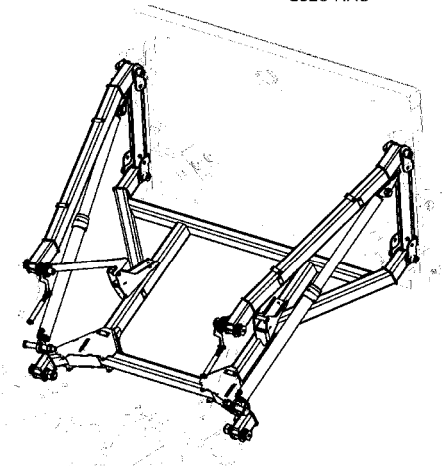
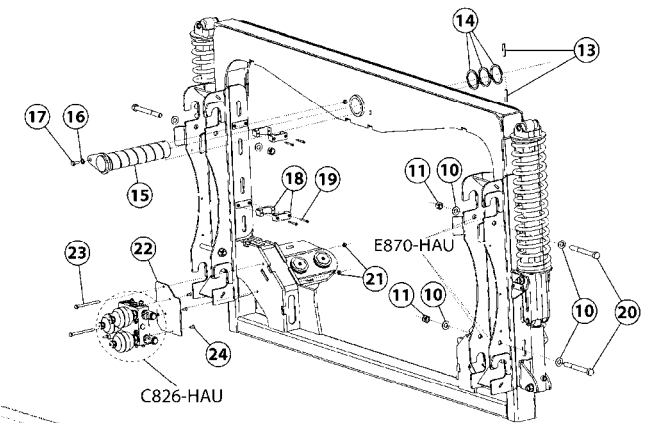
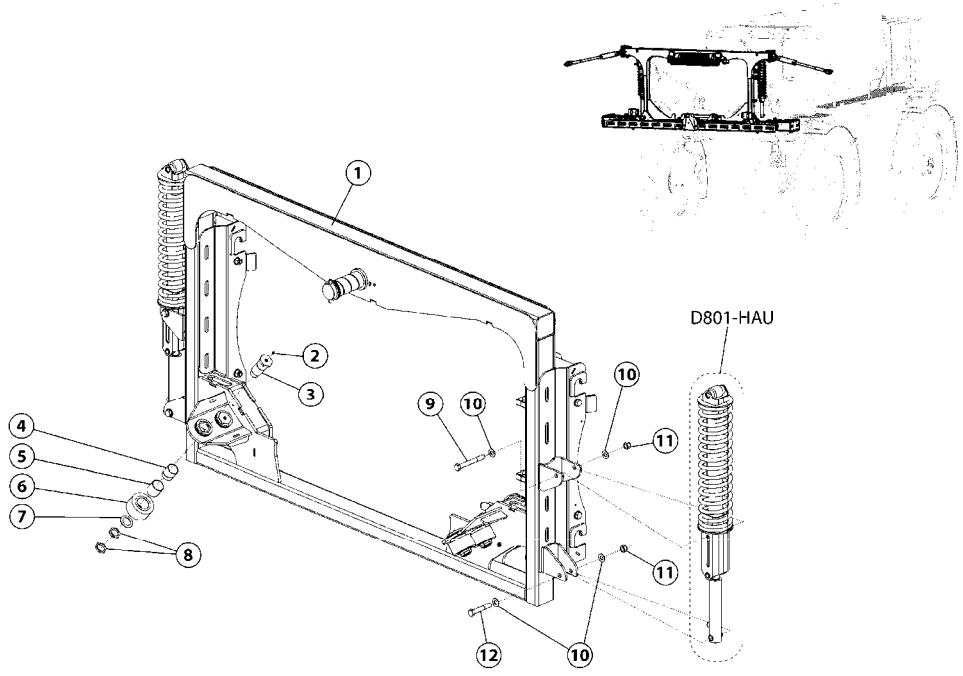
D801-HAU



CENTER PENDULUM DAMPER -
RUBICON
D801-HAU, 01:01:18

Page 1
Date 07.02.2020 8:05

Pos.	parts-n°	order qty	description
1	MA701004063	1	Screw fhc M5x12 A2 7991
2	MA246961000	1	Plate guide
3	MA246958000	1	TOP SPRING BRACKET
4	MA536001200	1	Damper stroke 381mm
5	MA502001013	1	MA502001013
6	MA246960000	1	Tube guide
7	MA246959000	1	RUBICON - BOTTOM SPRING BRACKET
8	MA706630030	1	Circlips ext 20 inox 471
9	MA246963000	1	Cylinder SA pre loading axis
10	MA512002003	1	Bearing IGLI g COL Lg 21.5 d20-23
11	MA512002002	1	Bearing IGLI g Lg 20 d20-23



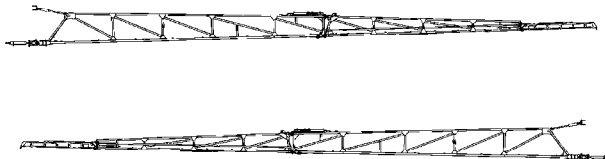
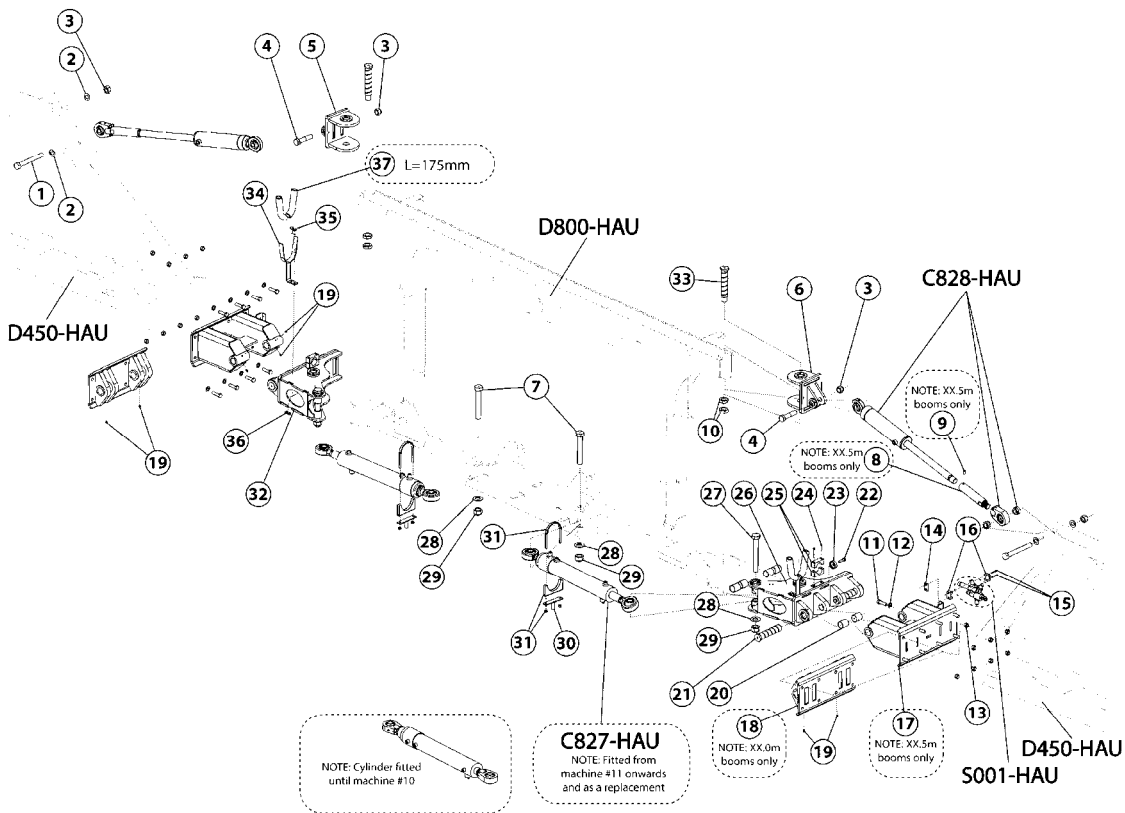
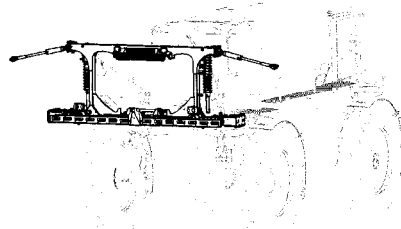
D802-HAU



CENTER LIFT FRAME - RUBICON
D802-HAU, 01:01:18

Page 1
Date 07.02.2020 8:05

Pos.	parts-n°	order qty	description
1	MA246954000	1	RUBICON - LIFT FRAME
2	MA709001008	1	Grease fitting M8x125
3	MA246964000	1	Tensioner axis
4	MA246966000	1	Brace
5	MA512006006	1	Bearing GGB dint55 dext60 lg60
6	MA246955000	1	Tensioner
7	MA246989000	1	Washer
8	MA155064000	1	Nut M40x150
9	MA701001316	1	Screw h m20x170 8.8 ZB 931
10	MA703001079	1	WASHER M20 SS
11	MA702008036	1	Auto locknut M20
12	MA701001304	1	Screw h m20x120 8.8 ZB 931
13	MA704004046	1	Spring Pin EL d13x060 Ac 1481
14	MA246990000	1	Main axis brace
15	MA246974000	1	MA246974000
16	MA703002027	1	WASHER TOOTH LOCK EXT AZ16 AC ZB 276
17	MA701001166	1	BOLT HEX M12X30 8.8 ZB 933
18	MA161120000	1	Mounting clamp Ø50
19	MA701003077	1	Screw CHC M06x60 8.8 912
20	MA701001372	1	Screw H M20x200 8.8 ZB 931
21	460423	1	NUT HEX M10X1.50 LOCK DIN985A2 SS
22	16393004	1	PLATE 5x193x231
23	421216	1	BOLT HEX 8.8 DEL M10X130
24	45004304	1	SCREW COUNTER SUNK M8-20 DIN7991 SS



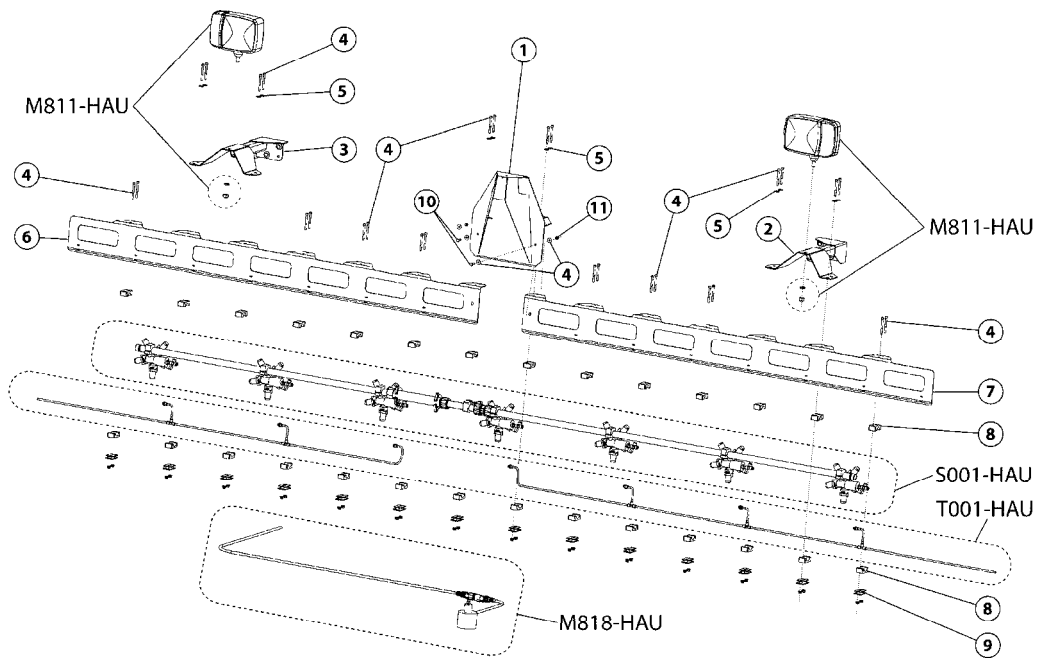
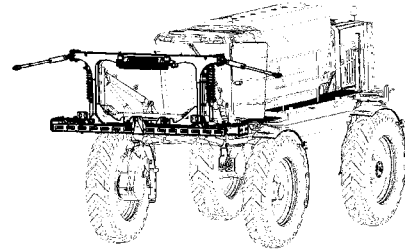
D803-HAU



BOOM TO CENTER CONNECTION -
RUBICON
D803-HAU, 12:01:18

Page 1
Date 07.02.2020 8:05

Pos.	parts-n°	order qty	description
1	43005504	1	BOLT 1" X 8 1/2" UNC GR 8
2	47003004	1	WASHER Ø45/Ø26X3
3	46001704	1	NUT NYLOCK 1" UNC
4	MA701001003	1	BOLT 1" X 4.5"
5	63094704	1	RUBICON- OPEN OUT FRAME TOP CASE LHS
6	63085404	1	RUBICON - OPEN OUTER FRAME TOP CASE
7	14710304	1	PIN M30 X 196 LONG
8	14043004	1	TILT CYLINDER SHAFT EXTENSION - RUBICON
9	45004104	1	GRUB SCREW M12 X 10
10	MA233339000	1	Down Nut D33 thread150
11	430765	1	BOLT HEX 8.8 DEL M16X55
12	471128	1	WASHER, M16, Ø30/17.0X 3.0, SS
13	460585	1	LOCKING NUT M16 DIN985 A2 SS
14	786830	1	PLATE
15	MA701003226	1	Screw CHc M06x045 A2 912
16	MA161302000	1	CLAMP, MOUNTING, D25
17	63090704	1	EXTENDED HINGE - RUBICON
18	63085804	1	RUBICON - PIVOT
19	MA709001008	1	Grease fitting M8x125
20	MA512006004	1	Bearing d40-44 L50
21	MA246490000	1	Main case pin
22	MA701001379	1	Screw h m12x45 8.8 zb 931
23	MA246504000	1	Stop bush
24	MA701003079	1	SCREW SHCS M06X60 A2 912
25	MA161120000	1	Mounting clamp Ø50
26	63085704	1	RUBICON - LEFT HINGE
27	14710204	1	PIN M30 X 229 LONG
28	47001704	1	WASHER M30 NORDLOCK
29	461316	1	NUT HEX LOCK M30X3.5 DIN 985
30	61049004	1	ANTI-ROTATION BRACKET B3/TR5/TDZ
31	28060004	1	EXHAUST CLAMP Ø102
32	63085604	1	RUBICON - RIGHT HINGE
33	MA246984000	1	Top case axis
34	61061800	1	HOSE HOLDER F.FEED HOSES
35	421002	1	BOLT HEX 8.8 DEL M10X30 FT DIN933
36	460423	1	NUT HEX M10X1.50 LOCK DIN985A2 SS
37	927124	1	HOSE R X 60 BAR X 1 X 0012"



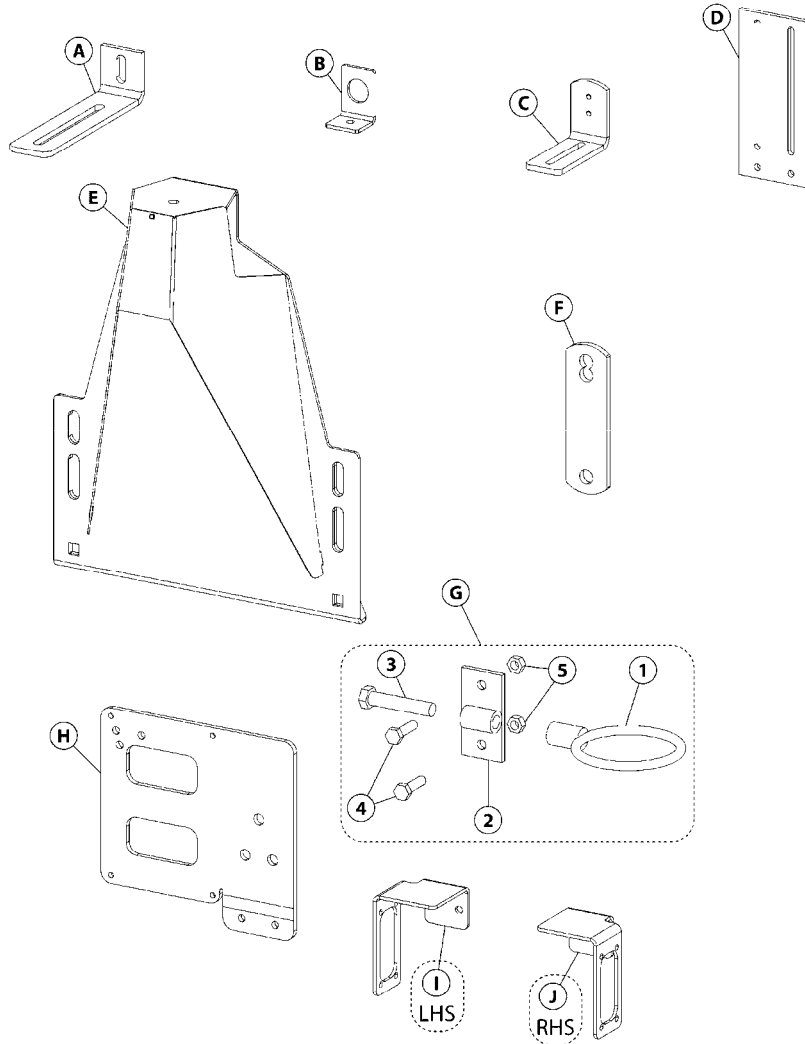
D804-HAU



BOOM CENTER SPRAY BAR
ASSEMBLY- RUBICON
D804-HAU, 12:01:18

Page 1
Date 07.02.2020 8:05

Pos.	parts-n°	order qty	description
1	63089404	1	CENTRE SPRAY RAIL - SUPPORT - CENTRE - NORAC
2	63089604	1	CENTRE SPRAY RAIL - SUPPORT - LEFT
3	63089504	1	CENTRE SPRAY RAIL - SUPPORT - RIGHT
4	MA701003226	1	Screw CHc M06x045 A2 912
5	471124	1	WASHER, M6, Ø18/ 6.4X 1.6, SS
6	16380204	1	PLATE 3 X 1778 X 208 / 2 BENDS
7	16380304	1	PLATE 3 X 1778 X 208 / 2 BENDS
8	MA161302000	1	CLAMP, MOUNTING, D25
9	786830	1	PLATE
10	410362	1	BOLT HEX 8.8 SS M6X20
11	460261	1	NUT HEX M6X1.00 LOCK DIN985 A2 SS



Please contact HARDI spare parts

L900-HAU



BOOM FITTINGS/PLATES/BRACKETS
L900-HAU, 03:05:18

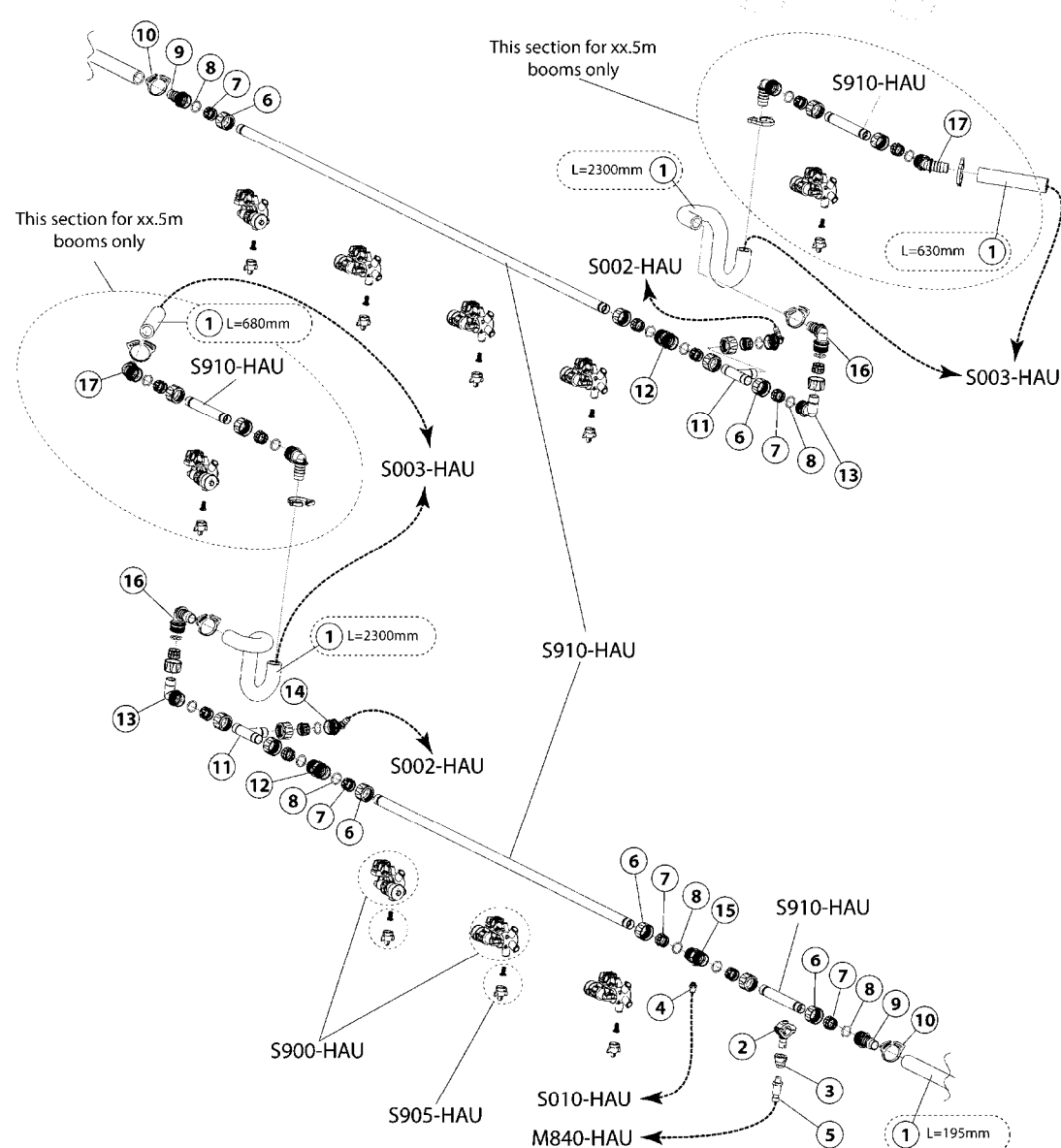
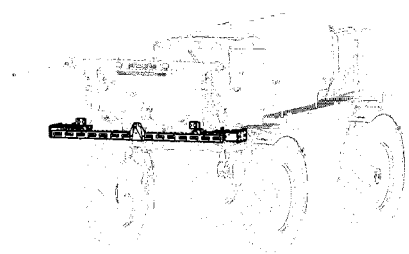
Page 1

Date 07.02.2020 8:05

Pos.	parts-n°	order qty	description
A	16216804	1	PLATE 5X191X40 ALUMINIUM GRADE 5005
B	16092004	1	PLATE 3 X 73 X 32/D2
C	16378404	1	PLATE 5 X 134 X 35 ALU 5005
D	16378504	1	PLATE 5 X 150 X 70 ALU
E	63067804	1	SENSOR BRACKET COMPACT NORAC
E	63094404	1	SENSOR BRACKET COMPACT NORAC - BLACK
F	16138700	1	PLATE F. TRANSPORT CROSS BAR
G	28044904	1	STEEL RING ALU-B3
H	16378304	1	PLATE 5 X 190 X 180 ALU
I	16392904	1	PLATE 3 X 146.5 X 93.5/ ALUMINIUM 5005
J	16387804	1	PLATE 3X146.5X93.5 / ALUMINIUM 5005
1	14038704	1	ROUND Ø20 L=50
2	61042104	1	MOUNT BRKT HOSE HOLDER ALU-TR5
3	43005704	1	BOLT HEX 8.8 M12X60 STAINLESS DIN931
4	420567	1	BOLT HEX 8.8 DEL M8X30 FT
5	460143	1	SELF LOCK NUT M8 SST A2 DIN985



NOTE Item 1
All dimensions are nominal.
It is advised that all lengths are
verified on the machine due to
optional configuraton variations



S001-HAU



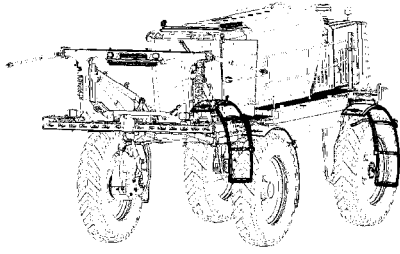
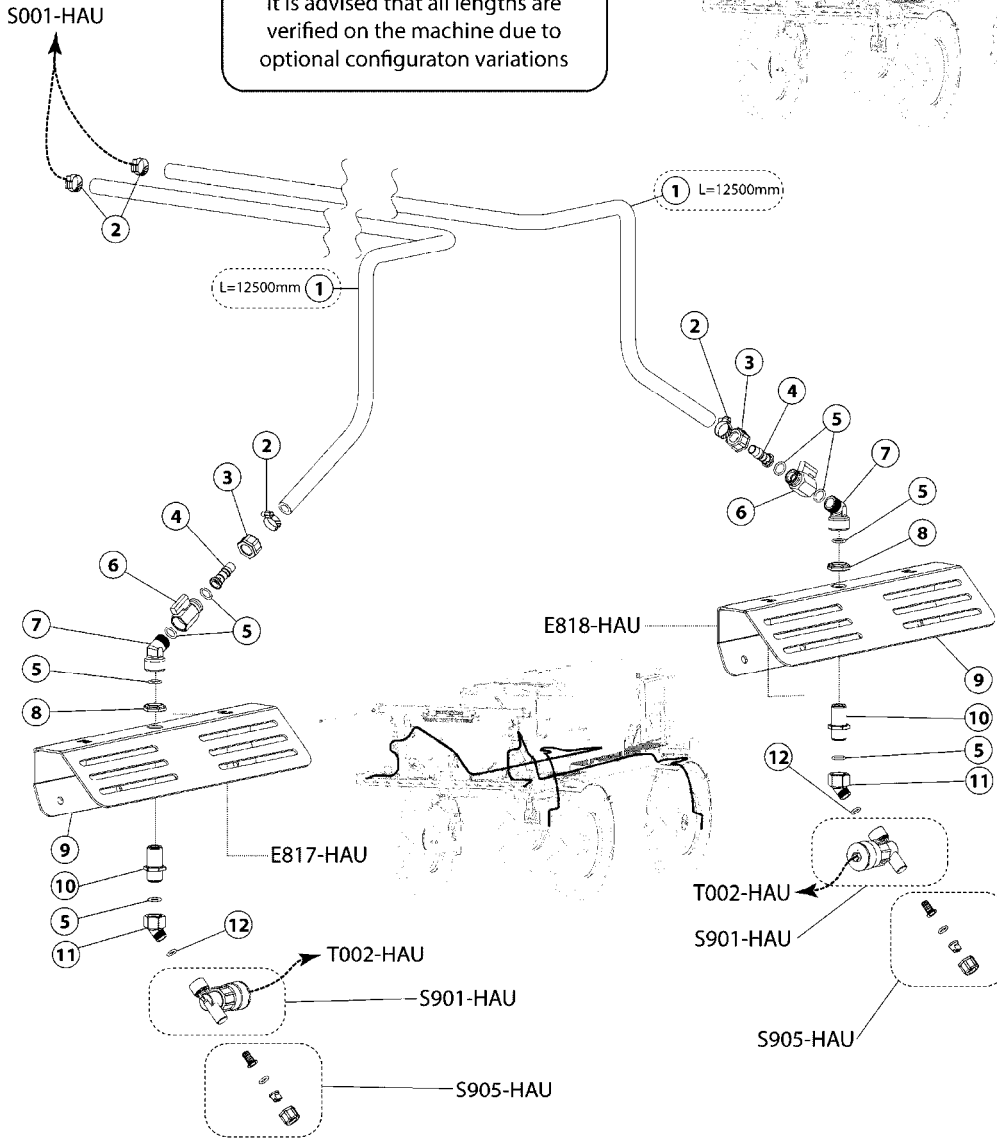
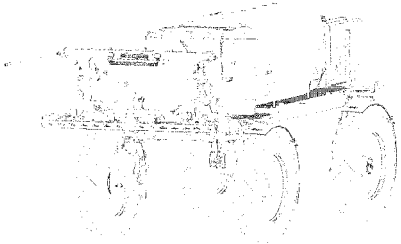
FLUID COMPONENTS CENTER &
HINGE - RUBICON
S001-HAU, 12:01:18

Page 1
Date 07.02.2020 8:05

Pos.	parts-n°	order qty	description
1	927124	1	HOSE R X 60 BAR X 1 X 0012"
2	MA244724000	1	ARAG NOZZLE CLAMP BODY
3	MA244725000	1	ARAG NOZZLE CAP REDUCER
4	5914201	1	1/4'' X 8MM TUBEFIT
5	MA243215000	1	PRESSURE SENSOR
6	32239700	1	FITT.DK NUT T25
7	33515500	1	FITT.DK NUT LOCK RING T25
8	24263000	1	O-RING Ø24.4 X 3.1 NITRIL SH70
9	32238900	1	FITT.DK HB 1" ST T25
10	334680	1	CLAMP HOSE PLASTIC 1"
11	33516100	1	FITT.DK TEE 3 X Ø25 T25
12	32239500	1	FITT.DK UNION CONNECTOR T25
13	32239600	1	FITT.DK HB ANGLE 90° T25
14	32239000	1	FITT.DK HB 1/2" 90° T25
15	39128700	1	FITT.DK CONNECTOR 1/4" RG T25
16	32239200	1	FITT.DK HB 1" 90° T25
17	32240300	1	FITT.DK HB 1" 45° T25



NOTE Item 1
All dimensions are nominal.
It is advised that all lengths are
verified on the machine due to
optional configuraton variations



S002-HAU



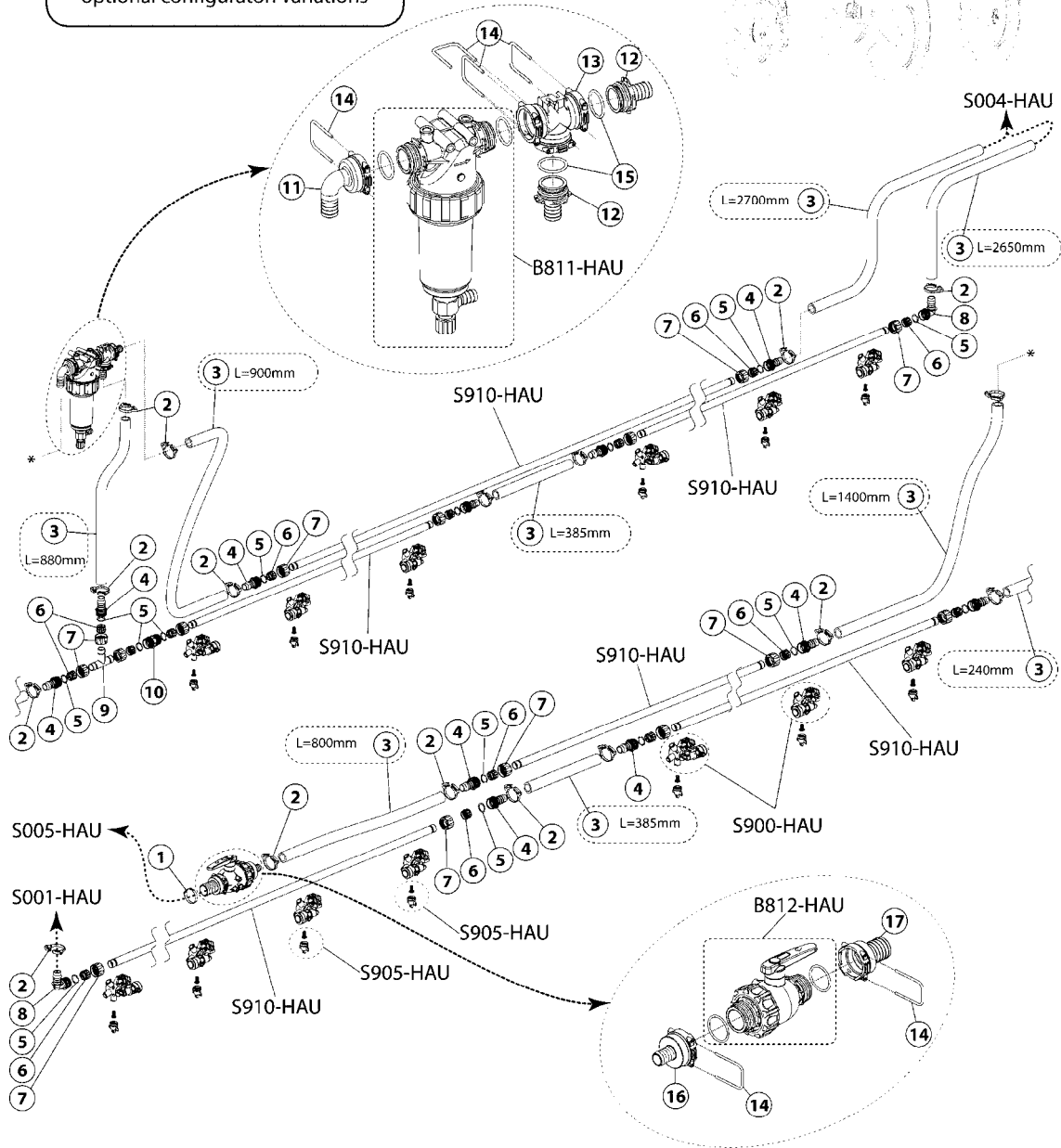
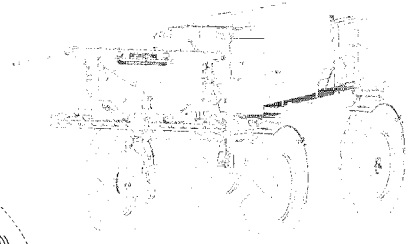
RUBICON - MUDGUARD NOZZLE
ASSEMBLY
S002-HAU, 26:02:18

Page 1
Date 07.02.2020 8:05

Pos.	parts-n°	order qty	description
1	927021	1	HOSE R X 60 BAR X 1/2 X 0012"
2	284583	1	CLAMP HOSE GEAR 1/2" 28029803
3	320084	1	FITT.DK NUT 1/2" BSP
4	330687	1	FITT.DK HB 1/2" F. 1/2" NUT
5	330212	1	O-RING D19/D14X2.4 F.1/2"NUT
6	281551	1	BALL VALVE 1/2"
7	320482	1	FITT.DK ELB. 1/2" BSP 60 DEG.
8	321307	1	FITT.DK NUT 1/2" BSP JAMB
9	16384904	1	PLATE 3 X 460 X 244 / 3 BENDS
10	321742	1	FITT.DK BULKHEAD 1/2' BSP
11	320596	1	FITT.DK ELB 3/8'-1/2'BSP 45DEG
12	330013	1	O-RING 2.5 X 10 PUR



NOTE Item 3
All dimensions are nominal.
It is advised that all lengths are verified on the machine due to optional configuraton variations



S003-HAU



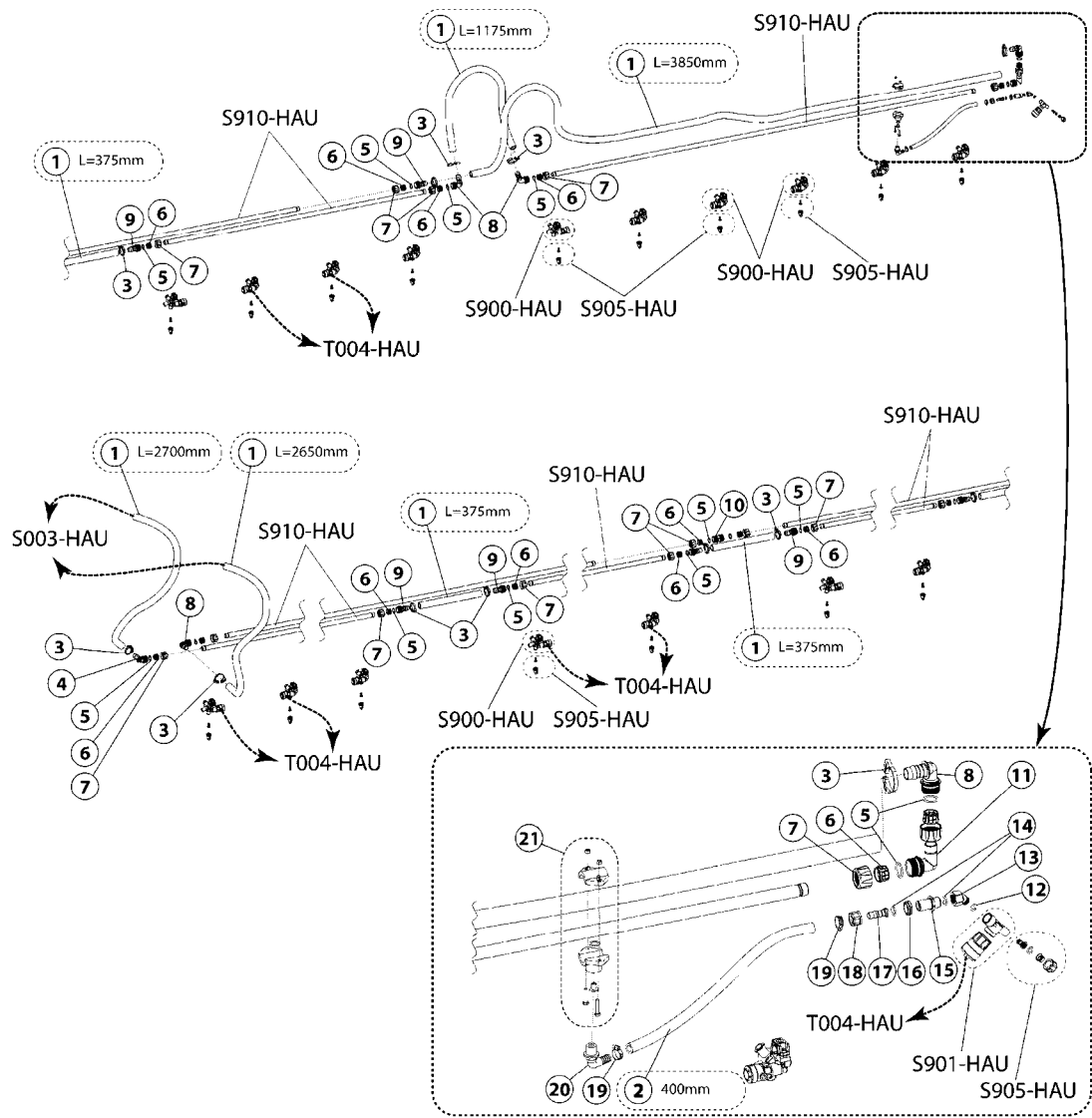
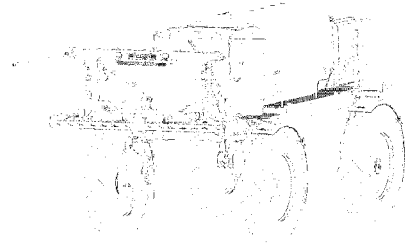
RUBICON - RA INNER WING FLUID
SYSTEM
S003-HAU, 28:02:18

Page 1
Date 07.02.2020 8:05

Pos.	parts-n°	order qty	description
1	5914249	1	WORM DRIVE CLAMP 32-50MM
2	334680	1	CLAMP HOSE PLASTIC 1"
3	927124	1	HOSE R X 60 BAR X 1 X 0012"
4	32238900	1	FITT.DK HB 1" ST T25
5	24263000	1	O-RING Ø24.4 X 3.1 NITRIL SH70
6	33515500	1	FITT.DK NUT LOCK RING T25
7	32239700	1	FITT.DK NUT T25
8	32239200	1	FITT.DK HB 1" 90° T25
9	33516100	1	FITT.DK TEE 3 X Ø25 T25
10	32239500	1	FITT.DK UNION CONNECTOR T25
11	33001604	1	ELBOW 90° 1" T5F
12	33001804	1	HOSE TAIL 1" T5 M
13	33001504	1	TEE FITTING T5F-T5F-T5F
14	14599004	1	U-PIN T5
15	24001104	1	O RING T5 3.53X36.10 NBR70
16	33001904	1	HOSE TAIL 1" T6 F
17	33002004	1	HOSE TAIL 1 1/2" T6 F



NOTE Items 1 & 2
All dimensions are nominal.
It is advised that all lengths are verified on the machine due to optional configuraton variations



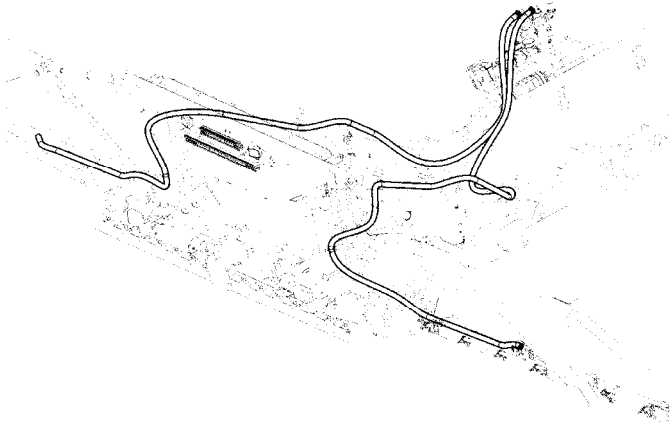
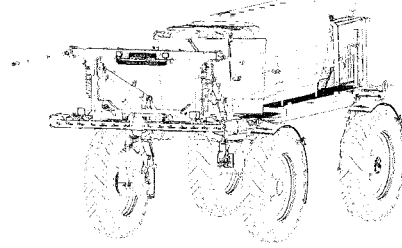
S004-HAU



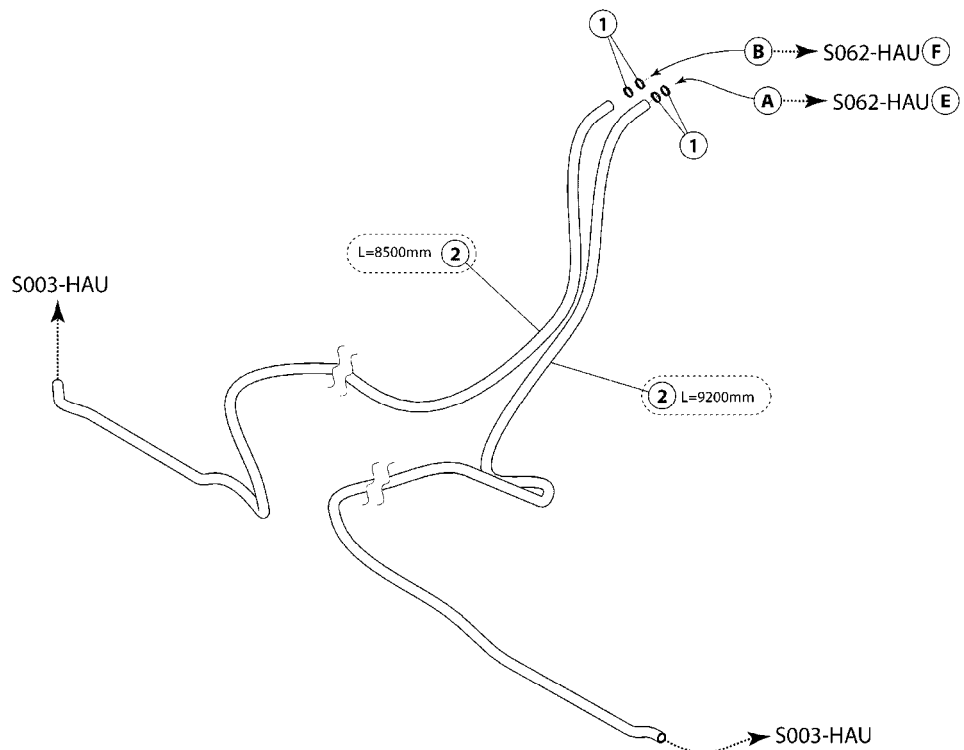
RUBICON - RA OUTER WING FLUID SYSTEM
S004-HAU, 03:05:18

Page 1
Date 07.02.2020 8:05

Pos.	parts-n°	order qty	description
1	927124	1	HOSE R X 60 BAR X 1 X 0012"
2	927021	1	HOSE R X 60 BAR X 1/2 X 0012"
3	334680	1	CLAMP HOSE PLASTIC 1"
4	32240300	1	FITT.DK HB 1" 45° T25
5	24263000	1	O-RING Ø24.4 X 3.1 NITRIL SH70
6	33515500	1	FITT.DK NUT LOCK RING T25
7	32239700	1	FITT.DK NUT T25
8	32239200	1	FITT.DK HB 1" 90° T25
9	32238900	1	FITT.DK HB 1" ST T25
10	32239500	1	FITT.DK UNION CONNECTOR T25
11	32239600	1	FITT.DK HB ANGLE 90° T25
12	330013	1	O-RING 2.5 X 10 PUR
13	320596	1	FITT.DK ELB 3/8'-1/2'BSP 45DEG
14	330212	1	O-RING D19/D14X2.4 F.1/2"NUT
15	321742	1	FITT.DK BULKHEAD 1/2' BSP
16	321307	1	FITT.DK NUT 1/2" BSP JAMB
17	330687	1	FITT.DK HB 1/2" F. 1/2" NUT
18	320084	1	FITT.DK NUT 1/2" BSP
19	284583	1	CLAMP HOSE GEAR 1/2" 28029803
20	288149	1	HOSE TAIL 90° BSP1/2" FOR HOSE Ø15
21	288457	1	BULKHEAD 1/2" SUIT T25 BOOM TUBE



NOTE Item 2
All dimensions are nominal.
It is advised that all lengths are verified on the machine due to optional configuration variations



S005-HAU

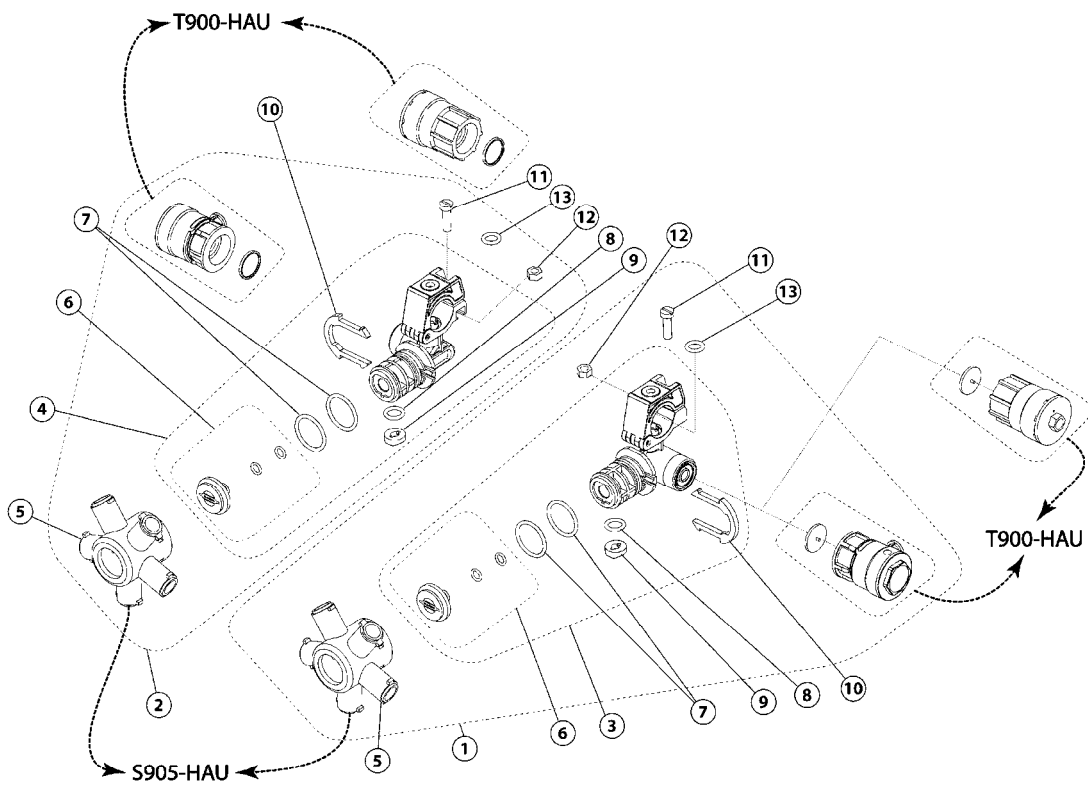


RUBICON - MAIN BOOM FLUID
FEEDS
S005-HAU, 26:11:18

Page 1

Date 07.02.2020 8:05

Pos.	parts-n°	order qty	description
1	5914249	1	WORM DRIVE CLAMP 32-50MM
2	MA240469000	1	HOSE Ø38X51 R4 D.38X50 / REV.:A



S900-HAU

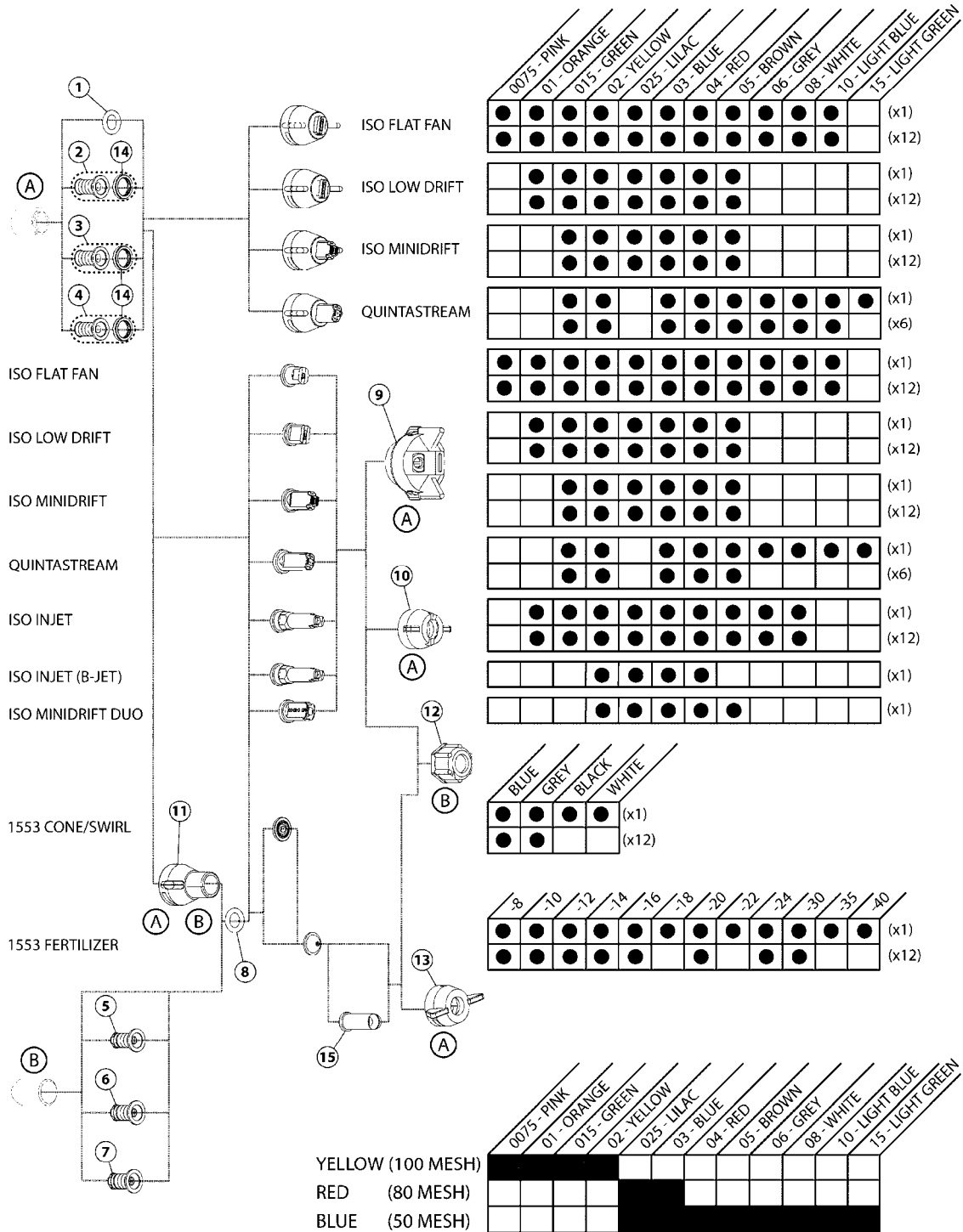


HARDI PENTABUS NOZZLE BODY
S900-HAU, 28:02:18

Page 1

Date 07.02.2020 8:05

Pos.	parts-n°	order qty	description
1	28060801	1	5-WAYS NOZZLE HOLDER, PNEUMATIC, Ø25 RIGHT
2	28060901	1	5-WAYS NOZZLE HOLDER, PNEUMATIC, Ø25 LEFT
5	28024400	1	ROTARY PLATE SNAP-FIT PENTA.
7	248166	1	O-RING 25,07x2,62 VITON
8	248164	1	O-RING D2,6X10,7 VITON
9	248163	1	BARREL SEAL
10	278498	1	CLIP
11	460202	1	NUT HEX M6
12	410347	1	SCREW M6X20 8.8
13	248167	1	O-RING FOR PENTAJET



S905-HAU



FIELD NOZZLES
S905-HAU, 19:02:18

Page 1

Date 07.02.2020 8:05

Pos.	parts-n°	order qty	description
1	242252	1	O-RING D10.0 X 3.0 NITRIL
2	725043	1	SCREEN 50 MESH W.GASKET,BLUE
2	750229	1	FILTER 50BLUE W/GASKE 12 PCS.
3	725042	1	SCREEN 80 MESH W.GASKET, RED
3	750228	1	FILTER 80RED W/GASKET 12 PCS.
4	725044	1	SCREEN 100 MESH W.GASKET,YELLO
4	750234	1	FILTER 100YELL.W/GASKET 12PCS
5	614366	1	FILTER 50 MESH F.NOZZLE BLUE
5	755410	1	FILTER 50MESH BLUE 12PCS.
6	614367	1	FILTER 80 MESH F.NOZZLE RED
6	755215	1	12 PCS NOZ. FILTER 80 MES
7	614368	1	FILTER 100 MESH F.NOZZLE YEL.
7	755411	1	12 PCS NOZ.FILTER 100 MES
8	330013	1	O-RING 2.5 X 10 PUR
9	28063000	1	HARDI DUOCAP
10	334083	1	SNAP-FIT NOZZLE HOLDER SS BLCK
11	322068	1	SNAP-FIT ADAPTER THREAD. HARDI
12	321517	1	FITT.DK CAP 3/8" BSP WHITE
13	334082	1	SNAP-FIT NOZZ.HOLD.CONE BLACK
14	390639	1	O-RING F.NOZZLE FILTER
15	371551	1	NOZZ LRG DROP FLAT SPRAY SINGL
16	371964	1	NOZZLE ISO CT F-075-110 PINK
17	371764	1	NOZZLE ISO CT F-01-110 ORANGE
18	371765	1	NOZZLE ISO CT F-015-110 GREEN
19	371766	1	NOZZLE ISO CT F-02-110 YELLOW
20	371950	1	NOZZLE ISO CT F-025-110 LILAC
21	371767	1	NOZZLE ISO CT F-03-110 BLUE
22	371768	1	NOZZLE ISO CT F-04-110 RED
23	371769	1	NOZZLE ISO CT F-05-110 BROWN
24	371770	1	NOZZLE ISO CT F-06-110 GREY
25	371771	1	NOZZLE ISO CT F-08-110 WHITE
26	371970	1	NOZZLE ISO CT F-10-110 LT BLUE
27	750634	1	NOZZLE ISO CT F-075-110 PIN.12
28	755627	1	NOZZLE ISO CT F-01-110 ORNG.12
29	755628	1	NOZZLE ISO CT F-015-110 GRN.12
30	755629	1	NOZZLE ISO CT F-02-110 YEL. 12
31	750626	1	NOZZLE ISO CT F-025-110 LIL.12
32	755630	1	NOZZLE ISO CT F-03-110 BLUE 12
33	755631	1	NOZZLE ISO CT F-04-110 RED 12
34	755632	1	NOZZLE ISO CT F-05-110 BRWN.12
35	755633	1	NOZZLE ISO CT F-06-110 GREY 12
36	755634	1	NOZZLE ISO CT F-08-110 WHIT.12
37	750636	1	NOZZLE ISO CT F-10-110 LTBLU12
38	371837	1	NOZZLE ISO CT LD-01-110 ORANGE
39	371838	1	NOZZLE ISO CT LD-015-110 GREEN
40	371839	1	NOZZLE ISO CT LD-02-110 YELLOW
41	371958	1	NOZZLE ISO CT LD-025-110 LILAC
42	371840	1	NOZZLE ISO CT LD-03-110 BLUE
43	371841	1	NOZZLE ISO CT LD-04-110 RED
44	371894	1	NOZZLE ISO CT LD-05-110 BROWN
45	755708	1	NOZZLE ISO CT LD-01-110 ORNG12
46	755709	1	NOZZLE ISO CT LD-015-110 GRN12
47	755710	1	NOZZLE ISO CT LD-02-110 YEL.12
48	750630	1	NOZZLE ISO CT LD-025-110 LIL12
49	755711	1	NOZZLE ISO CT LD-03-110 BLUE12
50	755712	1	NOZZLE ISO CT LD-04-110 RED 12
51	755815	1	SYNTAL ISO CT LD-05-110 Brn 12
52	372121	1	NOZZLE ISO CT MD-015-110 GREEN
53	372122	1	NOZZLE ISO CT MD-02-110 YELLOW
54	372123	1	NOZZLE ISO CT MD-025-110 LILAC
55	372124	1	NOZZLE ISO CT MD-03-110 BLUE



FIELD NOZZLES
S905-HAU, 19:02:18

Page 2
Date 07.02.2020 8:05

Pos.	parts-n°	order qty	description
56	372125	1	NOZZLE ISO CT MD-04-110 RED
57	372126	1	NOZZLE ISO CT MD-05-110 BROWN
58	75083100	1	MD-015-110-CT*12 GREEN SYNTAL
59	75083200	1	MD-02-110-CT*12 YELLOW SYNTAL
60	75083300	1	MD-025-110-CT*12 LILAC SYNTAL
61	75083400	1	MD-03-110-CT*12 BLUE SYNTAL
62	75083500	1	MD-04-110-CT*12 RED SYNTAL
63	75083600	1	MD-05-110-CT*12 BROWN SYNTAL
64	372011	1	NOZZLE ISO QS-015-5H GREEN
65	372012	1	NOZZLE ISO QS-02-5H YELLOW
66	372013	1	NOZZLE ISO QS-03-5H BLUE
67	372014	1	NOZZLE ISO QS-04-5H RED
68	372015	1	NOZZLE ISO QS-05-5H BROWN
69	372016	1	NOZZLE ISO QS-06-5H GREY
70	372017	1	NOZZLE ISO QS-08-5H WHITE
71	372018	1	NOZZLE ISO QS-10-5H LT. BLUE
72	372019	1	NOZZLE ISO QS-15-5H LT. GREEN
73	750680	1	ISO QNTSTRM 015 CT-GRN (6PCS)
74	750681	1	ISO QNTSTRM 02 CT-YELLOW (6PCS)
75	750682	1	ISO QNTSTRM 03 CT-BLUE (6PCS)
76	750683	1	ISO QNTSTRM 04 CT-RED (6PCS)
77	750684	1	ISO QNTSTRM 05 CT-BROWN (6PCS)
78	750685	1	ISO QNTSTRM 06 CT-GREY (6PCS)
79	750686	1	ISO QNTSTRM 08 CT-WHITE (6PCS)
80	750687	1	ISO QNTSTRM 10 CT-LT BLU (6PCS)
81	371963	1	NOZZLE ISO F-075-110 PINK
82	371706	1	NOZZLE ISO F-01-110 ORANGE
83	371707	1	NOZZLE ISO F-015-110 GREEN
84	371708	1	NOZZLE ISO F-02-110 YELLOW
85	371946	1	NOZZLE ISO F-025-110 LILAC
86	371709	1	NOZZLE ISO F-03-110 BLUE
87	371710	1	NOZZLE ISO F-04-110 RED
88	371711	1	NOZZLE ISO F-05-110 BROWN
89	371712	1	NOZZLE ISO F-06-110 GREY
90	371713	1	NOZZLE ISO F-08-110 WHITE
91	371966	1	NOZZLE ISO F-10-110 LT BLUE
92	750635	1	NOZZLE ISO F-075-110 PINK 12
93	755643	1	NOZZLE ISO F-01-110 ORANGE 12
94	755646	1	NOZZLE ISO F-015-110 GREEN 12
95	755649	1	NOZZLE ISO F-02-110 YELLOW 12
96	750628	1	NOZZLE ISO F-025-110 LILAC 12
97	755652	1	NOZZLE ISO F-03-110 BLUE 12
98	755655	1	NOZZLE ISO F-04-110 RED 12
99	755658	1	NOZZLE ISO F-05-110 BROWN 12
100	755661	1	NOZZLE ISO F-06-110 GREY 12
101	755664	1	NOZZLE ISO F-08-110 WHITE 12
102	750638	1	NOZZLE ISO F-10-110 LT BLUE 12
103	371817	1	NOZZLE ISO LD-01-110 ORANGE
104	371818	1	NOZZLE ISO LD-015-110 GREEN
105	371819	1	NOZZLE ISO LD-02-110 YELLOW
106	371957	1	NOZZLE ISO LD-025-110 LILAC
107	371820	1	NOZZLE ISO LD-03-110 BLUE
108	371821	1	NOZZLE ISO LD-04-110 RED
109	371893	1	NOZZLE ISO LD-05-110 BROWN
110	755698	1	NOZZLE ISO LD-01-110 ORANGE 12
111	755699	1	NOZZLE ISO LD-015-110 GREEN 12
112	755700	1	NOZZLE ISO LD-02-110 YELLOW 12
113	750632	1	NOZZLE ISO LD-025-110 LILAC 12
114	755701	1	NOZZLE ISO LD-03-110 BLUE 12
115	755702	1	NOZZLE ISO LD-04-110 RED 12
116	755817	1	SYNTAL ISO LD-05-110 Brwn 12



Pos.	parts-n°	order qty	description
117	372111	1	NOZZLE ISO MD-015-110 GREEN
118	372112	1	NOZZLE ISO MD-02-110 YELLOW
119	372113	1	NOZZLE ISO MD-025-110 LILAC
120	372114	1	NOZZLE ISO MD-03-110 BLUE
121	372115	1	NOZZLE ISO MD-04-110 RED
122	372116	1	NOZZLE ISO MD-05-110 BROWN
123	75082100	1	MD-015-110-S*12 GREEN SYNTAL
124	75082200	1	MD-02-110-S*12 YELLOW SYNTAL
125	75082300	1	MD-025-110-S*12 LILAC SYNTAL
126	75082400	1	MD-03-110-S*12 BLUE SYNTAL
127	75082500	1	MD-04-110-S*12 RED SYNTAL
128	75082600	1	MD-05-110-S*12 BROWN SYNTAL
129	372002	1	ISO QNTSTRM 015 S-GREEN
130	372003	1	ISO QNTSTRM 02 S-YELLOW
131	372004	1	ISO QNTSTRM 03 S-BLUE
132	372005	1	ISO QNTSTRM 04 S-RED
133	372006	1	ISO QNTSTRM 05 S-BROWN
134	372007	1	ISO QNTSTRM 06 S-GREY
135	372008	1	ISO QNTSTRM 08 S-WHITE
136	372009	1	ISO QNTSTRM 10 S-LT.BLU
137	372010	1	ISO QNTSTRM 15 S-LT.GRN
138	750671	1	ISO QNTSTRM 015 S-GREEN (6PCS)
139	750672	1	ISO QNTSTRM 02 S-YELLOW (6PCS)
140	750673	1	ISO QNTSTRM 03 S-BLUE (6PCS)
141	750674	1	ISO QNTSTRM 04 S-RED (6PCS)
142	750675	1	ISO QNTSTRM 05 S-BROWN (6PCS)
143	371926	1	NOZZLE INJET 01 ORANGE SINGLE
144	371872	1	NOZZLE INJET 015 GREEN SINGLE
145	371873	1	NOZZLE INJET 02 YELLOW SINGLE
146	371874	1	NOZZLE INJET 025 LILAC SINGLE
147	371875	1	NOZZLE INJET 03 BLUE SINGLE
148	371876	1	NOZZLE INJET 04 RED SINGLE
149	371927	1	NOZZLE INJET 05 BROWN SINGLE
150	371928	1	NOZZLE INJET 06 GREY SINGLE
151	371929	1	NOZZLE INJET 08 WHITE SINGLE
152	75078800	1	IJ-01-110-S*12 ORANGE SYNTAL
153	75081500	1	IJ-015-110-S*12 GREEN SYNTAL
154	75081600	1	IJ-110-02 S*12 YELLOW SYNTAL
155	75081700	1	12 PCS 371874 INJET 025 LILAC
156	75081800	1	IJ-03-110-S*12 BLUE SYNTAL
157	75081900	1	12 PCS 371876 INJET 04 RED
158	75078900	1	IJ-05-110-S*12 BROWN SYNTAL
159	75079000	1	IJ-06-110-S*12 GREY SYNTAL
160	75079100	1	IJ-08-110-S*12 WHITE SYNTAL
161	371930	1	NOZZLE B-JET 02 YELLOW
162	371877	1	NOZZLE B-JET 025 LILAC
163	371870	1	NOZZLE B-JET 03 BLUE
164	371871	1	NOZZLE B-JET 04 RED
165	37218400	1	NOZ.DUO ISO MD-020-110 YELLOW
166	37218500	1	NOZ.DUO ISO MD-025-110 LILAC
167	37218100	1	NOZ.DUO ISO MD-030-110 BLUE
168	37218200	1	NOZ.DUO ISO MD-040-110 RED
169	37218300	1	NOZ.DUO ISO MD-050-110 BROWN
170	370156	1	NOZZLE SWIRL 1554-BLUE
171	370134	1	NOZZLE SWIRL 1554-GREY
172	370145	1	NOZZLE SWIRL 1554-BLACK
173	370167	1	NOZZLE SWIRL 1554-1.3 WHITE
174	755182	1	NOZZLE SWIRL 1554 BLUE 12PCS.
175	755156	1	NOZZLE SWIRL 1554 GREY 12PCS.
176	370016	1	NOZZLE CONE JET 1553-08
177	370027	1	NOZZLE CONE JET 1553-10



FIELD NOZZLES
S905-HAU, 19:02:18

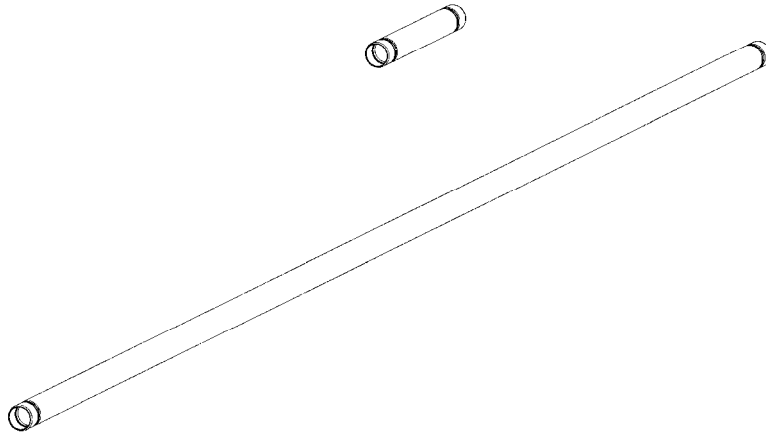
Page 4
Date 07.02.2020 8:05

Pos.	parts-n°	order qty	description
178	370031	1	NOZZLE CONE JET 1553-12
179	370042	1	NOZZLE CONE JET 1553-14
180	370053	1	NOZZLE CONE JET 1553-16
181	370064	1	NOZZLE CONE JET 1553-18
182	370075	1	NOZZLE CONE JET 1553-20
183	370086	1	NOZZLE CONE JET 1553-22
184	370097	1	NOZZLE CONE JET 1553-24
185	370101	1	NOZZLE CONE JET 1553-30
186	370112	1	NOZZLE CONE JET 1553-35
187	370123	1	NOZZLE CONE JET 1553-40
188	750256	1	NOZZLE CONE JET 1553-08 12PCS
189	755031	1	NOZZLE CONE JET 1553-10 12PCS.
190	755382	1	NOZZLE CONE JET 1553-12 12PCS.
191	755064	1	NOZZLE CONE JET 1553-14 12PCS.
192	755385	1	NOZZLE CONE JET 1553-16 12PCS.
193	755097	1	NOZZLE CONE JET 1553-20 12PCS.
194	755123	1	C-1553-24-S*12 GREY SYNTAL
195	750257	1	NOZZLE CONE JET 1553-30 12PCS



STAINLESS STEEL BOOM TUBES
S910-HAU, 01:03:18

Page 0
Date 07.02.2020 8:05



Length (mm)	No Holes	250mm Spacing	500mm Spacing
620	3	2	
870	4		
1120	5	3	
1220	●		
1620		7	4
2120		9	5
2270	●		
2620	●	11	6
2800	●		
3120	●	13	7
3620	●		
3670	●		9
4120	●		
4520	●		

Length (mm)	10 inch Spacing	20 inch Spacing
628	2	
1136	3	
1644	4	
2152	5	
2660	6	

Length (mm)	1 Hole
170	●
370	●

S910-HAU



STAINLESS STEEL BOOM TUBES
S910-HAU, 01:03:18

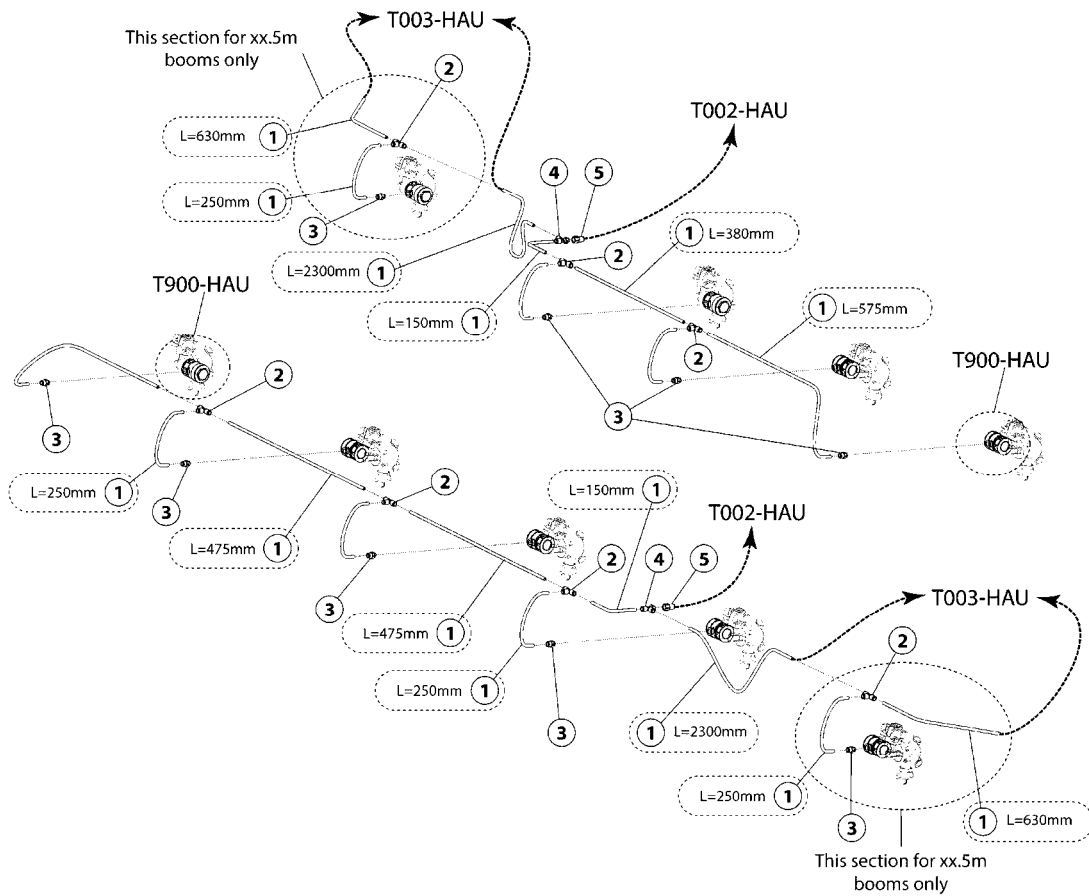
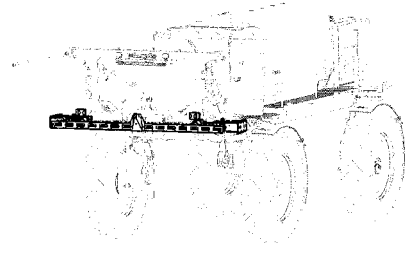
Page 1

Date 07.02.2020 8:05

Pos.	parts-n°	order qty	description
1	15149300	1	FEED TUBE-SS, T25 X 1220
2	15149400	1	FEED TUBE-SS, T25 X 2270
3	15149800	1	FEED TUBE-SS, T25 X 2620
4	15149500	1	FEED TUBE-SS, T25 X 2820
5	15149900	1	FEED TUBE-SS, T25 X 3120
6	15150000	1	FEED TUBE-SS, T25 X 3620
7	15149600	1	FEED TUBE-SS, T25 X 3670
8	15150100	1	BOOMTUBE SST25 NO HOLE L=4120
9	15149700	1	FEED TUBE-SS, T25 X 4520
20	15073004	1	B-TUBE RSF R25 SNAP 620 3HOLE
21	15075804	1	B-TUBE RSF R25 SNAP 870 4HOLE
22	15073104	1	B-TUBE RSF R25 SNAP 1120 5HOLE
23	15073204	1	B-TUBE RSF R25 SNAP 1620 7HOLE
24	15073304	1	B-TUBE RSF R25 SNAP 2120 9HOLE
25	15073404	1	B-TUBE RSF R25 SNAP 2620 11HOL
26	15073504	1	B-TUBE RSF R25 SNAP 3120 13HOL
30	15150400	1	NOZ.TUBE-SS, T25 X 620, 2-50cm
31	15150500	1	NOZ.TUBE-SS, T25 X 1120, 3-50cm
32	15150600	1	NOZ.TUBE-SS, T25 X 1620, 4-50cm
33	15150700	1	NOZ.TUBE-SS, T25 X 2120, 5-50cm
34	15150800	1	BOOMTUBE SS 25MM 6 HOLE L=2620
35	15150900	1	BOOMTUBE SS 25MM 7 HOLE
36	15151100	1	BOOMTUBE SS 25MM 9 HOLE
50	15156000	1	NOZ.TUBE-SS, T25 X 628, 2-20"
51	15156100	1	NOZ.TUBE-SS, T25 X 1136, 3-20"
52	15156200	1	NOZ.TUBE-SS, T25 X 1644, 4-20"
53	15156300	1	NOZ.TUBE-SS, T25 X 2152, 5-20"
54	15156400	1	NOZ.TUBE-SS, T25 X 2660, 6-20"
60	15150200	1	NOZZLE TUBE SS Ø25 170 1 HOLE
61	15150300	1	NOZ.TUBE-SS, T25 X 370, 1-50cm



NOTE Item 1
All dimensions are nominal.
It is advised that all lengths are verified on the machine due to optional configuraton variations



T001-HAU



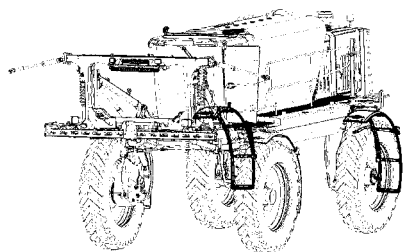
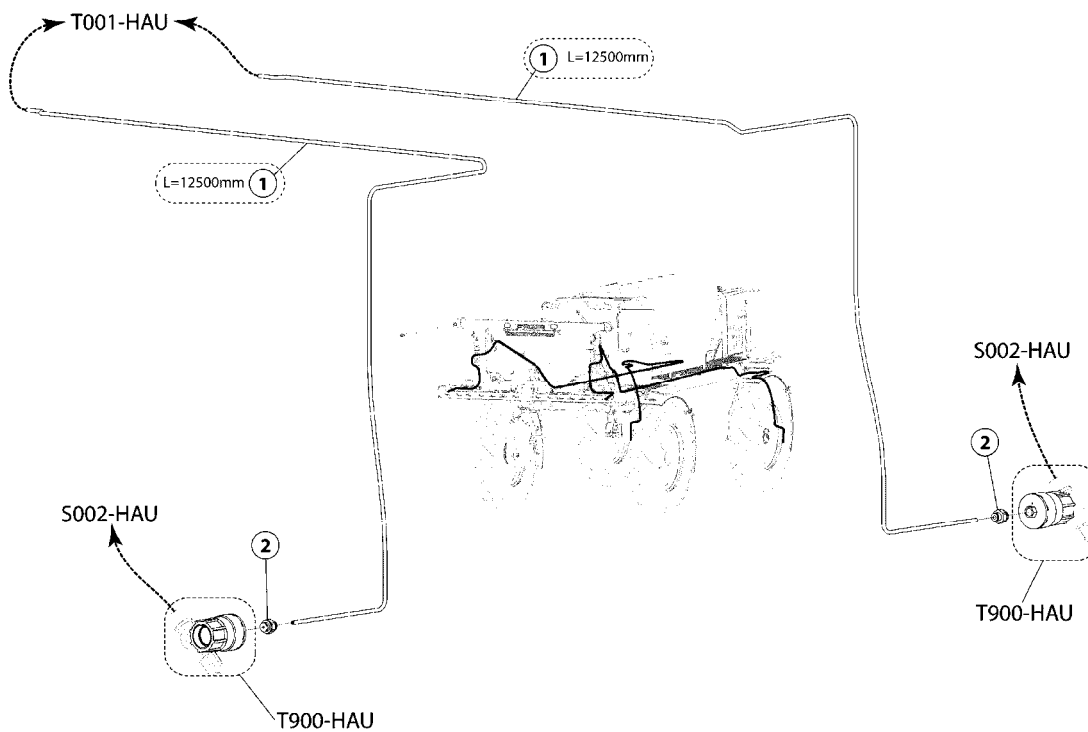
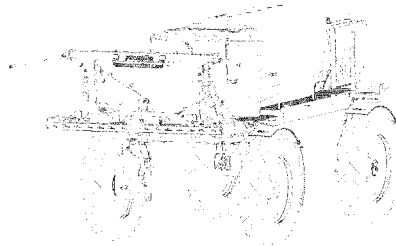
RUBICON - CENTER PNEUMATIC
SYSTEM
T001-HAU, 04:04:18

Page 1
Date 07.02.2020 8:05

Pos.	parts-n°	order qty	description
1	5913700	1	TUBE-POLY-6MM - BLACK
2	28061104	1	6mm PUSH IN TUBE TEE
3	5914200-1	1	1/8''X 6MM TUBEFIT
4	28063004	1	TUBEFIT 6MM X 1/8 RUN TEE
5	28062904	1	TUBEFIT 4MM X 1/8 FEMALE



NOTE Item 1
All dimensions are nominal.
It is advised that all lengths are verified on the machine due to optional configuraton variations



T002-HAU



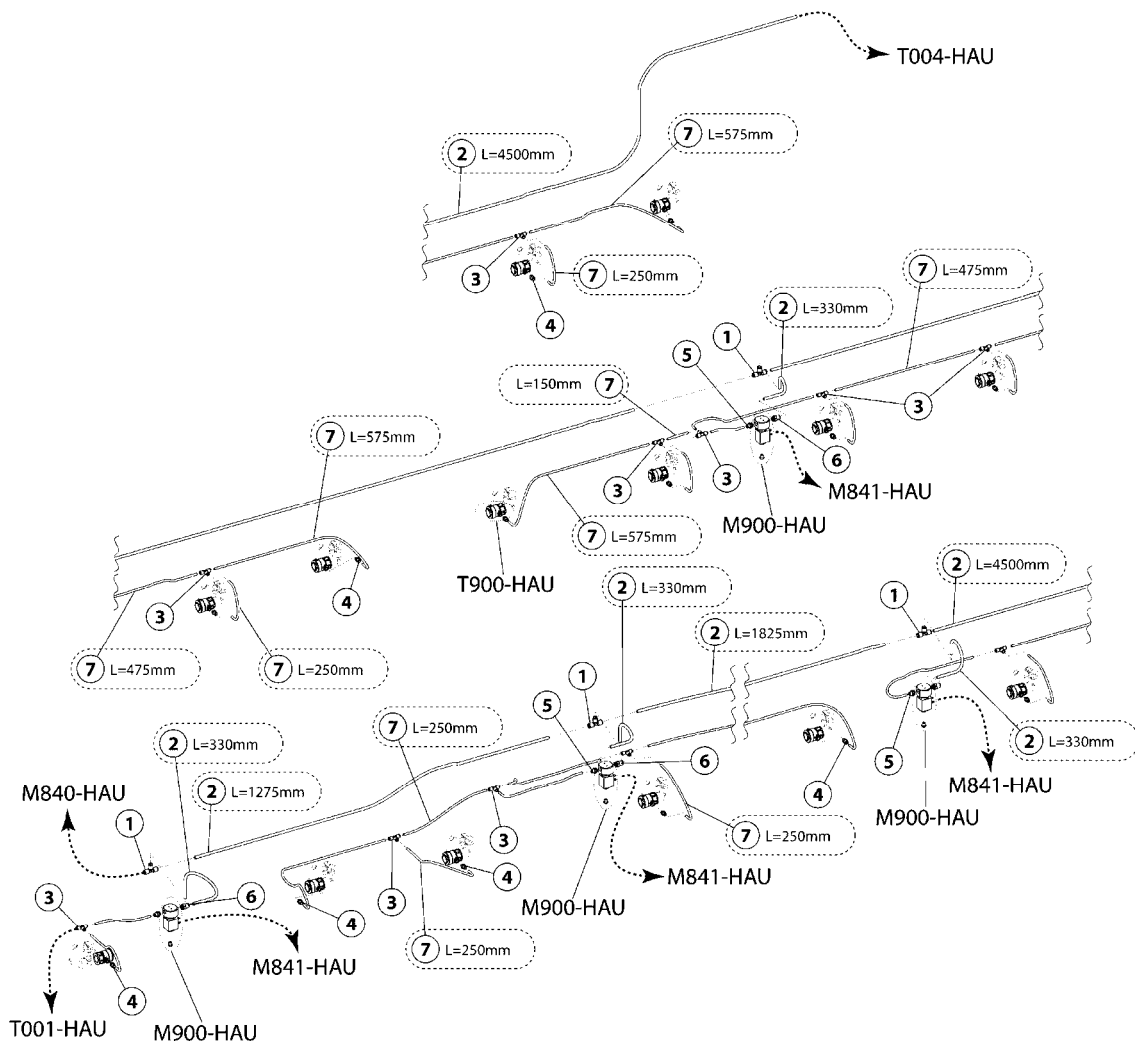
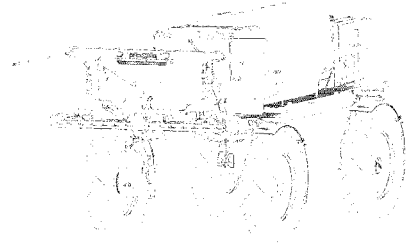
RUBICON - MUDGUARD PNEUMATIC
SYSTEM
T002-HAU, 23:03:18

Page 1
Date 07.02.2020 8:05

Pos.	parts-n°	order qty	description
1	927253	1	RED AIR HOSE, Ø4/2 1810 E
2	231346	1	QUICK COUPLER 1/8"BSP X 4 MM



NOTE Items 2 & 7
All dimensions are nominal.
It is advised that all lengths are
verified on the machine due to
optional configuraton variations



T003-HAU



RUBICON - RA INNER WING
PNEUMATIC SYSTEM
T003-HAU, 23:03:18

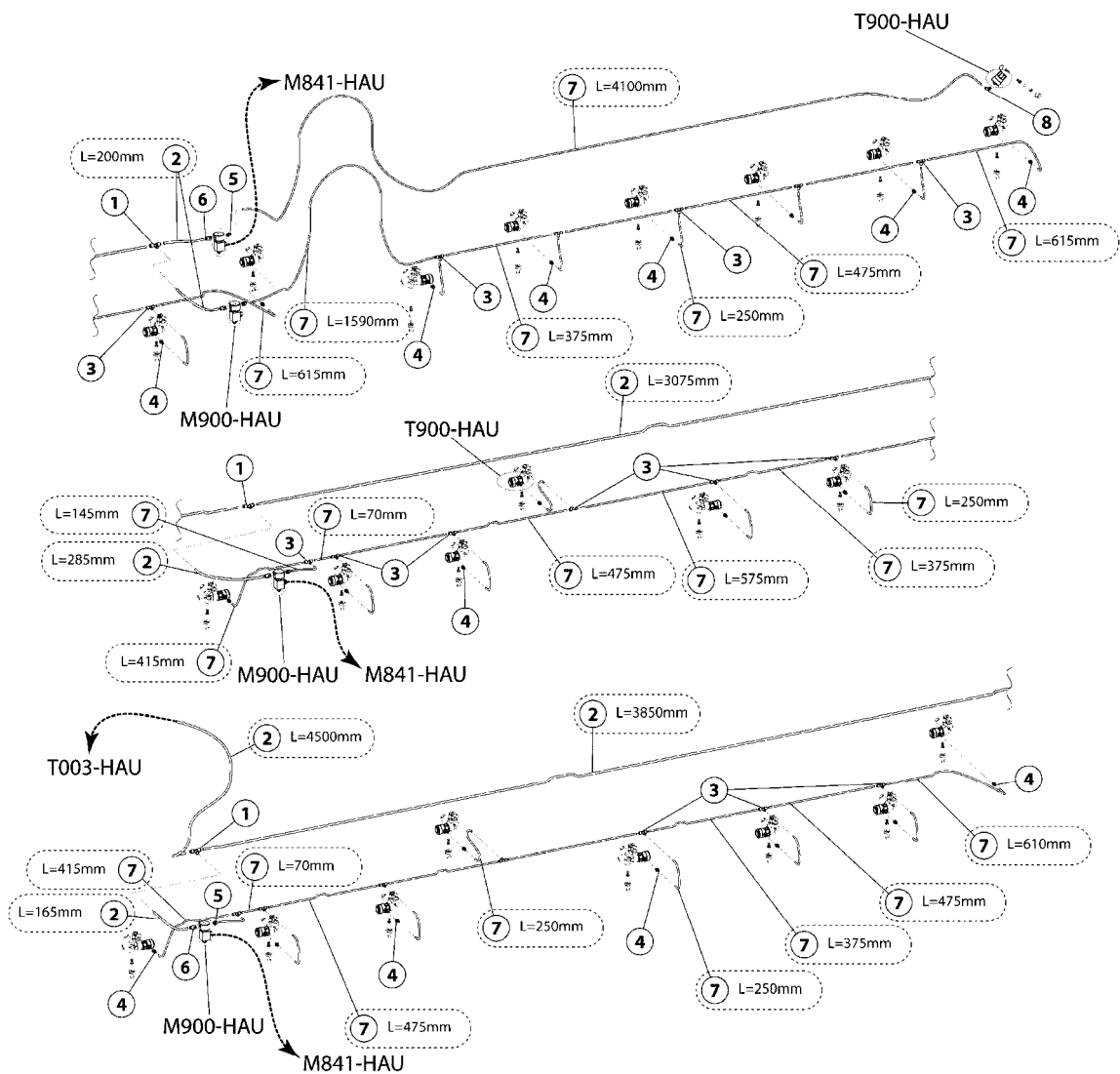
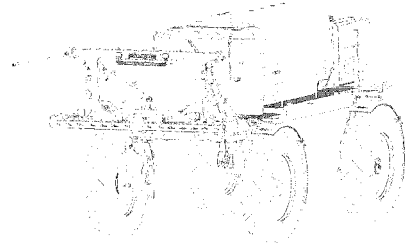
Page 1

Date 07.02.2020 8:05

Pos.	parts-n°	order qty	description
1	5904270-9	1	TEE 8MM PUSH
2	5913701	1	TUBE-POLY-8MM - BLACK
3	28061104	1	6mm PUSH IN TUBE TEE
4	5914200-1	1	1/8''X 6MM TUBEFIT
5	5914200	1	1/4''BSP X 6MM TUBE
6	5914201	1	1/4''X 8MM TUBEFIT
7	5913700	1	TUBE-POLY-6MM - BLACK



NOTE Items 2 & 7
All dimensions are nominal.
It is advised that all lengths are
verified on the machine due to
optional configuraton variations



T004-HAU

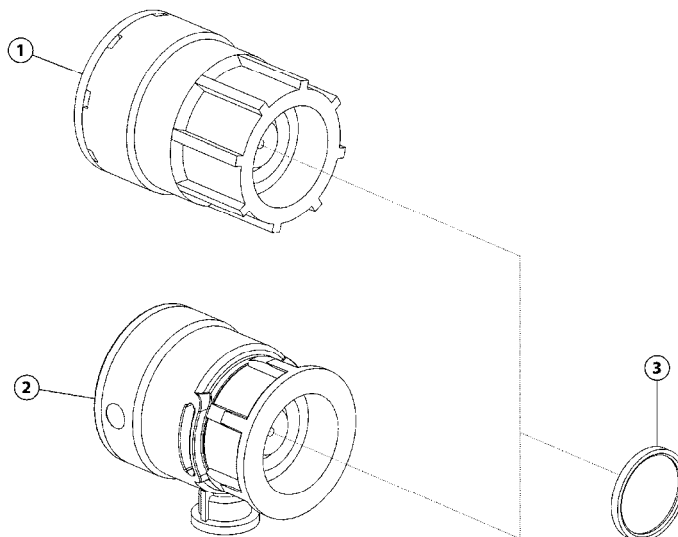


RUBICON - RA OUTER WING
PNEUMATIC SYSTEM
T004-HAU, 03:05:18

Page 1

Date 07.02.2020 8:05

Pos.	parts-n°	order qty	description
1	5904270-9	1	TEE 8MM PUSH
2	5913701	1	TUBE-POLY-8MM - BLACK
3	28061104	1	6mm PUSH IN TUBE TEE
4	5914200-1	1	1/8''X 6MM TUBEFIT
5	5914200	1	1/4''BSP X 6MM TUBE
6	5914201	1	1/4''X 8MM TUBEFIT
7	5913700	1	TUBE-POLY-6MM - BLACK
8	23243900	1	FITTING 1/8 RG 6MM 90*



T900-HAU

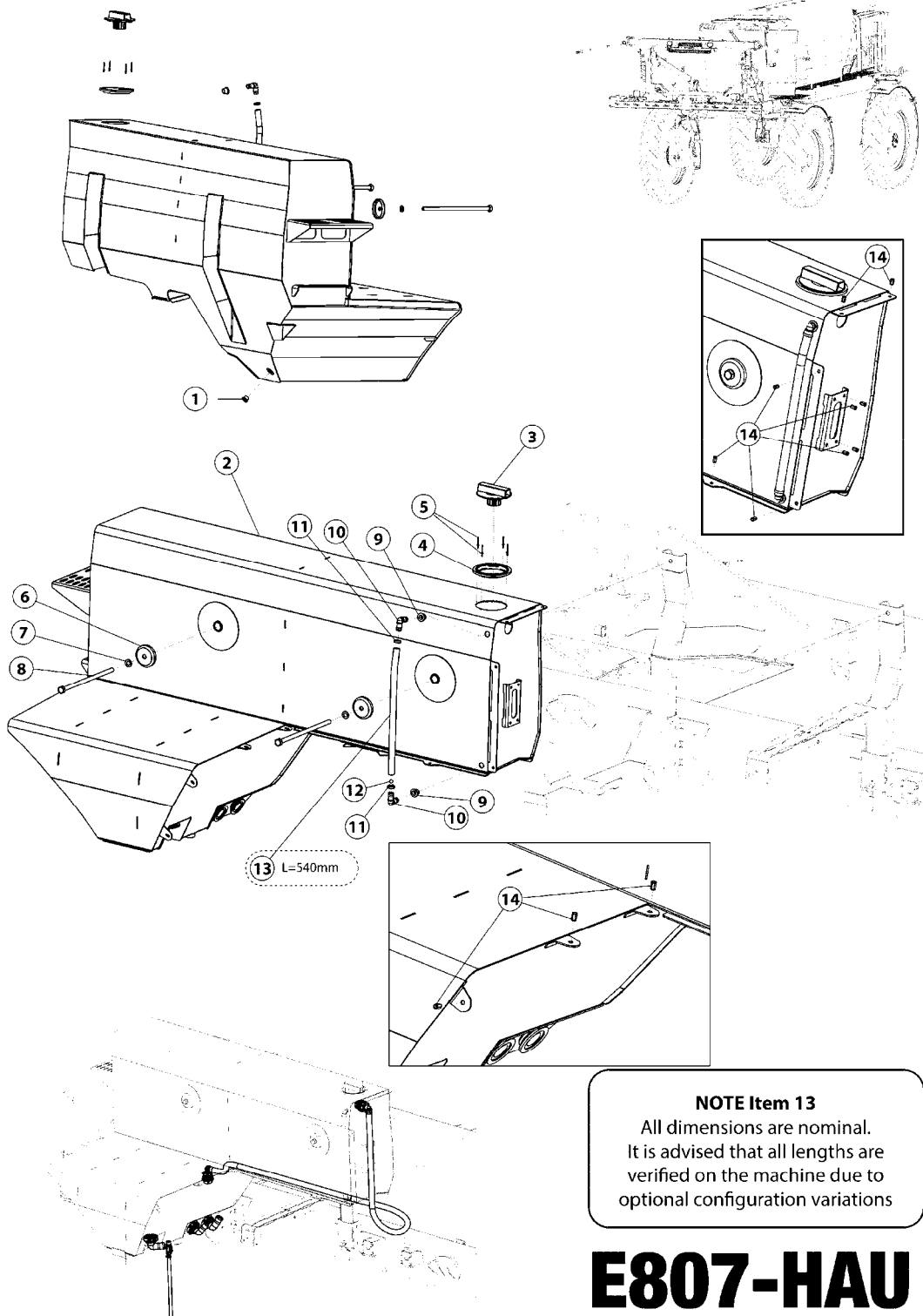


PNEUMATIC NOZZLE ACTUATORS
T900-HAU, 27:02:18

Page 1

Date 07.02.2020 8:05

Pos.	parts-n°	order qty	description
1	288474	1	AIR ACTUATOR + MEMBRANE
2	28060101	1	AIR ACTUATOR PUR
3	24022601	1	RED DIAPHRAGM VULKOKAN



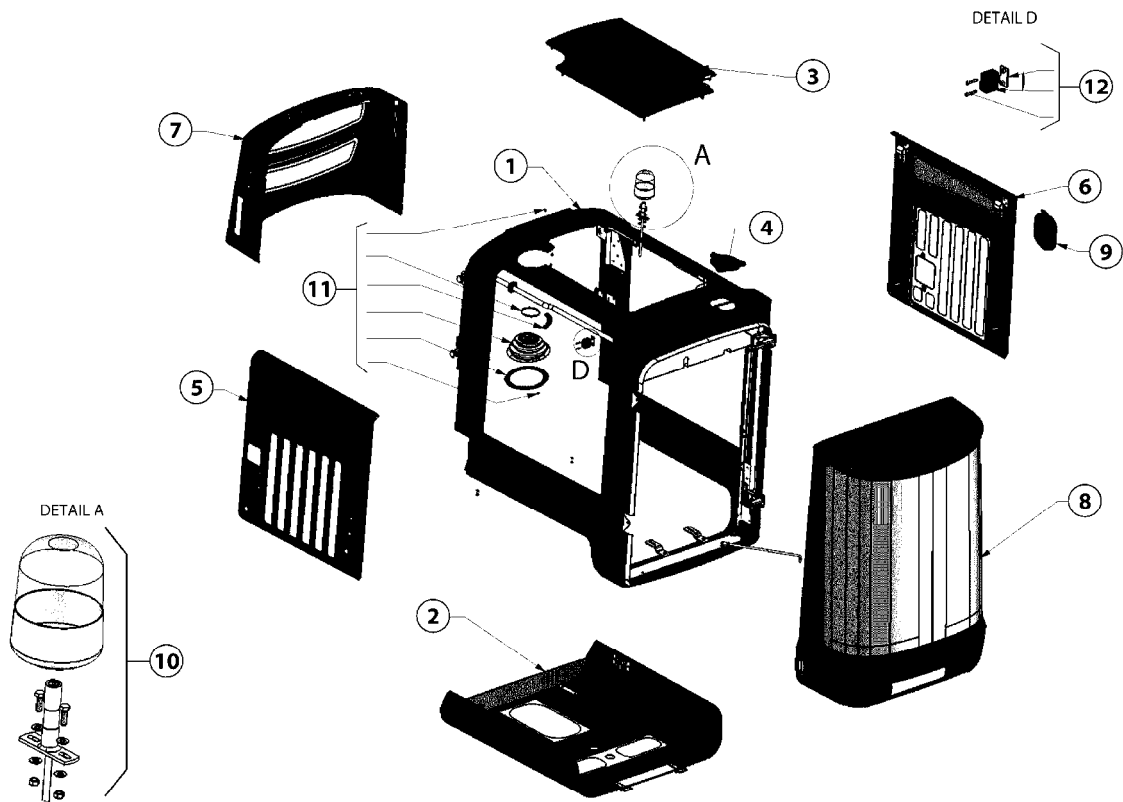


RINSE TANK RUBICON
E807-HAU, 26:11:18

Page 1

Date 07.02.2020 8:05

Pos.	parts-n°	order qty	description
1	MA233630000	1	PLUG G1/2
2	63104704	1	RUBICON Rinse Tank - Spare Part
3	10052203	1	LID VENT ASSY
4	10619803	1	LID HOUSING TREADED F. 6'
5	48001104	1	POPRIVET-SS-STST5-4
6	16401504	1	CUP
7	471128	1	WASHER, M16, Ø30/17.0X 3.0, SS
8	43016004	1	BOLT M16X350 GRADE 8.8
9	24000304	1	TOP HAT GROMMET 19MM
10	33000504	1	ELBOW 19MM - 19MM
11	C24/8	1	NORMA COBRA CLAMPS C24/8
12	334197	1	BALL F. LIQUID LEV. INDICATOR
13	5913738	1	3/4''CLEAR - SIGHT TUBE H/DUTY
14	MA702017015	1	Hexagonal rivet nut M06 inox EP. 4-5.5



E810-HAU

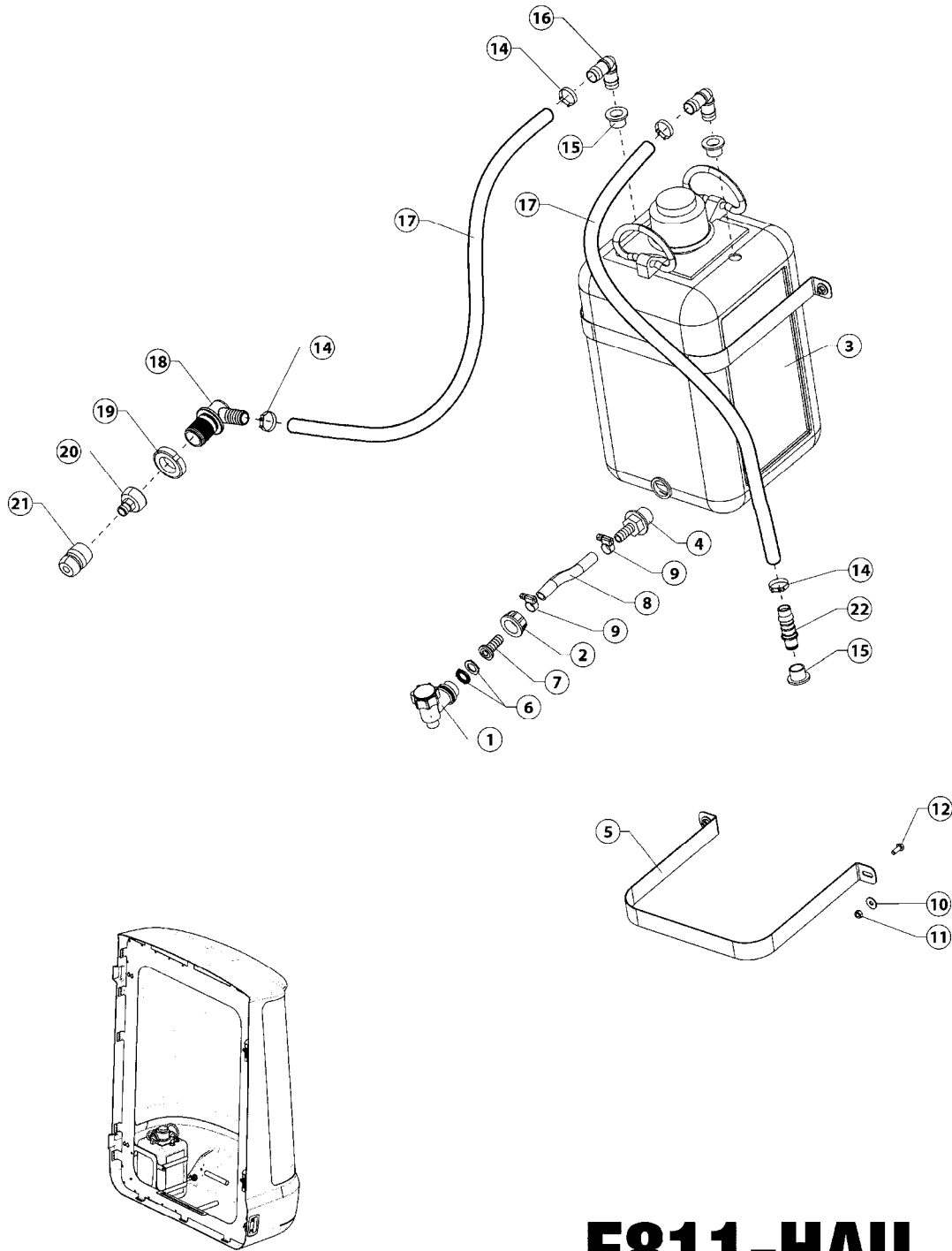


ENGINE HOOD RUBICON
E810-HAU, 27:01:17

Page 1

Date 07.02.2020 8:05

Pos.	parts-n°	order qty	description
1	MA245776000	1	Equipped Framework
2	MA245779000	1	Equipped down cover
3	MA245780000	1	Equipped top cover
4	MA245820000	1	Equipped top cover
5	MA245778000	1	Equipped left cover
6	MA245777000	1	Equipped right cover
7	MA245782000	1	Equipped front cover
8	MA245781000	1	Equipped rear cover
9	MA253092000	1	Trap door
10	MA243781000	1	Engine cover electric material
12	MA242748000	1	Engine Equipment Tier 3A AUSTRALIA



E811-HAU

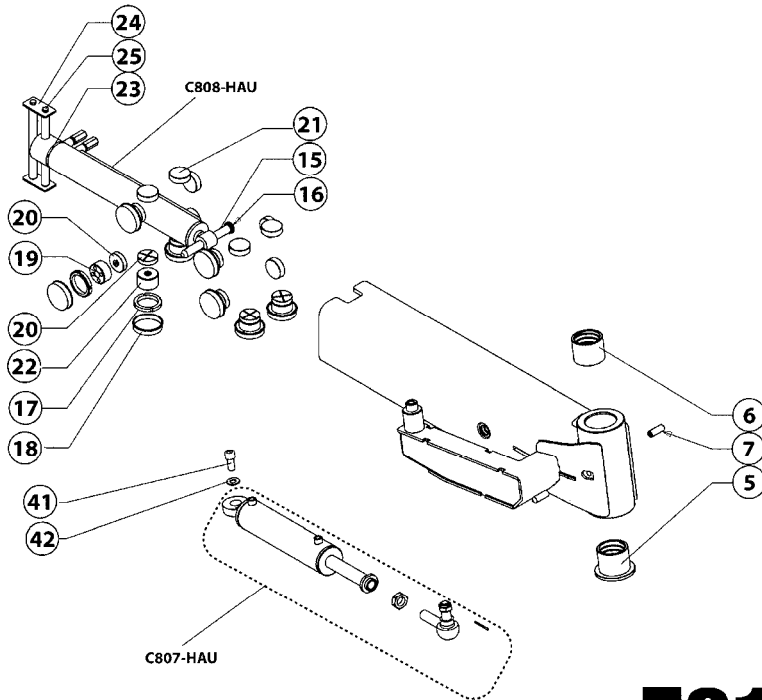
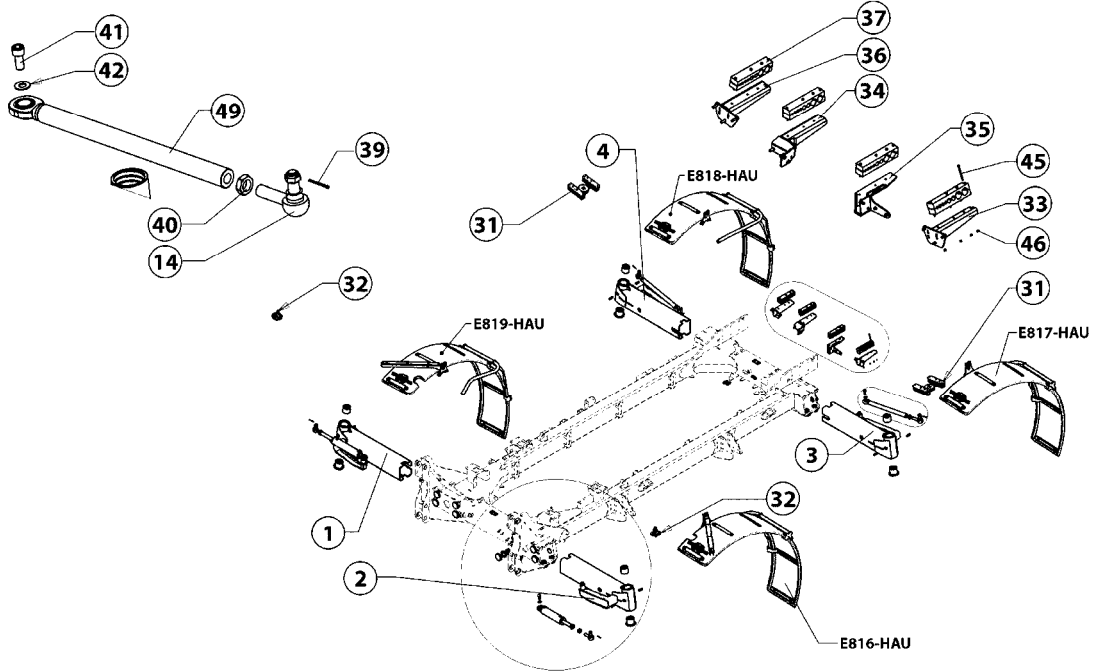


WASH HAND TANK RUBICON
E811-HAU, 23:05:17

Page 1

Date 07.02.2020 8:05

Pos.	parts-n°	order qty	description
1	MA013057000	1	TAP HANDWASH TANK RUBICON
2	MA239074000	1	Nut fitting 3/4"
3	MA238324000	1	HANDWASH TANK 20L
4	MA240591000	1	Fitting straight MALE 3/4"
5	MA245954000	1	HANDWASH TANK STRAP
6	MA237295000	1	Gasket
7	MA718014004	1	13mm Flat Seat Hose Barb for 3/4" Nut
8	MA245957000	1	Pipe Ø12X16
9	MA236620000	1	CLAMP, GEAR, SS, BX8 08/16
10	MA703001131	1	WASHER M6 SS A2
11	MA702008002	1	LOCKNUT M6 A2 985
12	MA701001046	1	BOLT HEX M6X16 A2 933
14	C24/8	1	NORMA COBRA CLAMPS C24/8
15	24000304	1	TOP HAT GROMMET 19MM
16	33000504	1	ELBOW 19MM - 19MM
17	5913738	1	3/4''CLEAR - SIGHT TUBE H/DUTY
18	320644	1	FITT.DK ELB.3/4''HB X 1" BSP
19	320471	1	FITT.DK NUT 1" BSP JAMB
20	28089804	1	GARDEN HOSE QUICK-CONN.12MM BRASS MALE
21	28089904	1	GARDEN HOSE QUICK-CONN.12MM BRASS FEMALE
22	334044	1	FITT.DK HB 3/4' F. 3/4' CAP



E815-HAU

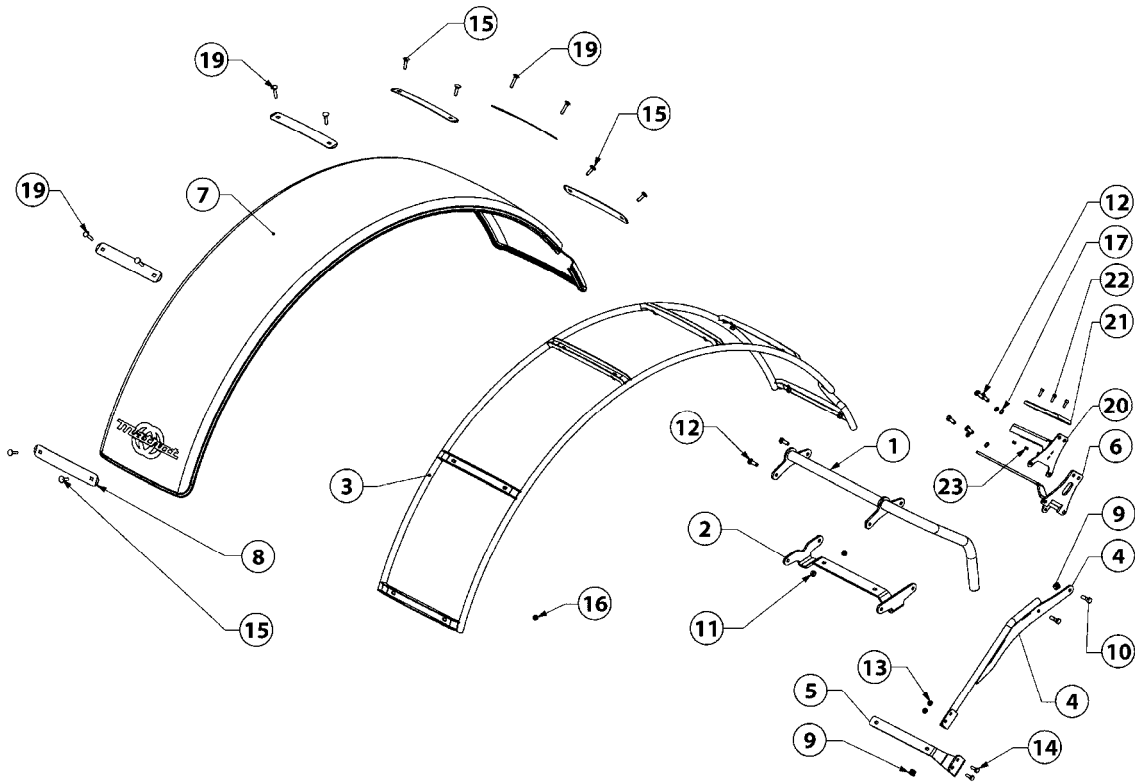


Pos.	parts-n°	order qty	description
1	MA252014000	1	Sliding beam front right
2	MA252015000	1	Sliding beam front left
3	MA246700000	1	Sliding beam rear left
4	MA246701000	1	Sliding beam rear right
5	MA241392000	1	BEARING, PIVOT W/FLANGE
6	MA241393000	1	BEARING, PIVOT
7	MA701006017	1	SET SCREW STHC BT DIN 914
8	MA252006000	1	Equipped right front leg
9	MA252007000	1	Equipped left front leg
10	MA252008000	1	Equipped right rear leg
11	MA252009000	1	Equipped left rear leg
14	MA241381000	1	Steering cylinder Rod
15	MA246699000	1	Cylinder rod axis
16	MA706620025	1	Circlips int 35 steel 472
17	MA70150000	1	LOCKNUT, M65X2
18	MA246693000	1	PROTECTION CPLUG
19	MA246694000	1	SLIDING SCREW
20	MA246695000	1	SLIDING STUD SCREW
21	MA246696000	1	SLIDING STUD
22	MA246697000	1	DOWN SLIDING SCREW
23	MA246698000	1	Slide cylinder axis
24	MA246702000	1	Axis tightening plate
25	MA701001107	1	BOLT HEX M10X16 8.8 ZB 933
26	MA501203800	1	WIDTH ADJ.CYLINDER 40X80 S501
31	MA249000000	1	Assembled flexible bracket
32	MA249104000	1	Front pivot flexible guide
33	MA249003000	1	Left ext flexible bracket
34	MA249004000	1	Right flexible bracket
35	MA249005000	1	Left flexible bracket
36	MA249011000	1	Right ext flexible bracket
37	MA249001000	1	HOSE MOUNTING CLAMP
38	MA164101000	1	Wheel nut
39	MA704002030	1	Pin V Ø5x056 Ac ZB 95
40	MA702003037	1	Nut Hm M30x150 G ac8 ZB DD 439 B
41	MA701003271	1	BOLT ALLEN HEAD M20X45 12.9 DIN 912
42	MA703001079	1	WASHER M20 SS
43	MA701001424	1	Screw H M10x035 8.8 ZB 933
44	MA701001143	1	BOLT H M10X20 8.8 ZB 933
45	MA701003268	1	BOLT CHC M6X75 A2 912
46	MA702008002	1	LOCKNUT M6 A2 985
48	MA710072001	1	BANJO BOLT G 3/8"
49	MA252004000	1	REAR FIXED ROD (NO REAR STEER)



FRONT LEFT MUDGUARD
E816-HAU, 26:04:17

Page 0
Date 07.02.2020 8:05



E816-HAU



FRONT LEFT MUDGUARD
E816-HAU, 26:04:17

Page 1
Date 07.02.2020 8:05

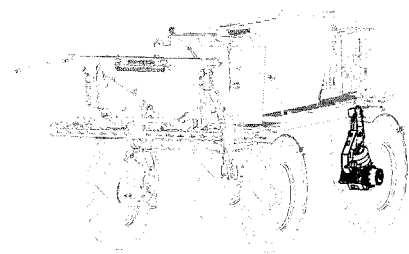
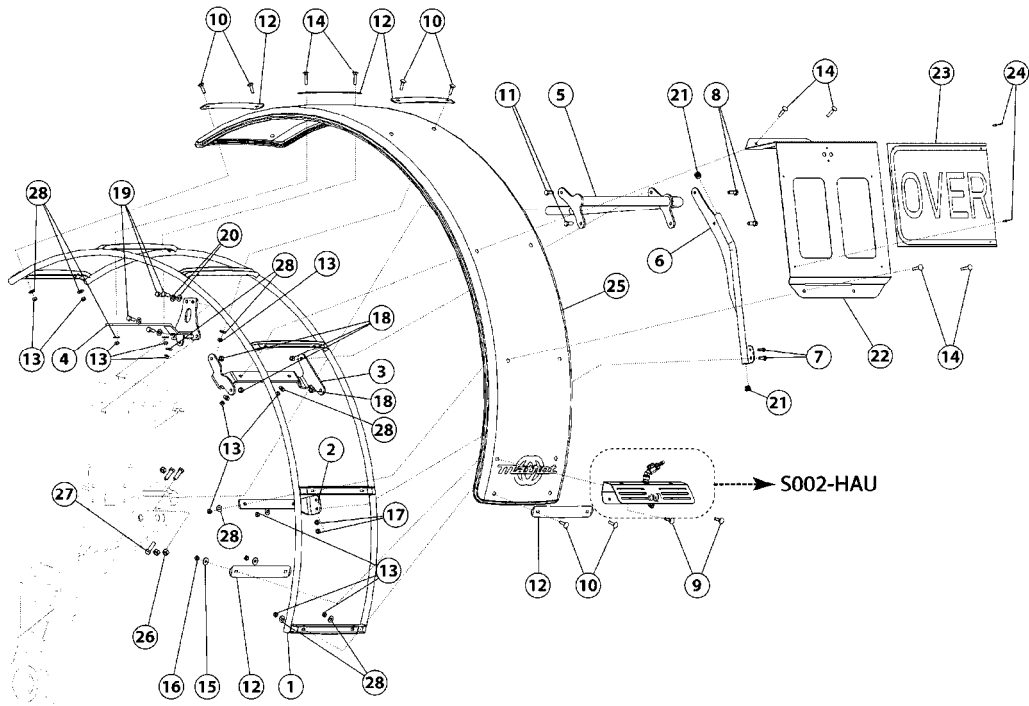
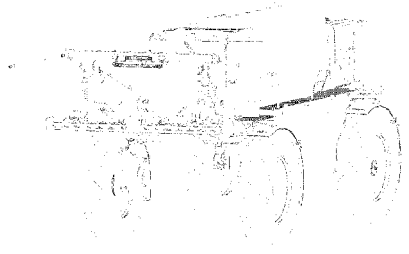
Pos.	parts-n°	order qty	description
1	MA245965000	1	Left front arch
2	MA245971000	1	Bracket
3	MA253020000	1	Mudguard Left front arch
4	MA245969000	1	Left bracing
5	MA246327000	1	Plate
6	MA245682000	1	Mudguard bracket 2/3
7	MA253022000	1	MUDGUARD FRONT LEFT
8	MA246304000	1	Backing plate
9	MA246324000	1	Cap GL 25 1-1
10	MA701001439	1	Screw H M12x040 8.8 ZB 931
11	MA702008021	1	LOCKNUT M12 AC8 ZB 985
12	MA701001440	1	BOLT H M12X35 8.8 ZB 931
13	MA702008007	1	AUTO LOCKNUT M10 AC8 ZB 985
14	MA701001146	1	BOLT H M10X30 8.8 ZB 931
15	MA701017022	1	Bolt TBCC M10x040 A2 603
16	MA702008019	1	AUTO LOCKNUT M10 A2 985
17	MA703002009	1	Washer ext AZ12 ac 27624
19	MA701017023	1	Bolt TBCC M10x050 A2 603
20	MA249054000	1	Left front hose bracket
21	MA249056000	1	Hose nylon bracket
22	MA701003093	1	BOLT CHC M8X25 8.8 ZB 912
23	MA702008001	1	AUTO LOCKNUT M8 AC8 ZB 985



REAR LEFT MUDGUARD
E817-HAU, 23:02:18

Page 0

Date 07.02.2020 8:05



E817-HAU



REAR LEFT MUDGUARD
E817-HAU, 23:02:18

Page 1
Date 07.02.2020 8:05

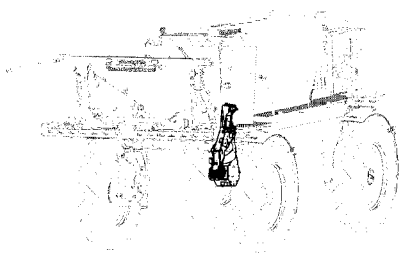
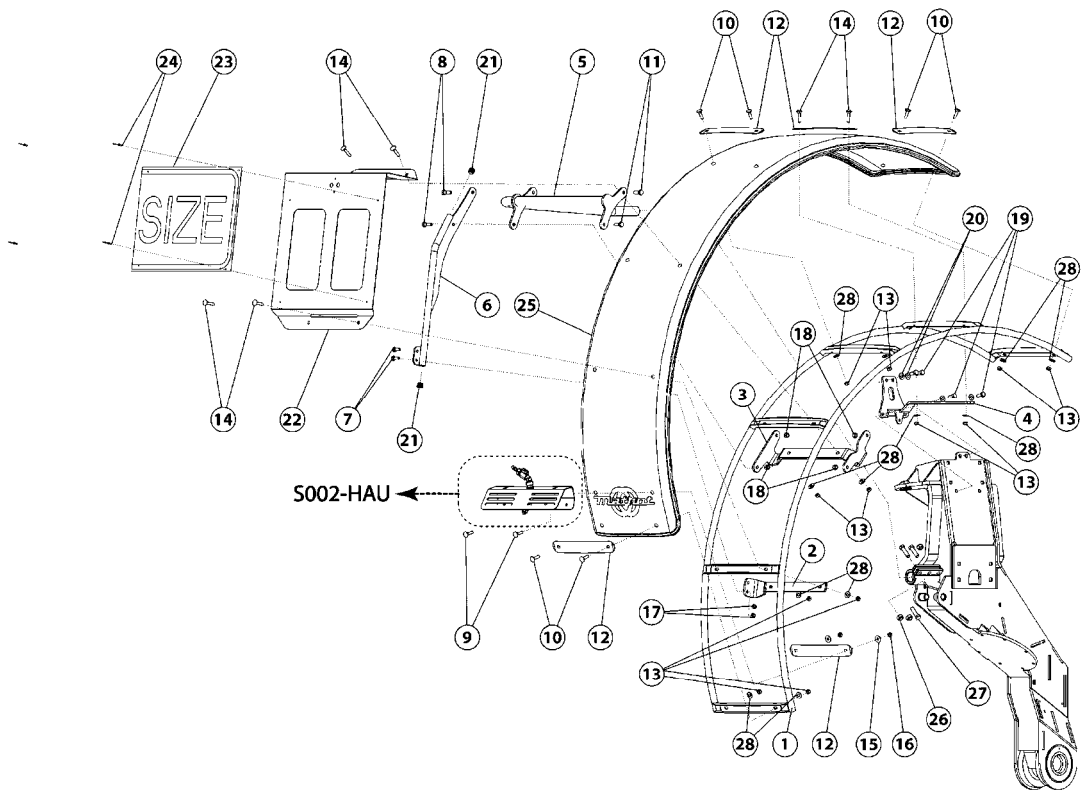
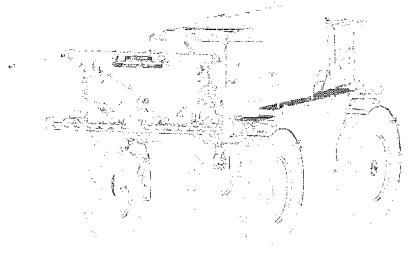
Pos.	parts-n°	order qty	description
1	MA245972000	1	Mudguard arch
2	MA246327000	1	Plate
3	MA245971000	1	Bracket
4	MA245682000	1	Mudguard bracket 2/3
5	MA245966000	1	Left rear arch
6	MA245969000	1	Left bracing
7	MA701001146	1	BOLT H M10X30 8.8 ZB 931
8	MA701001439	1	Screw H M12x040 8.8 ZB 931
9	44074400	1	BOLT CARRIAGE M10x40 SS
10	MA701017022	1	Bolt TBCC M10x040 A2 603
11	MA701001440	1	BOLT H M12X35 8.8 ZB 931
12	MA246304000	1	Backing plate
13	MA702008019	1	AUTO LOCKNUT M10 A2 985
14	MA701017023	1	Bolt TBCC M10x050 A2 603
15	471140	1	WASHER D30/D10.5X2.5 STAINLESS
16	460423	1	NUT HEX M10X1.50 LOCK DIN985A2 SS
17	MA702008007	1	AUTO LOCKNUT M10 AC8 ZB 985
18	MA702008021	1	LOCKNUT M12 AC8 ZB 985
19	MA701001166	1	BOLT HEX M12X30 8.8 ZB 933
20	MA703001111	1	WASHER M12 SS
21	MA246324000	1	Cap GL 25 1-1
22	16384104	1	PLATE 2 X
23	28001104	1	OVERSIZE SIGN SPLIT FOR TRAIL
24	480814	1	RIVET 4.8 x 17.2/D9.5SS
25	MA245238000	1	MUDGUARD
26	MA702008026	1	NUT HEX M14 LOCK A2 985
27	MA701001400	1	BOLT HEX M14X50 A2 933
28	MA703001039	1	WASHER M10 SS



REAR RIGHT MUDGUARD
E818-HAU, 23:02:18

Page 0

Date 07.02.2020 8:05



E818-HAU



REAR RIGHT MUDGUARD
E818-HAU, 23:02:18

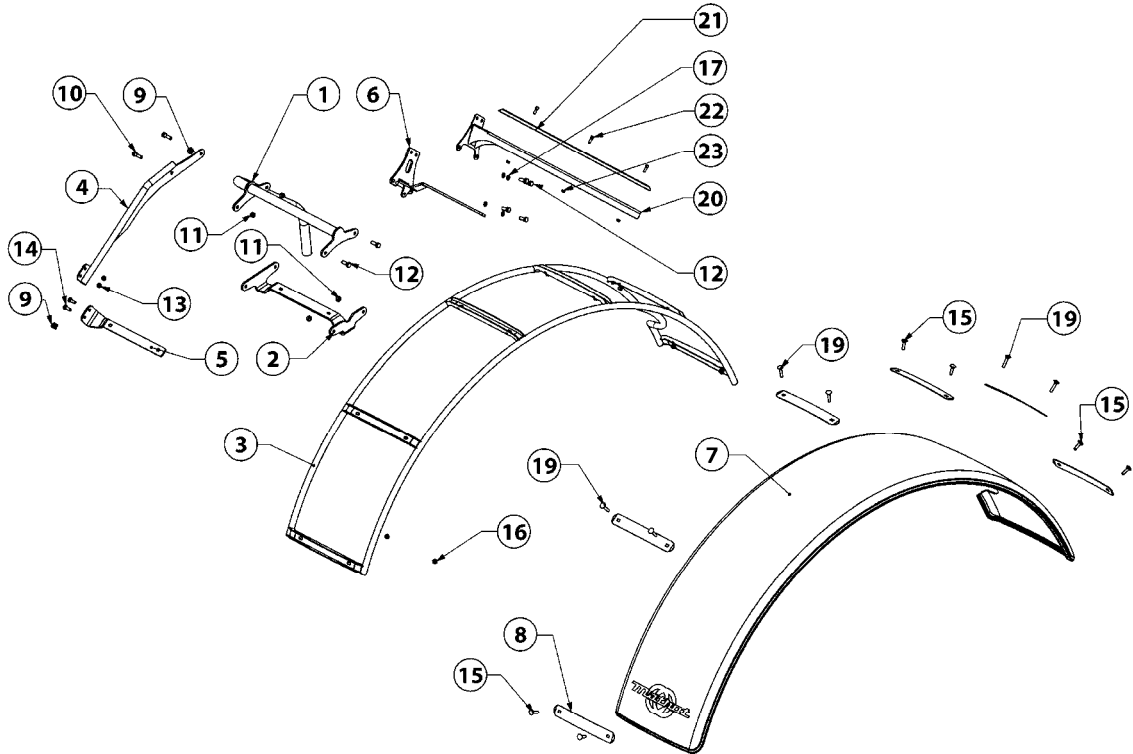
Page 1

Date 07.02.2020 8:05

Pos.	parts-n°	order qty	description
1	MA245972000	1	Mudguard arch
2	MA246327000	1	Plate
3	MA245971000	1	Bracket
4	MA245682000	1	Mudguard bracket 2/3
5	MA245968000	1	Right rear arch
6	MA245970000	1	Right bracing
7	MA701001146	1	BOLT H M10X30 8.8 ZB 931
8	MA701001439	1	Screw H M12x040 8.8 ZB 931
9	44074400	1	BOLT CARRIAGE M10x40 SS
10	MA701017022	1	Bolt TBCC M10x040 A2 603
11	MA701001440	1	BOLT H M12X35 8.8 ZB 931
12	MA246304000	1	Backing plate
13	MA702008019	1	AUTO LOCKNUT M10 A2 985
14	MA701017023	1	Bolt TBCC M10x050 A2 603
15	471140	1	WASHER D30/D10.5X2.5 STAINLESS
16	460423	1	NUT HEX M10X1.50 LOCK DIN985A2 SS
17	MA702008007	1	AUTO LOCKNUT M10 AC8 ZB 985
18	MA702008021	1	LOCKNUT M12 AC8 ZB 985
19	MA701001166	1	BOLT HEX M12X30 8.8 ZB 933
20	MA703001111	1	WASHER M12 SS
21	MA246324000	1	Cap GL 25 1-1
22	16384004	1	PLATE 2 X
23	28001104	1	OVERSIZE SIGN SPLIT FOR TRAIL
24	480814	1	RIVET 4.8 x 17.2/D9.5SS
25	MA245238000	1	MUDGUARD
26	MA702008026	1	NUT HEX M14 LOCK A2 985
27	MA701001400	1	BOLT HEX M14X50 A2 933
28	MA703001039	1	WASHER M10 SS



FRONT RIGHT MUDGUARD
E819-HAU, 26:04:17



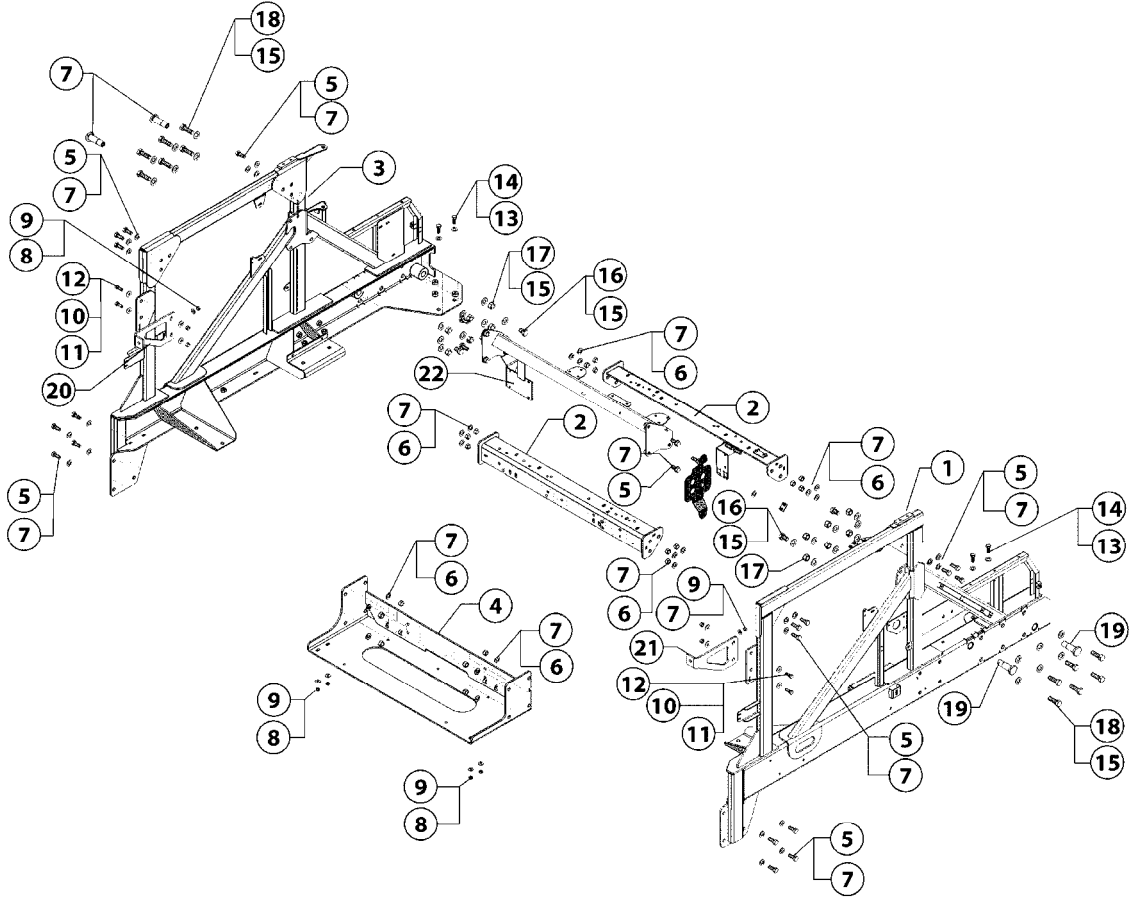
E819-HAU



FRONT RIGHT MUDGUARD
E819-HAU, 26:04:17

Page 1
Date 07.02.2020 8:05

Pos.	parts-n°	order qty	description
1	MA245967000	1	Right front arch
2	MA245971000	1	Bracket
3	MA253019000	1	Mudguard Right front arch
4	MA245970000	1	Right bracing
5	MA246327000	1	Plate
6	MA245682000	1	Mudguard bracket 2/3
7	MA253021000	1	MUDGUARD FRONT RIGHT
8	MA246304000	1	Backing plate
9	MA246324000	1	Cap GL 25 1-1
10	MA701001439	1	Screw H M12x040 8.8 ZB 931
11	MA702008021	1	LOCKNUT M12 AC8 ZB 985
12	MA701001440	1	BOLT H M12X35 8.8 ZB 931
13	MA702008007	1	AUTO LOCKNUT M10 AC8 ZB 985
14	MA701001146	1	BOLT H M10X30 8.8 ZB 931
15	MA701017022	1	Bolt TBCC M10x040 A2 603
16	MA702008019	1	AUTO LOCKNUT M10 A2 985
17	MA703002009	1	Washer ext AZ12 ac 27624
19	MA701017023	1	Bolt TBCC M10x050 A2 603
20	MA249055000	1	Right front hose bracket
21	MA249056000	1	Hose nylon bracket
22	MA701003093	1	BOLT CHC M8X25 8.8 ZB 912
23	MA702008001	1	AUTO LOCKNUT M8 AC8 ZB 985



E820-HAU

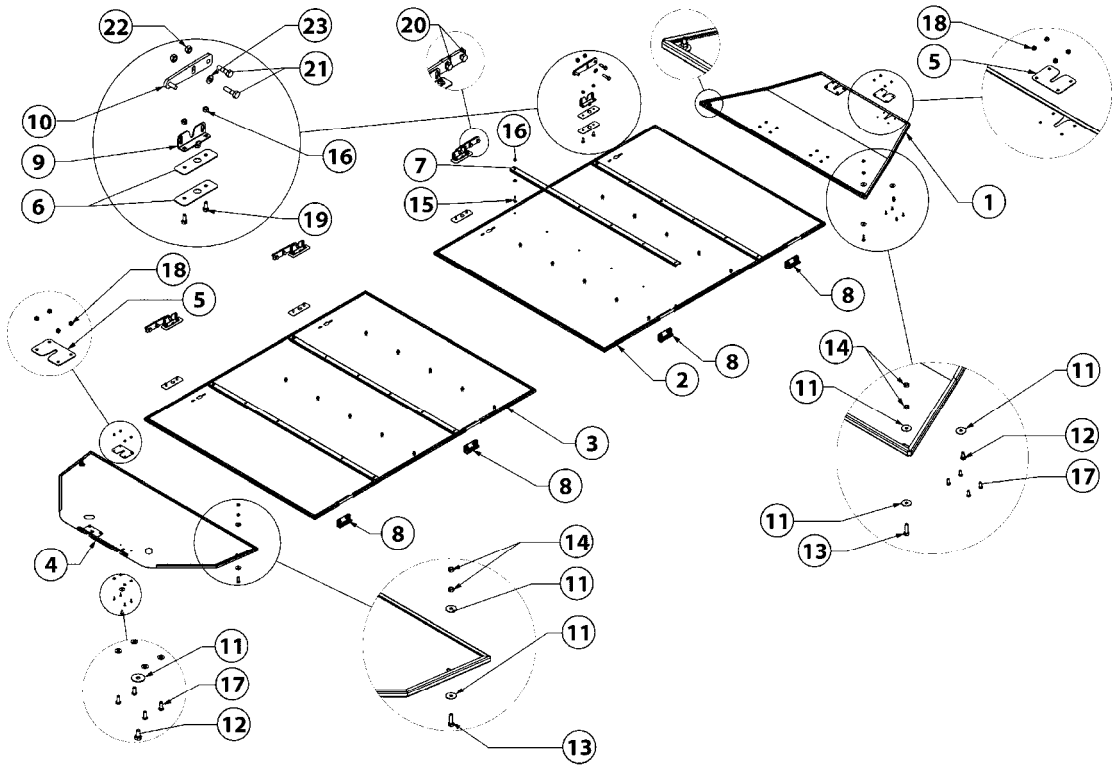


ENGINE FRAME RUBICON
E820-HAU, 26:04:17

Page 1

Date 07.02.2020 8:05

Pos.	parts-n°	order qty	description
1	MA246471000	1	Right side lateral chassis
2	MA246481000	1	Gauge brace
3	MA246480000	1	Left side lateral chassis
4	MA246482000	1	Cooler bracket
5	MA701001231	1	BOLT M16X40 8.8 ZB 933
6	MA702008028	1	AUTO LOCKNUT M16 AC8 ZB 985
7	MA703001069	1	WASHER M16 STEEL ZB
8	MA703001030	1	WASHER L10 STEEL ZB
9	MA702008007	1	AUTO LOCKNUT M10 AC8 ZB 985
10	MA703001031	1	Washer L12 steel ZB
11	MA702008021	1	LOCKNUT M12 AC8 ZB 985
12	MA701001440	1	BOLT H M12X35 8.8 ZB 931
13	MA703001064	1	Washer M14 steel ZB
14	MA701001553	1	BOLT HEX M14X35 A2 931
15	MA703001025	1	WASHER M20 STEEL ZB
16	MA701001532	1	BOLT HEX M20X30 8.8 ZB 933
17	MA702008036	1	Auto locknut M20
18	MA701001508	1	BOLT HEX M20X60 8.8 ZB 933
19	MA246483000	1	Spindle
20	MA246852000	1	Left cooling link bracket
21	MA246853000	1	Right cooling link bracket
22	MA246975000	1	Hydraulics filters bracket beam



E825-HAU

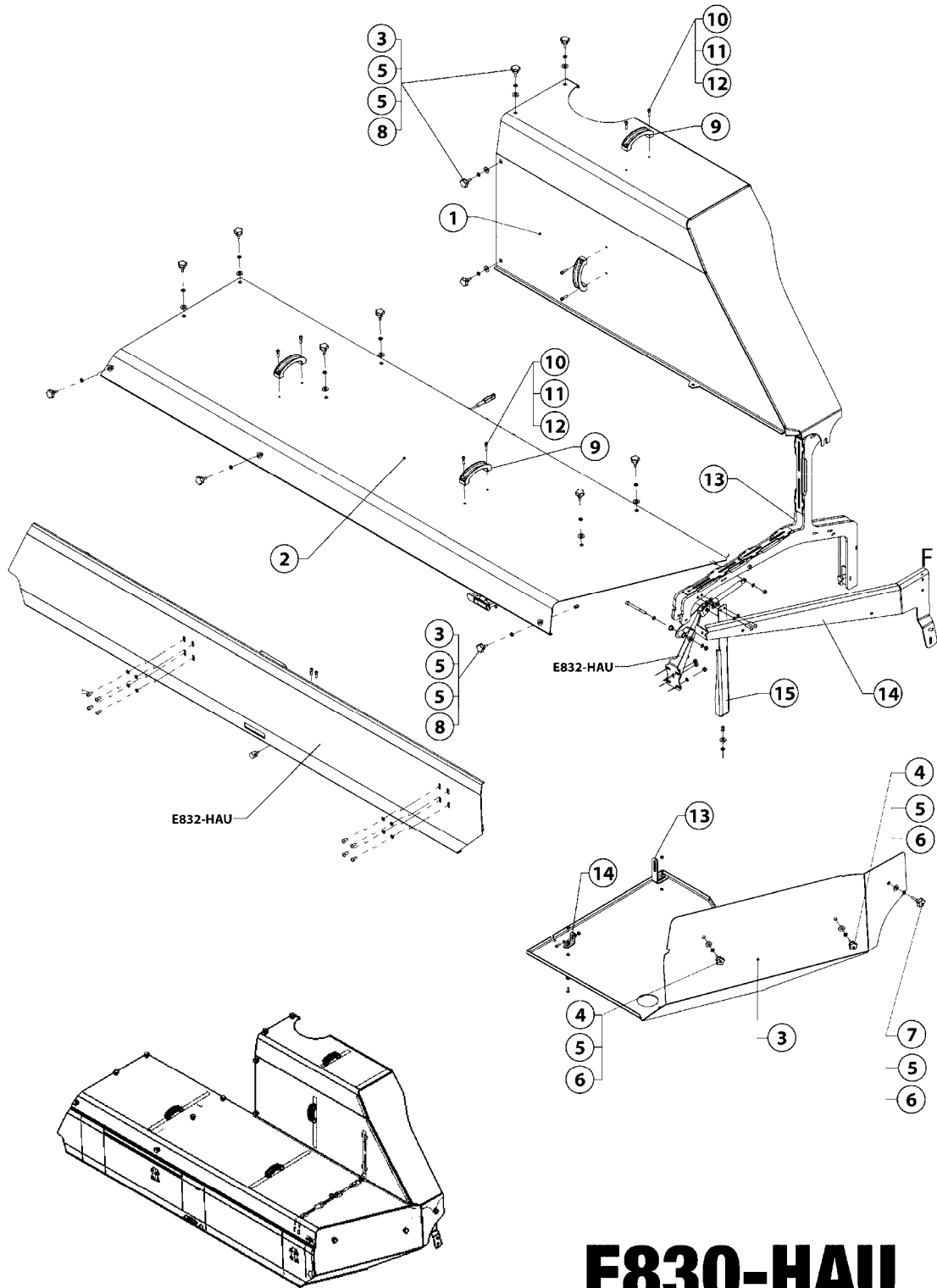


CHASSIS BOTTOM PLATES RUBICON
E825-HAU, 26:04:17

Page 1

Date 07.02.2020 8:05

Pos.	parts-n°	order qty	description
1	MA245898000	1	Front down cover
2	MA245899000	1	Intermediate front down cover
3	MA245900000	1	Intermediate rear down cover
4	MA245901000	1	Rear down cover
5	MA245907000	1	Reinforcement plate
6	MA245906000	1	Lock fixing plate
7	MA245905000	1	Beam
8	MA245909000	1	Hinge
9	MA47233000	1	LOCKER
10	MA245908000	1	Catch plate toggle latche
11	MA703001110	1	Washer LL08 inox
12	MA701001067	1	BOLT M8X16 A2 933
13	MA701001081	1	BOLT HEX M8X30 A2 933
14	MA702002019	1	NUT HEX M8 SS A2
15	MA701021004	1	BOLT TBHC M8X30 A2 7380
16	MA702008016	1	LOCKNUT M8 A2 985
17	MA701021001	1	BOLT TBHC M6X16 A2 7380
18	MA702008002	1	LOCKNUT M6 A2 985
19	MA701001071	1	BOLT HEX M8X20 A2 933
20	MA701001146	1	BOLT H M10X30 8.8 ZB 931
21	MA701001150	1	BOLT H M10x40 8.8 ZB 931
22	MA702008007	1	AUTO LOCKNUT M10 AC8 ZB 985
23	MA703001059	1	WASHERS M10 STEEL ZB
24	MA703001048	1	WASHER M6 SS
25	MA703001053	1	WASHER M8 SS



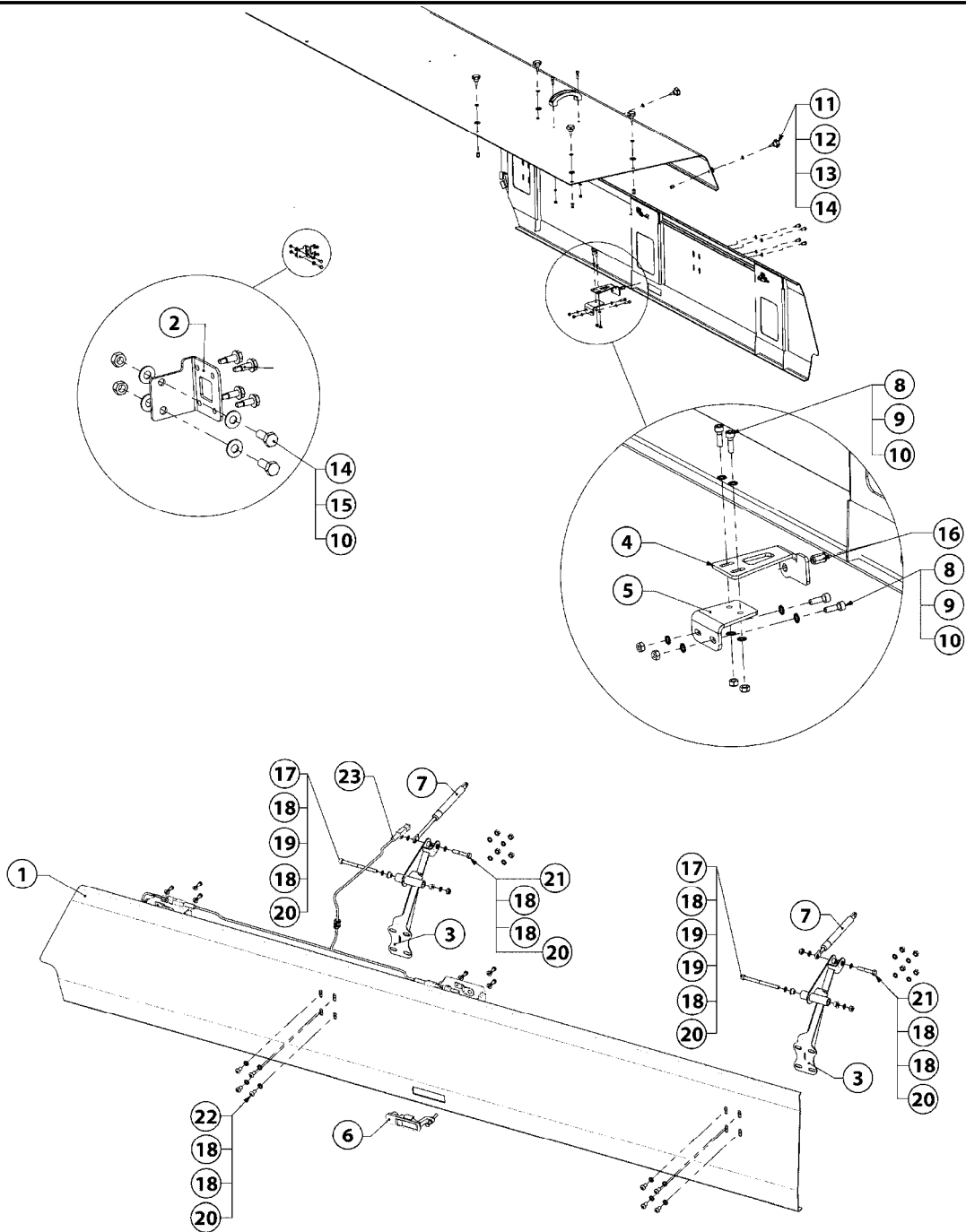


FLUID HOUSING RIGHT RUBICON
E830-HAU, 26:04:17

Page 1

Date 07.02.2020 8:05

Pos.	parts-n°	order qty	description
1	MA253125000	1	FLUID HOUSING UPPER DOOR
2	MA253122000	1	FLUID HOUSING LOWER DOOR
3	MA253130000	1	FLUID HOUSING FRONT COVER
4	MA232306000	1	PLASTIC HANDLE BOLT D32 M6X18
5	MA703007003	1	RUBBER WASHER DIN6796 A4 6
6	MA703001039	1	WASHER M10 SS
7	MA232575000	1	BUTTON HEAD BOLT D32 M6X30
8	MA702017014	1	RIVET NUT M6
9	MA147085000	1	HANDLE
10	MA701003065	1	BOLT CHC M6X25 ALLEN A2 912
11	MA703003007	1	Washer int JZ06 A2 27625
12	MA702008002	1	LOCKNUT M6 A2 985
13	MA253147000	1	FLUID HOUSING COVER SUPPORT
15	MA253148000	1	SHEET METAL SUPPORT 3MM



E832-HAU

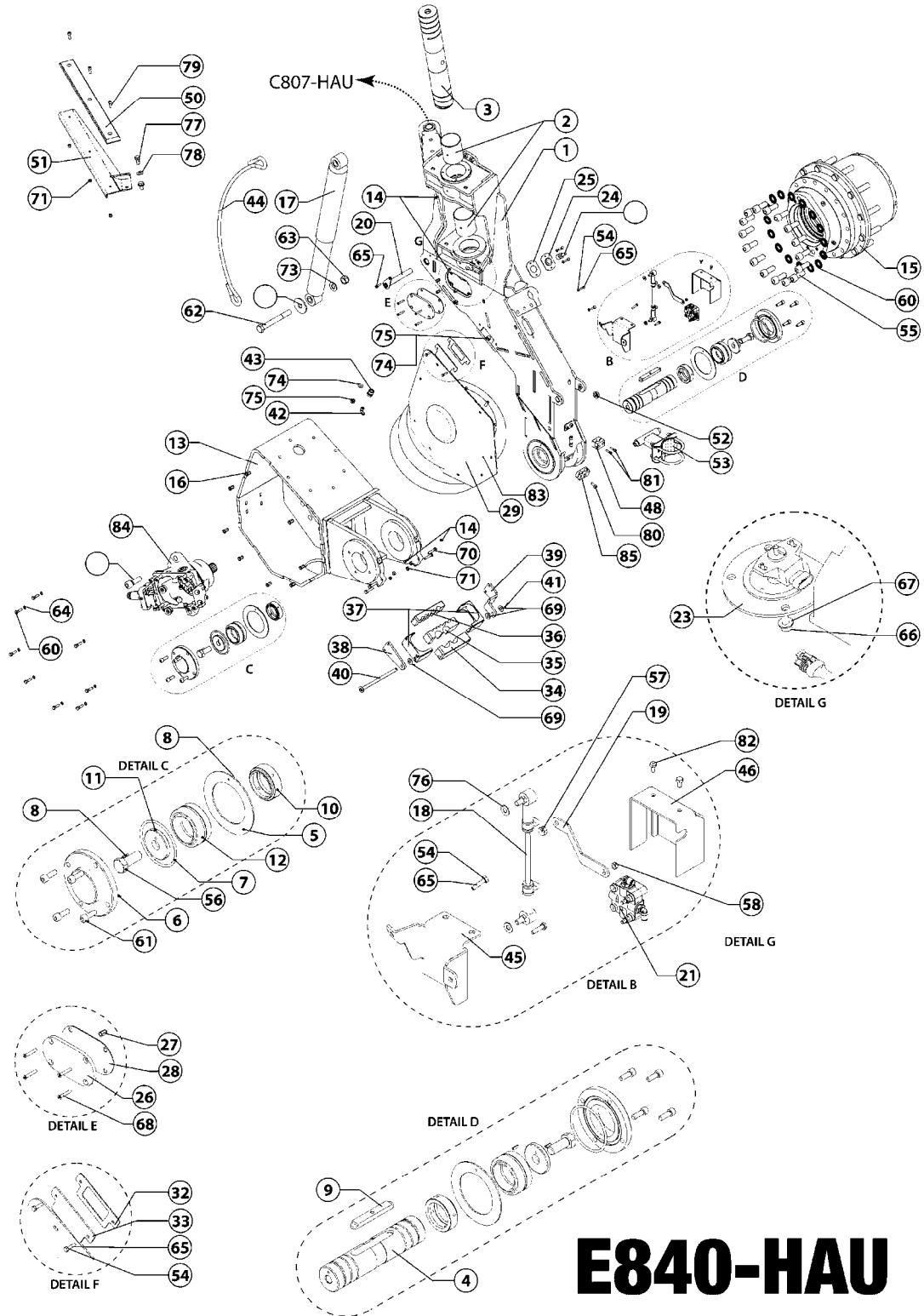


FLUID HOUSING RIGHT - RUBICON
E832-HAU, 26:04:17

Page 1

Date 07.02.2020 8:05

Pos.	parts-n°	order qty	description
1	MA253131000	1	FLUID HOUSING LOWER COVER
2	MA247919009	1	FOLDED PLATE
3	MA245931000	1	HINGE F.FLUID DOOR
4	MA245923000	1	ANCHOR F.FLUID DOOR BRKT.
5	MA245930000	1	FLUID DOOR MOUNT BRACKET
6	MA523006001	1	LOCK FLUID COVER RUBICON
7	MA501300400	1	Gas cylinder
8	MA701003061	1	SCREW SHC M6X20 A2 912
9	MA703003007	1	Washer int JZ06 A2 27625
10	MA702008002	1	LOCKNUT M6 A2 985
11	MA232306000	1	PLASTIC HANDLE BOLT D32 M6X18
12	MA703007003	1	RUBBER WASHER DIN6796 A4 6
13	MA703001039	1	WASHER M10 SS
14	MA702017014	1	RIVET NUT M6
15	MA703001048	1	WASHER M6 SS
16	MA702017015	1	Hexagonal rivet nut M06 inox EP. 4-5.5
17	MA701003104	1	BOLT CHC M8X110 A2 912
18	MA703003010	1	WASHER INT JZ08 A2 27625
19	MA524001010	1	SPACER DIA 8/14 LG10 NYLON
20	MA702008016	1	LOCKNUT M8 A2 985
21	MA701001089	1	BOLT HEX M8X50 A2 931
22	MA701021002	1	SCREW TBHC M8X16 A2 7380
23	MA750008040	1	PLUG F.VALVE LIGHTS





DROP LEG FRONT RIGHT - RUBICON
E840-HAU, 22:11:17

Page

1

Date

07.02.2020

8:05

Pos.	parts-n°	order qty	description
1	MA252010000	1	Welded arm front right
2	MA246379000	1	Bearing
3	MA246781000	1	Pivot axis
4	MA246378000	1	Lever pivot axis
5	MA246381000	1	Bearing washer
6	MA246382000	1	Cap
7	MA230275000	1	O-ring 100x5 nbr70sh
8	MA704004015	1	PIN EL Ø5x015 Ac 1481
9	MA246383000	1	Key 18x11 LG 124
10	MA246384000	1	Ball bearing
11	MA246385000	1	Tightening washer
12	MA119017000	1	Radial spherical plain bearings GE60-D
13	MA246679000	1	Left rear/right front leg lever
14	MA709001008	1	Grease fitting M8x125
15	MA241650000	1	WHEEL DRIVE, BONFIGLIOLI
16	MA702017005	1	Blind rivet Nut M8
17	MA536001100	1	DAMPER, STROKE 381MM
18	MA246794000	1	Paralift link
19	MA246793000	1	Paralift bending plate
20	MA246782000	1	Dumper axis
21	MA248101000	1	Equipped leveling valve
23	MA246796000	1	Elobau sensor centering
24	MA246787000	1	Steering sensor electric shelth cleara
25	MA246790000	1	Electric shelth claerance seal
26	MA246780000	1	Steering sensor trap door
27	MA702017004	1	Rivet nut M6
28	MA246785000	1	Steering sensor trap door seal
29	MA508023002	1	AIRBAG, 16"x3, WITH INTERNAL STOP
32	MA246786000	1	Nut trap door seal
33	MA246784000	1	Nut trap door
34	MA239853000	1	Leg Down hydraulic hoses 1/3
35	MA239854000	1	Leg Down hydraulic hoses 2/3
36	MA239855000	1	Leg Down hydraulic hoses 3/3
37	MA239720000	1	Block nylon bended plate
38	MA239717000	1	Hose guide bracket
39	MA239718000	1	Hose guide bended plate
40	MA239719000	1	Flange shaft
41	MA704002010	1	PIN V Ø3,2x025 Ac ZB 93
42	MA238817000	1	Elbow Pneumatic fitting
43	MA710007001	1	UMFA 15.21 x JE 8.13
44	MA249074000	1	Stroke end rope
45	MA253010000	1	Right leveling valve bracket
46	MA253012000	1	Valve Right protection cover
48	MA161284000	1	Clamp
50	MA249116000	1	Nylon flexible bracket
51	MA249114000	1	Short right front flexible bracket
52	MA512004015	1	Flanged wrapped Bushing TU Ø20X23 LG
53	MA252019000	1	Equipped leg down flexible guide
54	MA703002006	1	Washers ext AZ06 ac ZB 27624
55	MA701003280	1	Screw CHc M20x050 10.9 ZB DIN 912
56	MA701001287	1	Screw H M20x050 8.8 933
57	MA702008016	1	LOCKNUT M8 A2 985
58	MA702008011	1	AUTO LOCKNUT M6 AC8 ZB 986
60	MA703005009	1	WASHER, SERRATED SAFETY LOCK, M20
61	MA701003110	1	BOLT CHC M10X30 ALLEN 8.8 DIN 913
62	MA701001316	1	Screw h m20x170 8.8 ZB 931
63	MA702008036	1	Auto locknut M20
64	MA703002024	1	Washer ext AZ08 ac ZB 27625
65	MA701001054	1	Screw H M06x025 8.8 ZB 933
66	MA701003196	1	Screw CHc M08x020 EF 8.8 912
67	MA703001054	1	WASHER M8 STEEL ZB



DROP LEG FRONT RIGHT - RUBICON
E840-HAU, 22:11:17

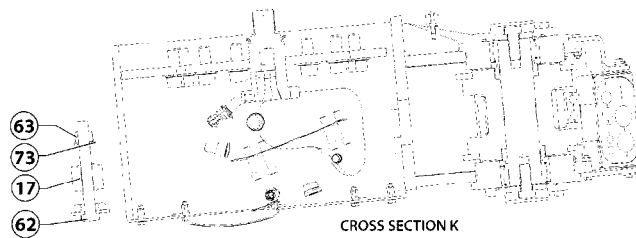
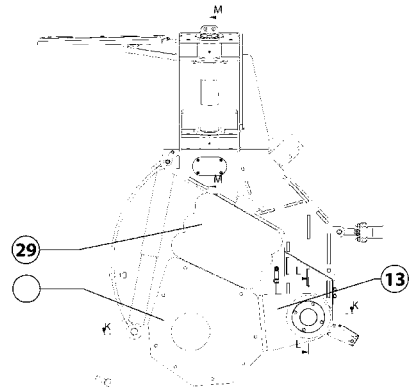
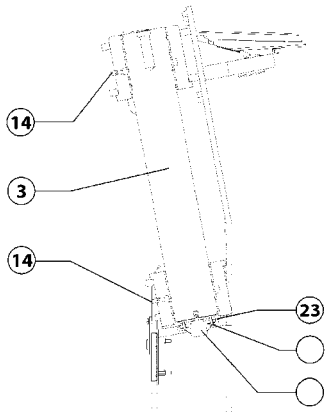
Page 2

Date 07.02.2020 8:05

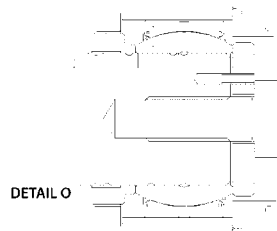
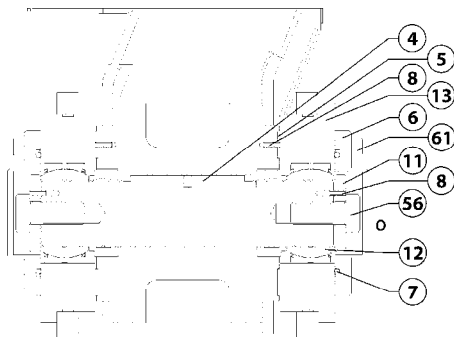
Pos.	parts-n°	order qty	description
68	MA701004061	1	Screw FHC M06x35 10.9 ZB 7991
69	MA703001111	1	WASHER M12 SS
70	MA701001085	1	Screw H M08x040 8.8 ZB 933
71	MA702008001	1	AUTO LOCKNUT M8 AC8 ZB 985
73	MA703001079	1	WASHER M20 SS
74	MA703001039	1	WASHER M10 SS
75	MA702008019	1	AUTO LOCKNUT M10 A2 985
76	MA703001053	1	WASHER M8 SS
77	MA701001163	1	Screw H M12x025 8.8 ZB 933
78	MA703001023	1	WASHER M12 STEEL ZB
79	MA701003093	1	BOLT CHC M8X25 8.8 ZB 912
80	MA701003090	1	BOLT CHC M8x20 ALLEN A2
81	MA701003064	1	Screw CHc M06x025 8.8 ZB 912
82	MA701001043	1	Screw H M06x012 8.8 ZB 933
83	MA245676000	1	MA245676000
84	MA510122006	1	MOTOR H1 110 CC
85	MA715008011	1	MOUNTING CLAMP HYDAC 2XØ15 HRZ 2 KP 15



CROSS SECTION M



CROSS SECTION K



DETAIL O

E841-HAU

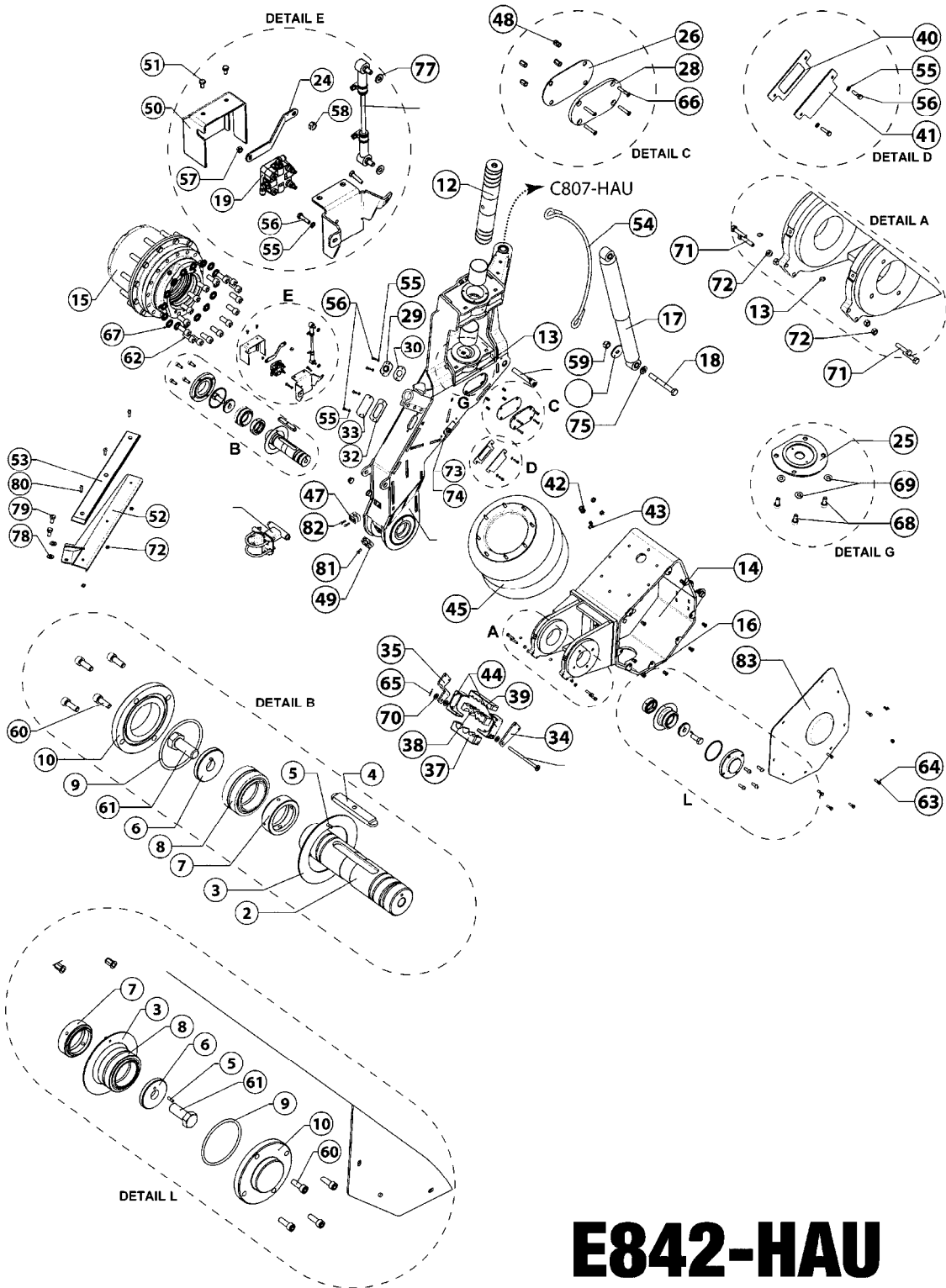


DROP LEG FRONT RIGHT - RUBICON
E841-HAU, 26:04:17

Page 1

Date 07.02.2020 8:05

Pos.	parts-n°	order qty	description
3	MA246781000	1	Pivot axis
5	MA246381000	1	Bearing washer
6	MA246382000	1	Cap
7	MA230275000	1	O-ring 100x5 nbr70sh
8	MA704004015	1	PIN EL Ø5x015 Ac 1481
9	MA246383000	1	Key 18x11 LG 124
11	MA246385000	1	Tightening washer
12	MA119017000	1	Radial spherical plain bearings GE60-D
13	MA246679000	1	Left rear/right front leg lever
14	MA709001008	1	Grease fitting M8x125
19	MA536001100	1	DAMPER, STROKE 381MM
23	MA246796000	1	Elobau sensor centering
29	MA508023002	1	AIRBAG, 16"x3, WITH INTERNAL STOP
56	MA701001287	1	Screw H M20x050 8.8 933
61	MA701003110	1	BOLT CHC M10X30 ALLEN 8.8 DIN 913
62	MA701001316	1	Screw h m20x170 8.8 ZB 931
63	MA702008036	1	Auto locknut M20
73	MA703001079	1	WASHER M20 SS



E842-HAU



Pos.	parts-n°	order qty	description
2	MA246378000	1	Lever pivot axis
3	MA246381000	1	Bearing washer
4	MA246383000	1	Key 18x11 LG 124
5	MA704004015	1	PIN EL Ø5x015 Ac 1481
6	MA246385000	1	Tightening washer
7	MA246384000	1	Ball bearing
8	MA119017000	1	Radial spherical plain bearings GE60-D
9	MA230275000	1	O-ring 100x5 nbr70sh
10	MA246382000	1	Cap
12	MA246781000	1	Pivot axis
13	MA709001008	1	Grease fitting M8x125
14	MA246678000	1	Right rear/left front leg lever
15	MA241650000	1	WHEEL DRIVE, BONFIGLIOLI
16	MA702017005	1	Blind rivet Nut M8
17	MA536001100	1	DAMPER, STROKE 381MM
18	MA701001316	1	Screw h m20x170 8.8 ZB 931
19	MA248101000	1	Equipped leveling valve
24	MA246793000	1	Paralift bending plate
25	MA246796000	1	Elobau sensor centering
26	MA246785000	1	Steering sensor trap door seal
28	MA246780000	1	Steering sensor trap door
29	MA246787000	1	Steering sensor electric shelth cleara
30	MA246790000	1	Electric shelth claerance seal
32	MA246789000	1	Air bag nut trap door seal
33	MA246788000	1	Air bag nut trap door
34	MA239717000	1	Hose guide bracket
35	MA239718000	1	Hose guide bended plate
37	MA239721000	1	NYLON BLOCK 1/3
38	MA239722000	1	Nylon Block 2/3
39	MA239723000	1	Nylon Block 3/3
40	MA246786000	1	Nut trap door seal
41	MA246784000	1	Nut trap door
42	MA710007001	1	UMFA 15.21 x JE 8.13
43	MA238817000	1	Elbow Pneumatic fitting
44	MA239720000	1	Block nylon bended plate
45	MA508023002	1	AIRBAG, 16"x3, WITH INTERNAL STOP
47	MA161284000	1	Clamp
48	MA702017004	1	Rivet nut M6
49	MA715008011	1	MOUNTING CLAMP HYDAC 2XØ15 HRZ 2 KP 15
50	MA253013000	1	Valve left protection cover
51	MA701001043	1	Screw H M06x012 8.8 ZB 933
52	MA249115000	1	Short left front flexible bracket
53	MA249116000	1	Nylon flexible bracket
54	MA249074000	1	Stroke end rope
55	MA703002006	1	Washers ext AZ06 ac ZB 27624
56	MA701001054	1	Screw H M06x025 8.8 ZB 933
57	MA702008011	1	AUTO LOCKNUT M6 AC8 ZB 986
58	MA702008016	1	LOCKNUT M8 A2 985
59	MA702008036	1	Auto locknut M20
60	MA701003110	1	BOLT CHC M10X30 ALLEN 8.8 DIN 913
61	MA701001287	1	Screw H M20x050 8.8 933
62	MA701003280	1	Screw CHC M20x050 10.9 ZB DIN 912
63	MA701001078	1	Screw H M08x030 8.8 ZB 931
64	MA703002024	1	Washer ext AZ08 ac ZB 27625
65	MA704002010	1	PIN V Ø3,2x025 Ac ZB 93
66	MA701004061	1	Screw FHC M06x35 10.9 ZB 7991
67	MA703005009	1	WASHER, SERRATED SAFETY LOCK, M20
68	MA701003196	1	Screw CHC M08x020 EF 8.8 912
69	MA703001054	1	WASHER M8 STEEL ZB
70	MA703001111	1	WASHER M12 SS
71	MA701001085	1	Screw H M08x040 8.8 ZB 933



DROP LEG FRONT LEFT - RUBICON
E842-HAU, 26:04:17

Page 2

Date 07.02.2020 8:05

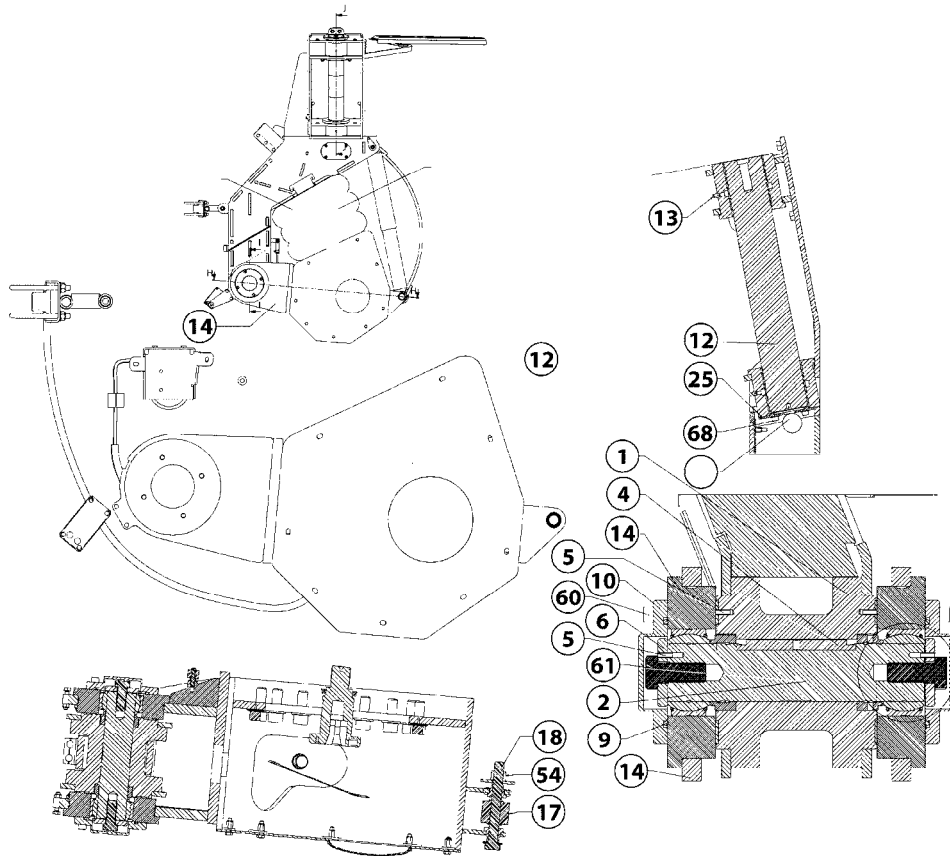
Pos.	parts-n°	order qty	description
72	MA702008001	1	AUTO LOCKNUT M8 AC8 ZB 985
73	MA703001039	1	WASHER M10 SS
74	MA702008019	1	AUTO LOCKNUT M10 A2 985
75	MA703001079	1	WASHER M20 SS
77	MA703001053	1	WASHER M8 SS
78	MA703001023	1	WASHER M12 STEEL ZB
79	MA701001163	1	Screw H M12x025 8.8 ZB 933
80	MA701003093	1	BOLT CHC M8X25 8.8 ZB 912
81	MA701003090	1	BOLT CHC M8x20 ALLEN A2
82	MA701003064	1	Screw CHc M06x025 8.8 ZB 912



DROP LEG FRONT LEFT - RUBICON
E843-HAU, 26:04:17

Page 0

Date 07.02.2020 8:05



E843-HAU

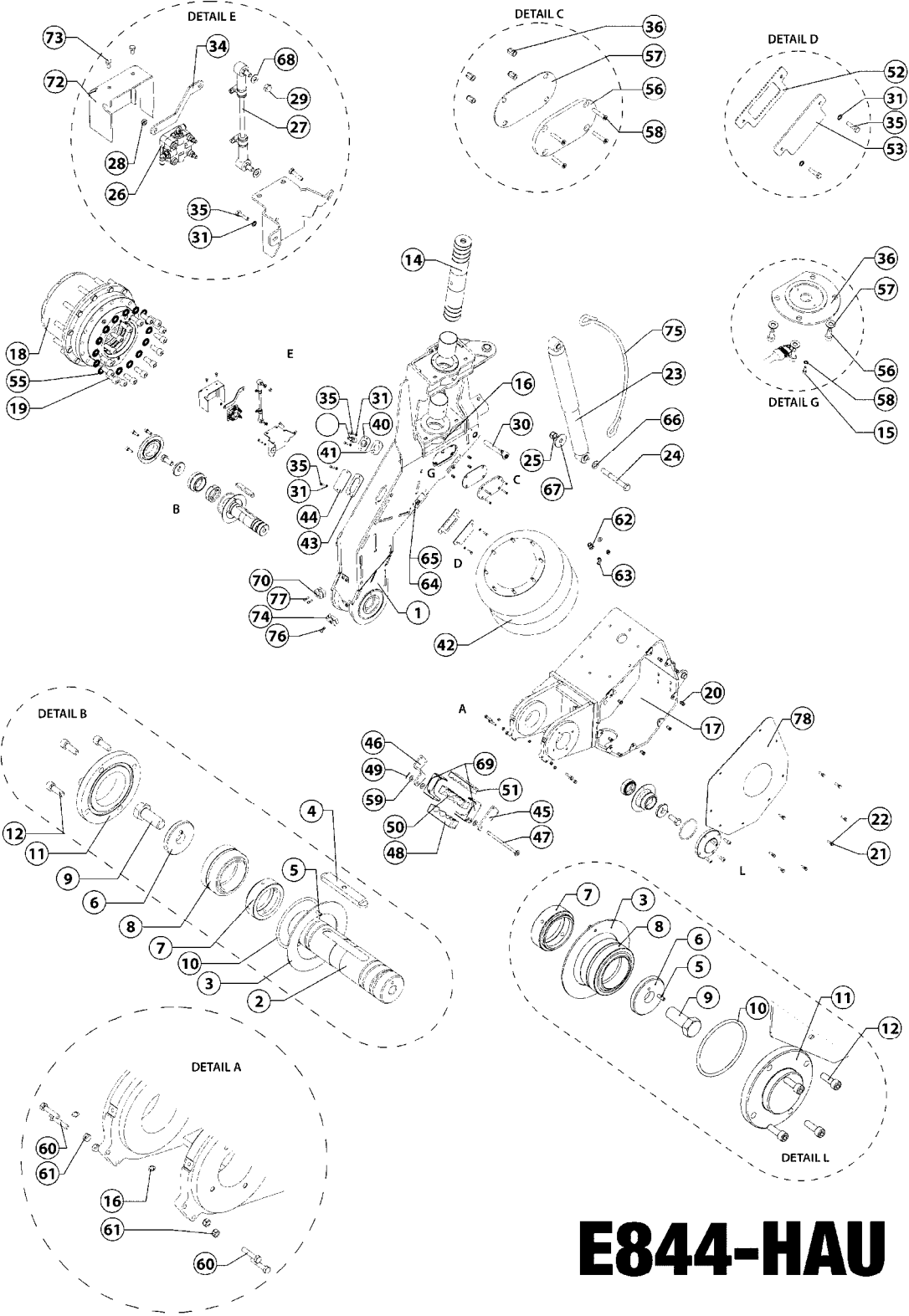


DROP LEG FRONT LEFT - RUBICON
E843-HAU, 26:04:17

Page 1

Date 07.02.2020 8:05

Pos.	parts-n°	order qty	description
1	MA252011000	1	Welded arm front left
2	MA246378000	1	Lever pivot axis
4	MA246383000	1	Key 18x11 LG 124
5	MA704004015	1	PIN EL Ø5x015 Ac 1481
6	MA246385000	1	Tightening washer
9	MA230275000	1	O-ring 100x5 nbr70sh
10	MA246382000	1	Cap
12	MA246781000	1	Pivot axis
13	MA709001008	1	Grease fitting M8x125
14	MA246678000	1	Right rear/left front leg lever
17	MA536001100	1	DAMPER, STROKE 381MM
18	MA701001316	1	Screw h m20x170 8.8 ZB 931
25	MA246796000	1	Elobau sensor centering
59	MA702008036	1	Auto locknut M20
60	MA701003110	1	BOLT CHC M10X30 ALLEN 8.8 DIN 913
61	MA701001287	1	Screw H M20x050 8.8 933
68	MA701003196	1	Screw CHc M08x020 EF 8.8 912



E844-HAU



Pos.	parts-n°	order qty	description
1	MA252012000	1	Welded arm rear right
2	MA246378000	1	Lever pivot axis
3	MA246381000	1	Bearing washer
4	MA246383000	1	Key 18x11 LG 124
5	MA704004015	1	PIN EL Ø5x015 Ac 1481
6	MA246385000	1	Tightening washer
7	MA246384000	1	Ball bearing
8	MA119017000	1	Radial spherical plain bearings GE60-D
9	MA701001287	1	Screw H M20x050 8.8 933
10	MA230275000	1	O-ring 100x5 nbr70sh
11	MA246382000	1	Cap
12	MA701003110	1	BOLT CHC M10X30 ALLEN 8.8 DIN 913
14	MA246781000	1	Pivot axis
15	MA701003017	1	SCREW SHC M04X12 8.8 ZB 912
16	MA709001008	1	Grease fitting M8x125
17	MA246678000	1	Right rear/left front leg lever
18	MA241650000	1	WHEEL DRIVE, BONFIGLIOLI
19	MA701003280	1	Screw CHc M20x050 10.9 ZB DIN 912
20	MA702017005	1	Blind rivet Nut M8
21	MA701001078	1	Screw H M08x030 8.8 ZB 931
22	MA703002024	1	Washer ext AZ08 ac ZB 27625
23	MA536001100	1	DAMPER, STROKE 381MM
24	MA701001316	1	Screw h m20x170 8.8 ZB 931
25	MA702008036	1	Auto locknut M20
26	MA248101000	1	Equipped leveling valve
27	MA246794000	1	Paralift link
28	MA702008011	1	AUTO LOCKNUT M6 AC8 ZB 986
29	MA702008016	1	LOCKNUT M8 A2 985
30	MA246782000	1	Dumper axis
31	MA703002006	1	Washers ext AZ06 ac ZB 27624
34	MA246793000	1	Paralift bending plate
35	MA701001054	1	Screw H M06x025 8.8 ZB 933
36	MA246796000	1	Elobau sensor centering
37	MA246785000	1	Steering sensor trap door seal
38	MA702017004	1	Rivet nut M6
39	MA246780000	1	Steering sensor trap door
40	MA246787000	1	Steering sensor electric shelth cleara
41	MA246790000	1	Electric shelth claerance seal
42	MA508023002	1	AIRBAG, 16"x3, WITH INTERNAL STOP
43	MA246789000	1	Air bag nut trap door seal
44	MA246788000	1	Air bag nut trap door
45	MA239717000	1	Hose guide bracket
46	MA239718000	1	Hose guide bended plate
47	MA239719000	1	Flange shaft
48	MA239721000	1	NYLON BLOCK 1/3
49	MA704002010	1	PIN V Ø3,2x025 Ac ZB 93
50	MA239722000	1	Nylon Block 2/3
51	MA239723000	1	Nylon Block 3/3
52	MA246786000	1	Nut trap door seal
53	MA246784000	1	Nut trap door
54	MA701004061	1	Screw FHC M06x35 10.9 ZB 7991
55	MA703005009	1	WASHER, SERRATED SAFETY LOCK, M20
56	MA701003196	1	Screw CHc M08x020 EF 8.8 912
57	MA703001054	1	WASHER M8 STEEL ZB
58	MA703002003	1	WASHER, LOCK, M04, EXT SERR
59	MA703001111	1	WASHER M12 SS
60	MA701001085	1	Screw H M08x040 8.8 ZB 933
61	MA702008001	1	AUTO LOCKNUT M8 AC8 ZB 985
62	MA710007001	1	UMFA 15.21 x JE 8.13
63	MA238817000	1	Elbow Pneumatic fitting
64	MA703001039	1	WASHER M10 SS

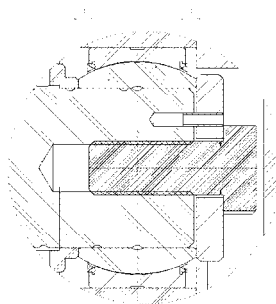
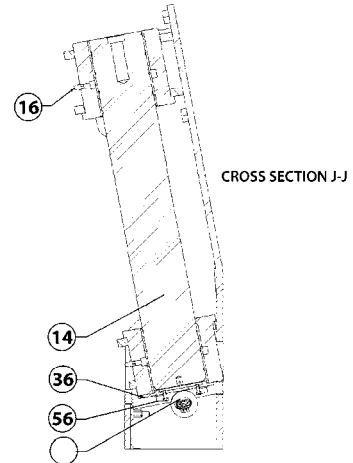
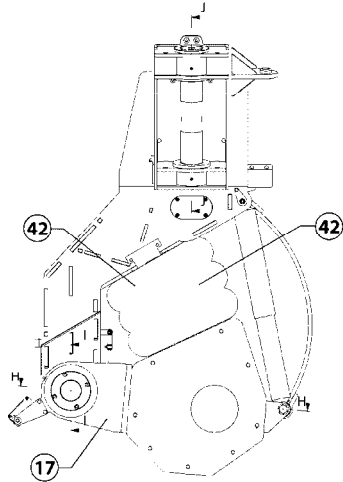


DROP LEG REAR RIGHT - RUBICON
E844-HAU, 26:04:17

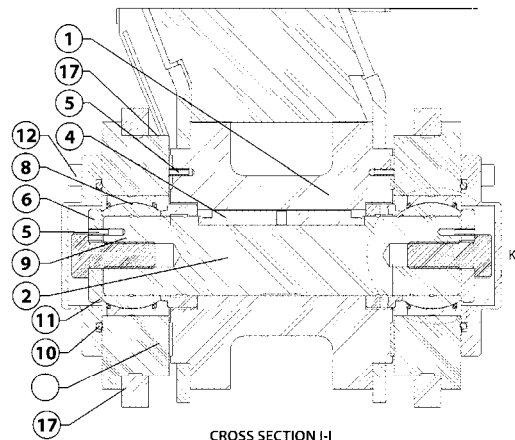
Page 2

Date 07.02.2020 8:06

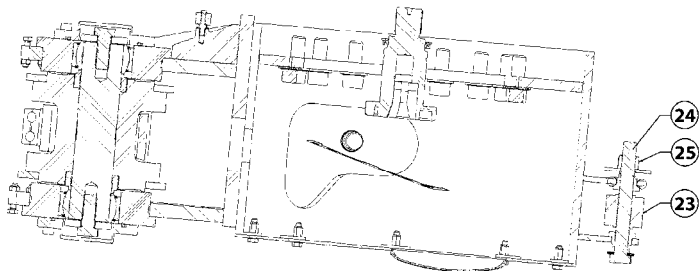
Pos.	parts-n°	order qty	description
65	MA702008019	1	AUTO LOCKNUT M10 A2 985
66	MA703001079	1	WASHER M20 SS
68	MA703001053	1	WASHER M8 SS
69	MA239720000	1	Block nylon bended plate
70	MA161284000	1	Clamp
72	MA253013000	1	Valve left protection cover
73	MA701001043	1	Screw H M06x012 8.8 ZB 933
74	MA715008011	1	MOUNTING CLAMP HYDAC 2XØ15 HRZ 2 KP 15
75	MA249074000	1	Stroke end rope
76	MA701003090	1	BOLT CHC M8x20 ALLEN A2
77	MA701003064	1	Screw CHc M06x025 8.8 ZB 912



DETAIL K



CROSS SECTION I-I



CROSS SECTION H-H

E845-HAU

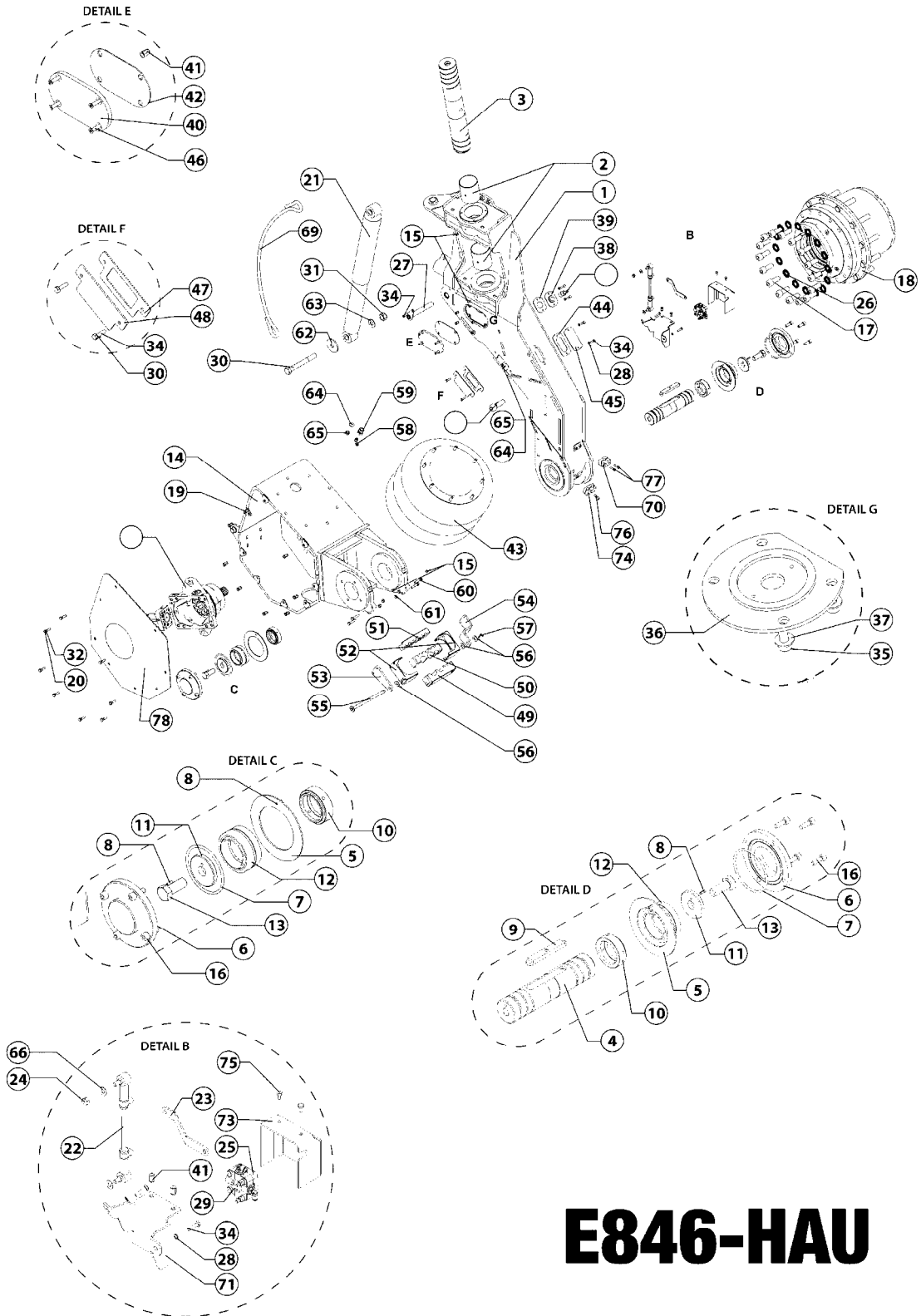


DROP LEG REAR RIGHT - RUBICON
E845-HAU, 26:04:17

Page 1

Date 07.02.2020 8:06

Pos.	parts-n°	order qty	description
1	MA252012000	1	Welded arm rear right
2	MA246378000	1	Lever pivot axis
4	MA246383000	1	Key 18x11 LG 124
5	MA704004015	1	PIN EL Ø5x015 Ac 1481
6	MA246385000	1	Tightening washer
8	MA119017000	1	Radial spherical plain bearings GE60-D
9	MA701001287	1	Screw H M20x050 8.8 933
10	MA230275000	1	O-ring 100x5 nbr70sh
11	MA246382000	1	Cap
12	MA701003110	1	BOLT CHC M10X30 ALLEN 8.8 DIN 913
14	MA246781000	1	Pivot axis
16	MA709001008	1	Grease fitting M8x125
17	MA246678000	1	Right rear/left front leg lever
23	MA536001100	1	DAMPER, STROKE 381MM
24	MA701001316	1	Screw h m20x170 8.8 ZB 931
25	MA702008036	1	Auto locknut M20
36	MA246796000	1	Elobau sensor centering
42	MA508023002	1	AIRBAG, 16"x3, WITH INTERNAL STOP
56	MA701003196	1	Screw CHc M08x020 EF 8.8 912





DROP LEG REAR LEFT - RUBICON
E846-HAU, 26:04:17

Page 1
Date 07.02.2020 8:06

Pos.	parts-n°	order qty	description
1	MA252013000	1	Welded arm rear left
2	MA246379000	1	Bearing
3	MA246781000	1	Pivot axis
4	MA246378000	1	Lever pivot axis
5	MA246381000	1	Bearing washer
6	MA246382000	1	Cap
7	MA230275000	1	O-ring 100x5 nbr70sh
8	MA704004015	1	PIN EL Ø5x015 Ac 1481
9	MA246383000	1	Key 18x11 LG 124
10	MA246384000	1	Ball bearing
11	MA246385000	1	Tightening washer
12	MA119017000	1	Radial spherical plain bearings GE60-D
13	MA701001287	1	Screw H M20x050 8.8 933
14	MA246679000	1	Left rear/right front leg lever
15	MA709001008	1	Grease fitting M8x125
16	MA701003110	1	BOLT CHC M10X30 ALLEN 8.8 DIN 913
17	MA701003280	1	Screw CHc M20x050 10.9 ZB DIN 912
18	MA241650000	1	WHEEL DRIVE, BONFIGLIOLI
19	MA702017005	1	Blind rivet Nut M8
20	MA701001078	1	Screw H M08x030 8.8 ZB 931
21	MA536001100	1	DAMPER, STROKE 381MM
22	MA246794000	1	Paralift link
23	MA246793000	1	Paralift bending plate
24	MA702008016	1	LOCKNUT M8 A2 985
25	MA702008011	1	AUTO LOCKNUT M6 AC8 ZB 986
26	MA703005009	1	WASHER, SERRATED SAFETY LOCK, M20
27	MA246782000	1	Dumper axis
28	MA703002006	1	Washers ext AZ06 ac ZB 27624
29	MA248101000	1	Equipped leveling valve
30	MA701001316	1	Screw h m20x170 8.8 ZB 931
31	MA702008036	1	Auto locknut M20
32	MA703002024	1	Washer ext AZ08 ac ZB 27625
34	MA701001054	1	Screw H M06x025 8.8 ZB 933
35	MA701003196	1	Screw CHc M08x020 EF 8.8 912
36	MA246796000	1	Elobau sensor centering
37	MA703001054	1	WASHER M8 STEEL ZB
38	MA246787000	1	Steering sensor electric shelth cleara
39	MA246790000	1	Electric shelth claerance seal
40	MA246780000	1	Steering sensor trap door
41	MA702017004	1	Rivet nut M6
42	MA246785000	1	Steering sensor trap door seal
43	MA508023002	1	AIRBAG, 16"x3, WITH INTERNAL STOP
44	MA246789000	1	Air bag nut trap door seal
45	MA246788000	1	Air bag nut trap door
46	MA701004061	1	Screw FHC M06x35 10.9 ZB 7991
47	MA246786000	1	Nut trap door seal
48	MA246784000	1	Nut trap door
49	MA239721000	1	NYLON BLOCK 1/3
50	MA239722000	1	Nylon Block 2/3
51	MA239723000	1	Nylon Block 3/3
52	MA239720000	1	Block nylon bended plate
53	MA239717000	1	Hose guide bracket
54	MA239718000	1	Hose guide bended plate
55	MA239719000	1	Flange shaft
56	MA703001111	1	WASHER M12 SS
57	MA704002010	1	PIN V Ø3,2x025 Ac ZB 93
58	MA238817000	1	Elbow Pneumatic fitting
59	MA710007001	1	UMFA 15.21 x JE 8.13
60	MA701001085	1	Screw H M08x040 8.8 ZB 933
61	MA702008001	1	AUTO LOCKNUT M8 AC8 ZB 985
63	MA703001079	1	WASHER M20 SS



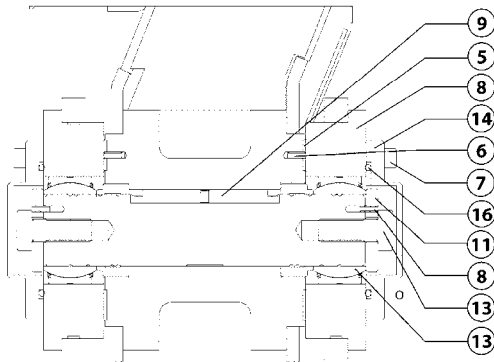
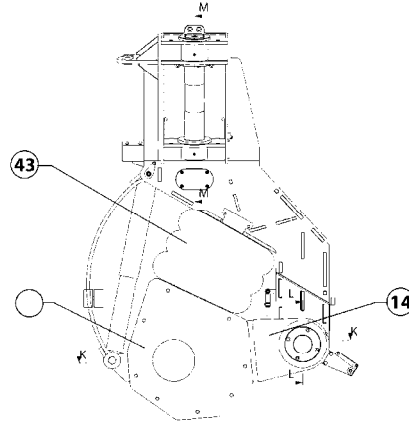
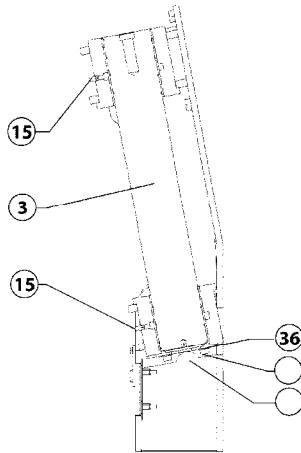
DROP LEG REAR LEFT - RUBICON
E846-HAU, 26:04:17

Page 2
Date 07.02.2020 8:06

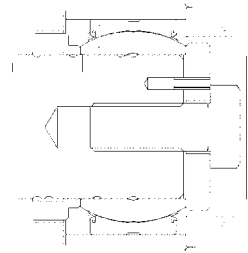
Pos.	parts-n°	order qty	description
64	MA703001039	1	WASHER M10 SS
65	MA702008019	1	AUTO LOCKNUT M10 A2 985
66	MA703001053	1	WASHER M8 SS
69	MA249074000	1	Stroke end rope
70	MA161284000	1	Clamp
71	MA253010000	1	Right leveling valve bracket
73	MA253012000	1	Valve Right protection cover
74	MA715008011	1	MOUNTING CLAMP HYDAC 2XØ15 HRZ 2 KP 15
75	MA701001043	1	Screw H M06x012 8.8 ZB 933
76	MA701003090	1	BOLT CHC M8x20 ALLEN A2
77	MA701003064	1	Screw CHc M06x025 8.8 ZB 912



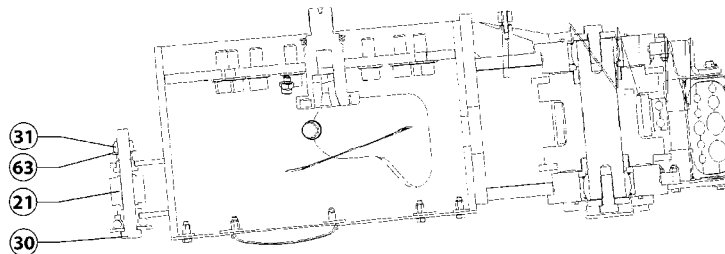
CROSS SECTION M-M



CROSS SECTION L-L



DETAIL O



CROSS SECTION K-K

E847-HAU

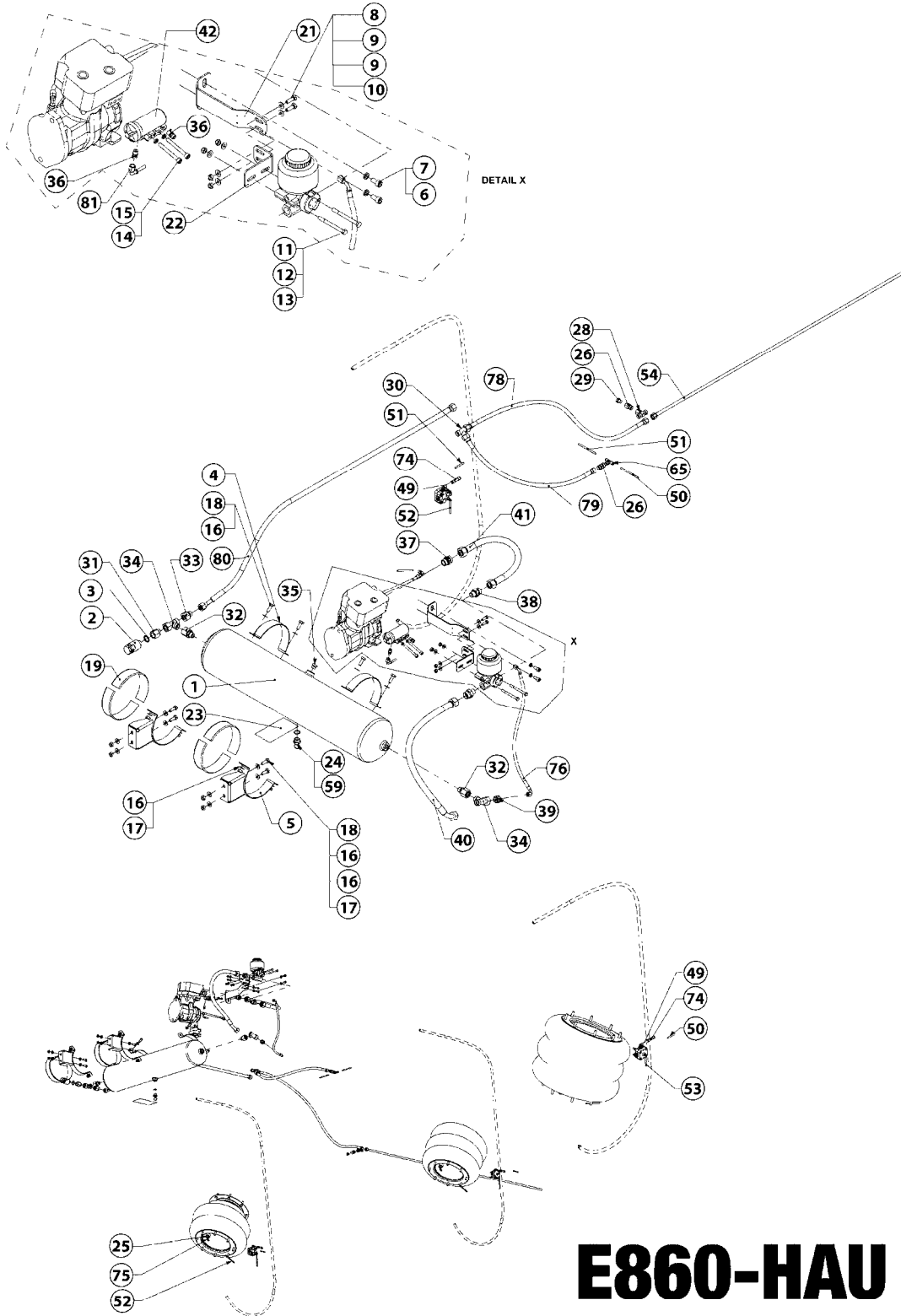


DROP LEG REAR LEFT - RUBICON
E847-HAU, 26:04:17

Page 1

Date 07.02.2020 8:06

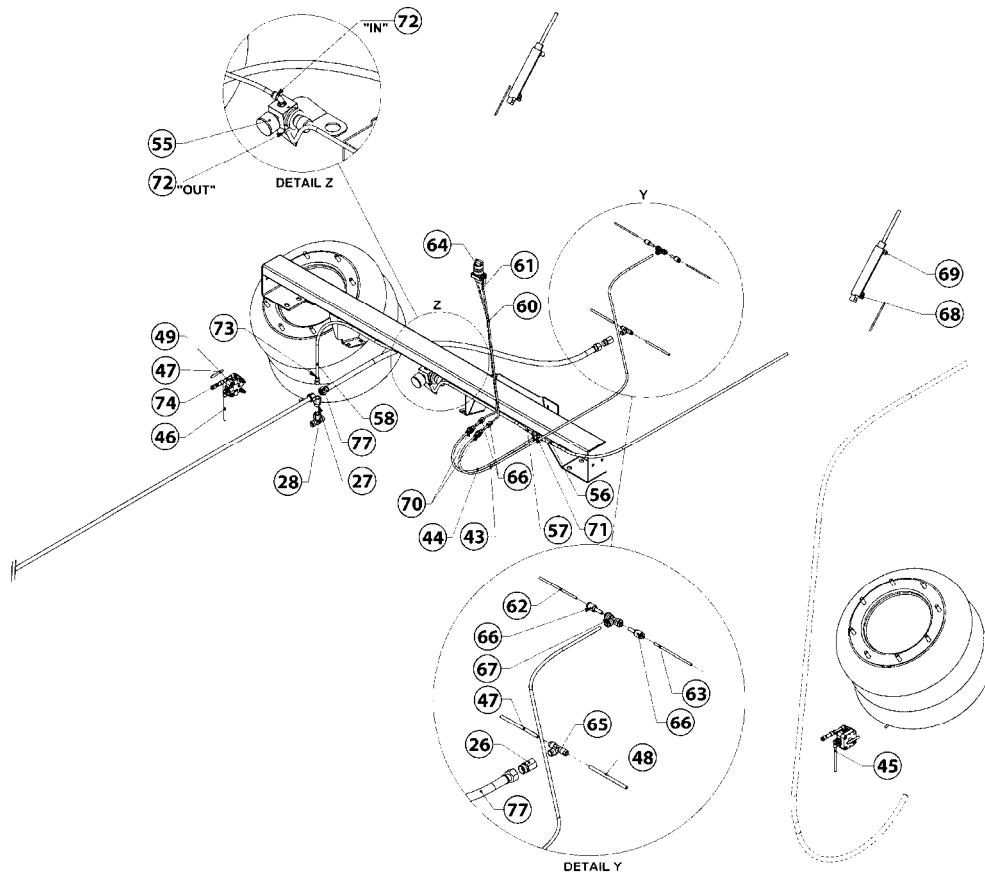
Pos.	parts-n°	order qty	description
3	MA246781000	1	Pivot axis
5	MA246381000	1	Bearing washer
6	MA246382000	1	Cap
7	MA230275000	1	O-ring 100x5 nbr70sh
8	MA704004015	1	PIN EL Ø5x015 Ac 1481
9	MA246383000	1	Key 18x11 LG 124
11	MA246385000	1	Tightening washer
12	MA119017000	1	Radial spherical plain bearings GE60-D
13	MA701001287	1	Screw H M20x050 8.8 933
14	MA246679000	1	Left rear/right front leg lever
15	MA709001008	1	Grease fitting M8x125
16	MA701003110	1	BOLT CHC M10X30 ALLEN 8.8 DIN 913
21	MA536001100	1	DAMPER, STROKE 381MM
30	MA701001316	1	Screw h m20x170 8.8 ZB 931
31	MA702008036	1	Auto locknut M20
36	MA246796000	1	Elobau sensor centering
43	MA508023002	1	AIRBAG, 16"x3, WITH INTERNAL STOP
63	MA703001079	1	WASHER M20 SS



E860-HAU



Pos.	parts-n°	order qty	description
1	MA508026001	1	30L air tank
2	MA508027001	1	VALVE, SAFETY - 9.5 BAR
3	MA175101000	1	Bonded seal Ø21.7
4	MA242593000	1	Air tank clamp
5	MA242591000	1	Air tank clamp
6	MA703004007	1	Washer W10 ac 25516
7	MA701003107	1	BOLT CHC M10X20 ALLEN 8.8 DIN 913
8	MA701001074	1	BOLT H M8X25 8.8 ZB 933
9	MA703001054	1	WASHER M8 STEEL ZB
10	MA702008001	1	AUTO LOCKNUT M8 AC8 ZB 985
11	MA701001523	1	BOLT HEX M8X90 A2 931
12	MA703001053	1	WASHER M8 SS
13	MA702008016	1	LOCKNUT M8 A2 985
14	MA703004015	1	Washer W08 ac ZB 25516
15	MA701003214	1	Screw CHC M08x70 8.8 912
16	MA703001059	1	WASHERS M10 STEEL ZB
17	MA702008007	1	AUTO LOCKNUT M10 AC8 ZB 985
18	MA701001147	1	BOLT H M10X30 8.8 ZB 933
19	MA705016071	1	Rubber sole profiled seal
20	MA240497000	1	Alcohol Injector
21	MA245744000	1	Antifreeze engine bracket
22	MA245745000	1	Antifreeze bracket
23	MA250238000	1	Compress air circuit flush sticker
24	MA508028001	1	Flush cap 1/2 NPTF
25	MA710007001	1	UMFA 15.21 x JE 8.13
26	MA710051012	1	UMA 12 x B 8.13 L NS
28	MA710027009	1	TEE 12L DS
29	MA161606000	1	MALE PLUG FUEL BSPP 1/4"
30	MA710028011	1	TA 15L
31	MA710051010	1	UMA 18 x B 22x150 L NS
32	MA710004007	1	AA 18 x 15/21 L
33	MA710000006	1	ARA 18X15L.AS
34	MA710039006	1	TELA 18 EL x 18L DS
35	MA710533000	1	MALE PLUG BSPP 3/8"
36	MA710050003	1	UMCA 6 x NPT 1/8 L NS
37	MA710052026	1	UMA 22 x JE 27x200 L NS
38	MA710054011	1	UMA 22 x JE 22x150 L NS
39	MA710043004	1	UNION DOUBLE REDUIT 18 x 8 L NS
40	MA242642000	1	Tank air inlet flexible
41	MA242641000	1	Compressor air outlet flexible
42	MA508025001	1	Governor 100-120 PSI
43	MA238306015	1	Pneumatic pipe Ø6
49	MA238306009	1	Pneumatic pipe Ø6
50	MA238306005	1	Pneumatic pipe Ø6
51	MA238306006	1	Pneumatic pipe Ø6
52	MA238306007	1	Pneumatic pipe Ø6
53	MA238306008	1	Pneumatic pipe Ø6
54	MA242644000	1	Compress air rigid pipe Ø12
59	MA230124000	1	Copper seal 21x26x1,5 JC21
65	MA238929000	1	Tee 1/4 BSP Ø7
74	26058204	1	CHECK VALVE 1/4" MINI 23CV04 AIR BAG RUBICON
75	MA238817000	1	Elbow Pneumatic fitting
76	MA511301301	1	Flexible R2T6 6/8L
78	MA511331502	1	Flexible R2T10 12/15L
79	MA511331501	1	Flexible R2T10 12/15L
80	MA511340609	1	FLEXIBLE EFR15L R2T13 250b EFR15L 45°
81	MA511005039	1	Fitting 06 DIN20078N F06L 90°



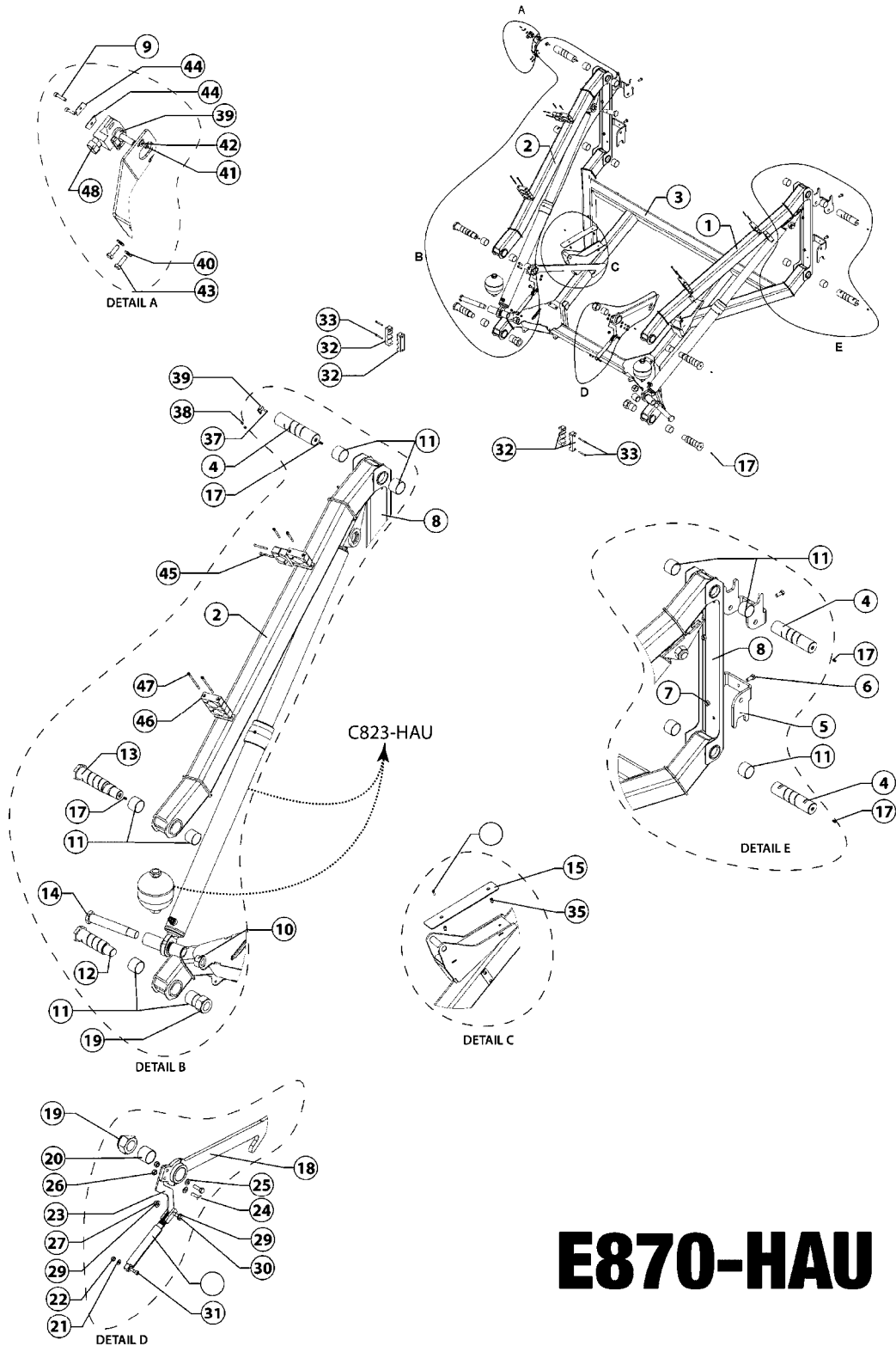
E861-HAU



AIR CIRCUIT COMPONENTS -
RUBICON
E861-HAU, 21:03:17

Page 1
Date 07.02.2020 8:06

Pos.	parts-n°	order qty	description
26	MA710051012	1	UMA 12 x B 8.13 L NS
27	MA710045000	1	ADAPTER FITT. UFA 12X8.13 L NS
28	MA710027009	1	TEE 12L DS
43	MA238306015	1	Pneumatic pipe Ø6
44	MA238306014	1	Pneumatic pipe Ø6
45	MA238306013	1	Pneumatic pipe Ø6
46	MA238306012	1	Pneumatic pipe Ø6
47	MA238306011	1	Pneumatic pipe Ø6
47	MA238306011	1	Pneumatic pipe Ø6
48	MA238306010	1	Pneumatic pipe Ø6
49	MA238306009	1	Pneumatic pipe Ø6
55	MA244921000	1	AIR REGULATOR 0.5-8 BAR
56	MA238308011	1	Pneumatic pipe Ø8
57	MA238308010	1	Pneumatic pipe Ø8
58	MA238308009	1	Pneumatic pipe Ø8
60	MA238304013	1	Pneumatic pipe Ø4
61	MA238304012	1	Pneumatic pipe Ø4
62	MA238304011	1	Pneumatic pipe Ø4
63	MA238304010	1	Pneumatic pipe Ø4
64	MA238684000	1	FRONT LIFT LOCK SWITCH
65	MA238929000	1	Tee 1/4 BSP Ø7
66	MA238319000	1	Pneumatic restrictor Ø6 - Ø4
66	MA238319000	1	Pneumatic restrictor Ø6 - Ø4
68	MA238819000	1	Fitting air elbow 90 Ø4
70	MA508018002	1	One-touch Fitting Ø6
71	MA508015001	1	FITT. TEE Ø8-6-8
72	MA508014001	1	L fitting MALE Ø6 BSP ORIENTABLE
73	MA238804000	1	Fitting straight Ø8 G1/4
74	26058204	1	CHECK VALVE 1/4" MINI 23CV04 AIR BAG RUBICON
77	MA511330908	1	Flexible R2T10 12L

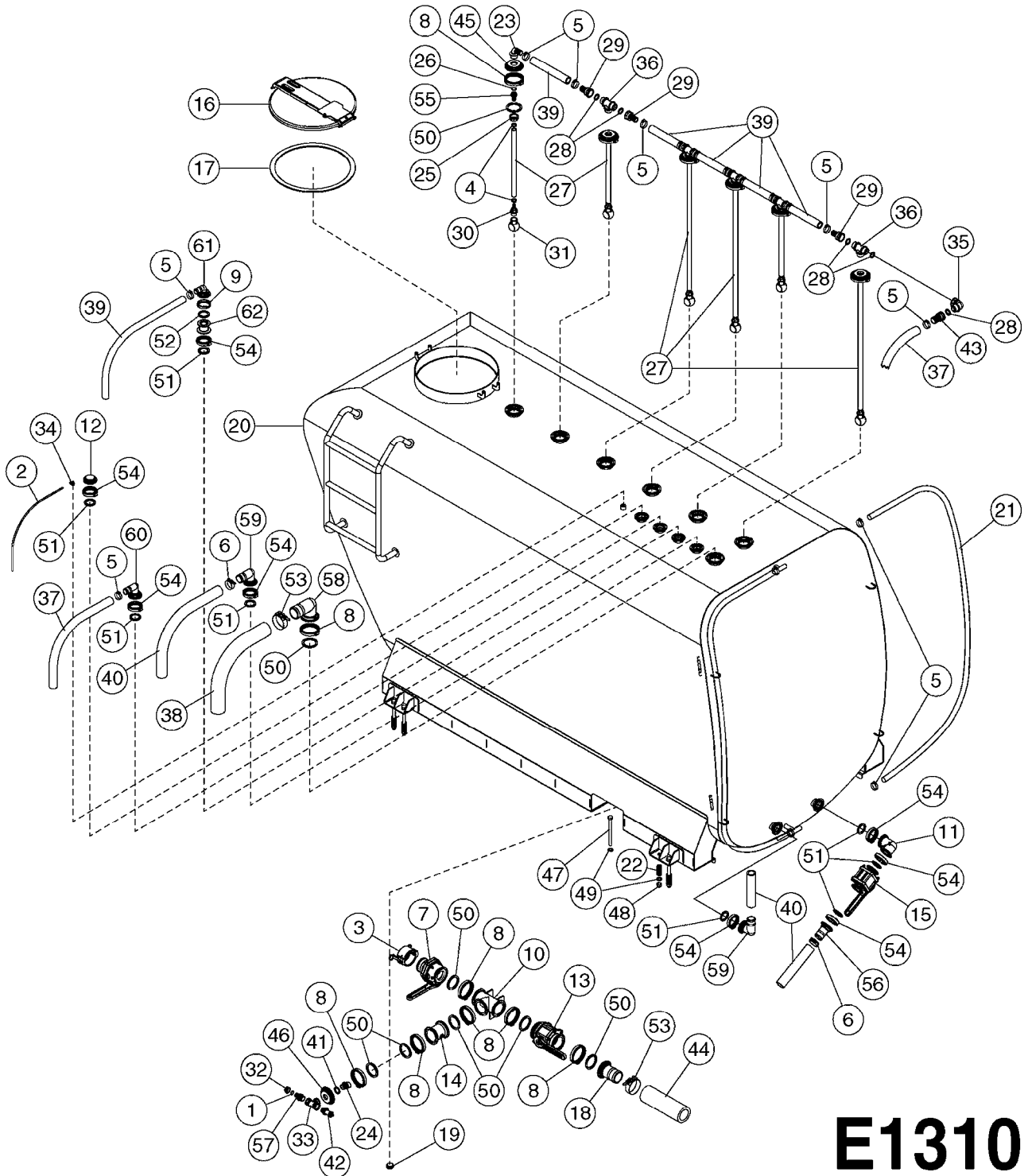




PARALIFT - RUBICON
E870-HAU, 26:04:17

Page 1
Date 07.02.2020 8:06

Pos.	parts-n°	order qty	description
1	MA246942000	1	RUBICON - RIGHT ARM LIFT
2	MA246941000	1	RUBICON - LEFT ARM LIFT
3	MA246943000	1	RUBICON - PARALIFT
4	MA246585000	1	Paralift quick axis
5	MA246586000	1	PARALIFT FORK
6	MA701001165	1	BOLT HEX M12X30 8.8 933
7	MA702008021	1	LOCKNUT M12 AC8 ZB 985
8	MA246581000	1	RUBICON - VERTICAL LIFT
9	MA701003021	1	Screw CHC M04x20 8.8 ZB 912
10	MA702008041	1	Auto locknut M30 ac8 ZB 985
11	MA512006003	1	Bushing bearing Øint 50 Øext 55 lg 40
12	MA246946000	1	Paralift down axis
13	MA246582000	1	Paralift top axis
14	MA246987000	1	Screw h M35x100 8.8 ZB 931
15	MA246985000	1	Lifting hook slide
16	MA246944000	1	RUBICON - LEFT LIFT LOCKER
17	MA709001008	1	Grease fitting M8x125
18	MA246945000	1	RUBICON - RIGHT LIFT LOCKER
19	MA702008050	1	Auto locknut M39 ac8 ZB 985
20	MA512006008	1	Bearing dint 45 dext 50 lg 40
21	MA703001053	1	WASHER M8 SS
22	MA702008016	1	LOCKNUT M8 A2 985
24	MA701001424	1	Screw H M10x035 8.8 ZB 933
25	MA703001059	1	WASHERS M10 STEEL ZB
26	MA702008007	1	AUTO LOCKNUT M10 AC8 ZB 985
27	MA702008019	1	AUTO LOCKNUT M10 A2 985
29	MA703001039	1	WASHER M10 SS
30	MA701001469	1	Screw H M10x045 A2 931
31	MA701003099	1	Screw CHC M08x040 A2 912
32	MA239721000	1	NYLON BLOCK 1/3
33	MA701003214	1	Screw CHC M08x70 8.8 912
35	MA702017004	1	Rivet nut M6
37	MA702008002	1	LOCKNUT M6 A2 985
38	MA701005004	1	Screw STHC M06x016 45H 913
39	MA236620000	1	CLAMP, GEAR, SS, BX8 08/16
40	MA703001048	1	WASHER M6 SS
41	MA702008049	1	Auto locknut M04 ac8 ZB 985
42	MA703001101	1	Washers M04 steel ZB
43	MA701001051	1	Screw H M06x020 A2 933
44	MA231783000	1	PLATE, STEERING SENSOR STOP
45	MA701003077	1	Screw CHC M06x60 8.8 912
46	MA161120000	1	Mounting clamp Ø50
47	MA701003086	1	Screw CHC M06x120 8.8 ZB 912
48	MA723010002	1	Angle sensor ELOBAU type 424



E1310



TANK - RUBICON 9000
E1310-HIN, 24:05:18

Page 1
Date 07.02.2020 8:06

Pos.	parts-n°	order qty	description
1	330595	1	O-RING D24.6/D20X2.1 -3/4"
2	927306	1	HOSE R X PE D8/D6 X 0012"BLACK
3	28029703	1	CAP F.MALE QUICK COUPLER 3"
4	23008003	1	FITT, 1/4" M BSPP X 4MM
5	28030103	1	CLAMP HOSE GEAR P5/4-S1.5"6724
6	28030203	1	CLAMP HOSE T-BOLT S2" 235-67
7	28034103	1	BALL VALVE BANJO 3" FLG.xMALE
8	28034203	1	CLAMP F. 3" BANJO FLANGE
9	28034503	1	CLAMP F. 2" STD BANJO FLANGE
10	28052303	1	BANJO FITT 3" TEE
11	28091203	1	COUPLING, BANJO, 2", FLANGE, 90
12	28104103	1	PLUG, MANIFOLD FITTING, 2"
13	28104403	1	VALVE, MANIFOLD FLANGED STD 3 INCH BOLTED
14	28104603	1	FITT, FLANGE 3" X 3" STR
15	28104803	1	VALVE, MANIFOLD FLANGED STD 2 INCH BOLTED
16	28105103	1	LID ASSEMBLY 20" RUBICON TANK
17	28105203	1	BUNA GASKET F.RUBICON LID
18	28105403	1	FITT, 3 IN FLANGE BARB
19	28107003	1	FITT, 1 1/4" NPT PLUG, BLK PP
19	28107103	1	FITT, 1 1/2" NPT PLUG, BLK PP
20	63058003	1	ONLY USED ON EARLY 2018 MODEL
20	63058003	1	SS TANK, RUBICON
21	92703503	1	HOSE VINYL CLEAR 1-1/4" OD X 1" ID
22	MA014315000	1	COMPRESSION SPRING
23	MA234415000	1	FITT.ELBOW MALE 1-1/4" Ø32
24	MA234438000	1	FITT.ELBOW MALE 1-1/4" Ø30
25	MA237220000	1	PLASTIC NUT 1-1/4"
26	MA237226000	1	O-RING 26.64X2.62 NITRIL
27	MA237311000	1	TRESS NOBEL HOSE Ø28xØ19
28	MA237345000	1	GASKET 1-1/4"
29	MA237747000	1	FITT.STR.FEMALE 1-1/4" Ø32
30	MA237811000	1	FITTING STRAIGHT 1" Ø19
31	MA238247000	1	ROTATING RINSE NOZZLE
32	MA238587000	1	FITT.CAP NUT 3/4"
33	MA238664000	1	FITT.TEE FEMALE 1"
34	MA238803000	1	ELBOW PIPE FITTING 90° D8 1/4"
35	MA238836000	1	FITT.ELBOW M-F 1-1/4"
36	MA238837000	1	FITT.TEE MALE 1-1/4"
37	MA240469000	1	HOSE Ø38X51 R4 D.38X50 / REV.:A
38	MA240470000	1	HOSE Ø76x89 R4 D.76x89
39	MA240475000	1	HOSE Ø30X40 R4 D.30X40 / REV.:A
40	MA240549000	1	HOSE Ø50X65 OSM II / REV.:A
41	MA241084000	1	GASKET 1-1/4" 45 X 33 X 3
42	MA243402000	1	SENSOR FOR ELECTRONIC GAUGE
43	MA244491000	1	FITT.STR.FEMALE 1-1/4" Ø40
44	MA247059000	1	TRANSPARENT HOSE Ø76
45	MA251288000	1	PLUG, MANIFOLD, 3" W/HOLE Ø42
46	MA251290000	1	PLUG, MANIFOLD, 3" W/HOLE Ø34
47	MA701001369	1	BOLT HEX M18X200 8.8 DIN931
48	MA702008032	1	LOCKING NUT M18 DIN985 SS
49	MA703001076	1	WASHER PLATE M18
50	MA705010001	1	GASKET F. 3" BANJO FLANGE VITON
51	MA705010002	1	GASKET F. 2" FP BANJO FLANGE VITON
52	MA705010003	1	GASKET F. 2" BANJO FLANGE VITON
53	MA715006030	1	HOSE CLAMP Ø85-95 SS W5
54	MA715011002	1	CLAMP F.2" FP BANJO FLANGE
55	MA718014001	1	FITT.STR.O-RING 1-1/4" Ø32
56	MA718014024	1	2" FP MANIFOLD HOSE BARB
57	MA718016001	1	FITT.REDUCER G1" X G3/4"
58	MA718022005	1	FITT.3" FLANGE 90° ELBOW 3"
59	MA718022008	1	FITT.2" FP FLANGE X 2" 90° ELBOW



TANK - RUBICON 9000
E1310-HIN, 24:05:18

Page 2

Date 07.02.2020 8:06

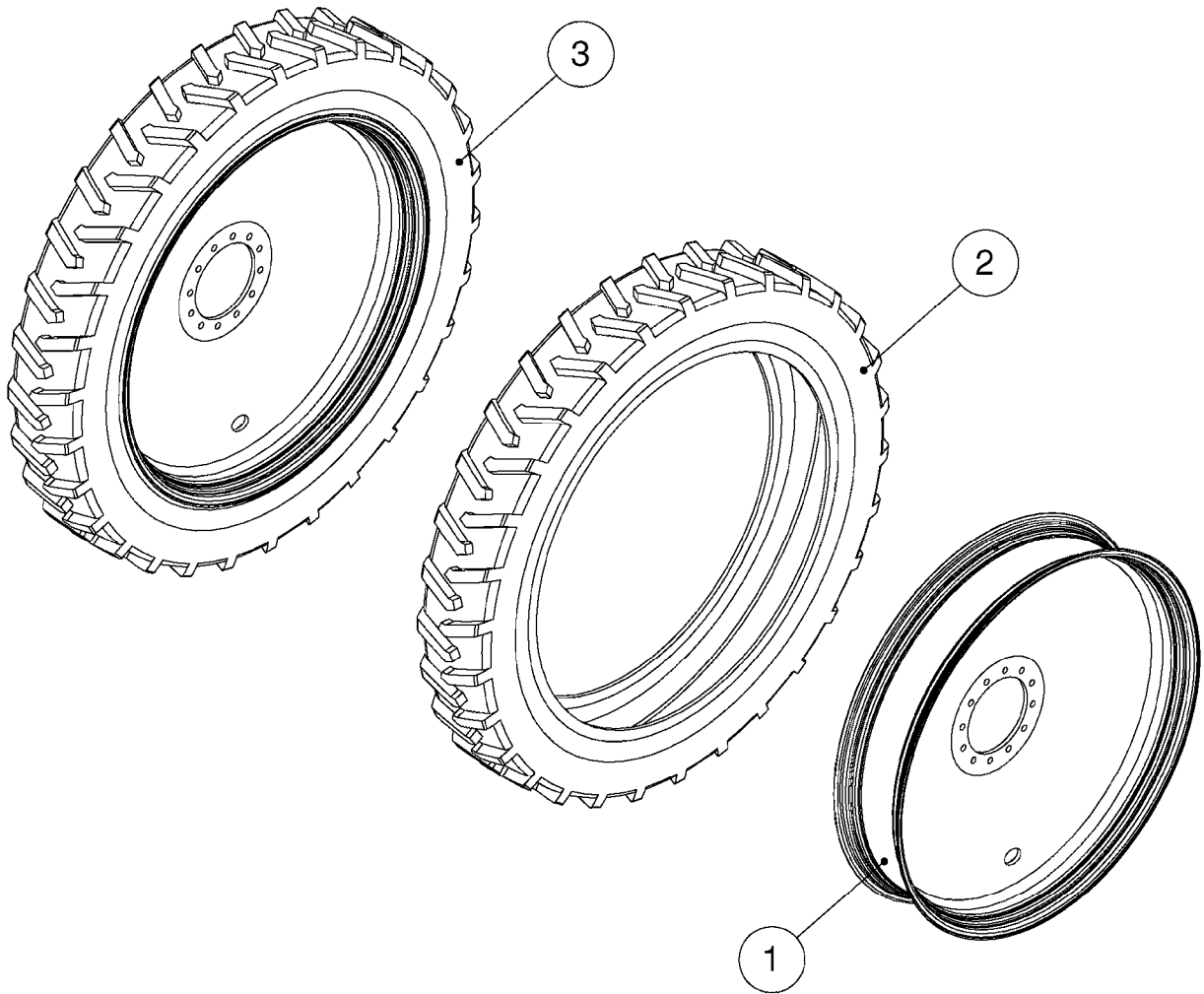
Pos.	parts-n°	order qty	description
60	MA718022012	1	FITT.2" FLANGE 90° ELBOW 1-1/2"
61	MA718022015	1	FITT.2" FLANGE 90° ELBOW 1-1/4"
62	MA718023002	1	FITT.2" FLANGE REDUCER COUPLING



WHEELS FOR RUBICON
E1320-HIN, 09:07:18

Page 0

Date 07.02.2020 8:06



E1320



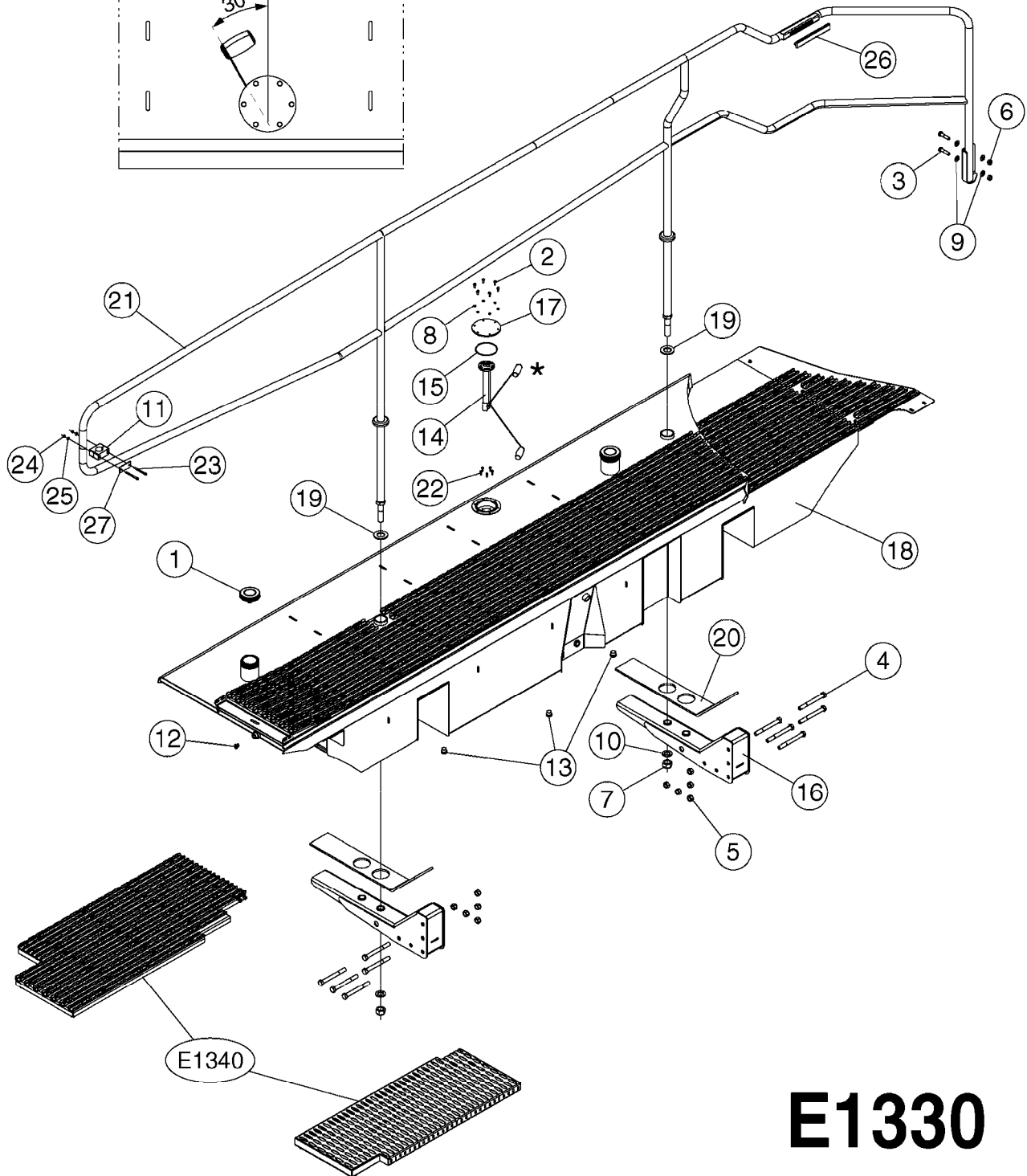
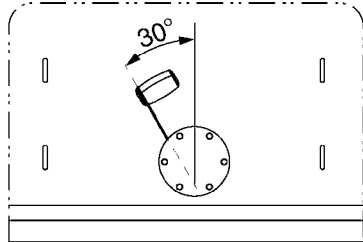
WHEELS FOR RUBICON
E1320-HIN, 09:07:18

Page 1
Date 07.02.2020 8:06

Pos.	parts-n°	order qty	description
1	28101603	1	WHEEL, 54X16", 12B/15.75BC/13.79P
2	28104003	1	TIRE LSW480/70R54 181D
3	70153803	1	WHEEL/TIRE 69.85MM INSET 480/70R54 LH
3	70153903	1	WHEEL/TIRE 69.85MM INSET 480/70R54 RH



* Position of gauge in housing



E1330

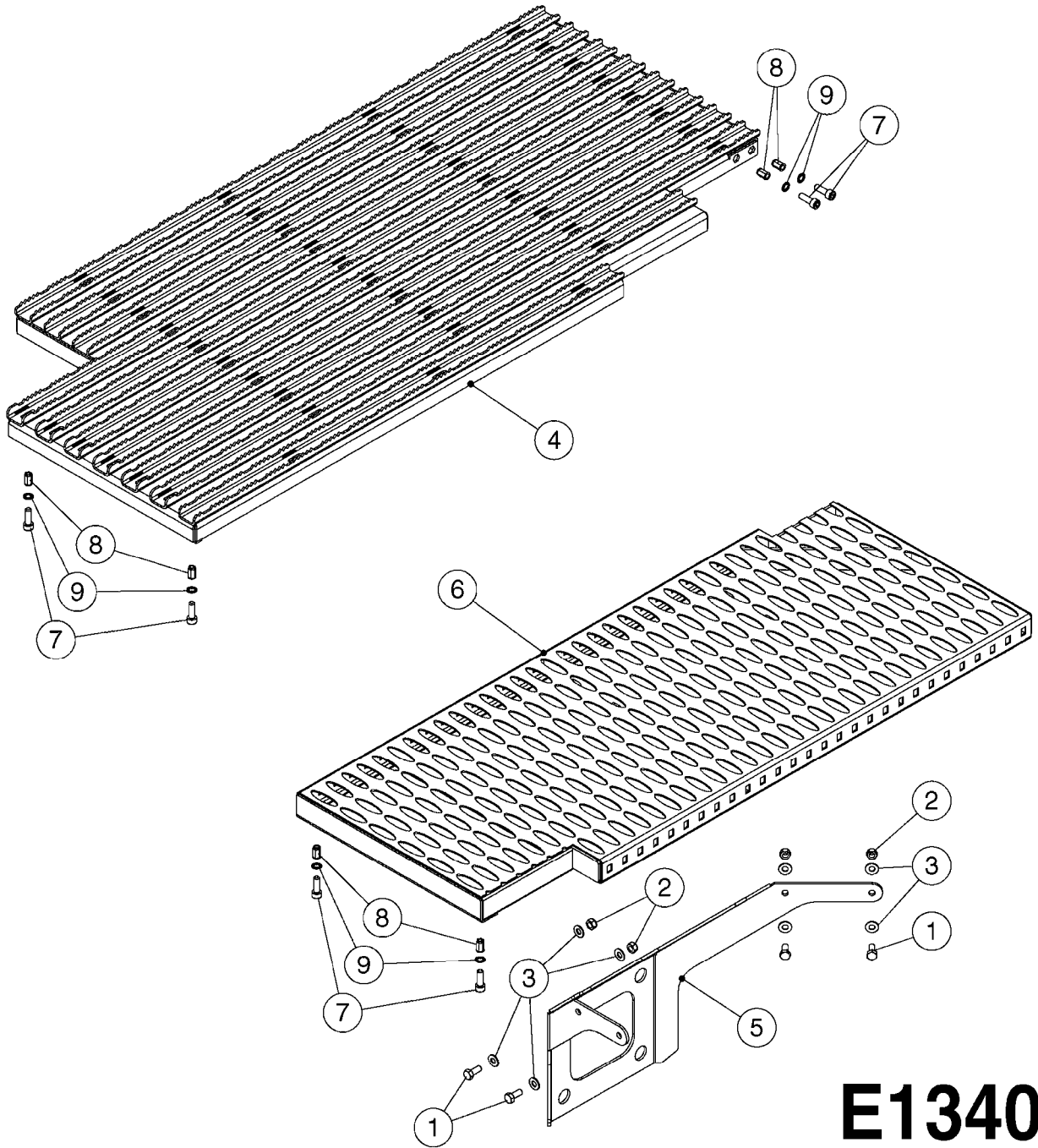


PLATFORM/FUEL TANK - RUBICON
E1330-HIN, 14:08:18

Page 1

Date 07.02.2020 8:06

Pos.	parts-n°	order qty	description
1	278924	1	FUEL TANK PLASTIC CAP
2	410185	1	BOLT HEX 8.8 DEL M6X16
3	430939	1	BOLT M12X50 STAINLESS
4	438052	1	BOLT HEX 8.8 DEL M16X150
5	460585	1	LOCKING NUT M16 DIN985 A2 SS
6	460703	1	NUT HEX M12X1.75 LOCK DIN985A2 SS
7	460747	1	NUT HEX M24 LOCK
8	471125	1	WASHER M6U 6.4X14X1.2,A2 SS
9	471127	1	WASHER, M12, Ø24/13X24X2.5 SS
10	471130	1	WASHER, M24, Ø44/25.0X 4.0, SS
11	MA161369000	1	MOUNTING CLAMP Ø40
12	MA161606000	1	MALE PLUG FUEL BSPP 1/4"
13	MA233630000	1	PLUG G1/2
14	MA234310000	1	FUEL LEVEL SENDER
15	MA237114000	1	O-RING Ø94X3
16	MA242655000	1	RUBICON - FUEL TANK BRACKET
17	MA242658000	1	RUBICON GAUGE COVER
18	MA242666000	1	RUBICON FUEL TANK
19	MA245864000	1	WASHER 5MM Ø62/Ø34 /NYLON
20	MA245865000	1	RUBBER 728 X115 X 8.5MM
21	MA245973000	1	HANDRAIL - LEFT HAND - RUBICON
22	MA701003028	1	BOLT CHC M5X16 ALLEN A2 912
23	MA701003278	1	BOLT CHC M6X80 ALLEN A2 DIN 912
24	MA702008002	1	LOCKNUT M6 A2 985
25	MA703001048	1	WASHER M6 SS
26	MA705016073	1	RUBBER PROFILE L=150
26	MA705016075	1	RUBBER PROFILE L=210
27	MA715010004	1	MOUNTING CLAMP PLATE Ø40



E1340

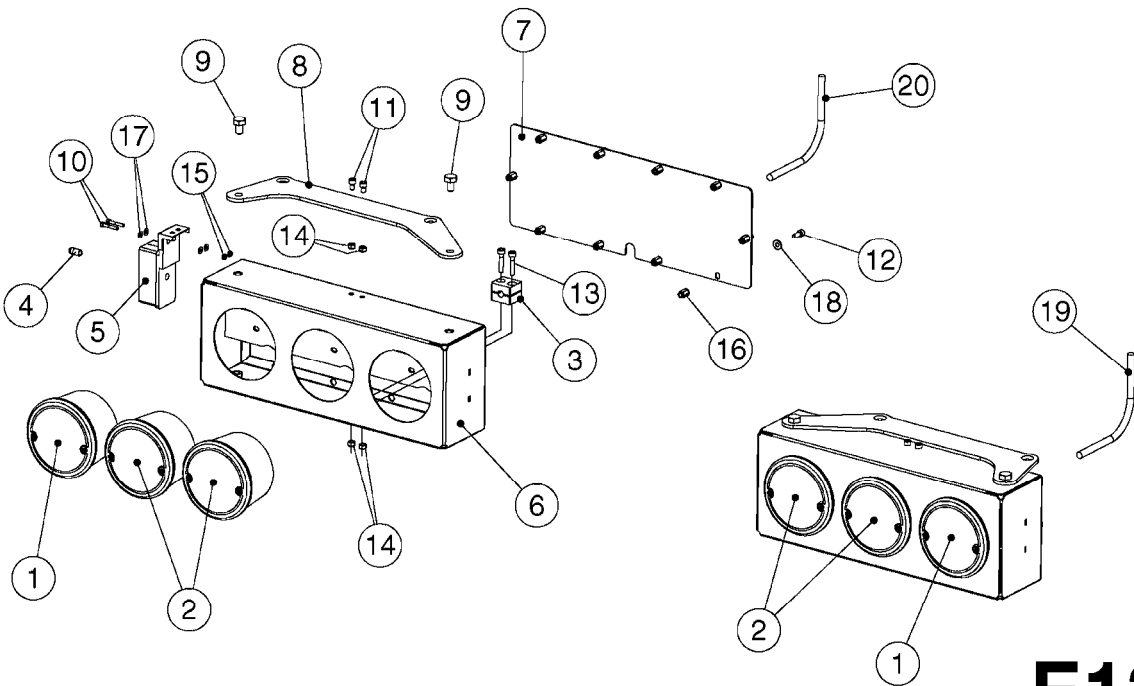
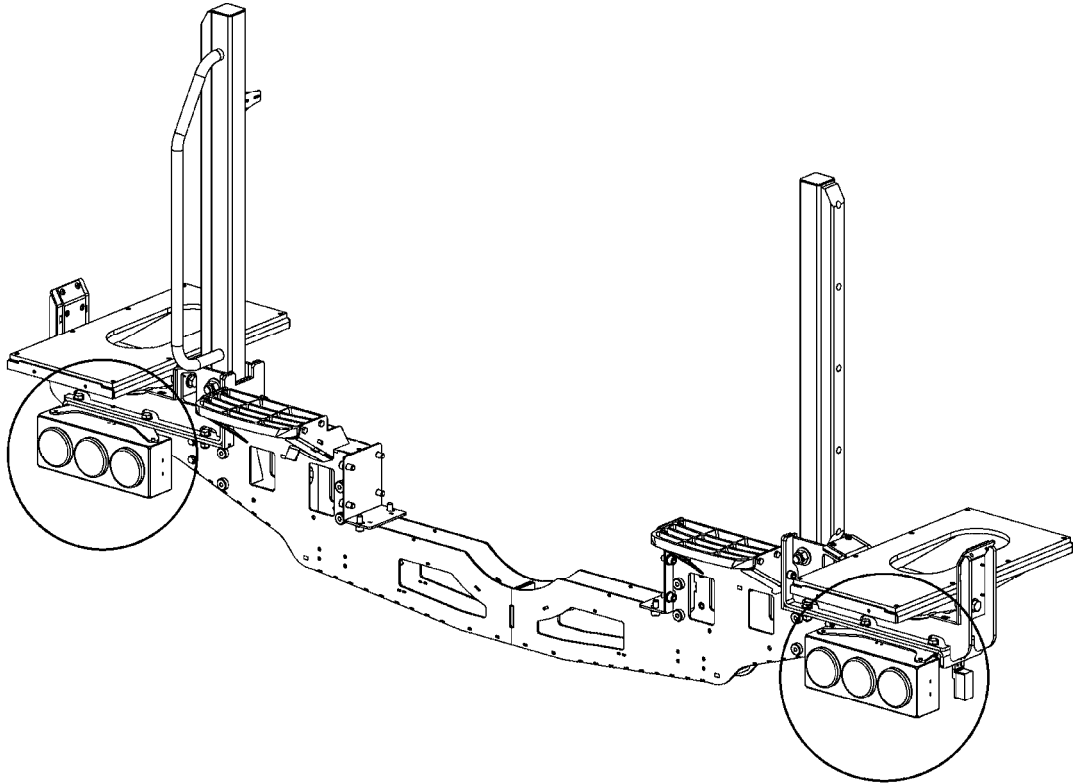


PLATFORM, REAR - RUBICON
E1340-HIN, 14:08:18

Page 1

Date 07.02.2020 8:06

Pos.	parts-n°	order qty	description
1	420582	1	BOLT HEX 8.8 DEL M8X20 FT A2
2	460143	1	SELF LOCK NUT M8 SST A2 DIN985
3	471126	1	WASHER, M8, Ø16/ 8.4X 1.6, SS
4	MA245896000	1	LEFT REAR PLATFORM / REV:A
5	MA253005000	1	PLATFORM BRACKET
6	MA253226000	1	RIGHT REAR PLATFORM / REV:A
7	MA701003094	1	BOLT CHC M8X25 ALLEN A2 DIN 933
8	MA702017013	1	BLIND RIVET NUT M8
9	MA703003010	1	WASHER INT JZ08 A2 27625



E1350

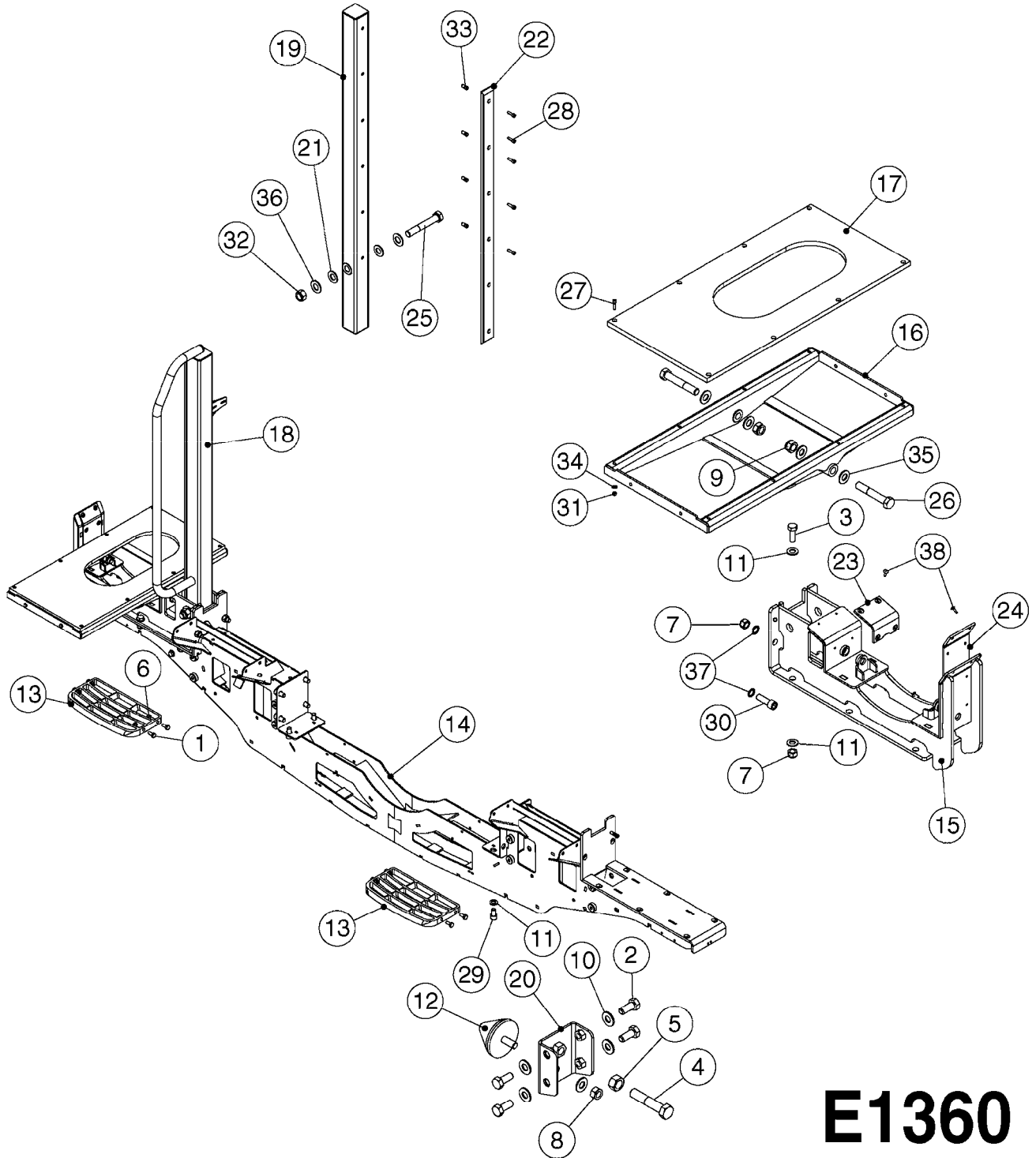


REAR TRAFFIC LIGHTS - RUBICON
E1350-HIN, 13:08:18

Page 1

Date 07.02.2020 8:06

Pos.	parts-n°	order qty	description
1	26011901	1	REAR TURN SIGNAL, ORANGE LED
2	26012001	1	REAR LIGHT STOP/POSITION RED LED
3	MA161256000	1	CLAMP 10
4	MA234072000	1	LIGHT BULB 12V
5	MA234674000	1	SIDE MARKER LIGHT
6	MA243853000	1	TAIL LIGHT HOUSING
7	MA243854000	1	TAIL LIGHT LID
8	MA243855000	1	TAIL LIGHT SUPPORT
9	MA701001345	1	HEX BOLT M10X16 A2 933
10	MA701003024	1	BOLT CHC M4X25 ALLEN A2 912
11	MA701003052	1	BOLT M6X10 ALLEN A2 912
12	MA701003058	1	BOLT M6X16 ALLEN A2 912
13	MA701003069	1	BOLT CHC M6X30 ALLEN A2 912
14	MA702008002	1	LOCKNUT M6 A2 985
15	MA702008051	1	LOCKNUT M4 A2 985
16	MA702017014	1	RIVET NUT M6
17	MA703001042	1	WASHER M4 STEEL A2
18	MA703001048	1	WASHER M6 SS
19	MA750008065	1	TAIL LIGHT HARNESS LH
20	MA750008066	1	TAIL LIGHT HARNESS RH



E1360

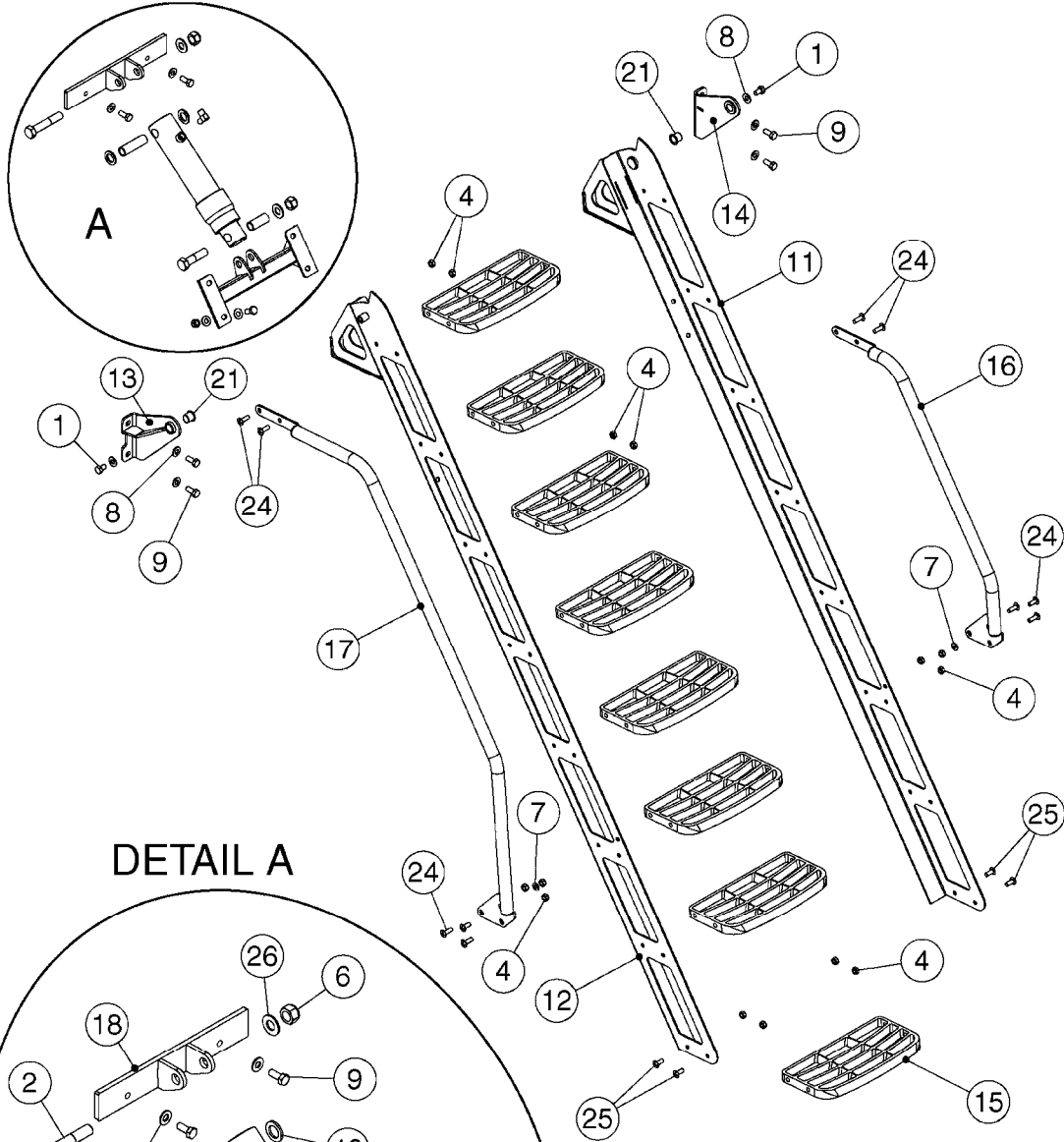


BOOM SUPPORT - RUBICON
E1360-HIN, 15:08:18

Page 1

Date 07.02.2020 8:06

Pos.	parts-n°	order qty	description
1	420604	1	BOLT HEX 8.8 DEL M10X25 FT DIN933
2	430286	1	BOLT HEX 8.8 DEL M12X30 FT
3	430507	1	BOLT HEX 8.8 DEL M16X45 FT
4	430934	1	BOLT HEX 8.8 DEL M16X80
5	460327	1	NUT HEX M16X2
6	460423	1	NUT HEX M10X1.50 LOCK DIN985A2 SS
7	460585	1	LOCKING NUT M16 DIN985 A2 SS
8	460703	1	NUT HEX M12X1.75 LOCK DIN985A2 SS
9	460806	1	NUT HEX M20X2.50 LOCK DIN985A2 SS
10	471127	1	WASHER, M12, Ø24/13X24X2.5 SS
11	471128	1	WASHER, M16, Ø30/17.0X 3.0, SS
12	MA046517000	1	RUBBER STOP
13	MA245892000	1	ALUMINUM LADDER STEP
14	MA246484000	1	RUBICON - BOOMS BRACKET BEAM
15	MA246812000	1	RUBICON - BOOM BRACKET
16	MA246813000	1	RUBICON - TRANSPORT CRADLE
17	MA246828000	1	BOOM BRACKET PAD
18	MA246832000	1	RUBICON - LEFT STOP BAR
19	MA246833000	1	RUBICON - RIGHT STOP BAR
20	MA246834000	1	RUBICON - STOP BRACKET
21	MA246835000	1	BUSHING WASHER
22	MA246837000	1	RUBICON - BOOM BRACKET GUARD
23	MA249043000	1	BOOM SUPPORT SLIDE
24	MA249044000	1	BOOM SUPPORT SLIDE
25	MA701001443	1	BOLT HEX 1"X6-1/2" 10.9 UNC
26	MA701001551	1	BOLT HEX M20X120 A2 931
27	MA701003065	1	BOLT CHC M6X25 ALLEN A2 912
28	MA701003097	1	BOLT CHC M8X30 ALLEN A2 DIN 933
29	MA701003146	1	BOLT CHC M16X30 12.9 912
30	MA701003148	1	BOLT CHC M16X50 ALLEN 8.8 912
31	MA702008002	1	LOCKNUT M6 A2 985
32	MA702008048	1	LOCKNUT 1" SS
33	MA702017011	1	RIVET NUT M8
34	MA703001048	1	WASHER M6 SS
35	MA703001079	1	WASHER M20 SS
36	MA703001126	1	WASHER
37	MA703003017	1	WASHER INT JZ16 AC 27625
38	MA707006019	1	RIVET 4.8X18X14 ALU/STEEL 7337



DETAIL A

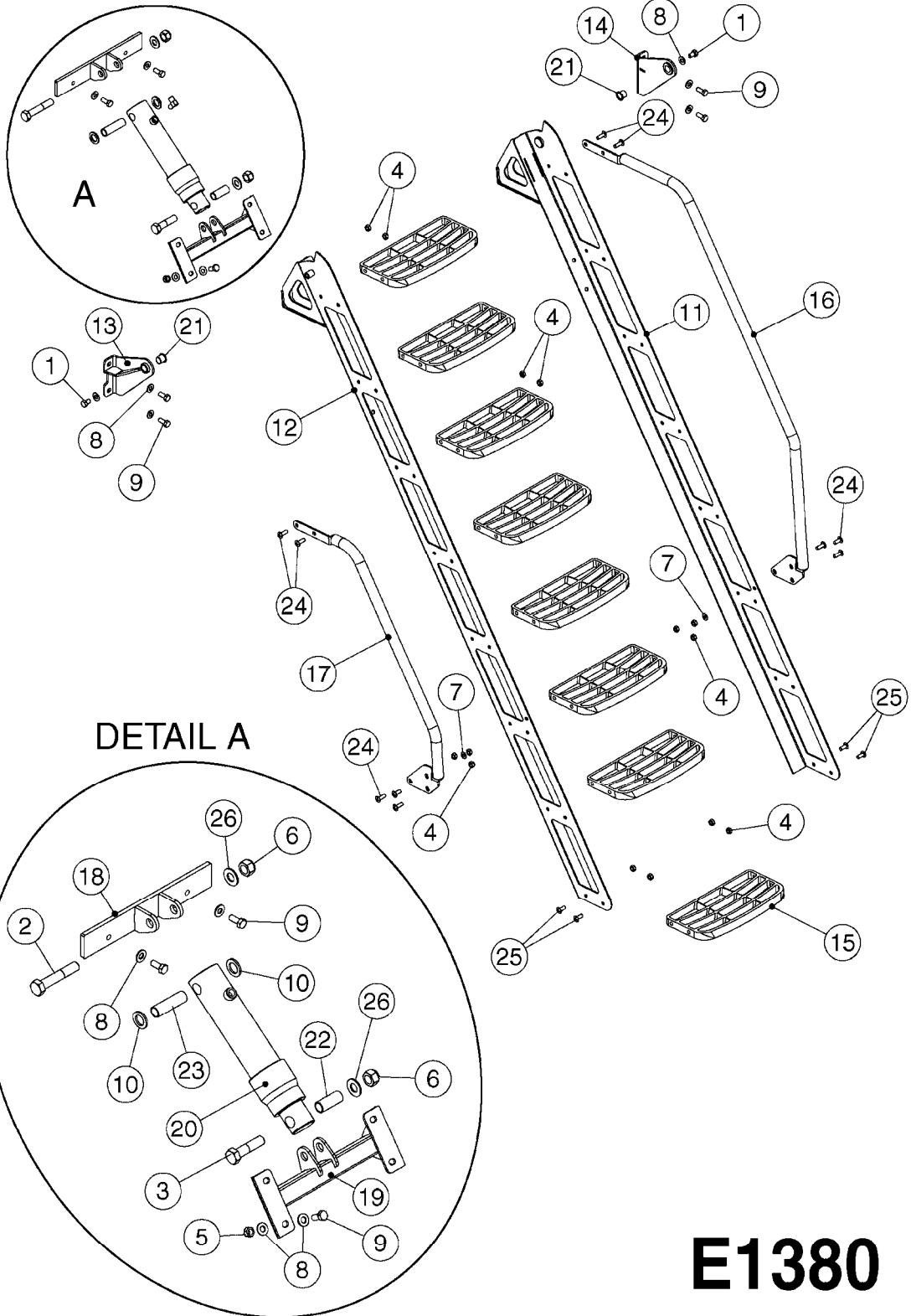
E1370



PLATFORM LADDER LEFT - RUBICON
E1370-HIN, 20:08:18

Page 1
Date 07.02.2020 8:06

Pos.	parts-n°	order qty	description
1	430662	1	BOLT HEX 8.8 DEL M12X20 FT
2	430888	1	BOLT HEX 8.8 DEL M20X130
3	430918	1	M20X100 DIN 931-8.8 DEL
4	460423	1	NUT HEX M10X1.50 LOCK DIN985A2 SS
5	460703	1	NUT HEX M12X1.75 LOCK DIN985A2 SS
6	460806	1	NUT HEX M20X2.50 LOCK DIN985A2 SS
7	471122	1	WASHER, M10, Ø20/10.5X 2.0, SS
8	471127	1	WASHER, M12, Ø24/13X24X2.5 SS
9	43099200	1	BOLT HEX SS M12 X 30 DIN933 A4
10	MA048358000	1	WASHER 40X25.2X4 HDPE
11	MA245880000	1	RUBICON - WELDED LADDER RISER, RIGHT
12	MA245881000	1	RUBICON - WELDED LADDER RISER, LEFT
13	MA245882000	1	RUBICON - LEFT LADDER BRACKET
14	MA245883000	1	RUBICON - RIGHT LADDER BRACKET
15	MA245892000	1	ALUMINUM LADDER STEP
16	MA245893000	1	RUBICON - RIGHT RAIL F.LEFT LADDER
17	MA245894000	1	RUBICON - LEFT RAIL F.LEFT LADDER
18	MA249211000	1	CYLINDER ANCHOR F.LADDER
19	MA249212000	1	WELDED CROSSBAR CONNECTION
20	MA501101200	1	CYLINDER
21	MA512004014	1	FLANGED BUSHING TU Ø20X23 LG
22	MA524003008	1	SPACER 20X25X60
23	MA524003009	1	SPACER 20X25X85
24	MA701021010	1	BOLT TBHC M10X30 A2 7380
25	MA701021011	1	BOLT TBHC M10X25 A2 7380
26	MA703001025	1	WASHER M20 STEEL ZB



E1380



PLATFORM LADDER RIGHT -
RUBICON
E1380-HIN, 20:08:18

Page 1
Date 07.02.2020 8:06

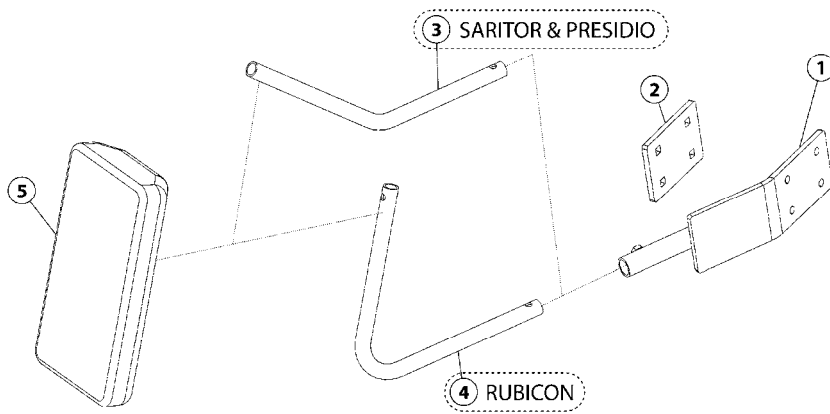
Pos.	parts-n°	order qty	description
1	430662	1	BOLT HEX 8.8 DEL M12X20 FT
2	430888	1	BOLT HEX 8.8 DEL M20X130
3	430918	1	M20X100 DIN 931-8.8 DEL
4	460423	1	NUT HEX M10X1.50 LOCK DIN985A2 SS
5	460703	1	NUT HEX M12X1.75 LOCK DIN985A2 SS
6	460806	1	NUT HEX M20X2.50 LOCK DIN985A2 SS
7	471122	1	WASHER, M10, Ø20/10.5X 2.0, SS
8	471127	1	WASHER, M12, Ø24/13X24X2.5 SS
9	43099200	1	BOLT HEX SS M12 X 30 DIN933 A4
10	MA048358000	1	WASHER 40X25.2X4 HDPE
11	MA245880000	1	RUBICON - WELDED LADDER RISER, RIGHT
12	MA245881000	1	RUBICON - WELDED LADDER RISER, LEFT
13	MA245882000	1	RUBICON - LEFT LADDER BRACKET
14	MA245883000	1	RUBICON - RIGHT LADDER BRACKET
15	MA245892000	1	ALUMINUM LADDER STEP
16	MA245989000	1	RUBICON - RIGHT RAIL F.RIGHT LADDER
17	MA245990000	1	RUBICON - LEFT RAIL F.RIGHT LADDER
18	MA249211000	1	CYLINDER ANCHOR F.LADDER
19	MA249212000	1	WELDED CROSSBAR CONNECTION
20	MA501101200	1	CYLINDER
21	MA512004014	1	FLANGED BUSHING TU Ø20X23 LG
22	MA524003008	1	SPACER 20X25X60
23	MA524003009	1	SPACER 20X25X85
24	MA701021010	1	BOLT TBHC M10X30 A2 7380
25	MA701021011	1	BOLT TBHC M10X25 A2 7380
26	MA703001025	1	WASHER M20 STEEL ZB



MIRRORS
L910-HAU, 09:05:18

Page 0

Date 07.02.2020 8:06



L910-HAU



MIRRORS
L910-HAU, 09:05:18

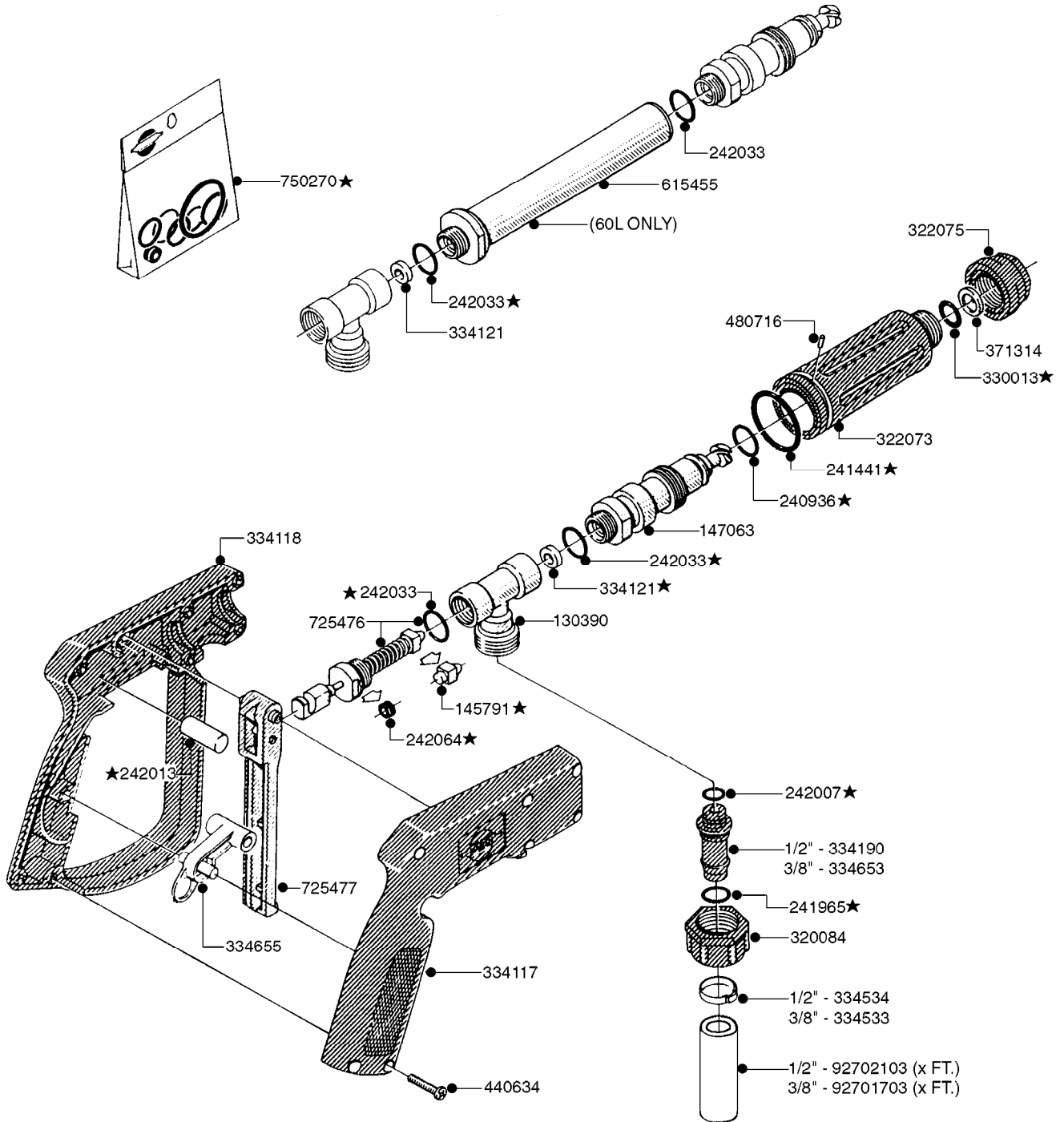
Page 1
Date 07.02.2020 8:06

Pos.	parts-n°	order qty	description
1	63059701	1	BRACKET MIRROR BOOM SARITOR
2	16346104	1	PLATE 8 X 125 X 90
3	15069801	1	BRACKET PLATE F. MIRROR BOOM SARITOR
4	15097704	1	CHS DIA.21.3 X 2.6 (15NB) X 551 LONG / 1 BEND
5	28031901	1	MIRROR, MANUAL, SARITOR



HANDGUN TYPE 60S/60L POST 95
K0480-HIN, 01:01:16

Page 0
Date 07.02.2020 8:06



COMPLETE ASSEMBLY:
843197 - 60L
843196 - 60S

COMPLETE ASSEMBLIES
WHOLEGOODS ITEMS

K0480

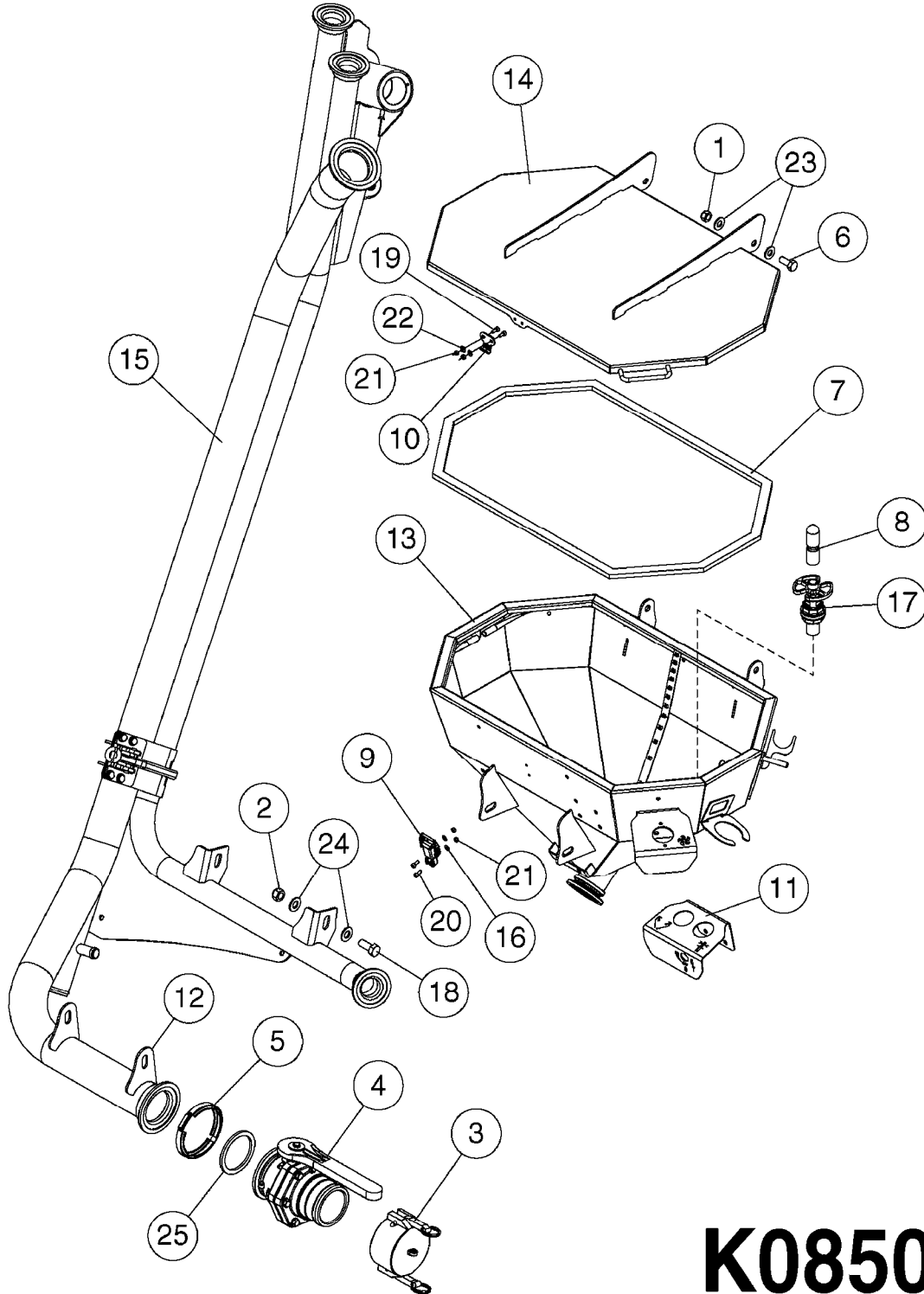


HANDGUN TYPE 60S/60L POST 95
K0480-HIN, 01:01:16

Page 1

Date 07.02.2020 8:06

parts-n°	order qty	description
130390	1	TEE 3/8'X 1/2' BSP F.TYPE 60S
145791	1	CONE FOR ON/OFF
147063	1	SWIRL F.SPRAY GUN TYPE 60
240936	1	O-RING D13.3X2.4 NITRIL
241441	1	O-RING D29.3X3
241965	1	O-RING Ø12.1 X 1.6 NITRILE
242007	1	O-RING Ø9.1 X 1.6 NITRILE
242013	1	SPRING RUBBER F/TRIGGER
242033	1	O-RING Ø14.1 X 1.6 NITRILE
242064	1	SLEEVE RUBBER 3X8X4MM
320084	1	FITT.DK NUT 1/2" BSP
322073	1	HOUSING F.SWIRL TYPE 60S H.G.
322075	1	HOUSING F. NOZZLE
330013	1	O-RING 2.5 X 10 PUR
334117	1	HANDLE PIECE RIGHT F.60S/60L
334118	1	HANDLE PIECE LEFT F.60S/60L
334121	1	SEAT FOR ON-OFF TYPE
334190	1	FITT.DK HB 1/2' F. PISTOL 60S
334533	1	CLAMP HOSE PLASTIC 3/8"
334534	1	CLAMP HOSE PLASTIC 1/2"
334653	1	FITT.DK HB 3/8' F.HANDGUN
334655	1	TRIGGER SAFETY F.60S/60L GUN
371314	1	NOZZLE CERAMIC 1099-20
440634	1	SCREW 5/8"
480716	1	PIN D3X6 STAINLESS
615455	1	TUBE F.LANCE TYPE 60L
725476	1	SPINDLE
725477	1	TRIGGER
750270	1	GASKET KIT F.SPRAY GUN
843196	1	SPRAY GUN KIT TYPE 60 SHORT
843197	1	HANDGUN KIT TYPE 60 LONG
92701703	1	HOSE R X3/8" X300PSI WP X0012"
92702103	1	HOSE R X1/2" X300PSI WP X0012"



K0850



CHEM.FILLER RUBICON A
K0850-HIN, 02:05:18

Page 1

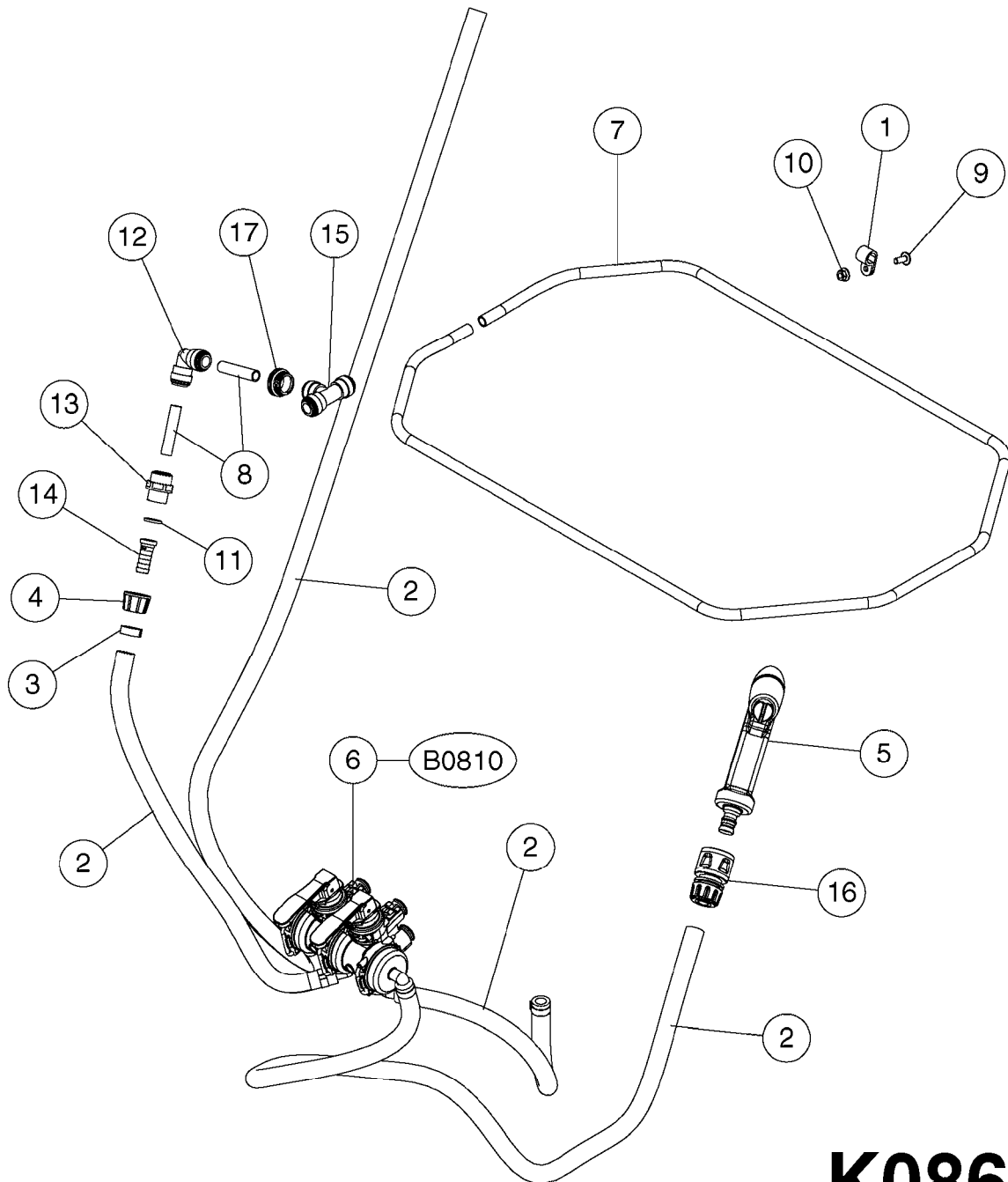
Date 07.02.2020 8:06

Pos.	parts-n°	order qty	description
1	460703	1	NUT HEX M12X1.75 LOCK DIN985A2 SS
2	461253	1	NUT HEX M14 NV=22 A4 RST
3	28029703	1	CAP F.MALE QUICK COUPLER 3"
4	28034103	1	BALL VALVE BANJO 3" FLG.xMALE
5	28034203	1	CLAMP F. 3" BANJO FLANGE
6	43099200	1	BOLT HEX SS M12 X 30 DIN933 A4
7	MA236845000	1	ADHESIVE FOAM TAPE 20X10 7 FEET NEEDED
8	MA238246000	1	BOTTLE RINSE NOZZLE
9	MA245553000	1	LATCH F.CHEMFILL LID
10	MA245554000	1	CATCH F.LATCH CHEMFILL
11	MA245934000	1	SUPPORT PLATE F.CHEMFILL VALVE
12	MA247459000	1	HOOK F.SUCTION TUBE
13	MA247914000	1	CHEMFILL HOPPER, 60L SS
14	MA247915000	1	LID F.HOPPER, 60L SS
15	MA247916000	1	RUBICON CHEMFILLER ARM SS
16	MA247922008	1	WASHER 25X50X4
17	MA534011002	1	ACTUATOR, BOTTLE RINSE
18	MA701001553	1	BOLT HEX M14X35 A2 931
19	MA701003025	1	BOLT M5X12 A2 912
20	MA701003030	1	BOLT M5X20 A2 912
21	MA702008004	1	LOCKNUT, M5 A2 985
22	MA703001046	1	WASHER M5 SS
23	MA703001118	1	WASHER M12 DD BLACK AC
24	MA703001125	1	WASHER M14 SS
25	MA705010001	1	GASKET F. 3" BANJO FLANGE VITON



CHEM. FILLER RUBICON B
K0860-HIN, 10:07:18

Page	0
Date	07.02.2020 8:06



K0860



CHEM.FILLER RUBICON B
K0860-HIN, 10:07:18

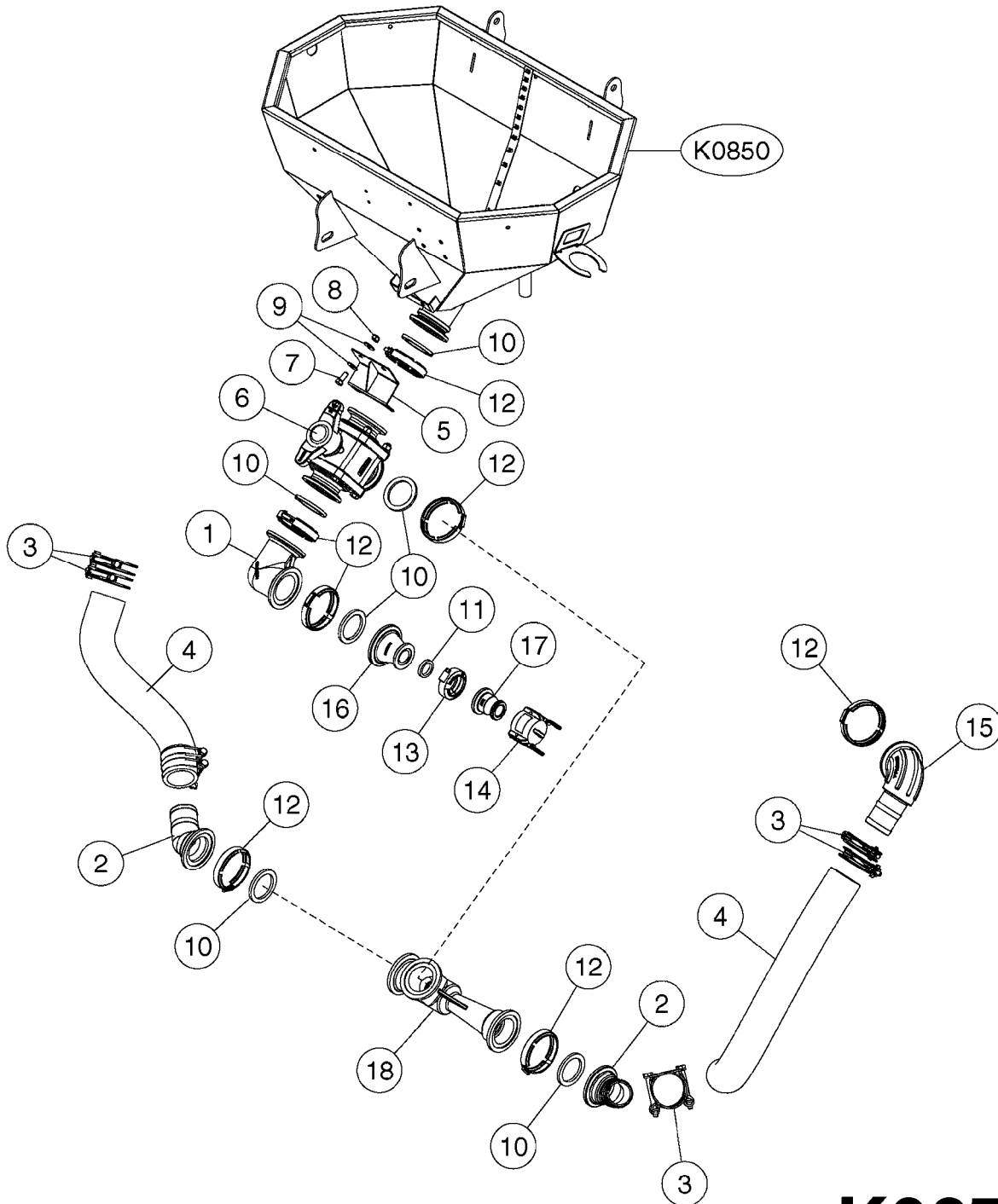
Page 1

Date 07.02.2020 8:06

Pos.	parts-n°	order qty	description
1	MA162949000	1	TUBE FASTENER
2	MA237313000	1	TRESS NOBEL HOSE Ø20X12
3	MA237726000	1	CLICK CLAMP N°86-195
4	MA237734000	1	PLASTIC NUT D20
5	MA244982003	1	RINSE GUN
6	MA247992000	1	MANUAL INDUCTION VALVE
7	MA247997000	1	RINSING TUBE, HOPPER
8	MA506004100	1	HOSE D12
9	MA701022004	1	BOLT RLS M6X16 A2 25 129
10	MA702010001	1	FLANGE NUT M06 A2 6923
11	MA705010008	1	FLAT GASKET G1/2"
12	MA718002004	1	HOSE CONNECTOR ELBOW D12
13	MA718013017	1	SINGLE MALE UNION
14	MA718014019	1	FITT.G1/2" STR.
15	MA718017013	1	QUICK COUPLER TEE D12
16	MA718031001	1	QUICK COUPLER W/VALVE
17	MA722001007	1	ADJUSTABLE THREAD GUIDE D22



CHEM. FILLER RUBICON C
K0870-HIN, 03:05:18



K0870



CHEM.FILLER RUBICON C
K0870-HIN, 03:05:18

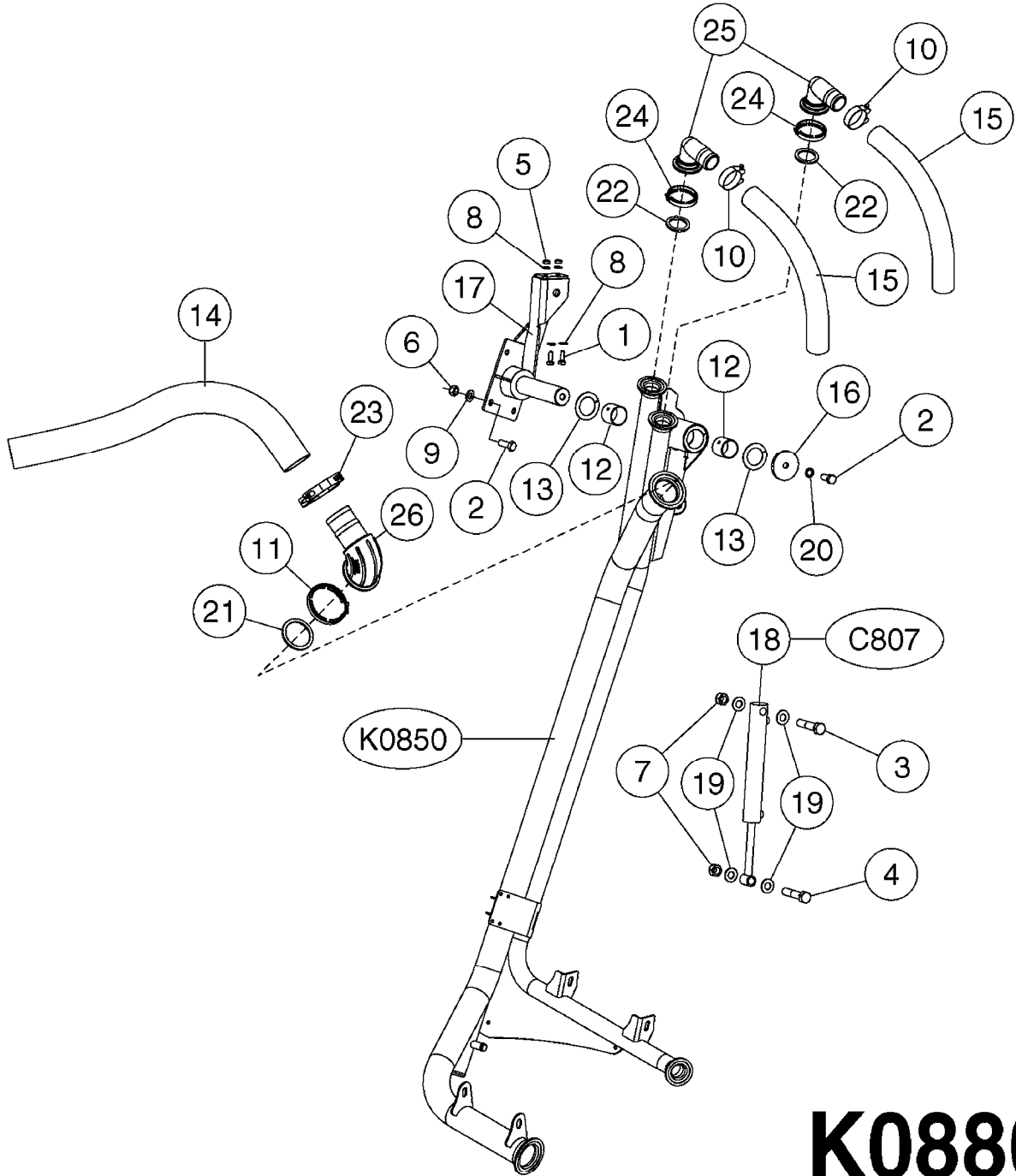
Page 1
Date 07.02.2020 8:06

Pos.	parts-n°	order qty	description
1	28091203	1	COUPLING, BANJO, 2", FLANGE, 90
2	28091303	1	FITT. BANJO, 2", 220F-45°, M220BRB45
3	MA237524000	1	DOUBLE WIRE HOSE CLAMP Ø63-68
4	MA240549000	1	HOSE Ø50X65 OSM II / REV.:A
5	MA251231000	1	SUPPORT F.LOWER CHEMFILL VALVE
6	MA534003019	1	VALVE 3-WAY 2" FP
7	MA701001071	1	BOLT HEX M8X20 A2 933
8	MA702008016	1	LOCKNUT M8 A2 985
9	MA703001006	1	WASHER L8 SS
10	MA705010002	1	GASKET F. 2" FP BANJO FLANGE VITON
11	MA705010005	1	GASKET F.1" BANJO FLANGE VITON
12	MA715011002	1	CLAMP F.2" FP BANJO FLANGE
13	MA715011004	1	CLAMP F.1" BANJO FLANGE
14	MA718000020	1	CAP F.MALE QUICK COUPLER 1"
15	MA718022019	1	FITT. 2" FP FLANGE - 2" HOSE
16	MA718023007	1	FITT. REDUCER 2" FP TO 1"
17	MA718024014	1	COUPLER, 1", MALE, FLANGED
18	MA718030001	1	MANIFOLD, INDUCTOR - FULL PORT, 2"



CHEM. FILLER RUBICON D
K0880-HIN, 07:05:18

Page 0
Date 07.02.2020 8:06



K0880

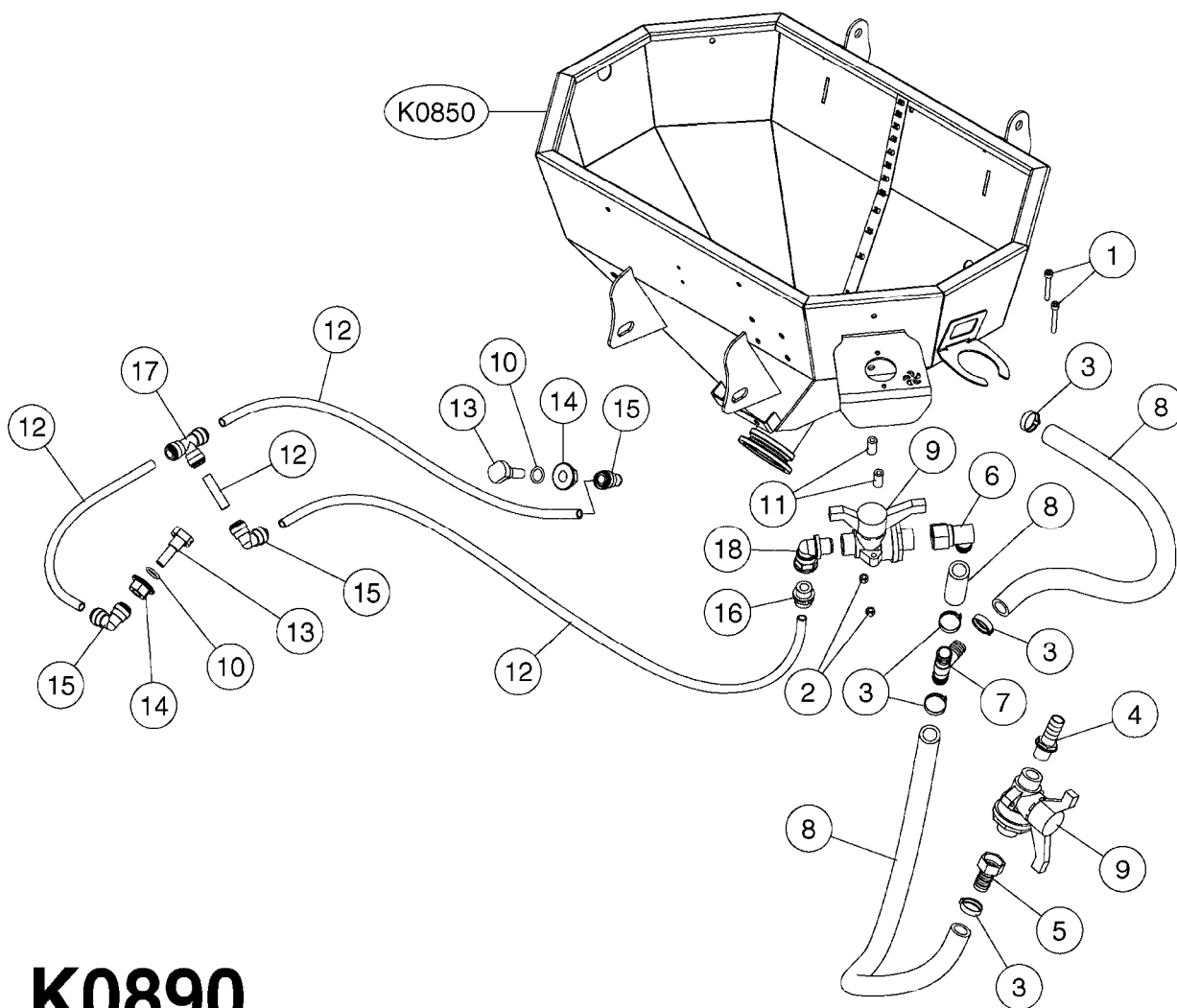


CHEM. FILLER RUBICON D
K0880-HIN, 07:05:18

Page 1

Date 07.02.2020 8:06

Pos.	parts-n°	order qty	description
1	421002	1	BOLT HEX 8.8 DEL M10X30 FT DIN933
2	430581	1	BOLT HEX 8.8 DEL M16X40 FT
3	430910	1	BOLT HEX 8.8 DEL M20X110
4	430918	1	M20X100 DIN 931-8.8 DEL
5	460423	1	NUT HEX M10X1.50 LOCK DIN985A2 SS
6	460585	1	LOCKING NUT M16 DIN985 A2 SS
7	460806	1	NUT HEX M20X2.50 LOCK DIN985A2 SS
8	471122	1	WASHER, M10, Ø20/10.5X 2.0, SS
9	471128	1	WASHER, M16, Ø30/17.0X 3.0, SS
10	28030203	1	CLAMP HOSE T-BOLT S2" 235-67
11	28034203	1	CLAMP F. 3" BANJO FLANGE
12	MA231183000	1	SLEEVE 50X50
13	MA231184000	1	WASHER WC 50
14	MA240470000	1	HOSE Ø76x89 R4 D.76x89
15	MA240549000	1	HOSE Ø50X65 OSM II / REV.:A
16	MA247920000	1	WASHER D85/D17 X 8
17	MA251280000	1	SWIVEL ARM SS
18	MA501202000	1	CYLINDER Ø20/40 S.136
19	MA703001025	1	WASHER M20 STEEL ZB
20	MA703002027	1	WASHER TOOTH LOCK EXT AZ16 AC ZB 276
21	MA705010001	1	GASKET F. 3" BANJO FLANGE VITON
22	MA705010002	1	GASKET F. 2" FP BANJO FLANGE VITON
23	MA715006017	1	JOINT BOLT CLAMP
24	MA715011002	1	CLAMP F.2" FP BANJO FLANGE
25	MA718022008	1	FITT.2" FP FLANGE X 2" 90° ELBOW
26	MA718022020	1	FITT.3" FLANGE 90° SWEEP DN75



K0890



CHEM.FILLER RUBICON E
K0890-HIN, 10:05:18

Page 1

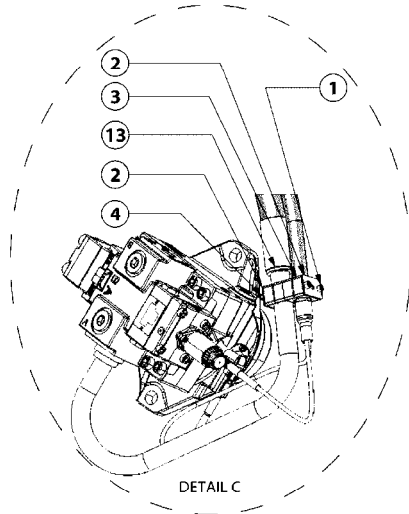
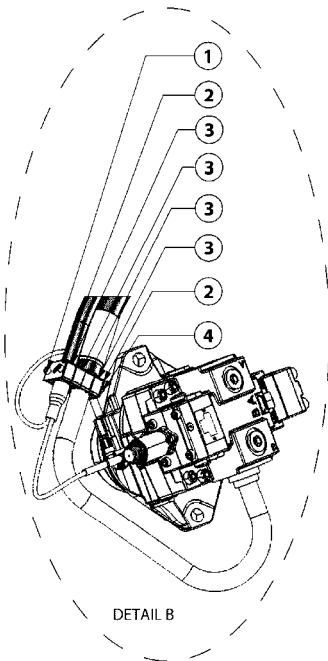
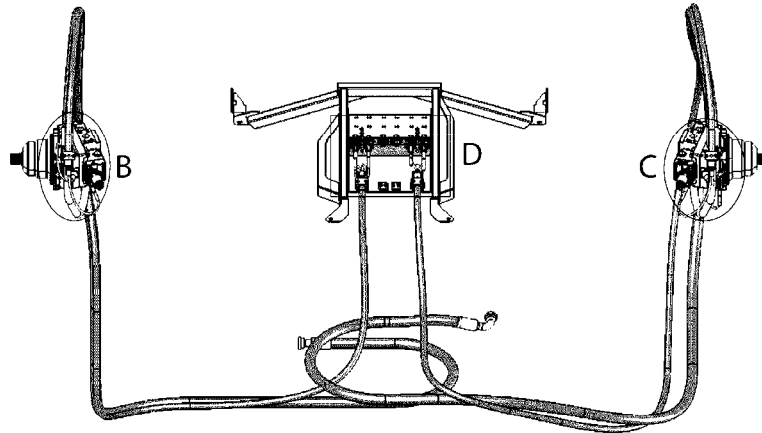
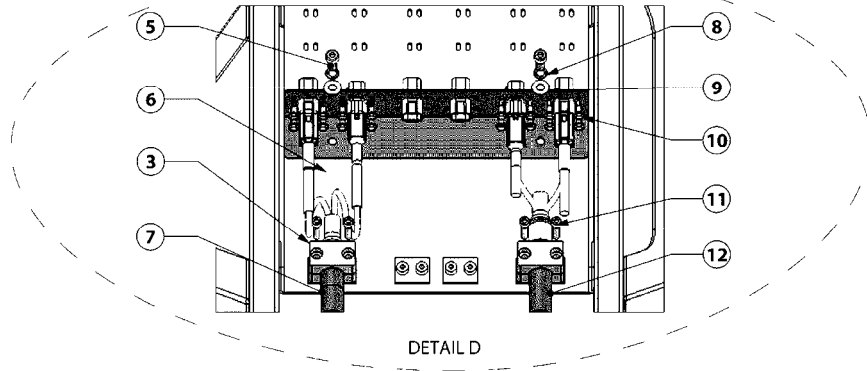
Date 07.02.2020 8:06

Pos.	parts-n°	order qty	description
1	450402	1	BOLT HEX M6X50
2	460261	1	NUT HEX M6X1.00 LOCK DIN985 A2 SS
3	28030003	1	CLAMP HOSE GEAR P1" 6716
4	MA237151000	1	FITT.1/2" MALE
5	MA237210000	1	FITT. 3/4" FEMALE Ø20
6	MA237212000	1	FITT. 3/4" FEMALE 90° ELBOW
7	MA237254000	1	MALE TEE 20X20X20
8	MA237311000	1	TRESS NOBEL HOSE Ø28xØ19
9	MA237751000	1	2-WAY VALVE 3/4" - 1/2" F
10	MA237905000	1	O-RING 16X3 NITRIL 72 SH
11	MA247922009	1	SPACER SS
12	MA506004100	1	HOSE D12
13	MA534031001	1	M16 RINSE NOZZLE
14	MA702010006	1	M16 FLANGE NUT
15	MA718002004	1	HOSE CONNECTOR ELBOW D12
16	MA718013017	1	SINGLE MALE UNION
17	MA718017013	1	QUICK COUPLER TEE D12
18	MA718028001	1	FITT. 3/4" M/F 90° ELBOW



REAR ADJ. TRACK ELECTRICAL -
RUBICON
M800-HAU, 19:04:17

Page 0
Date 07.02.2020 8:06



M800-HAU

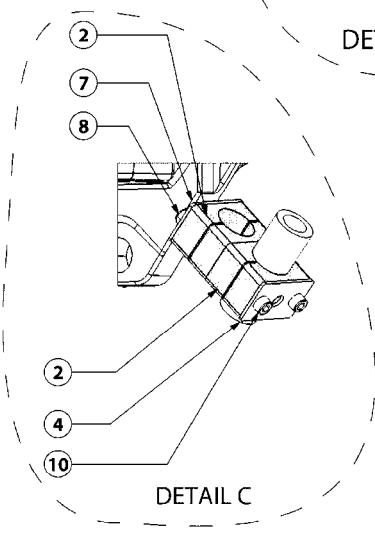
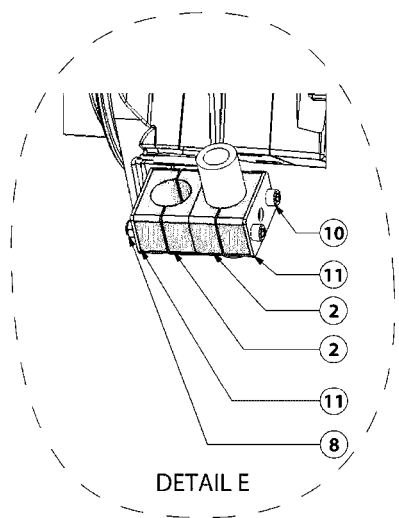
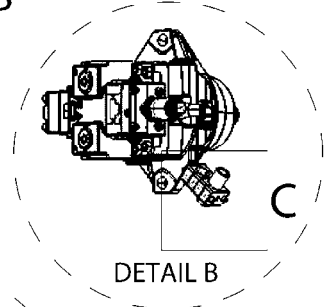
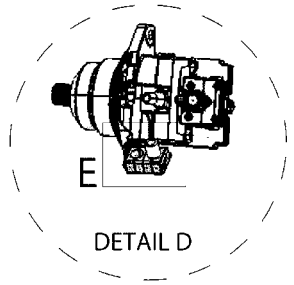
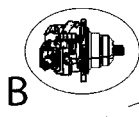
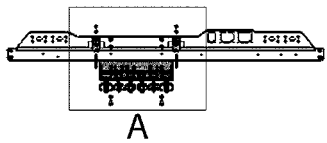
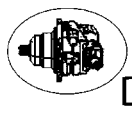
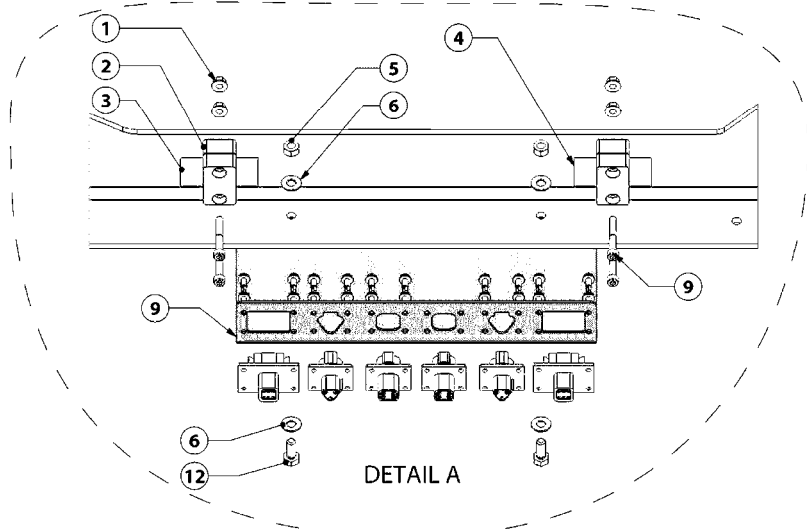


REAR ADJ.TRACK ELECTRICAL -
RUBICON
M800-HAU, 19:04:17

Page 1

Date 07.02.2020 8:06

Pos.	parts-n°	order qty	description
1	MA701003278	1	BOLT CHC M6X80 ALLEN A2 DIN 912
2	MA715010002	1	Mounting clamp protecting plate d20
3	MA161302000	1	CLAMP, MOUNTING, D25
4	MA702008002	1	LOCKNUT M6 A2 985
5	MA701003090	1	BOLT CHC M8x20 ALLEN A2
6	MA702017013	1	BLIND RIVET NUT M8
7	MA750008032	1	Left rear hydraulic motor harness
8	MA703002024	1	Washer ext AZ08 ac ZB 27625
9	MA703001053	1	WASHER M8 SS
10	MA701016001	1	Screw H autoperc ST4,8x16
11	MA701003069	1	BOLT CHC M6X30 ALLEN A2 912
12	MA750008031	1	Right rear hydraulic motor harness
13	MA511823701	1	HY.HO. 6000 PSI L=5560 90°-145°&77°



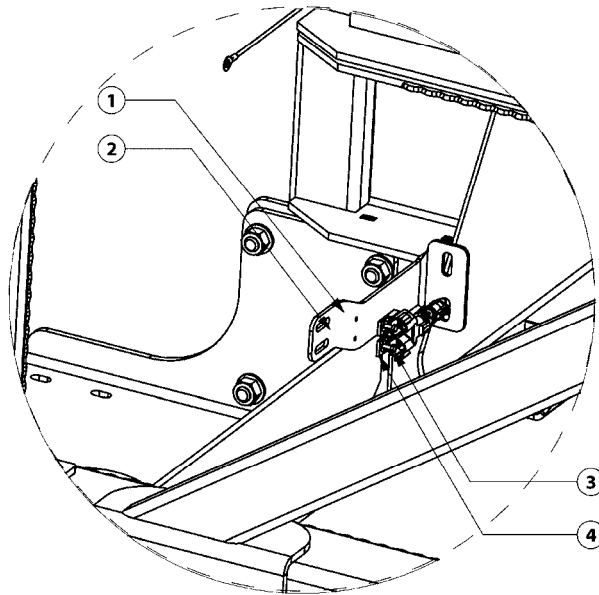
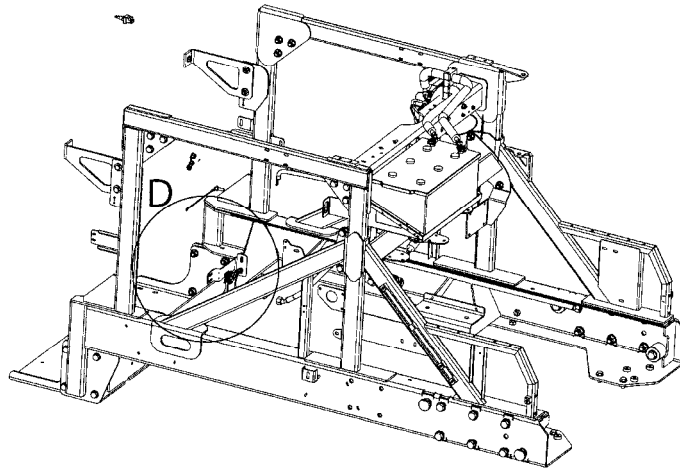
M801-HAU



FRONT ADJ. TRACK ELECTRICAL -
RUBICON
M801-HAU, 19:04:17

Page 1
Date 07.02.2020 8:06

Pos.	parts-n°	order qty	description
1	MA702010007	1	FLANGE NUT M6 A2 6923 NYLOCK
2	MA161302000	1	CLAMP, MOUNTING, D25
3	MA750008022	1	Left front hydraulic motor harness
4	MA750008021	1	Right front hydraulic motor harness
5	MA702008016	1	LOCKNUT M8 A2 985
6	MA703001053	1	WASHER M8 SS
7	MA510122006	1	MOTOR H1 110 CC
8	MA702008002	1	LOCKNUT M6 A2 985
9	MA701003226	1	Screw CHc M06x045 A2 912
10	MA701003278	1	BOLT CHC M6X80 ALLEN A2 DIN 912
11	MA715010002	1	Mounting clamp protecting plate d20
12	MA701001071	1	BOLT HEX M8X20 A2 933



DETAIL D

M802-HAU

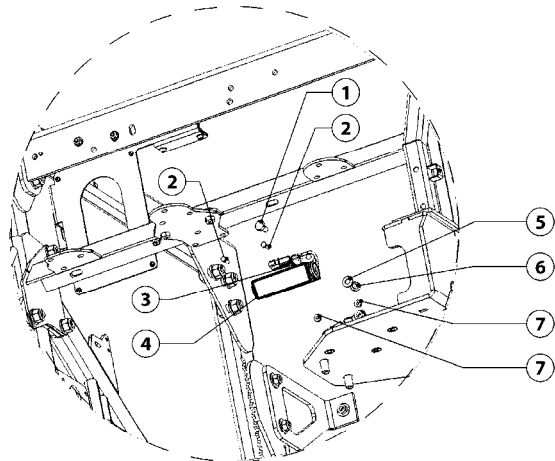
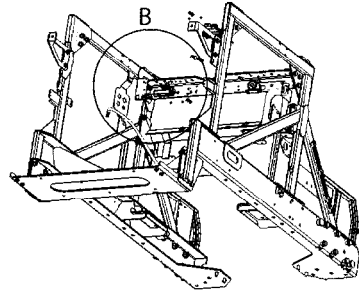
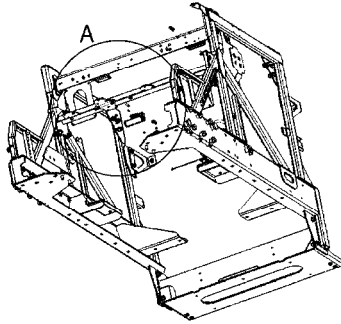


ENGINE CHASSIS ELECTRICAL
EQUIPMENT - RUBICON
M802-HAU, 19:04:17

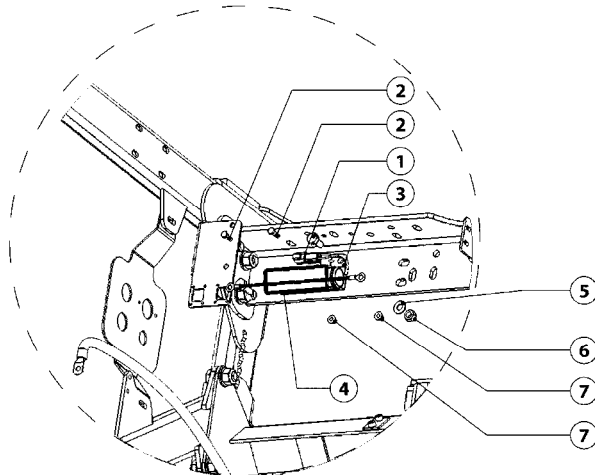
Page 1

Date 07.02.2020 8:06

Pos.	parts-n°	order qty	description
1	MA703001042	1	WASHER M4 STEEL A2
2	MA702002057	1	Nut H M04 inox A2
3	MA701001025	1	Screw H M04x012 A2 933
4	MA243432000	1	DEUTSCH CONNECTOR BRACKET



DETAIL A



DETAIL B

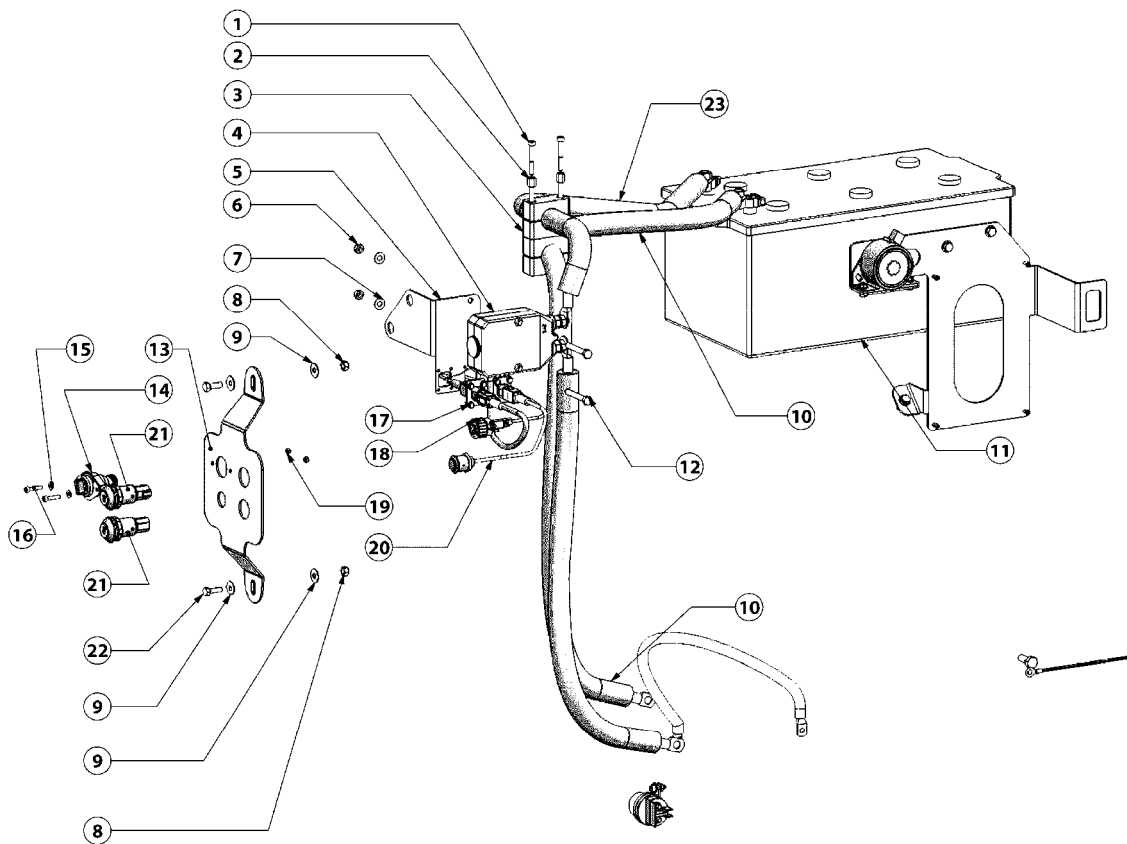
M803-HAU



ENGINE CHASSIS ELECTRICAL
EQUIPMENT - RUBICON
M803-HAU, 19:04:17

Page 1
Date 07.02.2020 8:06

Pos.	parts-n°	order qty	description
1	MA701001145	1	Screw H M10x025 A2 933
2	MA701001051	1	Screw H M06x020 A2 933
3	MA176635000	1	MOUNTING CLIP DEUTSCH
5	MA703001059	1	WASHERS M10 STEEL ZB
6	MA702008019	1	AUTO LOCKNUT M10 A2 985
7	MA702010007	1	FLANGE NUT M6 A2 6923 NYLOCK



M805-HAU

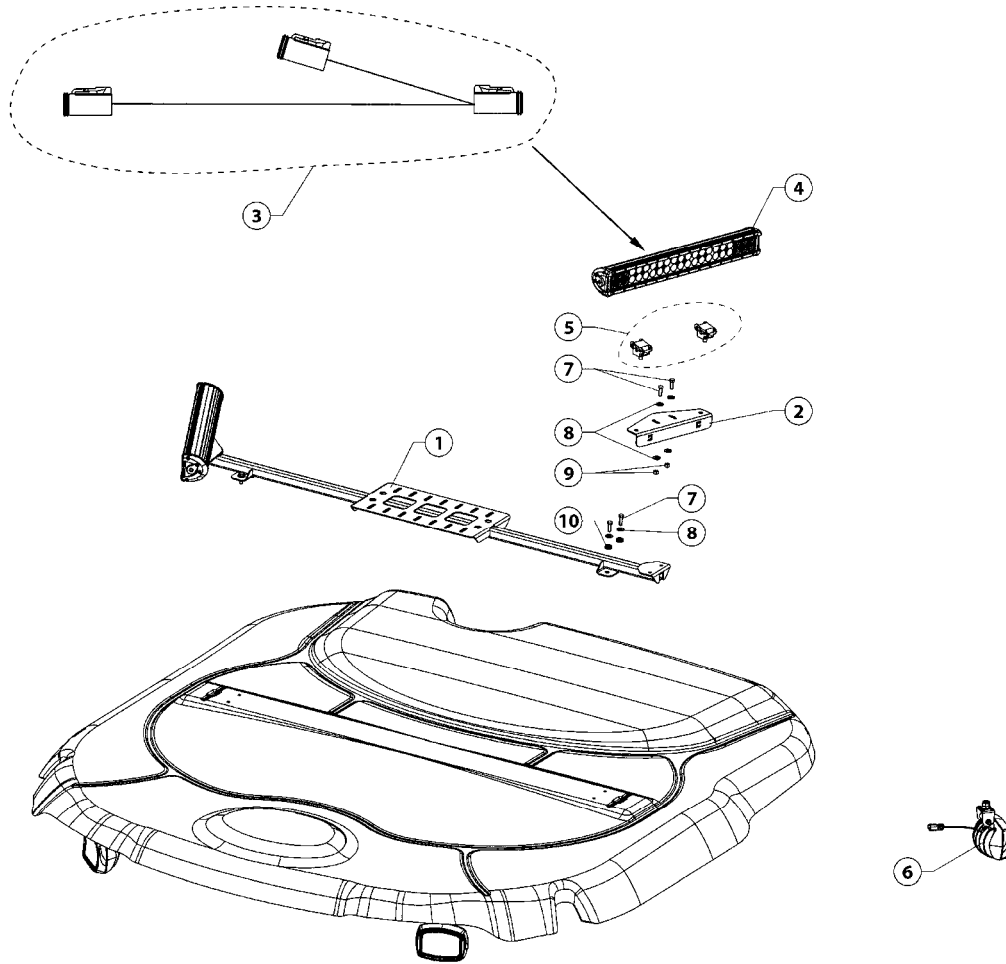


ENGINE CHASSIS ELECTRICAL
EQUIPMENT - RUBICON
M805-HAU, 19:04:17

Page 1

Date 07.02.2020 8:06

Pos.	parts-n°	order qty	description
1	MA701003075	1	Screw CHc M06x050 8.8 ZB 912
2	MA161888000	1	BOLT M6X50 AF MODULE 5 STAUFF
3	MA161369000	1	MOUNTING CLAMP Ø40
4	MA750008026	1	Equipped battery isolator
5	MA246470000	1	Engine case skeleton
6	MA702008016	1	LOCKNUT M8 A2 985
7	MA703001053	1	WASHER M8 SS
8	MA702008001	1	AUTO LOCKNUT M8 AC8 ZB 985
9	MA703001007	1	Washer plate L08 steel ZB
10	MA750008014	1	From battery to starter ground cable
11	MA243697000	1	BATTERY 12V 230Ah
12	MA701001093	1	Screw H M08x060 A2 933
13	MA243707000	1	Contactors bracket
14	MA243704000	1	Switch on-off
15	MA703001046	1	WASHER M5 SS
16	MA701003032	1	Screw CHc M05x025 A2 912
17	MA701016001	1	Screw H autoperc ST4,8x16
18	MA750008027	1	PLUG F.ON/OFF SWITCH / REV.:A
19	MA702008004	1	LOCKNUT, M5 A2 985
20	MA750008034	1	ENGINE LIGHT SWITCH
21	MA243585000	1	ARROW SYMBOL SWITCH
22	MA701001074	1	BOLT H M8X25 8.8 ZB 933
23	MA750008012	1	From battery to isolator cable



M810-HAU

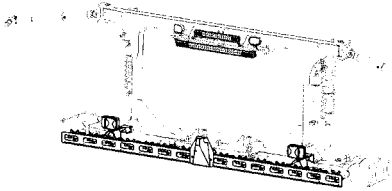
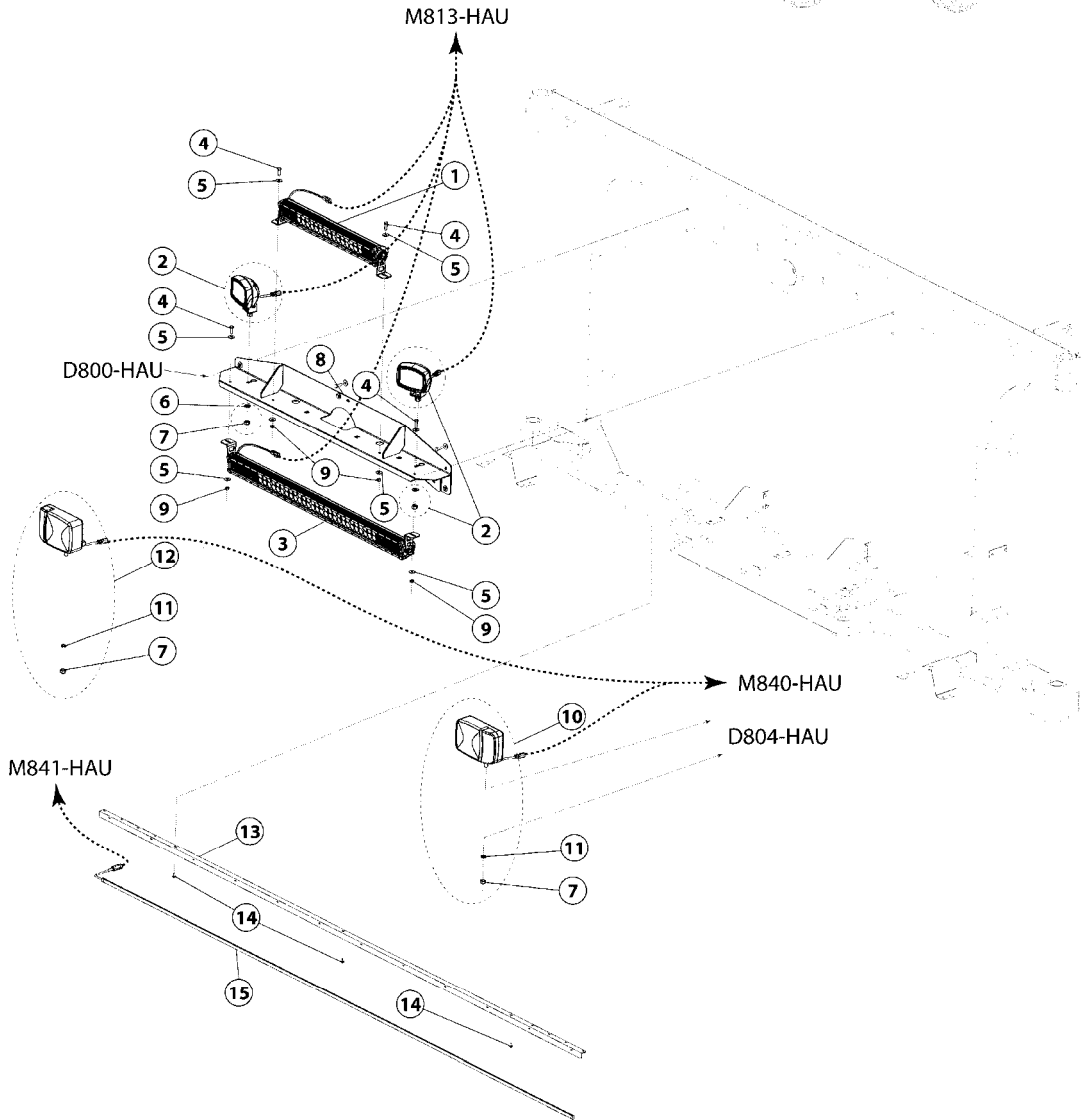
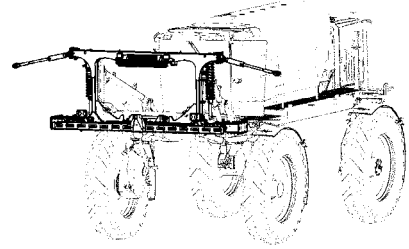


LIGHT ASSEMBLY ROOF - RUBICON
M810-HAU, 25:05:17

Page 1

Date 07.02.2020 8:06

Pos.	parts-n°	order qty	description
1	63089204	1	LIGHTING AND GPS MOUNT ASSEMBLY - CABIN ROOF
2	16378904	1	PLATE 3 X 280 X 130 / 1 BEND
3	26055604	1	WIRING LOOM - RUBICON - CABIN ROOF LIGHTING - 01
4	26049104	1	L.E.D. LIGHT BAR - 24"
5	26049204	1	L.E.D. LIGHT BAR - RAIL MOUNT
6	26049304	1	L.E.D. FLOODBEAM - 4800 LUMEN
7	421046	1	BOLT HEX M8X25/25 A2 SS DIN933
8	471132	1	WASHER D24/D8.4 X 2 SS
9	460143	1	SELF LOCK NUT M8 SST A2 DIN985
10	24007904	1	RUBBER GROMMET - NITRILE - CODED 12-J-16



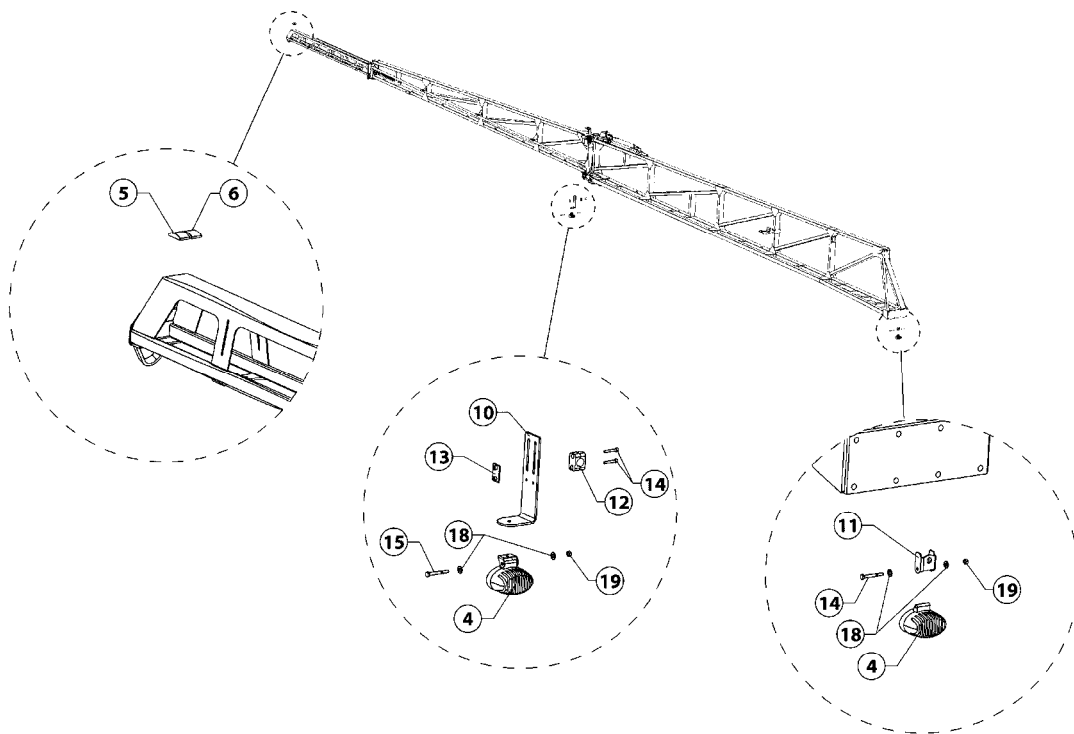
M811-HAU



CENTER LIGHT ASSEMBLY -
RUBICON
M811-HAU, 18:01:18

Page 1
Date 07.02.2020 8:06

Pos.	parts-n°	order qty	description
1	26049104	1	L.E.D. LIGHT BAR - 24"
2	72388804	1	L.E.D. FLOODBEAM - 4800 LUMEN - ASSEMBLY
3	26049004	1	L.E.D. LIGHT BAR - 42"
4	421046	1	BOLT HEX M8X25/25 A2 SS DIN933
5	471132	1	WASHER D24/D8.4 X 2 SS
6	471127	1	WASHER, M12, Ø24/13X24X2.5 SS
7	460703	1	NUT HEX M12X1.75 LOCK DIN985A2 SS
8	63089304	1	LIGHTING MOUNT ASSEMBLY - CENTRE - RUBICON
9	460143	1	SELF LOCK NUT M8 SST A2 DIN985
10	MA243416000	1	Left working light w/ Deutsch connecto
11	470455	1	WASHER D12 SPRING
12	MA243415000	1	Right working light w/ Deutsch connect
13	15097304	1	15097304
14	480804	1	RIVET Ø4.8x14.5
15	26125104	1	L.E.D. BLUE STRIP LIGHT L=2900



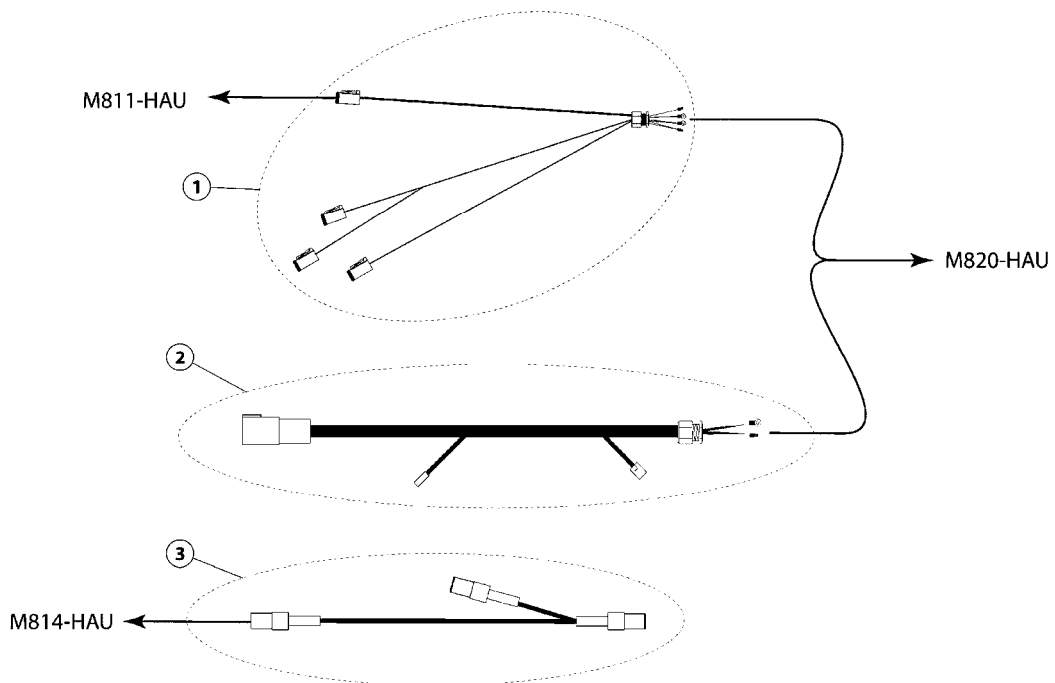
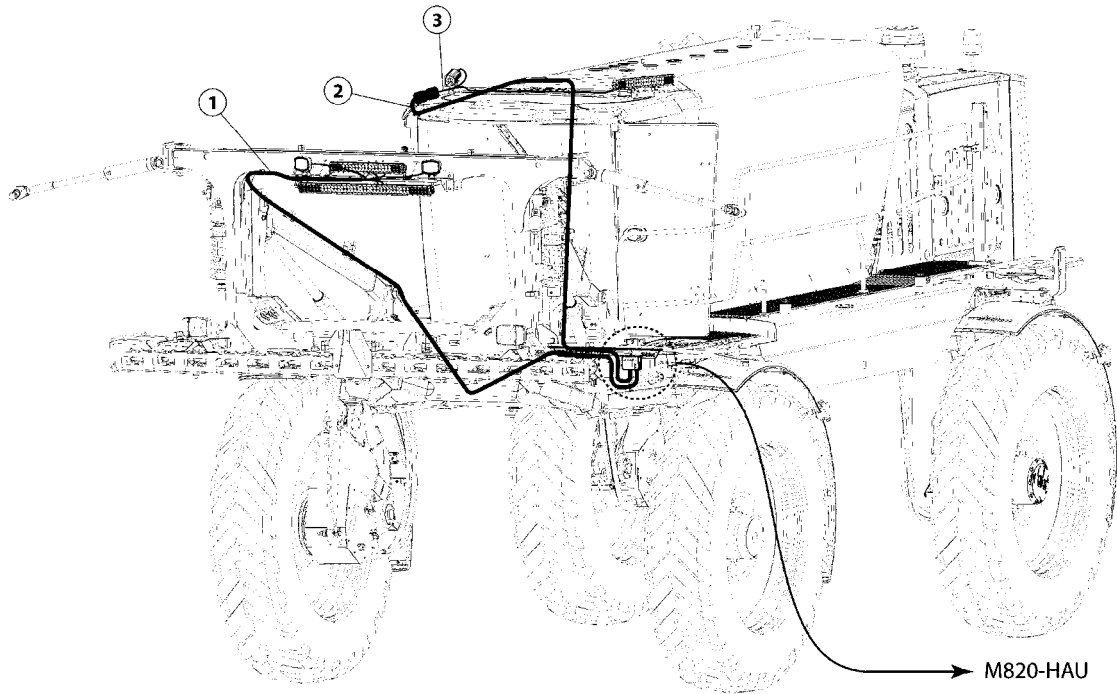
M812-HAU



RUBICON - BOOM LIGHT
ASSEMBLIES
M812-HAU, 12:01:18

Page 1
Date 07.02.2020 8:06

Pos.	parts-n°	order qty	description
4	72389004	1	L.E.D. TWIN BLUE BEAM - ASSEMBLY
5	72389404	1	L.E.D. MARKER LIGHT - AMBER - ASSEMBLY
6	72389304	1	L.E.D. MARKER LIGHT - RED - ASSEMBLY
10	16388704	1	ALUMINIUM PLATE 5 X 354 X 70 / 1 BEND
11	16379704	1	PLATE 3 X 100 X 60 / 2 BENDS
12	786869	1	CLAMP 325 BLACK
13	786830	1	PLATE
14	43005204	1	SOCKET HD SCREW M6 X 45 G304
15	421201	1	BOLT HEX 8.8 DEL M8X70
18	471126	1	WASHER, M8, Ø16/ 8.4X 1.6, SS
19	460143	1	SELF LOCK NUT M8 SST A2 DIN985



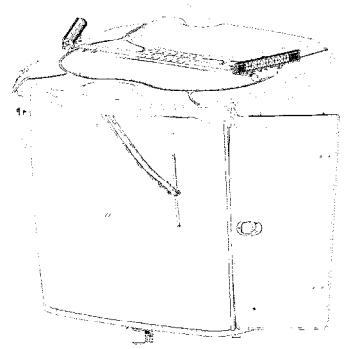
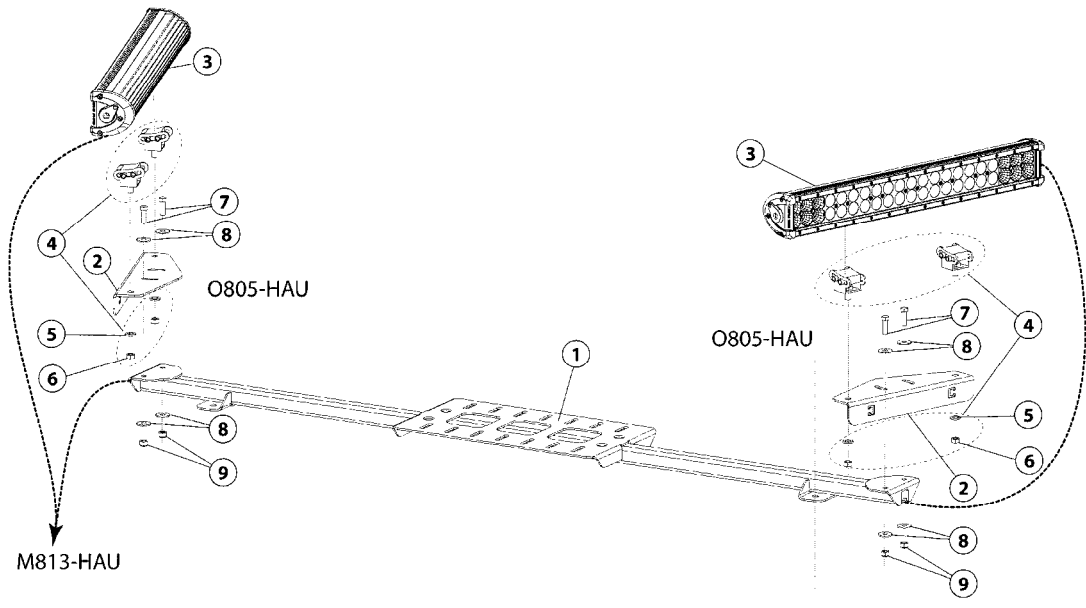
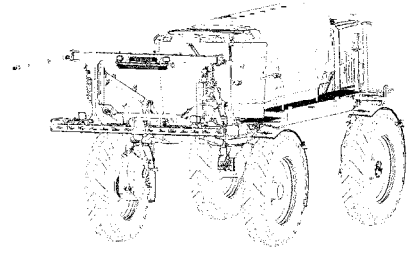
M813-HAU



CENTER & ROOF LIGHTING
HARNESSES - RUBICON
M813-HAU, 12:01:18

Page 1
Date 07.02.2020 8:06

Pos.	parts-n°	order qty	description
1	26054604	1	RUBICON: MAIN WORK AND DRIVING LIGHT HARNESS
2	26056404	1	WIRING LOOM - RUBICON - CABIN ROOF LIGHTING - 02
3	26055604	1	WIRING LOOM - RUBICON - CABIN ROOF LIGHTING - 01



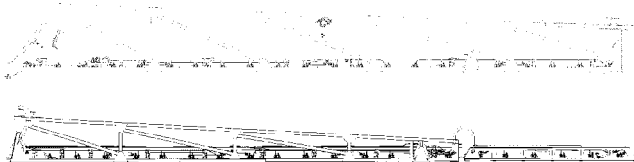
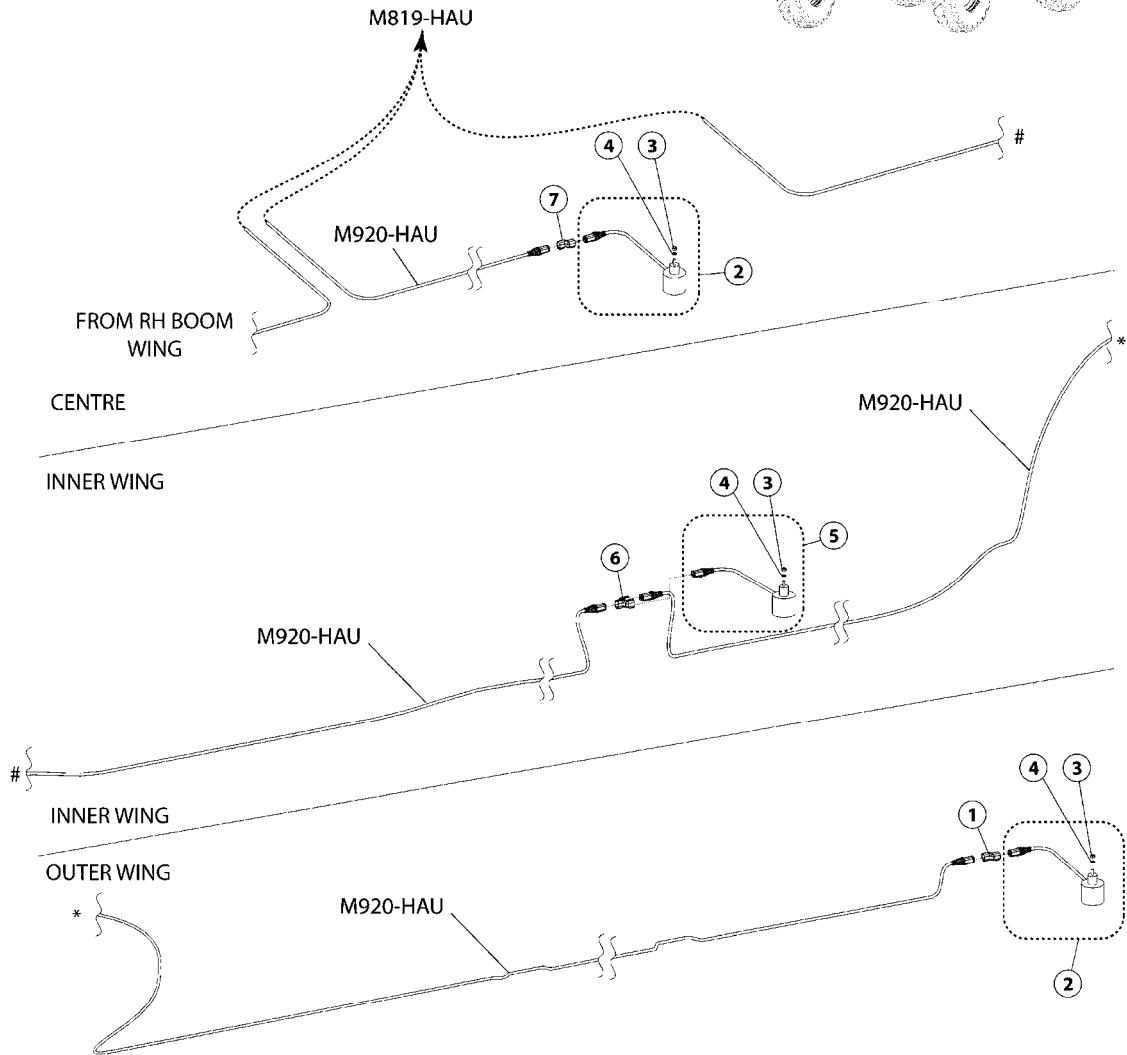
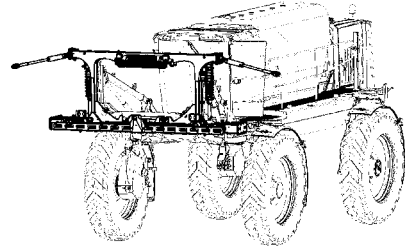
M814-HAU



CAB ROOF LIGHT ASSEMBLY -
RUBICON
M814-HAU, 12:01:18

Page 1
Date 07.02.2020 8:06

Pos.	parts-n°	order qty	description
1	63089204	1	LIGHTING AND GPS MOUNT ASSEMBLY - CABIN ROOF
2	16378904	1	PLATE 3 X 280 X 130 / 1 BEND
3	26049104	1	L.E.D. LIGHT BAR - 24"
4	26049204	1	L.E.D. LIGHT BAR - RAIL MOUNT
5	470127	1	WASHER D15D10X2 M10 LOCK
6	460342	1	NUT HEX M10 DEL DIN934
7	421046	1	BOLT HEX M8X25/25 A2 SS DIN933
8	471132	1	WASHER D24/D8.4 X 2 SS
9	460143	1	SELF LOCK NUT M8 SST A2 DIN985



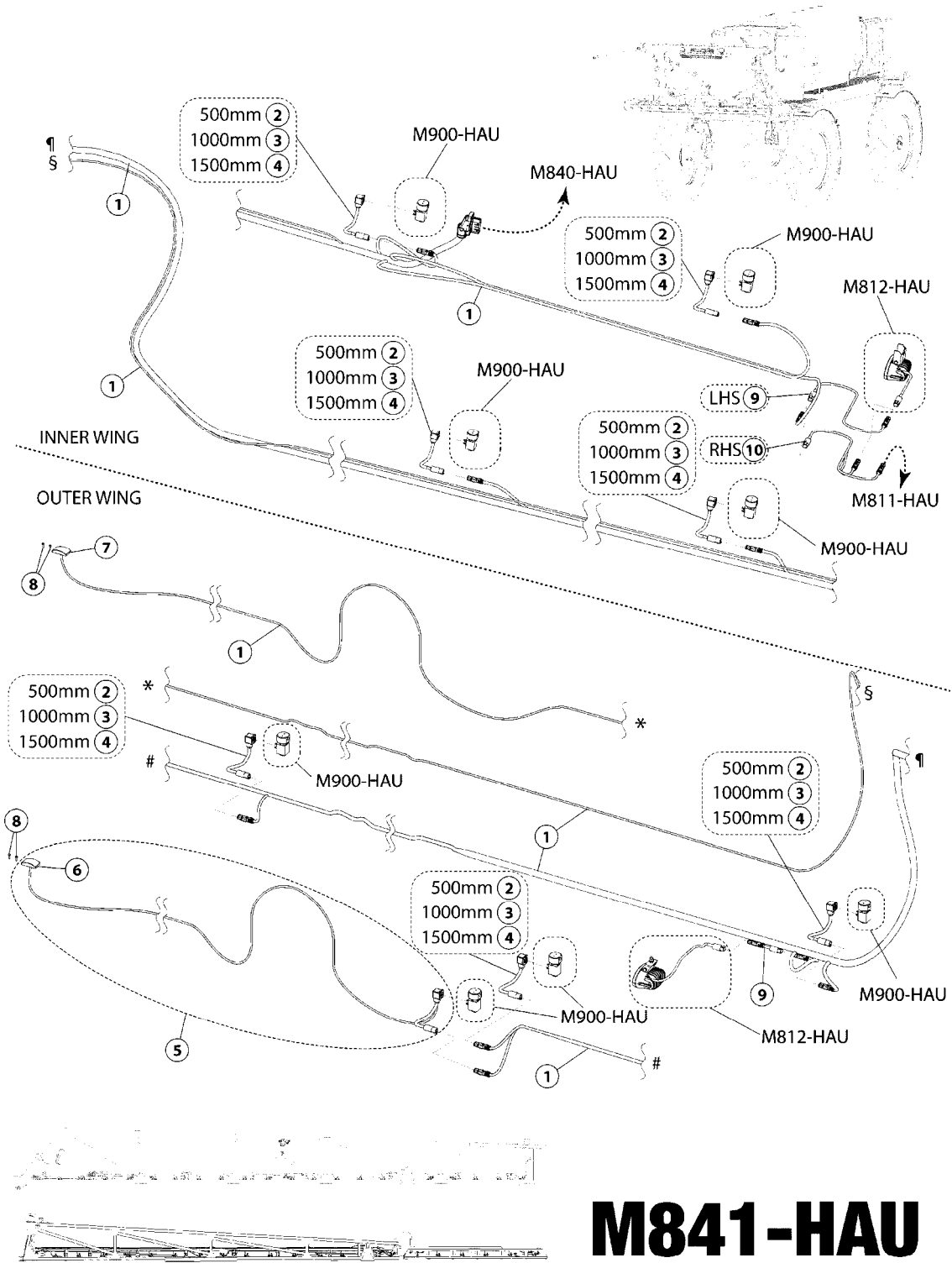
M818-HAU



RUBICON - CENTER & BOOM
NORAC SYSTEM
M818-HAU, 03:05:18

Page 1
Date 07.02.2020 8:06

Pos.	parts-n°	order qty	description
1	26044400	1	NORAC UC5 - UC7 COUPLER 2-WAY/TERM.
2	26043700	1	SENSOR, NORAC, UC5, ULTRASONIC
3	460143	1	SELF LOCK NUT M8 SST A2 DIN985
4	471075	1	WASHER M8 LOCK
5	26071600	1	UC7. ULTRASONIC MAX SENSOR
6	26044100	1	NORAC UC5 NETWRK COUPLER 3-WAY
7	26043800	1	NORAC UC5 NETWORK COUPLER 2-WAY



M841-HAU



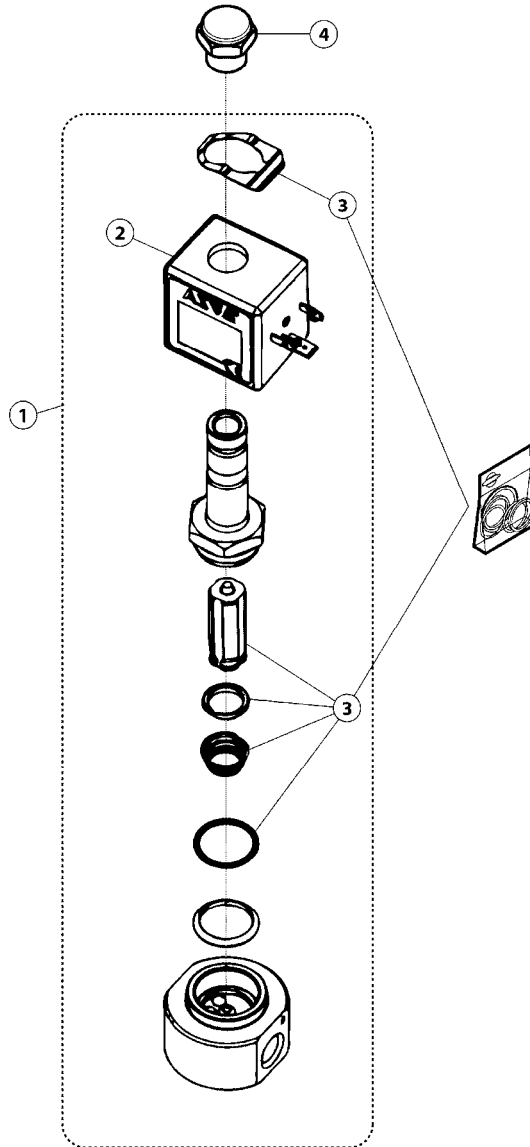
RUBICON RA BOOM ELECTRICAL
HARNESS
M841-HAU, 23:03:18

Page 1
Date 07.02.2020 8:06

Pos.	parts-n°	order qty	description
1	MA750008062	1	14 SECTION BOOM HARNESS
2	26121304	1	ACTIVEAIR SECTION VALVE CABLE 500MM
3	26121504	1	ACTIVEAIR SECTION VALVE CABLE 1000MM
4	26121404	1	ACTIVEAIR SECTION VALVE CABLE 1500MM
5	26055804	1	WIRING LOOM - RUBICON - RED MARKER LIGHT
6	26049704	1	L.E.D. MARKER LIGHT - RED
7	26049804	1	L.E.D. MARKER LIGHT - AMBER
8	43003704	1	SCREW 8X16 PAN HEAD TEK
9	26124804	1	HARNESS, BOOM EXTENSION HARNESS, RUBICON BLUE LIG
10	26124904	1	HARNESS, CENTRE EXTENSION HARNESS, RUBICON BLUE L



SOLENOID VALVE ASCO
M900-HAU, 23:03:18



M900-HAU



SOLENOID VALVE ASCO
M900-HAU, 23:03:18

Page 1
Date 07.02.2020 8:06

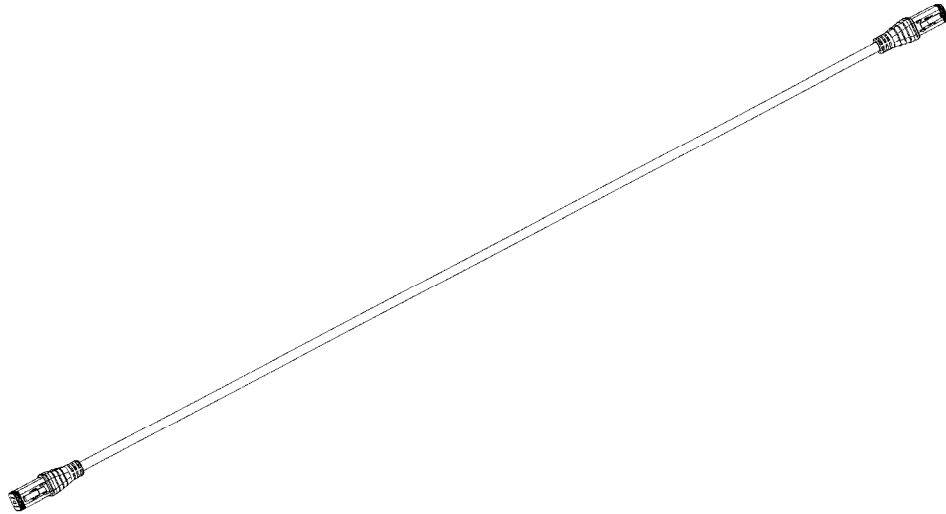
Pos.	parts-n°	order qty	description
1	268592	1	SOLENOID VALVE E374070SVP+34600406
2	268715	1	COIL 12V JMX 43005098
3	278753	1	KIT REPARATION 268592 C140037
4	28038004	1	VENT BUTON SILENCER 1/8 BSP BRASS 20SB-02



NORAC CABLES
M920-HAU, 03:05:18

Page 0

Date 07.02.2020 8:06



	14AWG	18AWG
1m	●	●
3m	●	
5m	●	
10m	●	
15m	●	
20m		●
25m		●

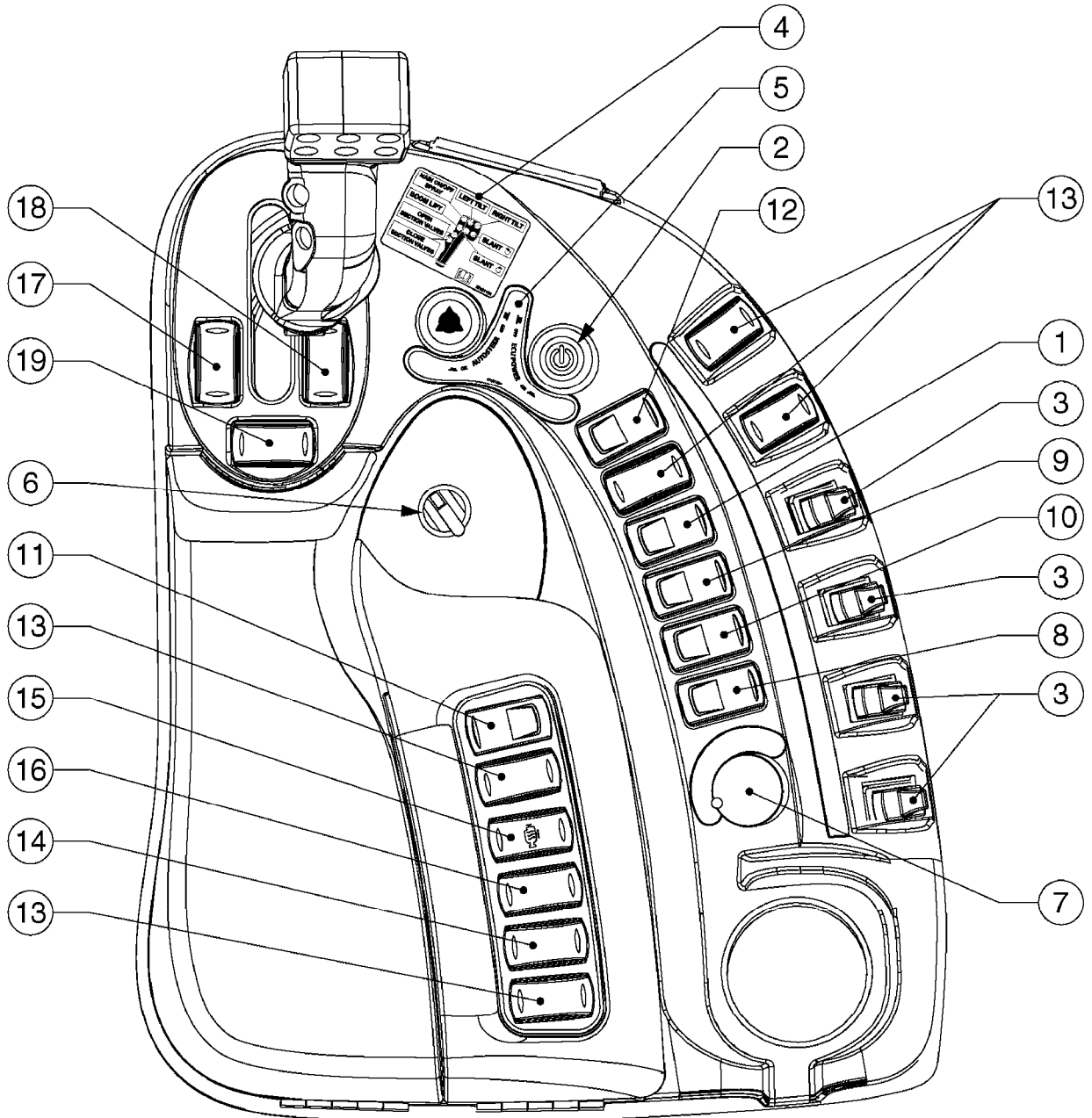
M920-HAU



NORAC CABLES
M920-HAU, 03:05:18

Page 1
Date 07.02.2020 8:06

Pos.	parts-n°	order qty	description
1	26047100	1	CABLE UC5 NETWORK 14 AWG 1M
2	26049900	1	CABLE UC5 NETWORK 14 AWG 3M
3	26051100	1	CABLE UC5 NETWORK 14 AWG 5M
4	28016804	1	CABLE UC5 NETWORK 14 AWG 10M
5	26051300	1	CABLE UC5 NETWORK 14 AWG 15M
6	26044200	1	CABLE UC5 NETWORK 18 AWG 20M
7	26044104	1	CABLE UC5 NETWORK 18AWG 25M
8	28029604	1	CABLE UC5 NETWORK 18AWG 1M



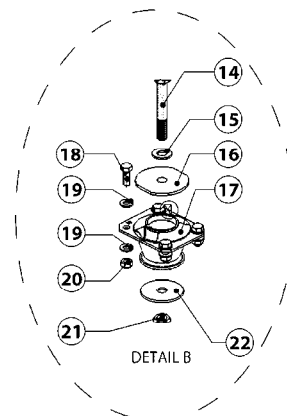
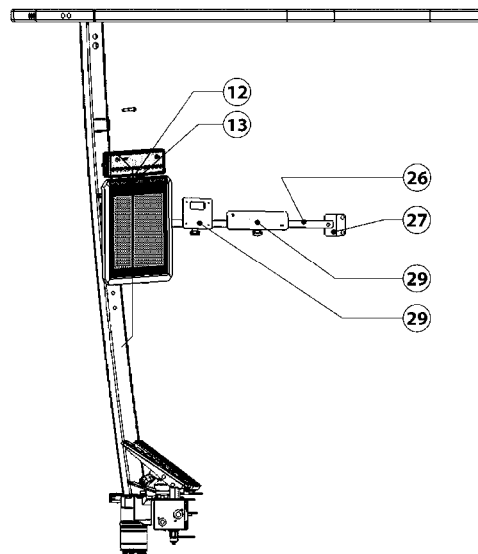
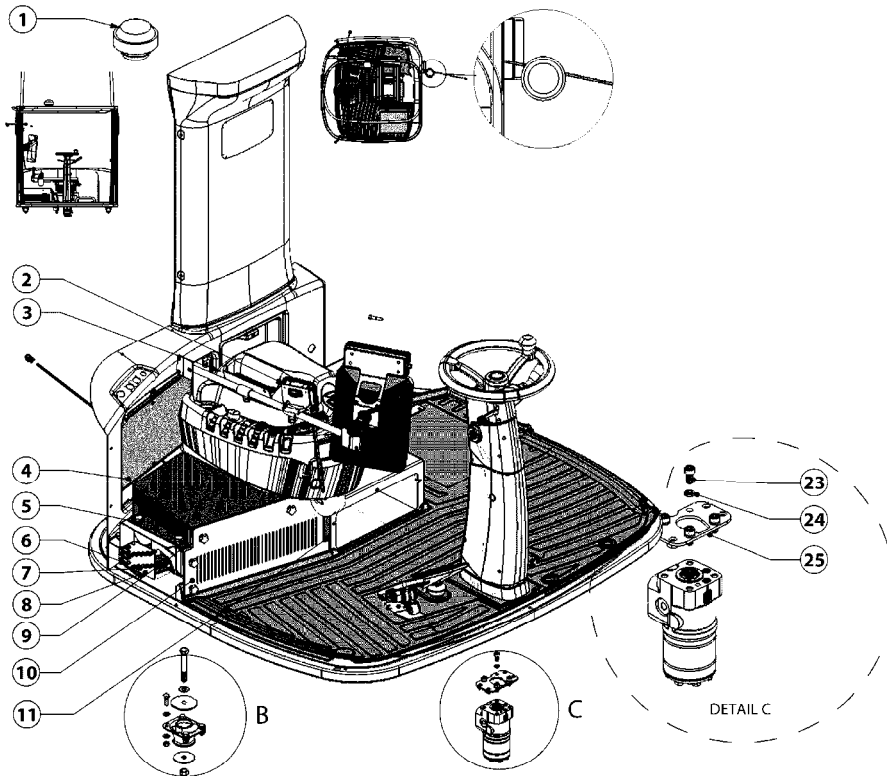
O0010-HIN



ENGINE CONTROL CONSOLE -
RUBICON
O0010-HIN, 03:10:18

Page 1
Date 07.02.2020 8:06

Pos.	parts-n°	order qty	description
1	26014901	1	LOCKING BOOM SWITCH ACTUATOR
2	26017601	1	PUSH BUTTON - POWER JOBCOM
3	26019201	1	TOGGLE SWITCH MOM-OFF-MOM
4	97621103	1	DECAL - RUBICON JOYSTICK GUIDE
5	97621303	1	RUBICON ECU/AUTOSTEER
6	MA238684000	1	FRONT LIFT LOCK SWITCH
7	MA243675000	1	GEAR SELECTOR KNOB
7	MA248191000	1	5-STEP SWITCH
8	MA729014001	1	RIGHT OUTER WING FOLD SWITCH
9	MA729014002	1	LEFT OUTER WING FOLD SWITCH
10	MA729014003	1	MAIN FOLD/UNFOLD ROCKER SWITCH
11	MA729014006	1	ENGINE RPM ROCKER SWITCH
12	MA729015001	1	BACKUP CAMERA POWER SWITCH
13	MA729070001	1	SWITCH CAP
14	MA730141130	1	AIR FILTER CLOGGING INDICATOR
15	MA730141250	1	ENGINE PREHEAT INDICATOR
16	MA730141260	1	OIL PRESSURE INDICATOR
17	MA730142220	1	ENGINE FAULT INDICATOR
18	MA730142230	1	REGENERATION INDICATOR
19	MA730142270	1	HIGH EXHAUST/SYSTEM TEMP. INDICATOR



O800-HAU



CABIN - RUBICON
O800-HAU, 19:04:17

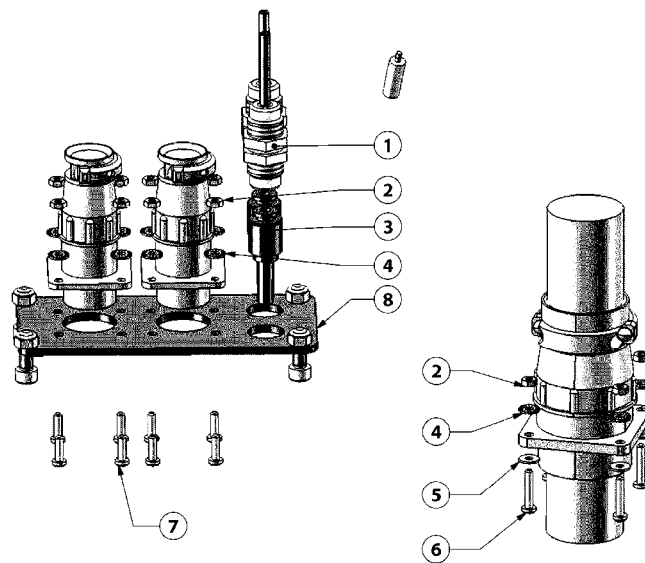
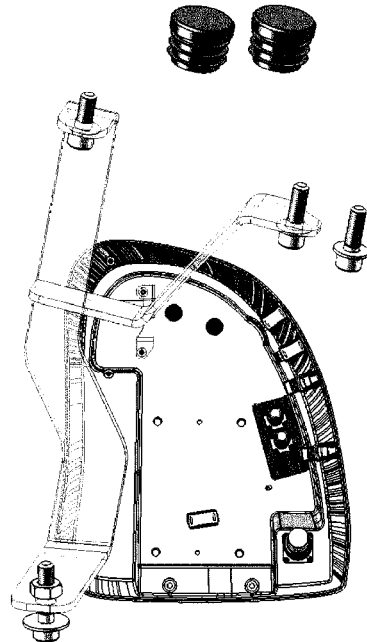
Page 1
Date 07.02.2020 8:06

Pos.	parts-n°	order qty	description
1	MA243778000	1	Antenna DGPS AG-Star
2	MA721000014	1	Sauer Monitor DP250
3	MA248231000	1	Control Panel Cab
4	MA248212000	1	Fuse and relay card material
5	MA232306000	1	PLASTIC HANDLE BOLT D32 M6X18
6	MA701003196	1	Screw CHc M08x020 EF 8.8 912
7	MA702017014	1	RIVET NUT M6
8	MA248262000	1	COVER SUPPORT / REV:B
9	MA248259000	1	ELECTRONICS COVER SCIA C CAB
10	MA248260000	1	FRONT ELECTRONICS COVER / REV:A
11	MA248261000	1	COVER SUPPORT / REV:A
13	MA248266000	1	CAB CONTROL BRACKET / REV:A
14	MA701001258	1	BOLT HEX M16X110 8.8 931
15	MA703001069	1	WASHER M16 STEEL ZB
16	MA248256000	1	SHOULDER WASHER
17	MA533001002	1	Cabin silent block
18	MA701001146	1	BOLT H M10X30 8.8 ZB 931
19	MA703001059	1	WASHERS M10 STEEL ZB
20	MA702008007	1	AUTO LOCKNUT M10 AC8 ZB 985
21	MA702008028	1	AUTO LOCKNUT M16 AC8 ZB 985
22	MA703100021	1	WASHER
23	MA701003107	1	BOLT CHC M10X20 ALLEN 8.8 DIN 913
24	MA703004007	1	Washer W10 ac 25516
25	MA248255000	1	ORBITROL ADAPTER SCIA C CAB
27	MA248269000	1	PLATE, ACCY BAR MOUNTING
29	MA248267000	1	SCREEN SUPPORT / REV:A



ENGINE CONTROL CONSOLE -
RUBICON
O802-HAU, 19:04:17

Page 0
Date 07.02.2020 8:06



O802-HAU



ENGINE CONTROL CONSOLE -
RUBICON
O802-HAU, 19:04:17

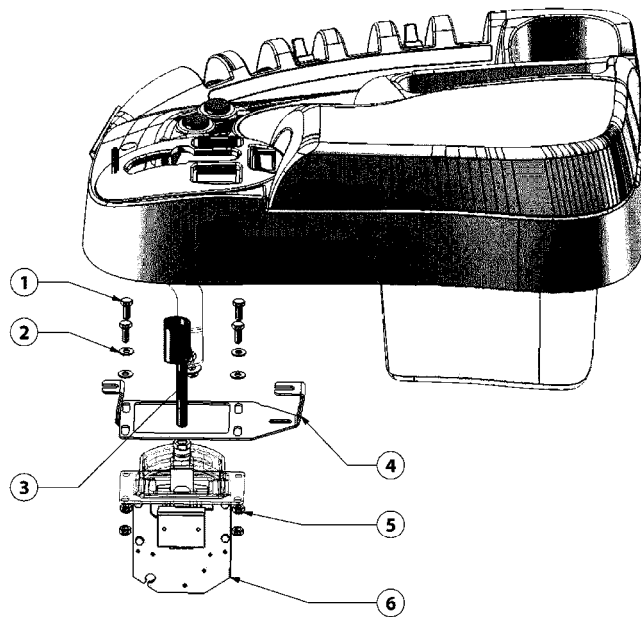
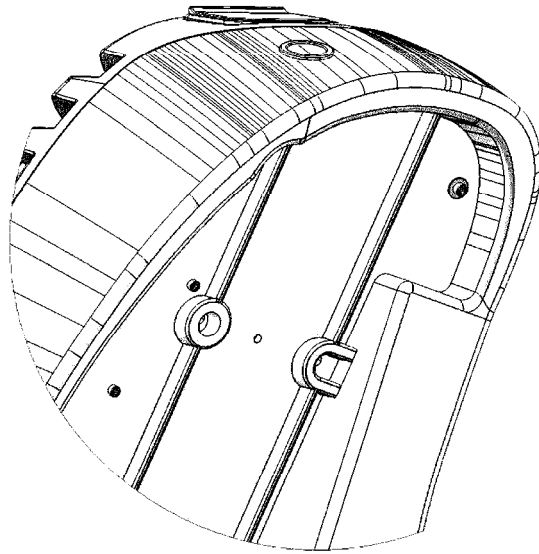
Page 1
Date 07.02.2020 8:06

Pos.	parts-n°	order qty	description
1	MA508018002	1	One-touch Fitting Ø6
2	MA702002008	1	Nut H M03 ac8 ZB 934
3	MA238319000	1	Pneumatic restrictor Ø6 - Ø4
4	MA703002021	1	Washer ext AZ03 ac ZB 27624
5	MA703001040	1	Washer plate M03 steel ZB
6	MA701010004	1	Screw CS M03x016 4.8 ZB 84
7	MA701010003	1	Screw CS M03x010 4.8 ZB 84
8	MA248163000	1	CPC and air connector material



ENGINE CONTROL CONSOLE -
RUBICON
O803-HAU, 19:04:17

Page	0
Date	07.02.2020 8:06



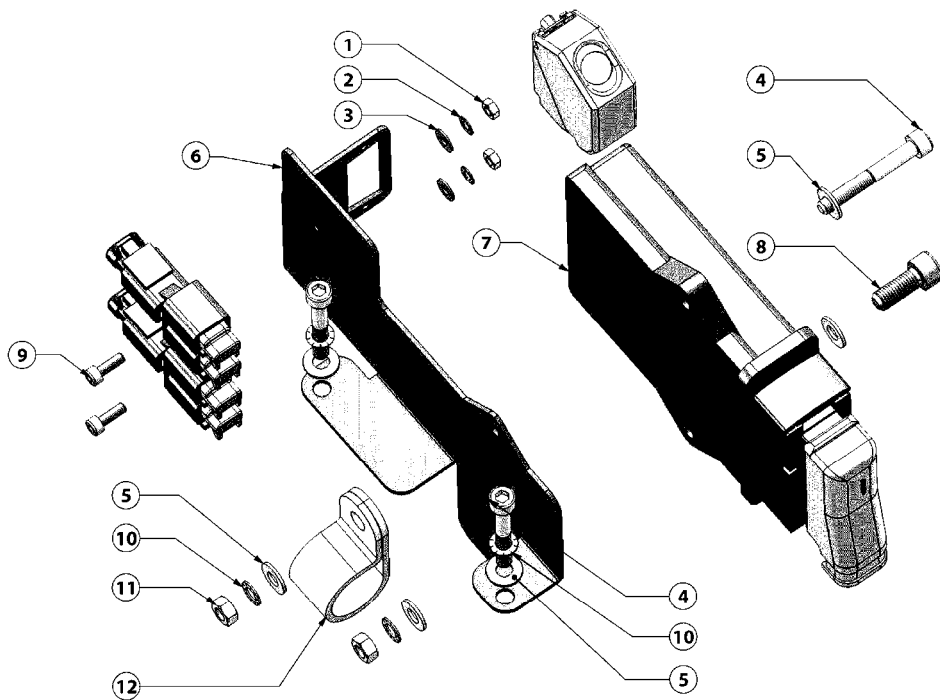
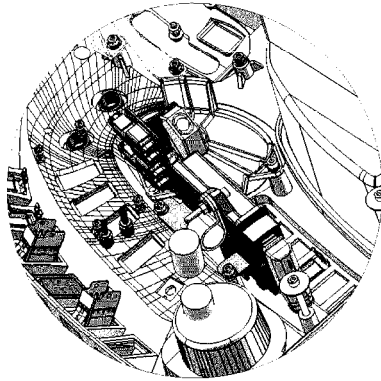
O803-HAU



ENGINE CONTROL CONSOLE -
RUBICON
O803-HAU, 19:04:17

Page 1
Date 07.02.2020 8:06

Pos.	parts-n°	order qty	description
1	MA701001045	1	Screw H M06x016 8.8 ZB 933
2	MA703001049	1	WASHER M6 STEEL ZB
3	MA248127000	1	Matrot manipulator fixing material
4	MA248126000	1	Manipulator bracket
5	MA702008011	1	AUTO LOCKNUT M6 AC8 ZB 986
6	MA248125000	1	Manipulator



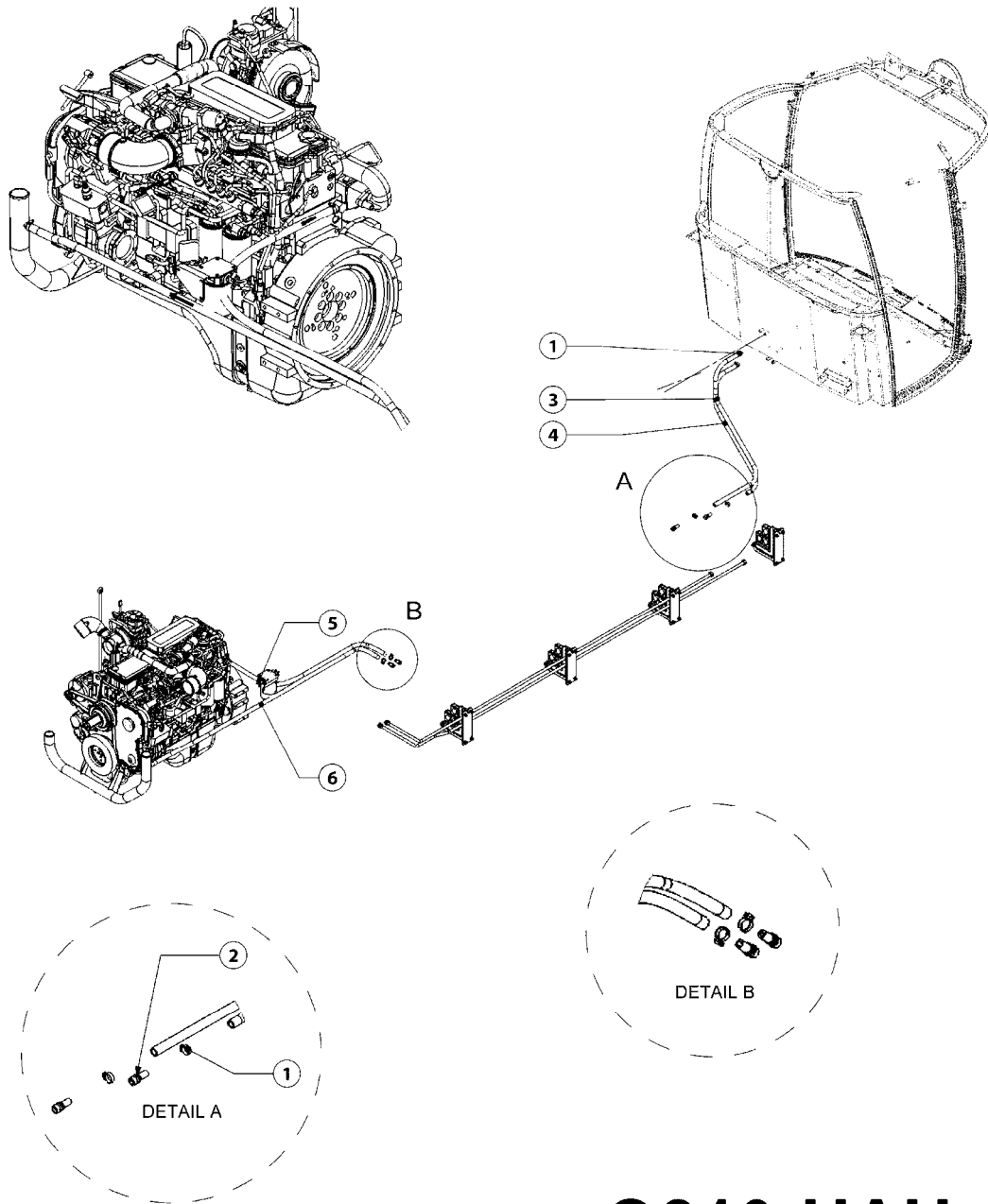
O804-HAU



ENGINE CONTROL CONSOLE -
RUBICON
O804-HAU, 19:04:17

Page 1
Date 07.02.2020 8:06

Pos.	parts-n°	order qty	description
1	MA702002010	1	Nut H M04 ac8 ZB 934
2	MA703002022	1	Washer ext AZ04 ac ZB 27624
3	MA703001041	1	WASHER STEEL FLAT M4
5	MA703001049	1	WASHER M6 STEEL ZB
6	MA248129000	1	IOX handle calculator bracket
7	MA721000010	1	IOX calculator (XENON grip)
8	MA701003196	1	Screw CHc M08x020 EF 8.8 912
9	MA701003018	1	BOLT M4X12 ALLEN A2 912
10	MA703002006	1	Washers ext AZ06 ac ZB 27624
12	MA48774000	1	HOLDER RP25 Ø24.4-25.3



0810-HAU

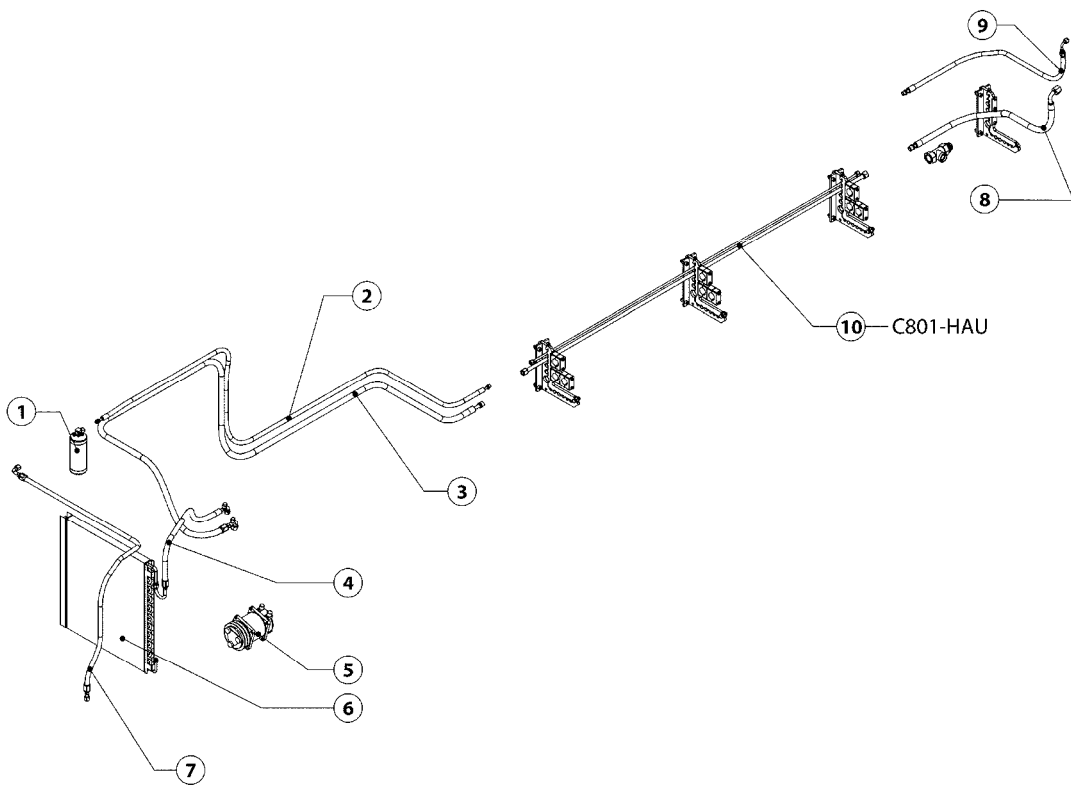


CAB HEATING CIRCUIT - RUBICON
0810-HAU, 19:04:17

Page 1

Date 07.02.2020 8:06

Pos.	parts-n°	order qty	description
1	MA151655000	1	WORM GEAR CLAMP HOP14 Ø25/47
3	MA516001007-4	1	Heater water hose
4	MA516001007-5	1	Heater water hose
5	MA516001007-2	1	Heater water hose
6	MA516001007-3	1	Heater water hose



0811-HAU

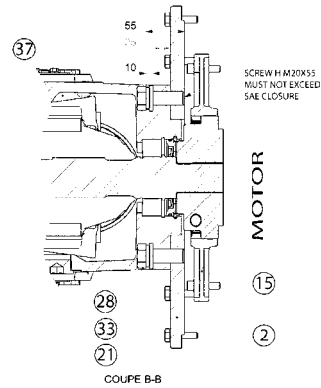
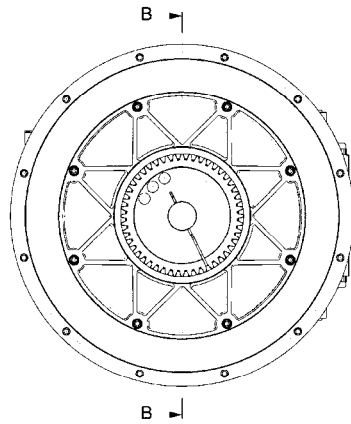
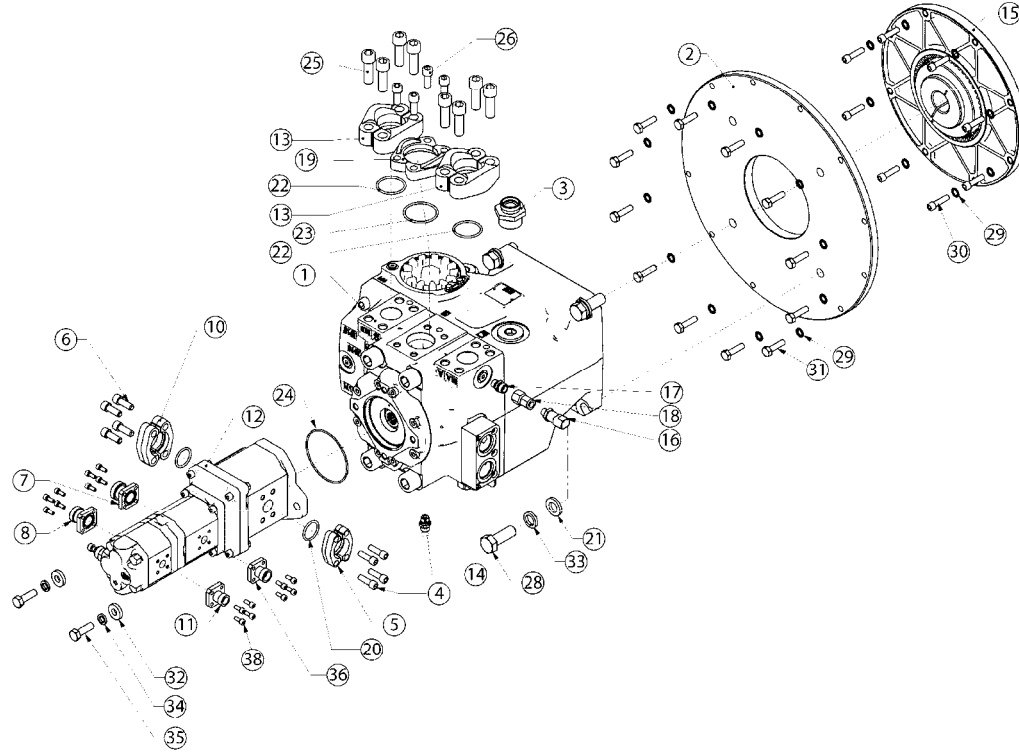


CAB CLIMATE CIRCUIT - RUBICON
0811-HAU, 19:04:17

Page 1

Date 07.02.2020 8:06

Pos.	parts-n°	order qty	description
1	MA248257000	1	AIR COND. DEHYDRATOR FILTER
2	MA239762000	1	FLEXIBLE AIR CON MOD6
3	MA239760000	1	FLEXIBLE AIR CON MOD10
4	MA239763000	1	FLEXIBLE AIR CON MOD8
5	MA232378000	1	AIR CONDITIONER COMPRESSOR
6	MA242787000	1	AIR CONDITIONER CONDENSOR
7	MA239761000	1	FLEXIBLE AIR CON MOD6
8	MA239764000	1	FLEXIBLE AIR CON MOD10
9	MA239765000	1	FLEXIBLE AIR CON MOD6
10	MA239784000	1	Left side rigid hydraulic pipe Assembl



P800-HAU

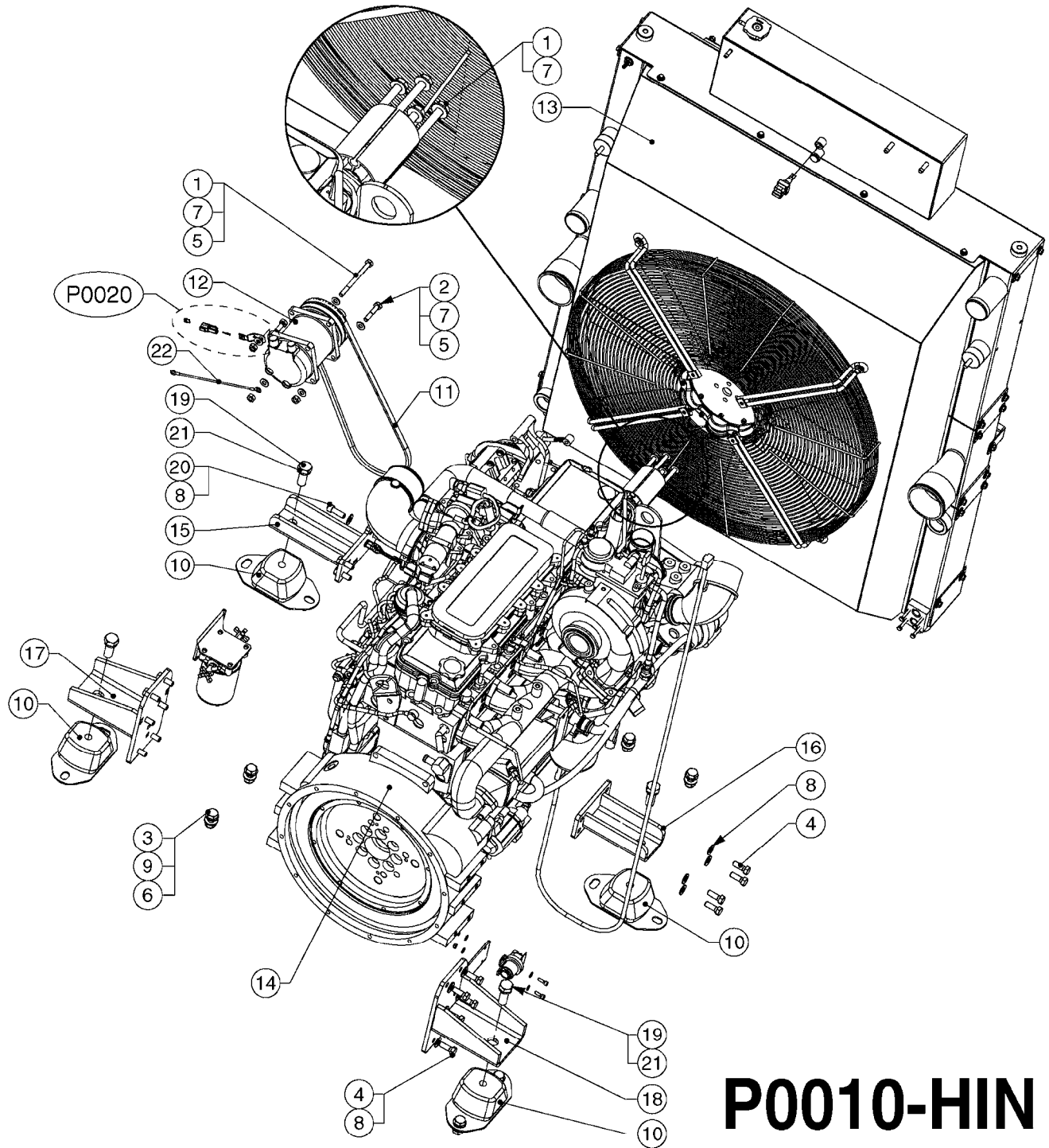


ENGINE OUTLET RUBICON
P800-HAU, 30:01:17

Page 1

Date 07.02.2020 8:06

Pos.	parts-n°	order qty	description
1	MA504090006	1	H1-250 pump with breaking block
2	MA242585000	1	Closing plate SAE2
3	MA710055014	1	HYD fitting UNION MALE CYLINDRICAL 28
4	MA701003006	1	BOLT CHC 3/8"x1-1/4" UNC 12.9
5	MA161027000	1	Flange 1" 3000
6	MA701003010	1	BOLT CHC 7/16"x1-1/4" UNC 12.9
7	MA710070004	1	Flange MALE 28 L Straight x 40
8	MA233958000	1	Flange BRM 22L x 0° x 40
10	MA233023000	1	Half flange 1"1/4 3000 PSI
11	MA710070005	1	Flange BRM 15 L x 0° x 35
12	MA504020041	1	PUMP TRIPLE CORP RIGHT ROTATION 48/22/
13	MA710067001	1	HALF FLANGE 1-1/2" 6000 PSI
14	MA233657000	1	HYD fitting UNION MALE CYL. 10 x 9/16U
15	MA515010003	1	Accouplement Bowex 100-11.5'' FLE-PA
16	MA723050002	1	PRESSURE SENSOR, MBS 1250 0-600 BARS
17	MA710055009	1	HYD fitting UNION MALE CYL. 10 x 9/16U
18	MA710065000	1	ADAPTER FITT. 10X8.13 S CS
20	MA161290000	1	O-RING 32.92x3.53 NIT.88SH
21	MA703100002	1	Washer fab 36X21X6
22	MA705002036	1	O-RING 47.22x3.53 NIT 88SH
24	MA238187000	1	O-ring101,27x2,62NIT72sh
25	MA701003261	1	BOLT CHC M16X50 12.9 912
26	MA701003129	1	BOLT CHC M12X30 12.9 912
28	MA701001432	1	BOLT H M20X55 8.8 ZB 933
29	MA703002008	1	Washer ext AZ10 ac 27625
30	MA701003005	1	BOLT CHC 3/8"X1-1/2" UNC 12.9
31	MA701001151	1	Screw H M10x040 8.8 ZB 933
32	MA703100001	1	Washer fab 30X13X7
33	MA703004012	1	WASHER W20 AC 25516
34	MA703004008	1	Washer W12 ac 25516
35	MA701001173	1	BOLT M12x040 8.8 ZB 933
37	MA242746000	1	Rear Engine output (coupling and pumps)



P0010-HIN

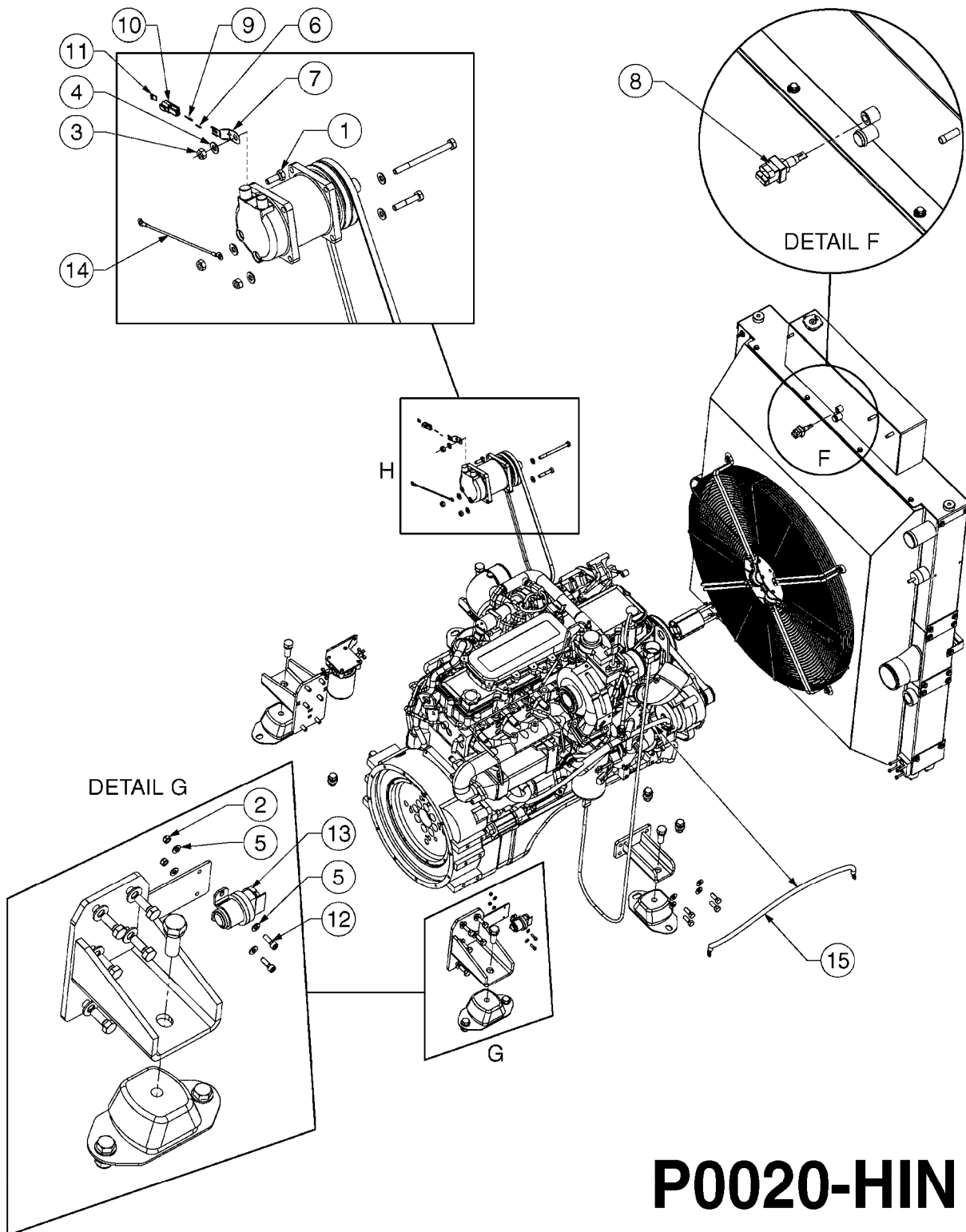


ENGINE RUBICON
P0010-HIN, 17:05:18

Page 1

Date 07.02.2020 8:06

Pos.	parts-n°	order qty	description
1	421216	1	BOLT HEX 8.8 DEL M10X130
2	421224	1	BOLT HEX 8.8 DEL M10X55
3	430581	1	BOLT HEX 8.8 DEL M16X40 FT
4	439014	1	BOLT HEX 8.8 DEL M12X35
5	460423	1	NUT HEX M10X1.50 LOCK DIN985A2 SS
6	460585	1	LOCKING NUT M16 DIN985 A2 SS
7	471122	1	WASHER, M10, Ø20/10.5X 2.0, SS
8	471127	1	WASHER, M12, Ø24/13X24X2.5 SS
9	471128	1	WASHER, M16, Ø30/17.0X 3.0, SS
10	MA151311000	1	RUBBER MOUNT
11	MA151980000	1	BELT A 47 1/2
12	MA232378000	1	AIR CONDITIONER COMPRESSOR
13	MA242524000	1	INTERCHANGER 3 IN 1
14	MA242789000	1	ENGINE QSL 8.9 CUMMINS T4
15	MA246473000	1	LEFT REAR ENGINE BRACKET
16	MA246474000	1	RIGHT REAR ENGINE BRACKET
17	MA246854000	1	FRONT ENGINE BRACKET
18	MA249110000	1	FRONT ENGINE BRACKET
19	MA701001432	1	BOLT H M20X55 8.8 ZB 933
20	MA701003240	1	BOLT ALLEN HEAD M12X35 8.8 ZB 912
21	MA703004012	1	WASHER W20 AC 25516
22	MA750004026	1	GROUND WIRE F.AIR COND.CLUTCH



P0020-HIN

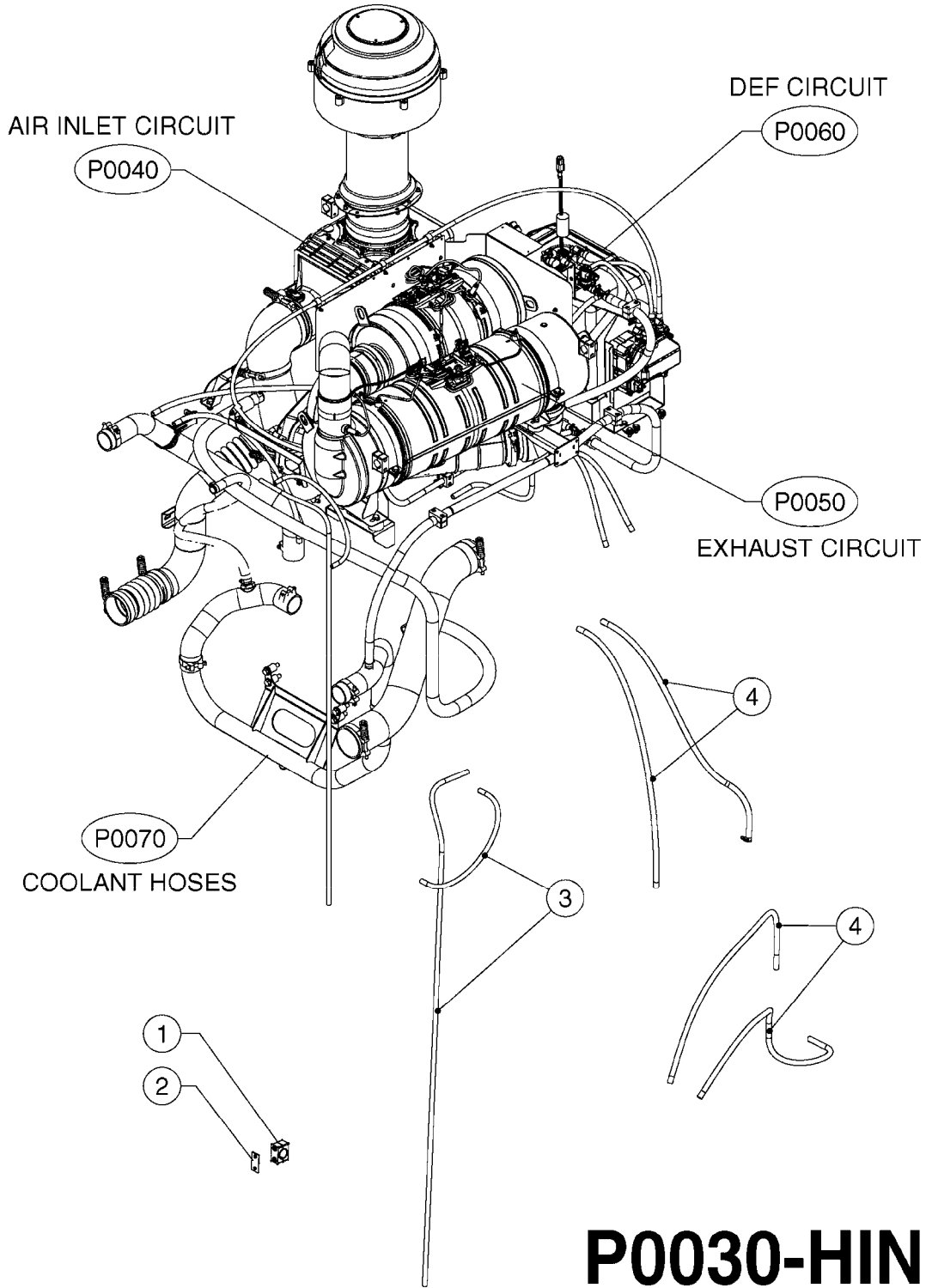


ENGINE COMPONENTS RUBICON
P0020-HIN, 17:05:18

Page 1

Date 07.02.2020 8:06

Pos.	parts-n°	order qty	description
1	421002	1	BOLT HEX 8.8 DEL M10X30 FT DIN933
2	460261	1	NUT HEX M6X1.00 LOCK DIN985 A2 SS
3	460423	1	NUT HEX M10X1.50 LOCK DIN985A2 SS
4	471122	1	WASHER, M10, Ø20/10.5X 2.0, SS
5	471125	1	WASHER M6U 6.4X14X1.2,A2 SS
6	MA176493000	1	RESTRICTOR SIZE 21
7	MA176635000	1	MOUNTING CLIP DEUTSCH
8	MA242604000	1	RADIATOR LEVEL SENSOR
9	MA243142000	1	MALE CONTACTOR SIZE 16
10	MA243147000	1	DT04-2P WIRING HARNESS
11	MA243148000	1	DEUTSCH W2P WEDGELOCK - DT2
12	MA701003061	1	SCREW SHC M6X20 A2 912
13	MA727012001	1	START RELAY
14	MA750004026	1	GROUND WIRE F.AIR COND.CLUTCH
15	MA750008015	1	ALTERNATOR CHARGING CABLE



P0030-HIN

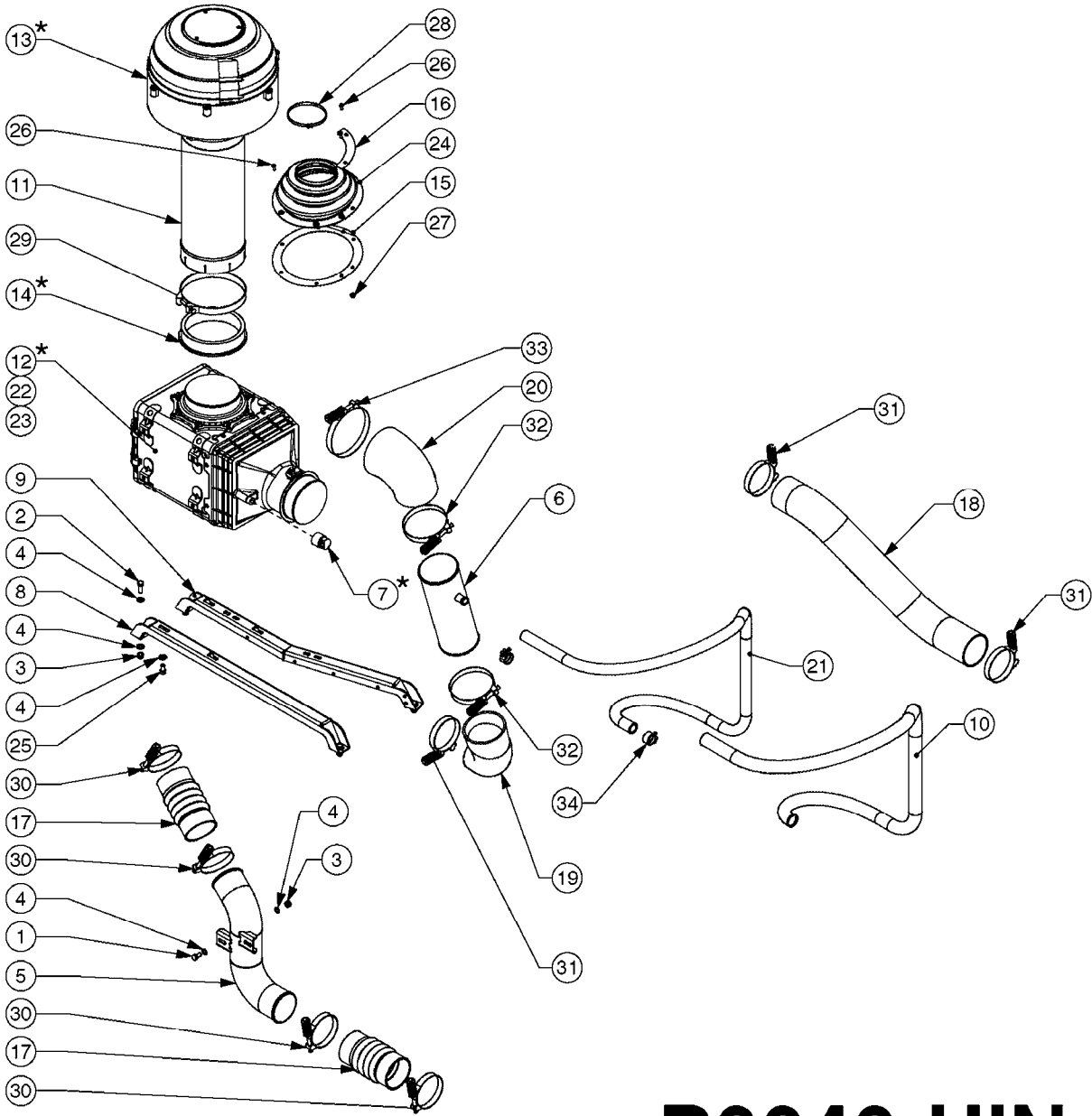


AIR - EXHAUST - DEF CIRCUITS
P0030-HIN, 22:05:18

Page 1

Date 07.02.2020 8:06

Pos.	parts-n°	order qty	description
1	MA161266000	1	MOUNTING CLAMP Ø30
2	MA161376000	1	WELDED PLATE SP4
3	MA516001005	1	COOLANT HOSE DN8
4	MA516001006	1	COOLANT HOSE DN10



* SUPPLIED WITH CUMMINS T4 ENGINE

P0040-HIN

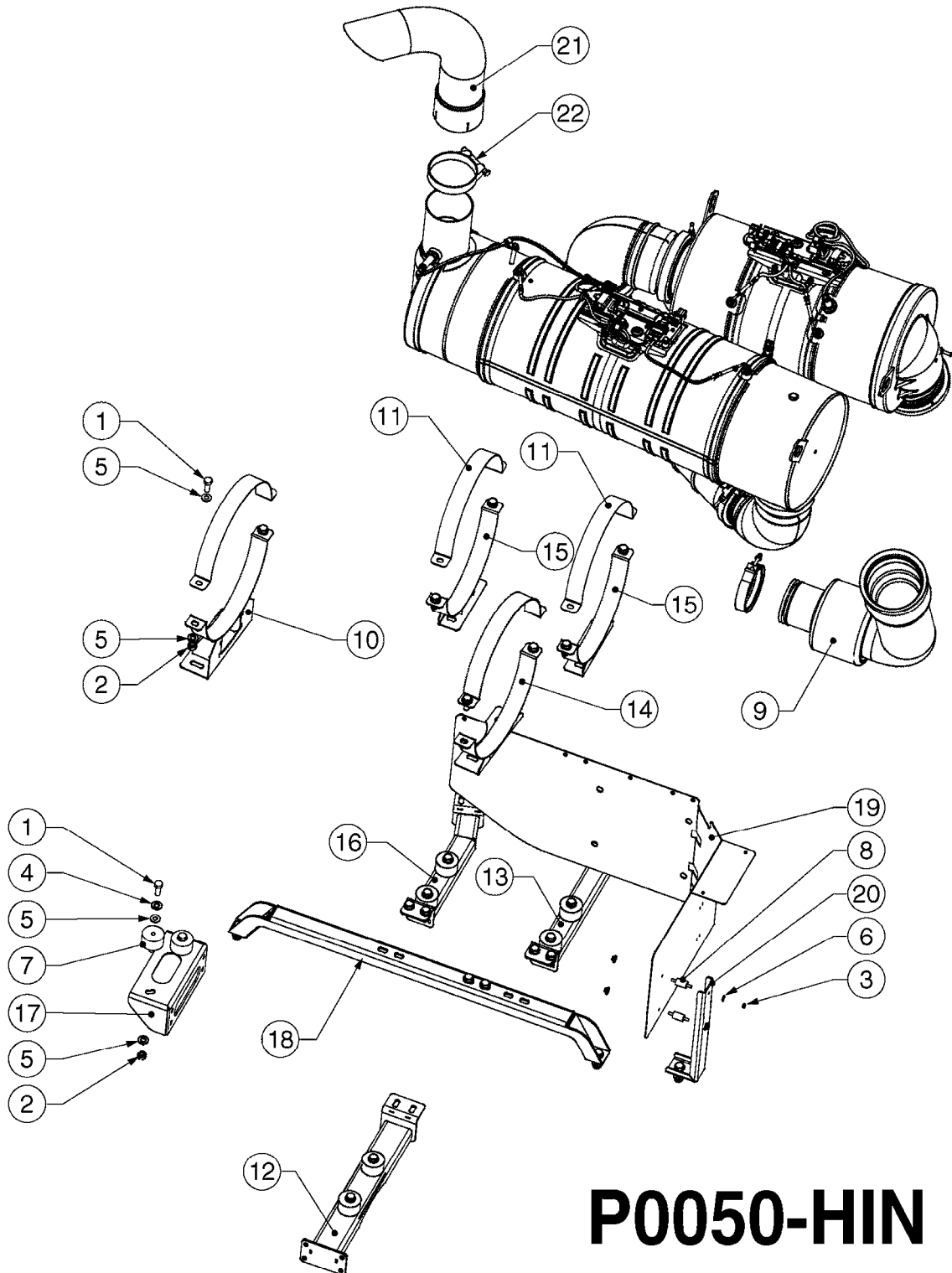


ENGINE AIR FILTER - RUBICON
P0040-HIN, 23:05:18

Page 1

Date 07.02.2020 8:06

Pos.	parts-n°	order qty	description
1	420626	1	BOLT HEX 8.8 DEL M10X20 FT
2	421002	1	BOLT HEX 8.8 DEL M10X30 FT DIN933
3	460423	1	NUT HEX M10X1.50 LOCK DIN985A2 SS
4	471122	1	WASHER, M10, Ø20/10.5X 2.0, SS
5	MA242589000	1	AIR INTAKE PIPE REV. B
6	MA242590000	1	SLEEVE D102 RIGHT REV. B
7	MA242603000	1	FILTER CLOGGING SENSOR
8	MA242660000	1	AIR FILTER SUPPORT - LEFT
9	MA242661000	1	AIR FILTER SUPPORT - RIGHT
10	MA242892000	1	HOSE PROTECTOR
11	MA242899000	1	ADAPTER 8" F / 8" M AIR FILTER
12	MA242900000	1	RUBICON T4 AIR FILTER (CUMMINS)
13	MA242901000	1	CYCLONE RUBICON T4 (CUMMINS)
14	MA242902000	1	T4 RUBBER SLEEVE (CUMMINS)
15	MA245983000	1	AIR FILTER CONNECTION WASHER
16	MA245984000	1	AIR FILTER JUNCTION SEGMENT
17	MA516002036	1	SILICONE CORRUGATED SLEEVE D100
18	MA516002041	1	AIR HOSE ID 101.6 REV. A
19	MA516002049	1	AIR ELBOW 90° COBRA REDUCER
20	MA516002050	1	AIR ELBOW 90° D1552/127
21	MA516003002	1	COMPRESSOR VACUUM HOSE T4
22	MA520003001	1	AIR FILTER PRIMARY CARTRIDGE 'RUBICON'
23	MA520003002	1	AIR FILTER SAFETY CARTRIDGE
24	MA532001007	1	BELLOWS REV. B
25	MA701003107	1	BOLT CHC M10X20 ALLEN 8.8 DIN 913
26	MA701021001	1	BOLT TBHC M6X16 A2 7380
27	MA702010007	1	FLANGE NUT M6 A2 6923 NYLOCK
28	MA715002001	1	CLAMP BX8 120-140
29	MA715006013	1	SPRING LOADED CLAMP D188/200 SS
30	MA715006020	1	SPRING LOADED CLAMP
31	MA715006021	1	SPRING LOADED CLAMP
32	MA715006022	1	SPRING LOADED CLAMP
33	MA715006023	1	SPRING LOADED CLAMP
34	MA715006024	1	HOSE CLAMP



P0050-HIN

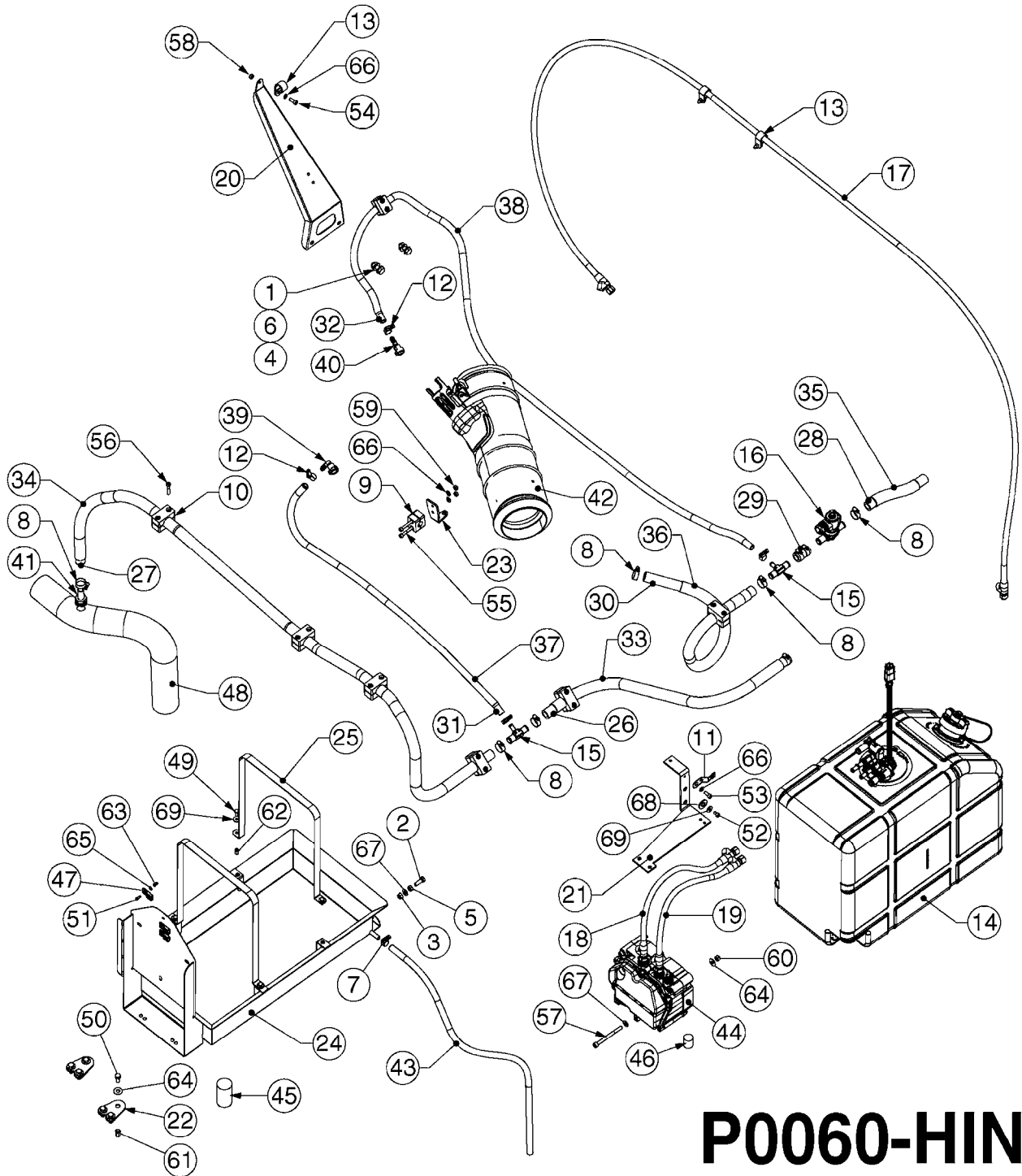


EXHAUST CIRCUIT - RUBICON
P0050-HIN, 29:05:18

Page 1

Date 07.02.2020 8:06

Pos.	parts-n°	order qty	description
1	421002	1	BOLT HEX 8.8 DEL M10X30 FT DIN933
2	460423	1	NUT HEX M10X1.50 LOCK DIN985A2 SS
3	461217	1	NUT HEX M5 LOCK
4	470046	1	WASHER D18D11X1 LOCK
5	471122	1	WASHER, M10, Ø20/10.5X 2.0, SS
6	471123	1	WASHER, M5, Ø10/ 5.3X 1.0, SS
7	MA151317000	1	RUBBER SPACER
8	MA162111000	1	COMBO SUSPENSION STUD
9	MA242651000	1	EXHAUST PIPE SS / REV. C
10	MA242831000	1	SCR REAR SUPPORT T4
11	MA242831003	1	SCR/DOC TOP STRAP T4
12	MA242832000	1	ENGINE MOUNT T4 / REV. B
13	MA242834000	1	EXHAUST SUPPORT POST T4
14	MA242835000	1	SCR FRONT SUPPORT T4
15	MA242837000	1	DOC SUPPORT T4
16	MA242838000	1	EXHAUST SUPPORT BEAM T4
17	MA242840000	1	EXHAUST SUPPORT 3B/4
18	MA242841000	1	SUPPORT F.AIR FILTER
19	MA242879000	1	EXHAUST CIRCUIT SHIELD T4
20	MA242880000	1	EXHAUST SHIELD BRACKET
21	MA242955000	1	EXHAUST PIPE
22	MA507003019	1	EXHAUST TUBE CLAMP



P0060-HIN



DEF CIRCUIT - RUBICON
P0060-HIN, 07:06:18

Page 1
Date 07.02.2020 8:06

Pos.	parts-n°	order qty	description
1	421002	1	BOLT HEX 8.8 DEL M10X30 FT DIN933
2	421046	1	BOLT HEX M8X25/25 A2 SS DIN933
3	460143	1	SELF LOCK NUT M8 SST A2 DIN985
4	460423	1	NUT HEX M10X1.50 LOCK DIN985A2 SS
5	460817	1	NUT HEX M8 STAINLESS DIN 934
6	471122	1	WASHER, M10, Ø20/10.5X 2.0, SS
7	28029803	1	CLAMP HOSE GEAR P1/2" 6708
8	28030003	1	CLAMP HOSE GEAR P1" 6716
9	MA045974000	1	HYDAC HOSE HOLDER Ø16
10	MA161962000	1	HOSE HOLDER Ø28
11	MA176635000	1	MOUNTING CLIP DEUTSCH
12	MA236620000	1	CLAMP, GEAR, SS, BX8 08/16
13	MA238745000	1	CABLE HOLDER D20
14	MA242843000	1	TANK ASSY-DEL, 15 GALLON
15	MA242847000	1	TEE FITTING, BRASS
16	MA242848000	1	COOLANT CONTROL VALVE 12V 5/8" B
17	MA242850000	1	ADBLUE PRESSURE HOSE
18	MA242851000	1	ADBLUE SUCTION HOSE
19	MA242852000	1	ADBLUE RETURN HOSE
20	MA242854000	1	FRONT SUPPORT DEF MODULE
21	MA242857000	1	ELECTRIC VALVE SUPPORT / REV A
22	MA242858000	1	MOUNTING PLATE ADBLUE
23	MA242859000	1	ENGINE MT. PLATE ADBLUE
24	MA242860000	1	TANK SUPPORT (ADBLUE) / REV.:A
25	MA242861000	1	TANK STRAP (ADBLUE)
26	MA242862000	1	HOSE NO. 1 (ADBLUE GLYCOL)
27	MA242863000	1	HOSE NO. 2 (ADBLUE GLYCOL)
28	MA242864000	1	HOSE NO. 3 (ADBLUE GLYCOL)
29	MA242865000	1	HOSE NO. 4 (ADBLUE GLYCOL)
30	MA242866000	1	HOSE NO. 5 (ADBLUE GLYCOL)
31	MA242867000	1	HOSE NO. 6 (ADBLUE GLYCOL)
32	MA242868000	1	PIPE NO. 7 (ADBLUE GLYCOL)
33	MA242870000	1	SHEATH (HOSE NO. 1)
34	MA242871000	1	SHEATH (HOSE NO. 2)
35	MA242872000	1	SHEATH (HOSE NO. 3)
36	MA242873000	1	SHEATH (HOSE NO. 5)
37	MA242874000	1	SHEATH (HOSE NO. 6)
38	MA242875000	1	SHEATH (HOSE NO. 7)
39	MA242884000	1	90° CONNECTOR
40	MA242885000	1	0° CONNECTOR
41	MA242888000	1	HOSE BULKHEAD Ø16 (AFLEX P164235)
42	MA242891000	1	ADBLUE INJECTION LINE (CUMMINS)
43	MA242897000	1	OVERFLOW HOSE
44	MA242898000	1	DOSING PUMP (CUMMINS)
45	MA242916000	1	ADBLUE TANK FILTER 40 MICRON
46	MA242917000	1	ADBLUE T4 PUMP FILTER
47	MA243432000	1	DEUTSCH CONNECTOR BRACKET
48	MA516001030	1	WATER HOSE INTØ60
49	MA701001046	1	BOLT HEX M6X16 A2 933
50	MA701001071	1	BOLT HEX M8X20 A2 933
51	MA701003018	1	BOLT M4X12 ALLEN A2 912
52	MA701003052	1	BOLT M6X10 ALLEN A2 912
53	MA701003058	1	BOLT M6X16 ALLEN A2 912
54	MA701003061	1	SCREW SHC M6X20 A2 912
55	MA701003071	1	BOLT CHC M6X40 ALLEN 8.8 912
56	MA701003167	1	BOLT CHC M6X35 ALLEN EF A2 912
57	MA701003286	1	BOLT M8X90 ALLEN A2 912
58	MA702002015	1	NUT HEX M6 A2 934
59	MA702008011	1	AUTO LOCKNUT M6 AC8 ZB 986
60	MA702008016	1	LOCKNUT M8 A2 985
61	MA702017011	1	RIVET NUT M8

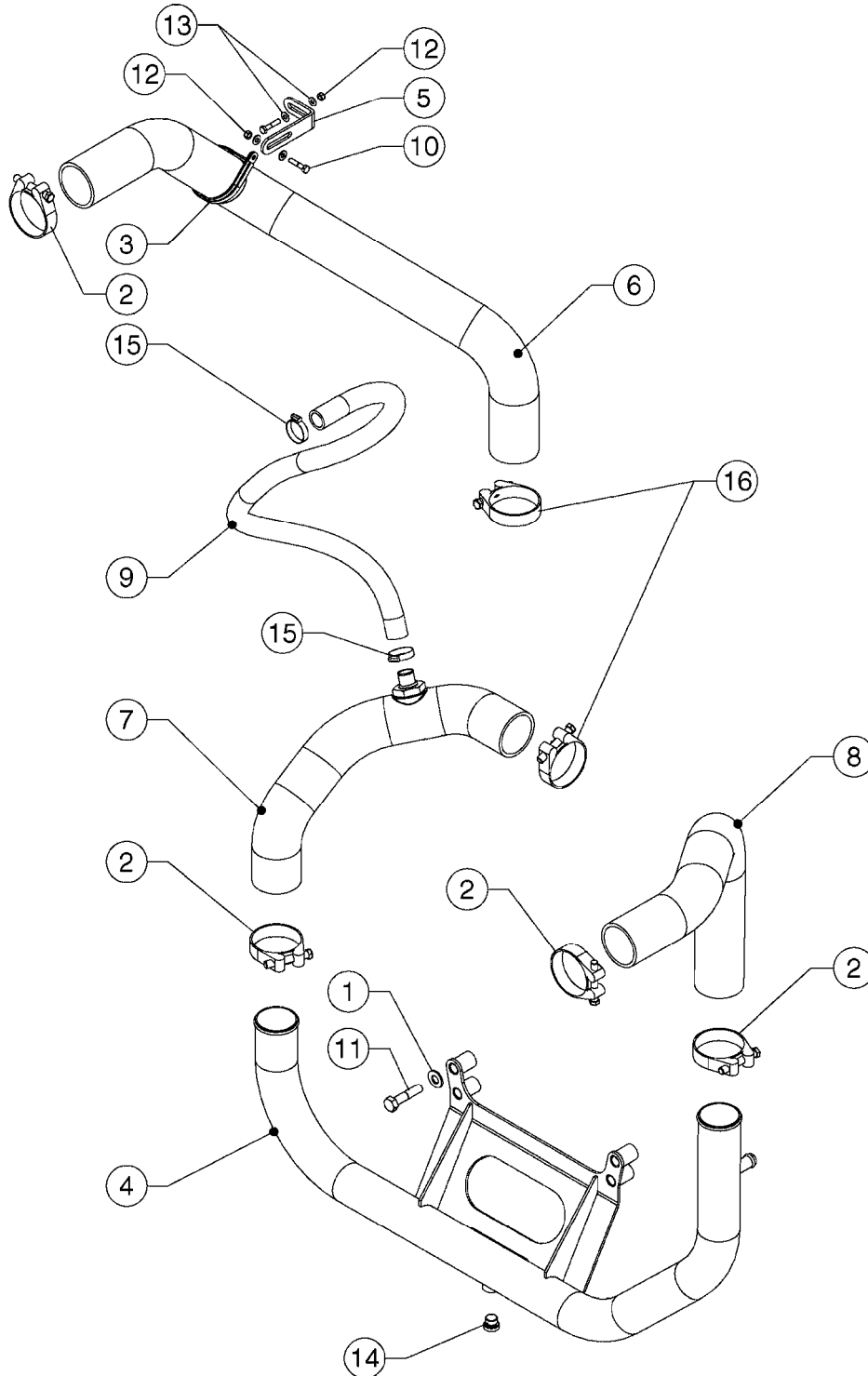


DEF CIRCUIT - RUBICON
P0060-HIN, 07:06:18

Page 2

Date 07.02.2020 8:06

Pos.	parts-n°	order qty	description
62	MA702017014	1	RIVET NUT M6
63	MA702017020	1	RIVET NUT M4 SS 2 TO 3.5
64	MA703001006	1	WASHER L8 SS
65	MA703001041	1	WASHER STEEL FLAT M4
66	MA703001049	1	WASHER M6 STEEL ZB
67	MA703001053	1	WASHER M8 SS
68	MA703001111	1	WASHER M12 SS
69	MA703001131	1	WASHER M6 SS A2



P0070-HIN

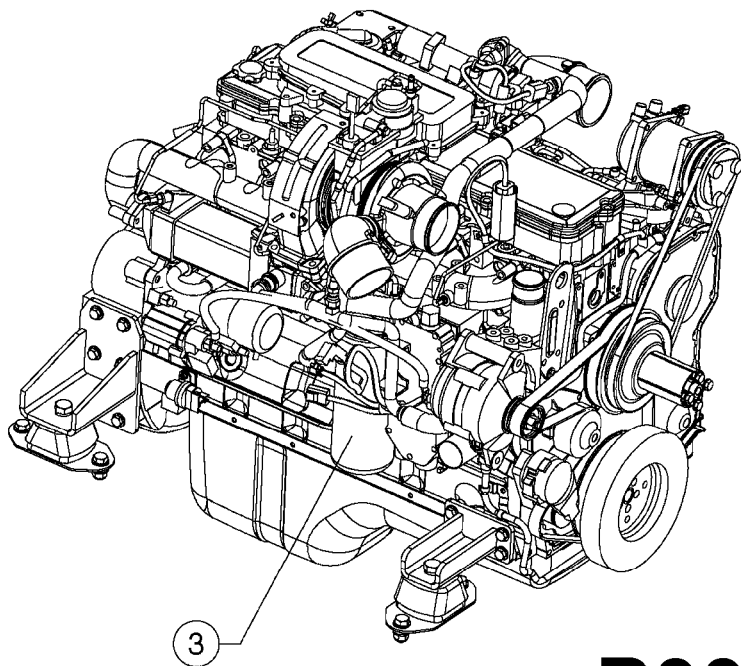
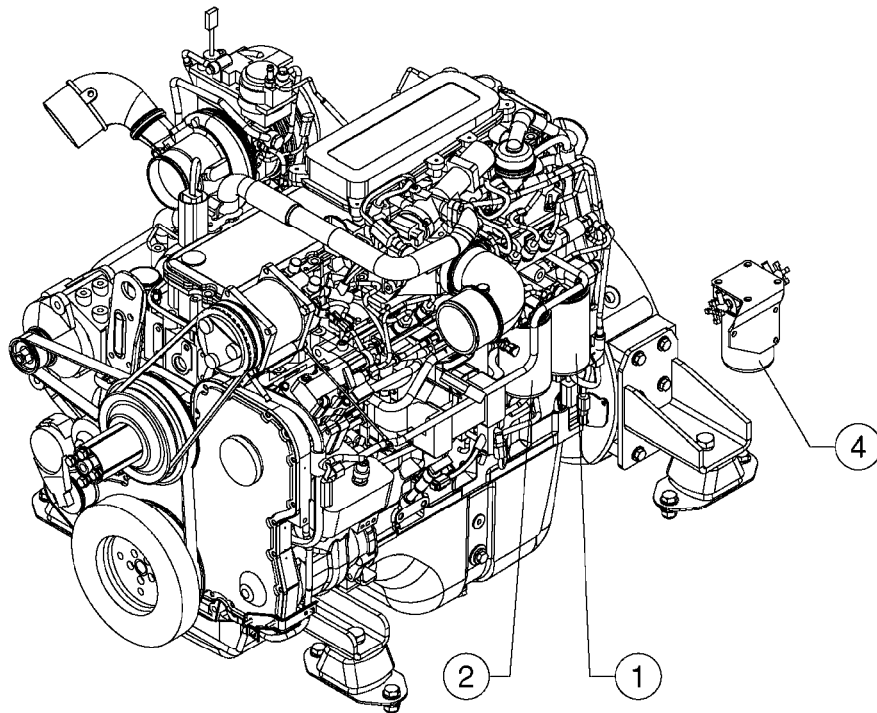


COOLANT HOSES - RUBICON
P0070-HIN, 19:06:18

Page 1

Date 07.02.2020 8:06

Pos.	parts-n°	order qty	description
1	471127	1	WASHER, M12, Ø24/13X24X2.5 SS
2	MA047868000	1	HOSE CLAMP Ø68/73
3	MA175198000	1	HOSE HANGER RSGU 1 75/15 W5
4	MA242566000	1	WATER PIPE WELDED
5	MA244880000	1	SUPPORT BRACKET
6	MA516001028	1	WATER HOSE INTØ60
7	MA516001029	1	WATER HOSE INTØ60
8	MA516001030	1	WATER HOSE INTØ60
9	MA516001031	1	COOLANT HOSE Ø22
10	MA701001056	1	BOLT HEX M6X30 8.8 ZB 931
11	MA701001382	1	BOLT HEX M12X55 8.8 ZB 931
12	MA702008002	1	LOCKNUT M6 A2 985
13	MA703001048	1	WASHER M6 SS
14	MA710533000	1	MALE PLUG BSPP 3/8"
15	MA715002007	1	HOSE CLAMP Ø25/40
16	MA715006010	1	HOSE CLAMP Ø64/67



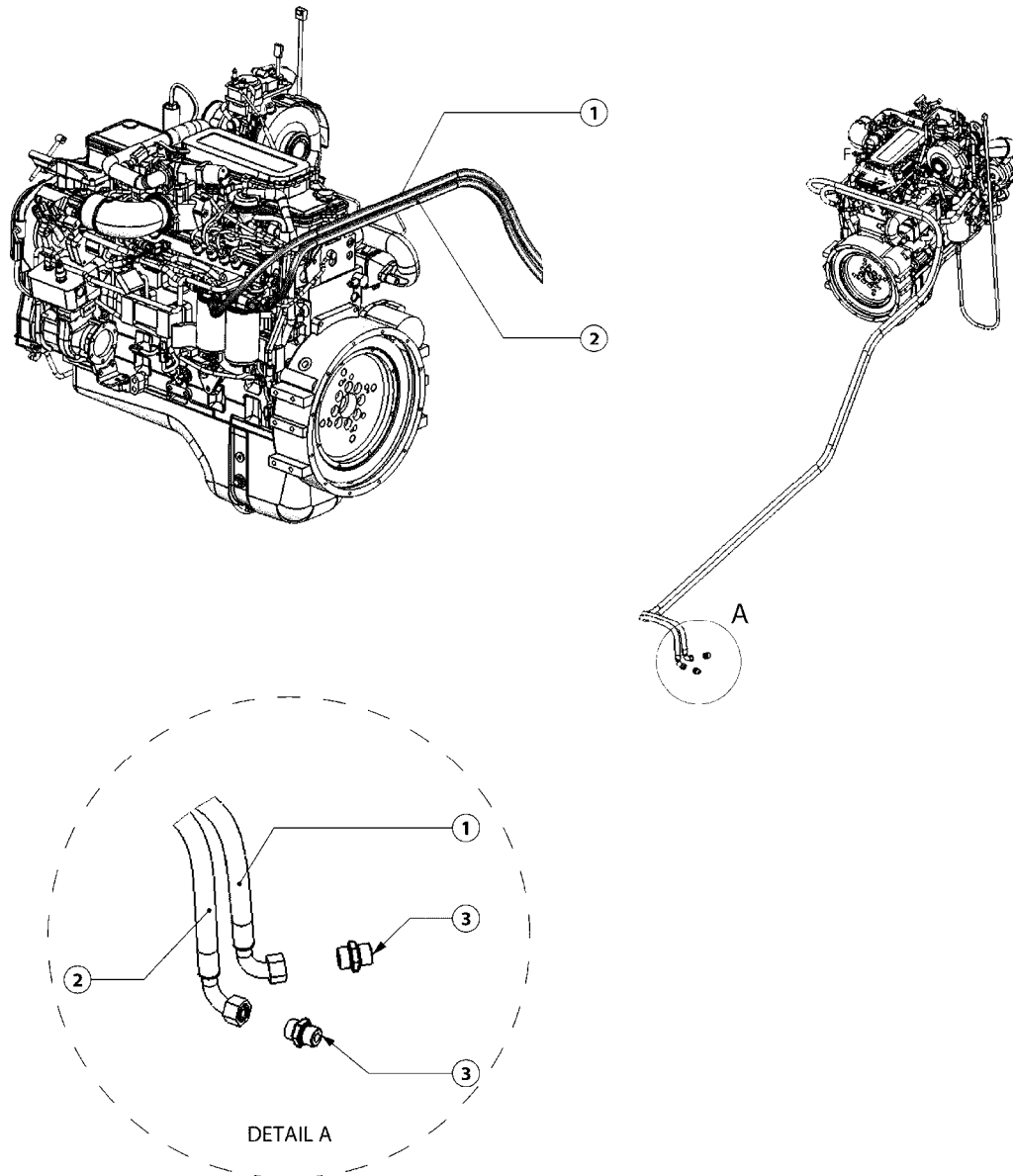
P0080-HIN



ENGINE FILTERS - RUBICON
P0080-HIN, 06:08:18

Page 1
Date 07.02.2020 8:06

Pos.	parts-n°	order qty	description
1	MA520002012	1	CUMMINS DIESEL PREFILTER QSL9
2	MA520002013	1	CUMMINS DIESEL FUEL FILTER QSL9
3	MA520004004	1	ENGINE OIL FILTER 'RUBICON'
4	MA520007001	1	COOLANT FILTER 'RUBICON'



P808-HAU



FUEL CIRCUIT - RUBICON
P808-HAU, 19:04:17

Page 1

Date 07.02.2020 8:06

Pos.	parts-n°	order qty	description
1	MA511640202	1	FLEXIBLE RETOUR GO
2	MA511640201	1	Gasoil suction flexible
3	MA710052006	1	ADAPTER UMA 15 X JE 15.21 L NS