



Agroparts: www.HARDI-INTERNATIONAL.com

PRESIDIO PRESIDIO SPC

Country-Code 11

Date 07.02.2020 8:02





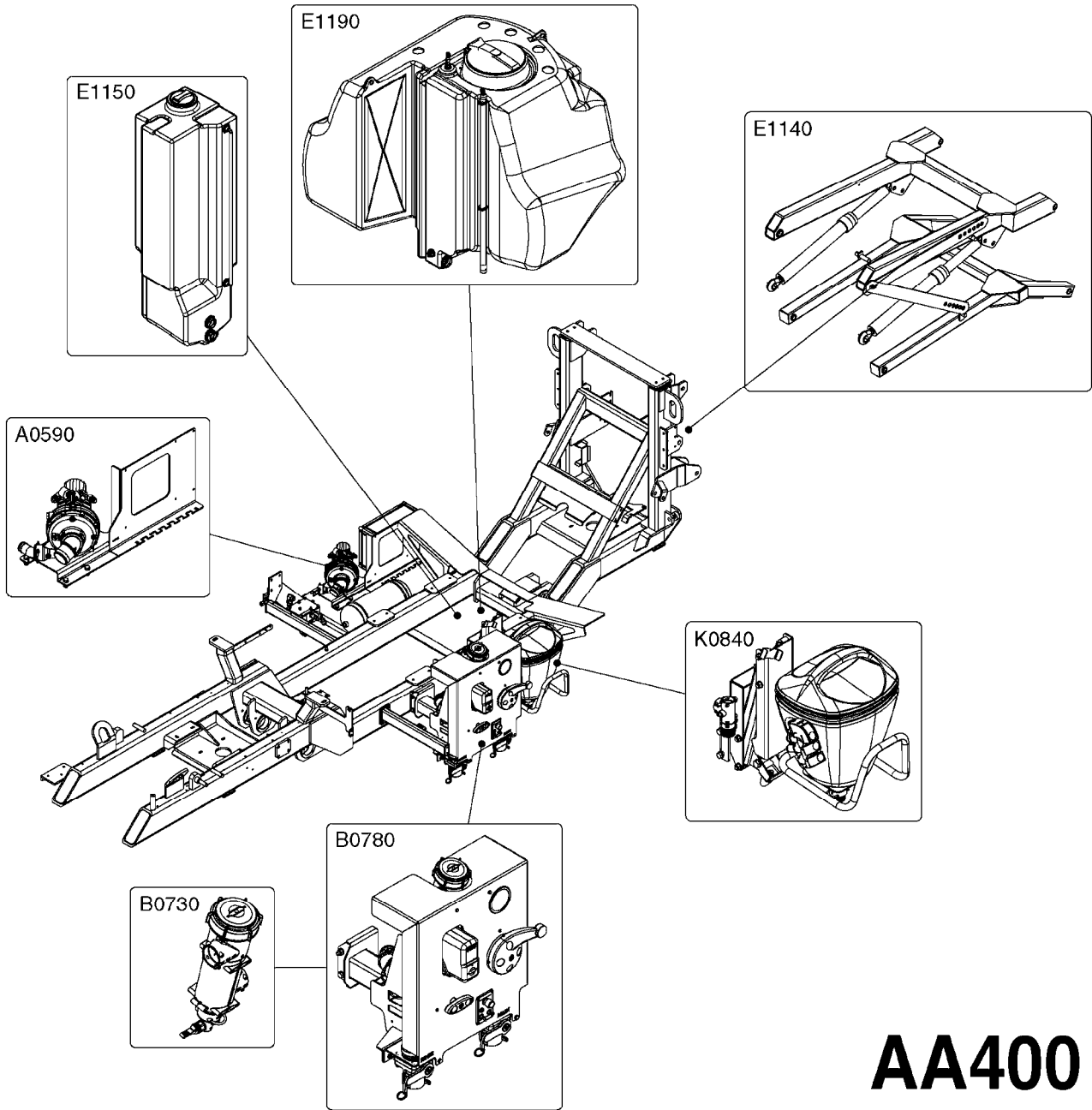
main group	page-n°	date	description
System overview	AA400-HIN	02:08:16	PRESIDIO 2700 SYSTEM OVERVIEW
Pumps	A0460-HIN	25:07:18	PUMP - 650 ACE CENTRIFUGAL SP
	A0590-HIN	30:08:16	PUMP ASSEMBLY - PRESIDIO
Controls, Filters, Valves	B424-HIA	29:09:16	AGITATION VALVE DF4
	B430-HIA	10:07:15	HANDLE/INDICATOR F.SMART VALVE
	B0430-HIN	12:09:19	MANIFOLD - S67 VALVE
	B0500-HIN	28:01:19	SMART VALVE S67 S93 (07)
	B0540-HIN	01:01:16	SMART VALVE-S93 MANIFOLD VALVE
	B0550-HIN	28:01:19	MANIFOLD - S93 VALVE (07)
	B0640-HIN	15:10:19	CHECK VALVES - S67 (2011)
	B0730-HIN	01:01:16	PRESSURE FILTER - CYCLONE
	B0780-HIN	03:08:16	MAIN FLUID - PRESIDIO
	B0790-HIN	30:08:16	S93 EJECTOR F.TURBOFILLER
Hydraulics	C700-HAU	11:01:16	PRESIDIO DOUBLE PUMP ON ENGINE
	C701-HAU	11:01:16	PRESIDIO HYDRAULIC RETURN CIRC
	C702-HAU	11:01:16	PRESIDIO MANIFOLD FILT. RE. L.
	C703-HAU	11:01:16	PRESIDIO HYDR. CIRC. FOR BOOMS
	C704-HAU	11:01:16	PRESIDIO POWER TAKE-OFF PUMP
	C709-HAU	11:01:16	PRESIDIO PNEUMATIC CIRCUIT
	C710-HAU	11:01:16	PRESIDIO HYD. STEERING CIRCUIT
	C711-HAU	11:01:16	HYD. STEERING CIRC. FRONT AXLE
	C712-HAU	11:01:16	PRESIDIO HYDRAULIC TANK
	C0640-HIN	22:08:17	HYD EAGLE HZ SPC 80'-100'
	C0690-HIN	09:01:18	HYD EAGLE HZ SPB 45'-66'
	C0760-HIN	11:10:17	HYD EAG. HZ SPC 90/60'DUALFOLD
	C0790-HIN	27:07:16	HYD. FLOW REG. BLOCK PRESIDIO
	C0800-HIN	03:06:19	HYD. LIFT BLOCK PRESIDIO
	C0810-HIN	08:09:16	BOOM HYD. CIRCUIT PRESIDIO
	C0910-HIN	13:05:19	HYDRAULIC SOLENOIDS
Booms, Nozzle Bodies & Tubes	D0400-HIN	17:10:19	BOOM - SPC INNER WING 80-100'
	D0410-HIN	01:01:16	BOOM - SPC OUTER WING 80-100'
	D0440-HIN	26:09:19	BOOM SPC PARAL.CTR.80-100' US
	D0460-HIN	11:10:17	BOOM SPC OUTER 90/60' DUALFOLD
	D0500-HIN	21:02:17	SPC PLUMB.BRACKETS - T25
	D0870-HIN	24:06:16	TRANSPORT BKTS - SPC PRESIDIO
	D1000-HIN	01:01:16	BOOM-NOZZLES 110° FLAT FAN ISO
	D1010-HIN	01:01:16	BOOM-NOZZLES 110° LOWDRIFT ISO
	D1020-HIN	01:01:16	BOOM-NOZZLES 80° FLAT FAN ISO
	D1030-HIN	28:11:17	BOOM-NOZZLE CAPS AND FILTERS
	D1040-HIN	01:01:16	BOOM-NOZZLES INJET
	D1050-HIN	01:01:16	BOOM-NOZZLES MINIDRIFT
	D1060-HIN	01:01:16	BOOM-NOZZLES QUINTASTREAM
	D1090-HIN	01:01:16	NOZZLE BODIES-SNAP FIT
	D1100-HIN	01:01:16	DOUBLE NOZZLE HOLDER-SNAP FIT
	D1110-HIN	08:04:19	NOZZLE TUBES & HOLDER-PLASTIC
	D1130-HIN	05:04:18	NOZZLE BODIES - T25
	D1140-HIN	29:11:17	NOZZLE TUBES - PLASTIC T25
	D1150-HIN	01:03:18	NOZZLE TUBES - STNLS STEEL T25
	D1240-HIN	26:09:19	SPC BOOM CENTER TRACK 2017
Tank and Frame: Field Sprayers	E702-HAU	18:07:17	2 WHEEL STEERING MECH. SYSTEM
	E703-HAU	11:01:16	PRESIDIO FRAME TANK SUPPORT
	E705-HAU	11:01:16	PRESIDIO SUSPENSION



main group	page-n°	date	description	
Special equipment, Extras	E1130-HIN	22:06:16	PRESIDIO MUDGUARDS	
	E1140-HIN	23:06:16	PRESIDIO PARALIFT	
	E1150-HIN	01:08:17	PRESIDIO RINSE TANK FRAME	
	E1160-HIN	10:01:18	PRESIDIO PLATFORM	
	E1170-HIN	03:08:16	PRESIDIO FUEL TANK ASSEMBLY	
	E1180-HIN	22:08:17	PRESIDIO SIDE LADDER	
	E1190-HIN	23:08:18	PRESIDIO MAIN TANK	
	E1300-HIN	13:03:18	PRESIDIO VARIABLE TRACK	
	Fittings	K0156-HIN	14:09:16	DECALS - PRESIDIO
		K0474-HIN	29:09:16	FOAM MARKER - RICHWAY SP
K0476-HIN		26:02:18	FOAM MARKER - DROPPER RICHWAY	
K0478-HIN		26:09:16	FOAM MARKER - DUAL DROPPER RICHWAY	
K0785-HIN		16:01:18	SMV/SPEED SIGNS & BRACKETS	
K0840-HIN		25:04:19	TURBOFILLER - PRESIDIO	
K0820-HIN		04:12:19	TURBOFILLER S25 MANIFOLD	
Electrical Equipment	L0100-HIN	21:06:18	FITTINGS - S-67	
	L0110-HIN	13:09:17	FITTINGS - S-93	
	L0120-HIN	17:10:19	BULK HOSE	
	L0130-HIN	16:10:19	HOSE CLAMPS	
	L0140-HIN	01:01:16	FITTINGS - T25	
Transmissions	M0410-HIN	12:12:16	SYSTEM OVERVIEW PRESIDIO	
	M0420-HIN	21:07:16	SPRAY CENTER PRESIDIO	
	M0430-HIN	26:07:16	JOB COM PRESIDIO	
	M0341-HIN	26:07:16	HC6301 GRIP ISO	
	M0440-HIN	25:07:16	GPS 6000/6500 ANTENNA	
	M0460-HIN	06:12:16	HC8500/9500 DISPLAY	
	M0470-HIN	06:12:16	HC8600/9600 DISPLAY	
	M0130-HIN	12:12:16	COMMON SENSORS AND BRACKETS	
	M700-HAU	14:06:16	PRESIDIO STEERING COLUMN WIRING	
	M701-HAU	11:01:16	PRESIDIO ELEC.COMP. RIGHT SIDE	
	M702-HAU	11:01:16	PRESIDIO RELAYS PRINTED CIRC.	
	M703-HAU	11:01:16	PRESIDIO FUSES IN SIDE	
	M704-HAU	11:01:16	PRESIDIO WIRING HARNESS CONS.	
	M705-HAU	11:01:16	PRESIDIO ELECTRICAL CONSOLE	
	M706-HAU	11:01:16	PRESIDIO ELECTRICAL ON ENGINE	
	M707-HAU	11:01:16	PRESIDIO GND WIRING	
	M708-HAU	11:01:16	PRESIDIO POWER WIRING	
M709-HAU	11:01:16	PRESIDIO MAIN WIRING HARNESS F		
M710-HAU	11:01:16	PRESIDIO MAIN WIRING HARNESS R		
M711-HAU	11:01:16	PRESIDIO FRONT LIGHTS		
Cabin	N0020-HIN	30:07:19	PRESIDIO HYDRAULIC MOTORS	
	N700-HAU	11:01:16	PRESIDIO FORWARD PUMP	
	N701-HAU	11:01:16	PRESIDIO FORW. PUMP HYD. CIRC.	
	N703-HAU	11:01:16	PRESIDIO DRIVE CONTROL VALVE	
	N704-HAU	11:01:16	PRESIDIO FRONT TRANSMISSION C.	
	N705-HAU	11:01:16	PRESIDIO REAR TRANSMISSION C.	
	N706-HAU	11:01:16	PRESIDIO ACCUMULATION HYD. C.	
	N707-HAU	11:01:16	PRESIDIO DYNAMIC BRAKING UNIT	
	N708-HAU	11:01:16	PRESIDIO DYNAMIC BRAKING ACCUM	
	N709-HAU	11:01:16	PRESIDIO BRAKING HYD. CIRCUIT	
N710-HAU	11:01:16	PRESIDIO FORWARD PUMP		
	O700-HAU	11:01:16	PRESIDIO FORWARD CONTROL	
	O701-HAU	11:01:16	PRESIDIO AIR CONDITIONING CAB	



main group	page-n°	date	description
Engine	O702-HAU	11:01:16	PRESIDIO AIRCONDITIONING COMPR
	O703-HAU	11:01:16	PRESIDIO SEAT & RIGHT ARMREST
	O704-HAU	11:01:16	PRESIDIO STEERING COLUMN
	O705-HAU	11:07:17	PRESIDIO CABIN
	O706-HAU	11:01:16	PRESIDIO SEAT LOWER PART
	O707-HAU	11:01:16	PRESIDIO SEAT UPPER PART
	P700-HAU	11:01:16	PRESIDIO ENGINE
	P701-HAU	11:01:16	PRESIDIO RADIATOR/CONNECTORS
	P702-HAU	11:01:16	PRESIDIO AIR FILTER
	P703-HAU	11:01:16	PRESIDIO EXHAUST SYSTEM
	P704-HAU	11:01:16	PRESIDIO DIESEL OIL CIRCUIT
	P705-HAU	11:01:16	PRESIDIO ENGINE COVER 1
	P706-HAU	11:01:16	PRESIDIO ENGINE COVER 2
	P707-HAU	11:01:16	PRESIDIO DEUTZ ENGINE PARTS



AA400

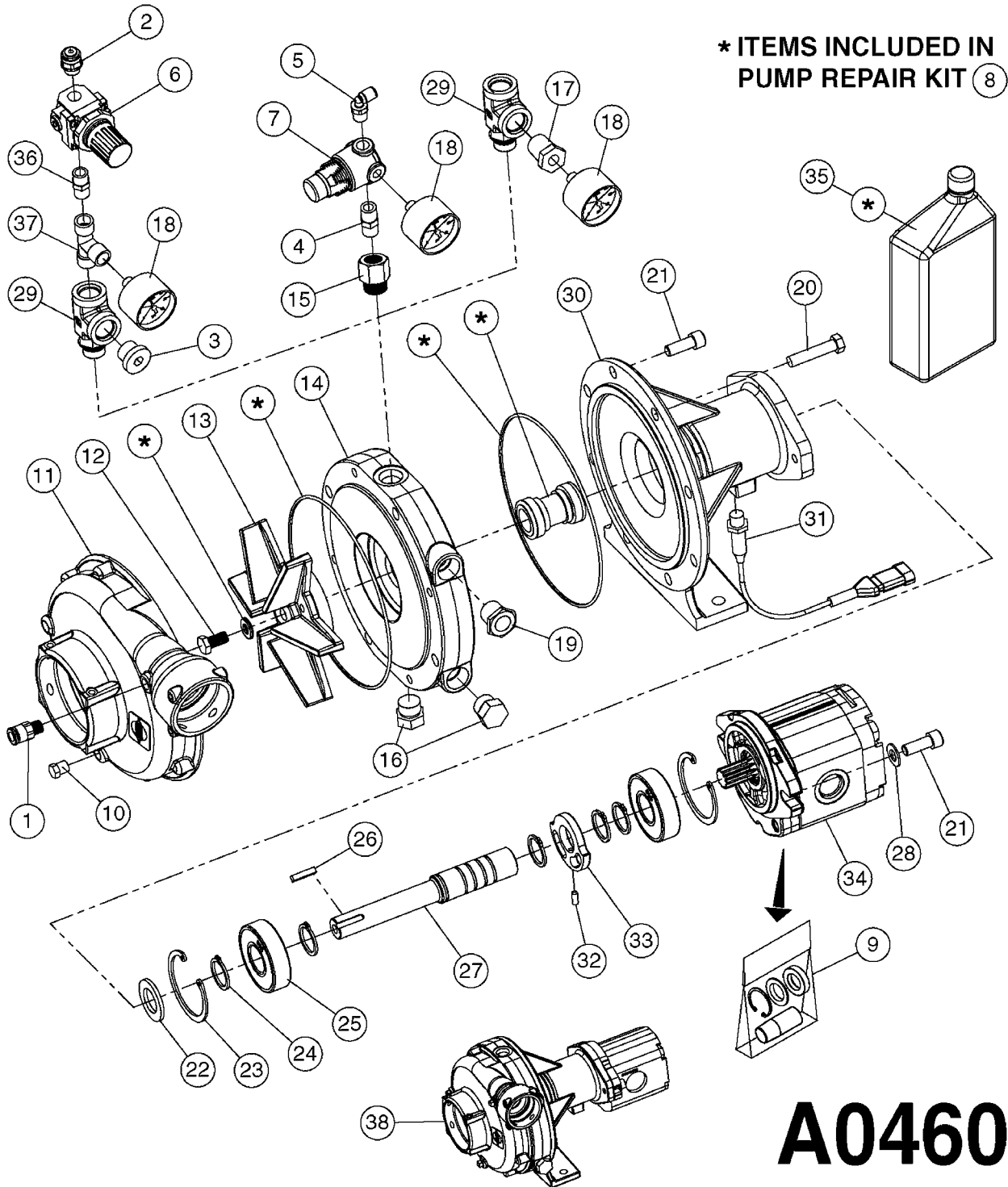


PRESIDIO 2700 SYSTEM OVERVIEW
AA400-HIN, 02:08:16

Page 1

Date 07.02.2020 8:02

parts-n°	order qty	description



A0460

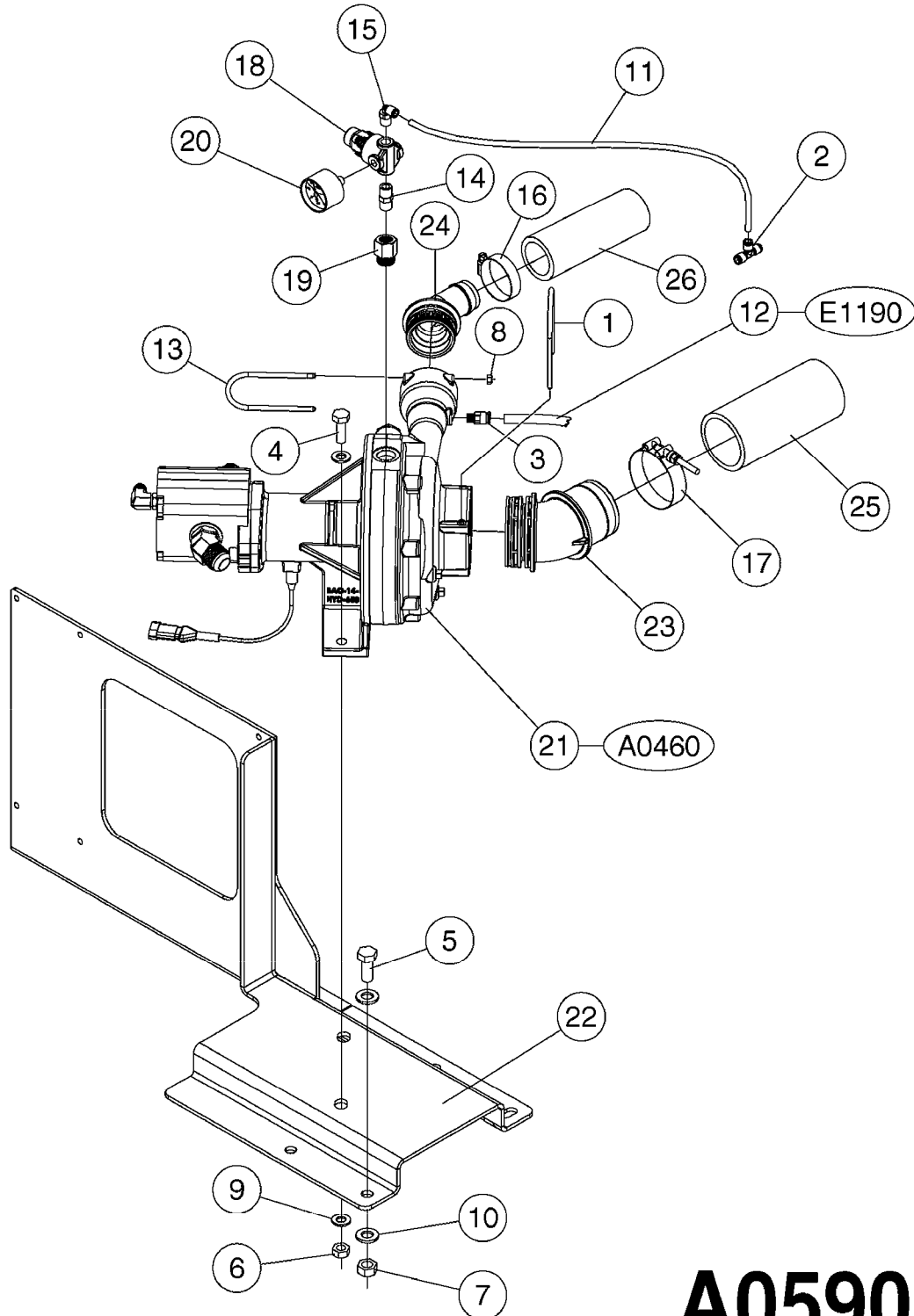


PUMP - 650 ACE CENTRIFUGAL SP
A0460-HIN, 25:07:18

Page 1

Date 07.02.2020 8:02

Pos.	parts-n°	order qty	description
1	232152	1	QUICK COUPLER 8MMX1/8 EXT.LONG
2	288660	1	FITTING G1/4"-Ø4 mm
3	786890	1	PLUG M18X1.5 ORA3C W/GASKET
4	23004203	1	FITT 1/4" NPTF-1/4" NPTF UNION
5	23005803	1	FITT, 1/4" NPT X 6MM 90 PTC
6	28024901	1	AIR PRESSURE REGULATOR 1/4" BSP 0.5-10B
7	28065303	1	REGULATOR 1/4", 30PSI, PARKER
8	28066503	1	PUMP REPAIR KIT ACE 650
9	28066603	1	MOTOR REPAIR KIT ACE 650
10	28068303	1	PLUG 1/8" NPT SS
11	28068403	1	PUMP HOUSING FRONT ACE 650
12	28068503	1	CAP SCREW 3/8" X 3/4" SS
13	28068603	1	IMPELLER, WETSEAL SS ACE 650
14	28068703	1	SEAL PLATE SS ACE 650
15	28068803	1	ADAPTER #8 SAE X 1/4" FNPT
16	28069003	1	PLUG #8 SAE X 1/8" FNPT
17	28069103	1	ADAPTER #8 SAE X 1/8" FNPT
18	28069203	1	PRESS.GAUGE 0-60 PSI 1/8" NPT
19	28069303	1	SIGHT GAUGE #8 SAE W/FLOAT
20	28069503	1	CAP SCREW 3/8" X 2"
21	28069603	1	CAP SCREW 3/8" X 1"
22	28069703	1	SLINGER 1.5" X 7/8"
23	28069803	1	SNAP RING INTERNAL, FRAME
24	28069903	1	SNAP RING EXTERNAL, SHAFT
25	28070003	1	BEARING F.ACE 650 PUMP
26	28070103	1	KEY 0.188 X 0.188 X 0.875
27	28070203	1	SHAFT 11T FEMALE SPLINE SS
28	28070503	1	WASHER 3/8" SS
29	28072103	1	TEE MALE #8 SAE
30	28072203	1	PUMP HOUSING REAR ACE 650CDRPM
31	28072303	1	SENSOR, RPM, ACE 650
32	28072403	1	SET SCREW 10-24 X 1/2"
33	28072503	1	STONE WHEEL, SINGLE TOOTH
34	28072603	1	HYDRAULIC MOTOR W/CASE DRAIN
35	29004303	1	ACE 650, BARRIER FLUID 32oz
36	RA15AA7259	1	STRAIGHT FITTING BSP1/4" 0121-1313
37	RA15AA7260	1	T PIECE, F-F-F, BSP1/4"
38	28059003	1	PUMP ACE FMCWS-650-HARDI-CD-SS SARITOR, RUBICON
38	28086303	1	PUMP ACE FMCWS-650-HARDI-PRESIDIO PRESIDIO



A0590

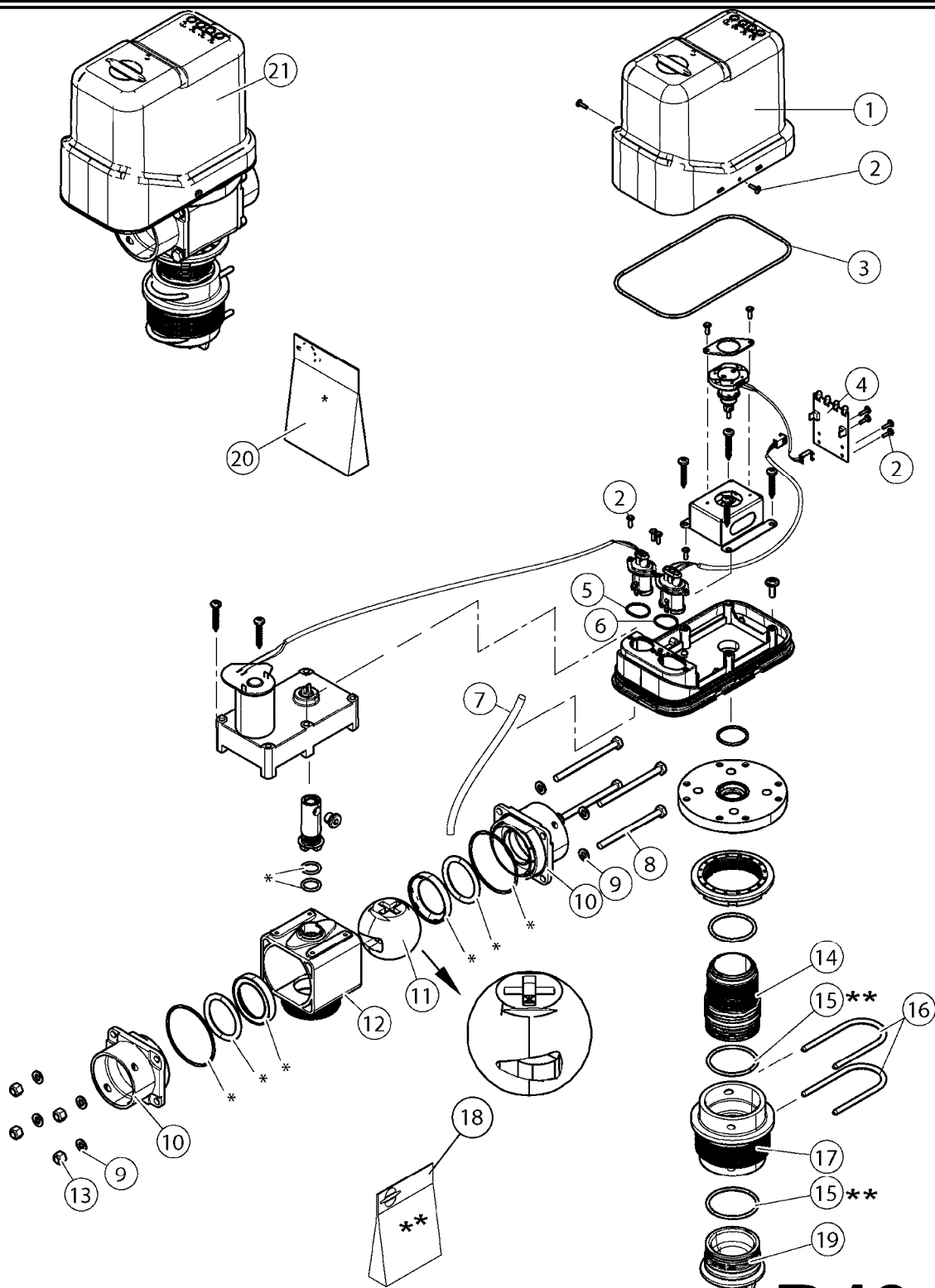


PUMP ASSEMBLY - PRESIDIO
A0590-HIN, 30:08:16

Page 1

Date 07.02.2020 8:02

Pos.	parts-n°	order qty	description
1	145997	1	FITT.DK S-93 FORK
2	232113	1	QUICK COUPLER 6MM T-PIECE
3	232152	1	QUICK COUPLER 8MMX1/8 EXT.LONG
4	421002	1	BOLT HEX 8.8 DEL M10X30 FT DIN933
5	430286	1	BOLT HEX 8.8 DEL M12X30 FT
6	460423	1	NUT HEX M10X1.50 LOCK DIN985A2 SS
7	460703	1	NUT HEX M12X1.75 LOCK DIN985A2 SS
8	461217	1	NUT HEX M5 LOCK
9	471122	1	WASHER, M10, Ø20/10.5X 2.0, SS
10	471127	1	WASHER, M12, Ø24/13X24X2.5 SS
11	927264	1	HOSE R X PE D6/D4 X 0012"
12	927306	1	HOSE R X PE D8/D6 X 0012"BLACK
13	14012200	1	FITT.DK S-67 FORK W/M5 THREADS
14	23004203	1	FITT 1/4" NPTF-1/4" NPTF UNION
15	23005803	1	FITT, 1/4" NPT X 6MM 90 PTC
16	28030103	1	CLAMP HOSE GEAR P5/4-S1.5"6724
17	28030303	1	CLAMP HOSE T-BOLT S2.5" 235-76
18	28065303	1	REGULATOR 1/4", 30PSI, PARKER
19	28068803	1	ADAPTER #8 SAE X 1/4" FNPT
20	28069203	1	PRESS.GAUGE 0-60 PSI 1/8" NPT
21	28086303	1	PUMP ACE FMCWS-650-HARDI-PRESIDIO
22	61019403	1	BRACKET, ACE 650 PUMP, JOBCOM, PRESIDIO
23	72072900	1	FITT. S93 2-1/2" 45° S W/O-RING
24	72433100	1	FITT.DK S-67 45° 1-1/4"W/ORING
25	92702803	1	HOSE PVC SUCT GRAY 2.5"
26	92734403	1	HOSE R X5/4" X200PSI WP X0012"



B424



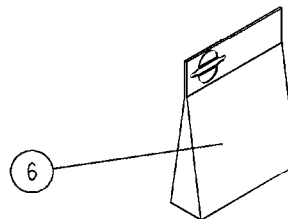
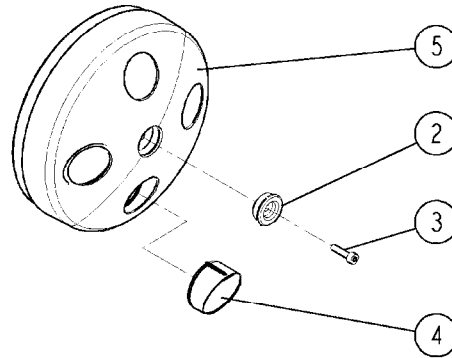
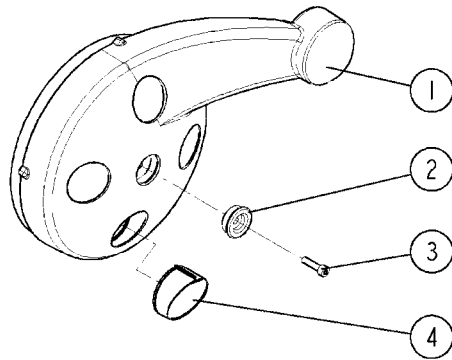
AGITATION VALVE DF4
B424-HIA, 29:09:16

Page 1
Date 07.02.2020 8:02

Pos.	parts-n°	order qty	description
1	33521000	1	REG.MOTOR COVER CERAMIC 2011
2	44075500	1	SCREW 25X10 WIN5451/TORX
3	24264300	1	O-RING Ø 148.0 X 3 SH70 VITON
4	72908500	1	REG.VALVE PCB ASSY FK
5	24265300	1	O-RING Ø 20.0 X 1.5 SH70 VITON
6	24264200	1	O-RING Ø 23.0 X 1.5 SH70 VITON
7	25197400	1	PE-HOSE Ø8/6 BLACK L = 0.6M
8	410605	1	BOLT HEX 8.8 DEL M6X80
9	471125	1	WASHER M6U 6.4X14X1.2,A2 SS
10	334497	1	END COVER 3 WAY VALVE S-67
11	39136000	1	BALL F.AGITATION VALVE A340
12	390623	1	HOUSING F.3 WAY VALVE
13	460261	1	NUT HEX M6X1.00 LOCK DIN985 A2 SS
14	322325	1	FITT.DK S-67 X 1-1/2"BSP LONG
15	242353	1	O-RING 3 X 44.2 VITON
15	241973	1	O-RING Ø3 X 44.2 70 SHORES NITRIL
16	145996	1	FITT.DK S-67 FORK
17	322104	1	FITT.DK S-67 BULKHEAD
18	74196100	1	BAG OF 10 PCS. 241973 O-RINGS
19	334250	1	FITT.DK S-67 PLUG
20	74193000	1	REPAIR KIT FOR S67 VALVE
21	72867700	1	S67 EL. AGITATION VALVE HALL SENSOR "11" HE



Se B528 kryds/aksler



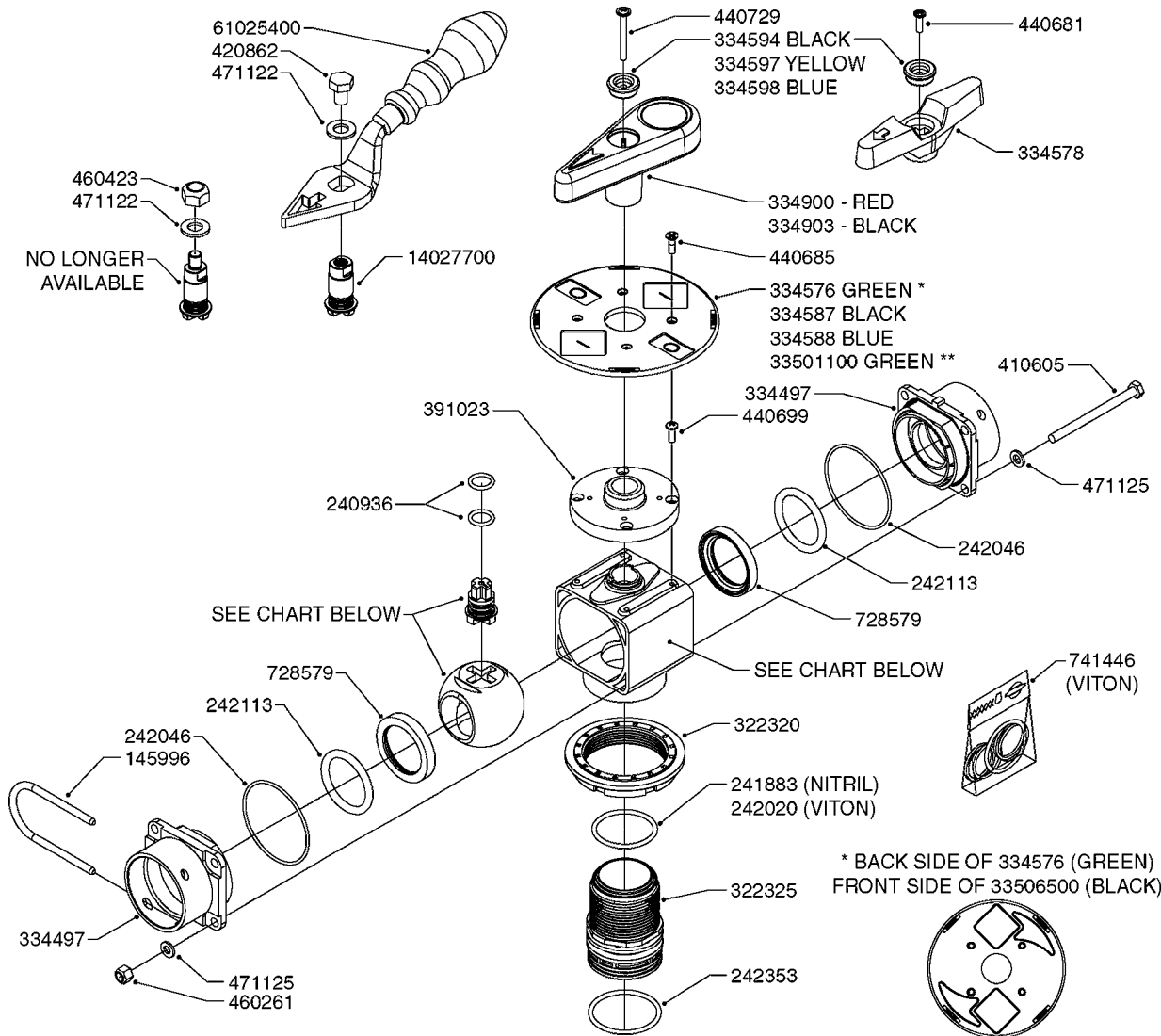
B430



HANDLE/INDICATOR F.SMART VALVE
B430-HIA, 10:07:15

Page 1
Date 07.02.2020 8:02

Pos.	parts-n°	order qty	description
1	33505700	1	SMART VALVE HANDLE
2	334594	1	PLUG F.VALVE HANDLE BLACK
3	450902	1	BOLT ALLEN HEAD M4 X 16MM
4	33505200	1	PLUG FOR SMART VALVE HANDLE
5	33508600	1	POSITION INDICATOR/SMART VALVE
6	74194100	1	PACKAGE OF ICONS - CM-NAV



					-	
728391	334594	334576	390204	390623	-	334600
728393	334598	334588	390238	390251	-	334600
728945	334597	-	390262	390777	-	334600
729796	334594	334587	390204	390623	-	334600
840062	334594	334576	391180	390623	-	334600
841062	334594	334576	390204	390623	-	334600
72113700	334594	334576	391180	390623	-	334600
72172100	-	33501100	391039	390623	391023	14027700
72172200	-	-	391039	390623	-	334600
72283600	334594	33506500	391180	390623	391023	334600
72292500	-	-	391180	390623	-	14027700
72538000	-	-	391039	390623	391023	14075700
72691600	334594	334587	390262	390623	-	334600

B0430



MANIFOLD - S67 VALVE
B0430-HIN, 12:09:19

Page 1
Date 07.02.2020 8:02

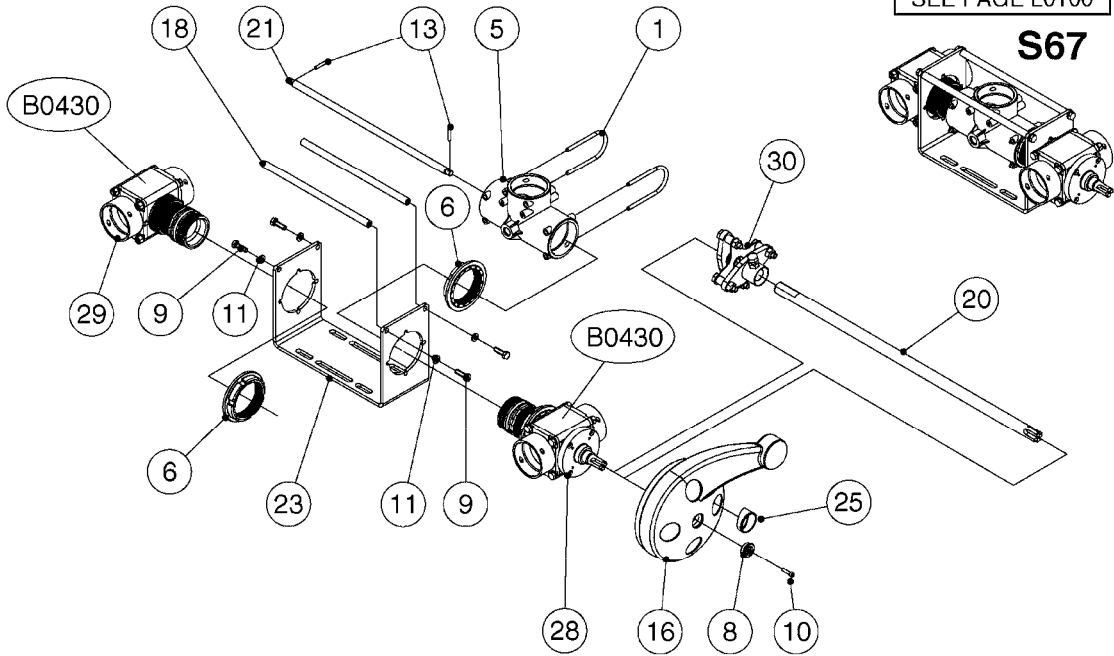
parts-n°	order qty	description
145996	1	FITT.DK S-67 FORK
240936	1	O-RING D13.3X2.4 NITRIL
241883	1	O-RING 3 X 39.2 NITRIL
242020	1	O-RING 39.2 X 3 VITON
242046	1	O-RING D60X2
242113	1	O-RING D37.5X5.3 VITON
242353	1	O-RING 3 X 44.2 VITON
322320	1	NUT F.3 WAY VALVE S56
322325	1	FITT.DK S-67 X 1-1/2"BSP LONG
334497	1	END COVER 3 WAY VALVE S-67
334576	1	FACE PLATE F. BALL VALVE GREEN
334578	1	HANDLE FOR VALVE 'OLD' STYLE
334587	1	FACE PLATE F.BALL VALVE BLACK
334588	1	FACE PLATE F. BALL VALVE BLUE
334594	1	PLUG F.VALVE HANDLE BLACK
334597	1	PLUG F.VALVE HANDLE YELLOW
334598	1	PLUG F.VALVE HANDLE BLUE
334600	1	SPINDLE F.3 WAY VALVE
334900	1	HANDLE F.3 WAY VALVE TALL '00
334903	1	HANDLE S67/93 VALVE BLACK
390204	1	BALL F. 3 WAY SUCTION VALVE
390238	1	BALL F. 3 WAY PRESSURE VALVE
390251	1	MOTOR HOUSING F. 3-WAY VALVE
390262	1	BALL F. 2 WAY VALVE
390623	1	HOUSING F.3 WAY VALVE
390777	1	HOUSING F.BALL VALVE 3 WAY
391023	1	SMART VALVE MOUNTING BRACKET
391039	1	BALL F. S67 SMART VALVE
391180	1	BALL F. AGITATOR S67 ARE 268
410605	1	BOLT HEX 8.8 DEL M6X80
420862	1	BOLT HEX 8.8 DEL M10X16 FT
440681	1	SCREW F. PLASTIC 4MM X 14LG SS
440685	1	SCREW F.PLASTIC 4X14 SS C-SUNK
440699	1	SCREW F. PLASTIC 4MMM X12LG SS
440729	1	SCREW F. PLASTIC 4MM X40LG SS
460261	1	NUT HEX M6X1.00 LOCK DIN985 A2 SS
460423	1	NUT HEX M10X1.50 LOCK DIN985A2 SS
471122	1	WASHER, M10, Ø20/10.5X 2.0, SS
471125	1	WASHER M6U 6.4X14X1.2,A2 SS
728391	1	VALVE S67 PRESSURE MANIFOLD
728393	1	VALVE 3 WAY F.AGITAT.SHUTOFF
728579	1	SEAL F BALL
728945	1	VALVE 2-WAY YELLOW W.S-67 ENDS
729796	1	VALVE S-67 MANUAL D33 J-D
741446	1	REPAIR KIT F.S67 VALVE - VITON
840062	1	VALVE S67 PRESSURE AGITATION
841062	1	VALVE KIT S67 PRESS. MANIFOLD
14027700	1	SPINDLE F.SMART VALVE S67 L=36
14075700	1	SPINDLE F.SMART VALVE S67 L=81
33501100	1	FACE PLATE F.SMART VALVE GREEN
33506500	1	FACE PLATE F.BALL VALVE BLACK
61025400	1	HANDLE SMART VALVE
72113700	1	VALVE, VARIABLE AGITATION
72172100	1	VALVE S67 "V1" SMART VALVE
72172200	1	VALVE S67 "V2" SMART VALVE
72283600	1	VALVE S67 AGITATION NCM
72292500	1	VALVE S67 SMART VALVE NEW NAV
72538000	1	VALVE S67, LONG SPINDLE
72691600	1	VALVE, S67, 2-WAY F. FILLER



SMART VALVE S67 S93 (07)
B0500-HIN, 28:01:19

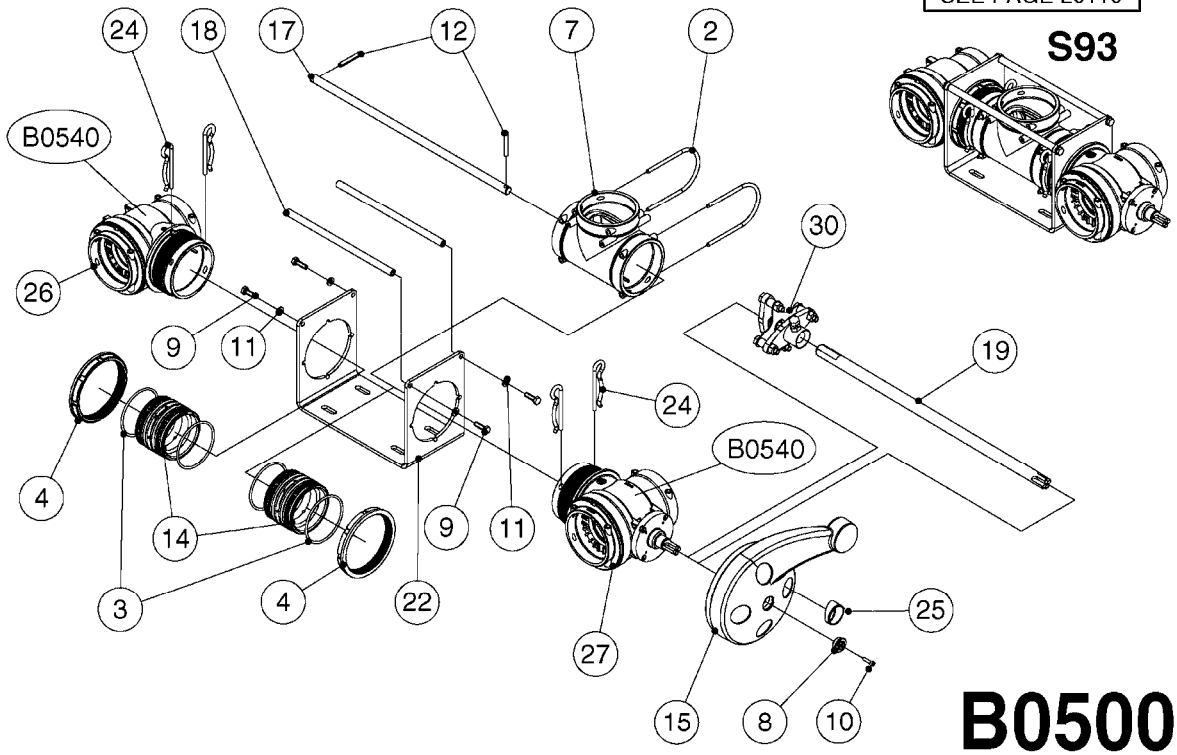
FOR S67 FITTINGS
SEE PAGE L0100

S67



FOR S93 FITTINGS
SEE PAGE L0110

S93



B0500



SMART VALVE S67 S93 (07)
B0500-HIN, 28:01:19

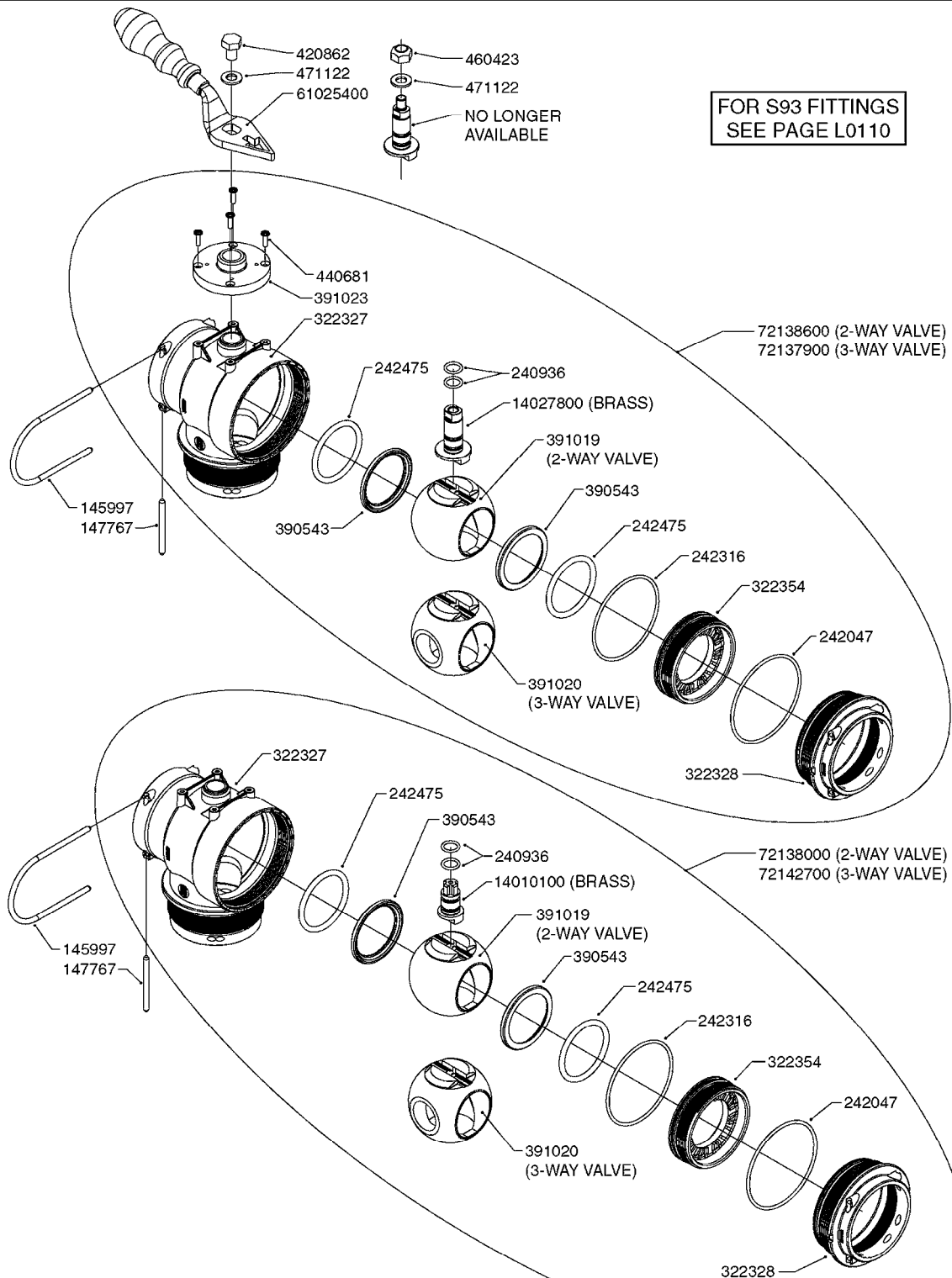
Page 1
Date 07.02.2020 8:02

Pos.	parts-n°	order qty	description
1	145996	1	FITT.DK S-67 FORK
2	145997	1	FITT.DK S-93 FORK
3	242351	1	O-RING D69.5X3.0 VITON F.S-93
4	322109	1	FITT.DK S-93 BULKHEAD NUT
5	322224	1	FITT.DK S-67 TEE
6	322320	1	NUT F.3 WAY VALVE S56
7	334545	1	FITT.DK S-93 TEE
8	334594	1	PLUG F.VALVE HANDLE BLACK
9	410362	1	BOLT HEX 8.8 SS M6X20
10	410922	1	CYL.SKR 8.8 DEL M4X20 RST
10	450902	1	BOLT ALLEN HEAD M4 X 16MM
11	471125	1	WASHER M6U 6.4X14X1.2,A2 SS
12	480733	1	PIN D6 X 40
13	480803	1	PIN Ø4 X 25
14	728525	1	FITT. S93 CONNECTOR W/O-RINGS
15	741844	1	VALVE HANDLE ASSY. SUCTION NCM
16	741845	1	VALVE HANDLE ASSY. PRESSUR NCM
17	14021500	1	SPINDLE F.S93 SMART VALVE
18	14022700	1	SPACER TUBE Ø10 L=212 SS
19	14038100	1	AXLE FOR SUCTION VALVE HANDLE
20	14038200	1	AXLE FOR PRESSURE VALVE HANDLE
21	14068700	1	SPINDLE,SMART VALVE S67 10MM
22	16059900	1	BRACKET 2 STK S93 SMART VALVE
23	16082300	1	BRACKET 2PCS S67 VALVE 15 BAR
24	28168400	1	HAIRPIN Ø5 S67/S93
25	33505200	1	PLUG FOR SMART VALVE HANDLE
26	72138000	1	VALVE S93 "V2" SMART VALVE
27	72138600	1	VALVE S93 "V3" SMART VALVE
28	72172100	1	VALVE S67 "V1" SMART VALVE
28	72538000	1	NCM 4400/6600 VALVE S67, LONG SPINDLE NAV 3000/4000
29	72172200	1	VALVE S67 "V2" SMART VALVE
30	72283000	1	AXLE JOINT F. SMARTVALVE HANDL



SMART VALVE-S93 MANIFOLD VALVE
B0540-HIN, 01:01:16

Page 0
Date 07.02.2020 8:02



B0540

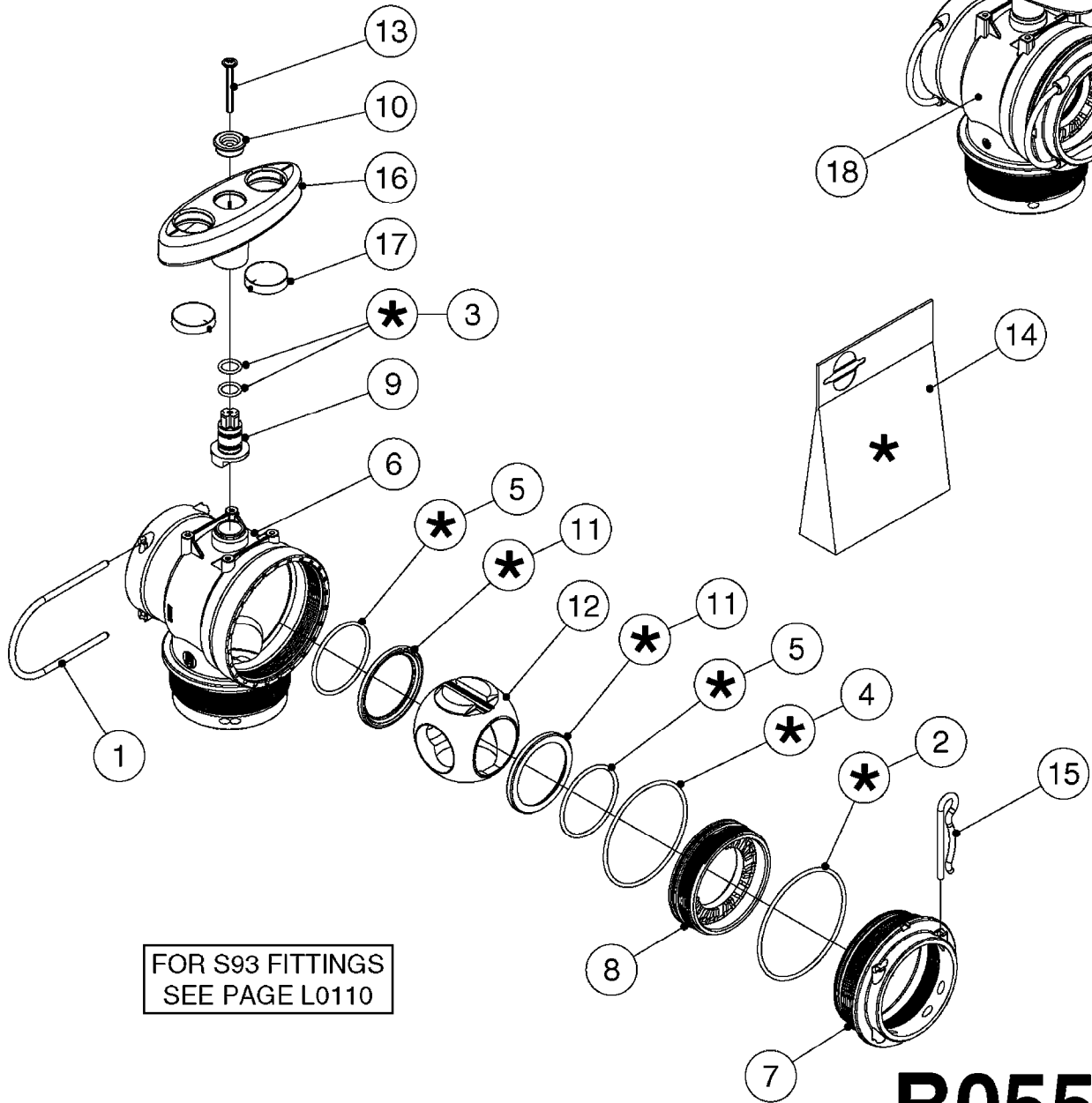


SMART VALVE-S93 MANIFOLD VALVE
B0540-HIN, 01:01:16

parts-n°	order qty	description
145997	1	FITT.DK S-93 FORK
147767	1	PIN 5Ø X 60 S-93 DOUBLE CLAMP
240936	1	O-RING D13.3X2.4 NITRIL
242047	1	O-RING 89.5 X 3.0 VITON
242316	1	O-RING D84.5X3.0 NITRIL
242475	1	O'RING D56.52x5.33 SH70-VITON
322327	1	HOUSING, VALVE, S93, 220 PSI
322328	1	END CAP F.VALVE S-93
322354	1	THRUST PLATE F.3-WAY VALVES-93
390543	1	SEAT F.BALL 3-WAY VALVE S-93
391019	1	BALL F.2 WAY S93 SMART VALVE
391020	1	BALL F.3 WAY S93 SMART VALVE
391023	1	SMART VALVE MOUNTING BRACKET
420862	1	BOLT HEX 8.8 DEL M10X16 FT
440681	1	SCREW F. PLASTIC 4MM X 14LG SS
460423	1	NUT HEX M10X1.50 LOCK DIN985A2 SS
471122	1	WASHER, M10, Ø20/10.5X 2.0, SS
14010100	1	SPINDLE F.SMART VALVE S-93
14027800	1	SPINDLE F.SMART VALVE S-93
61025400	1	HANDLE SMART VALVE
72137900	1	VALVE S93 "V1" SMART VALVE
72138000	1	VALVE S93 "V2" SMART VALVE
72138600	1	VALVE S93 "V3" SMART VALVE
72142700	1	VALVE S93 "V4" SMART VALVE



S93 (07)



FOR S93 FITTINGS
SEE PAGE L0110

B0550

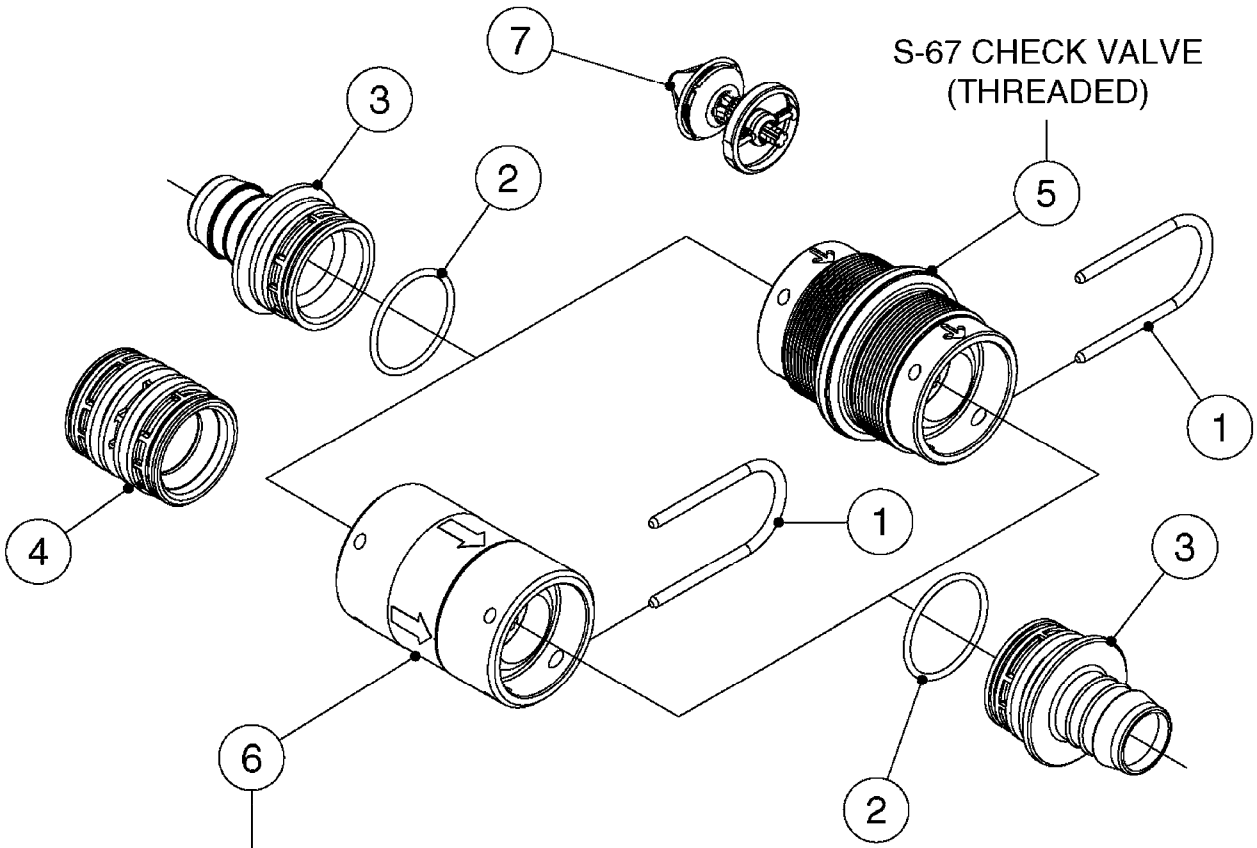


MANIFOLD - S93 VALVE (07)
B0550-HIN, 28:01:19

Page 1

Date 07.02.2020 8:02

Pos.	parts-n°	order qty	description
1	145997	1	FITT.DK S-93 FORK
2	242047	1	O-RING 89.5 X 3.0 VITON
3	242449	1	O'RING 13.3 x 2.4 VITON
4	242450	1	O-RING D84.5X3.0 VITON
5	242475	1	O'RING D56.52x5.33 SH70-VITON
6	322327	1	HOUSING, VALVE, S93, 220 PSI
7	322328	1	END CAP F. VALVE S-93
8	322354	1	THRUST PLATE F.3-WAY VALVES-93
9	334579	1	SPINDLE F.3 WAY VALVE S-93
10	334594	1	PLUG F. VALVE HANDLE BLACK
11	390543	1	SEAT F. BALL 3-WAY VALVE S-93
12	390544	1	BALL FOR S93 VALVE, 3 HOLES
12	391019	1	BALL F.2 WAY S93 SMART VALVE
13	440729	1	SCREW F. PLASTIC 4MM X40LG SS
14	741726	1	REPAIR KIT F.S93 VALVE VIT.'02
15	28168400	1	HAIRPIN Ø5 S67/S93
16	33514400	1	HANDLE FOR 2 ICONS 07
17	33514500	1	PLUG FOR HANDLE ,2 ICONS
18	72518800	1	QUICK FILL VALVE 2008 NAV
18	72518900	1	SUCTION VALVE 2008 NAV



S-67 CHECK VALVE
(NON-THREADED)

S-67 CHECK VALVE
(THREADED)

FOR FITTINGS AND
HOSES, SEE SECTION L

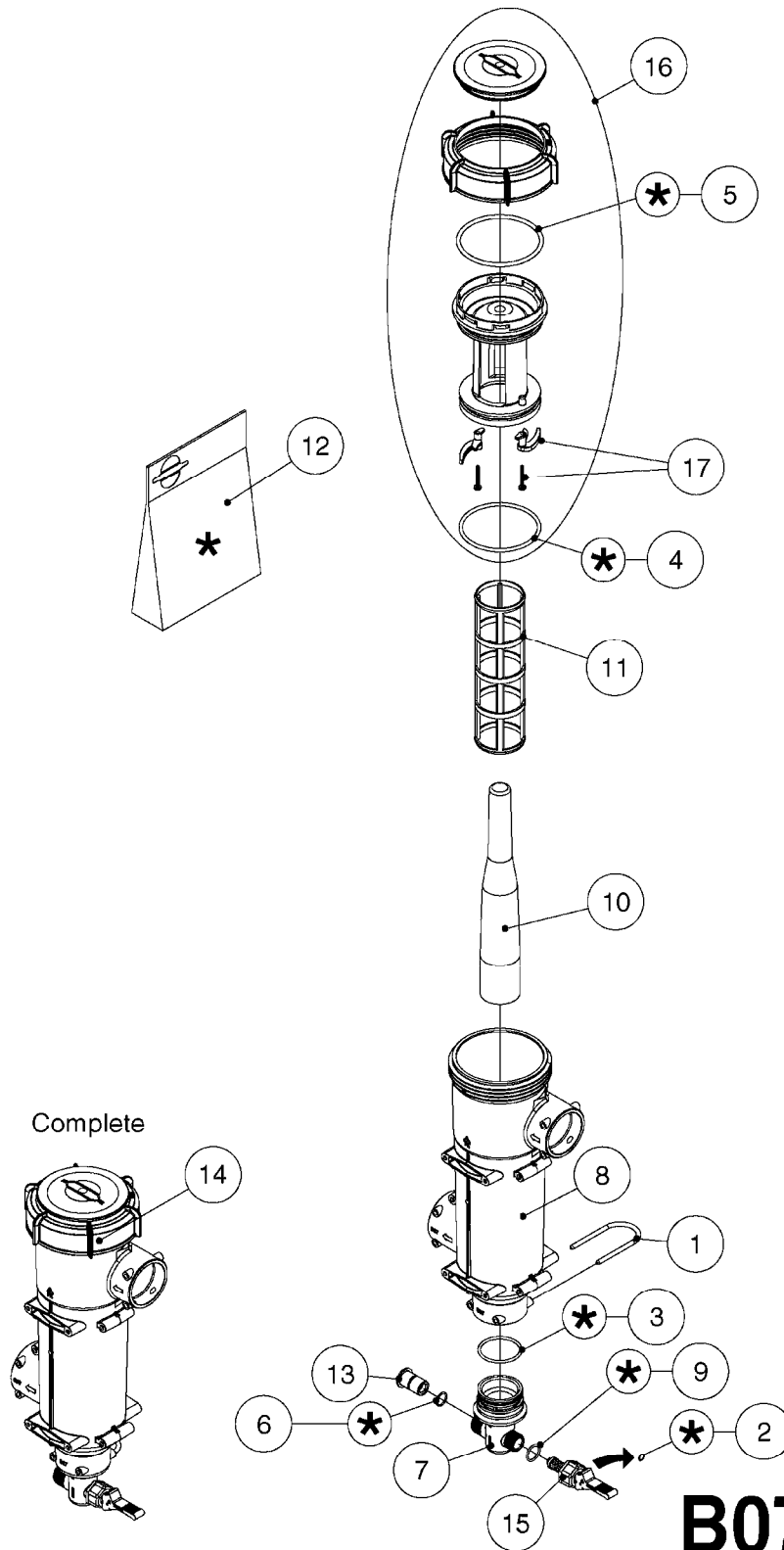
B0640



CHECK VALVES - S67 (2011)
B0640-HIN, 15:10:19

Page 1
Date 07.02.2020 8:02

Pos.	parts-n°	order qty	description
1	145996	1	FITT.DK S-67 FORK
2	242353	1	O-RING 3 X 44.2 VITON
3	334231	1	FITT.DK S-67 STR.1"
3	334232	1	FITT.DK S-67 STR.1-1/4"
4	72432400	1	FITT.DK S-67 CONNEC W.CHK SEAT
5	72819200	1	CHECK VALVE S67 2012 THREADED
6	72819300	1	CHECK VALVE S67 2012 NO THREAD
7	72878800	1	CHECK VALVE S67 SUBASSEMBLY 2013 INCLUDED WITH #5 & #6



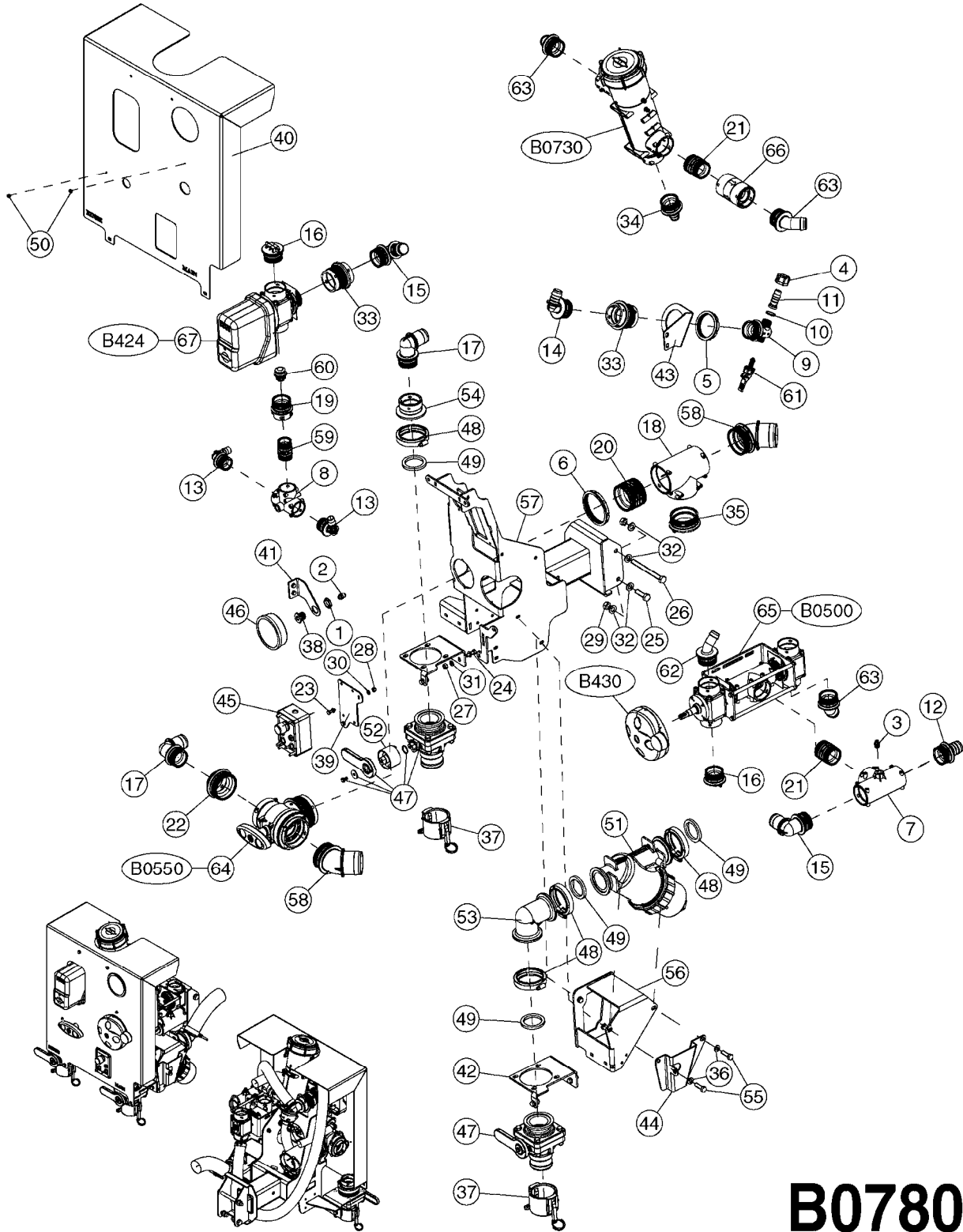
B0730



PRESSURE FILTER - CYCLONE
B0730-HIN, 01:01:16

Page 1
Date 07.02.2020 8:02

Pos.	parts-n°	order qty	description
1	145996	1	FITT.DK S-67 FORK
2	241323	1	O-RING D5.3X2.4 NITRIL
3	242353	1	O-RING 3 X 44.2 VITON
4	242565	1	O-RING Ø 85 X 4.0 SH70 VITON
5	242577	1	O-RING Ø 86 X 4.5 SH70 VITON
6	242594	1	O-RING D14 X 1.78 SCH.70-EPDM
7	322358	1	T-PIECE S67-1/2"-3/4"
8	322359	1	CYCLONE FILTER HOUSING
9	330315	1	O-RING D18.4/D13X.6
10	391093	1	CONE F. CYCLONE FILTER
11	61036000	1	FILTER ELEM.S93,100 MSH-YELLOW
11	615416	1	FILTER ELEM.S93,50 MESH-BLUE
11	72557200	1	FILTER ELEM.S93,80# CYCLONE
12	741827	1	SEAL KIT CYCLONE FILTER
13	39127500	1	VALVE SEAT D18/10 3/4"-1/2" 09
14	72281200	1	CYCLONE FILT.COMP. 80 MSH S67
14	72316500	1	CYCLONE FILT.COMP.50 MSH S67
14	72316600	1	CYCLONE FILT.COMP.100 MSH S67
15	72281300	1	VALVE BOOSTER/ON/OFF CYCLONE F
16	72352200	1	LID COMPLETE F. CYCLONE FILTER
17	74192900	1	FILTER LOCK PARTS - CYCLONE



B0780



Pos.	parts-n°	order qty	description
1	140766	1	NUT 1/2" BSP
2	231346	1	QUICK COUPLER 1/8"BSP X 4 MM
3	232230	1	QUICK COUPLER 1/4"BSP X 4 MM
4	320283	1	FITT.DK NUT 3/4"BSP
5	322108	1	FITT.DK S-67 BULKHEAD NUT
6	322109	1	FITT.DK S-93 BULKHEAD NUT
7	322224	1	FITT.DK S-67 TEE
8	322352	1	FITT.DK S-53 TEE
9	322358	1	T-PIECE S67-1/2"-3/4"
10	330595	1	O-RING D24.6/D20X2.1 -3/4"
11	330691	1	FITT.DK HB 3/4'F.3/4' NUT
12	334232	1	FITT.DK S-67 STR.1-1/4"
13	334241	1	FITT.DK S-53 ELB.3/4"
14	334243	1	FITT.DK S-67 ELB.1"
15	334244	1	FITT.DK S-67 ELB.1-1/4"
16	334250	1	FITT.DK S-67 PLUG
17	334445	1	FITT.DK S-67 ELB.1-1/2"
18	334545	1	FITT.DK S-93 TEE
19	334564	1	FITT.DK S-67 TO S-53 ADAPTER
20	334572	1	FITT.DK S-93 ADAPTOR MALE MALE
21	334573	1	FITT.DK S-67 CONNECTOR
22	334601	1	FITT.DK S-93 TO S67 ADAPTOR
23	410362	1	BOLT HEX 8.8 SS M6X20
24	421046	1	BOLT HEX M8X25/25 A2 SS DIN933
25	430721	1	BOLT HEX 8.8 DEL M12X40 FT
26	430932	1	BOLT HEX 8.8 DEL M12X130 FT
27	460143	1	SELF LOCK NUT M8 SST A2 DIN985
28	460261	1	NUT HEX M6X1.00 LOCK DIN985 A2 SS
29	460703	1	NUT HEX M12X1.75 LOCK DIN985A2 SS
30	471125	1	WASHER M6U 6.4X14X1.2,A2 SS
31	471126	1	WASHER, M8, Ø16/ 8.4X 1.6, SS
32	471127	1	WASHER, M12, Ø24/13X24X2.5 SS
33	726464	1	FITT.DK S-67 BULKHEAD W/GASKET
34	726560	1	FITT.DK S-67 STR.1" W.O'RING
35	726580	1	FITT. S93 PLUG W/O-RING
36	10009703	1	WASHER LOCK L/W Z 3/8"
37	10531003	1	CAP F.MALE QUICK COUPLER 2"
38	14055400	1	FITT.DK REDUC 1/2"x1/8"x1/4"BS
39	16172003	1	BRACKET, CONTROL BOX, PRESIDIO
40	16172103	1	MAIN FLUID SYSTEM, COVER, PRESIDIO
41	16174603	1	BRACKET, PRESSURE GAUGE, PRESIDIO
42	16176603	1	BALL VALVE BANJO 2" FLANGE, BRACKET, PR
43	16177003	1	BRACKET, CLEAN CYCL. FILTER HANDLE, PR
44	16182803	1	BRACKET, AIR GUN DUST CLEANING, PR
45	26031703	1	OUTSIDE CONTROL BOX ASSEMBLY, PR2700
46	28014403	1	GAUGE 4"BR REAR PSI200
47	28034403	1	BALL VALVE BANJO 2" FLANGE
48	28034503	1	CLAMP F. 2" STD BANJO FLANGE
49	28034603	1	GASKET F. 2" FP BANJO FLANGE
50	28087800	1	BUTTON, VALVE FUNCTION 4Ø
51	28091003	1	Y STRAINER, BANJO, 2" FLANGE,30 MESH
52	28091103	1	HANDLE RISER, BANJO, 2"x1-3/8" HANDLE OFFSET
53	28091203	1	COUPLING, BANJO, 2", FLANGE, 90
54	39002003	1	FITT S67/2" FP BANJO FLANGE
55	42000203	1	BOLT HEX 3/8-16X3/4 18-8 SS
56	61019803	1	BRACKET, Y STRAINER, BANJO, 2", FLANGE, PR
57	63041903	1	BRACKET, MAIN FLUID SYSTEM, PR
58	72072900	1	FITT. S93 2-1/2" 45° S W/O-RING
59	72114300	1	FITT. DK S-53 MALE MALE W.ORIN
60	72132600	1	CHECK VALVE SUBASSEMBLY S53
61	72281300	1	VALVE BOOSTER/ON/OFF CYCLONE F

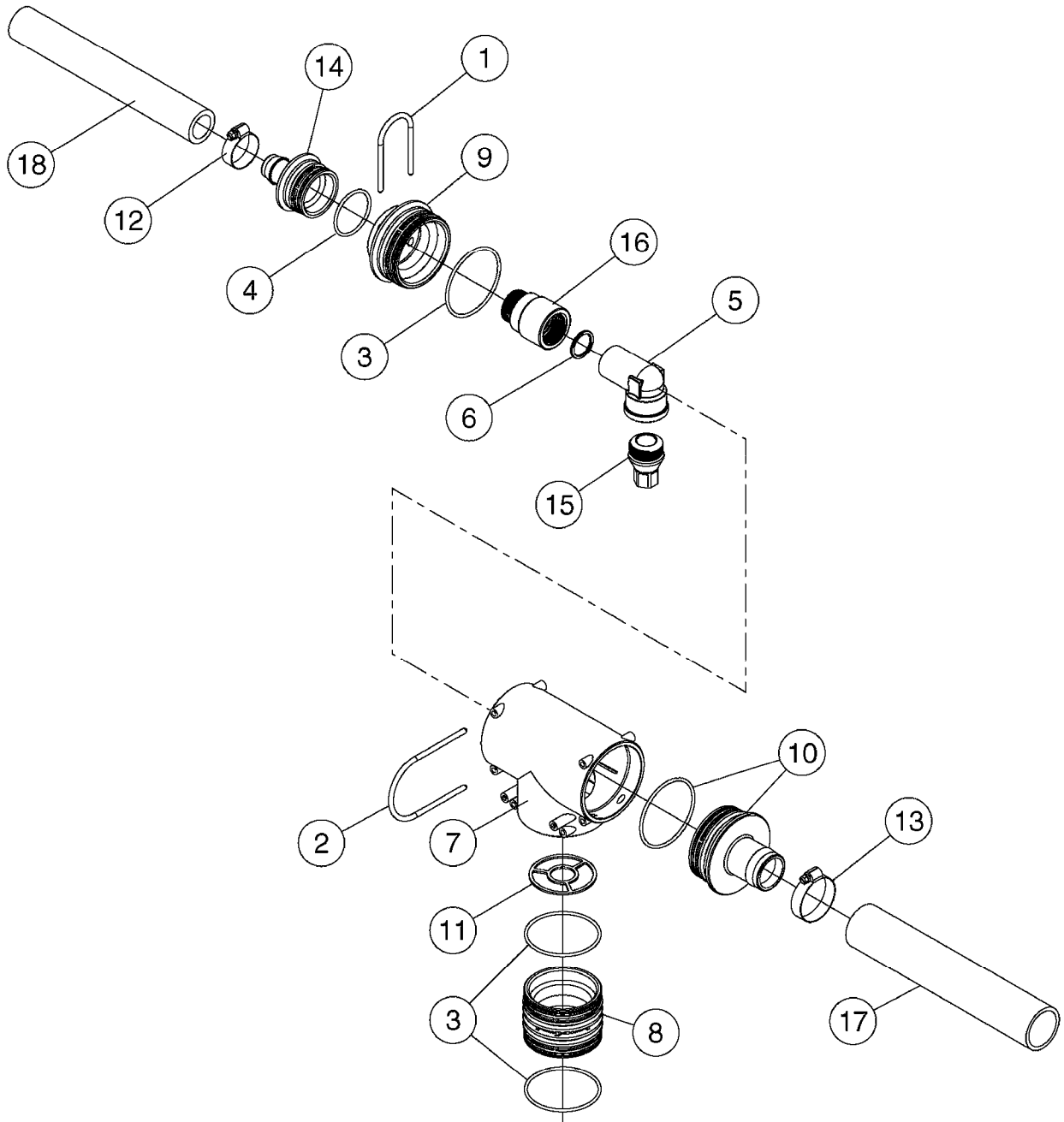


MAIN FLUID - PRESIDIO
B0780-HIN, 03:08:16

Page 2

Date 07.02.2020 8:02

Pos.	parts-n°	order qty	description
62	72433000	1	FITT.S67 1" 45° W/O-RING
63	72433100	1	FITT.DK S-67 45° 1-1/4"W/ORING
64	72518900	1	SUCTION VALVE 2008 NAV
65	72538100	1	SMART VALVE S67 2009 GNAV
66	72819300	1	CHECK VALVE S67 2012 NO THREAD
67	72867700	1	S67 EL. AGITATION VALVE HALL SENSOR "11" HE



B0790

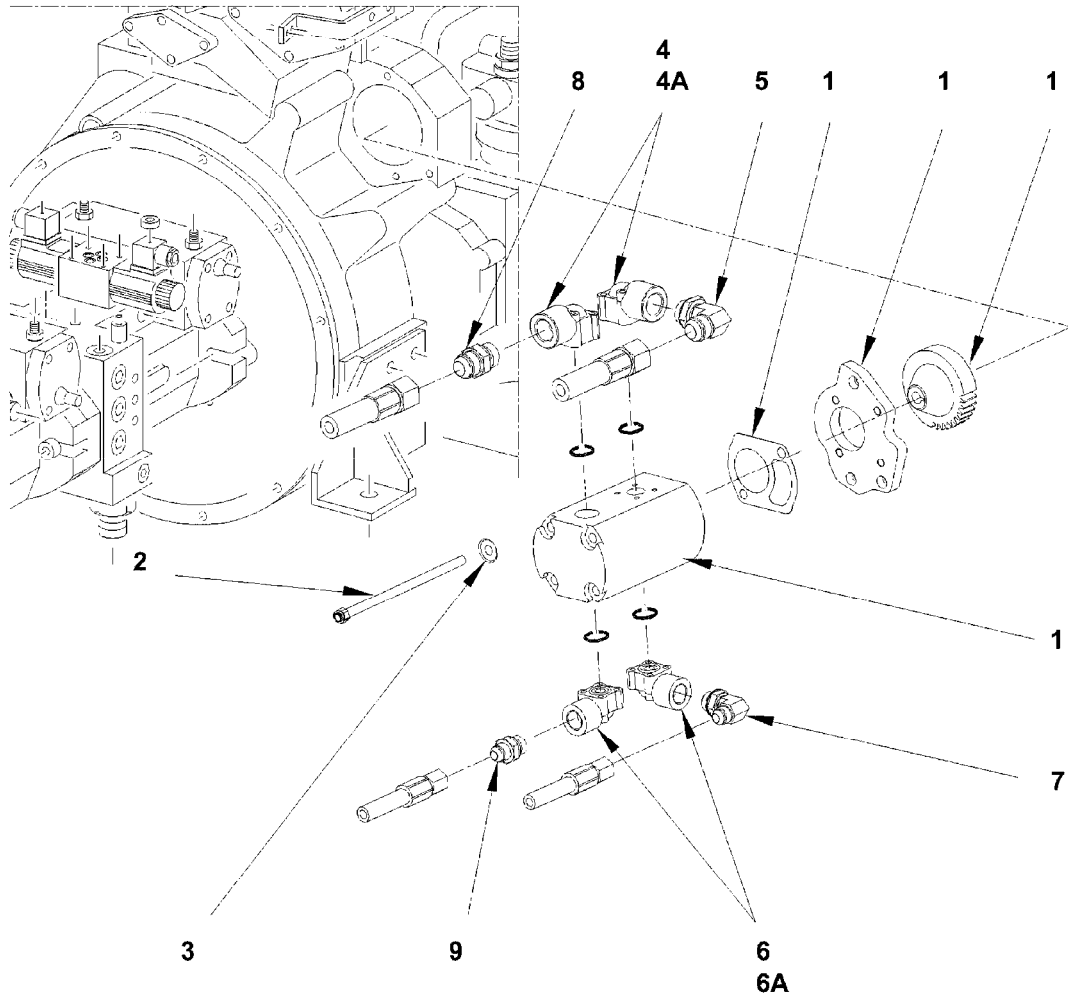


S93 EJECTOR F.TURBOFILLER
B0790-HIN, 30:08:16

Page 1

Date 07.02.2020 8:02

Pos.	parts-n°	order qty	description
1	145996	1	FITT.DK S-67 FORK
2	145997	1	FITT.DK S-93 FORK
3	242351	1	O-RING D69.5X3.0 VITON F.S-93
4	242353	1	O-RING 3 X 44.2 VITON
5	322138	1	FITT.DK ELB 1"M X 1"F BSP
6	330326	1	O-RING D30/D24X2 F.1"NUT
7	334545	1	FITT.DK S-93 TEE
8	334572	1	FITT.DK S-93 ADAPTOR MALE MALE
9	334601	1	FITT.DK S-93 TO S67 ADAPTOR
10	728523	1	FITT.DK S-93 STR.1-1/2" W.O-RING
11	16376600	1	CENTERING RING F. EJECTOR NOZZLE
12	28030003	1	CLAMP HOSE GEAR P1" 6716
13	28030103	1	CLAMP HOSE GEAR P5/4-S1.5"6724
14	39120900	1	FITT.DK S67 STR.1" 1RG INSIDE
15	39143800	1	NOZZLE T.F. EJECTOR
16	39143900	1	1" NPT EXT/INT EXTENSION
17	92702603	1	HOSE PVC SUCT GRAY 1-1/2"
18	92712403	1	HOSE R X1" X300PSI WP X0012"



C700-HAU

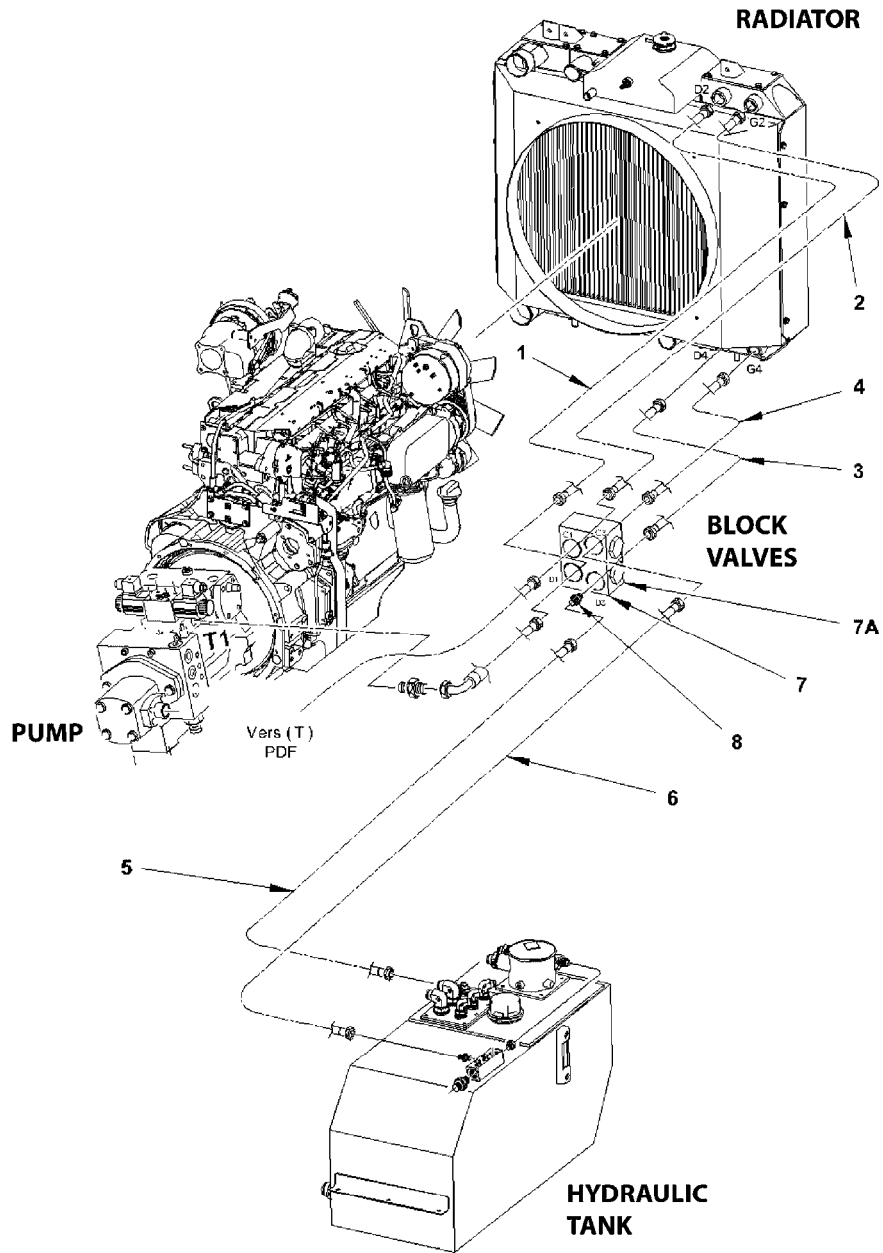


PRESIDIO DOUBLE PUMP ON ENGINE
C700-HAU, 11:01:16

Page 1

Date 07.02.2020 8:02

Pos.	parts-n°	order qty	description
1	PR-HP0014	1	GEAR PUMP, 12CC+8CC, PRESIDIO
2	PR-DB2142010165	1	part available on request
3	PR-DS1502010	1	WASHER DECOL. M10x22x2-Zn
4	PR-HT0074	1	ASPI CLAMP 3/4 "
4A	PR-HJ0084	1	JOINT FLANGE HT0074 SAUER 14
5	PR-HR0058	1	HYDRAULIC CONNECTION ELBOW MJ11/16-MG3
6	PR-HT0075	1	DISCHARGE FLANGE 1/2 "
6A	PR-HJ0085	1	FLANGE JOINT HT0075 SAUER 14
7	PR-HR0047	1	HYDRAULIC CONNECTION ELBOW MJ3 / 4-MG1
8	PR-HR0087	1	HEX FITTING #12 JIC M X G3/4"M STR
9	PR-HR0013	1	HYDRAULIC CONNECTION RIGHT MJ3 / 4-MG1



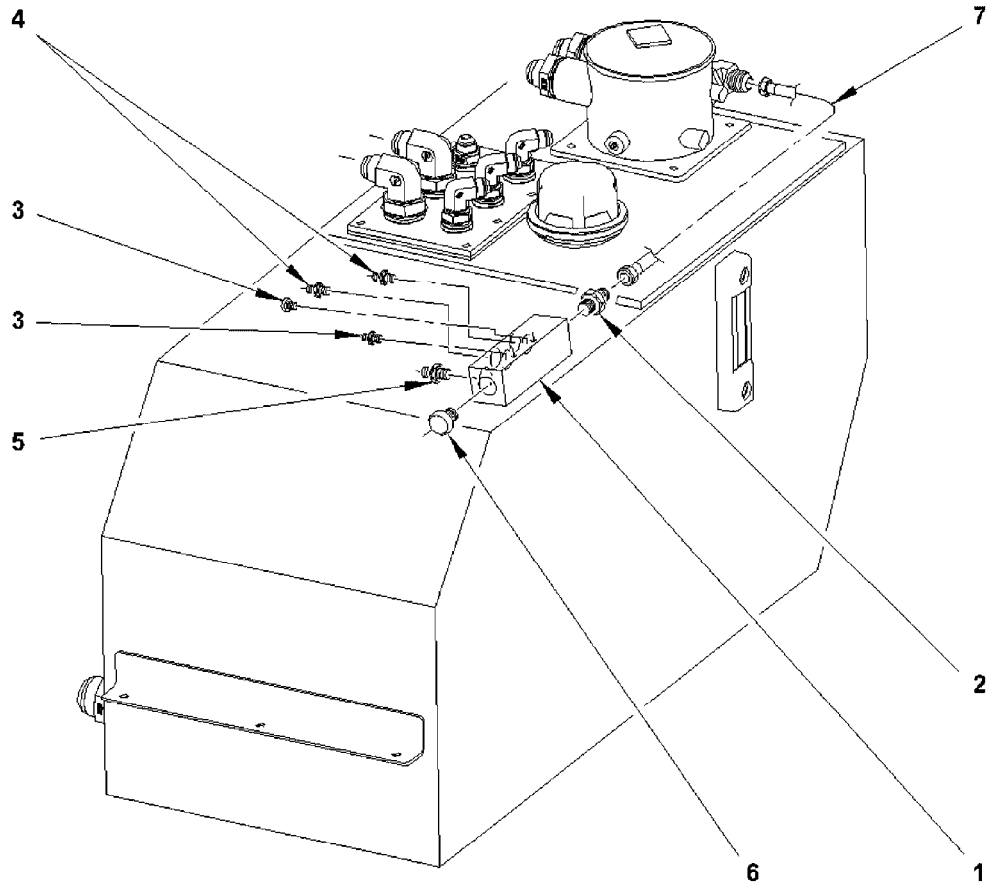
C701-HAU



PRESIDIO HYDRAULIC RETURN CIRC
C701-HAU, 11:01:16

Page 1
Date 07.02.2020 8:02

Pos.	parts-n°	order qty	description
1	PR-HF1001AT0110	1	HOSE FL 1" 1AT 550 772 772
2	PR-HF1001AT0110	1	HOSE FL 1" 1AT 550 772 772
3	PR-HF1001AT0109	1	HOSE FL 1" 1AT 870 772 772
4	PR-HF1001AT0108	1	HOSE FL 1" 1AT 950 772 772
5	PR-HF1001AT0125	1	HOSE FL 1" 1AT 3070 772 772
6	PR-HF3402AT0188	1	HOSE FL 3/4 2AT 2500 770 771
7	PR-HD0337	1	VALVE BLOCK HEATER PR32/4240
7A	PR-HD0337-01	1	CHECK VALVE 100L/MIN-1.5
8	PR-HR0093	1	HEX NIPPLE #16JICM-#16BSPPM



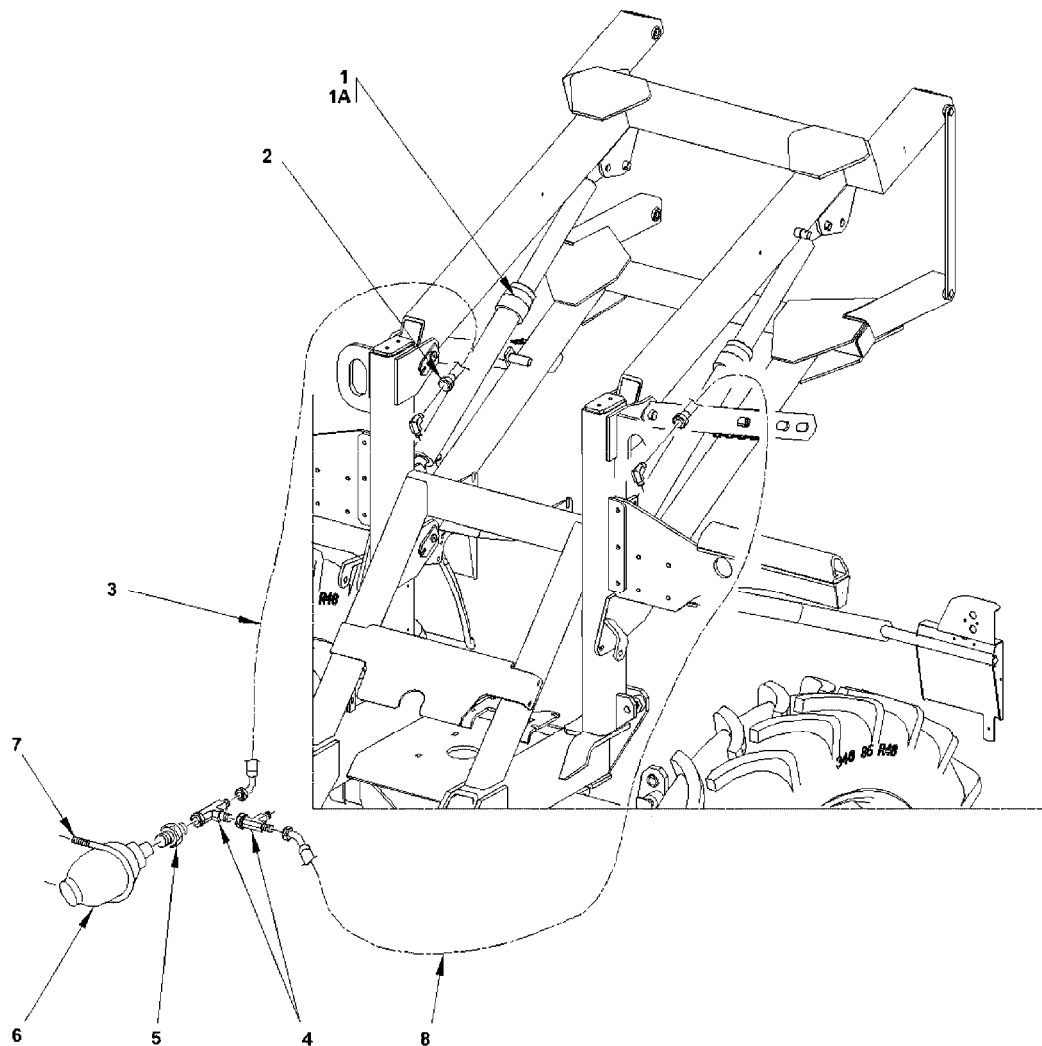
C702-HAU



PRESIDIO MANIFOLD FILT. RE. L.
C702-HAU, 11:01:16

Page 1
Date 07.02.2020 8:02

Pos.	parts-n°	order qty	description
1	PR-HA0400	1	HYD.MANIFOLD ALU 2017 100 p
2	PR-HR1015	1	HYDRAULIC CONNECTION RIGHT MJ15 / 8-MG
3	PR-HR9992	1	BM CYL CAP 1/2 "
4	PR-HR0013	1	HYDRAULIC CONNECTION RIGHT MJ3 / 4-MG1
5	PR-HR0087	1	HEX FITTING #12 JIC M X G3/4"M STR
6	PR-HR9988	1	BM CYL CAP 1 1/4 "
7	PR-HF1141AT0071	1	HOSE FL 1"1/4 1AT 450 608 684



C703-HAU

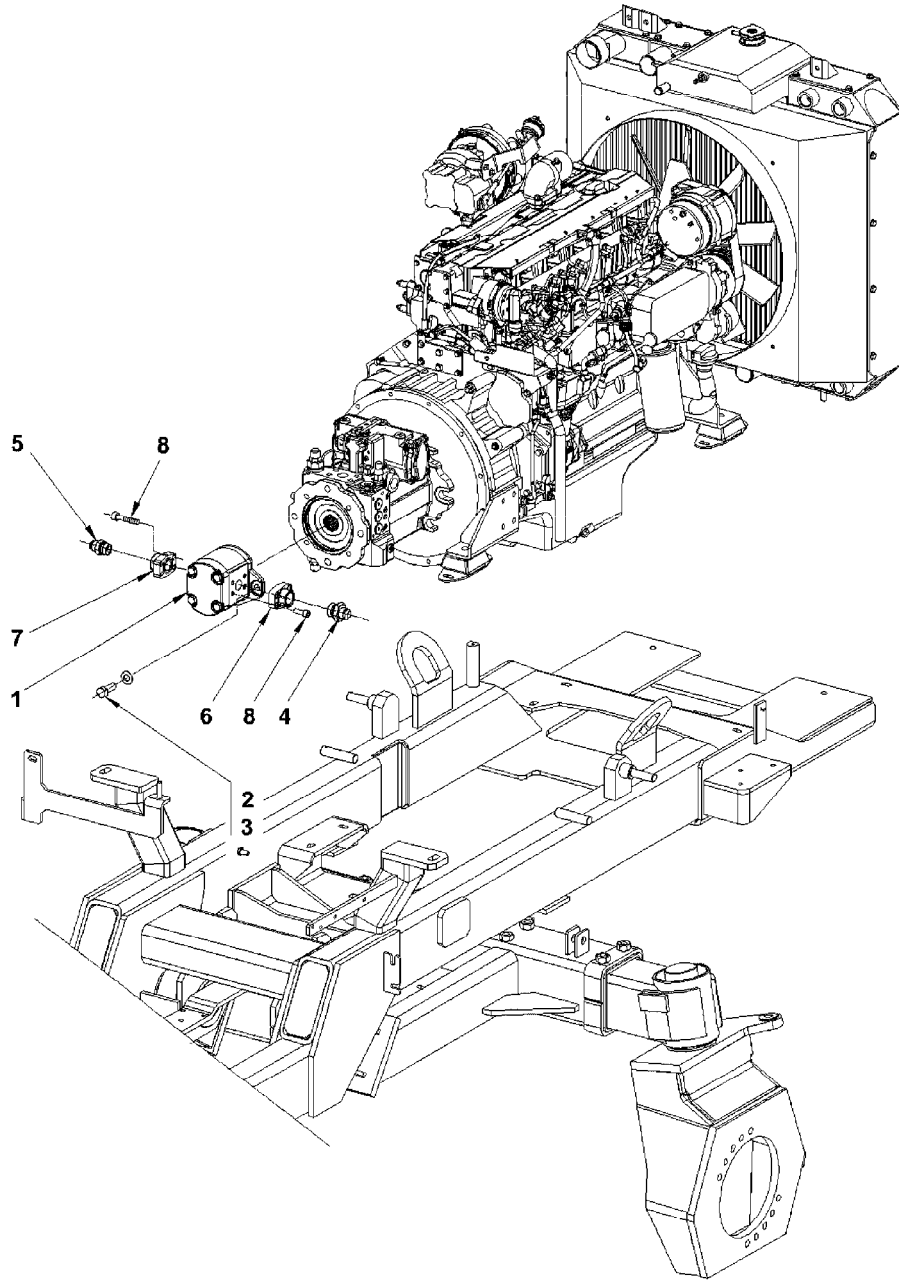


PRESIDIO HYDR. CIRC. FOR BOOMS
C703-HAU, 11:01:16

Page 1

Date 07.02.2020 8:02

Pos.	parts-n°	order qty	description
1	PR-HV0112	1	CYLINDER SE60X65/C545 REL / / AM2008
1A	PR-HV0112-01	1	COVER SEAL CYLINDER HV0112
2	PR-HR0135	1	HYD. FIT. 90 M-M 3/4"JICx3/8"BSPP
3	PR-HF1204SH0217	1	HOSE FL 1/2 4SH 1500 703 753
4	PR-HR0008	1	HYDRAULIC CONNECTION TMRJ3 / 4-FJ3 / 4
5	PR-HR0013	1	HYDRAULIC CONNECTION RIGHT MJ3 / 4-MG1
6	PR-HA0090	1	ACCUMULATOR 0.7L/60 BAR
7	PR-HA0093	1	CLAMP F.ACCUMULATOR 0.7L
8	PR-HF1204SH0068	1	HOSE FL 1/2 4SH 2200 651 753



C704-HAU

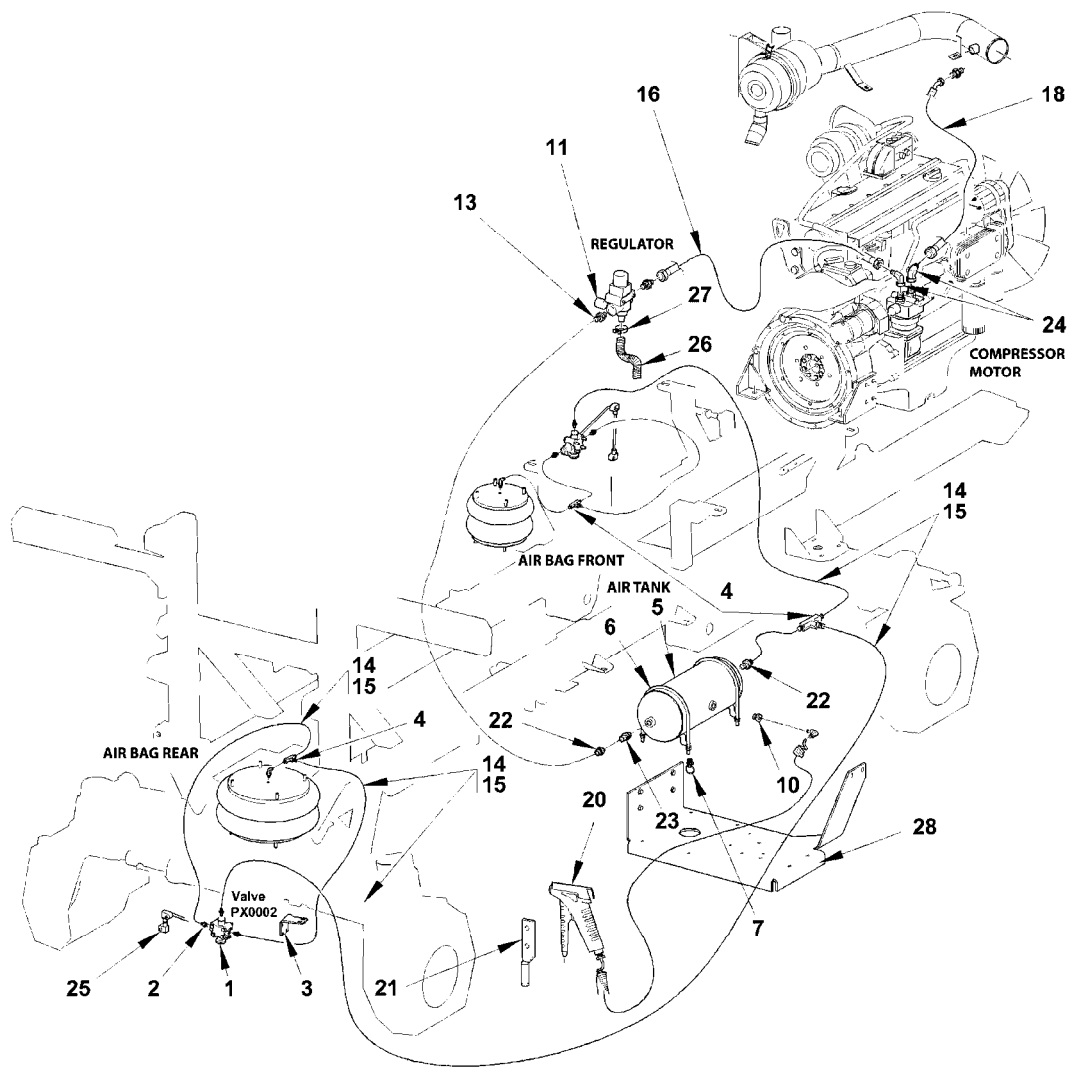


PRESIDIO POWER TAKE-OFF PUMP
C704-HAU, 11:01:16

Page 1

Date 07.02.2020 8:02

Pos.	parts-n°	order qty	description
1	PR-HP0192	1	PUMP
2	PR-DB1022012030	1	HM Class 8.8 M 12X 30 SCREW
3	PR-DS1502012	1	WASHER DECOL. M12x27x2 ,5-Zn
4	PR-HR0078	1	HYDRAULIC CONNECTION RIGHT MJ11/16-MG1
5	PR-HR0087	1	HEX FITTING #12 JIC M X G3/4"M STR
6	PR-HT0040	1	THREADED FLANGE SAE 3000 PSI 1 "
7	PR-HT0043	1	THREADED FLANGE SAE 3000 PSI 3/4
8	PR-DB2222380114	1	SCREW CHC cl. 12.9 3/8X1 "1/4"



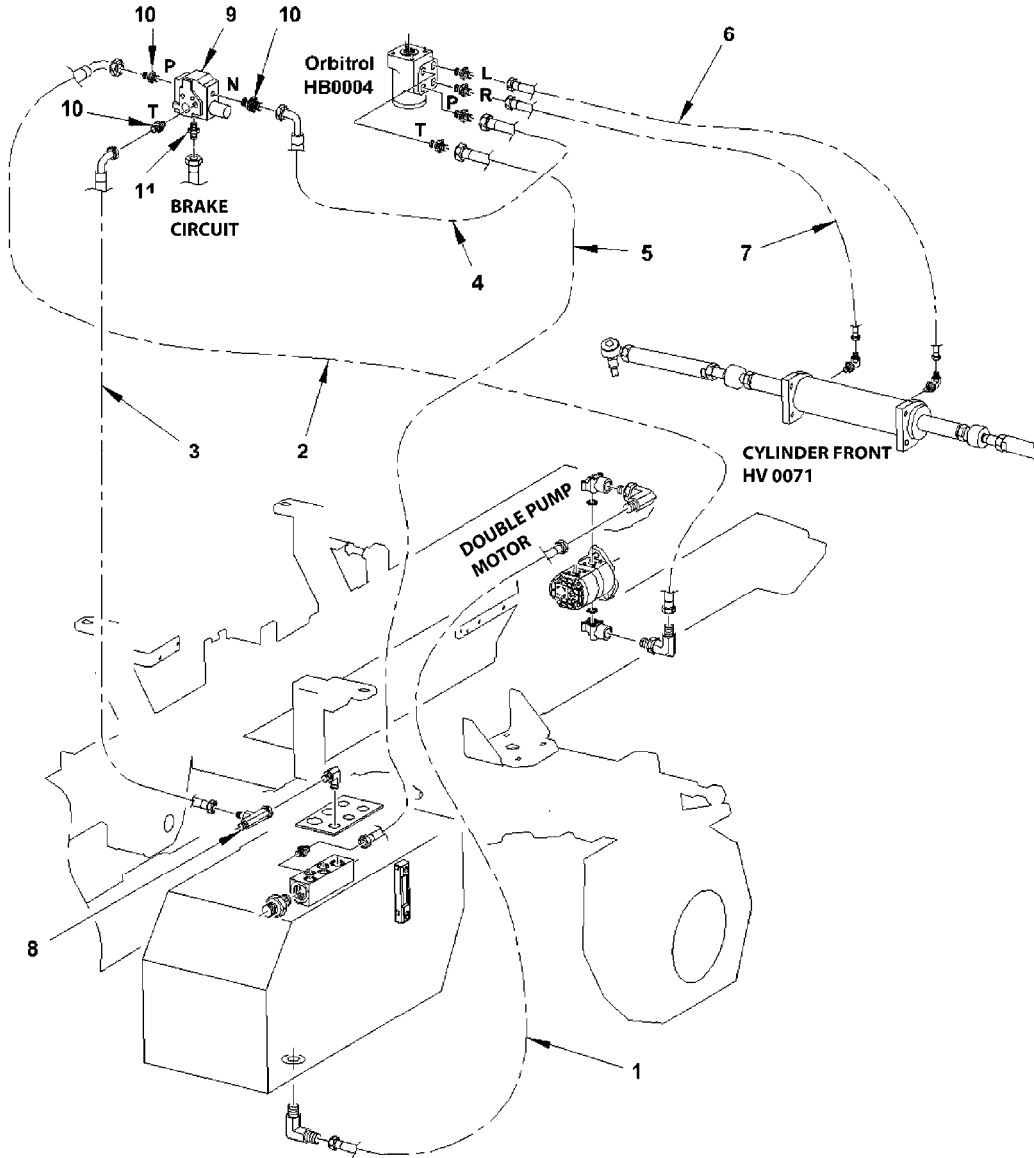
C709-HAU



PRESIDIO PNEUMATIC CIRCUIT
C709-HAU, 11:01:16

Page 1
Date 07.02.2020 8:02

Pos.	parts-n°	order qty	description
1	PR-PX0002	1	VALVE LEVELING SV 1460
2	PR-PX0010	1	CONNECTOR F.SUSPENSION VALVE
3	PR-FEPR32093	1	REAR AIR VALVE PR3240
4	PR-PR0021	1	FITTING AIR TE DIAM 6
5	PR-PC0102	1	BOTTLE AIR UTL4000 UT 90
6	PR-PC0103	1	BRIDE AND NECKLACE UTL4000
7	PR-PC0104	1	PURGE, FITT., AIR TANK, PRESIDIO
8	PR-HR0047	1	HYDRAULIC CONNECTION ELBOW MJ3 / 4-MG1
9	PR-PR0056	1	TIRE ELBOW FITTING
10	PR-PR0058	1	ADAPTER 1/2 - 1/4 GEF
11	PR-PC0110	1	PRESSURE REGULATOR DR3500
13	PR-HR0108	1	HYDRAULIC CONNECTION RIGHT MJ3 / 4-MI2
14	PR-PR0091	1	AIR HOSE BLACK D 4X6
15	PR-EC0047	1	SPLIT SHAFT ADAPTOR DIAMETER 6
16	PR-HF1202AT0556	1	HOSE FL 1/2 2AT 2000 685 753
17	PR-HF1202AT0555	1	HOSE FL 1/2 2AT 960 753 753
18	PR-HF3402AT0191	1	HOSE FL 3/4 2AT 1100 770 776
20	PR-PT0061	1	KIT BLOW
22	PR-PR0056	1	TIRE ELBOW FITTING
23	PR-PR0058	1	ADAPTER 1/2 - 1/4 GEF
24	PR-HR0167	1	HYDRAULIC CONNECTION ELBOW MJ11/16-FJ1
25	PR-PX0014	1	LINK RUBBER VALVE
26	PR-EC0050	1	SIB PVC DUCT DIAMETER 20
27	PR-DC0041	1	CLAMP SER BC DIAM 13 16_25
28	PR-FEPR25097	1	AIR TANK SUPPORT PR2540



C710-HAU



PRESIDIO HYD. STEERING CIRCUIT
C710-HAU, 11:01:16

Page 1

Date 07.02.2020 8:02

Pos.	parts-n°	order qty	description
1	PR-HF3402AT0190	1	HOSE FL 3/4 2AT 2350 770 771
2	PR-HF1202AT0425	1	HOSE FL 1/2 2AT 670 703 753
3	PR-HF5161AT0377	1	HOSE FL 5/16 1AT 2700 681 687
4	PR-HF1202AT0219	1	HOSE FL 1/2 2AT 2250 703 753
5	PR-HF5162AT0245	1	part available on request
6	PR-HF5161AT0575	1	HOSE FL 5/16 2AT 2700 681 681
7	PR-HF5161AT0575	1	HOSE FL 5/16 2AT 2700 681 681
8	PR-HR0008	1	HYDRAULIC CONNECTION TMRJ3 / 4-FJ3 / 4
9	PR-HA0020	1	BRAKE SELECTOR LT06
10	PR-HR0110	1	HYDRAULIC CONNECTION RIGHT MJ3 / 4-MI1
11	PR-HR0124	1	HYDRAULIC CONNECTION RIGHT MJ1 / 2-MI1

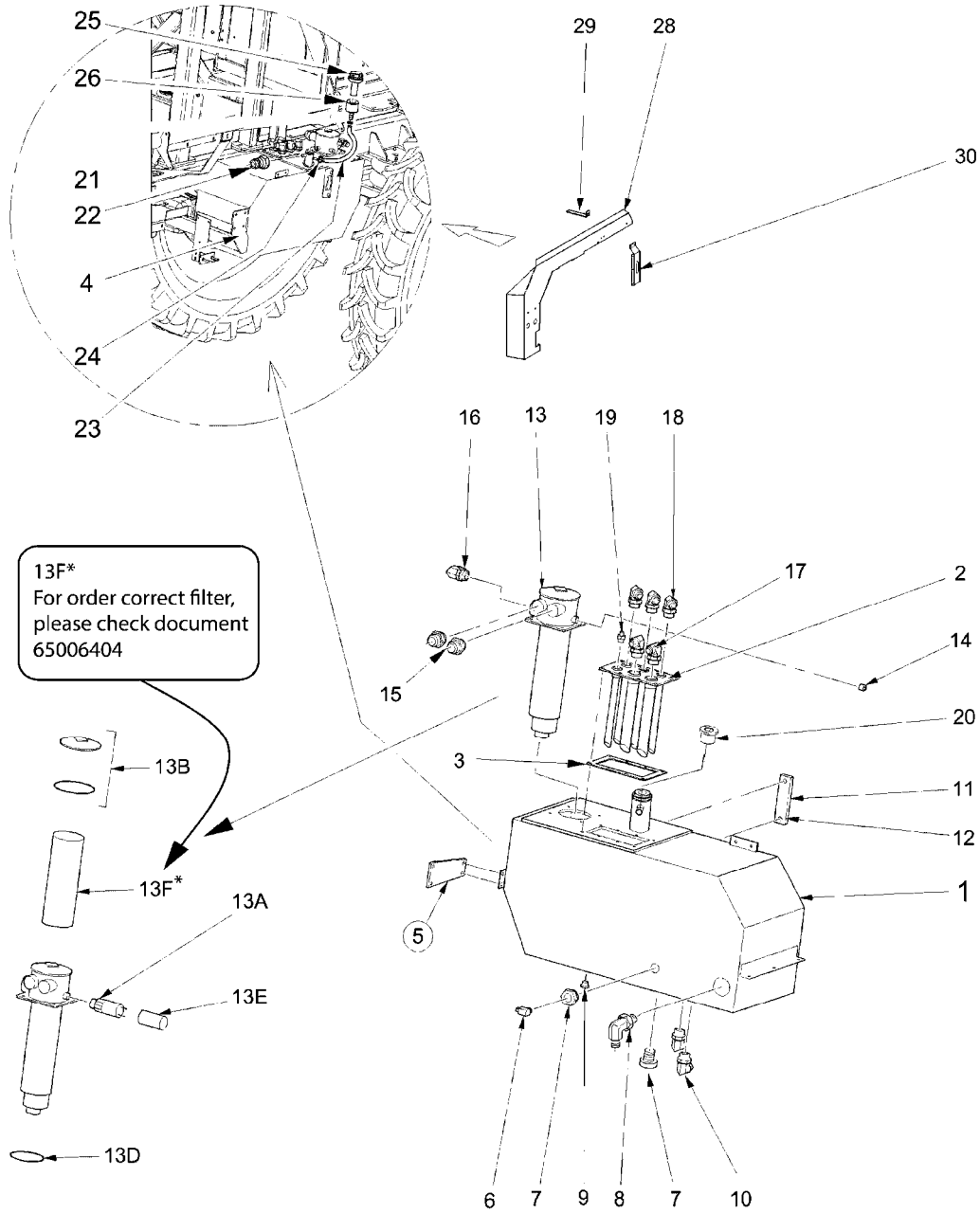


HYD. STEERING CIRC. FRONT AXLE
C711-HAU, 11:01:16

Page 1

Date 07.02.2020 8:02

Pos.	parts-n°	order qty	description
1	PR-HF3402AT0188	1	HOSE FL 3/4 2AT 2500 770 771
2	PR-HF1202AT0049	1	HOSE FL 1/2 2AT 1650 703 753
3	PR-HF5162AT0586	1	part available on request
4	PR-HF1202AT0109	1	HOSE FL 1/2 2AT 830 703 753
5	PR-HF1202AT0442	1	HOSE FL 1/2 2AT 2300 753 753
6	PR-HF5162AT0264	1	part available on request
7	PR-HF5162AT0264	1	part available on request
8	PR-HR0008	1	HYDRAULIC CONNECTION TMRJ3 / 4-FJ3 / 4
9	PR-HA0020	1	BRAKE SELECTOR LT06
10	PR-HR0110	1	HYDRAULIC CONNECTION RIGHT MJ3 / 4-MI1
11	PR-HR0124	1	HYDRAULIC CONNECTION RIGHT MJ1 / 2-MI1



13F*
For order correct filter,
please check document
65006404

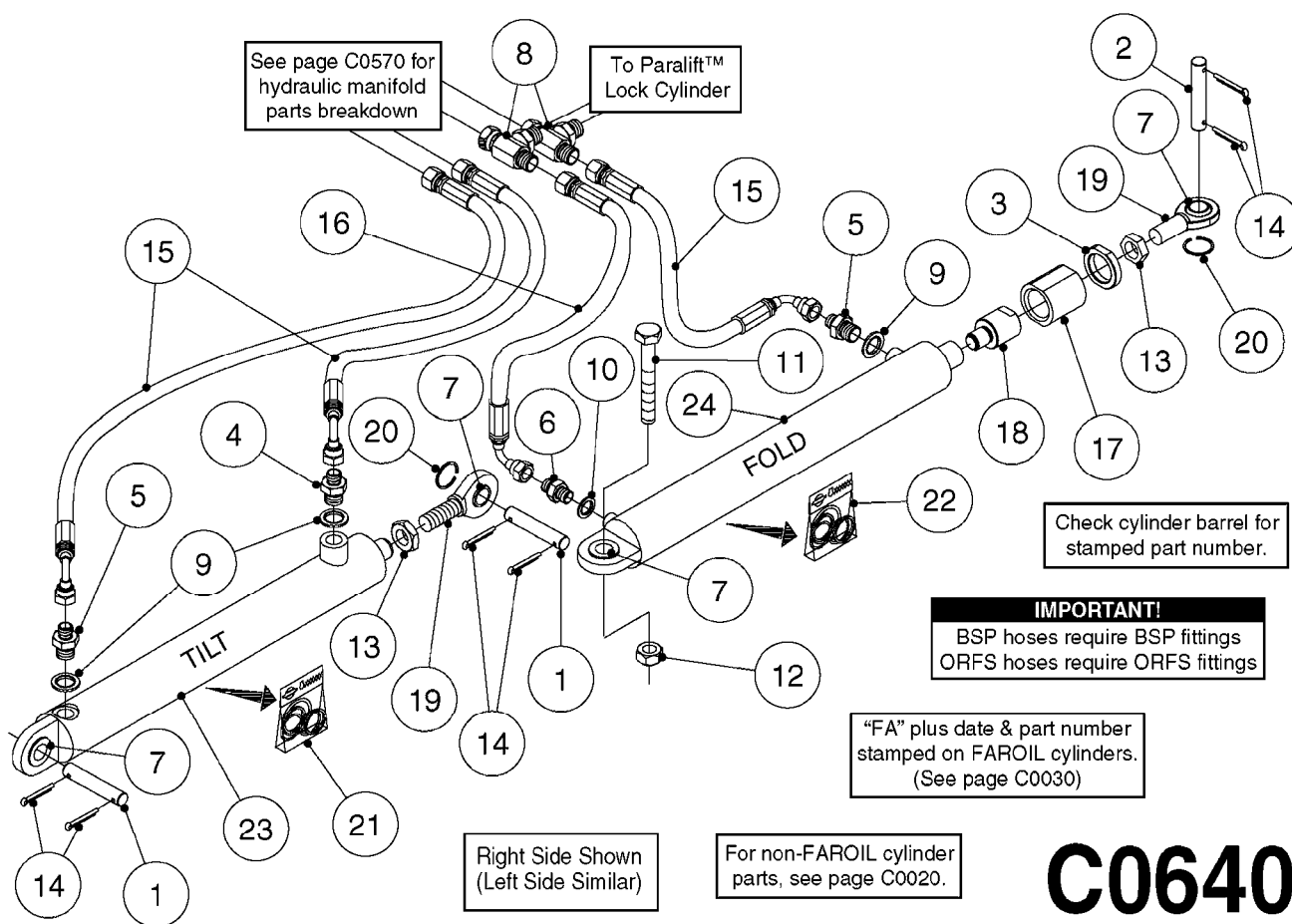
C712-HAU



PRESIDIO HYDRAULIC TANK
C712-HAU, 11:01:16

Page 1
Date 07.02.2020 8:02

Pos.	parts-n°	order qty	description
13A	PR-HE0004-01	1	INDICATOR PATCH PR-HE0004
13B	PR-HE0004-02	1	COVER GASKET + FILTER RE-HE0004
13D	PR-HE0004-04	1	SEAL BETWEEN FILTER AND TANK
13E	PR-HE0004-05	1	SENSOR PROTECTION SEAL
13F	PR-HE0005	1	CARTRIDGE FOR 15 PR-HE0004
13F	PR-HE0025	1	FILTER, HYD OIL, RETURN, PR
1	PR-DB8444012	1	RING NYLON NUT M12 INOX
2	PR-FEPR32041	1	HYDRAULIC TANK PLATE PR3240 PR4240
3	PR-BH0005	1	SEAL HYD TANK. 10HB 34x4
4	PR-FEPR25042	1	REAR SUPPORT. RESERVOIR HYD.
5	PR-FEPR25039	1	MOUNTING PLATE
6	PR-EA0885	1	THERMOSTAT 90 ° C / NO M 22X 150
7	PR-HR9986	1	BM CYL CAP 1 "
8	PR-HR1016	1	HYDRAULIC CONNECTION ELBOW MJ15/8-MG1
9	PR-HR9992	1	BM CYL CAP 1/2 "
10	PR-HR0136	1	HYDRAULIC CONNECTION ELBOW MJ15/16-MG1
11	PR-HA0068	1	POWER GAUGE 127MM M12
12	PR-FTVI0007	1	OIL LEVEL GAUGE
13	PR-HE0004	1	RETURN FILTER COMP ASPI. PAR 20
14	PR-HR9993	1	CAP BM CO1 / 8 HEADLESS "
15	PR-HR0093	1	HEX NIPPLE #16JICM-#16BSPPM
16	PR-HR1016	1	HYDRAULIC CONNECTION ELBOW MJ15/8-MG1
17	PR-HR0136	1	HYDRAULIC CONNECTION ELBOW MJ15/16-MG1
18	PR-HR0047	1	HYDRAULIC CONNECTION ELBOW MJ3 / 4-MG1
19	PR-HR0013	1	HYDRAULIC CONNECTION RIGHT MJ3 / 4-MG1
20	PR-HR9988	1	BM CYL CAP 1 1/4 "
21	PR-HR2016	1	COUPLER CCM1 / 2 "
22	PR-HR2018	1	BPCM PLUG 1/2 ""
23	PR-HT0022	1	HOSE 1/2 DIAM 12.7/20 for GO "
24	PR-DC0039	1	CLAMP BC 9 DIAM 12-20 SS
25	PR-HA0033	1	BREATHER PLUG PR3240 PR4240
26	PR-HR0208	1	HYDRAULIC CONNECTION RIGHT MJ3 / 4-FG1
27	PR-HR0753	1	RIGHT END CS FJ3 1 3/4 "
28	PR-FEPR25055	1	PLATE ON HYDRAULIC TANK
29	PR-FEPR25056	1	SUPPORT BRACKET PLATE HYD.
30	PR-FEPR25054	1	COVER GAUGE HYDRAULIC TANK





HYD EAGLE HZ SPC 80'-100'
C0640-HIN, 22:08:17

Page 1

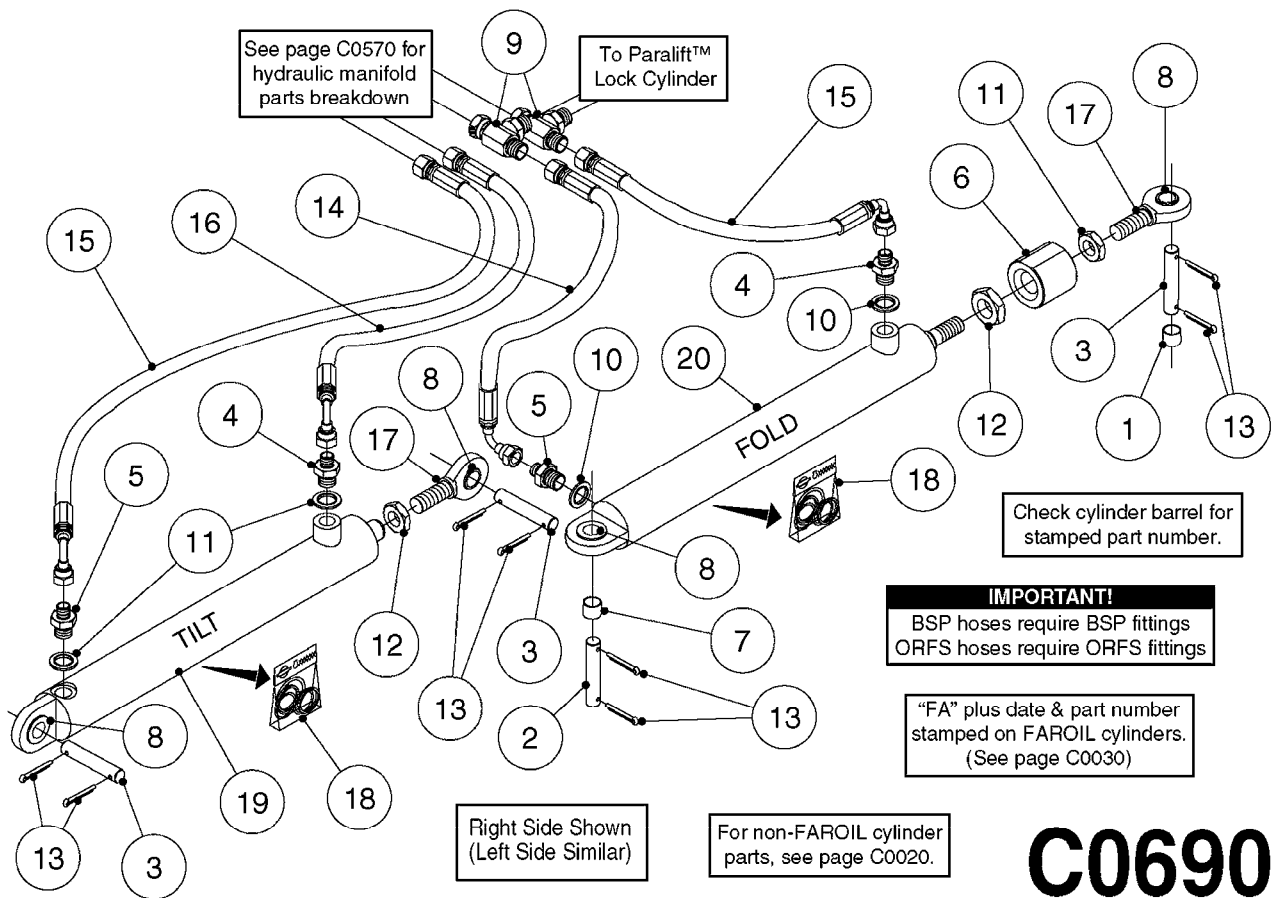
Date 07.02.2020 8:02

Pos.	parts-n°	order qty	description
1	146450	1	PIN D19.8 X 75 WITH 2 X D5
2	146589	1	PIN D19.8 X 65
3	146672	1	NUT HEX LOCK F.ADJUSTER
4	146835	1	HEX NIPPLE 1/4" - 3/8" BSP
4	23235700	1	HEX NIPPLE 3/8"-9/16" ORFS
5	146839	1	HEX NIPPLE 1/4"X3/8" BSP 0.7MM BSP
5	23235800	1	HEX NIPPLE 3/8"-9/16" - 0.7mm ORFS
6	146845	1	HEX NIPPLE 1/4"X1/4" BSP
6	23234500	1	HEX NIPPLE 1/4" - 9/16" ORFS
7	210730	1	BEARING F.LINK HEAD M20
8	232109	1	FITT.HY TEE 1/4"BSP UNION BSP
8	23241000	1	TEE 9/16"M-9/16"M-9/16"F ORFS ORFS
9	240866	1	DOWTYSEAL 3/8"
10	241404	1	DOWTY SEAL 1/4"
11	430910	1	BOLT HEX 8.8 DEL M20X110
12	460806	1	NUT HEX M20X2.50 LOCK DIN985A2 SS
13	461200	1	NUT HEX M20X1.5 JAMB.
14	480384	1	PIN COTTER 3/16 x 1-1/2"
15	784008	1	HOSE HY X 1/4" X 98.4"STR+ELB BSP
15	78500800	1	HY.HO.1/4"L= 2500 STR-90° ORFS
16	784025	1	HOSE HY X 1/4" x 86.6"STR+ELB BSP
16	78502100	1	HY.HO.1/4"L= 2200 STR-90° ORFS
17	14023000	1	BUSHING Ø50.0/36.0 L=52 DEL
18	14031800	1	ADAPTOR F.HY CYLINDER L=40
19	21092000	1	LINK HEAD M20 x D20 L=78 DELTA
20	48000603	1	SNAP RING, Ø36X1.5 F.210730
21	75074400	1	SEAL KIT 78121800/21/44
22	75074600	1	SEAL KIT 78120500/49
23	78122100	1	CYLINDER DOUBLE D50/25-298
24	78128000	1	CYLINDER DOUB. D60/30 L=300 09



HYD EAGLE HZ SPB 45'-66'
C0690-HIN, 09:01:18

Page 0
Date 07.02.2020 8:02



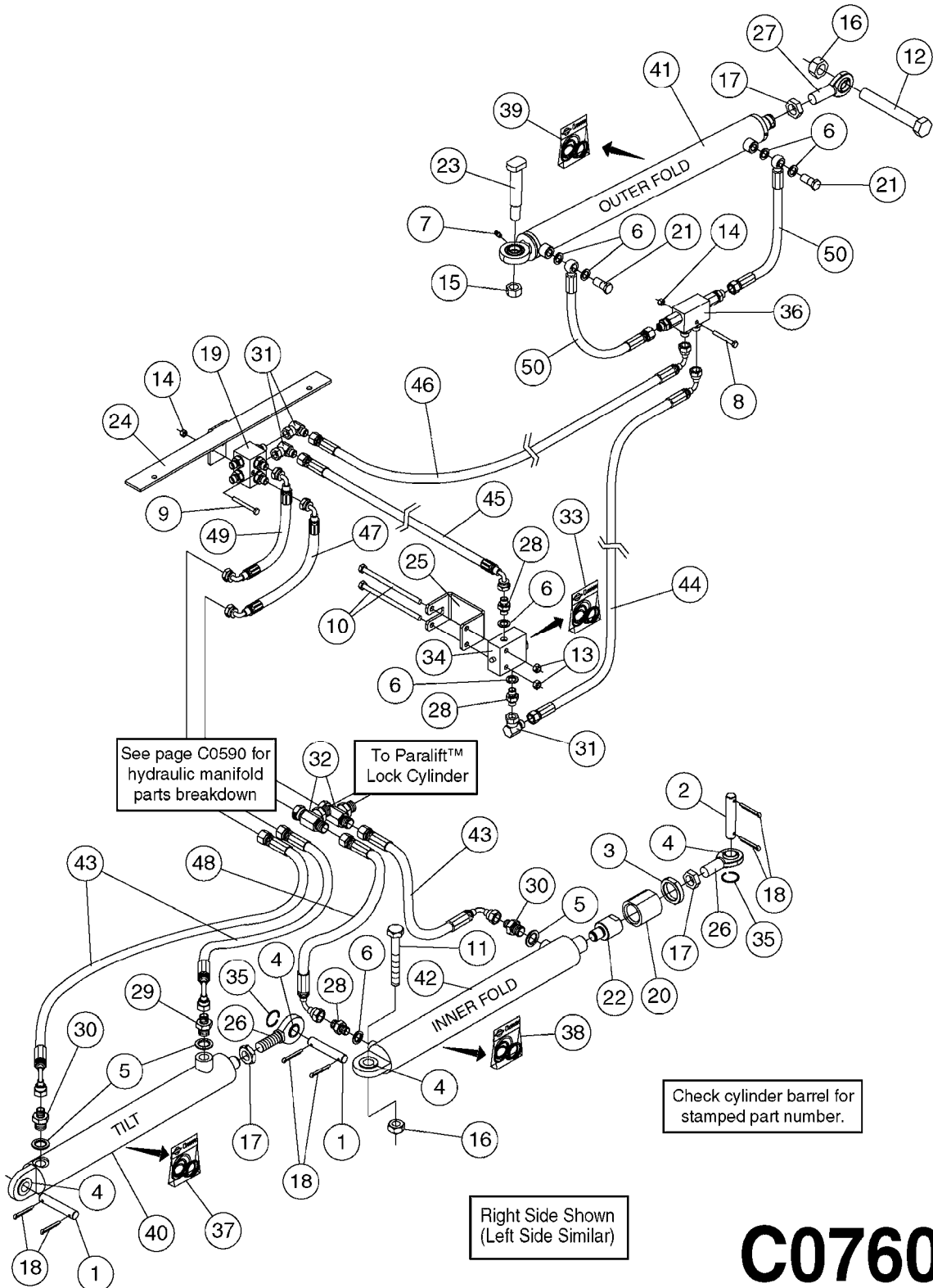


HYD EAGLE HZ SPB 45'-66'
C0690-HIN, 09:01:18

Page 1

Date 07.02.2020 8:02

Pos.	parts-n°	order qty	description
1	145912	1	BUSHING D19.8/D17.0X7MM
2	146324	1	SHAFT D16.8 L102/2 X 5
3	146587	1	PIN D16.8 X 65
4	146835	1	HEX NIPPLE 1/4" - 3/8" BSP
4	23235700	1	HEX NIPPLE 3/8"-9/16" ORFS
5	146839	1	HEX NIPPLE 1/4"X3/8" BSP 0.7MM BSP
5	23235800	1	HEX NIPPLE 3/8"-9/16" - 0.7mm ORFS
6	146992	1	BUSHING F.CYLINDER
7	151872	1	BUSHING D22.0/18.0 10MM
8	210728	1	BEARING F.LINK HEAD M17
9	232109	1	FITT.HY TEE 1/4"BSP UNION BSP
9	23241000	1	TEE 9/16"M-9/16"M-9/16"F ORFS ORFS
10	240866	1	DOWTYSEAL 3/8"
11	461198	1	NUT HEX M16X2 JAMB
12	461249	1	NUT M22X1.5 DIN439B
13	480384	1	PIN COTTER 3/16 x 1-1/2"
14	784001	1	HOSE HY X 1/4 X 067.00"STR+ELB BSP
14	78500200	1	HY.HO.1/4"L= 1700 STR-90° ORFS
15	784019	1	HOSE HY X 1/4 X 078.75"STR+ELB BSP
15	78501500	1	HY.HO.1/4"L= 2000 STR-90° ORFS
16	784025	1	HOSE HY X 1/4" x 86.6"STR+ELB BSP
16	78502100	1	HY.HO.1/4"L= 2200 STR-90° ORFS
17	21091900	1	LINK HEAD M16 x D17 DELTA
18	75075000	1	SEAL KIT 78122600/27/28/29
19	78122700	1	CYLINDER D40/22X300MM RED
20	78122900	1	CYLINDER 40/22X300MM RED

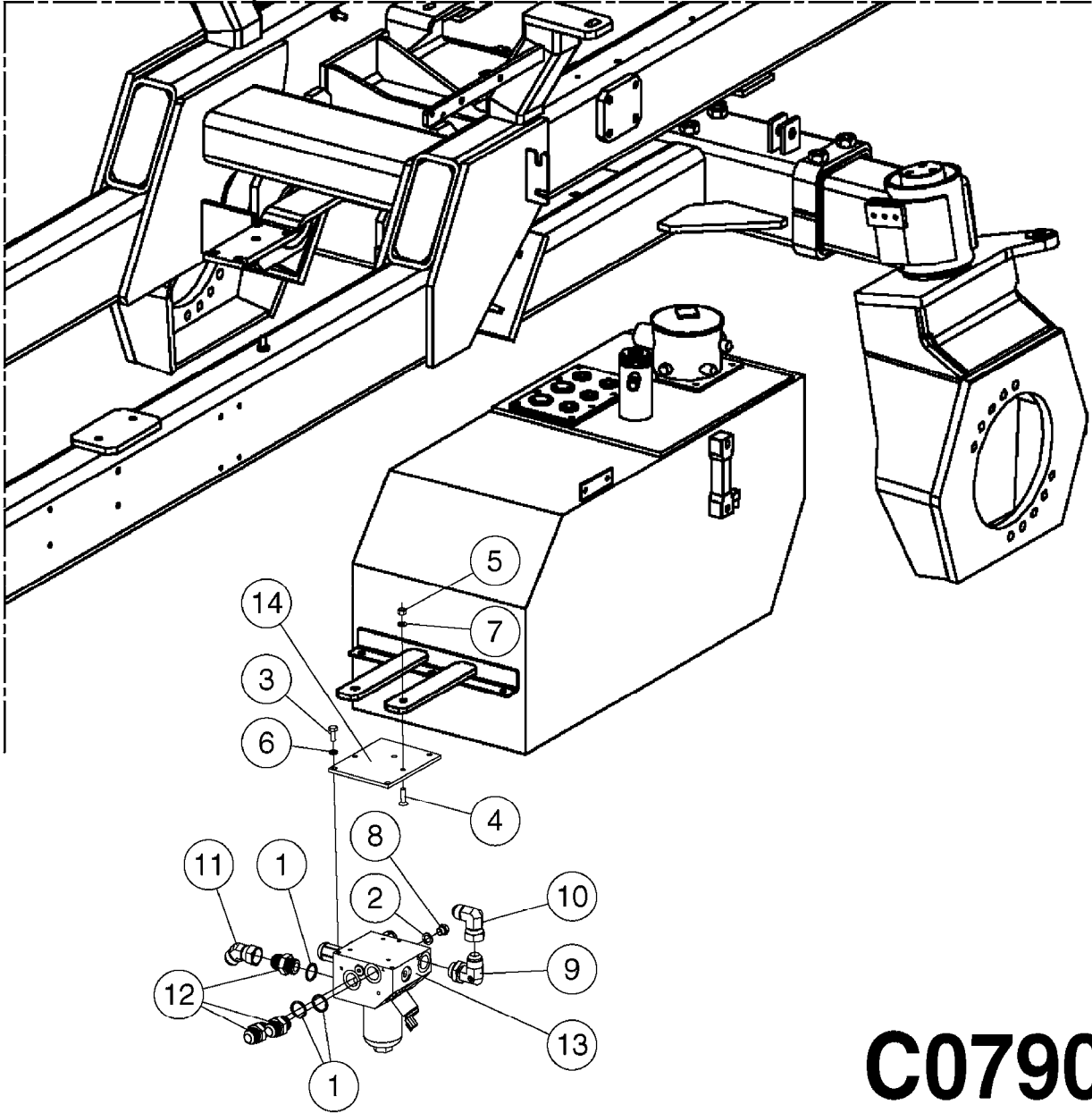




HYD EAG. HZ SPC 90/60'DUALFOLD
C0760-HIN, 11:10:17

Page 1
Date 07.02.2020 8:02

Pos.	parts-n°	order qty	description
1	146450	1	PIN D19.8 X 75 WITH 2 X D5
2	146589	1	PIN D19.8 X 65
3	146672	1	NUT HEX LOCK F.ADJUSTER
4	210730	1	BEARING F.LINK HEAD M20
5	240866	1	DOWTYSEAL 3/8"
6	241404	1	DOWTY SEAL 1/4"
7	283699	1	GREASE NIPPLE M6X1
8	410561	1	BOLT HEX 8.8 DEL M6X50 FT
9	411008	1	BOLT HEX 8.8 DEL M6X55
10	420987	1	BOLT HEX 8.8 SS M8X140
11	430910	1	BOLT HEX 8.8 DEL M20X110
12	430979	1	BOLT HEX M20x140 8.8 DELTA
13	460143	1	SELF LOCK NUT M8 SST A2 DIN985
14	460261	1	NUT HEX M6X1.00 LOCK DIN985 A2 SS
15	460585	1	LOCKING NUT M16 DIN985 A2 SS
16	460806	1	NUT HEX M20X2.50 LOCK DIN985A2 SS
17	461200	1	NUT HEX M20X1.5 JAMB.
18	480384	1	PIN COTTER 3/16 x 1-1/2"
19	731941	1	HYD. BLOCK MANIFOLD
20	14023000	1	BUSHING Ø50.0/36.0 L=52 DEL
21	14027000	1	BANJO BOLT, 1/4" BSP, 0.7MM
22	14031800	1	ADAPTOR F.HY CYLINDER L=40
23	14107700	1	PIN, Ø19.8 F. 90/60 CYLINDER
24	16158003	1	PLATE, 3/16", 375 X 119, FOLDED
25	16349600	1	BRACKET, END-STOP VALVE, 90/60
26	21092000	1	LINK HEAD M20 x D20 L=78 DELTA
27	21092100	1	LINK HEAD M20 x D20 L=73, DELTA
28	23234500	1	HEX NIPPLE 1/4" - 9/16"
29	23235700	1	HEX NIPPLE 3/8"-9/16"
30	23235800	1	HEX NIPPLE 3/8"-9/16" - 0.7mm
31	23240900	1	HYD.FIT. M-F 90° 9/16"-9/16"
32	23241000	1	TEE 9/16"M-9/16"M-9/16"F ORFS
33	28001800	1	REPAIR KIT F.ENDSTOP 1/4"
34	28028600	1	END STOP 1/4"
35	48000603	1	SNAP RING, Ø36X1.5 F.210730
36	72256500	1	DOUB.PILOT STEERED COUNT.VALVE
37	75074400	1	SEAL KIT 78121800/21/44
38	75074600	1	SEAL KIT 78120500/49
39	75084400	1	SEAL KIT FOR 78127200/7500
40	78122100	1	CYLINDER DOUBLE D50/25-298
41	78127200	1	CYLINDER DOUB. D40/25 L=455
42	78128000	1	CYLINDER DOUB. D60/30 L=300 09
43	78500800	1	HY.HO.1/4"L= 2500 STR-90°
44	78501703	1	HY.HO.1/4"L= 2586 STR-90°
45	78501803	1	HY.HO.1/4"L= 7879 STR-90°
46	78501903	1	HY.HO.1/4"L= 9849 STR-90°
47	78502003	1	HY.HO.1/4"L= 250 90°-90°A=0
48	78502100	1	HY.HO.1/4"L= 2200 STR-90°
49	78502103	1	HY.HO.1/4"L= 206 90°-90°A=0
50	78502203	1	HY.HO.1/4"L= 250 STR-BAN



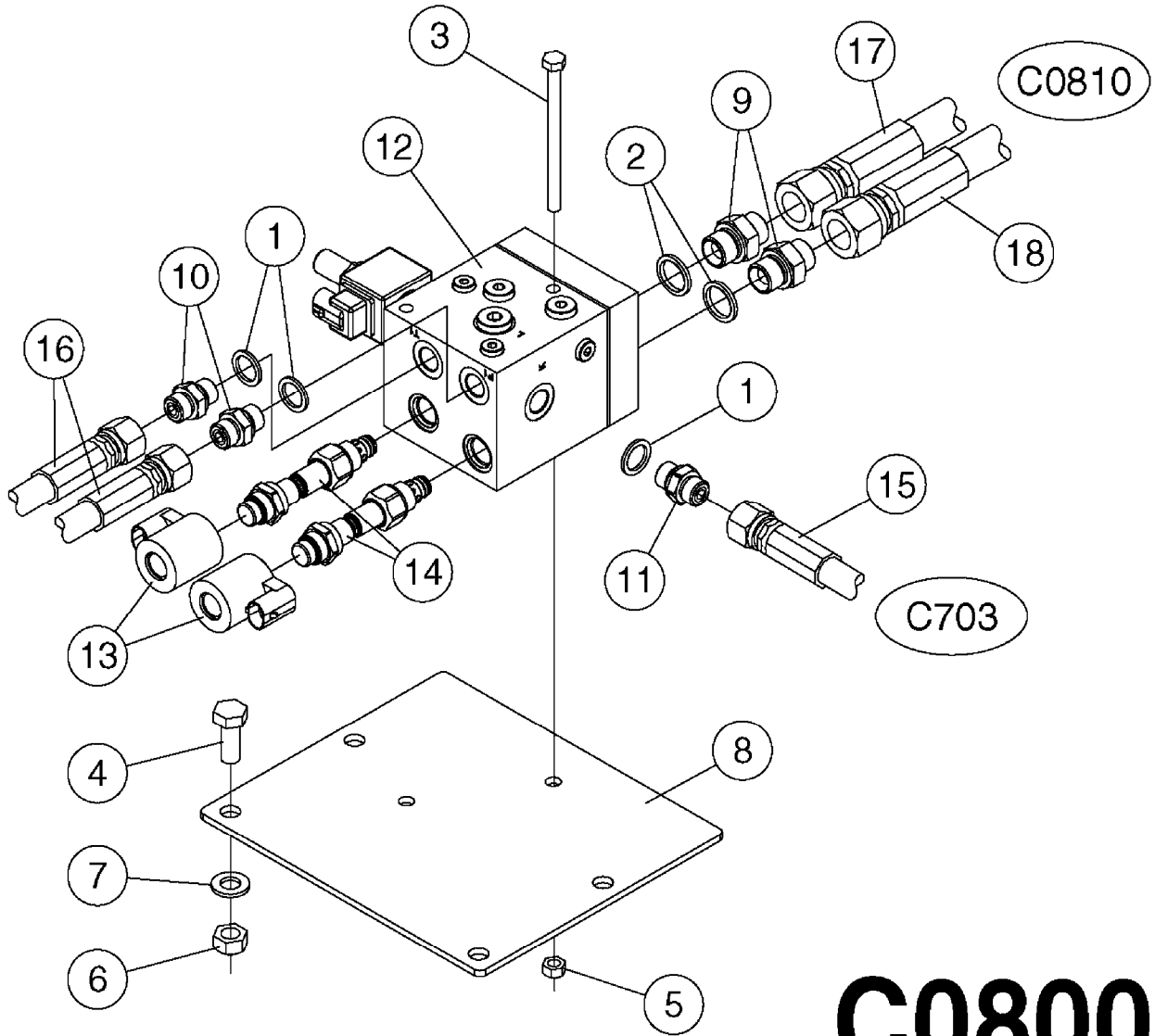
C0790



HYD. FLOW REG. BLOCK PRESIDIO
C0790-HIN, 27:07:16

Page 1
Date 07.02.2020 8:02

Pos.	parts-n°	order qty	description
1	241367	1	DOWTYSEAL 28.5x22
2	241404	1	DOWTY SEAL 1/4"
3	420582	1	BOLT HEX 8.8 DEL M8X20 FT A2
4	458032	1	BOLT M8X30 8.8 DIN7991D SS
5	460143	1	SELF LOCK NUT M8 SST A2 DIN985
6	470407	1	WASHER D14.8D8.1X2 LOCK SS
7	471126	1	WASHER, M8, Ø16/ 8.4X 1.6, SS
8	14010400	1	PLUG 1/4" BSP
9	23006603	1	HEX NIPPLE #12JICM-#12BSPP90M ADJUST.
10	23006703	1	HEX NIPPLE #12JICM-#12JIC90F
11	23006803	1	HEX NIPPLE #12JICM-#12JIC45F
12	23006903	1	HEX NIPPLE #12JICM-#12BSPPM
13	78201601	1	HYD CONTROL FOR FLUID PUMP
14	PR-FEPR25098	1	BRACKET, HY.FLOW REG.BLOC, PRESIDIO



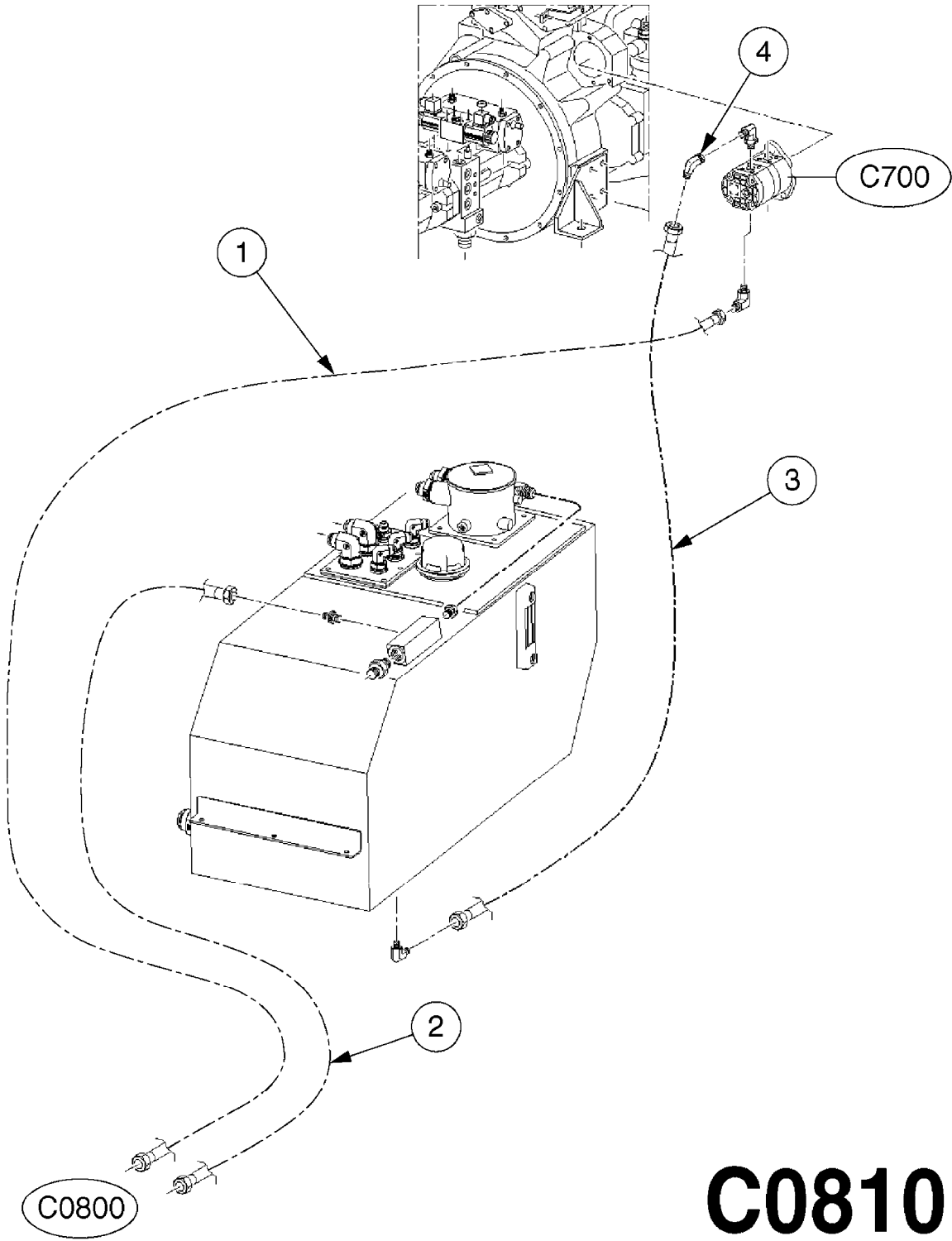
C0800



HYD. LIFT BLOCK PRESIDIO
C0800-HIN, 03:06:19

Page 1
Date 07.02.2020 8:02

Pos.	parts-n°	order qty	description
1	240866	1	DOWTYSEAL 3/8"
2	241356	1	DOWTYSEAL 1/2"
3	421232	1	BOLT HEX 8.8 DEL M8X110
4	430286	1	BOLT HEX 8.8 DEL M12X30 FT
5	460143	1	SELF LOCK NUT M8 SST A2 DIN985
6	460703	1	NUT HEX M12X1.75 LOCK DIN985A2 SS
7	471127	1	WASHER, M12, Ø24/13X24X2.5 SS
8	16169003	1	BRACKET LIFT OPEN CENTER, PR, PLATE, FLAT, 3/16"
9	23006003	1	HEX NIPPLE 1/2"-#8 MJIC
10	23234300	1	HEX NIPPLE 3/8"-11/16"
11	23234600	1	HEX NIPPLE 3/8"-11/16" - 1.8mm
12	78200103	1	FLOW/LIFT BLOCK W/RELIEF
13	78222700	1	COIL W. AMP
14	78222900	1	SOLENOID VALVE NO, SINGLE LOCK
15	78421203	1	HY.HO.3/8"L= 381 # 8JIC45F-# 6ORFSSTRF
16	78503503	1	HY.HO.3/8"L= 3000 STR-90°
17	PR-HF1202AT0629	1	HY.HO.1/2" STR-STR
18	PR-HF1202AT0630	1	HY.HO.1/2" STR-STR





BOOM HYD. CIRCUIT PRESIDIO
C0810-HIN, 08:09:16

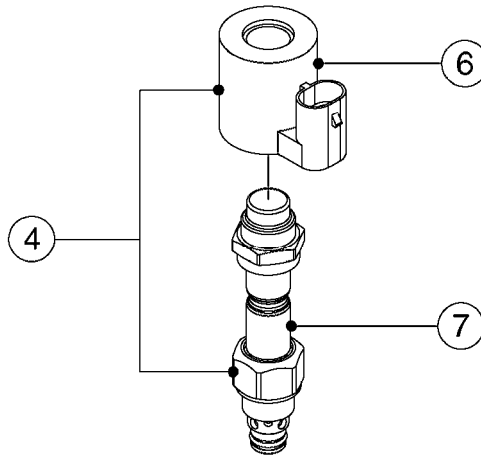
Page 1
Date 07.02.2020 8:02

Pos.	parts-n°	order qty	description
1	PR-HF1202AT0629	1	HY.HO.1/2" STR-STR
2	PR-HF1202AT0630	1	HY.HO.1/2" STR-STR
3	PR-HF3402AT0190	1	HOSE FL 3/4 2AT 2350 770 771
4	PR-HR0167	1	HYDRAULIC CONNECTION ELBOW MJ11/16-FJ1

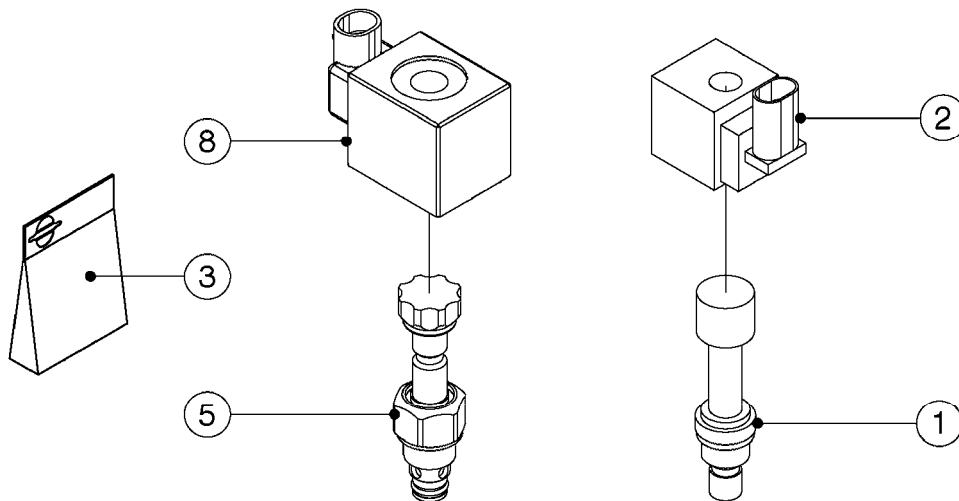


CANNOT MIX SOLENOID VALVES AND COILS
IF IN DOUBT, ORDER COMPLETE SET (4)

CURRENT STYLE (2018)



OLD STYLES (PRE 2018)



C0910

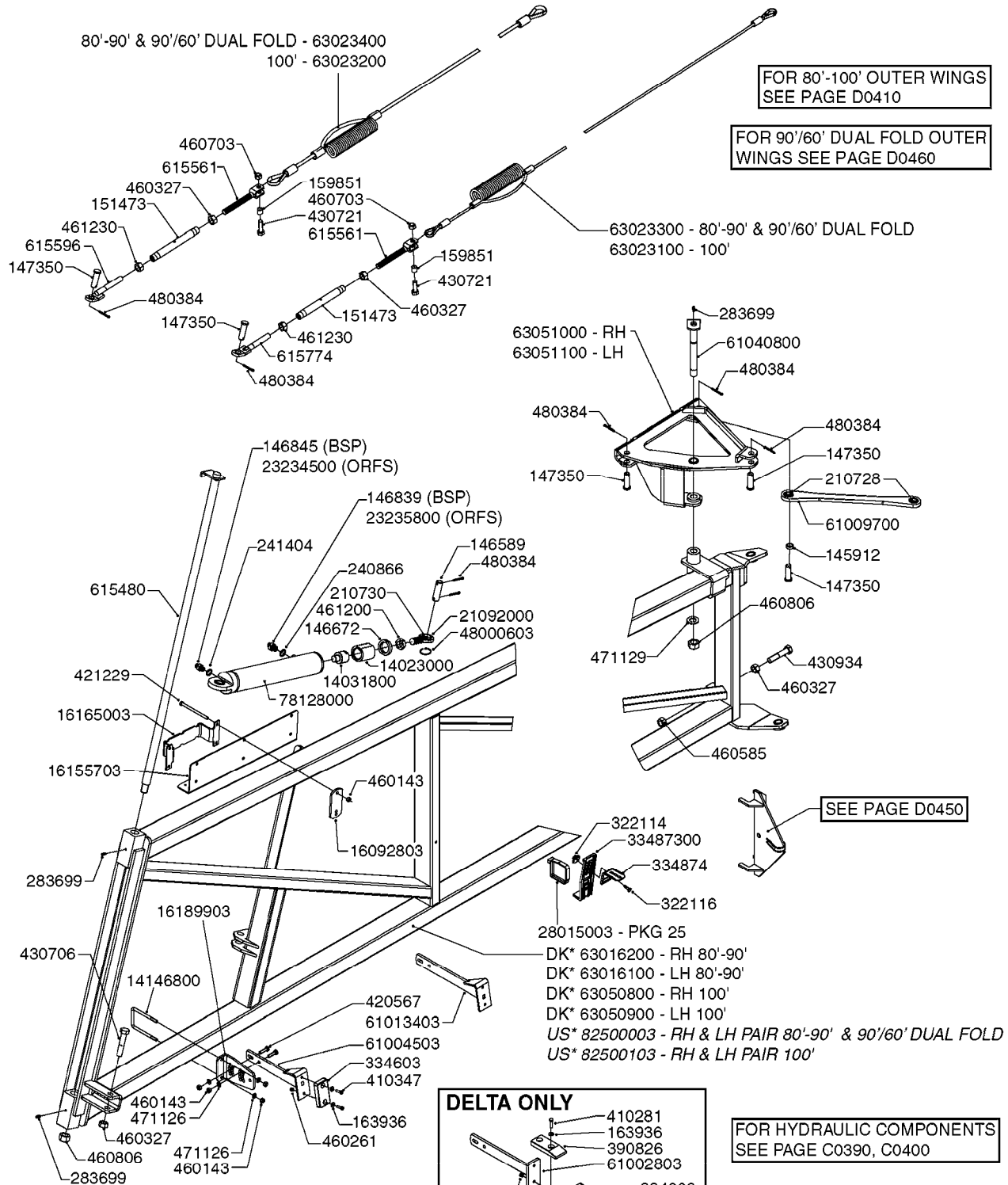


HYDRAULIC SOLENOIDS
C0910-HIN, 13:05:19

Page 1

Date 07.02.2020 8:02

Pos.	parts-n°	order qty	description
1	782129	1	SOLENOID VALVE 25L, 3/4"NC
2	782135	1	SOLENOID W. AMP F.VALVE 782129
3	28100800	1	SEAL KIT F. 782129/78215500 PRE 2018 ONLY
4	75586600	1	SOLENOID VALVE NC, + COIL
5	78215500	1	HY SOLENOID VALVE 40L 3/4"NC
6	78222700	1	COIL W. AMP
7	78222800	1	SOLENOID VALVE NC, DOUBLE LOCK
8	78602100	1	MAGNET M.AMP/DIODE KIT 08



DK* = DENMARK STEEL PARTS
US* = NORTH AMERICAN STEEL PARTS

D0400



BOOM - SPC INNER WING 80-100'
D0400-HIN, 17:10:19

Page 1
Date 07.02.2020 8:02

parts-n°	order qty	description
145912	1	BUSHING D19.8/D17.0X7MM
146589	1	PIN D19.8 X 65
146672	1	NUT HEX LOCK F.ADJUSTER
146839	1	HEX NIPPLE 1/4"X3/8" BSP 0.7MM
146845	1	HEX NIPPLE 1/4"X1/4"
147350	1	PIN D16.8 L60MM
151473	1	TURN BUCKLE HOUSING M16-200
159851	1	BUSHING Ø16.0/13.0 L=16 DEL
163936	1	WASHER D15/D6.2X1
210728	1	BEARING F.LINK HEAD M17
210730	1	BEARING F.LINK HEAD M20
240866	1	DOWTYSEAL 3/8"
241404	1	DOWTY SEAL 1/4"
283699	1	GREASE NIPPLE M6X1
322114	1	NUT PLASTIC F.NOZZ.H
322116	1	BOLT PLASTIC F.NOZZ.H.
334603	1	RUBBER STOP 86X48X15
334874	1	NOZZLE HOLDER - TOP HALF
390826	1	SLIDE PAD F.TRANSPORT BKT.CM/D
410281	1	BOLT HEX 8.8 DEL M6X25 DIN933 A2
410347	1	SCREW M6X20 8.8
420567	1	BOLT HEX 8.8 DEL M8X30 FT
421229	1	BOLT HEX 8.8 DEL M8x120
430706	1	BOLT HEX 8.8 ZINC CLEAR M16X90
430721	1	BOLT HEX 8.8 DEL M12X40 FT
430934	1	BOLT HEX 8.8 DEL M16X80
460143	1	SELF LOCK NUT M8 SST A2 DIN985
460261	1	NUT HEX M6X1.00 LOCK DIN985 A2 SS
460327	1	NUT HEX M16X2
460585	1	LOCKING NUT M16 DIN985 A2 SS
460703	1	NUT HEX M12X1.75 LOCK DIN985A2 SS
460806	1	NUT HEX M20X2.50 LOCK DIN985A2 SS
461200	1	NUT HEX M20X1.5 JAMB.
461230	1	NUT HEX M16X2 LH THREAD
471126	1	WASHER, M8, Ø16/ 8.4X 1.6, SS
471129	1	WASHER, M20, Ø37/21.0X 3.0, SS
480384	1	PIN COTTER 3/16 x 1-1/2"
615480	1	PIN F.HINGE ASSY.
615561	1	CLEVIS F.TURNBUCKLE M16 RH
615596	1	TURN BUCKLE ANCHOR M16 LH
615774	1	ANCHOR LH F.M16 TURNBUCKLE
14023000	1	BUSHING Ø50.0/36.0 L=52 DEL
14031800	1	ADAPTOR F.HY CYLINDER L=40
14146800	1	U-BOLT M8 F. 80x60
16092803	1	PLATE F. TRANSPORT CM+
16155703	1	BRKT, 6 INLINE FILTERS
16165003	1	BRKT, SPC T25 FEED HOSE TIE-DOWN
16189903	1	PLATE F, EAGLE STOPARM
21092000	1	LINK HEAD M20 x D20 L=78 DELTA
23234500	1	HEX NIPPLE 1/4" - 9/16"
23235800	1	HEX NIPPLE 3/8"-9/16" - 0.7mm
28015003	1	PANDUIT TIE STRAP, PKG. 25
33487300	1	NOZZLE HOLDER - BOTTOM HALF
48000603	1	SNAP RING, Ø36X1.5 F.210730
61002803	1	TRANSPORT STOP DELTA-SPC
61004503	1	BOOM STOP SPB/SPC
61009700	1	FOLDING ARM / SPC
61013403	1	BOOM STOP LONG SPC
61040800	1	PIN THREADED D20 L=205 DELTA
63016100	1	WING INNER 80'-90'LH SPC 2007
63016200	1	WING INNER 80'-90'RH SPC 2007

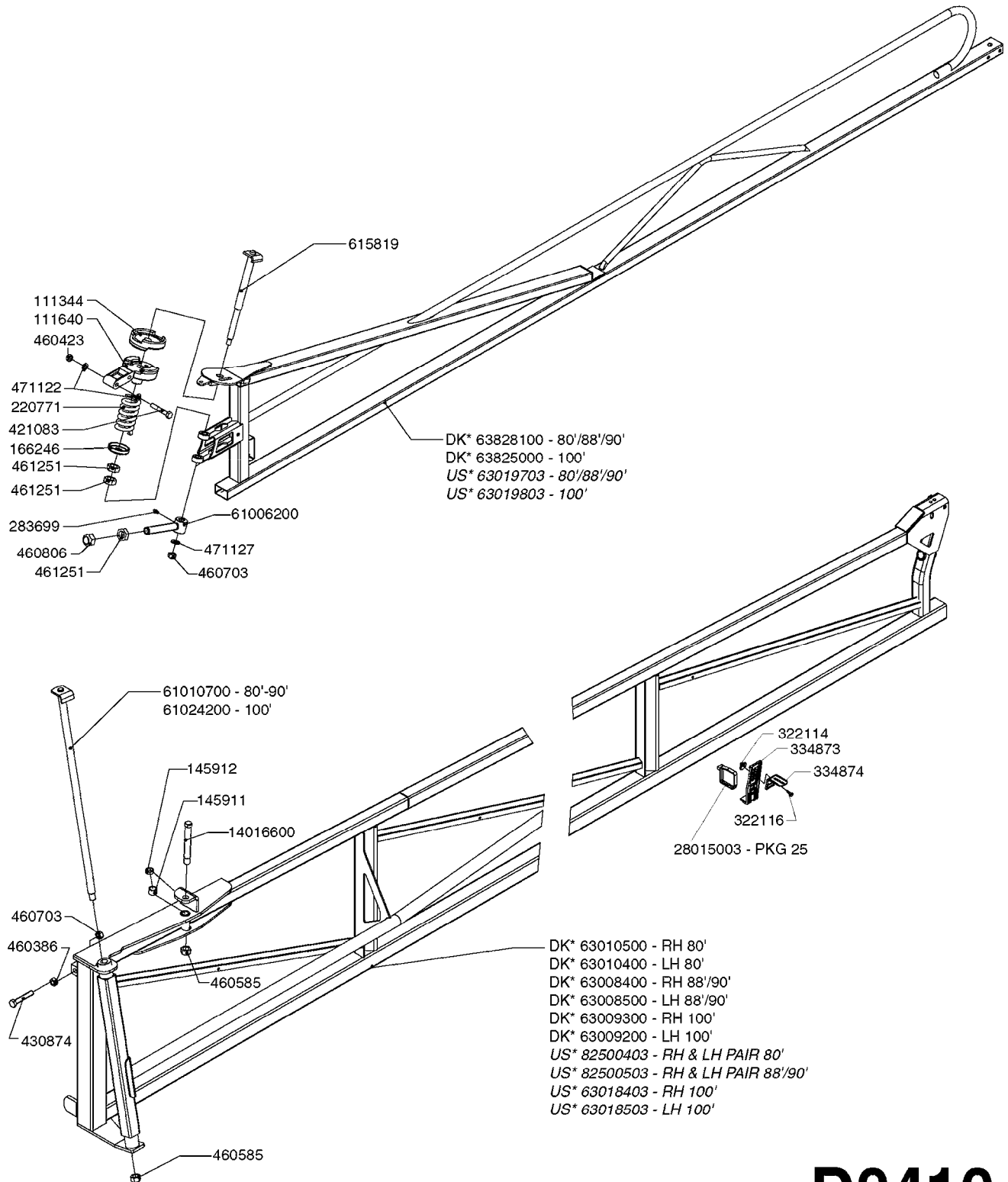


BOOM - SPC INNER WING 80-100'
D0400-HIN, 17:10:19

Page 2

Date 07.02.2020 8:02

parts-n°	order qty	description
63023100	1	CABLE Ø7 X 5280 / SPC REAR
63023200	1	CABLE Ø10 X 5180 / SPC FRONT
63023300	1	CABLE Ø7 X 4780 / SPC REAR
63023400	1	CABLE Ø10 X 4650 / SPC FRONT
63050800	1	WING INNER RH 100' SPC 05
63050900	1	WING INNER LH 100' SPC 05
63051000	1	FOLD MECHANISM R.H. SPC 05
63051100	1	FOLD MECHANISM L.H. SPC 05
78128000	1	CYLINDER DOUB. D60/30 L=300 09
82500003	1	WING INNER SET FPS SPC 80-90'
82500103	1	WING INNER SET FPS SPC 100'



DK* = DENMARK STEEL PARTS
US* = NORTH AMERICAN STEEL PARTS

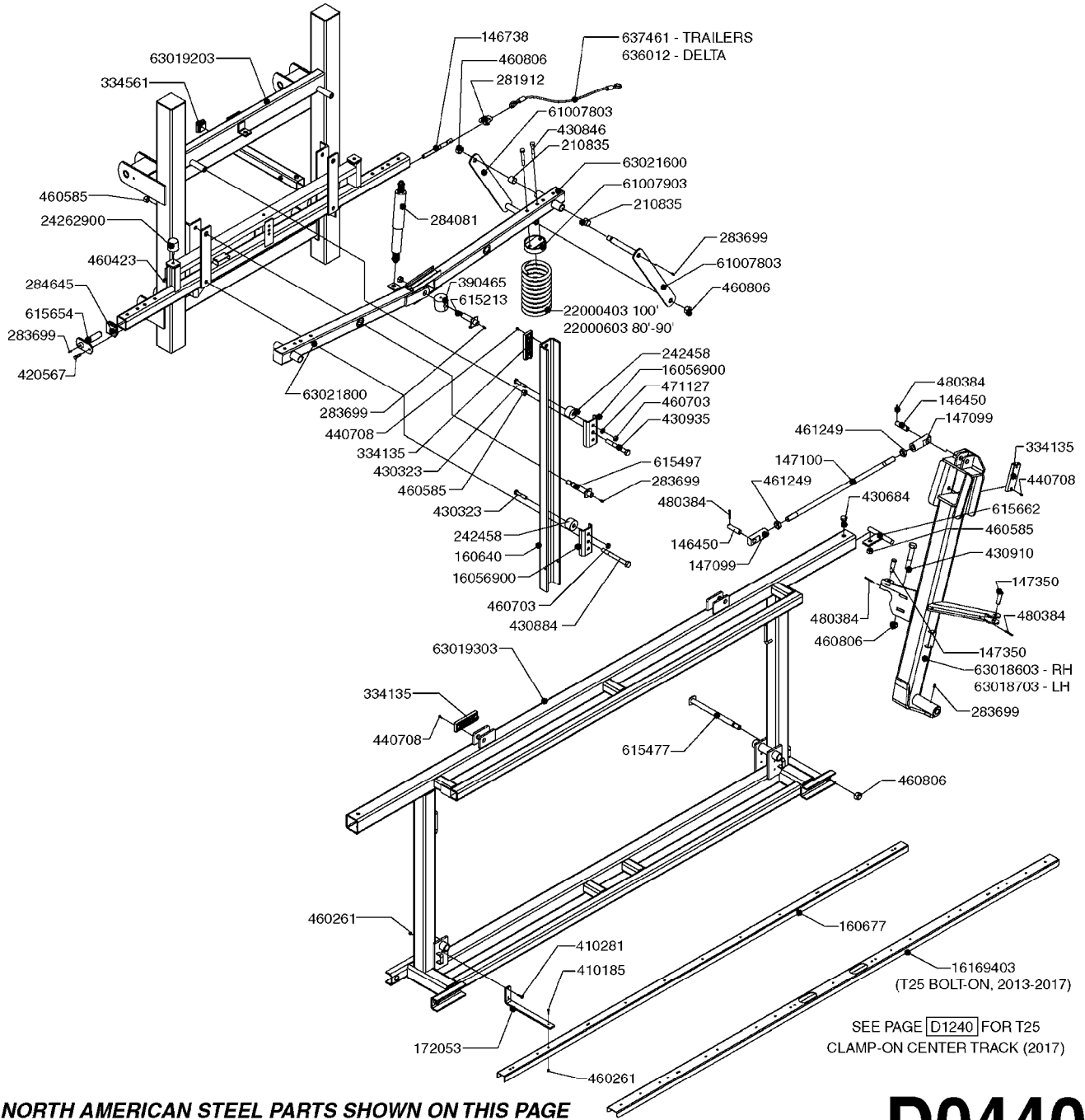
D0410



BOOM - SPC OUTER WING 80-100'
D0410-HIN, 01:01:16

Page 1
Date 07.02.2020 8:02

parts-n°	order qty	description
111344	1	CLAW CLUTCH Ø100/Ø20,5 UNDER PART RED
111640	1	CLAW CLUTCH Ø100 TOP PART RED
145911	1	BUSHING FOR HY CYL 21M LZ
145912	1	BUSHING D19.8/D17.0X7MM
166246	1	WASHER CUP D53 F.SPRING
220771	1	SPRING D53/D43X100
283699	1	GREASE NIPPLE M6X1
322114	1	NUT PLASTIC F.NOZZ.H
322116	1	BOLT PLASTIC F.NOZZ.H.
334873	1	NOZZ.HOLDER BOTTOM HLF33487300
334874	1	NOZZLE HOLDER - TOP HALF
421083	1	BOLT HEX 8.8 DEL M10X65
430874	1	SCREW SET 8.8 DEL M12X70 FT
460386	1	NUT HEX M12X1.75
460423	1	NUT HEX M10X1.50 LOCK DIN985A2 SS
460585	1	LOCKING NUT M16 DIN985 A2 SS
460703	1	NUT HEX M12X1.75 LOCK DIN985A2 SS
460806	1	NUT HEX M20X2.50 LOCK DIN985A2 SS
461251	1	NUT HEX M20 X 2.5 JAMB
471122	1	WASHER, M10, Ø20/10.5X 2.0, SS
471127	1	WASHER, M12, Ø24/13X24X2.5 SS
615819	1	PIN
14016600	1	PIN F. LINK ARM / SPC
28015003	1	PANDUIT TIE STRAP, PKG. 25
61006200	1	ADJ. ARM F.BREAKAWAY FTZ
61010700	1	PIN F.HINGE 80-90'/SPC L=664
61024200	1	PIN F. PIVOT HINGE 100'/SPC
63008400	1	OUTERWING 90' RH / SPC
63008500	1	OUTERWING 90' LH / SPC
63009200	1	OUTERWING 100' LH / SPC
63009300	1	OUTERWING 100' RH / SPC
63010400	1	OUTERWING 80' LH / SPC
63010500	1	OUTERWING 80' RH / SPC
63018403	1	WING OUTER RH 100' SPC
63018503	1	WING OUTER LH 100' SPC
63019703	1	BREAKAWAY 2.5M SPC/FTZ
63019803	1	BREAKAWAY 3M SPC/FTZ
63828100	1	BREAKAWAY FTZ/SPC 2.5M, RED
63825000	1	BREAKAWAY FTZ/SPC 3.0M, RED
82500403	1	WING OUTER SET FPS 80' SPC
82500503	1	WING OUTER SET FPS 88-90' SPC



SEE PAGE [D1240](#) FOR T25
CLAMP-ON CENTER TRACK (2017)

**NORTH AMERICAN STEEL PARTS SHOWN ON THIS PAGE
FOR DENMARK STEEL PARTS, SEE PAGE D0390**

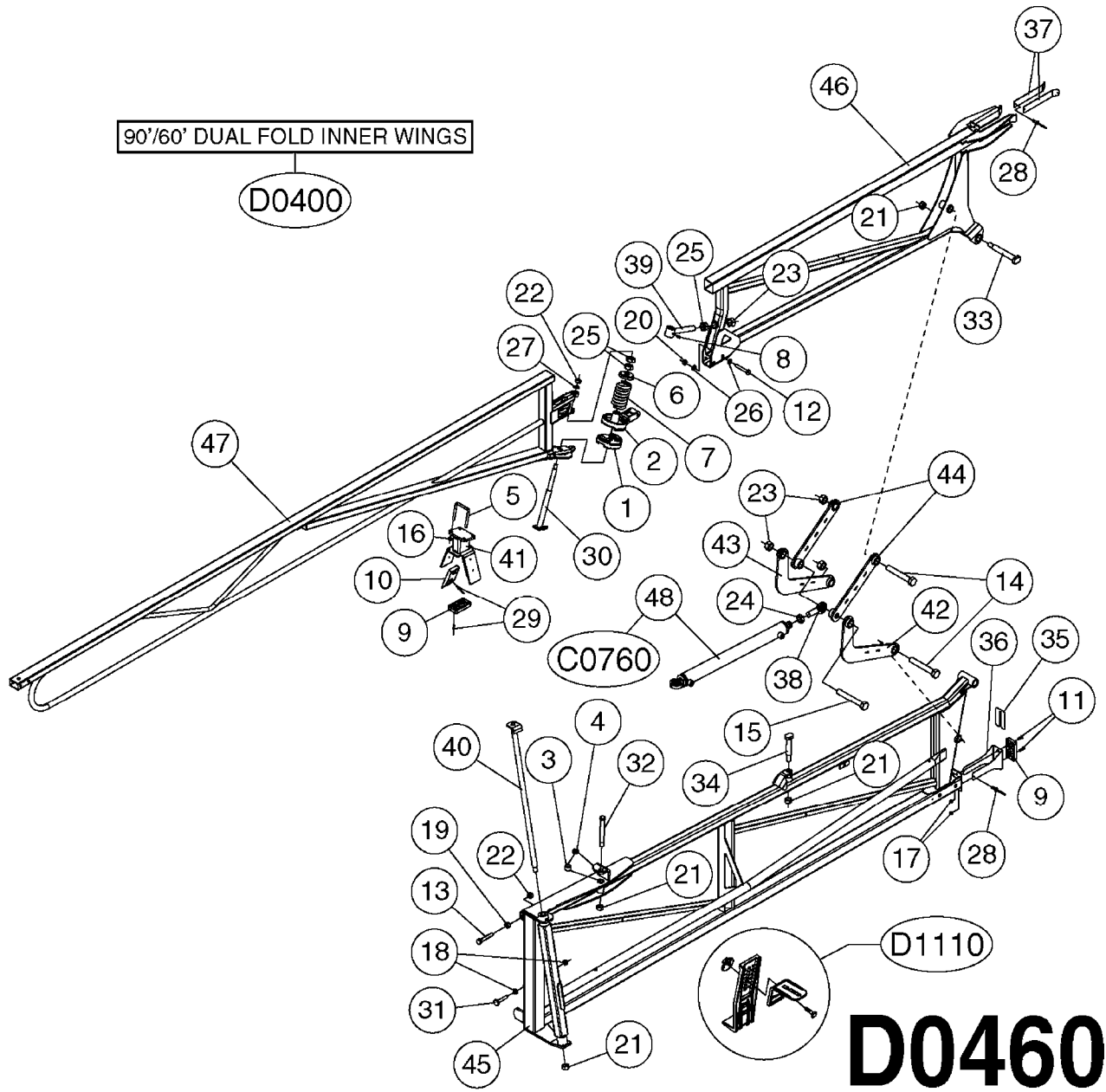
D0440



BOOM SPC PARAL.CTR.80-100' US
D0440-HIN, 26:09:19

Page 1
Date 07.02.2020 8:02

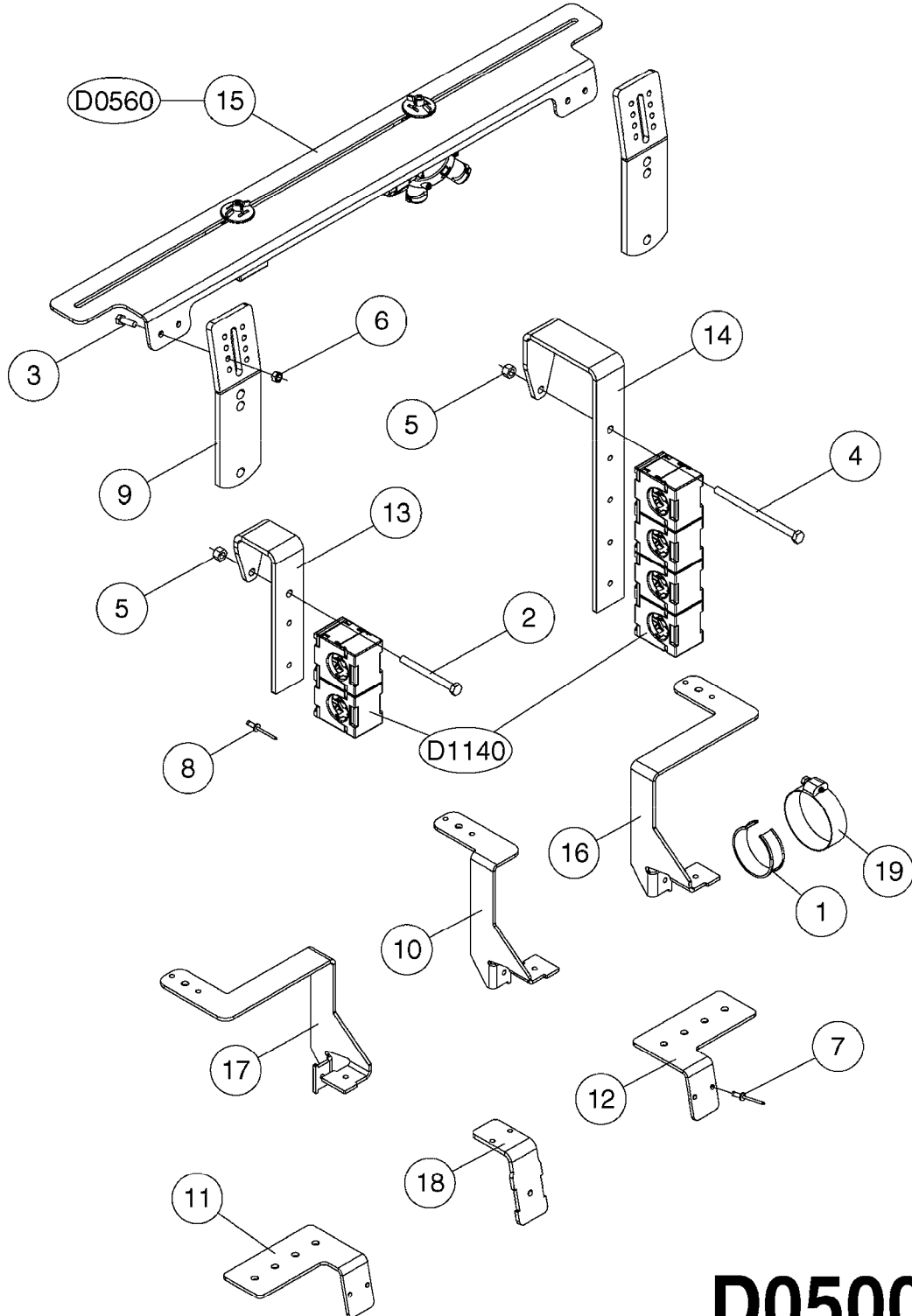
parts-n°	order qty	description
146450	1	PIN D19.8 X 75 WITH 2 X D5
146738	1	PIN FOR CENTER CABLE EAGLE
147099	1	CLEVIS F.TILT ARM
147100	1	ROD F.TILT 80/90'
147350	1	PIN D16.8 L60MM
160640	1	U CHANNEL 80/90'
160677	1	NOZZLE TRACK 80/90'
172053	1	NOZZLE TRACK HOLDER
210835	1	BUSHING D28/25 L=25
242458	1	BUSHING RUBBER DAMPER SPC EAG.
281912	1	SHACKLE M-10
283699	1	GREASE NIPPLE M6X1
284081	1	SHOCK ABSORBER 150 1121 MONROE
284645	1	PLUG 60x60x2
334135	1	SLIDE SHOE 140X45X15
334561	1	PLUG 50x50x2 F.SQ.TUBE
390465	1	JOINER BLOCK TRAPEEZE EAGLE
410185	1	BOLT HEX 8.8 DEL M6X16
410281	1	BOLT HEX 8.8 DEL M6X25 DIN933 A2
420567	1	BOLT HEX 8.8 DEL M8X30 FT
430323	1	BOLT HEX 8.8 DEL M12X60
430684	1	BOLT HEX 8.8 DEL M16X30 FT
430846	1	BOLT HEX 8.8 DEL M12X80
430884	1	BOLT HEX 8.8 DEL M16X160
430910	1	BOLT HEX 8.8 DEL M20X110
430935	1	BOLT HM16-130/44 8.8 DAC DIN931
440708	1	SCREW M5.5X16 SELF TAPPING SS
460261	1	NUT HEX M6X1.00 LOCK DIN985 A2 SS
460423	1	NUT HEX M10X1.50 LOCK DIN985A2 SS
460585	1	LOCKING NUT M16 DIN985 A2 SS
460703	1	NUT HEX M12X1.75 LOCK DIN985A2 SS
460806	1	NUT HEX M20X2.50 LOCK DIN985A2 SS
461249	1	NUT M22X1.5 DIN439B
471127	1	WASHER, M12, Ø24/13X24X2.5 SS
480384	1	PIN COTTER 3/16 x 1-1/2"
615213	1	PIN D22 X 70 LUBED F.EAGLE
615477	1	PIN F.HINGE 80/90'
615497	1	PIN D22 X 159 LUBED F.EAGLE
615654	1	PIN D25 X 123 F. PARALIFT
615662	1	SAFETY BAR F. TILT 80-90'
636012	1	CABLE,CENTER 80/90 7mm X 870mm
637461	1	CABLE CENTER 80/90' 7mm x935mm
16056900	1	PLATE SPC EAGLE 80-100
16169403	1	CENTER TRACK, SPC, 75-90' T25
22000403	1	SPRING SPC 100' CENTER SECTION
22000603	1	SPRING, COIL, SPC 80-90', RED
24262900	1	RUBBER STOP D50X40 M10X33
61007803	1	TRAPEZE BAR SPC CENTER
61007903	1	SPRING BASE SPC CENTER
63018603	1	HINGE 80'-100' RH / SPC
63018703	1	HINGE 80'-100' LH / SPC
63019203	1	PARA-LIFT LIFT CENTER SPC
63019303	1	CENTER FRAME SPC
63021600	1	SUSPENSION ARM SPC 80-100
63021800	1	SUSPENSION ARM SPC 80-100





BOOM SPC OUTER 90/60' DUALFOLD
D0460-HIN, 11:10:17

Pos.	parts-n°	order qty	description
1	111344	1	CLAW CLUTCH Ø100/Ø20,5 UNDER PART RED
2	111640	1	CLAW CLUTCH Ø100 TOP PART RED
3	145911	1	BUSHING FOR HY CYL 21M LZ
4	145912	1	BUSHING D19.8/D17.0X7MM
5	146629	1	BOLT U M8 F. 60 X 40
6	166246	1	WASHER CUP D53 F.SPRING
7	220771	1	SPRING D53/D43X100
8	283699	1	GREASE NIPPLE M6X1
9	334603	1	RUBBER STOP 86X48X15
10	390826	1	SLIDE PAD F.TRANSPORT BKT.CM/D
11	410362	1	BOLT HEX 8.8 SS M6X20
12	421083	1	BOLT HEX 8.8 DEL M10X65
13	430874	1	SCREW SET 8.8 DEL M12X70 FT
14	430888	1	BOLT HEX 8.8 DEL M20X130
15	430979	1	BOLT HEX M20x140 8.8 DELTA
16	460143	1	SELF LOCK NUT M8 SST A2 DIN985
17	460261	1	NUT HEX M6X1.00 LOCK DIN985 A2 SS
18	460342	1	NUT HEX M10 DEL DIN934
19	460386	1	NUT HEX M12X1.75
20	460423	1	NUT HEX M10X1.50 LOCK DIN985A2 SS
21	460585	1	LOCKING NUT M16 DIN985 A2 SS
22	460703	1	NUT HEX M12X1.75 LOCK DIN985A2 SS
23	460806	1	NUT HEX M20X2.50 LOCK DIN985A2 SS
24	461200	1	NUT HEX M20X1.5 JAMB.
25	461251	1	NUT HEX M20 X 2.5 JAMB
26	471122	1	WASHER, M10, Ø20/10.5X 2.0, SS
27	471127	1	WASHER, M12, Ø24/13X24X2.5 SS
28	480800	1	RIVET Ø3.2X10
29	480804	1	RIVET Ø4.8x14.5
30	615819	1	PIN
31	14011800	1	BOLT HEX DEL M10X60 SPECIAL
32	14016600	1	PIN F. LINK ARM / SPC
33	14107600	1	PIN, Ø20 F. 90/60 FOLD
34	14107700	1	PIN, Ø19.8 F. 90/60 CYLINDER
35	16329900	1	SHIM, SS, LEVELING, 90/60 OPTIONAL (AS NEEDED)
36	16339400	1	WEAR PLATE, SS, 1.OUTER, 90/60
37	16339500	1	WEAR PLATE, SS, 2.OUTER, 90/60
38	21092100	1	LINK HEAD M20 x D20 L=73, DELTA
39	61006200	1	ADJ. ARM F.BREAKAWAY FTZ
40	61010700	1	PIN F.HINGE 80-90'/SPC L=664
41	61016503	1	2.OUTER BOOM REST, 120/90' SPC
42	61066100	1	FOLDING ARM,90/60,1.OUT"A"
43	61066300	1	FOLDING ARM,90/60,1.OUT"B"
44	61066500	1	FOLDING ARM,90/60,2.OUTER
45	63107300	1	BOOM, 90/60, 1.OUTER, RH
45	63112700	1	BOOM, 90/60, 1.OUTER, LEFT
46	63107500	1	BOOM, 90/60, 2.OUTER
47	63825000	1	BREAKAWAY FTZ/SPC 3.0M, RED
48	78127200	1	CYLINDER DOUB. D40/25 L=455



D0500

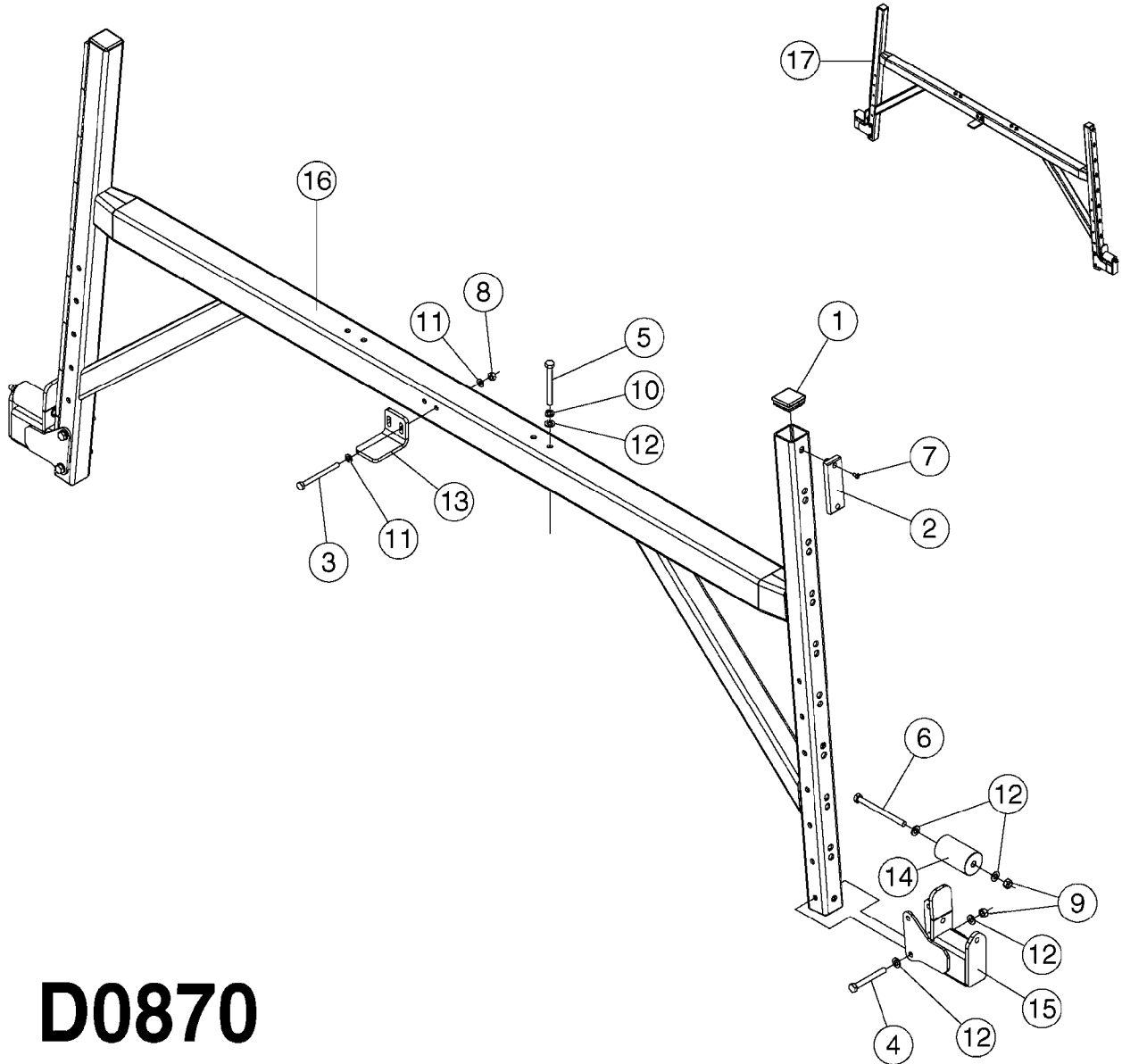


SPC PLUMB.BRACKETS - T25
D0500-HIN, 21:02:17

Page 1

Date 07.02.2020 8:02

Pos.	parts-n°	order qty	description
1	341291	1	RUBBER HOSE CLAMP COVER 130MM
2	410384	1	BOLT HEX 8.8 DEL M6X65
3	410406	1	BOLT HEX 8.8 DEL M5X16 FT
4	410524	1	BOLT HEX 8.8 DEL M6X100
5	460261	1	NUT HEX M6X1.00 LOCK DIN985 A2 SS
6	461217	1	NUT HEX M5 LOCK
7	480783	1	RIVET Ø4x14, GR 7.9-9.5 ALUM
8	480804	1	RIVET Ø4.8x14.5
9	16109303	1	PLATE F. TRANSPORT REST CM
10	16110803	1	NOZZLE BRACKET VAR SPACINGS
11	16162503	1	BRACKET,NOZZLE OFFSET,R,BLACK
12	16163003	1	BRACKET,NOZZLE OFFSET,L,BLACK
13	16164803	1	BRACKET, T25 FEEDTUBE HANG
14	16166203	1	BRACKET, T25 FEED TUBE HANG 80X60
15	16183403	1	BRACKET, TRANSPORT BAR NOZ SPC, RED
16	16183603	1	BRACKET, NOZZLE OFFSET, LH, RED
17	16183803	1	BRACKET, NOZZLE OFFSET, RH, RED
18	16380800	1	BRACKET, NOZZLE DUMMY, T25
19	28047003	1	CLAMP HOSE GEAR 30 X 50 6732



D0870



TRANSPORT BKTS - SPC PRESIDIO
D0870-HIN, 24:06:16

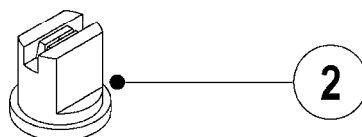
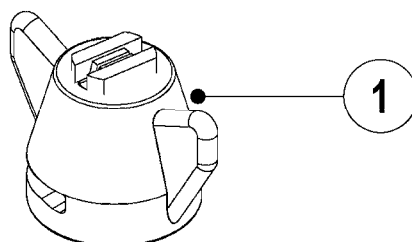
Page 1

Date 07.02.2020 8:02

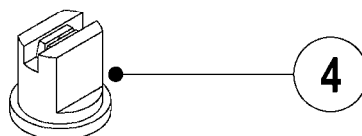
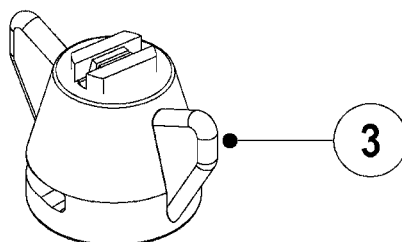
Pos.	parts-n°	order qty	description
1	284645	1	PLUG 60x60x2
2	334135	1	SLIDE SHOE 140X45X15
3	420663	1	BOLT HEX 8.8 DEL M10X120 A4-80
4	430872	1	BOLT HEX 8.8 DEL M12X100 FT
5	430892	1	BOLT HEX 8.8 DEL M12X110
6	430914	1	BOLT HEX 8.8 DEL M12X150
7	440708	1	SCREW M5.5X16 SELF TAPPING SS
8	460423	1	NUT HEX M10X1.50 LOCK DIN985A2 SS
9	460703	1	NUT HEX M12X1.75 LOCK DIN985A2 SS
10	470466	1	WASHER D21.1/D12.2X2.5 LOCK
11	471122	1	WASHER, M10, Ø20/10.5X 2.0, SS
12	471127	1	WASHER, M12, Ø24/13X24X2.5 SS
13	16181703	1	LOCK RINSE TANK, PRESIDIO
14	39003603	1	ROLLER FOR TRANSPORT, POM.
15	63043503	1	TRANSPORT REST, SPC, GRAY
16	63043603	1	TRANSPORT BRACKET, PRESIDIO
17	70118103	1	TRANSPORT KIT, PRESIDIO 2700



SYNTAL



CERAMIC



D1000



BOOM-NOZZLES 110° FLAT FAN ISO
D1000-HIN, 01:01:16

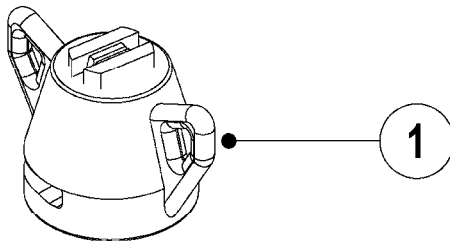
Page 1

Date 07.02.2020 8:02

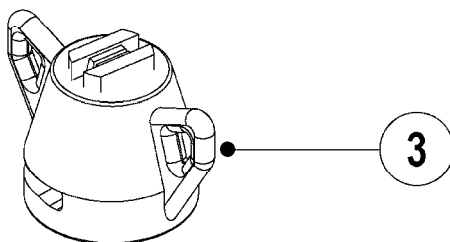
Pos.	parts-n°	order qty	description
1	371764	1	NOZZLE ISO CT F-01-110 ORANGE
1	371765	1	NOZZLE ISO CT F-015-110 GREEN
1	371766	1	NOZZLE ISO CT F-02-110 YELLOW
1	371767	1	NOZZLE ISO CT F-03-110 BLUE
1	371768	1	NOZZLE ISO CT F-04-110 RED
1	371769	1	NOZZLE ISO CT F-05-110 BROWN
1	371770	1	NOZZLE ISO CT F-06-110 GREY
1	371771	1	NOZZLE ISO CT F-08-110 WHITE
1	371950	1	NOZZLE ISO CT F-025-110 LILAC
1	371964	1	NOZZLE ISO CT F-075-110 PINK
1	371970	1	NOZZLE ISO CT F-10-110 LT BLUE
2	371706	1	NOZZLE ISO F-01-110 ORANGE
2	371707	1	NOZZLE ISO F-015-110 GREEN
2	371708	1	NOZZLE ISO F-02-110 YELLOW
2	371709	1	NOZZLE ISO F-03-110 BLUE
2	371710	1	NOZZLE ISO F-04-110 RED
2	371711	1	NOZZLE ISO F-05-110 BROWN
2	371712	1	NOZZLE ISO F-06-110 GREY
2	371713	1	NOZZLE ISO F-08-110 WHITE
2	371946	1	NOZZLE ISO F-025-110 LILAC
2	371963	1	NOZZLE ISO F-075-110 PINK
2	371966	1	NOZZLE ISO F-10-110 LT BLUE
3	371772	1	NOZZLE ISO CT F-015-110C GREEN
3	371773	1	NOZZLE ISO CT F-02-110C YELLOW
3	371774	1	NOZZLE ISO CT F-03-110C BLUE
3	371775	1	NOZZLE ISO CT F-04-110C RED
3	371776	1	NOZZLE ISO CT F-05-110C BROWN
3	371777	1	NOZZLE ISO CT F-06-110C GREY
4	371738	1	NOZZLE ISO F-015-110C GREEN
4	371739	1	NOZZLE ISO F-02-110C YELLOW
4	371740	1	NOZZLE ISO F-03-110C BLUE
4	371741	1	NOZZLE ISO F-04-110C RED
4	371742	1	NOZZLE ISO F-05-110C BROWN
4	371743	1	NOZZLE ISO F-06-110C GREY



SYNTAL



CERAMIC



D1010





BOOM-NOZZLES 110° LOWDRIFT ISO
D1010-HIN, 01:01:16

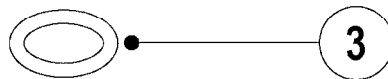
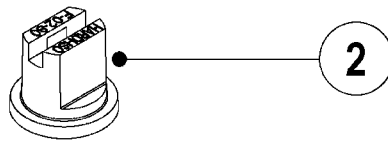
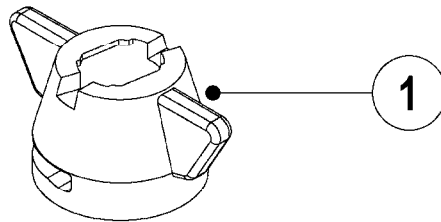
Page 1

Date 07.02.2020 8:02

Pos.	parts-n°	order qty	description
1	371837	1	NOZZLE ISO CT LD-01-110 ORANGE
1	371838	1	NOZZLE ISO CT LD-015-110 GREEN
1	371839	1	NOZZLE ISO CT LD-02-110 YELLOW
1	371840	1	NOZZLE ISO CT LD-03-110 BLUE
1	371841	1	NOZZLE ISO CT LD-04-110 RED
1	371894	1	NOZZLE ISO CT LD-05-110 BROWN
1	371958	1	NOZZLE ISO CT LD-025-110 LILAC
2	371817	1	NOZZLE ISO LD-01-110 ORANGE
2	371818	1	NOZZLE ISO LD-015-110 GREEN
2	371819	1	NOZZLE ISO LD-02-110 YELLOW
2	371820	1	NOZZLE ISO LD-03-110 BLUE
2	371821	1	NOZZLE ISO LD-04-110 RED
2	371893	1	NOZZLE ISO LD-05-110 BROWN
2	371957	1	NOZZLE ISO LD-025-110 LILAC
3	371842	1	NOZZLE ISO CT LD-01-110C ORANG
3	371843	1	NOZZLE ISO CT LD-015-110C GRN
3	371844	1	NOZZLE ISO CT LD-02-110C YELLO
3	371845	1	NOZZLE ISO CT LD-03-110C BLUE
3	371846	1	NOZZLE ISO CT LD-04-110C RED
3	371897	1	NOZZLE ISO CT LD-05-110C BROWN
4	371822	1	NOZZLE ISO LD-01-110C ORANGE
4	371823	1	NOZZLE ISO LD-015-110C GREEN
4	371824	1	NOZZLE ISO LD-02-110C YELLOW
4	371825	1	NOZZLE ISO LD-03-110C BLUE
4	371826	1	NOZZLE ISO LD-04-110C RED
4	371896	1	NOZZLE ISO LD-05-110C BROWN



SYNTAL



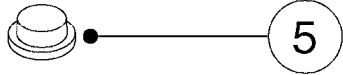
D1020



BOOM-NOZZLES 80° FLAT FAN ISO
D1020-HIN, 01:01:16

Page 1
Date 07.02.2020 8:02

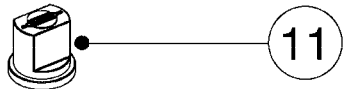
Pos.	parts-n°	order qty	description
1	334083	1	SNAP-FIT NOZZLE HOLDER SS BLCK
2	371931	1	SYNTAL ISO F-01-80 TIP ORNG
2	371932	1	SYNTAL ISO F-015-80 TIP GREEN
2	371933	1	SYNTAL ISO F-02-80 TIP YELLOW
2	371934	1	SYNTAL ISO F-03-80 TIP BLUE
3	10423503	1	O-RING 9.12x3.53 NITRIL



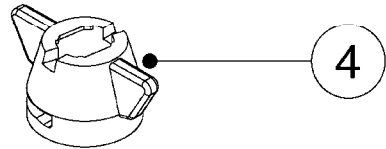
5



14



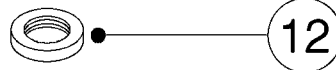
11



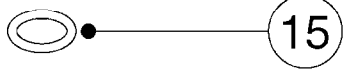
4



13



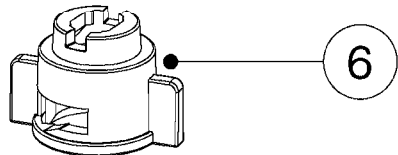
12



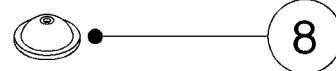
15



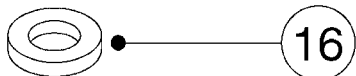
10



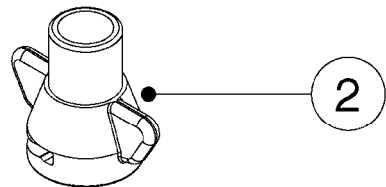
6



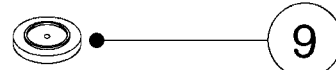
8



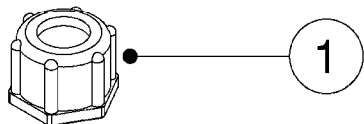
16



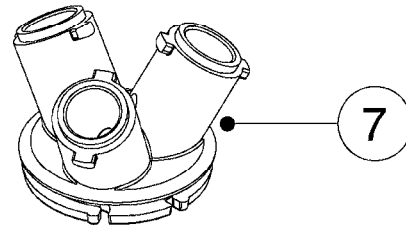
2



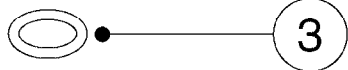
9



1



7



3

D1030

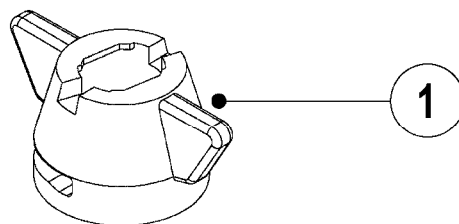


BOOM-NOZZLE CAPS AND FILTERS
D1030-HIN, 28:11:17

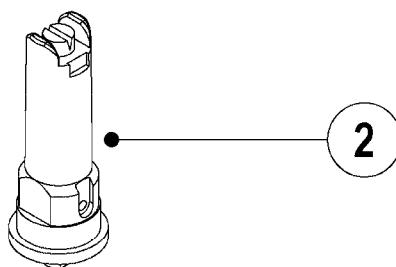
Page 1

Date 07.02.2020 8:02

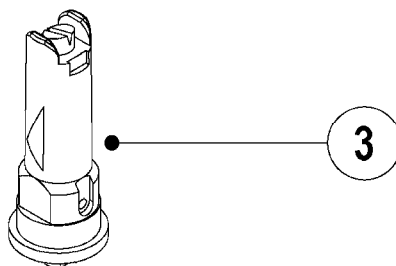
Pos.	parts-n°	order qty	description
1	320187	1	FITT.DK CAP 3/8" BSP BLACK
1	321517	1	FITT.DK CAP 3/8" BSP WHITE
			ALWAYS USE WITH ISO AND INJET NOZZLES
1	321797	1	FITT.DK CAP 3/8' BSP BLUE
1	321801	1	FITT.DK CAP 3/8' BSP GREEN
1	321812	1	FITT.DK CAP 3/8' BSP RED
1	321823	1	FITT.DK CAP 3/8' BSP ORANGE
1	321834	1	FITT.DK CAP 3/8' BSP YELLOW
2	322068	1	SNAP-FIT ADAPTER THREAD. HARDI
3	330013	1	O-RING 2.5 X 10 PUR
4	334083	1	SNAP-FIT NOZZLE HOLDER SS BLCK
5	334102	1	BLANK F.NOZZLE
6	334862	1	NOZZLE CAP TJBLACK F.ISO/INJET
7	334926	1	SNAP-FIT TURN PLATE F TRIPLET
8	370016	1	NOZZLE CONE JET 1553-08
8	370027	1	NOZZLE CONE JET 1553-10
8	370031	1	NOZZLE CONE JET 1553-12
8	370042	1	NOZZLE CONE JET 1553-14
8	370053	1	NOZZLE CONE JET 1553-16
8	370064	1	NOZZLE CONE JET 1553-18
8	370075	1	NOZZLE CONE JET 1553-20
8	370086	1	NOZZLE CONE JET 1553-22
8	370097	1	NOZZLE CONE JET 1553-24
8	370101	1	NOZZLE CONE JET 1553-30
8	370112	1	NOZZLE CONE JET 1553-35
8	370123	1	NOZZLE CONE JET 1553-40
9	370134	1	NOZZLE SWIRL 1554-GREY
9	370145	1	NOZZLE SWIRL 1554-BLACK
9	370156	1	NOZZLE SWIRL 1554-BLUE
9	370167	1	NOZZLE SWIRL 1554-1.3 WHITE
10	371551	1	NOZZ LRG DROP FLAT SPRAY SINGL
11	372140	1	HARDI ISO BLIND CAP
12	390639	1	O-RING F.NOZZLE FILTER
13	614366	1	FILTER 50 MESH F.NOZZLE BLUE
13	614367	1	FILTER 80 MESH F.NOZZLE RED
13	614368	1	FILTER 100 MESH F.NOZZLE YEL.
14	725042	1	SCREEN 80 MESH W.GASKET, RED
14	725043	1	SCREEN 50 MESH W.GASKET,BLUE
14	725044	1	SCREEN 100 MESH W.GASKET,YELLO
15	10423503	1	O-RING 9.12x3.53 NITRIL
16	24022901	1	GASKET D10X19 EP 3.2



INJET Nozzle SYNTAL



B-JET Nozzle SYNTAL



D1040

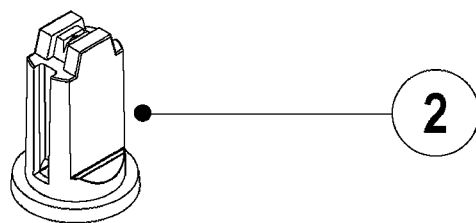
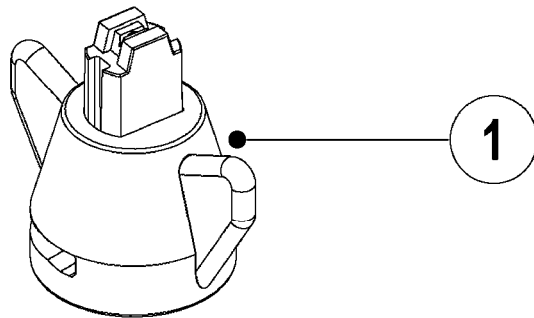


BOOM-NOZZLES INJET
D1040-HIN, 01:01:16

Page 1

Date 07.02.2020 8:02

Pos.	parts-n°	order qty	description
1	334083	1	SNAP-FIT NOZZLE HOLDER SS BLCK
2	371872	1	NOZZLE INJET 015 GREEN SINGLE
2	371873	1	NOZZLE INJET 02 YELLOW SINGLE
2	371874	1	NOZZLE INJET 025 LILAC SINGLE
2	371875	1	NOZZLE INJET 03 BLUE SINGLE
2	371876	1	NOZZLE INJET 04 RED SINGLE
2	371926	1	NOZZLE INJET 01 ORANGE SINGLE
2	371927	1	NOZZLE INJET 05 BROWN SINGLE
2	371928	1	NOZZLE INJET 06 GREY SINGLE
2	371929	1	NOZZLE INJET 08 WHITE SINGLE
3	371870	1	NOZZLE B-JET 03 BLUE
3	371871	1	NOZZLE B-JET 04 RED
3	371877	1	NOZZLE B-JET 025 LILAC
3	371930	1	NOZZLE B-JET 02 YELLOW



D1050

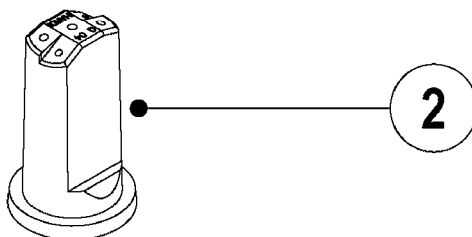
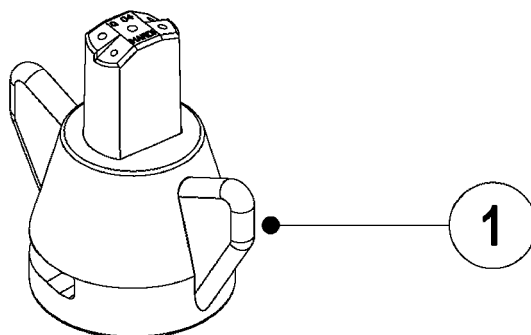


BOOM-NOZZLES MINIDRIFT
D1050-HIN, 01:01:16

Page 1

Date 07.02.2020 8:02

Pos.	parts-n°	order qty	description
1	372121	1	NOZZLE ISO CT MD-015-110 GREEN
1	372122	1	NOZZLE ISO CT MD-02-110 YELLOW
1	372123	1	NOZZLE ISO CT MD-025-110 LILAC
1	372124	1	NOZZLE ISO CT MD-03-110 BLUE
1	372125	1	NOZZLE ISO CT MD-04-110 RED
1	372126	1	NOZZLE ISO CT MD-05-110 BROWN
2	372111	1	NOZZLE ISO MD-015-110 GREEN
2	372112	1	NOZZLE ISO MD-02-110 YELLOW
2	372113	1	NOZZLE ISO MD-025-110 LILAC
2	372114	1	NOZZLE ISO MD-03-110 BLUE
2	372115	1	NOZZLE ISO MD-04-110 RED
2	372116	1	NOZZLE ISO MD-05-110 BROWN



D1060

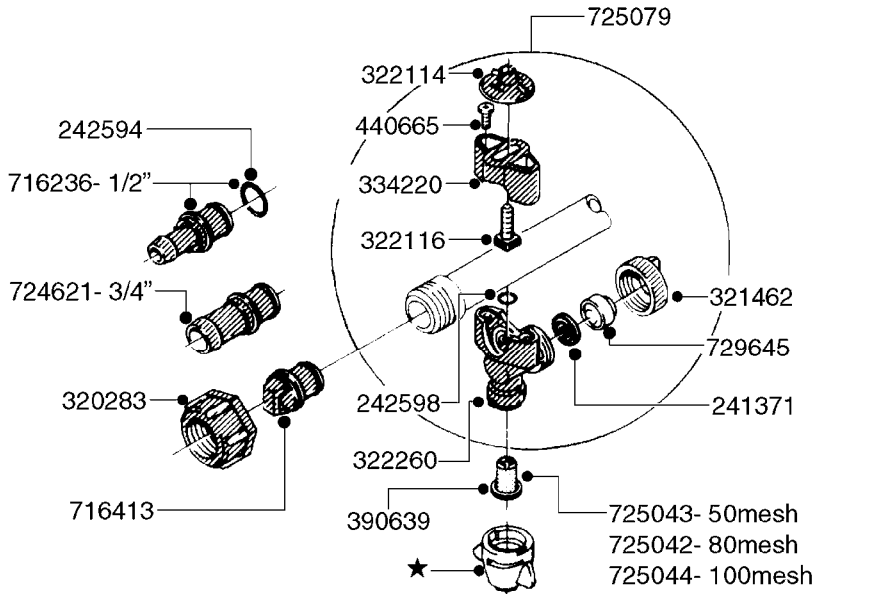


BOOM-NOZZLES QUINTASTREAM
D1060-HIN, 01:01:16

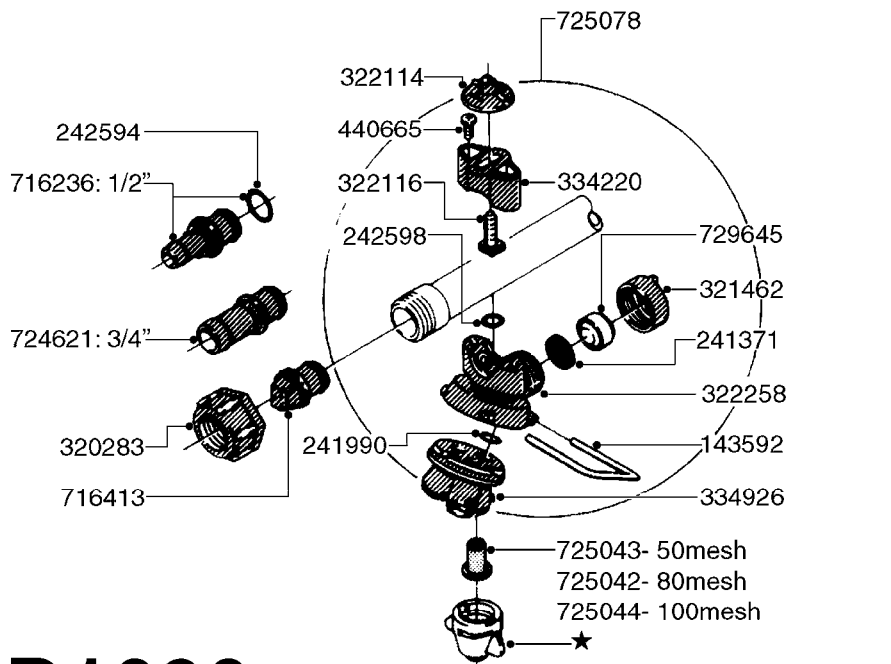
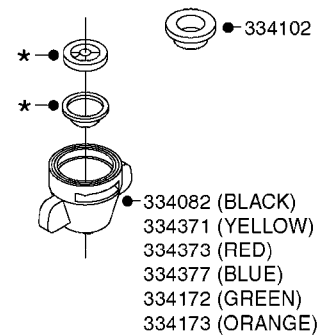
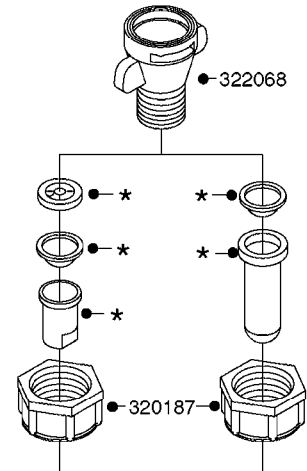
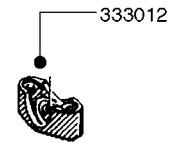
Page 1

Date 07.02.2020 8:02

Pos.	parts-n°	order qty	description
1	372011	1	NOZZLE ISO QS-015-5H GREEN
1	372012	1	NOZZLE ISO QS-02-5H YELLOW
1	372013	1	NOZZLE ISO QS-03-5H BLUE
1	372014	1	NOZZLE ISO QS-04-5H RED
1	372015	1	NOZZLE ISO QS-05-5H BROWN
1	372016	1	NOZZLE ISO QS-06-5H GREY
1	372017	1	NOZZLE ISO QS-08-5H WHITE
1	372018	1	NOZZLE ISO QS-10-5H LT. BLUE
1	372019	1	NOZZLE ISO QS-15-5H LT. GREEN
2	372002	1	ISO QNTSTRM 015 S-GREEN
2	372003	1	ISO QNTSTRM 02 S-YELLOW
2	372004	1	ISO QNTSTRM 03 S-BLUE
2	372005	1	ISO QNTSTRM 04 S-RED
2	372006	1	ISO QNTSTRM 05 S-BROWN
2	372007	1	ISO QNTSTRM 06 S-GREY
2	372008	1	ISO QNTSTRM 08 S-WHITE
2	372009	1	ISO QNTSTRM 10 S-LT.BLU
2	372010	1	ISO QNTSTRM 15 S-LT.GRN



SINGLE NOZZLE BODY



TRIPLET NOZZLE BODY

D1090

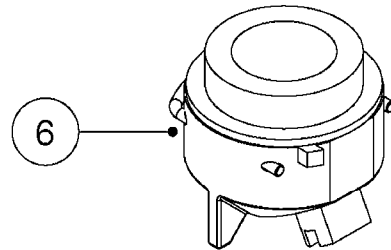
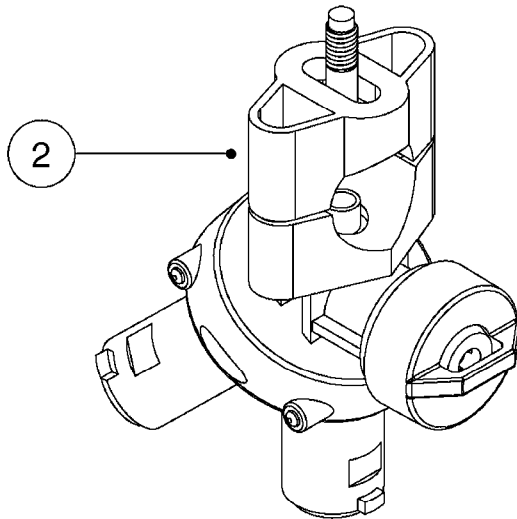
*=REFER TO HARDI NOZZLE CATALOG



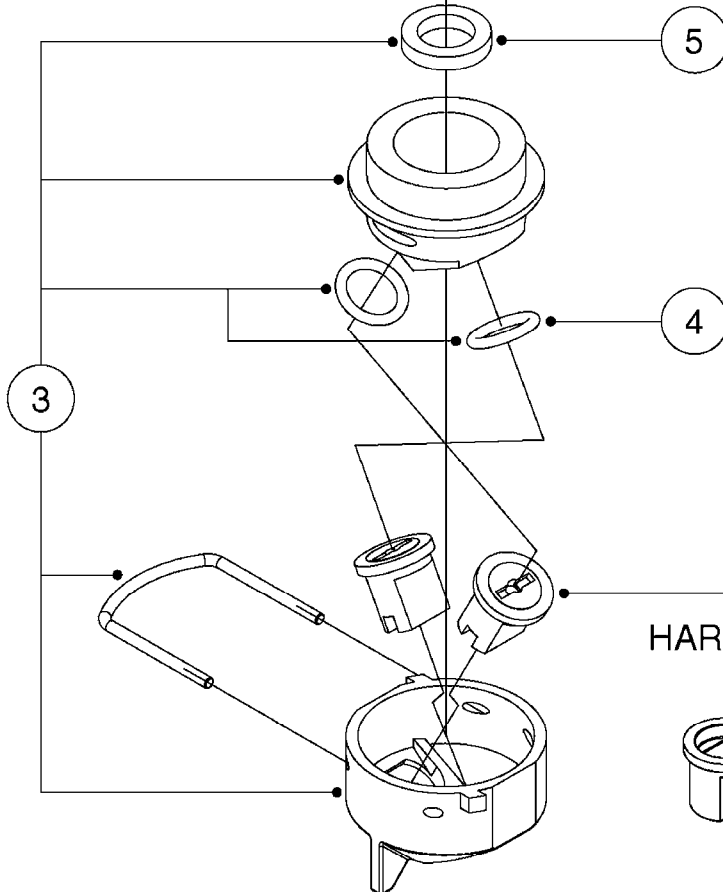
NOZZLE BODIES-SNAP FIT
D1090-HIN, 01:01:16

Page 1
Date 07.02.2020 8:02

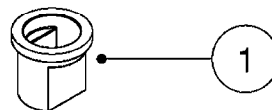
parts-n°	order qty	description
143592	1	LOCK CLAMP FOR TRIPLET
241371	1	DIAPHRAGM F.NO-DRIP,VULC
241990	1	O-RING D9.3 X 2.4 VITON
242594	1	O-RING D14 X 1.78 SCH.70-EPDM
242598	1	O-RING D7.0 X 2.5 NITRIL
320187	1	FITT.DK CAP 3/8" BSP BLACK
320283	1	FITT.DK NUT 3/4"BSP
321462	1	CAP F.NO-DRIP ASSY.
322068	1	SNAP-FIT ADAPTER THREAD. HARDI
322114	1	NUT PLASTIC F.NOZZ.H
322116	1	BOLT PLASTIC F.NOZZ.H.
322258	1	HOUSING F.TRIPLET
322260	1	NOZZLE HOLDER LOWER PART
333012	1	NOZZLE HOLD. UPPER PART
334082	1	SNAP-FIT NOZZ.HOLD.CONE BLACK
334102	1	BLANK F.NOZZLE
334172	1	SNAP-FIT NOZZ.HOLD.CONE GREEN
334173	1	SNAP-FIT NOZZ.HOLD.CONE ORANGE
334220	1	YOKE, UPPER NOZZLE BODY
334371	1	SNAP-FIT NOZZLE HOLDER YELLOW
334373	1	SNAP-FIT NOZZLE HOLDER RED
334377	1	SNAP-FIT NOZZLE HOLDER BLUE
334926	1	SNAP-FIT TURN PLATE F TRIPLET
390639	1	O-RING F.NOZZLE FILTER
440665	1	SCREW M4.2X16 STAINLESS
716236	1	FITT.DK HB 1/2" ASSY. F. 3/4"
716413	1	FITT.DK PLUG ASSY. F.NOZ TUBE
724621	1	FITT.DK HB 3/4"ASSY F.3/4" NUT
725042	1	SCREEN 80 MESH W.GASKET, RED
725043	1	SCREEN 50 MESH W.GASKET,BLUE
725044	1	SCREEN 100 MESH W.GASKET,YELLO
725078	1	SNAP-FIT TRIPLET W/O NOZZ HOLD
725079	1	NOZZLE ASSY.SING.SNAP-FIT GREN
729645	1	NON-DRIP SPRING ASSY.GREEN 10



COMPLETE ASSEMBLY
WITH NOZZLES



REFER TO
HARDI® NOZZLE CATALOG



D1100

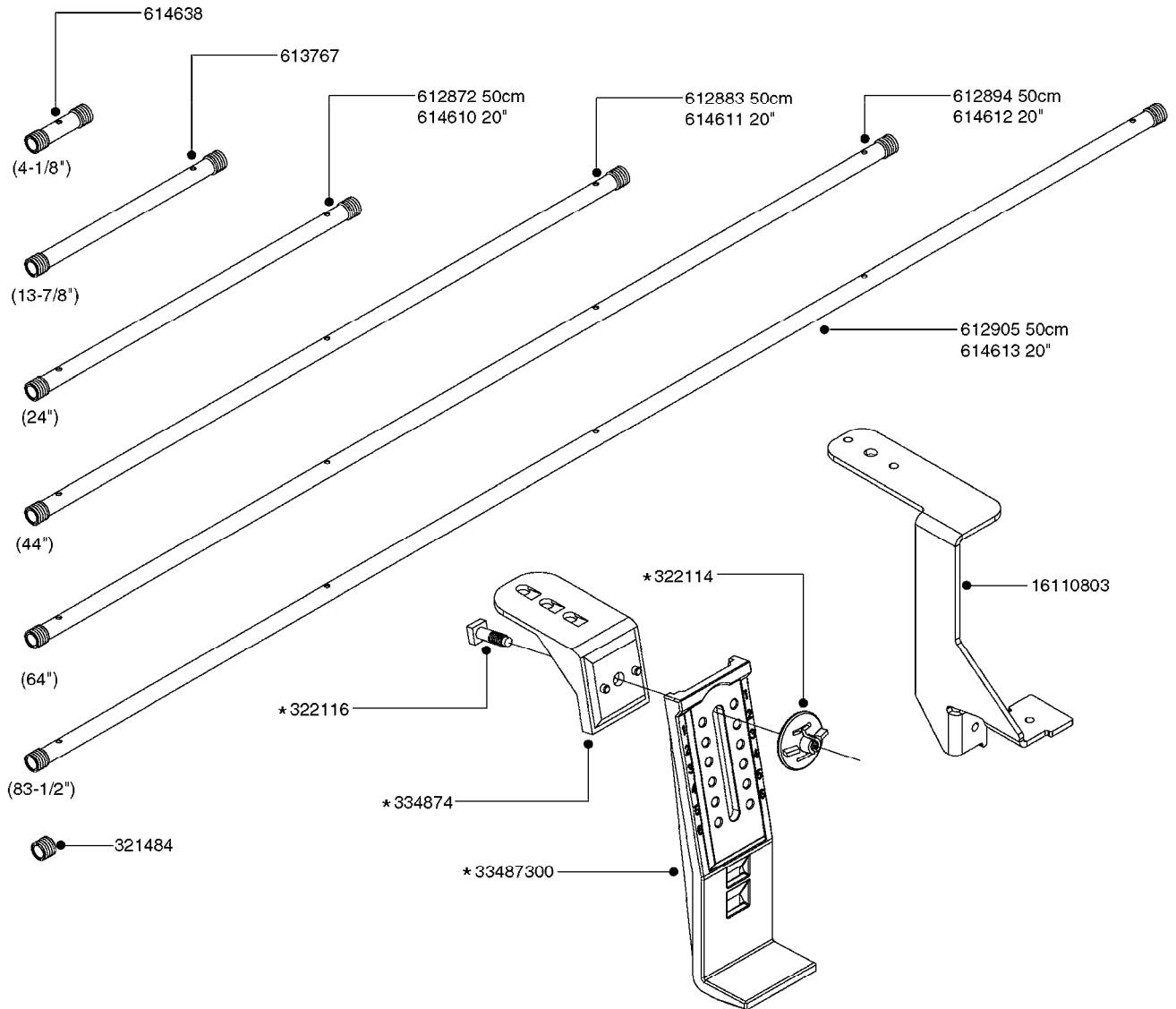


DOUBLE NOZZLE HOLDER-SNAP FIT
D1100-HIN, 01:01:16

Page 1

Date 07.02.2020 8:02

Pos.	parts-n°	order qty	description
1	372140	1	HARDI ISO BLIND CAP
2	725078	1	SNAP-FIT TRIPLET W/O NOZZ HOLD
3	28032503	1	DOUBLE NOZZLE HOLDER LD ISO
4	28040103	1	O-RING F.DOUBLE NOZZLE HOLDER
5	28089103	1	GASKET F.DOUBLE NOZZLE HOLDER
6	70056803	1	DOUBLE NOZZLE CAP ORANGE LD 01
6	70056903	1	DOUBLE NOZZLE CAP GREEN LD 015
6	70057003	1	DOUBLE NOZZLE CAP YELLOW LD 02
6	70057103	1	DOUBLE NOZZLE CAP LILAC LD 025
6	70057203	1	DOUBLE NOZZLE CAP BLUE LD 03
6	70057303	1	DOUBLE NOZZLE CAP RED LD 04
6	70057403	1	DOUBLE NOZZLE CAP BROWN LD 05



*74009003 - BAG OF 5 COMPLETE
*74008903 - BAG OF 10 COMPLETE

	STAINLESS CLAMPS AND INSULATOR	
	100X60MM - 74008203 BAG OF 10	
	80X60MM - 74008303 BAG OF 10	80X60MM - 74008403 BAG OF 5
	50X50MM - 74008503 BAG OF 10	50X50MM - 74008603 BAG OF 5
	50X30MM - 74008703 BAG OF 10	50X30MM - 74008803 BAG OF 5

BLANK TUBES:
614647 - 23-3/4"
614648 - 43-1/4"
614649 - 63"
614650 - 82-1/2"

D1110



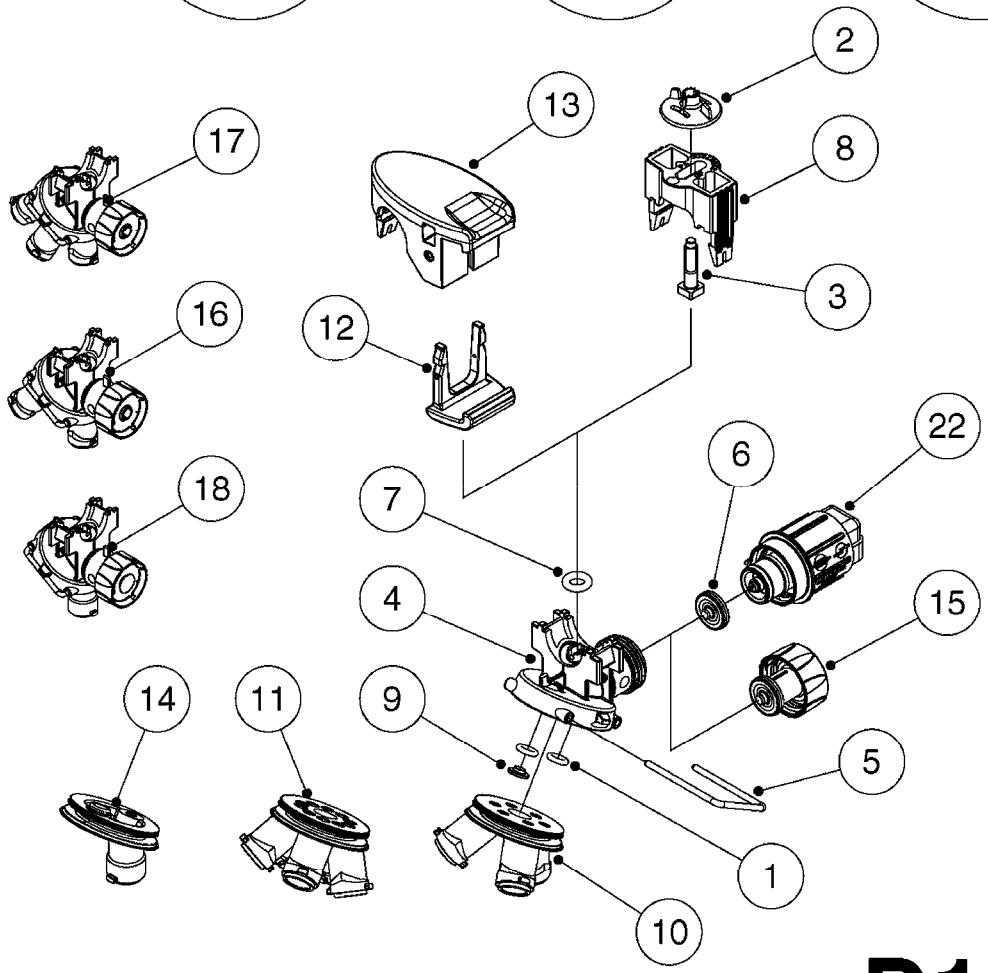
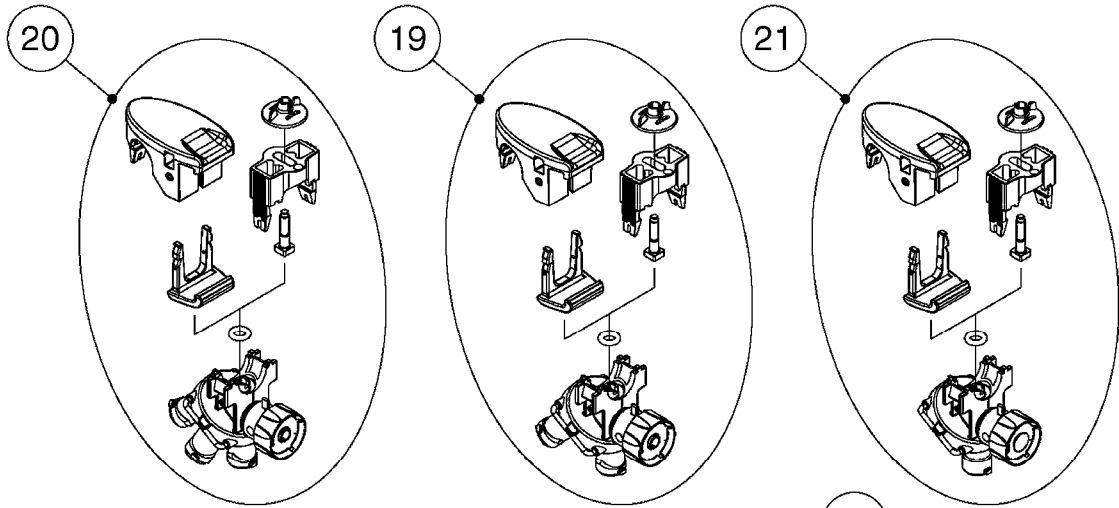
NOZZLE TUBES & HOLDER-PLASTIC
D1110-HIN, 08:04:19

Page 1
Date 07.02.2020 8:02

parts-n°	order qty	description
321484	1	BUSHING THREADED F.NOZZ.TUBE
322114	1	NUT PLASTIC F.NOZZ.H
322116	1	BOLT PLASTIC F.NOZZ.H.
334874	1	NOZZLE HOLDER - TOP HALF
612872	1	NOZZLE TUBE 2 HOLE L-24"/50CM
612883	1	NOZZLE TUBE 3 HOLE L-44"/50CM
612894	1	NOZZLE TUBE 4 HOLE L-64"/50CM
612905	1	NOZZLE TUBE 5 HOLE L-83.5"/50C
613767	1	NOZZLE TUBE 1 HOLE L-13.875"
614610	1	NOZZLE TUBE 2 HOLE L-24"/SP20"
614611	1	NOZZLE TUBE 3 HOLE L-44"/SP20"
614612	1	NOZZLE TUBE 4 HOLE L-64"/SP20"
614613	1	NOZZLE TUBE 5 HOLE L-83.5"/20"
614638	1	NOZZLE TUBE 1 HOLE L-4.125"
614647	1	NOZZLE TUBE L=600mm NO HOLES
614648	1	NOZZLE TUBE L=1100mm NO HOLES
614649	1	NOZZLE TUBE L=1600mm NO HOLES
614650	1	NOZZLE TUBE L=2100mm NO HOLES
16110803	1	NOZZLE BRACKET VAR SPACINGS
33487300	1	NOZZLE HOLDER - BOTTOM HALF
74008203	1	CLAMP & INSULATOR 100X60 (QTY.10)
74008303	1	CLAMP & INSULATOR 80X60 MM (QTY.10)
74008403	1	CLAMP & INSULATOR 80X60 MM (QTY.5)
74008503	1	CLAMP & INSULATOR 50X50 MM (QTY.10)
74008603	1	CLAMP & INSULATOR 50X50 MM (QTY.5)
74008703	1	CLAMP & INSULATOR 30X50 MM (QTY.10)
74008803	1	CLAMP & INSULATOR 30X50 MM (QTY.5)
74008903	1	NOZZLE HOLDER COMPLETE (QTY.10)
74009003	1	NOZZLE HOLDER COMPLETE (QTY.5)



NOZZLE BODIES - T25
D1130-HIN, 05:04:18



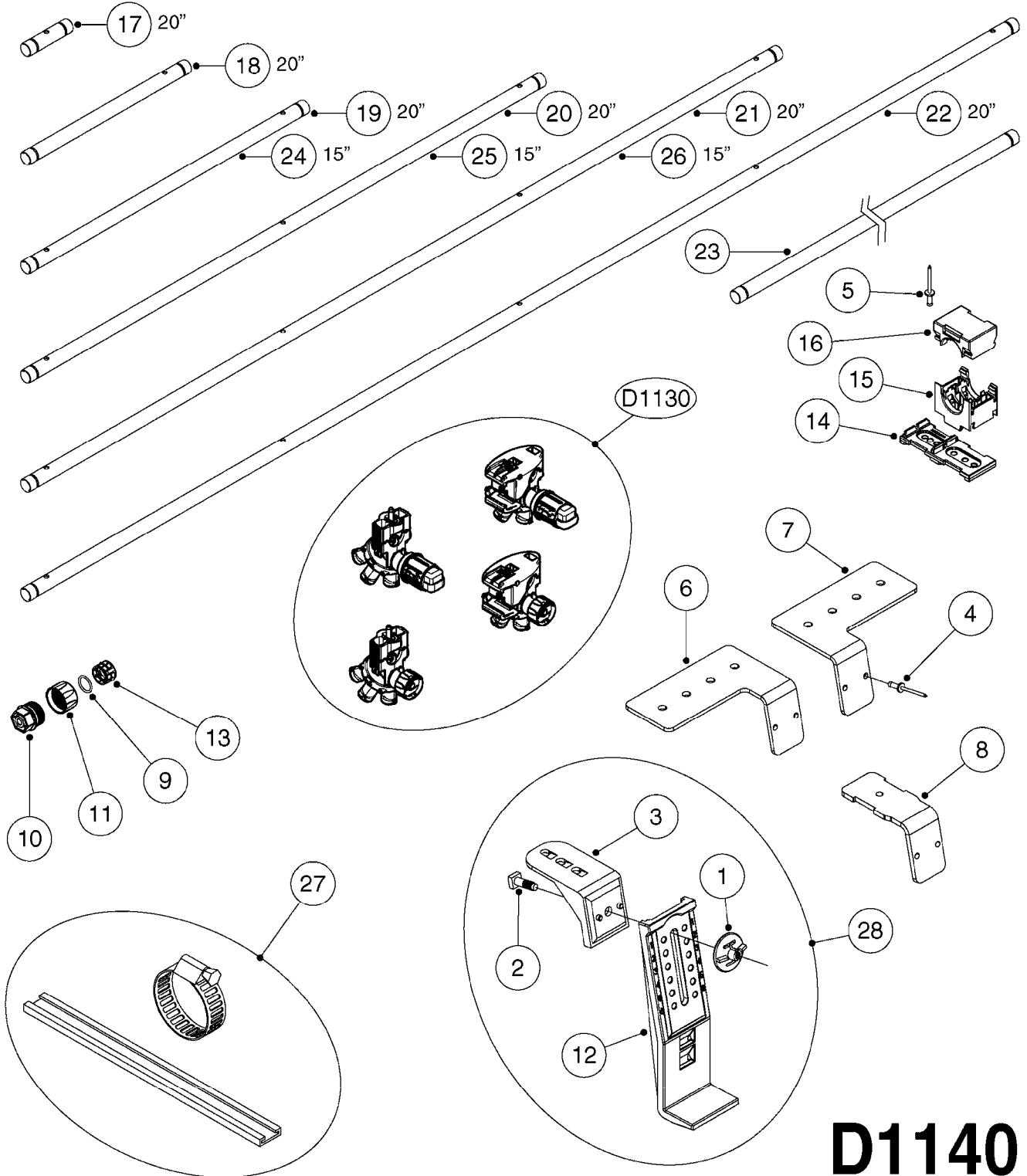
D1130



NOZZLE BODIES - T25
D1130-HIN, 05:04:18

Page 1
Date 07.02.2020 8:02

Pos.	parts-n°	order qty	description
1	242431	1	O-RING 6.3X2.4 VITON
2	322114	1	NUT PLASTIC F.NOZZ.H
3	322116	1	BOLT PLASTIC F.NOZZ.H.
3	45002100	1	SCREW M6X20 W.SQ.HEAD SS
4	322365	1	HOUSING F.Ø25 TUBE TRIP/PENT
5	14046100	1	CLAMP Ø3/38 L=51 TRIP/PENT T25
6	24261400	1	MEMBRANE F.NON-DRIP Ø19.8 BLACK EPDM
6	24265500	1	NON DRIP MEMBRANE Ø19,8 FPM/VITON BROWN 60A
7	24262800	1	O-RING Ø10.69 X 3.53 NITRIL
8	33507600	1	TOP,NOZZLE HOLDER T25,BOLT-ON
9	33517000	1	STOP F. ROTARY PLATE TRIP/PENT
10	33517100	1	ROTARY PLATE F. TRIPLET T25
11	33517200	1	ROTARY PLATE F. PENTALET T25
12	33520200	1	LOCK F. T25 BRACKET
13	33520300	1	TOP PLATE T25 NOZZLE '12 30x10
14	33526600	1	SINGLE NOZZLE PLATE, T25
15	72622200	1	NON-DRIP, 1-BAR TRIP/PENT T25 INCLUDES MEMBRANE (24261400)
16	72686400	1	TRIPLET Ø25 NON DRIP LOWER
17	72686500	1	PENTALET Ø25 NON DRIP LOWER
18	73376100	1	SINGLE Ø25 NON DRIP LOWER
19	75001403	1	NOZZLE BODY KIT, T25, TRIPLET
20	75001503	1	NOZZLE BODY KIT, T25, PENTALET
21	75001603	1	NOZZLE BODY KIT, T25, SINGLE
22	75085300	1	ACTUATOR PF '11 (SPARE PART)

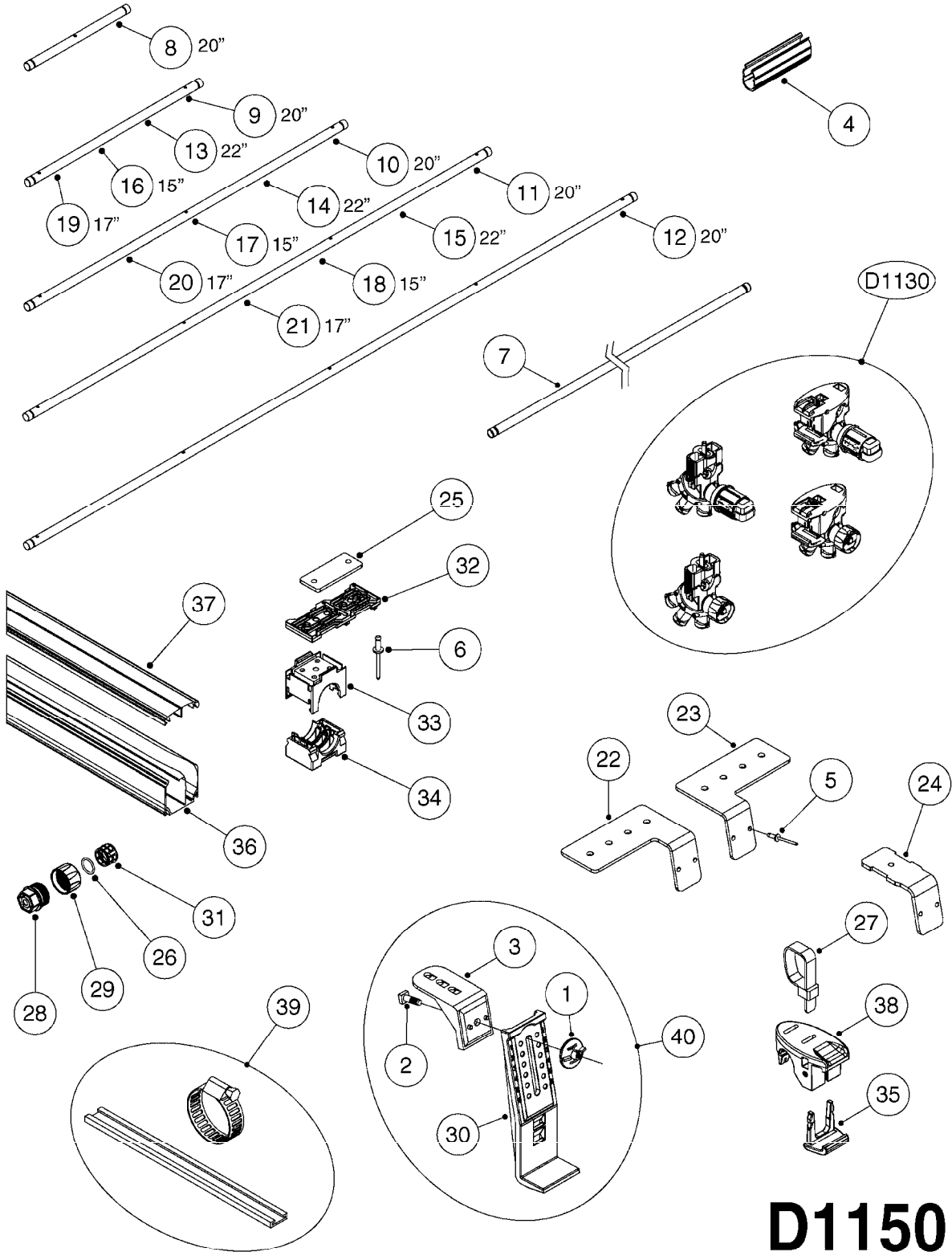


D1140



NOZZLE TUBES - PLASTIC T25
D1140-HIN, 29:11:17

Pos.	parts-n°	order qty	description
1	322114	1	NUT PLASTIC F.NOZZ.H
2	322116	1	BOLT PLASTIC F.NOZZ.H.
3	334874	1	NOZZLE HOLDER - TOP HALF
4	480783	1	RIVET Ø4x14, GR 7.9-9.5 ALUM
5	480804	1	RIVET Ø4.8x14.5
6	16162503	1	BRACKET,NOZZLE OFFSET,R,BLACK
7	16163003	1	BRACKET,NOZZLE OFFSET,L,BLACK
8	16380800	1	BRACKET, NOZZLE DUMMY, T25
9	24263000	1	O-RING Ø24.4 X 3.1 NITRIL SH70
10	32239300	1	FITT.DK CAP T25
11	32239700	1	FITT.DK NUT T25
12	33487300	1	NOZZLE HOLDER - BOTTOM HALF
13	33515500	1	FITT.DK NUT LOCK RING T25
14	33517900	1	SOCKET F. PIPE HOLDER
15	33518000	1	PIPE HOLDER BETWEEN Ø25
16	33518100	1	PIPE HOLDER TOP Ø25
17	34141700	1	NOZ.TUBE-PP, T25 X 200, 1-HOLE
18	34141800	1	NOZ.TUBE-PP, T25 X 374, 1-HOLE
19	34141900	1	NOZ.TUBE-PP, T25 X 628, 2-20"
20	34142000	1	NOZ.TUBE-PP, T25 X 1136, 3-20"
21	34142100	1	NOZ.TUBE-PP, T25 X 1644, 4-20"
22	34142200	1	NOZ.TUBE-PP, T25 X 2152, 5-20"
23	34144800	1	FEED TUBE-PP, T25 X 1020
23	34145400	1	FEED TUBE-PP, T25 X 1270
23	34145500	1	FEED TUBE-PP, T25 X 1320
23	34145600	1	FEED TUBE-PP, T25 X 1370
23	34146900	1	FEED TUBE-PP, T25 X 1970
23	34148000	1	FEED TUBE-PP, T25 X 2470
23	34148200	1	FEED TUBE-PP, T25 X 2570
23	34148300	1	FEED TUBE-PP, T25 X 2620
23	34148800	1	FEED TUBE-PP, T25 X 2820
23	34149600	1	FEED TUBE-PP, T25 X 3170
23	34150400	1	FEED TUBE-PP, T25 X 3570
23	34150700	1	FEED TUBE-PP, T25 X 3670
23	34150800	1	FEED TUBE-PP, T25 X 3720
23	34152500	1	FEED TUBE-PP, T25 X 4520
24	34158600	1	NOZ.TUBE-PP, T25 X 501, 2-15"
25	34158700	1	NOZ.TUBE-PP, T25 X 882, 3-15"
26	34158800	1	NOZ.TUBE-PP, T25 X 1283, 4-15"
27	74008203	1	CLAMP & INSULATOR 100X60 (QTY.10)
27	74008303	1	CLAMP & INSULATOR 80X60 MM (QTY.10)
27	74008403	1	CLAMP & INSULATOR 80X60 MM (QTY.5)
27	74008503	1	CLAMP & INSULATOR 50X50 MM (QTY.10)
27	74008603	1	CLAMP & INSULATOR 50X50 MM (QTY.5)
27	74008703	1	CLAMP & INSULATOR 30X50 MM (QTY.10)
27	74008803	1	CLAMP & INSULATOR 30X50 MM (QTY.5)
28	74008903	1	NOZZLE HOLDER COMPLETE (QTY.10)
28	74009003	1	NOZZLE HOLDER COMPLETE (QTY.5)





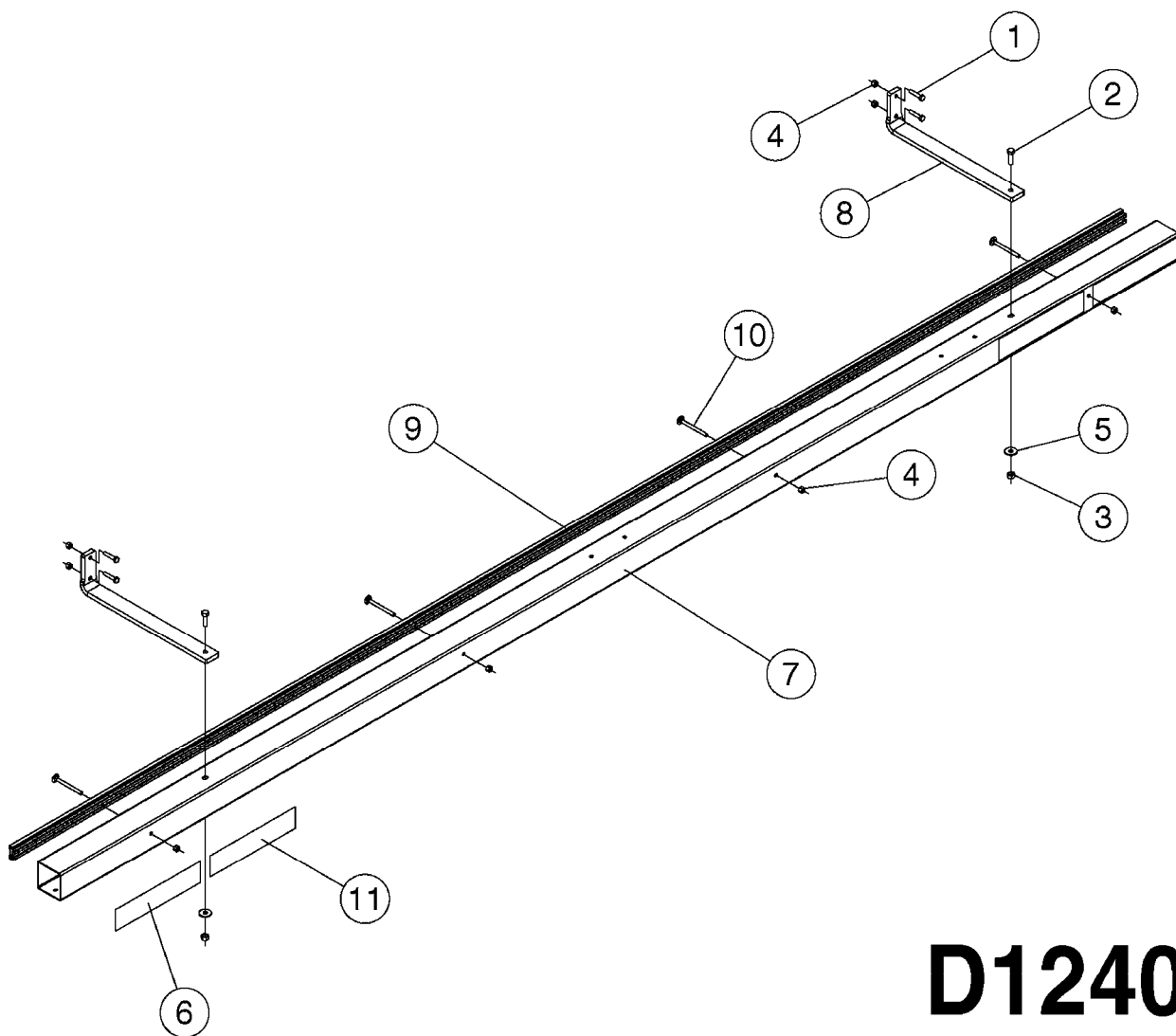
Pos.	parts-n°	order qty	description
1	322114	1	NUT PLASTIC F.NOZZ.H
2	322116	1	BOLT PLASTIC F.NOZZ.H.
3	334874	1	NOZZLE HOLDER - TOP HALF
4	341341	1	CABLE HOLDER 250MM
4	341342	1	CABLE HOLDER 375MM
5	480783	1	RIVET Ø4x14, GR 7.9-9.5 ALUM
6	480804	1	RIVET Ø4.8x14.5
7	15149200	1	FEED TUBE-SS, T25 X 1020
7	15149300	1	FEED TUBE-SS, T25 X 1220
7	15149400	1	FEED TUBE-SS, T25 X 2270
7	15149500	1	FEED TUBE-SS, T25 X 2820
7	15149600	1	FEED TUBE-SS, T25 X 3670
7	15149700	1	FEED TUBE-SS, T25 X 4520
7	15149800	1	FEED TUBE-SS, T25 X 2620
7	15149900	1	FEED TUBE-SS, T25 X 3120
7	15154800	1	FEED TUBE-SS, T25 X 3770
7	15154900	1	FEED TUBE-SS, T25 X 1970
7	15155000	1	FEED TUBE-SS, T25 X 2770
7	15155100	1	FEED TUBE-SS, T25 X 3170
7	15155200	1	FEED TUBE-SS, T25 X 3820
7	15155300	1	FEED TUBE-SS, T25 X 5420
7	15155400	1	FEED TUBE-SS, T25 X 4070
7	15155500	1	FEED TUBE-SS, T25 X 4920
7	15180000	1	FEED TUBE-SS, T25 X 4720
7	15180100	1	FEED TUBE-SS, T25 X 3370
8	15155900	1	NOZ.TUBE-SS, T25 X 374, 1-HOLE
9	15156000	1	NOZ.TUBE-SS, T25 X 628, 2-20"
10	15156100	1	NOZ.TUBE-SS, T25 X 1136, 3-20"
11	15156200	1	NOZ.TUBE-SS, T25 X 1644, 4-20"
12	15156300	1	NOZ.TUBE-SS, T25 X 2152, 5-20"
13	15173800	1	NOZ.TUBE-SS, T25 X 679, 2-22"
14	15173900	1	NOZ.TUBE-SS, T25 X 1238, 3-22"
15	15174000	1	NOZ.TUBE-SS, T25 X 1797, 4-22"
16	15187400	1	NOZ.TUBE-SS, T25 X 501, 2-15"
17	15187500	1	NOZ.TUBE-SS, T25 X 882, 3-15"
18	15187600	1	NOZ.TUBE-SS, T25 X 1263, 4-15"
19	15276200	1	NOZ.TUBE-SS, T25 X 552, 2-17"
20	15276300	1	NOZ.TUBE-SS, T25 X 984, 3-17"
21	15276400	1	NOZ.TUBE-SS, T25 X 1416, 4-17"
22	16162503	1	BRACKET,NOZZLE OFFSET,R,BLACK
23	16163003	1	BRACKET,NOZZLE OFFSET,L,BLACK
24	16380800	1	BRACKET, NOZZLE DUMMY, T25
25	17015503	1	FLAT BAR, 1/8"X 1", L=60
26	24263000	1	O-RING Ø24.4 X 3.1 NITRIL SH70
27	28025103	1	TIE STRAP L=21" x W=3/8"
28	32239300	1	FITT.DK CAP T25
29	32239700	1	FITT.DK NUT T25
30	33487300	1	NOZZLE HOLDER - BOTTOM HALF
31	33515500	1	FITT.DK NUT LOCK RING T25
32	33517900	1	SOCKET F. PIPE HOLDER
33	33518000	1	PIPE HOLDER BETWEEN Ø25
34	33518100	1	PIPE HOLDER TOP Ø25
35	33520200	1	LOCK F. T25 BRACKET
36	34153800	1	CABLE TRAY EL/HY, L=2855
36	34154100	1	CABLE TRAY EL/HY, L=5400
37	34154200	1	CABLE TRAY COVER, L=2855
37	34154500	1	CABLE TRAY COVER, L=5400
38	39134800	1	NOZZLE TUBE DUMMY BRACKET T25
39	74008203	1	CLAMP & INSULATOR 100X60 (QTY.10)
39	74008303	1	CLAMP & INSULATOR 80X60 MM (QTY.10)
39	74008403	1	CLAMP & INSULATOR 80X60 MM (QTY.5)



NOZZLE TUBES - STNLS STEEL T25
D1150-HIN, 01:03:18

Page 2
Date 07.02.2020 8:02

Pos.	parts-n°	order qty	description
39	74008503	1	CLAMP & INSULATOR 50X50 MM (QTY.10)
39	74008603	1	CLAMP & INSULATOR 50X50 MM (QTY.5)
39	74008703	1	CLAMP & INSULATOR 30X50 MM (QTY.10)
39	74008803	1	CLAMP & INSULATOR 30X50 MM (QTY.5)
40	74008903	1	NOZZLE HOLDER COMPLETE (QTY.10)
40	74009003	1	NOZZLE HOLDER COMPLETE (QTY.5)



D1240

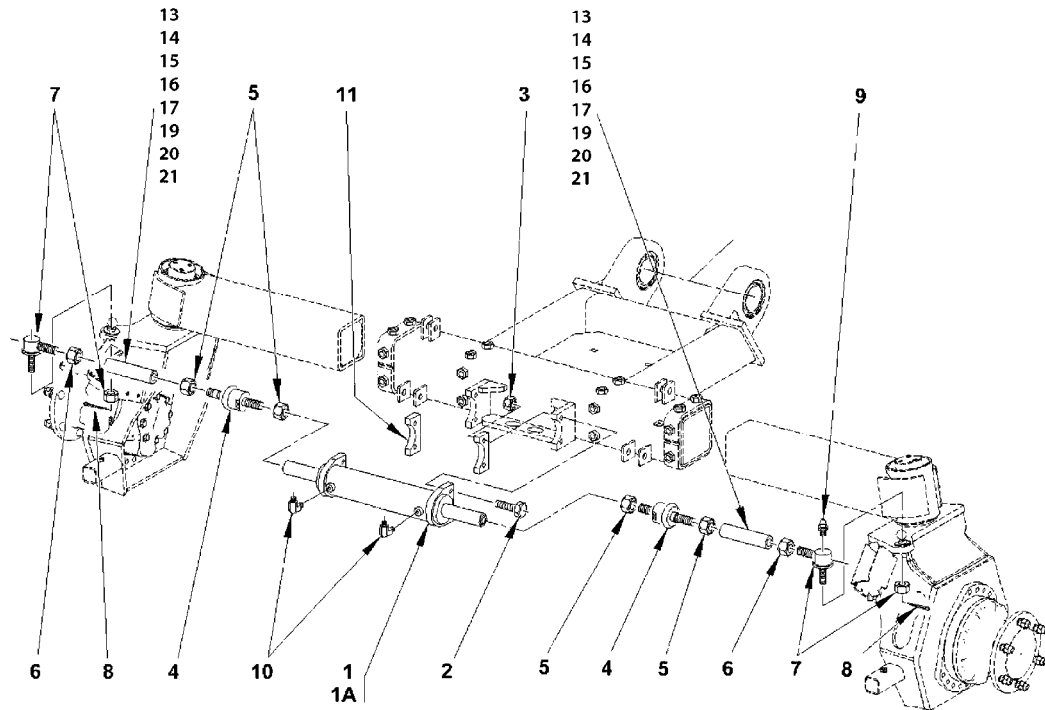


SPC BOOM CENTER TRACK 2017
D1240-HIN, 26:09:19

Page 1

Date 07.02.2020 8:02

Pos.	parts-n°	order qty	description
1	410686	1	BOLT HEX 8.8 DEL M6X30
2	421046	1	BOLT HEX M8X25/25 A2 SS DIN933
3	460143	1	SELF LOCK NUT M8 SST A2 DIN985
4	460261	1	NUT HEX M6X1.00 LOCK DIN985 A2 SS
5	471132	1	WASHER D24/D8.4 X 2 SS
6	10533803	1	DECAL REFLECTIVE RED 50X230
7	15061703	1	CENTER TRACK, SPC, 2017, RED
8	16239603	1	BUMPER MT BRKT, SPC, 2017, RED
9	19489800	1	ALUPROFILE 30X10 L=3.00 M
10	44074700	1	BOLT, CARRIAGE, M6X80 DIN603 SS
11	97619903	1	DECAL FLUORESCENT ORANGE 50X230



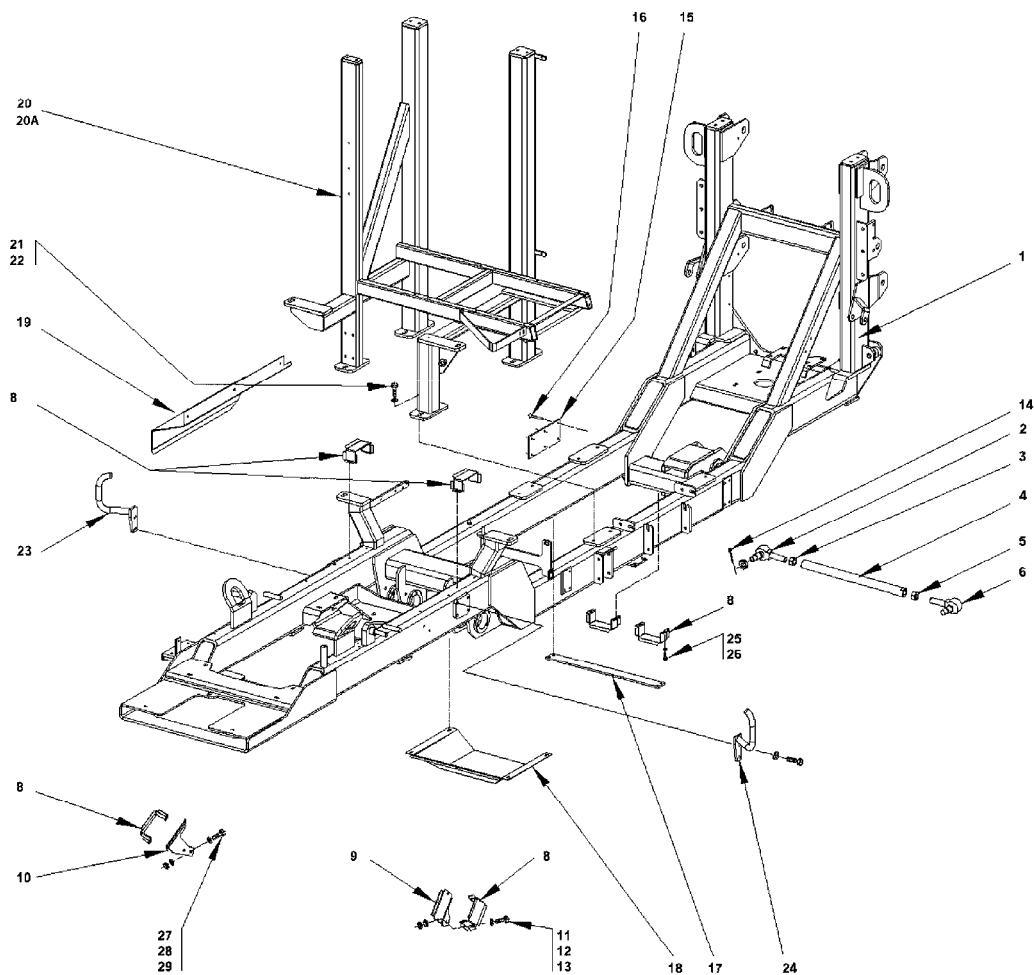
E702-HAU



2 WHEEL STEERING MECH. SYSTEM
E702-HAU, 18:07:17

Page 1
Date 07.02.2020 8:02

Pos.	parts-n°	order qty	description
1	PR-HV0071	1	JACK OF STEERING DE40X80/C2*135
1A	PR-HV4015	1	SEAL KIT CYLINDER DIRECT UTL 3000
2	PR-DB2142014080	1	M14 SOCKET HEAD BOLT L=80 GRADE12.9 ZP
3	PR-DB8422014	1	RING NYLON NUT M14-Zn
4	PR-DA0032	1	TIP JACK TEERING CYLINDER 24x150
5	PR-DB8122024150	1	NUT Hu M24x150 S300-Zn TH=18mm, right thread
6	PR-DB8122024150G	1	NUT Hu M24x150 S300-Zn TH=18mm, left thread
7	PR-DA0007	1	BALL 30 G. M24x150 Cone 22%
8	PR-DL1402040040	1	COTTER PIN 4X 40-Zn
9	PR-DD0122	1	GREASE PLUG BLACK
10	PR-HR0134	1	HYDRAULIC CONNECTION ELBOW MJ1 / 2-MG3
11	PR-FEPR25310-22	1	CYLINDER BLOCK MANAGEMENT PR2540
13	PR-FTPR32026	1	STEERING SHAFT (Unit specific)
14	PR-FTPR32027	1	STEERING SHAFT (Unit specific)
15	PR-FTPR32028	1	STEERING SHAFT (Unit specific)
16	PR-FTPR32029	1	TIE ROD, L=715MM, 120'' TRACK, PRESIDIO
17	PR-FTPR32030	1	STEERING SHAFT (Unit specific)
18	PR-FTPR32031	1	TIE ROD, L=635MM, F.110'' AXLE SPACING, PR
19	PR-FTPR32052	1	STEERING SHAFT (Unit specific)
20	PR-FTPR32053	1	STEERING SHAFT (Unit specific)
21	PR-FTPR32097	1	TIE ROD, L=480MM, F.?'' AXLE SPACING, PR



E703-HAU

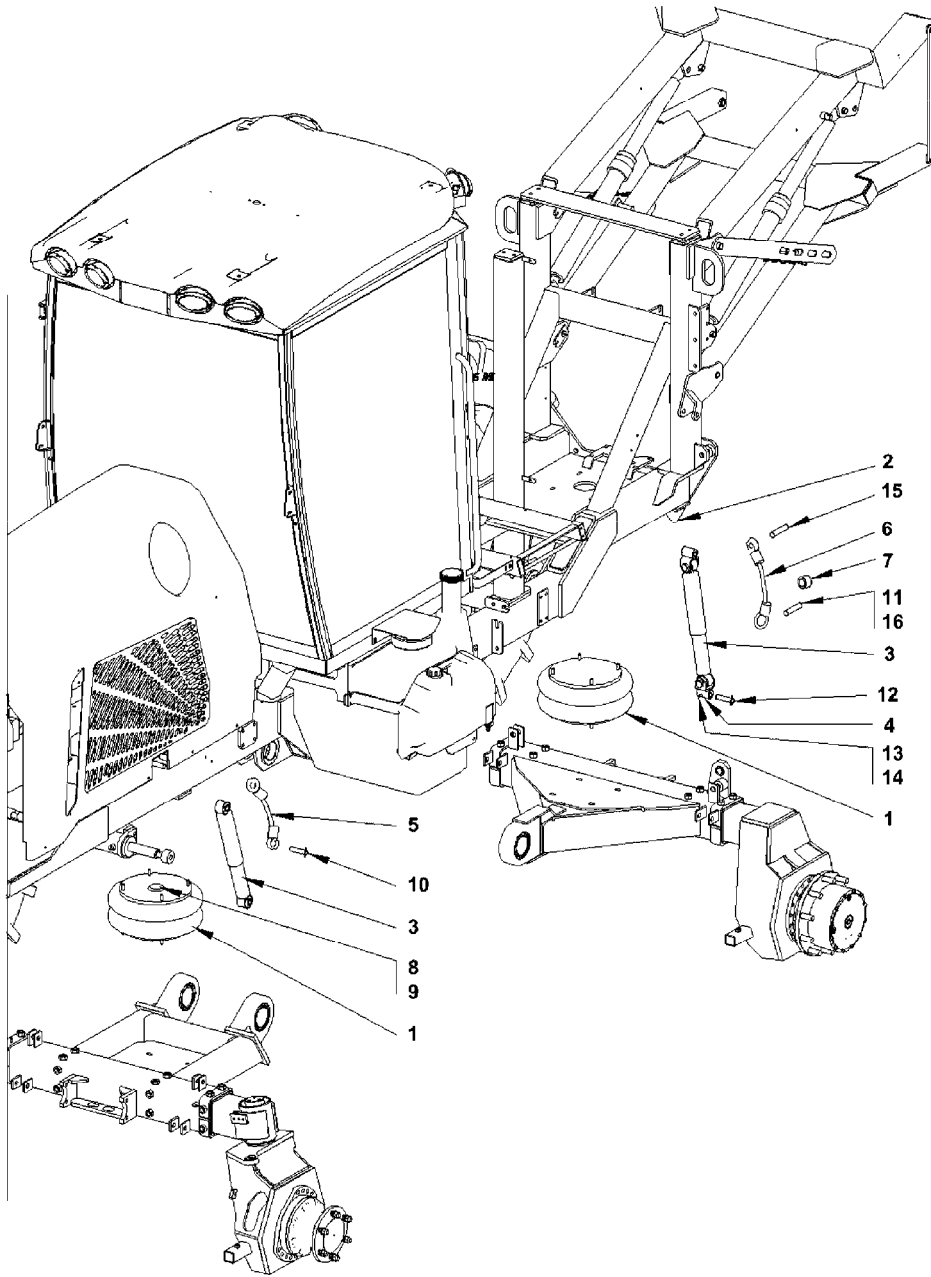


PRESIDIO FRAME TANK SUPPORT
E703-HAU, 11:01:16

Page 1

Date 07.02.2020 8:02

Pos.	parts-n°	order qty	description
1	PR-FEPR25101	1	CHASSIS COMPLETE PR2540 HARDI
2	PR-DA0023	1	TIE ROD END 40, M24x150, CONE 30%
3	PR-DB8122024150	1	NUT Hu M24x150 S300-Zn TH=18mm, right thread
4	PR-FTPR32021	1	TIE ROD, L=570MM, PANHARD ROD, REAR, PRESIDIO
5	PR-DB8122024150G	1	NUT Hu M24x150 S300-Zn TH=18mm, left thread
6	PR-DA0022	1	TIE ROD END 40, M24x150, LEFT THREAD CONE 30%
7	PR-DD0122	1	GREASE PLUG BLACK
8	PR-FEPR32013	1	FLEXIBLE COVER PR3240
9	PR-FEPR32011	1	LEFT HOSE SUPPORT PR3240
10	PR-FEPR32012	1	RIGHT HOSE SUPPORT PR3240
11	PR-DB2044005025	1	SCREW CHC Stainless M 5X 25
12	PR-DS1104005	1	WASHER M 5125-INOX A2
13	PR-DB8444005	1	RING NYLON NUT M 5 INOX
14	PR-DL1402040040	1	COTTER PIN 4X 40-Zn
15	PR-CA9998	1	MOUNT PLATE
16	PR-DB3030	1	RIVET DIAM 4 L16 ALU
17	PR-FEPR25040	1	FLAT FLEXIBLE SUPPORT PR2540
18	PR-FEPR25047	1	CARTER PROTECTION UNDER FRAME
19	PR-FEPR32116	1	PLATE RIGHT CABIN PR3240
20	PR-FEPR25600	1	RINCE TANK FRAME
20A	PR-FEPR25601	1	RINCE TANK FRAME
21	PR-DB1044012030	1	SCREW M12x30 SS
22	PR-DS1504012	1	WASHER DECOL. M12x27x2 0.5-Inox
23	PR-FEPR25070	1	FLEXIBLE DEFLECTOR RIGHT
24	PR-FEPR25071	1	FLEXIBLE DEFLECTOR LEFT
25	PR-DB1044006020	1	HM 6x20 SCREW INOX
26	PR-DS1504006	1	WASHER DECOL. 0.2 M 6x14x1-Inox
27	PR-DB1044010030	1	SCREW M10x30 SS
28	PR-DS1504010	1	WASHER DECOL. M10x22x2-Inox
29	PR-DB8444010	1	STAINLESS STEEL RING NUT NYLON M10



E705-HAU



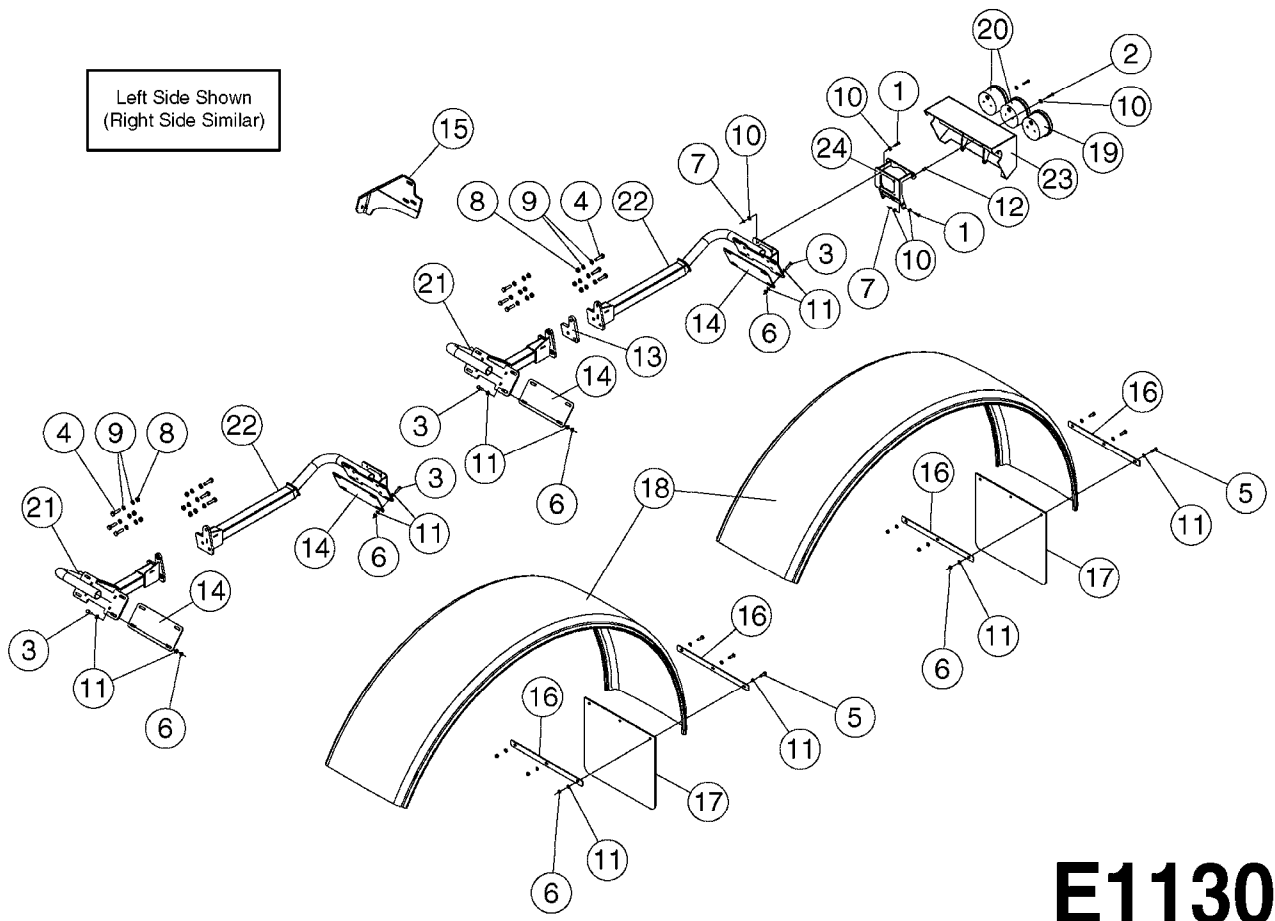
PRESIDIO SUSPENSION
E705-HAU, 11:01:16

Page 1
Date 07.02.2020 8:02

Pos.	parts-n°	order qty	description
1	PR-PX0024	1	BELLOWS 16x2
2	PR-DD0008	1	STOP, RUBBER, CONICAL SHAPE (512951)
3	PR-DD0109	1	SHOCK ABSORBER, PRESIDIO
4	PR-FEPR32007	1	SUPPORT REAR SHOCK
5	PR-DT0027	1	CABLE Ø14 L=450
6	PR-DT0026	1	SLING CABLE 7x19 DIAN 14 FINAL
7	PR-FTPR42010	1	CABLE RING PR4240
8	PR-PR0056	1	TIRE ELBOW FITTING
9	PR-PR0058	1	ADAPTER 1/2 - 1/4 GEF
10	PR-FTPR32041	1	PIN Ø20 L=67MM
11	PR-FTPR32048	1	PIN Ø22, L=116
12	PR-FTPR32038	1	PIN GG Ø20 L=105
13	PR-DG0015	1	GREASE FITTING
14	PR-DD0122	1	GREASE PLUG BLACK
15	PR-FTPR32040	1	PIN GG Ø22 L=87
16	PR-FTPR32039	1	PIN, D22, L74, PRESIDIO



Left Side Shown
(Right Side Similar)



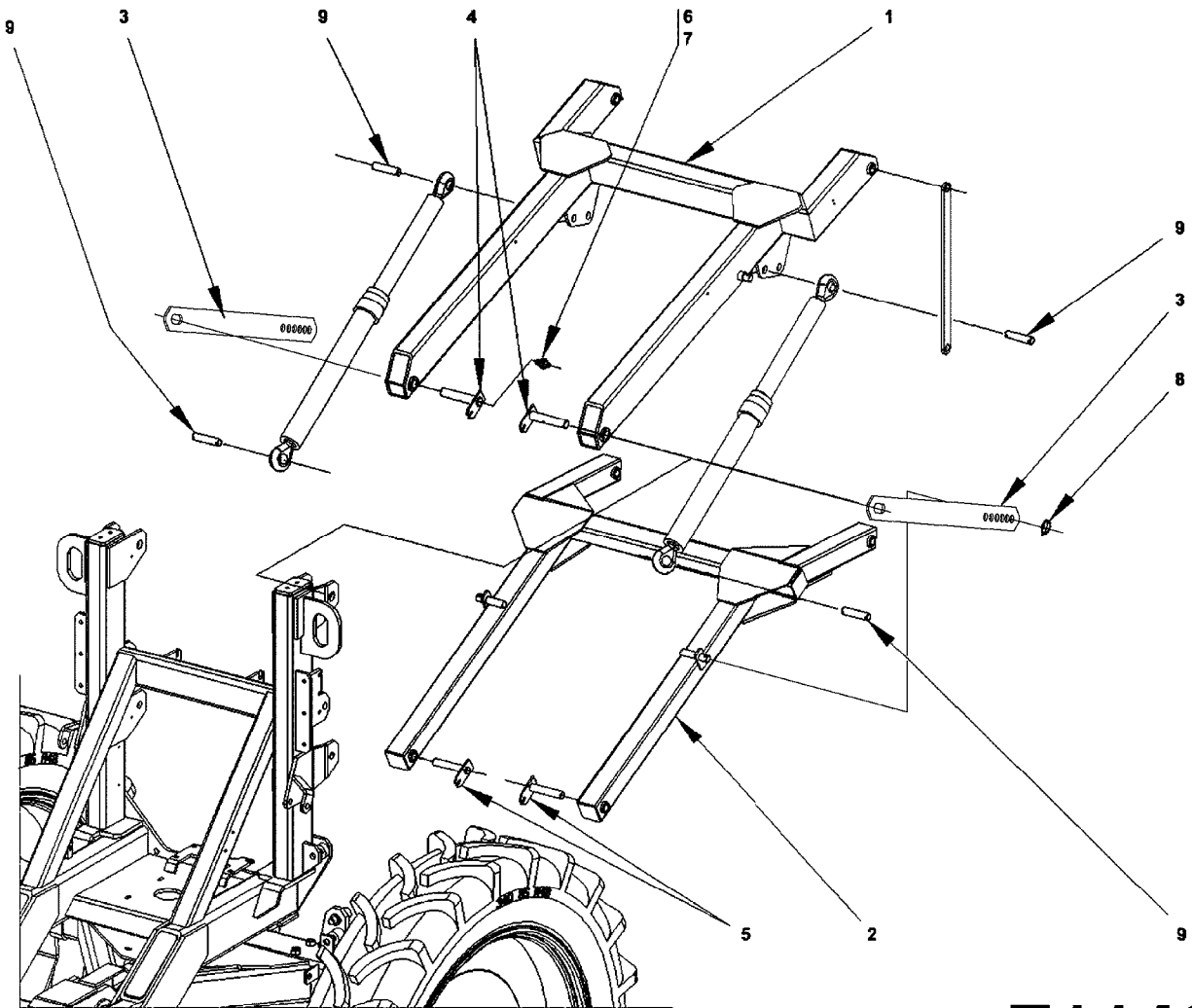
E1130



PRESIDIO MUDGUARDS
E1130-HIN, 22:06:16

Page 1
Date 07.02.2020 8:02

Pos.	parts-n°	order qty	description
1	410362	1	BOLT HEX 8.8 SS M6X20
2	410686	1	BOLT HEX 8.8 DEL M6X30
3	420567	1	BOLT HEX 8.8 DEL M8X30 FT
4	420965	1	M10X40 MACHINE SCREW STAINLESS
5	421046	1	BOLT HEX M8X25/25 A2 SS DIN933
6	460143	1	SELF LOCK NUT M8 SST A2 DIN985
7	460261	1	NUT HEX M6X1.00 LOCK DIN985 A2 SS
8	460423	1	NUT HEX M10X1.50 LOCK DIN985A2 SS
9	471122	1	WASHER, M10, Ø20/10.5X 2.0, SS
10	471124	1	WASHER, M6, Ø18/ 6.4X 1.6, SS
11	471126	1	WASHER, M8, Ø16/ 8.4X 1.6, SS
12	480811	1	BLIND FASTENER M6 STAINLESS
13	16168803	1	PLATE, FLAT, 1/2", 128x104, PR
13	16182503	1	SPACER SPEED SENSOR BRACKET, PR ONLY W/SPEED SENSOR BRACKET
14	16168903	1	PLATE, FLAT, 1/8", 285x120, PR
15	16182303	1	BRACKET, SPEED SENSOR, PR
16	16183003	1	PLATE, MUD FLAP, PR
17	24003403	1	MUDFLAP, 450 WIDE, HARDI
18	24004801	1	MUDGUARD 150° L510
19	26011901	1	REAR TURN SIGNAL, ORANGE LED
20	26012001	1	REAR LIGHT STOP/POSITION RED LED
21	63041103	1	MUDGUARD BRACKET, FRONT LEFT, PR
21	63041203	1	MUDGUARD BRACKET, FRONT RIGHT, PR
22	63041303	1	MUDGUARD BRACKET, REAR LEFT, PR
22	63041403	1	MUDGUARD BRACKET, REAR RIGHT, PR
23	63042303	1	TAIL LIGHT BRACKET, REAR, PR
24	63042403	1	TAIL LIGHT SUPPORT, REAR, PR



E1140

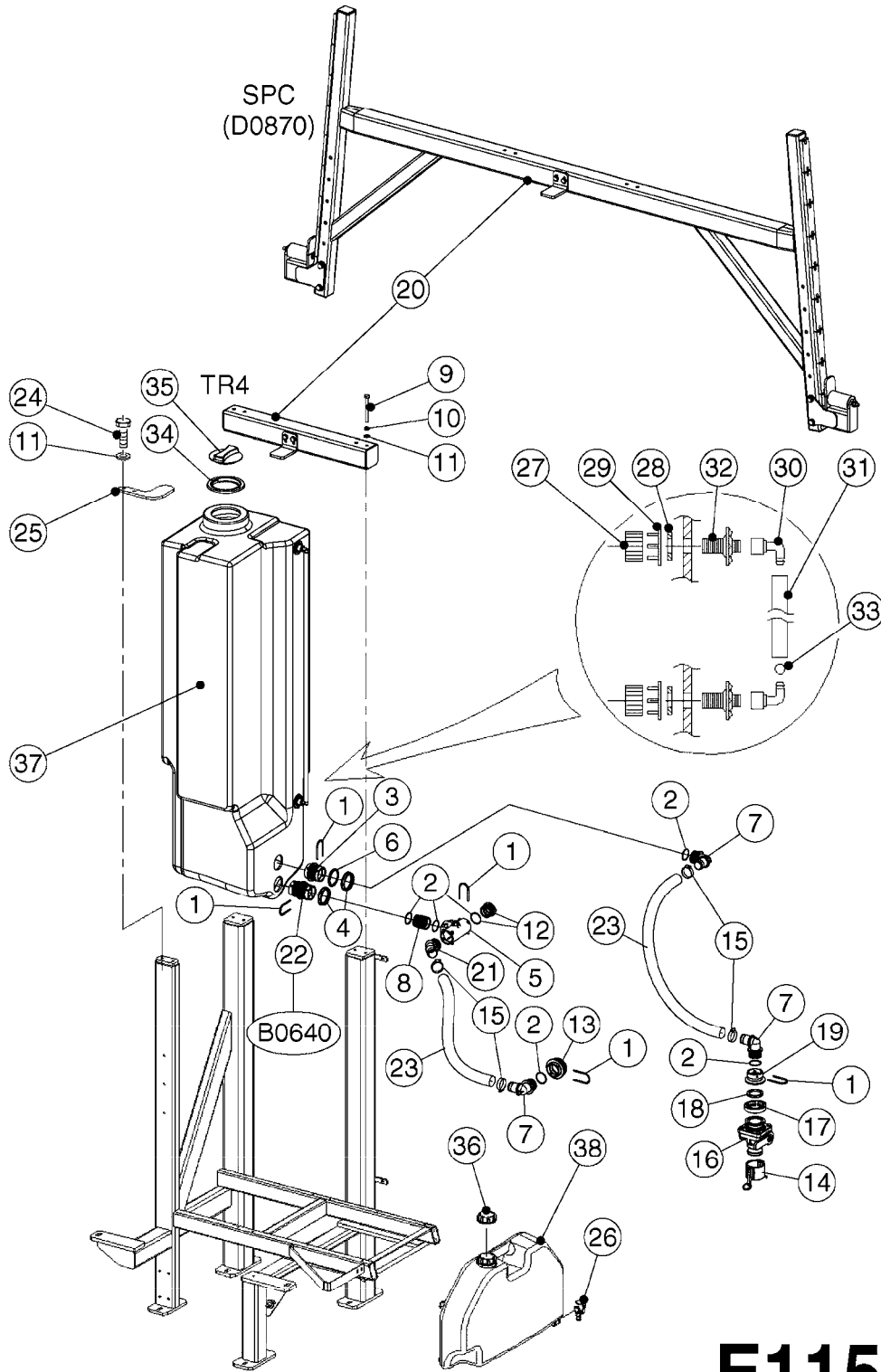


PRESIDIO PARALIFT
E1140-HIN, 23:06:16

Page 1

Date 07.02.2020 8:02

Pos.	parts-n°	order qty	description
1	PR-FEPR25501	1	UPPER PARALIFT ARM PRESIDIO
2	PR-FEPR25511	1	LOWER PARALIFT ARM PRESIDIO
3	16179203	1	TRANSPORT LOCK, PRESIDIO
4	PR-FEPR32002	1	PIN PARALIFT Ø30 PRESIDIO
5	PR-FEPR32003	1	PIN PARALIFT Ø25 PRESIDIO
6	PR-DG0016	1	GREASE ELBOW 90 °
7	PR-DD0122	1	GREASE PLUG BLACK
8	PR-DL1702080040	1	CLIP PIN D8
9	PR-FTPR32042	1	PIN GG Ø25 L=106



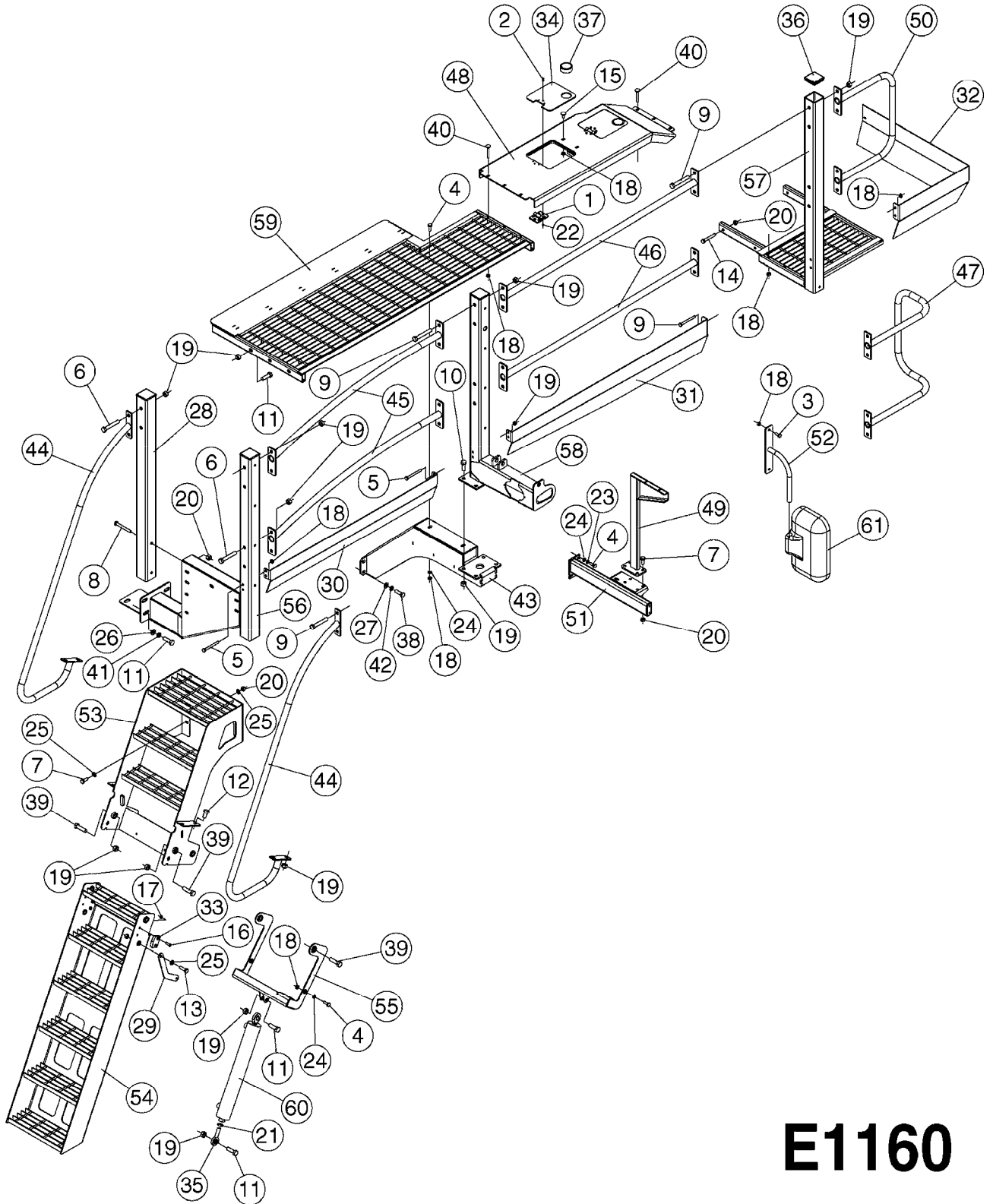
E1150



PRESIDIO RINSE TANK FRAME
E1150-HIN, 01:08:17

Page 1
Date 07.02.2020 8:02

Pos.	parts-n°	order qty	description
1	145996	1	FITT.DK S-67 FORK
2	242353	1	O-RING 3 X 44.2 VITON
3	322104	1	FITT.DK S-67 BULKHEAD
4	322108	1	FITT.DK S-67 BULKHEAD NUT
5	322224	1	FITT.DK S-67 TEE
6	334261	1	GASKET F. S-67 BULKHEAD
7	334445	1	FITT.DK S-67 ELB.1-1/2"
8	334573	1	FITT.DK S-67 CONNECTOR
9	430892	1	BOLT HEX 8.8 DEL M12X110
10	470466	1	WASHER D21.1/D12.2X2.5 LOCK
11	471127	1	WASHER, M12, Ø24/13X24X2.5 SS
12	726579	1	FITT. S67 PLUG W/O-RING
13	728562	1	FITT.DK S-93 TO S67 ADAPTOR
14	10531003	1	CAP F.MALE QUICK COUPLER 2"
15	28030103	1	CLAMP HOSE GEAR P5/4-S1.5"6724
16	28034403	1	BALL VALVE BANJO 2" FLANGE
17	28034503	1	CLAMP F. 2" STD BANJO FLANGE
18	28034603	1	GASKET F. 2" FP BANJO FLANGE
19	39002003	1	FITT S67/2" FP BANJO FLANGE
20	70118103	1	TRANSPORT KIT, PRESIDIO 2700 USED WITH SPC BOOMS
20	70130903	1	TANK LOCK DOWN KIT, PRESIDIO 2700 USED WITH TR4 BOOMS
21	72433200	1	FITT.S67 1-1/2" 45°PVC W/O-RING USED WITH TR4 BOOMS
22	72819200	1	CHECK VALVE S67 2012 THREADED
23	92702603	1	HOSE PVC SUCT GRAY 1-1/2"
24	PR-DB1044012030	1	SCREW M12x30 SS
25	PR-FEPR25032	1	PLATE, LOCK, FRONT FLUSH TANK PR2540
26	PR-SX0034	1	VALVE F.HAND WASH TANK PRESIDIO
27	PR-SX9001	1	TANK FITTING
28	PR-SX9002	1	LOCK
29	PR-SX9004	1	SEAL
30	PR-SX9009	1	ELBOW
31	PR-SX9010	1	HOSE CLEAR
32	PR-SX9011	1	TANK FITTING
33	PR-SX9012	1	INDICATOR BALL
34	PR-SX9205	1	LID HOUSING F.RINSE TANK PRESIDIO
35	PR-SX9206	1	LID F.RINSE TANK PRESIDIO
36	PR-SX9209	1	LID F.HAND WASH TANK PRESIDIO
37	PR-TC0191H	1	RINSE TANK, 70 GAL, PRESIDIO
38	PR-TC0193C	1	HAND WASH TANK YELLOW



E1160



PRESIDIO PLATFORM
E1160-HIN, 10:01:18

Page 1
Date 07.02.2020 8:02

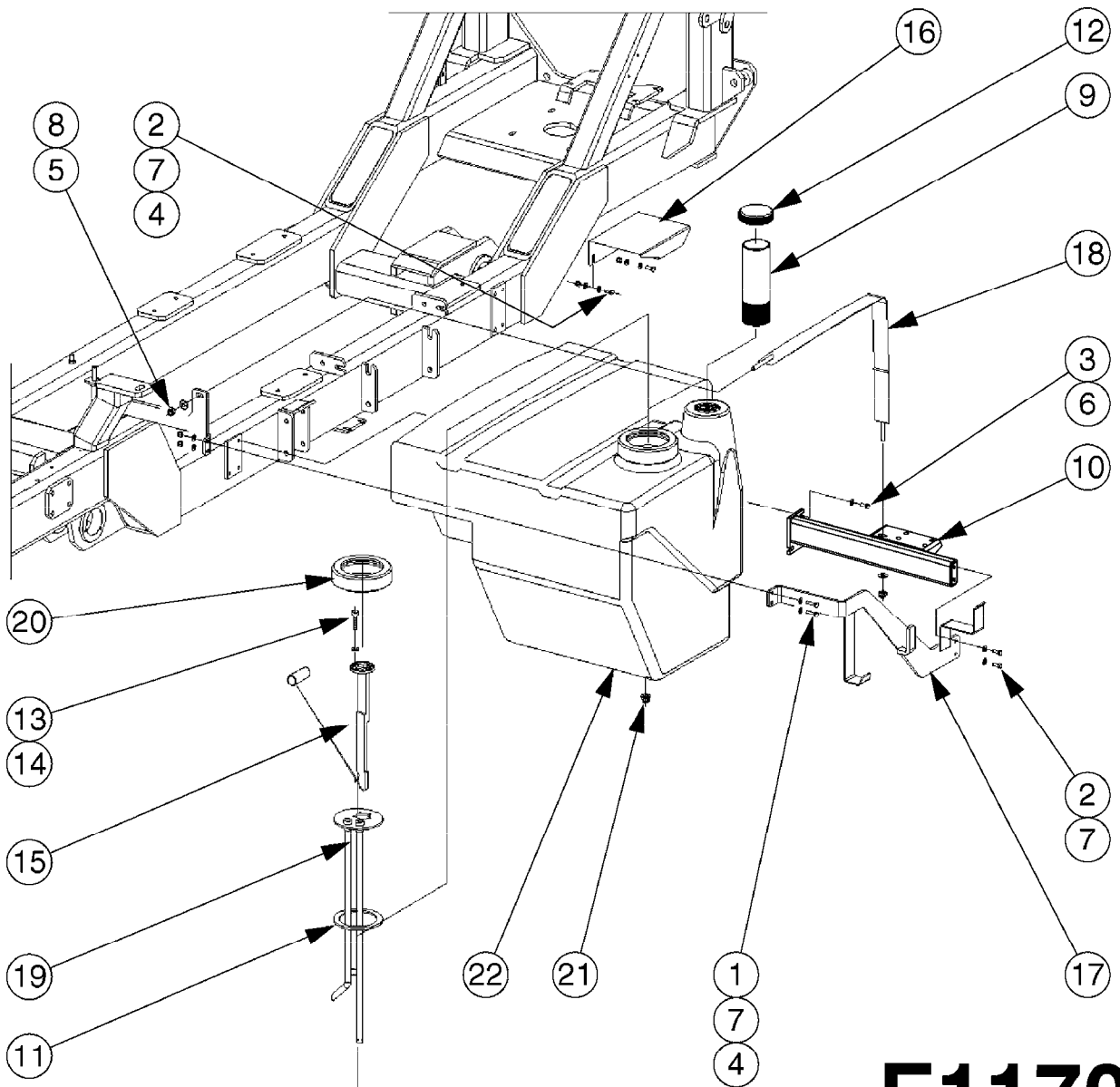
Pos.	parts-n°	order qty	description
3	420604	1	BOLT HEX 8.8 DEL M10X25 FT DIN933
4	421002	1	BOLT HEX 8.8 DEL M10X30 FT DIN933
5	421061	1	BOLT HEX 8.8 DEL M10X100 DIN931
6	430264	1	BOLT HEX 8.8 DEL M16X100
1	288590	1	HINGE, SET OF 2, PLATFORM (55021.10)
2	410406	1	BOLT HEX 8.8 DEL M5X16 FT
7	430286	1	BOLT HEX 8.8 DEL M12X30 FT
8	430367	1	BOLT HEX 8.8 DEL M12X100 DIN931
9	430463	1	BOLT HEX 8.8 DEL M16X110
10	430581	1	BOLT HEX 8.8 DEL M16X40 FT
11	430637	1	BOLT HEX 8.8 DEL M16X50 FT
12	430684	1	BOLT HEX 8.8 DEL M16X30 FT
13	430721	1	BOLT HEX 8.8 DEL M12X40 FT
14	430846	1	BOLT HEX 8.8 DEL M12X80
15	440737	1	BOLT CARRIAGE M10x25 SS
16	458032	1	BOLT M8X30 8.8 DIN7991D SS
17	460143	1	SELF LOCK NUT M8 SST A2 DIN985
18	460423	1	NUT HEX M10X1.50 LOCK DIN985A2 SS
19	460585	1	LOCKING NUT M16 DIN985 A2 SS
20	460703	1	NUT HEX M12X1.75 LOCK DIN985A2 SS
21	461198	1	NUT HEX M16X2 JAMB
22	461217	1	NUT HEX M5 LOCK
23	470127	1	WASHER D15D10X2 M10 LOCK
24	471122	1	WASHER, M10, Ø20/10.5X 2.0, SS
25	471127	1	WASHER, M12, Ø24/13X24X2.5 SS
26	471128	1	WASHER, M16, Ø30/17.0X 3.0, SS
27	471173	1	WASHER D28.0/15.0 X 2.5
28	15052903	1	HANDRAIL POST, FRNT MNT PLATFORM, PRESIDIO
29	16192703	1	LADDER FOLD ARM, FRNT MNT PLATFORM, PRESIDIO
30	16195403	1	KICK PLATE, FRONT, PRESIDIO
31	16195603	1	KICK PLATE, MID, PRESIDIO
32	16195803	1	KICK PLATE, BACK, PRESIDIO
33	16196603	1	LADDER STOP, FRNT MNT PLATFROM, PRESIDIO
34	16197203	1	HOLE COVER, FRNT MNT PLATFORM, PRESIDIO
35	21091900	1	LINK HEAD M16 x D17 DELTA
36	28064503	1	PLUG 3"X3" F. 3/16" WALL TUBE
37	28093303	1	FLUSH-PULL LATCH, BLACK POLYCARBONATE
38	43001403	1	BOLT HEX 8.8 DEL M14X45 FT
39	43001703	1	BOLT HEX 8.8 DEL M16X60
40	45000903	1	BOLT CARRIAGE M10X70 SS
41	47001003	1	WASHER D16.5/D26X3.5 LOCK
42	47001203	1	WASHER D14.7/24.1X2.8 LOCK
43	61021703	1	PLATFORM MID SUPPORT, FRNT MNT PLATFORM, PRESIDIO
44	61022103	1	HANDRAIL, LADDER, PRESIDIO
45	61022303	1	HANDRAIL, PLATFORM FRONT, PRESIDIO
46	61022503	1	HANDRAIL, PLATFORM MIDDLE, PRESIDIO
47	61022703	1	HANDRAIL, PLATFORM BACK, PRESIDIO USED WITH TR4 BOOMS
48	61022903	1	SECONDARY PLATFORM, FRNT MNT PLATFORM, PRESIDIO
49	61023103	1	SUPPORT, SECONDARY PLATFORM, PRESIDIO
50	61023503	1	HANDRAIL, STEEL BOOM, PRESIDIO USED WITH SPC BOOMS
51	61023703	1	SECONDARY SUPPORT MNT, PRESIDIO
52	61023903	1	MIRROR BRKT, SPC BOOM, PRESIDIO
53	63043703	1	LADDER MNT, FRNT MNT PLATFORM, PRESIDIO
54	63044103	1	LADDER, FRNT MNT PLATFORM, PRESIDIO
55	63044503	1	LADDER FOLD BRKT, FRNT MNT PLATFORM, PRESIDIO
56	63044703	1	FRNT PLATFORM BRKT, FRNT MNT PLATFORM, PRESIDIO
57	63044903	1	PLATFORM CORNER, FRNT MNT PLATFORM, PRESIDIO
58	63045203	1	L. TRANSPORT, FRNT MNT PLATFORM, PRESIDIO
59	63046103	1	MAIN PLATFORM, FRNT MNT PLATFORM, PRESIDIO



PRESIDIO PLATFORM
E1160-HIN, 10:01:18

Page 2
Date 07.02.2020 8:02

Pos.	parts-n°	order qty	description
60	78103101	1	CYLINDER, 60/30, C410, LADDER, SARITOR
61	PR-CA0225	1	MIRROR ELECTRIC



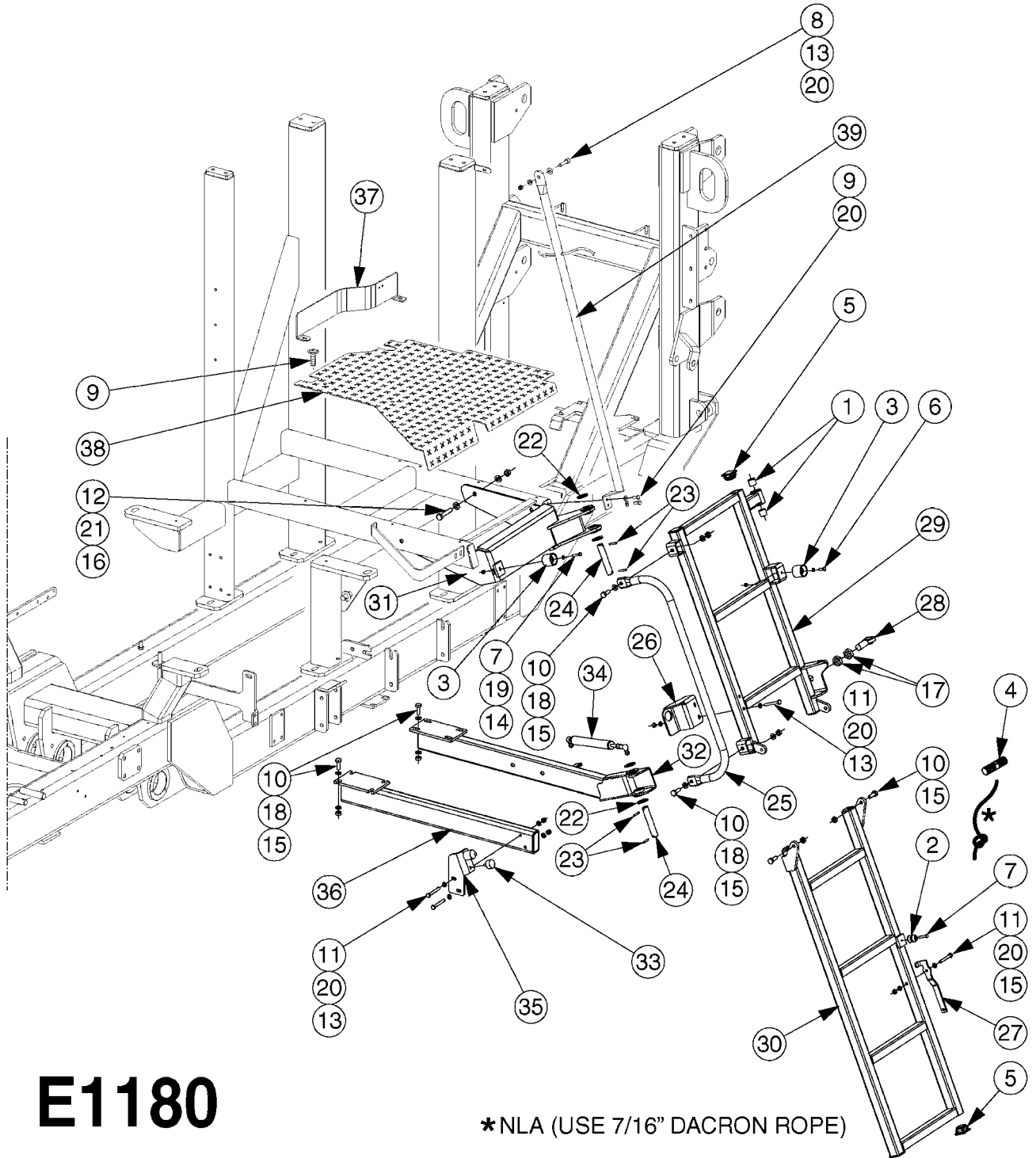
E1170



PRESIDIO FUEL TANK ASSEMBLY
E1170-HIN, 03:08:16

Page 1
Date 07.02.2020 8:03

Pos.	parts-n°	order qty	description
1	420567	1	BOLT HEX 8.8 DEL M8X30 FT
2	420582	1	BOLT HEX 8.8 DEL M8X20 FT A2
3	420604	1	BOLT HEX 8.8 DEL M10X25 FT DIN933
4	460143	1	SELF LOCK NUT M8 SST A2 DIN985
5	460703	1	NUT HEX M12X1.75 LOCK DIN985A2 SS
6	471122	1	WASHER, M10, Ø20/10.5X 2.0, SS
7	471126	1	WASHER, M8, Ø16/ 8.4X 1.6, SS
8	471127	1	WASHER, M12, Ø24/13X24X2.5 SS
9	14022203	1	FUEL TANK NECK, PRESIDIO USED WITH FRONT LADDER PLATFORM
9	PR-FTPR32016	1	FUEL TANK NECK/RISER L=240MM USED WITH SIDE LADDER PLATFORM
10	61023703	1	SECONDARY SUPPORT MNT, PRESIDIO
11	PR-BF0030	1	GASKET, FUEL TANK, PRESIDIO
12	PR-BF0035	1	FUEL TANK PLUG Ø88 M80x2
13	PR-DB2044005012	1	SCREW CHC Stainless M 5X 12
14	PR-DS1104005	1	WASHER M 5125-INOX A2
15	PR-EA0164	1	GAUGE LEVER ADJUSTABLE 150x600 MM
16	PR-FEPR25033	1	TANK COVER ON GO PR3240
17	PR-FEPR25046	1	LOCKING FUEL TANK
18	PR-FEPR25068	1	STRAP STEEL FUEL TANK PR2540
19	PR-FEPR32006	1	PLATE GAUGE DIESEL PR3240
20	PR-FTPR32014	1	PLUG GAUGE PR3240
21	PR-HR9992	1	BM CYL CAP 1/2 "
22	PR-TC0192	1	FUEL TANK 320L PR2540



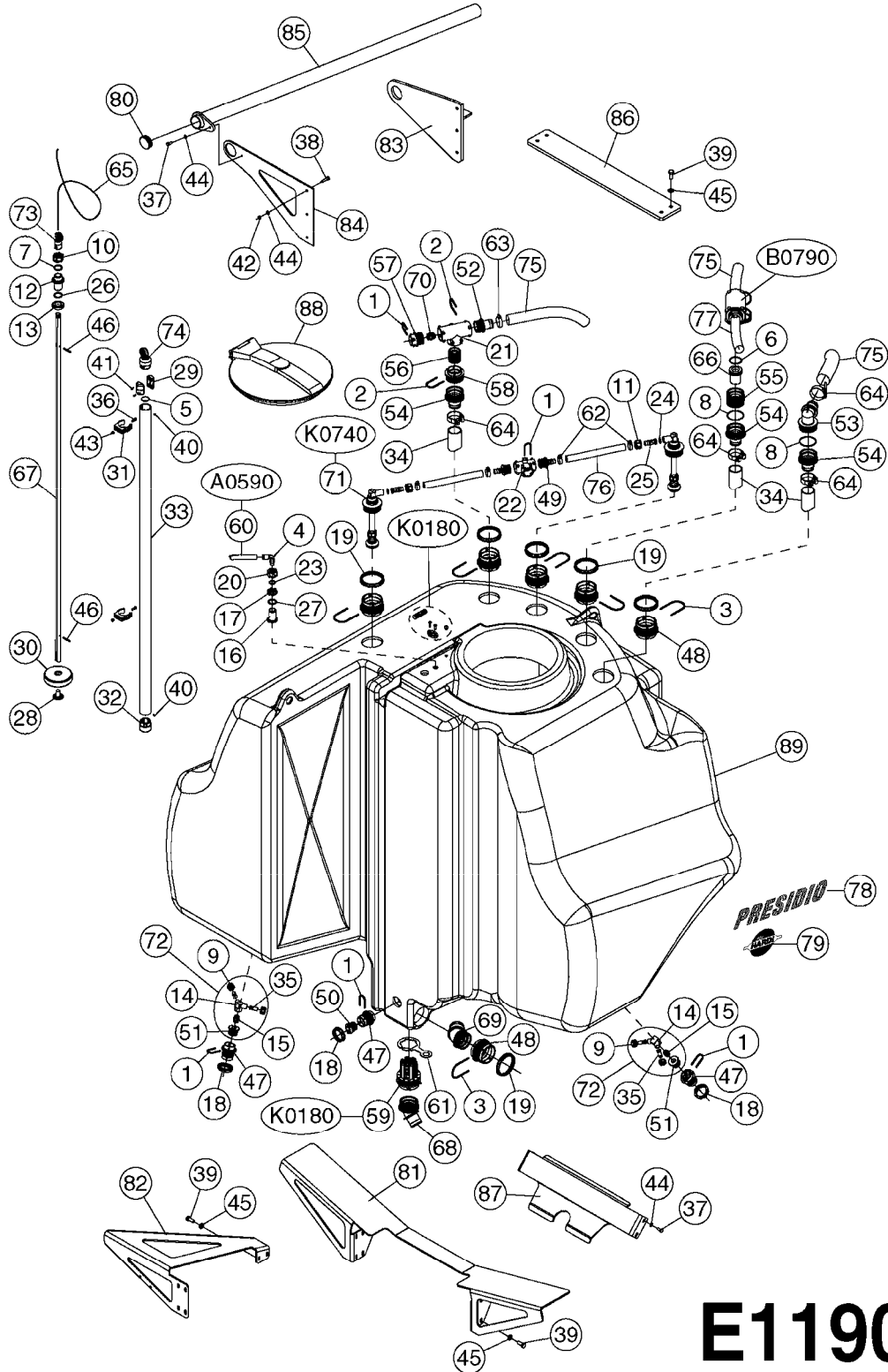


PRESIDIO SIDE LADDER
E1180-HIN, 22:08:17

Page 1

Date 07.02.2020 8:03

Pos.	parts-n°	order qty	description
1	210859	1	BUSH Ø23X20 L20
2	242567	1	DOOR STOP, MALE
3	242568	1	DOOR STOP, FEMALE
4	334472	1	HANDLE FOR TOP DRAIN
5	334571	1	PLUG 40x40x2 F.SQ.TUBE
6	410362	1	BOLT HEX 8.8 SS M6X20
7	410686	1	BOLT HEX 8.8 DEL M6X30
8	420567	1	BOLT HEX 8.8 DEL M8X30 FT
9	420641	1	BOLT HM 8X35/22 A2 SS DIN931
10	421002	1	BOLT HEX 8.8 DEL M10X30 FT DIN933
11	421024	1	BOLT HEX 8.8 DEL M8X60
12	430438	1	BOLT HEX 8.8 DEL M12X65
13	460143	1	SELF LOCK NUT M8 SST A2 DIN985
14	460261	1	NUT HEX M6X1.00 LOCK DIN985 A2 SS
15	460423	1	NUT HEX M10X1.50 LOCK DIN985A2 SS
16	460703	1	NUT HEX M12X1.75 LOCK DIN985A2 SS
17	461200	1	NUT HEX M20X1.5 JAMB.
18	471122	1	WASHER, M10, Ø20/10.5X 2.0, SS
19	471125	1	WASHER M6U 6.4X14X1.2,A2 SS
20	471126	1	WASHER, M8, Ø16/ 8.4X 1.6, SS
21	471127	1	WASHER, M12, Ø24/13X24X2.5 SS
22	471129	1	WASHER, M20, Ø37/21.0X 3.0, SS
23	480730	1	PIN ROLL 5X30 STAINLESS STEEL
24	14020803	1	PIN D19.8X109 W/2XD5, LADDER, PRESIDIO
25	15049303	1	LADDER, HANDLE, PRESIDIO
26	16179603	1	LADDER, LEFT BRACKET, PRESIDIO
27	16179703	1	LEVER, FOR CORD LADDER, PR
28	21092000	1	LINK HEAD M20 x D20 L=78 DELTA
29	63042503	1	LADDER, UPPER PART, PRESIDIO
30	63042603	1	LADDER, LOWER PART, PRESIDIO
31	63042703	1	LADDER, UPPER SUPPORT, PRESIDIO
32	63042803	1	LADDER, LOWER RIGHT SUPPORT, PRESIDIO
33	PR-DD0344	1	STOP RUBBER M8x27 Ø30 H15
34	PR-DD0432	1	GAS SPRING D10 C: 150 F: 400N
35	PR-FEPR25049	1	LADDER STOP BRACKET PRESIDIO
36	PR-FEPR25050	1	LADDER, LOWER LEFT SUPPORT, PRESIDIO
37	PR-FEPR25065	1	PLATFORM BACKSTOP PRESIDIO
38	PR-FEPR25067	1	SIDE PLATFORM PRESIDIO
39	PR-FEPR25079	1	HANDRAIL PRESIDIO



E1190



PRESIDIO MAIN TANK
E1190-HIN, 23:08:18

Page 1
Date 07.02.2020 8:03

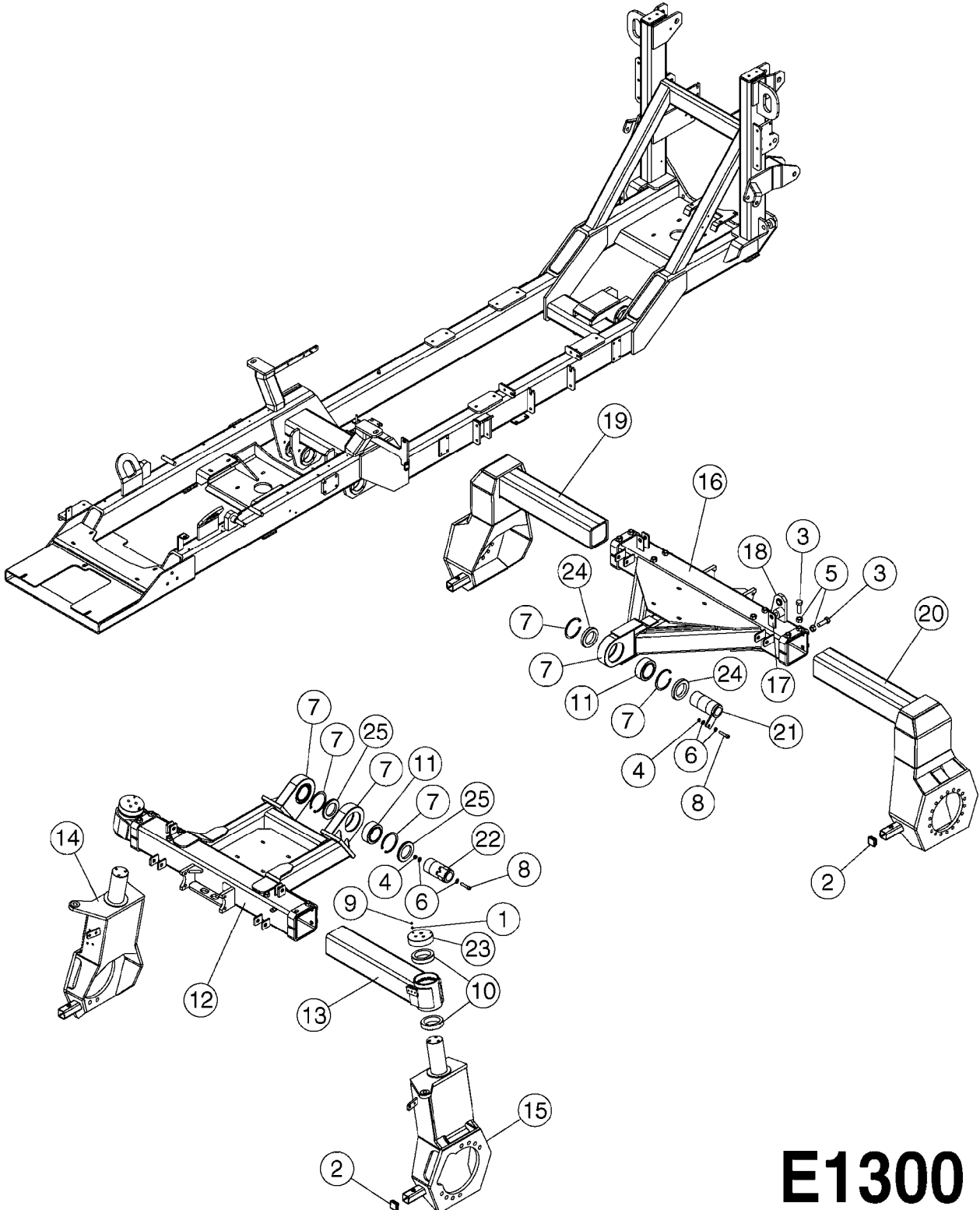
Pos.	parts-n°	order qty	description
1	145995	1	FITT.DK S-53 FORK
2	145996	1	FITT.DK S-67 FORK
3	145997	1	FITT.DK S-93 FORK
4	232150	1	HOSE CONN. 90DEG. 1/8'X8MM PE
5	242262	1	O-RING D31X3 VITON
6	242296	1	O-RING D51X3.5
7	242309	1	SEAL Ø22 ID Ø30 OD X 4 HIGH
8	242351	1	O-RING D69.5X3.0 VITON F.S-93
9	320084	1	FITT.DK NUT 1/2" BSP
10	320095	1	FITT.DK NUT 1" BSP
11	320283	1	FITT.DK NUT 3/4"BSP
12	320456	1	FITT.DK BULKHEAD 1"BSP DOUBLE
13	320471	1	FITT.DK NUT 1" BSP JAMB
14	320563	1	FITT.DK 3 WAY 1/2" 110 DEG.
15	320655	1	FITT.DK HN 1/2"-1/2" BSP
16	321296	1	FITT.DK BULKHEAD 1/2" BSP SING
17	321307	1	FITT.DK NUT 1/2" BSP JAMB
18	322107	1	FITT.DK S-53 BULKHEAD NUT
19	322109	1	FITT.DK S-93 BULKHEAD NUT
20	322170	1	FITT.DK NUT 1/2"x 1/8"F BSP
21	322224	1	FITT.DK S-67 TEE
22	322352	1	FITT.DK S-53 TEE
23	330212	1	O-RING D19/D14X2.4 F.1/2"NUT
24	330595	1	O-RING D24.6/D20X2.1 -3/4"
25	330691	1	FITT.DK HB 3/4'F.3/4' NUT
26	332577	1	O-RING D38/D30X4 F.1" PUR.
27	332592	1	O-RING D26/D20X3
28	333864	1	GUIDE F. SAFETY VALVE SPRING
29	334513	1	MARKER HALF SIGHT GAUGE
30	334515	1	FLOATER FOR LIQUID LEVEL
31	334523	1	PIPE HOLDER Ø51.5
32	334850	1	GUIDE F. SIGHT GAUGE TUBE TOP
33	341283	1	TUBE F.SIGHT GAUGE L=72"
33	97616203	1	DECAL S/G PRESIDIO 2700 (GAL)
33	97616303	1	DECAL S/G PRESIDIO 2700 (LITER)
34	341333	1	TUBE Ø57/Ø52 L=1500 BLACK PE
35	370495	1	NOZZLE INJECTOR 5066-3.0
36	410362	1	BOLT HEX 8.8 SS M6X20
37	420582	1	BOLT HEX 8.8 DEL M8X20 FT A2
38	420641	1	BOLT HM 8X35/22 A2 SS DIN931
39	430286	1	BOLT HEX 8.8 DEL M12X30 FT
40	440663	1	SCREW 3/8" NR4 STAINLESS
41	440667	1	SCREW M3.5X12 SLOT STAINLESS
42	460143	1	SELF LOCK NUT M8 SST A2 DIN985
43	460261	1	NUT HEX M6X1.00 LOCK DIN985 A2 SS
44	471126	1	WASHER, M8, Ø16/ 8.4X 1.6, SS
45	471127	1	WASHER, M12, Ø24/13X24X2.5 SS
46	480717	1	PIN E 5X40 SST
47	726463	1	FITT.DK S53 BULKHEAD W/GASKET
48	726465	1	FITT.DK S-93 BULKHEAD W/GASKET
49	726558	1	FITT.DK S53 STR. 3/4" W. ORING
50	726578	1	FITT.DK S53 PLUG WITH O-RING
51	726694	1	PLUG, S53, 1/2" FBSP THD W. ORING
52	727223	1	FITT.S67 1.5" STRAIT S W/ORING
53	727225	1	FITT.DK S-93 ELB.2'PVC W/ORING
54	727227	1	FITT.DK S-93 STR.2" W/ORING
55	728525	1	FITT. S93 CONNECTOR W/O-RINGS
56	728526	1	FITT.DK S-67 CONNECT W/O-RINGS
57	728561	1	FITT.DK. S67M - S53F REDUCER
58	728562	1	FITT.DK S-93 TO S67 ADAPTOR
59	730084	1	BOTTOM VALVE S93 2"RG-3M



PRESIDIO MAIN TANK
E1190-HIN, 23:08:18

Page 2
Date 07.02.2020 8:03

Pos.	parts-n°	order qty	description
60	927306	1	HOSE R X PE D8/D6 X 0012"BLACK
61	16135600	1	GUIDE FOR SIGHT GAUGE NAV/NCM
62	28029903	1	CLAMP HOSE GEAR P3/4"-S1" 6712
63	28030103	1	CLAMP HOSE GEAR P5/4-S1.5"6724
64	28030203	1	CLAMP HOSE T-BOLT S2" 235-67
65	28034100	1	CABLE F.LIQUID LEVEL IND. SS L=5M
66	39144000	1	VENTURI TUBE CM11
67	61036700	1	GUIDE TUBE F.FLOATER, L=1850, NV4000/CM4400
68	72072700	1	FITT.DK S-93 45D 2" PVC
69	72072900	1	FITT. S93 2-1/2" 45° S W/O-RING
70	72132600	1	CHECK VALVE SUBASSEMBLY S53
71	72358000	1	TANK RINSE LOW MOD.ASSMBLY NCM
72	72462900	1	S53 2X EJEKTORNOZZLE AGITATION
73	72776200	1	PULLEY FLOAT RETROFIT
74	72776400	1	PULLEY SIGHT GAUGE COMPLETE
75	92702603	1	HOSE PVC SUCT GRAY 1-1/2"
76	92703203	1	HOSE R X3/4" X300PSI WP X0012"
77	92712403	1	HOSE R X1" X300PSI WP X0012"
78	97616803	1	DECAL - PRESIDIO TANK LEFT
78	97616903	1	DECAL - PRESIDIO TANK RIGHT
79	97617003	1	DECAL - HARDI 3D LOGO F.TANK 335 X 210
80	PR-DD0422	1	ROUND BLACK PLASTIC CAP D.60
81	PR-FEPR25043	1	REAR SUPPORT TANK PR2540
82	PR-FEPR25044	1	TANK FRONT SUPPORT PR2540
83	PR-FEPR25051	1	REAR SUPPORT TUBE TANK
84	PR-FEPR25057	1	FRONT SUPPORT TUBE TANK
85	PR-FEPR25063	1	REINFORCEMENT TANK RIGHT PR2540
86	PR-FEPR32096	1	BRACKET REAR TANK PR3240
87	PR-FEPR32151	1	BRACKET REAR LOWER TANK
88	PR-SX0020	1	TANK LID, MAIN TANK, PR
88	PR-SX0020-01	1	SEAL F.TANK LID, MAIN TANK, PR
89	PR-TC0190H	1	MAIN TANK 700 GAL, PRESIDIO



E1300



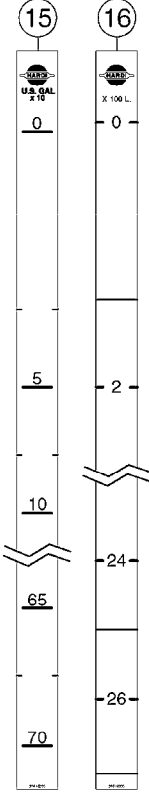
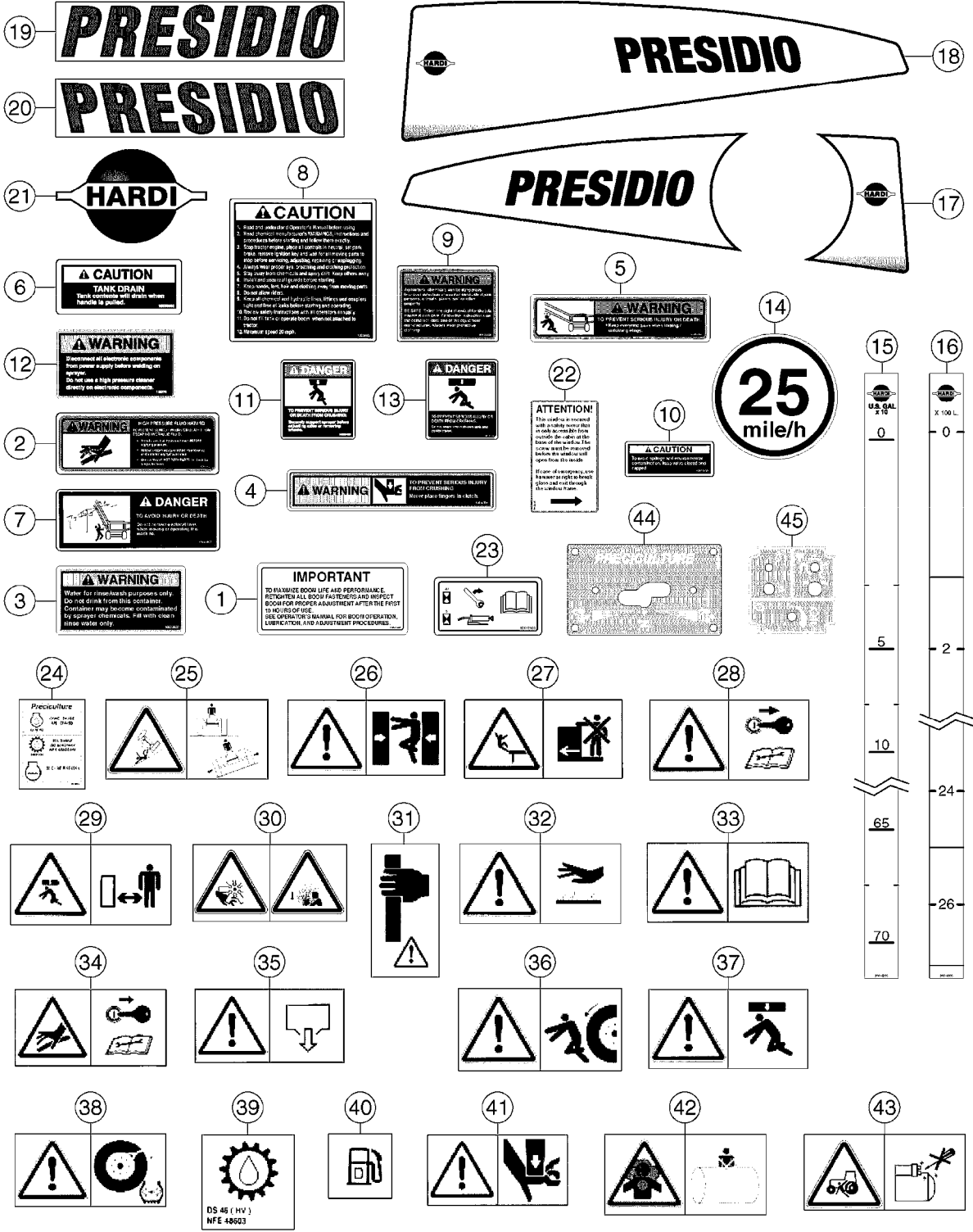
PRESIDIO VARIABLE TRACK
E1300-HIN, 13:03:18

Page 1
Date 07.02.2020 8:03

Pos.	parts-n°	order qty	description
1	288538	1	GREASE NIPPLE M8X1.25
2	334561	1	PLUG 50x50x2 F.SQ.TUBE
3	430977	1	BOLT HEX M20X60 DIN931-8.8.DEL
4	460703	1	NUT HEX M12X1.75 LOCK DIN985A2 SS
5	461228	1	NUT HEX M20
6	471127	1	WASHER, M12, Ø24/13X24X2.5 SS
7	PR-DA0038	1	BODY BALL 80 MM WITH RINGS
8	PR-DB1022008050	1	HM Class 8.8 M 8X 50 SCREW
8	PR-DB2142010050	1	SCREW CHC Class 12.9 M10X 50 Zn
9	PR-DD0122	1	GREASE PLUG BLACK
10	PR-DR0003	1	PR3240 PIVOT BEARING (32016)
11	PR-DR0211	1	BEARING DIAMETER 80MM
12	PR-FEPR25311	1	FRONT 200/270 PR2540
12	PR-FEPR25312	1	FRONT 250/305 PR2540
13	PR-FEPR25331	1	HALF CROSS FRONT Ø80 200-305
13	PR-FEPR25332	1	HALF AXLE FRONT 200 - 270
13	PR-FEPR25333	1	HALF CROSS FRONT Ø90 250-305
14	PR-FEPR25350	1	DROP LEG 1.05
14	PR-FEPR25351	1	DROP LEG 1.05
14	PR-FEPR25352	1	DROP LEG 1.05
14	PR-FEPR25353	1	LEG FRONT RIGHT Ø80, 1.50M
14	PR-FEPR25354	1	LEG 1
15	PR-FEPR25360	1	LEG FRONT RIGHT Ø80, 1.05M PR2540
15	PR-FEPR25361	1	LEG FRONT RIGHT Ø80, 1.25M PR2540
15	PR-FEPR25362	1	LEG FRONT RIGHT Ø90. 1.40M PR2540
15	PR-FEPR25363	1	LEG FRONT LEFT Ø80, 1.25M
15	PR-FEPR25364	1	LEG 2
16	PR-FEPR25411	1	REAR 200/270 PR2540
16	PR-FEPR25412	1	REAR 250/305 PR2540
17	PR-FEPR2541X-F	1	SHOCK MOUNT - FRONT
18	PR-FEPR2541X-R	1	SHOCK MOUNT - REAR
19	PR-FEPR25451	1	LEG REAR RIGHT 200/270 1.05M
19	PR-FEPR25452	1	LEG REAR RIGHT 180/225 1.25M
19	PR-FEPR25453	1	LEG REAR RIGHT 200/270 1.25M
19	PR-FEPR25454	1	LEG REAR RIGHT 210/280 1.40M
19	PR-FEPR25456	1	LEG REAR RIGHT 250/305 1.40M
20	PR-FEPR25461	1	LEG LEFT REAR 200/270 1.05M
20	PR-FEPR25462	1	LEG LEFT REAR 180/225 1.25M
20	PR-FEPR25463	1	LEG LEFT REAR 200/270 1.25M
20	PR-FEPR25464	1	LEG 3
20	PR-FEPR25466	1	LEG LEFT REAR 250/305 1.40M
21	PR-FEPR32009	1	REAR TRAIN LINE L=185MM PR3240
22	PR-FEPR32010	1	FRONT TRAIN LINE L=165MM PR3240
23	PR-FT0037	1	PIVOT PIN CAP Ø80 UTL PR
24	PR-FTPR32023	1	REAR SEAL PR3240
25	PR-FTPR32054	1	FRONT SEAL PR3240 PR4240



DECALS - PRESIDIO
K0156-HIN, 14:09:16



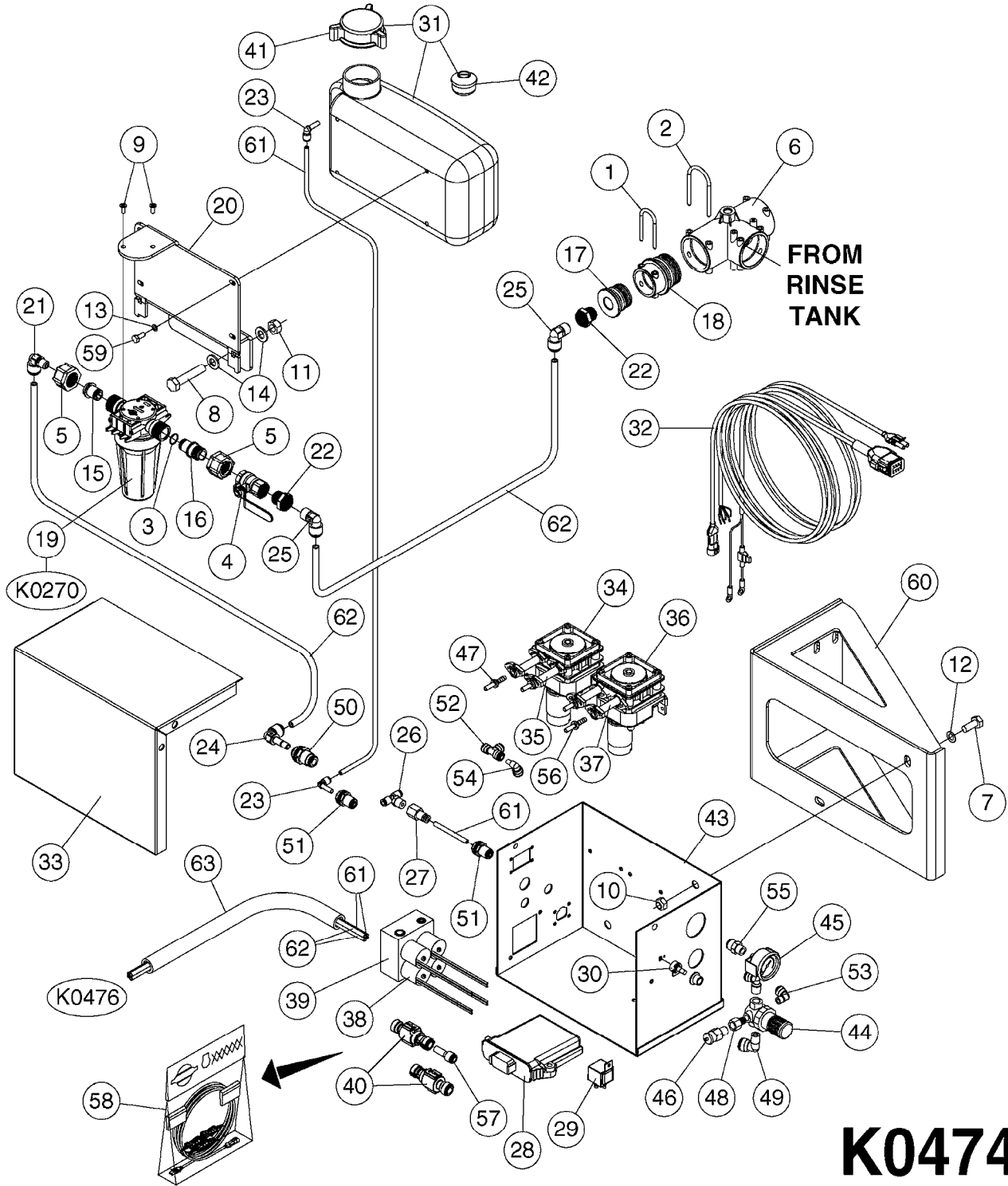
K0156



DECALS - PRESIDIO
K0156-HIN, 14:09:16

Page 1
Date 07.02.2020 8:03

Pos.	parts-n°	order qty	description
1	10521003	1	DECAL IMPORTANT MAINTAIN ENG.
2	10532503	1	DECAL WARNING-FLUID HAZ. ENG
3	10532603	1	DECAL WARNING-CLEAN WATER ENG
4	10532703	1	DECAL WARNING-CRUSH FING. ENG
5	10532803	1	DECAL WARNING-FOLD WINGS ENG
6	10532903	1	DECAL CAUTION-TANK DRAIN ENG
7	10533003	1	DECAL DANGER-OV.HEAD LINE ENG
8	10533103	1	DECAL CAUTION-GENR. LABEL ENG
9	10533203	1	DECAL WARNING-CHEMICALS ENG
10	10533303	1	DECAL CAUTION-LEAK Q.FILL ENG
11	10533403	1	DECAL DANGER-AXLE ADJUST ENG
12	10577603	1	DECAL 'DO NOT WELD' H.P. ENG.
13	10616103	1	DECAL 'DANGER-PARALIFT' ENG
14	97616103	1	DECAL- SPEED 25 MPH
15	97616203	1	DECAL S/G PRESIDIO 2700 (GAL)
16	97616303	1	DECAL S/G PRESIDIO 2700 (LITER)
17	97616603	1	DECAL - PRESIDIO HOOD LEFT
18	97616703	1	DECAL - PRESIDIO HOOD RIGHT
19	97616803	1	DECAL - PRESIDIO TANK LEFT
20	97616903	1	DECAL - PRESIDIO TANK RIGHT
21	97617003	1	DECAL - HARDI 3D LOGO F.TANK 335 X 210
22	97617503	1	DECAL - PRESIDIO CAB WINDOW
23	97617903	1	DECAL - MAINTENANCE BREAKAWAY
24	PR-DE0001	1	DECAL - LIQUID SERVICE
25	PR-DE0002	1	DECAL - ROLL RISK
26	PR-DE0003	1	DECAL - CRUSH HAZARD
27	PR-DE0004	1	DECAL - FALL HAZARD
28	PR-DE0006	1	DECAL - REMOVE IGNITION KEY
29	PR-DE0007	1	DECAL - MAINTAIN DISTANCE
30	PR-DE0008	1	DECAL - FAN BLADE/STEAM HAZARD
31	PR-DE0009	1	DECAL - USE HANDRAIL
32	PR-DE0010	1	DECAL - BURN HAZARD
33	PR-DE0011	1	DECAL - READ OPERATOR'S MANUAL
34	PR-DE0012	1	DECAL - HIGH PRESSURE
35	PR-DE0013	1	DECAL - DRAIN
36	PR-DE0014	1	DECAL - MOVING TIRE HAZARD
37	PR-DE0016	1	DECAL - CRUSH HAZARD
38	PR-DE0017	1	DECAL - TIGHTEN WHEEL
39	PR-DE0018	1	DECAL - OIL
40	PR-DE0019	1	DECAL - FUEL
41	PR-DE0070	1	DECAL - HAND CRUSH HAZARD
42	PR-DE0071	1	DECAL - NO TANK ENTRY
43	PR-DE0073	1	DECAL - NO STARTER BYPASS
44	PR-DE0154	1	DECAL - TRAVEL LEVER XX0300
45	PR-DE0157	1	DECAL - ENGINE THROTTLE



K0474



FOAM MARKER - RICHWAY SP
K0474-HIN, 29:09:16

Page 1
Date 07.02.2020 8:03

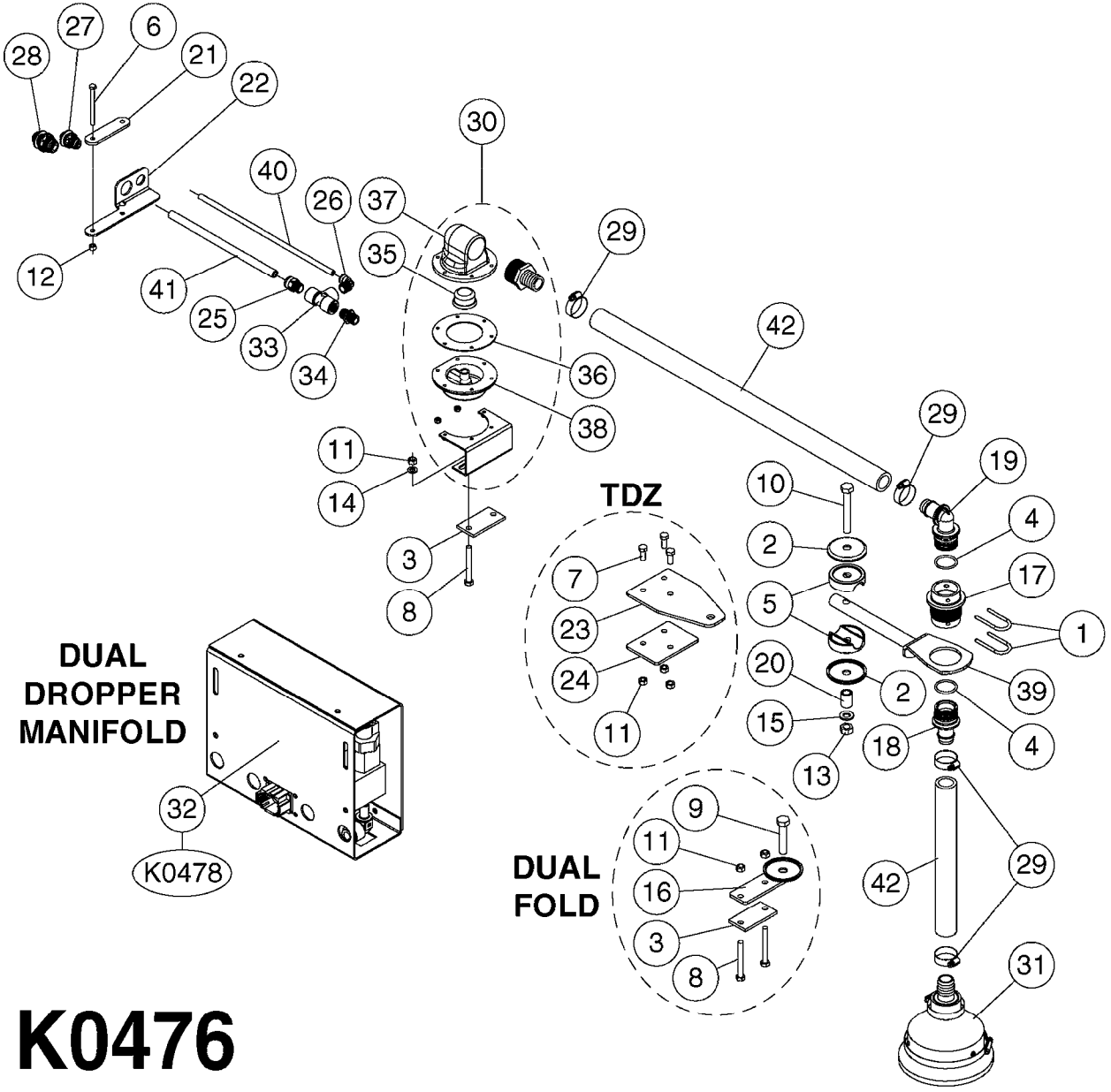
Pos.	parts-n°	order qty	description
1	145995	1	FITT.DK S-53 FORK
2	145996	1	FITT.DK S-67 FORK
3	242594	1	O-RING D14 X 1.78 SCH.70-EPDM
4	284227	1	BALL VALVE 1/2"FEMALE THREADS
5	320283	1	FITT.DK NUT 3/4"BSP
6	322224	1	FITT.DK S-67 TEE
7	420604	1	BOLT HEX 8.8 DEL M10X25 FT DIN933
8	430323	1	BOLT HEX 8.8 DEL M12X60
9	440673	1	SCREW F.PLASTIC 5X12 SS
10	460423	1	NUT HEX M10X1.50 LOCK DIN985A2 SS
11	460703	1	NUT HEX M12X1.75 LOCK DIN985A2 SS
12	470127	1	WASHER D15D10X2 M10 LOCK
13	470901	1	WASHER D11.8/D6.1X1.6 SS LOCK
14	471127	1	WASHER, M12, Ø24/13X24X2.5 SS
15	717426	1	FITT.DK REDUC 1/4"BSP F.3/4"N
16	720856	1	FITT.DK 1/2'BSP ASSY.F.3/4'NUT
17	726694	1	PLUG,S53,1/2"FBSP THD W.ORING
18	728561	1	FITT.DK. S67M - S53F REDUCER
19	845219	1	FILTER IN-LINE 3/4'80 MESH OML
20	16182903	1	BRACKET, FOAM CONCENTRATE TANK, PR
21	23004703	1	FITT, 1/4"NPT-3/8"90-PTC
22	23004803	1	FITT, 1/2"MPT-3/8"FPT REDUCER
23	23004903	1	FITT, 1/4"PLUG-IN-1/4"90-PTC
24	23005003	1	FITT, 3/8"PLUG-IN-3/8"90-PTC
25	23005103	1	FITT, 3/8"NPT-3/8"90-PTC
26	23007403	1	FITT, 1/4'' NPT M X 6MM TEE PTC
27	23007503	1	FITT, 1/4'' NPT F X 1/4'' STR PTC
28	26029503	1	MODULE, CONTROL, FOAM MARKER, RICHWAY
29	26029603	1	RELAY, 12VDC, RICHWAY
30	26029703	1	POTENTIOMETER, FOAM MARKER, RICHWAY
31	28064703	1	FOAM MARKER CONC. TANK,RICHWAY COMPLETE TANK ASSEMBLY
32	28064803	1	FOAM MARKER CONT.CABLE,RICHWAY
33	28086503	1	STEEL LID, FOAM MARKER, RICHWAY
34	28086603	1	WATER PUMP, FOAM MARKER, RICHWAY
35	28086703	1	1/4" PUMP TUBE, WATER, FOAM MARKER, RICHWAY
36	28086803	1	CONCENTRATE PUMP, FOAM MARKER, RICHWAY
37	28086903	1	1/8" PUMP TUBE, CONCENTRATE, FOAM MARKER, RICHWAY
38	28087003	1	2-WAY SOLENOID VALVE, FOAM MARKER, RICHWAY
39	28087103	1	RHD-VTD SOLENOID BLOCK, FOAM MARKER, RICHWAY
40	28087403	1	3/8" CHECK VALVE, FOAM MARKER, RICHWAY
41	28087603	1	1 GALLON TANK CAP, FOAM MARKER, RICHWAY INCLUDED WITH TANK ASSEMBLY
42	28087703	1	1 GALLON TANK SCREEN, FOAM MARKER, RICHWAY INCLUDED WITH TANK ASSEMBLY
43	28088703	1	STEEL BODY, SP FOAM MARKER, RICHWAY
44	28088803	1	AIR REGULATOR, FOAM MARKER, RICHWAY
45	28088903	1	GAUGE 0-30 PSI, RICHWAY
46	28089003	1	PRESSURE RELIEF VALVE, 20 PSI, RICHWAY
47	28094103	1	FITT.1/4" STEM X 1/4" HOSE BARB
48	28095603	1	1/8"M X 1/4"F REDUCER
49	28095703	1	1/4"M X 3/8"T ELBOW
50	28095803	1	3/8"T BULKHEAD
51	28095903	1	1/4"T BULKHEAD
52	28096003	1	1/4"T TEE
53	28096103	1	1/8"M X 1/4"T ELBOW
54	28096203	1	1/4" STEM X 1/4"T ELBOW
55	28096303	1	1/8"F X 1/4"T STRAIGHT
56	28096403	1	1/4" STEM X 3/16" HB
57	28096503	1	3/8" STEM X 1/4"T



FOAM MARKER - RICHWAY SP
K0474-HIN, 29:09:16

Page 2
Date 07.02.2020 8:03

Pos.	parts-n°	order qty	description
58	28097203	1	POWER UNIT HARNESS, RICHWAY SP
59	41000603	1	INSIDE WIRING HARNESS COMPLETE
60	61019303	1	BOLT HEX 1/4"X1/2" SS
61	92703303	1	RICHWAY, COMPRESSOR, BRACKET, PR
62	92703403	1	PRESIDIO ONLY
63	92712403	1	HOSE LLDPE .25"X.17"X12" BLACK
		1	HOSE LLDPE .38"X.25"X12" BLACK
		1	HOSE R X1" X300PSI WP X0012"



K0476

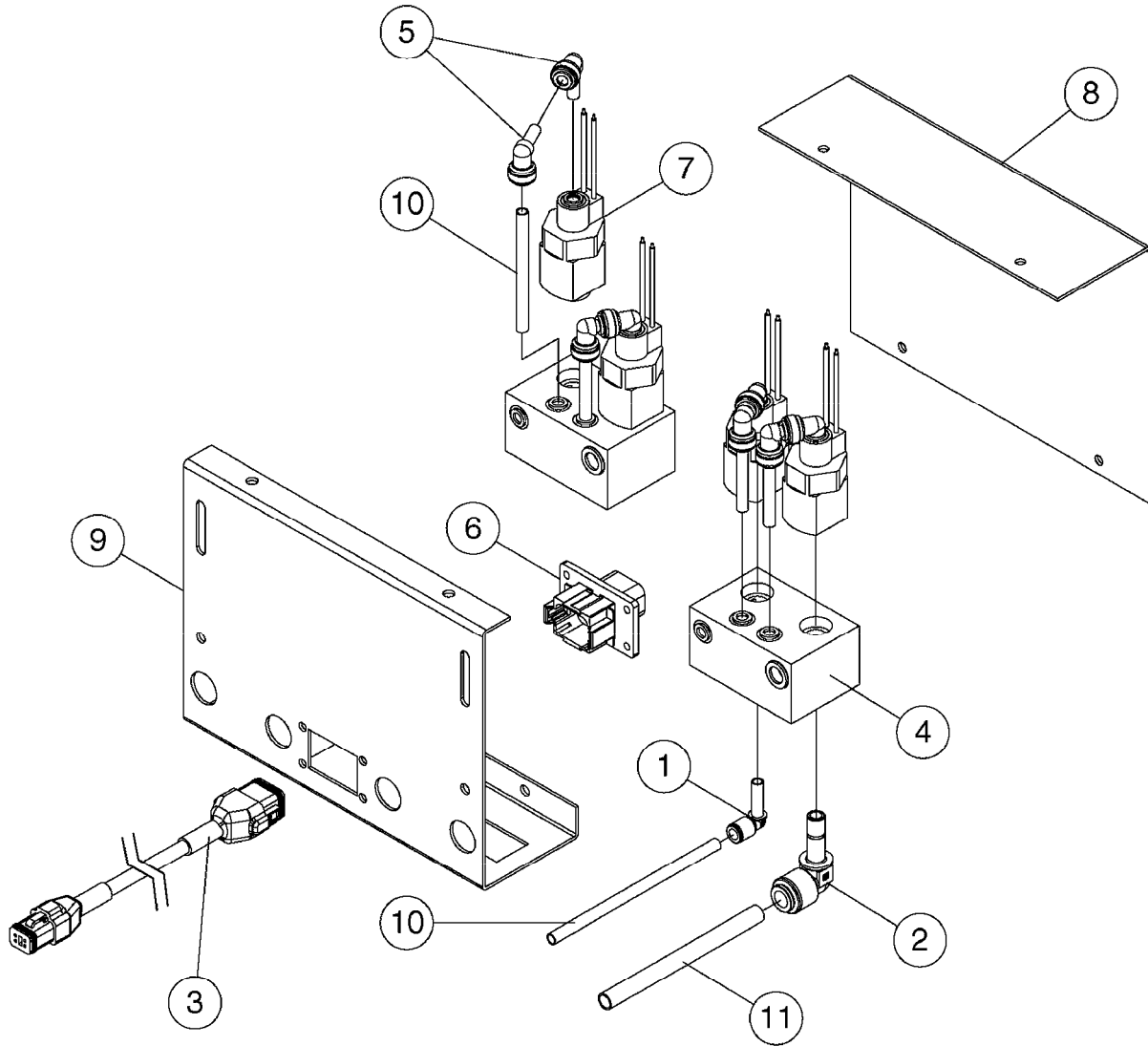


FOAM MARKER - DROPPER RICHWAY
K0476-HIN, 26:02:18

Page 1

Date 07.02.2020 8:03

Pos.	parts-n°	order qty	description
1	145995	1	FITT.DK S-53 FORK
2	160775	1	WASHER F. FRICTION PLATE
3	172664	1	FLATBAR BACKING PLATE
4	242109	1	O-RING D32.2x3.0
4	242354	1	O-RING D32.2X3.0 VITON
5	330831	1	FRICTION PLATE
6	410605	1	BOLT HEX 8.8 DEL M6X80
7	420582	1	BOLT HEX 8.8 DEL M8X20 FT A2
8	421201	1	BOLT HEX 8.8 DEL M8X70
9	430323	1	BOLT HEX 8.8 DEL M12X60
10	430924	1	BOLT HEX 8.8 DEL M12 X 85
11	460143	1	SELF LOCK NUT M8 SST A2 DIN985
12	460261	1	NUT HEX M6X1.00 LOCK DIN985 A2 SS
13	460703	1	NUT HEX M12X1.75 LOCK DIN985A2 SS
14	471126	1	WASHER, M8, Ø16/ 8.4X 1.6, SS
15	471127	1	WASHER, M12, Ø24/13X24X2.5 SS
16	611671	1	BREAK AWAY HOLDER F-MARKER
17	726463	1	FITT.DK S53 BULKHEAD W/GASKET
18	726559	1	FITT DK. S-53 HB 1" W/O-RING
19	726571	1	FITT.DK S-53 ELB.1", W ORING
20	14103900	1	BUSHING Ø19/Ø13 L=26.5 SPC/FTZ BOOMS ONLY
21	16022403	1	BRACKET 60MM TUBE
22	16162903	1	BRKT, FOAM LINE DISCONNECT
23	16169803	1	BRACKET, TDZ FOAM MARKER MOUNT
24	16170003	1	PLATE, TDZ FOAM MARKER MOUNT BACKER
25	23004303	1	FITT, 3/8"NPT-3/8"TUBE-PTC
26	23004403	1	FITT, 3/8"NPT-1/4"90-PTC
27	23004503	1	FITT, BULKHEAD-1/4" TUBE-PTC
28	23004603	1	FITT, BULKHEAD-3/8" TUBE-PTC
29	28030003	1	CLAMP HOSE GEAR P1" 6716
30	28064903	1	FOAMHEAD ASSEMBLY, RICHWAY
31	28065003	1	COLLECTOR HEAD ASSY, RICHWAY
32	28065103	1	DUAL DROP MANIFOLD, RICHWAY
33	28066303	1	FITT, BANJO, 3/8" TEE
34	28066403	1	FITT, BANJO, 3/8"-3/8" STR NIP
35	28087803	1	3/8" FOAMHEAD SCREEN, FOAM MARKER, RICHWAY
36	28087903	1	FOAMHEAD GASKET, FOAM MARKER, RICHWAY
37	28088003	1	FOAMHEAD TOP HOUSING, FOAM MARKER, RICHWAY
38	28088103	1	FOAMHEAD BOTTOM HOUSING, FOAM MARKER, RICHWAY
39	61065900	1	BRACKET FOR FOAM DROPPER, S53
40	92703303	1	HOSE LLDPE .25"X.17"X12" BLACK
41	92703403	1	HOSE LLDPE .38"X.25"X12" BLACK
42	92712403	1	HOSE R X1" X300PSI WP X0012"



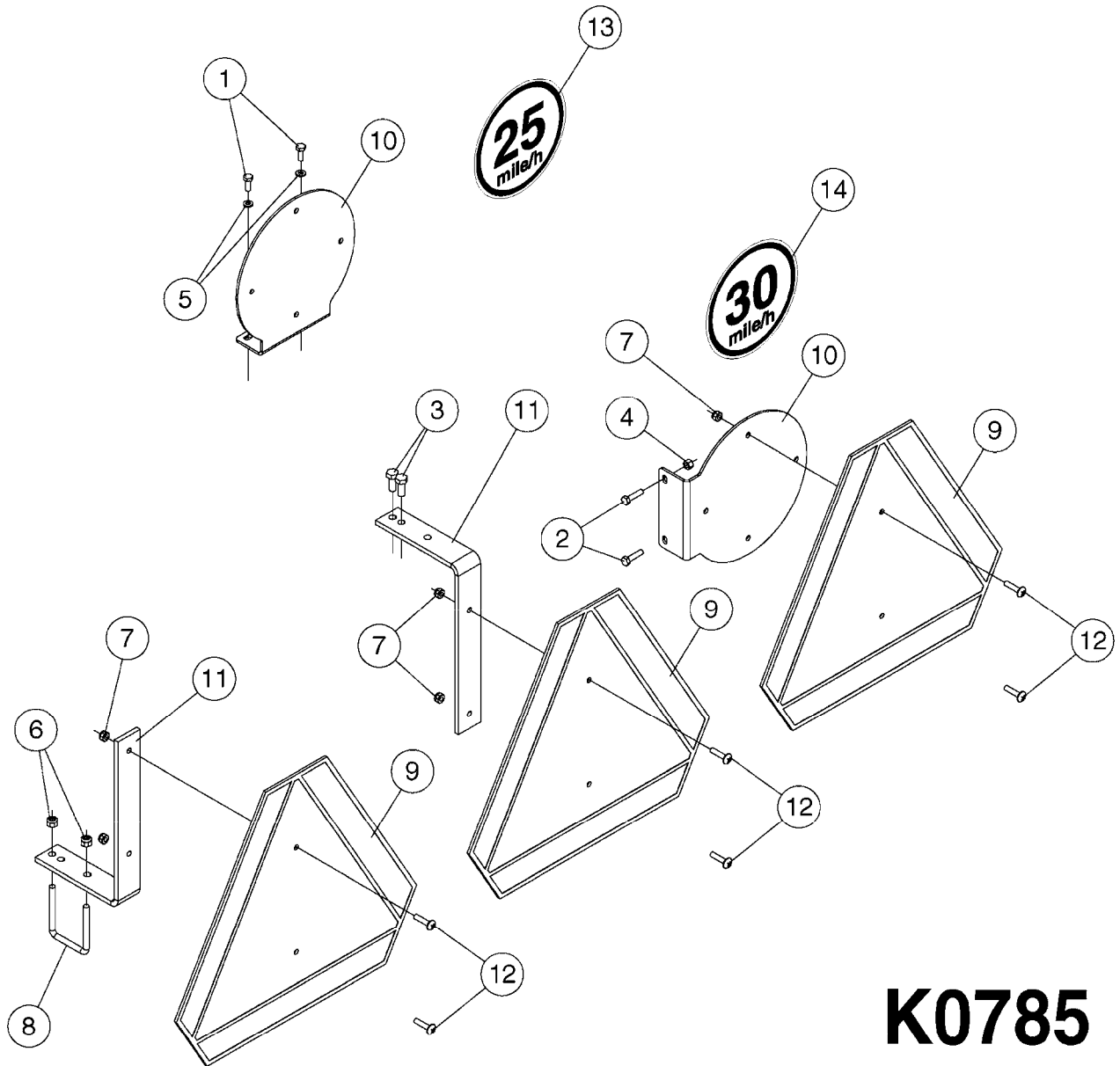
K0478



FOAM MARKER - DUAL DROPPER
RICHWAY
K0478-HIN, 26:09:16

Page 1
Date 07.02.2020 8:03

Pos.	parts-n°	order qty	description
1	23004903	1	FITT, 1/4"PLUG-IN-1/4"90-PTC
2	23005003	1	FITT, 3/8"PLUG-IN-3/8"90-PTC
3	28065203	1	DUAL DROP HARNESS, RICHWAY
4	28088603	1	RHD-DDASY SOLENOID BLOCK, FOAM MARKER, RICHWAY
5	28096203	1	1/4" STEM X 1/4"T ELBOW
6	28096603	1	FEMALE DEUTSCH CONNECTOR
7	28096703	1	3-WAY SOLENOID VALVE
8	28096803	1	DUAL DROPPER LID
9	28096903	1	DUAL DROPPER BODY
10	92703303	1	HOSE LLDPE .25"X.17"X12" BLACK
11	92703403	1	HOSE LLDPE .38"X.25"X12" BLACK

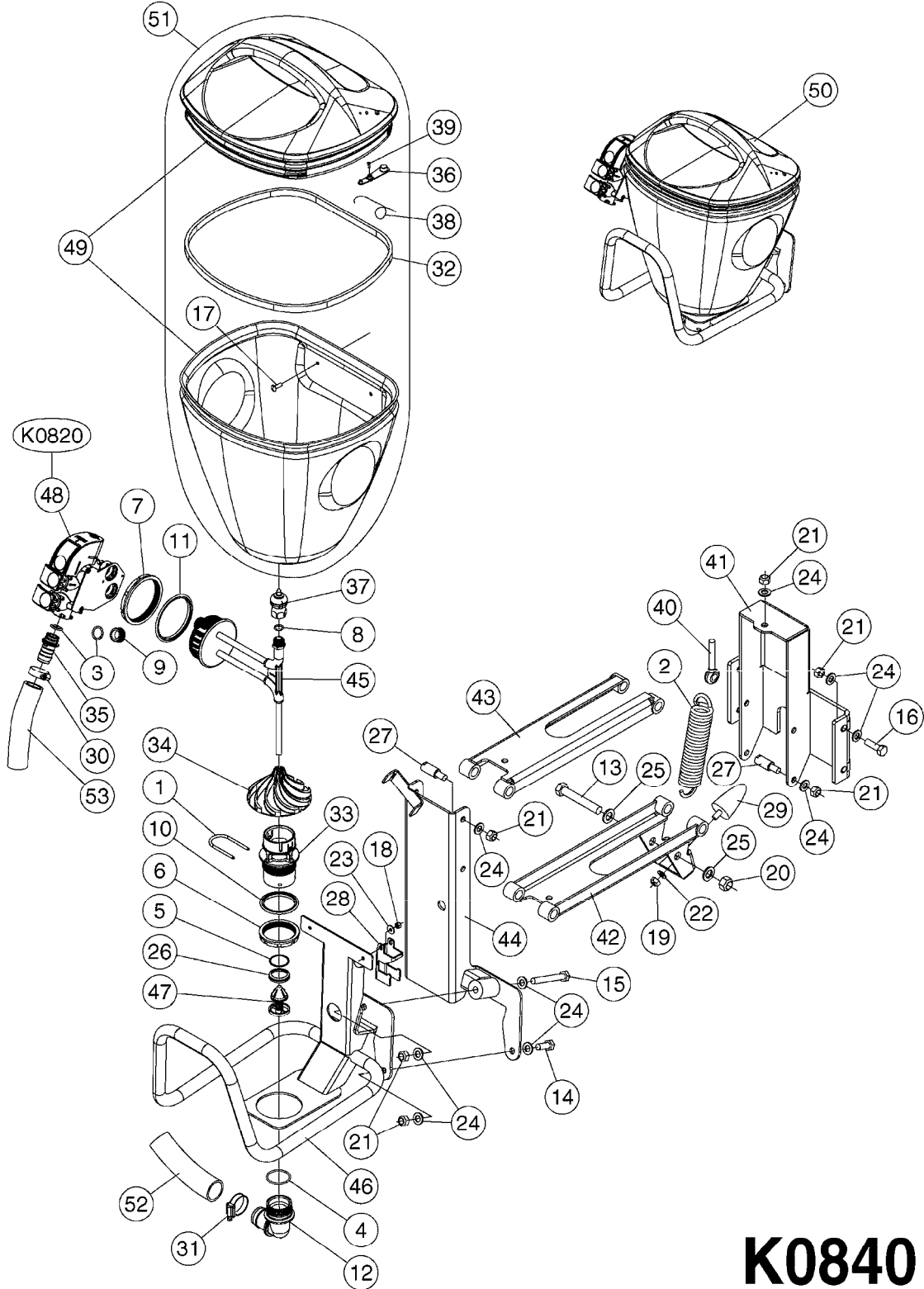




SMV/SPEED SIGNS & BRACKETS
K0785-HIN, 16:01:18

Page 1
Date 07.02.2020 8:03

Pos.	parts-n°	order qty	description
1	410185	1	BOLT HEX 8.8 DEL M6X16
2	410281	1	BOLT HEX 8.8 DEL M6X25 DIN933 A2
3	420582	1	BOLT HEX 8.8 DEL M8X20 FT A2
4	460261	1	NUT HEX M6X1.00 LOCK DIN985 A2 SS
5	470901	1	WASHER D11.8/D6.1X1.6 SS LOCK
6	10010803	1	NUT HEX NC (NYLON LOCK) 5/16
7	10497603	1	NUT HEX NC 1/4 NYLOCK Z
8	10601303	1	BOLT U 5/16'x 2'
9	10601403	1	SMV SIGN POLYSTYRENE
10	16170103	1	BRACKET, DECAL, SPEED LIMIT, PRESIDIO
11	17007203	1	MOUNT BKT. F. S.M.V. SIGN-03
12	45002203	1	SCREW TPH MS 1/4-20X1 ZNCLR
13	97616103	1	DECAL- SPEED 25 MPH
14	97617103	1	DECAL - SPEED 30 MPH



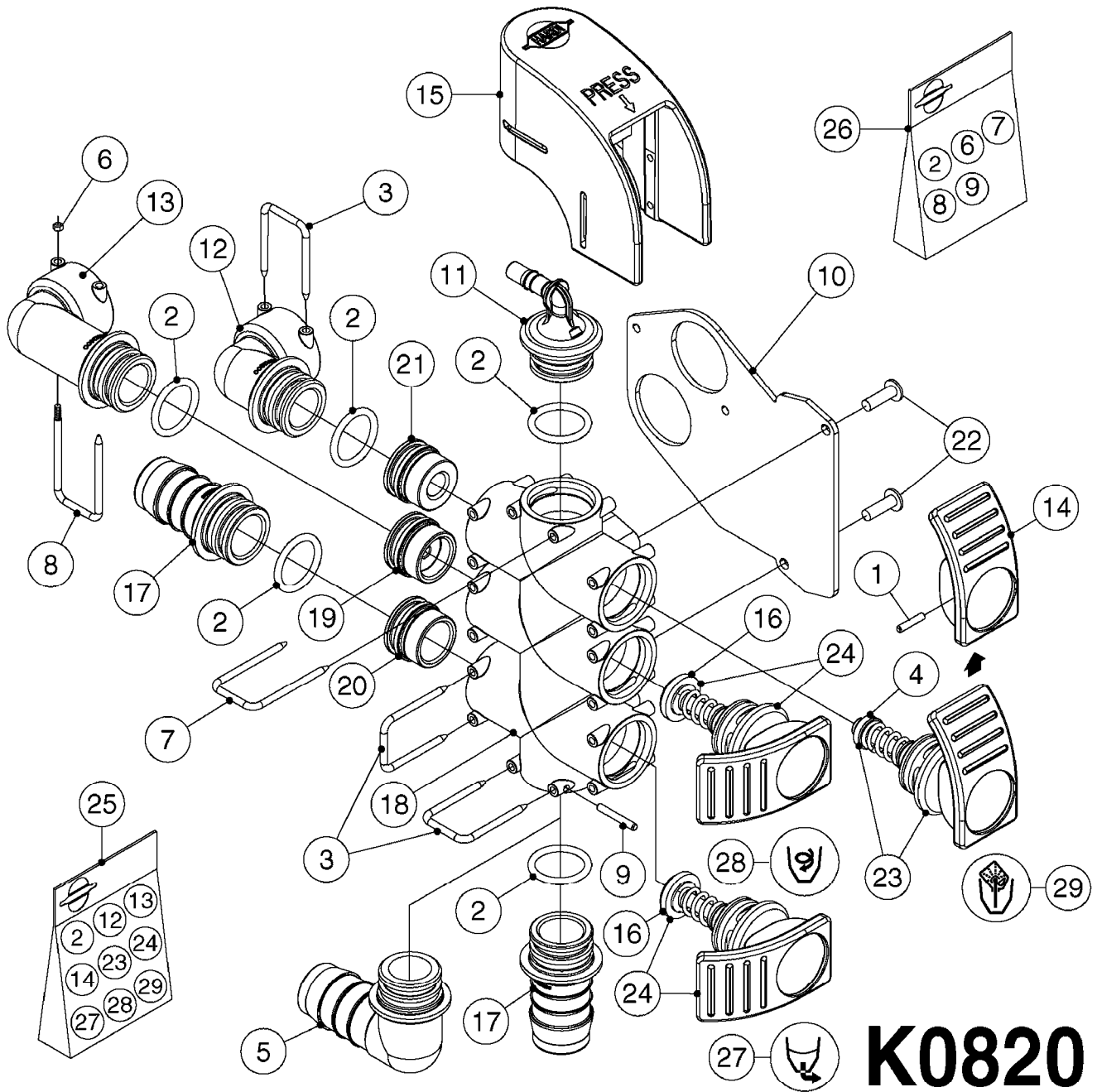
K0840



TURBOFILLER - PRESIDIO
K0840-HIN, 25:04:19

Page 1
Date 07.02.2020 8:03

Pos.	parts-n°	order qty	description
1	145996	1	FITT.DK S-67 FORK
2	220929	1	DRAW SPRING D45.0/7.0-240.0
3	240951	1	O-RING D21.2X3 NITRIL
4	242353	1	O-RING 3 X 44.2 VITON
5	242504	1	O-RING D35x2 NITRIL
6	322108	1	FITT.DK S-67 BULKHEAD NUT
7	322109	1	FITT.DK S-93 BULKHEAD NUT
8	330212	1	O-RING D19/D14X2.4 F.1/2"NUT
9	333583	1	END PIECE FOR BYPASS
10	334261	1	GASKET F. S-67 BULKHEAD
11	334262	1	GASKET F.S-93 BULKHEAD
12	334445	1	FITT.DK S-67 ELB.1-1/2"
13	430264	1	BOLT HEX 8.8 DEL M16X100
14	430286	1	BOLT HEX 8.8 DEL M12X30 FT
15	430485	1	BOLT HEX 8.8 DEL M12X90
16	430721	1	BOLT HEX 8.8 DEL M12X40 FT
17	451007	1	SCREW M6X20 STAINLESS
18	460261	1	NUT HEX M6X1.00 LOCK DIN985 A2 SS
19	460423	1	NUT HEX M10X1.50 LOCK DIN985A2 SS
20	460585	1	LOCKING NUT M16 DIN985 A2 SS
21	460703	1	NUT HEX M12X1.75 LOCK DIN985A2 SS
22	471122	1	WASHER, M10, Ø20/10.5X 2.0, SS
23	471124	1	WASHER, M6, Ø18/ 6.4X 1.6, SS
24	471127	1	WASHER, M12, Ø24/13X24X2.5 SS
25	471128	1	WASHER, M16, Ø30/17.0X 3.0, SS
26	14103100	1	SEAT F.CHECK VALVE D40.8 2010
27	15048003	1	PIN, 3/4" OD,M12X1.75,L=58MM,CHEMFILL.PRESIDIO
28	15108500	1	MOUNTING FOR WAND
29	24003503	1	RUBBER BUFFER D42 X 50 M172
30	28030003	1	CLAMP HOSE GEAR P1" 6716
31	28030103	1	CLAMP HOSE GEAR P5/4-S1.5"6724
32	28094300	1	SEALING RING Ø350 B=23 H=10
33	32237100	1	LEAD IN S67 CHECK VALVE
34	33512400	1	FLUID ROTATOR D 128
35	33513500	1	FITT.DK S-25 STR. 1"
36	33514700	1	AIR VALVE F. TURBO FILL
37	37219000	1	CLEANING NOZZLE, CHEMICAL FILLER
38	39124200	1	POLY STRING Ø 1.5 X 800
39	44074500	1	PT SCREW 40X10 WN5451/TORX 20IP SS
40	45000703	1	EYE BOLT, M12x1.75, L=82.5MM, DELTA
41	61019503	1	BRACKET, CHEM.FILLER, BASE, PRESIDIO
42	63042003	1	BRACKET, CHEM.FILLER, LOWER LINK ARM, PRESIDIO
43	63042103	1	BRACKET, CHEM.FILLER, UPPER LINK ARM, PRESIDIO
44	63042203	1	BRACKET, CHEM.FILLER, INTERFACE, PRESIDIO
45	63062200	1	RINSETUBE D12 SS TURBOFILL
46	63094300	1	MAIN SUPPORT F.TURBOFILL 25L RED
47	72089900	1	CHECK VALVE S67 SUBASMBLY.2001
48	72482000	1	MANIFOLD S25 CHEMFILL
49	72593600	1	TURBOFILL TANK+LID 25L
50	72738800	1	TURBOFILL HOPPER W/BRKT 25L
51	72950100	1	CHEMFILLER HOPPER W/LID 25L
52	92702603	1	HOSE PVC SUCT GRAY 1-1/2"
53	92712403	1	HOSE R X1" X300PSI WP X0012"



K0820

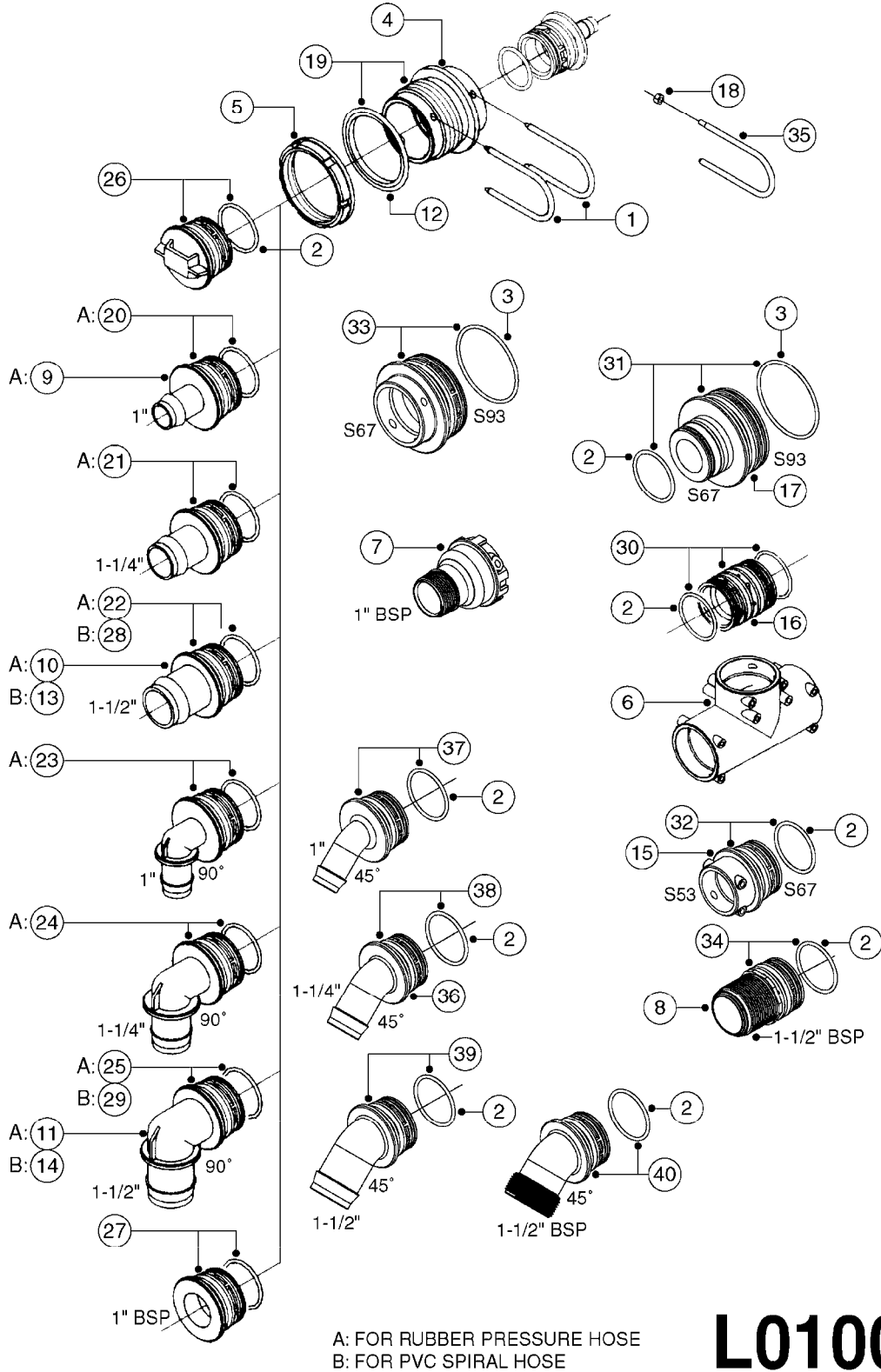


TURBOFILLER S25 MANIFOLD
K0820-HIN, 04:12:19

Page 1

Date 07.02.2020 8:03

Pos.	parts-n°	order qty	description
1	146643	1	PIN F.CYLINDER D3 X 15
2	240951	1	O-RING D21.2X3 NITRIL
3	270211	1	FITT.DK S25 FORK L=37.5
4	330304	1	VALVE CONE D14
5	333561	1	FITT.DK ELB.1" EC RETURN
6	461219	1	LOCKNUT M3 DIN 985 SS
7	14071400	1	FITT.DK S25 FORK L=45
8	14074100	1	FITT.DK S25 FORK L=45 + M3
9	14074200	1	PIN FOR S25 FITTING
10	16214100	1	PLATE MANIFOLD CHEMFILL
11	33512500	1	FITT.DK S-25 ELB.90° 5/16"HB
12	33512800	1	FITT.DK S-25 ELB.90° S-25 L38
13	33512900	1	FITT.DK S-25 ELB.90° S-25 L60
14	33513000	1	HANDLE /S25 HOUSING TURBOFILL
15	33513100	1	COVER VALVE TURBOFILL S25
16	33513400	1	VALVE CONE z21
17	33513500	1	FITT.DK S-25 STR. 1"
18	39122600	1	FITT.DK S-25 VALVE MANIFOLD
19	39129800	1	VALVE SEAT S25 Ø20/Ø18/Ø5
20	39129900	1	VALVE SEAT S25 Ø20/Ø18
21	39130000	1	VALVE SEAT S25 Ø13.5/Ø11
22	44076200	1	SCREW WN5451 5X16 SS TORX
23	72482100	1	VALVE ASSY. S25 Ø14 TURBOFILL
24	72482200	1	VALVE ASSY. S25 Ø21 TURBOFILL
25	72530700	1	REP. KIT F. MANIFOLD S25 TURB.
26	72924500	1	REP.KIT F.MANIFOLD S25 TURBO
27	97821400	1	DECAL CHEMFILL SUCTION 28Ø
28	97821500	1	DECAL CHEMFILL AGITATE 28Ø
29	97821600	1	DECAL CHEMFILL CLEAN 28Ø





FITTINGS - S-67
L0100-HIN, 21:06:18

Page 1

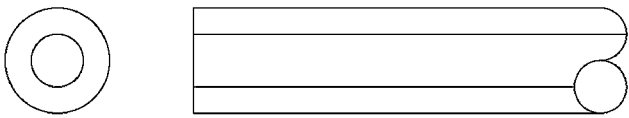
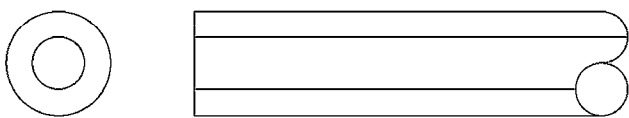
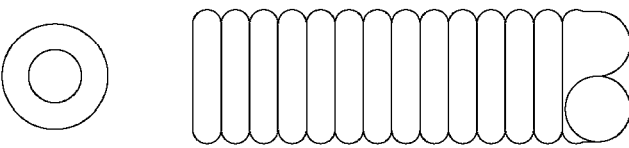
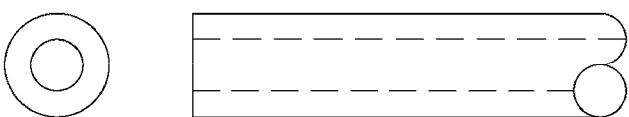
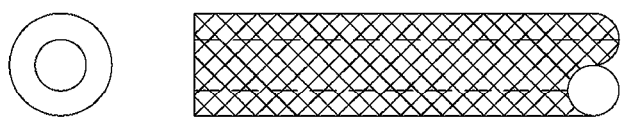
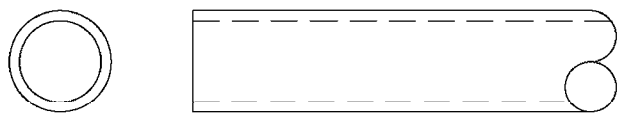
Date 07.02.2020 8:03

Pos.	parts-n°	order qty	description
1	145996	1	FITT.DK S-67 FORK
2	241973	1	O-RING Ø3 X 44.2 70 SHORES NITRIL NITRIL (BLACK)
2	242353	1	O-RING 3 X 44.2 VITON VITON (BROWN)
3	242092	1	O-RING D69.5X3 NITRIL (BLACK)
3	242351	1	O-RING D69.5X3.0 VITON F.S-93 VITON (BROWN)
4	322104	1	FITT.DK S-67 BULKHEAD
5	322108	1	FITT.DK S-67 BULKHEAD NUT
6	322224	1	FITT.DK S-67 TEE
7	322321	1	FITT.DK S-67 X 1"BSP MALE
8	322325	1	FITT.DK S-67 X 1-1/2"BSP LONG
9	334231	1	FITT.DK S-67 STR.1"
10	334233	1	FITT.DK S-67 STR.1-1/2" RUBBER
11	334245	1	FITT.DK S-67 ELB. 1-1/2"RUBBER
12	334261	1	GASKET F. S-67 BULKHEAD
13	334444	1	FITT.DK S-67 STR.1-1/2" PVC
14	334445	1	FITT.DK S-67 ELB.1-1/2"
15	334564	1	FITT.DK S-67 TO S-53 ADAPTER
16	334573	1	FITT.DK S-67 CONNECTOR
17	334634	1	FITT.DK ADAPTER S-93M S67M
18	461217	1	NUT HEX M5 LOCK
19	726464	1	FITT.DK S-67 BULKHEAD W/GASKET
20	726560	1	FITT.DK S-67 STR.1" W.O'RING
21	726561	1	FITT.DK S-67 STR.1-1/4" O-RING
22	726562	1	FITT.DK.S-67 HB 1-1/2"W.O-RING
23	726572	1	FITT.DK S-67 1" ELBOW 90 ASSY.
24	726573	1	FITT. S67 5/4" 90° W/O-RING
25	726574	1	FITT.DK S67X90,1.5HB PRESSURE
26	726579	1	FITT. S67 PLUG W/O-RING
27	726695	1	FITTING S67 - BSP 1" + O-RING
28	727223	1	FITT.S67 1.5" STRAIT S W/ORING
29	727224	1	FITT.DK S67X90,1.5HB SUCTION
30	728526	1	FITT.DK S-67 CONNECT W/O-RINGS
31	728527	1	ADAPTER S67M TO S93M W/ORING
32	728561	1	FITT.DK. S67M - S53F REDUCER
33	728562	1	FITT.DK S-93 TO S67 ADAPTOR
34	728578	1	FITT.DK S-67X1-1/2"BSP LG W/O-RING
35	14012200	1	FITT.DK S-67 FORK W/M5 THREADS
36	33509700	1	FITT.DK S-67 45° 1-1/4"
37	72433000	1	FITT.S67 1" 45° W/O-RING
38	72433100	1	FITT.DK S-67 45° 1-1/4"W/ORING
39	72433200	1	FITT.S67 1-1/2" 45°PVC W/O-RING
40	72433400	1	FITT.S67 1-1/2" 45°BSP W/ORING



Pos.	parts-n°	order qty	description
1	145997	1	FITT.DK S-93 FORK
2	147115	1	FITT.DK S-93 FORK SPECIAL
3	147774	1	FITT.DK S-93 FORK W. M5 THREAD
4	241973	1	O-RING Ø3 X 44.2 70 SHORES NITRIL NITRIL (BLACK)
4	242353	1	O-RING 3 X 44.2 VITON VITON (BROWN)
5	242092	1	O-RING D69.5X3 NITRIL (BLACK)
5	242351	1	O-RING D69.5X3.0 VITON F.S-93 VITON (BROWN)
6	242221	1	GASKET F. S-93 QUICK COUPLERS
7	322105	1	FITT.DK S-93 BULKHEAD DOUBLE
8	322109	1	FITT.DK S-93 BULKHEAD NUT
9	322165	1	FITT.DK S-93 BULKHEAD SINGLE
10	334234	1	FITT.DK S-93 STR.2" RUBBER
11	334246	1	FITT.DK S-93 ELB.2" PVC
12	334262	1	GASKET F.S-93 BULKHEAD
13	334304	1	FITT.DK S-93 STR.1-1/2" PVC
14	334426	1	FITT.DK S-93 STR.2"
15	334545	1	FITT.DK S-93 TEE
16	334601	1	FITT.DK S-93 TO S67 ADAPTOR
17	334634	1	FITT.DK ADAPTER S-93M S67M
18	390485	1	FITT.DK S-93 PLUG W D34 HOLE
19	390721	1	FITT.DK S-93 PLUG W/2" NPT THRE
20	461217	1	NUT HEX M5 LOCK
21	726465	1	FITT.DK S-93 BULKHEAD W/GASKET
22	726563	1	FITT.DK S-93 STR 2" W/O-RING
23	726564	1	HOSE TAIL 2-1/2" W.O-RING
24	726575	1	FITT.DK S-93 ELB. 2" RUBBER
25	726576	1	FITT. DK S-93 2-1/2" 90°
26	726580	1	FITT. S93 PLUG W/O-RING
27	727133	1	FITT. S93 2-1/2" STR. S W/O-RI
28	727225	1	FITT.DK S-93 ELB.2'PVC W/ORING
29	727226	1	FITT. S93 2-1/2" 90° S W/O-RING
30	727227	1	FITT.DK S-93 STR.2" W/ORING
31	727235	1	QUICK COUPLER FEMALE W 1-1/2HB
32	727236	1	QUICK COUPLER FEMALE W 2" HB
33	727237	1	QUICK COUPLER FEMALE W2-1/2" HB
34	727339	1	FITT. S93 DRAIN BULKHEAD W/O-R
35	727476	1	FITT. DK S-93 2"FM THD W.ORING
36	727777	1	QUICK COUPLER S93 DRAIN W/O-RI
37	728120	1	QUICK COUPLER CAP F.S93 DRAIN
38	728395	1	FITT.DK S-93 ELB.1-1/2" 90 DEG
39	728523	1	FITT.DK S-93 STR.1-1/2" W.O-RING
40	728525	1	FITT. S93 CONNECTOR W/O-RINGS
41	728527	1	ADAPTER S67M TO S93M W/ORING
42	728562	1	FITT.DK S-93 TO S67 ADAPTOR
43	729828	1	FITT.DK S-93 ELB 2-1/2" RED
44	729829	1	FITT.DK S-93 ELB 2 RED
45	729830	1	FITT.DK S-93 ELB 1-1/2" 90 RED
46	39121700	1	FITT.DK S93 ADAP LG MALE MALE
47	72072700	1	FITT.DK S-93 45D 2" PVC
48	72072900	1	FITT. S93 2-1/2" 45° S W/O-RING



I.D.	PART # (ONE FOOT)	
3/8" 1/2" 3/4" 1" 1-1/4" 1-1/2"	92701703 92702103 92703203 92712403 92734403 92736503	 RUBBER HOSE
5/16" 3/8" 1/4" 1/2" 3/4"	927281 927284 927268 927269 927270	 PVC HOSE
1" 1-1/4" 1-1/2" 2" 2-1/2"	92702403 92738900 92702603 92702703 92702803	 PVC SPIRAL SUCTION HOSE, GRAY
3/4" 1-1/4"	927205 92703503	 CLEAR HOSE, SMOOTH
1/2" 3/4"	10631003 927231	 PVC HOSE, CLEAR, REINFORCED
4mm 6mm 8mm 10mm .25" .38"	927253 RED 927264 RED 927306 BLACK 927330 BLACK 92703303 BLACK 92703403 BLACK	 PVC AIR HOSE, SMOOTH

L0120



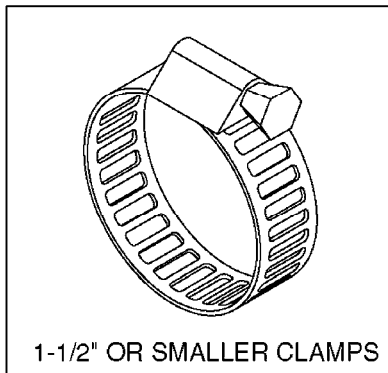
BULK HOSE
L0120-HIN, 17:10:19

Page 1
Date 07.02.2020 8:03

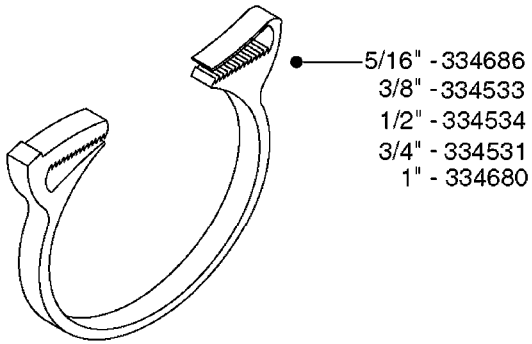
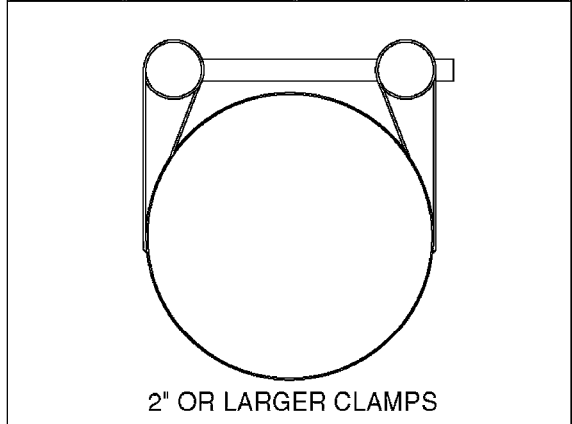
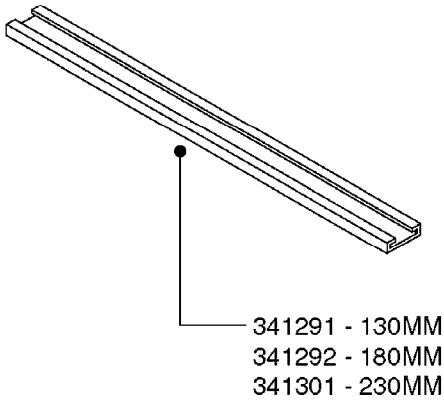
parts-n°	order qty	description
927205	1	HOSE R X CLEAR X 3/4 X 0012"
927231	1	HOSE R X PVCX3/4 CLR/BRD 0012"
927253	1	RED AIR HOSE, Ø4/2 1810 E
927264	1	HOSE R X PE D6/D4 X 0012"
927268	1	HOSE BLUE PVC X 1/4 X 0012"
927269	1	HOSE R X PVC X 1/2 X 0012"
927270	1	HOSE R X PVC X 3/4 X 0012"
927281	1	HOSE R X PVC X 5/16 X 0012"
927284	1	HOSE 3/8 PVC W/ INSERT
927306	1	HOSE R X PE D8/D6 X 0012"BLACK
927330	1	HOSE R X PE D10/D8 X 012"BLACK
10631003	1	HOSE R X CLEAR BRAID.X 1/2 12"
92701703	1	HOSE R X3/8" X300PSI WP X0012"
92702103	1	HOSE R X1/2" X300PSI WP X0012"
92702403	1	HOSE PVC SUCT GRAY 1"
92702603	1	HOSE PVC SUCT GRAY 1-1/2"
92702703	1	HOSE PVC SUCT GRAY 2"
92702803	1	HOSE PVC SUCT GRAY 2.5"
92703203	1	HOSE R X3/4" X300PSI WP X0012"
92703303	1	HOSE LLDPE .25"X.17"X12" BLACK
92703403	1	HOSE LLDPE .38"X.25"X12" BLACK
92703503	1	HOSE VINYL CLEAR 1-1/4" OD X 1" ID
92712403	1	HOSE R X1" X300PSI WP X0012"
92734403	1	HOSE R X5/4" X200PSI WP X0012"
92736503	1	HOSE R X1.5" X200PSI WP X0012"
92738900	1	HOSE R X PVC X 1-1/4" 0012"



HOSE CLAMPS
L0130-HIN, 16:10:19



Hose Size	Pressure	Suction	Clamp Code
5/16"	284582		-
3/8"	28044903		6706
1/2"	28029803		6708
3/4"	28029903		6712
1"	28030003	28029903	6716
1-1/4"	28030103		6724
1-1/2"		28030103	6724
2"		28030203	235-67
2-1/2"		28030303	235-74
3"		28030403	235-87



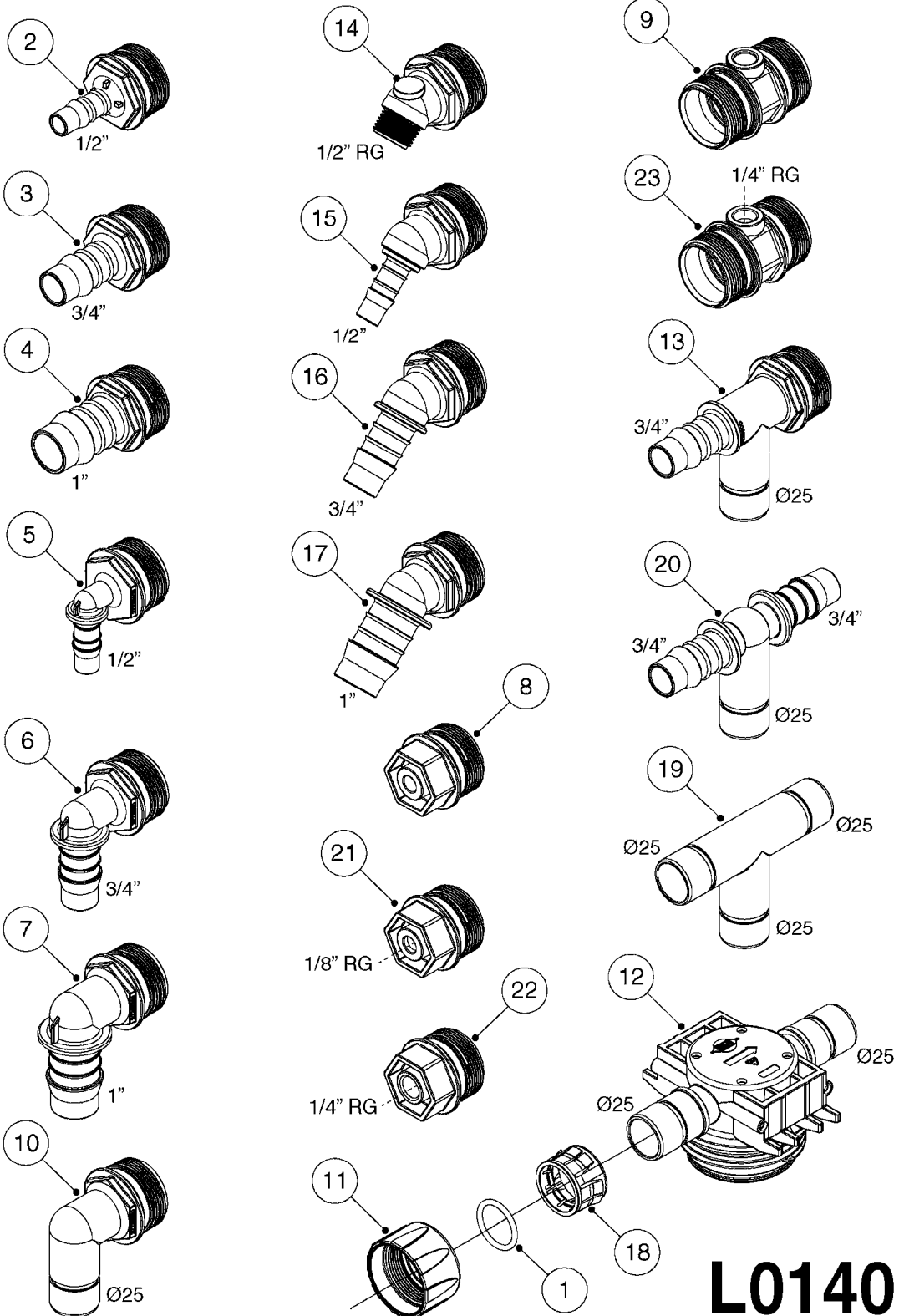
L0130



HOSE CLAMPS
L0130-HIN, 16:10:19

Page 1
Date 07.02.2020 8:03

parts-n°	order qty	description
284582	1	CLAMP HOSE GEAR - 5/16"
334531	1	CLAMP HOSE PLASTIC 3/4"
334533	1	CLAMP HOSE PLASTIC 3/8"
334534	1	CLAMP HOSE PLASTIC 1/2"
334680	1	CLAMP HOSE PLASTIC 1"
334686	1	CLAMP HOSE PLASTIC 5/16"
341291	1	RUBBER HOSE CLAMP COVER 130MM
341292	1	RUBBER HOSE CLAMP COVER 180MM
341301	1	RUBBER HOSE CLAMP COVER 230MM
28029803	1	CLAMP HOSE GEAR P1/2" 6708
28029903	1	CLAMP HOSE GEAR P3/4"-S1" 6712
28030003	1	CLAMP HOSE GEAR P1" 6716
28030103	1	CLAMP HOSE GEAR P5/4-S1.5" 6724
28030203	1	CLAMP HOSE T-BOLT S2" 235-67
28030303	1	CLAMP HOSE T-BOLT S2.5" 235-76
28030403	1	CLAMP HOSE T-BOLT S3" 235-82
28044903	1	CLAMP HOSE GEAR P3/8" 6706



L0140

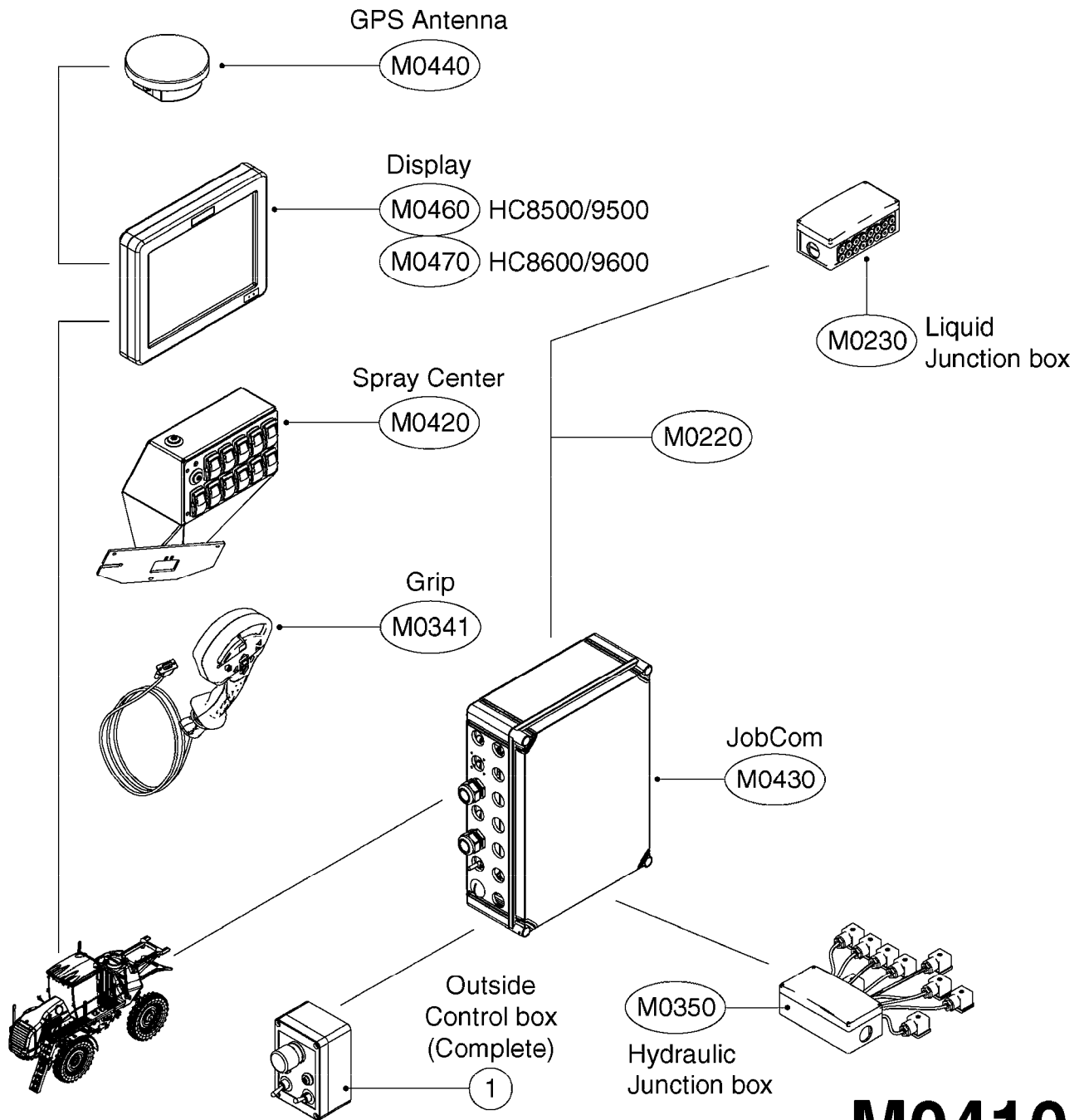


FITTINGS - T25
L0140-HIN, 01:01:16

Page 1

Date 07.02.2020 8:03

Pos.	parts-n°	order qty	description
1	24263000	1	O-RING Ø24.4 X 3.1 NITRIL SH70
2	32238700	1	FITT.DK HB 1/2" ST T25
3	32238800	1	FITT.DK HB 3/4" STR T25
4	32238900	1	FITT.DK HB 1" ST T25
5	32239000	1	FITT.DK HB 1/2" 90° T25
6	32239100	1	FITT.DK HB 3/4" 90° T25
7	32239200	1	FITT.DK HB 1" 90° T25
8	32239300	1	FITT.DK CAP T25
9	32239500	1	FITT.DK UNION CONNECTOR T25
10	32239600	1	FITT.DK HB ANGLE 90° T25
11	32239700	1	FITT.DK NUT T25
12	32239800	1	FITT.DK IN-LINE FILTER TOP T25
13	32239900	1	FITT.DK TEE 3/4" HB Ø25 T25
14	32240000	1	FITT.DK 1/2" RG 45° T25
15	32240100	1	FITT.DK HB 1/2" 45° T25
16	32240200	1	FITT.DK HB 3/4" 45° T25
17	32240300	1	FITT.DK HB 1" 45° T25
18	33515500	1	FITT.DK NUT LOCK RING T25
19	33516100	1	FITT.DK TEE 3 X Ø25 T25
20	33516200	1	FITT.DK TEE 3/4" HB-Ø25 T25
21	39125500	1	FITT.DK CAP 1/8" RG T25
22	39125600	1	FITT.DK CAP 1/4" RG T25
23	39128700	1	FITT.DK CONNECTOR 1/4" RG T25



M0410

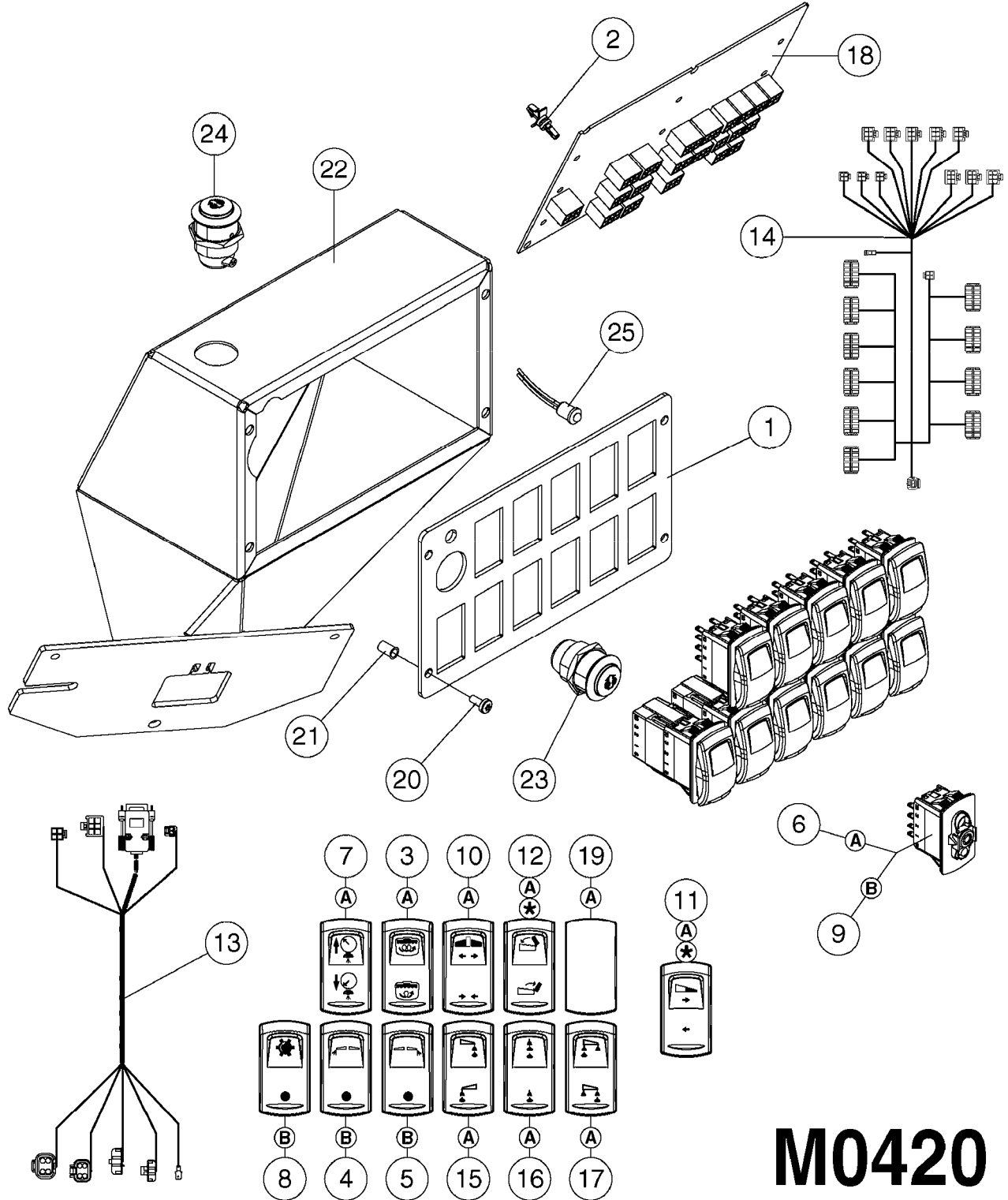


SYSTEM OVERVIEW PRESIDIO
M0410-HIN, 12:12:16

Page 1

Date 07.02.2020 8:03

Pos.	parts-n°	order qty	description
1	26031703	1	OUTSIDE CONTROL BOX ASSEMBLY, PR2700



M0420

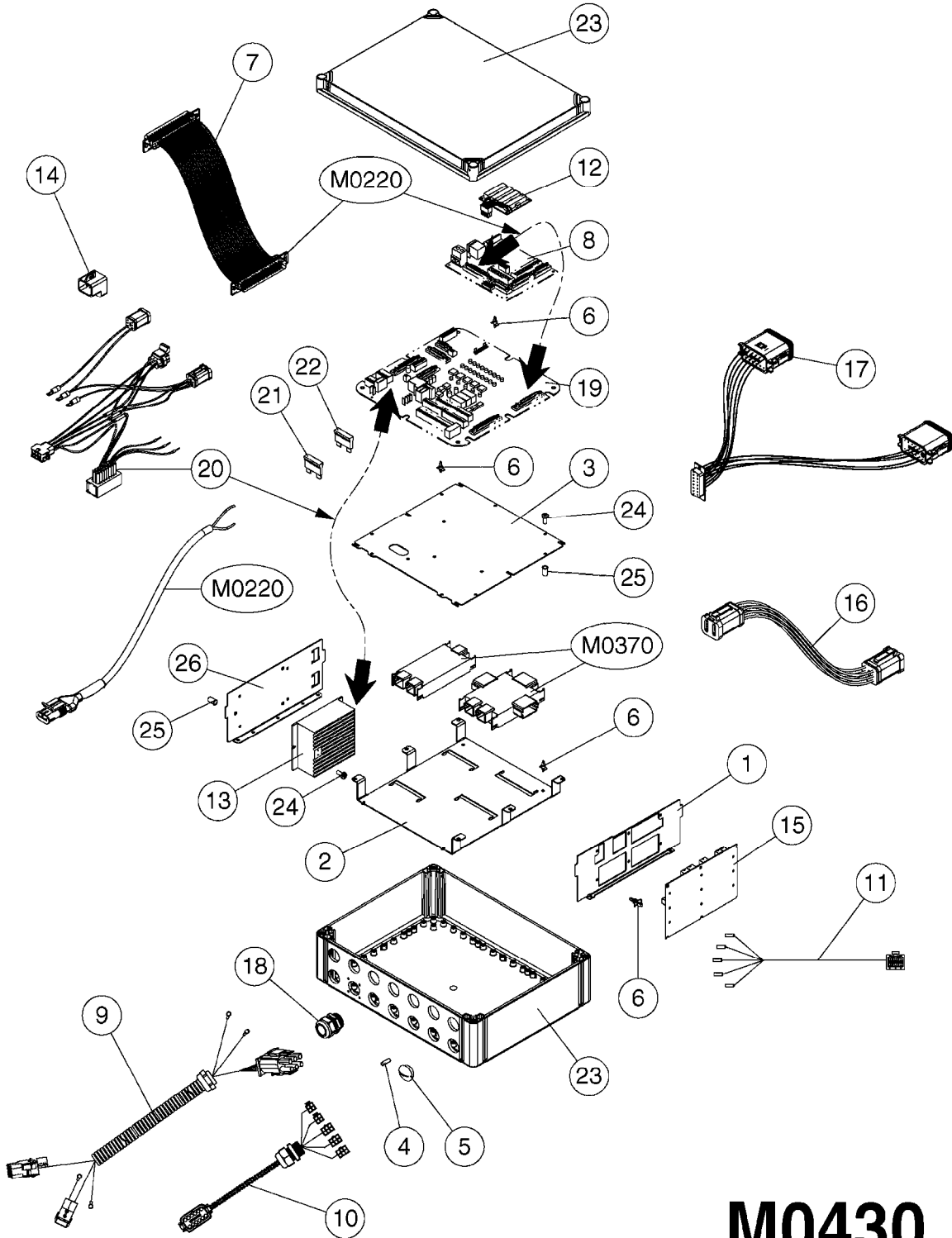


SPRAY CENTER PRESIDIO
M0420-HIN, 21:07:16

Page 1

Date 07.02.2020 8:03

Pos.	parts-n°	order qty	description
1	16178003	1	FRONT COVER, SPRAY CENTER, PR2700
2	26005100	1	CONNECTOR FOR PCB, PLASTIC
3	26014001	1	AGITATION SWITCH ACTUATOR
4	26014401	1	LEFT END NOZZLE SWITCH ACTUATOR
5	26014501	1	RIGHT END NOZZLE SWITCH ACTUATOR
6	26015801	1	ROCKER SWITCH MOM-OFF-MOM GREEN-GREEN LED
7	26017801	1	REGULATION PUMP +/- SWITCH ACTUATOR
8	26017901	1	PUMP CONTROL SWITCH ACTUATOR
9	26019501	1	ROCKER SWITCH MOM-OFF-MOM GREEN-RED LED
10	26021401	1	SIMULTANEOUS 1ST SECTION SWITCH ACTUATOR
11	26021601	1	RIGHT 2ND SECTION SWITCH ACTUATOR USED WITH TR4 BOOM
12	26022001	1	UN/FOLD LAST BOOM SECTION SWITCH ACTUATOR USED WITH SPC BOOM
13	26029903	1	SPRAY CENTER/GRIP INTERFACE, PR2700
14	26030003	1	HARNESS, SWITCH/PCB, PR2700
15	26032003	1	SWITCH COVER FOAM L/R
16	26032103	1	SWITCH COVER FOAM +/-
17	26032203	1	SWITCH COVER FOAM IN/OUT
18	26035100	1	HC 6401 PCBA ISO HW 2.1
19	28091603	1	CAVITY PLUG FOR ROCKER SWITCH
20	41108300	1	BOLT, M4X10 BN5687 TORX, SS
21	48081900	1	POP-NUT M4 RST 0.5-3.0 OPEN 24M04KV01
22	63043203	1	SPRAY CENTER HOUSING, PR2700
23	76008301	1	PUSHBUTTON, RD, AUTO REG., ASM, SARITOR
24	76008401	1	PUSHBUTTON, RD, POWER JOBCOM, ASM, SARITOR
25	76008901	1	LED, RED, ON JOBCOM, ASM, SARITOR



M0430



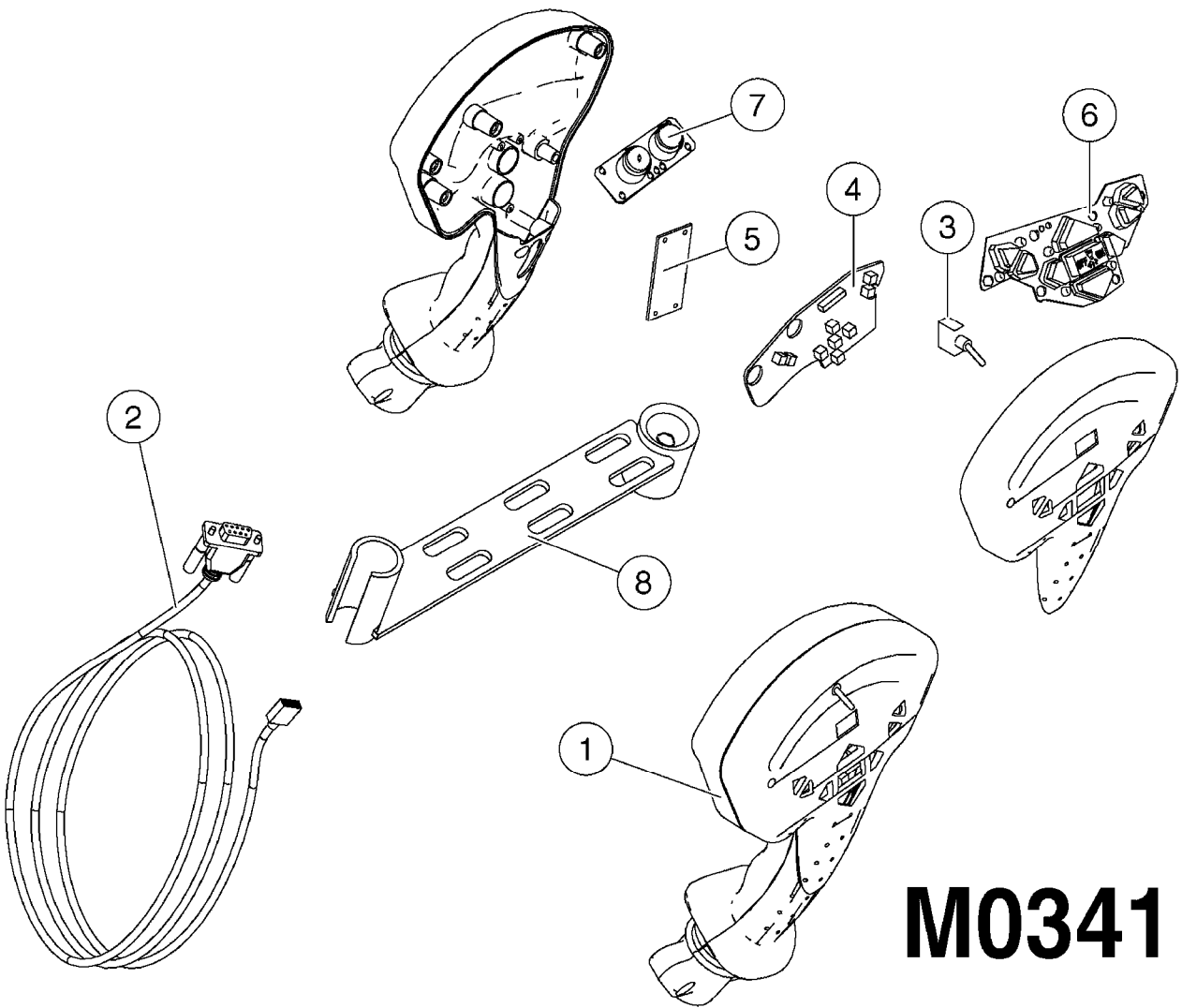
JOB COM PRESIDIO
M0430-HIN, 26:07:16

Page 1
Date 07.02.2020 8:03

Pos.	parts-n°	order qty	description
1	16178503	1	MOUNT PLATE, 6401 PCB, JC HW3.X
2	16439100	1	BRACKET, INNER, JC HW 3.X
3	16439200	1	PLATE, JOBCOM MOUNT, JC HW3.X
4	25197500	1	PLUG Ø6x18MM NITRIL
5	26004600	1	PLUG F.DRILLED HOLE 21MM
6	26005100	1	CONNECTOR FOR PCB, PLASTIC
7	26005900	1	WIRE 37/37 POLE DAH/JOBCOM
8	26029200	1	DAH PCB F. JOBCOM NCM '09
9	26030103	1	CABLE, ISO/POWER, CAB-JC, PR2700
10	26030703	1	OUTSIDE BOX INTERFACE HARNESS, PR2700
11	26030803	1	JOBCOM/HC6401 PCB INTERFACE, PR2700
12	26031100	1	PCB ASSY. FOR NORAC INTERFACE
13	26031200	1	C2C ISOBUS BRIDGE 16PIN STW
14	26032700	1	ACTIVE ISOBUS TERMINATOR
15	26035100	1	HC 6401 PCBA ISO HW 2.1
16	26039100	1	CABLE, DT06 6P FEMALE L=300MM
17	26039300	1	CABLE, DAH UC5 INPUT MODULE
18	26039700	1	BULKHEAD F.CABLE PG21 6X6.0
19	26042200	1	JOBCOM PCB ASSY HW3.0
20	26052500	1	CABLE, ISO SP JC-C2C-UC5, HW3.X
21	28048500	1	FUSE 10A ATOF SERIES
22	28048600	1	FULE 15A ATOF SERIES
23	39134200	1	BOX COMPL. 300X400X135 DRILLED
24	41108300	1	BOLT, M4X10 BN5687 TORX, SS
25	48081900	1	POP-NUT M4 RST 0.5-3.0 OPEN 24M04KV01
26	63146300	1	C2C/PF PWR BRACKET W.M4 NUTS



HC6301 GRIP ISO
M0341-HIN, 26:07:16



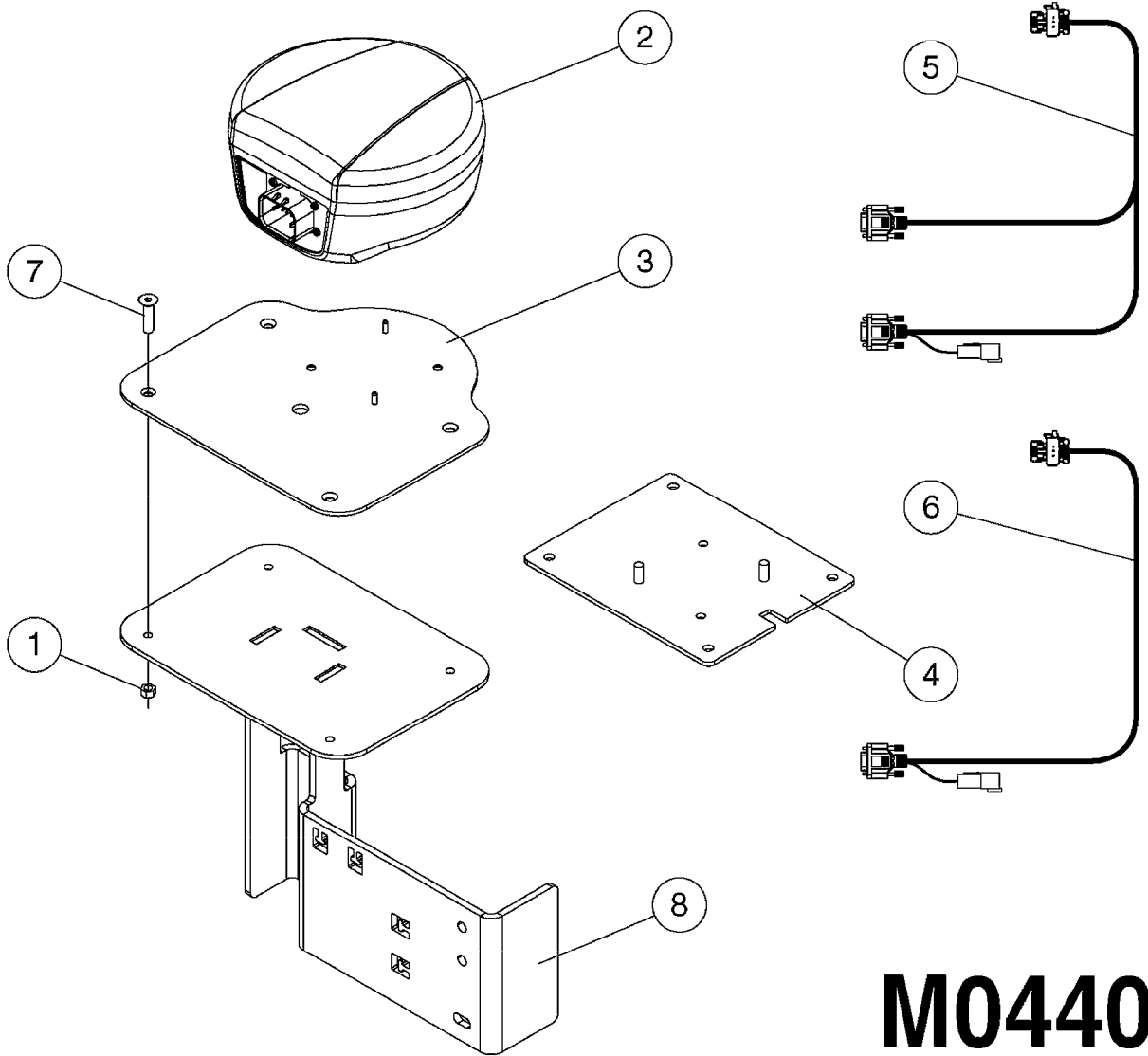
M0341



HC6301 GRIP ISO
M0341-HIN, 26:07:16

Page 1
Date 07.02.2020 8:03

Pos.	parts-n°	order qty	description
1	26057100	1	HC6301 GRIP 3 ISO
1	26032900	1	HC 6301 GRIP 4 ISO
1	26036600	1	HC 6301 GRIP 5 ISO
1	26033000	1	HC 6301 GRIP 6 ISO
1	26033100	1	HC 6301 GRIP 7 ISO
1	26033200	1	HC 6301 GRIP 8 ISO
1	26033300	1	HC 6301 GRIP 9 ISO
1	26034800	1	HC 6301 GRIP 10 ISO
1	26037000	1	HC6301 GRIP 11 ISO
1	26036300	1	HC 6301 GRIP 12 ISO
1	26033400	1	HC 6301 GRIP 13 ISO
2	26033500	1	CABLE HC6300 DB9 GRIP
3	26025400	1	SWITCH FOR HC6300 GRIP SECTION
4	26025600	1	PRINT HY CTRL FOR HC6300 GRIP
5	26025700	1	PRINT TWIN FOR HC6300 GRIP
6	28030000	1	GRIP, 9 SILICONE BUTTONS YELLOW
7	28030200	1	GRIP, 2 SILICONE BUTTONS BLACK
8	63051800	1	HOLDER FOR HC6300 GRIP





GPS 6000/6500 ANTENNA
M0440-HIN, 25:07:16

Page 1

Date 07.02.2020 8:03

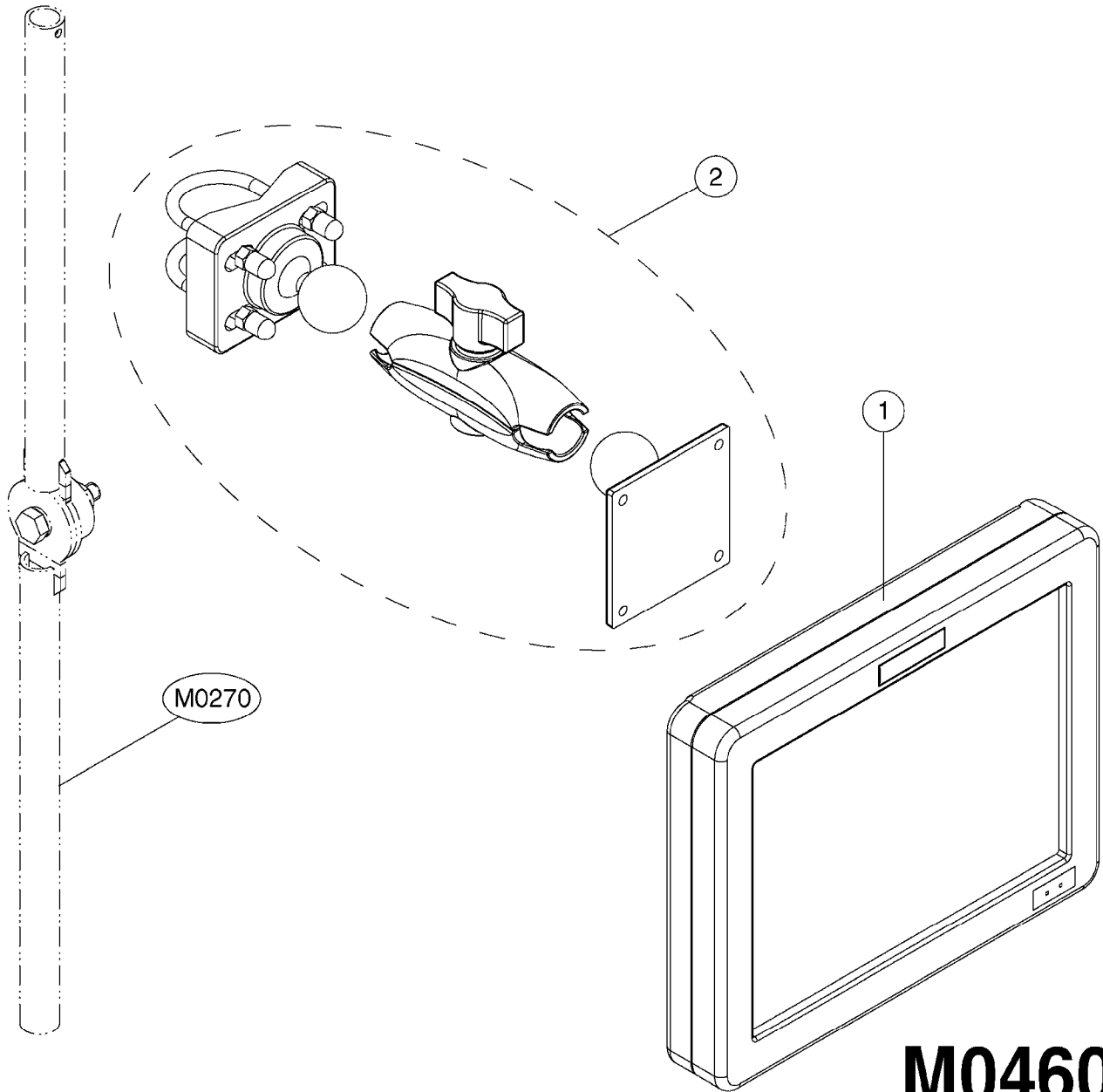
Pos.	parts-n°	order qty	description
1	461217	1	NUT HEX M5 LOCK
2	26063700	1	GPS 6000 ANTENNA + HARNESS
2	26063800	1	GPS 6500 RECEIVER
3	26066300	1	ANTENNA 6500 BRACKET INCLUDED WITH 6500 RECEIVER
4	26066400	1	Bracket Kit GPS 6000 INCLUDED WITH 6000 RECEIVER
5	26066500	1	ANTENNA CABLE 6000/6500 DUAL PORT
6	26066600	1	ANTENNA CABLE GPS 6000/6500 SINGLE PORT
7	45000501	1	SCREW, HEX SOCKET M5-16 SST A2 DIN7991
8	61024603	1	GPS RECEIVER MNT 2015, PRSIDIO, GRAY PRESIDIO ONLY



HC8500/9500 DISPLAY
M0460-HIN, 06:12:16

Page 0

Date 07.02.2020 8:03



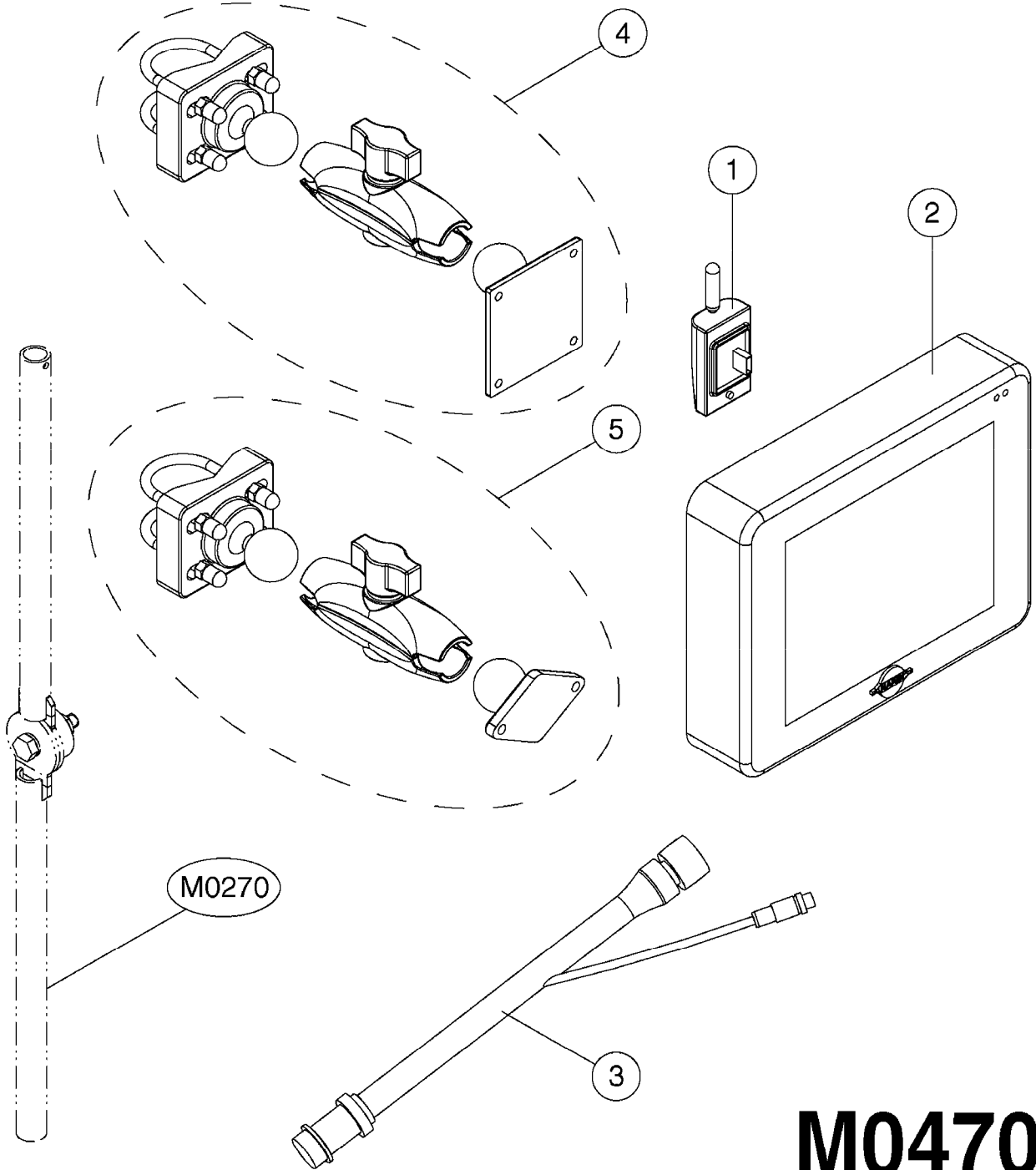


HC8500/9500 DISPLAY
M0460-HIN, 06:12:16

Page 1

Date 07.02.2020 8:03

Pos.	parts-n°	order qty	description
1	26037900	1	HC9500 DISPLAY KIT
1	26047600	1	HC8500 DISPLAY KIT
2	72802400	1	RAM MOUNT KIT W/5" ARM STD BASE



M0470



HC8600/9600 DISPLAY
M0470-HIN, 06:12:16

Page 1

Date 07.02.2020 8:03

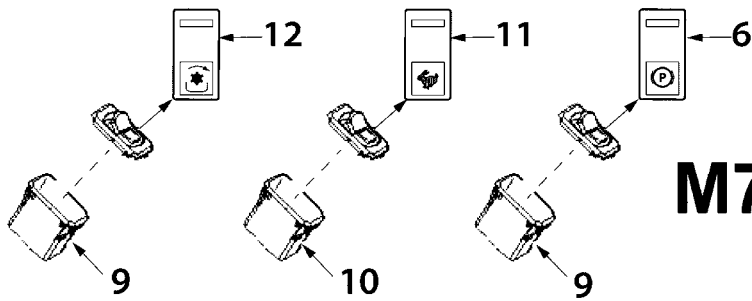
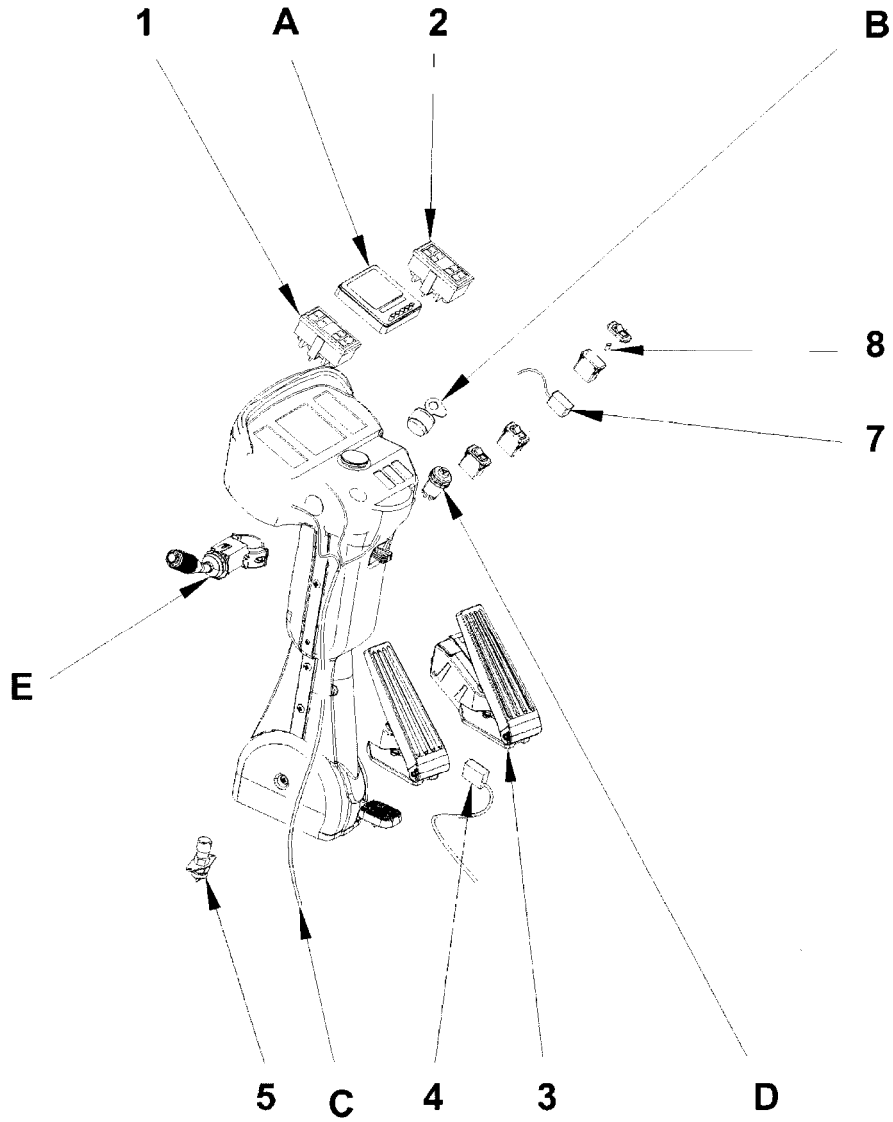
Pos.	parts-n°	order qty	description
1	26066000	1	AGFINITI USB WI-FI ADAPTER KIT
2	26068600	1	DISPLAY KIT- HC 8600
2	26069600	1	DISPLAY KIT- HC 9600
3	26069300	1	HC9600/8600 to Legacy Adapter
4	72802400	1	RAM MOUNT KIT W/5" ARM STD BASE USE WITH 9600 DISPLAY
5	73156900	1	RAM MOUNT KIT W/5" ARM DIAMOND BASE USE WITH 8600 DISPLAY



COMMON SENSORS AND BRACKETS
M0130-HIN, 12:12:16

Page 1
Date 07.02.2020 8:03

Pos.	parts-n°	order qty	description
1	242354	1	O-RING D32.2X3.0 VITON
2	285855	1	SENSOR INDUCTIVE M18 W/WIRE
3	430286	1	BOLT HEX 8.8 DEL M12X30 FT
4	430870	1	BOLT HEX 8.8 DEL M12X55 FT
5	440695	1	BOLT CARRIAGE M8X25
6	460143	1	SELF LOCK NUT M8 SST A2 DIN985
7	460386	1	NUT HEX M12X1.75
8	460703	1	NUT HEX M12X1.75 LOCK DIN985A2 SS
9	470466	1	WASHER D21.1/D12.2X2.5 LOCK
10	471127	1	WASHER, M12, Ø24/13X24X2.5 SS
11	480804	1	RIVET Ø4.8x14.5
12	16020300	1	BRACKET FOR SPEED SENSOR
13	16094703	1	WHEEL SENSOR MT BKT
13	16182403	1	BRACKET, SPEED RING, PRESIDIO
14	16138203	1	SPEED SENSOR RING NCM 2009 1/3
15	16138403	1	PLATE F. SPEED SENSOR
16	16182303	1	BRACKET, SPEED SENSOR, PR
17	26006100	1	CABLE L = 5.00M, AMP, MALE, 3P
18	26007100	1	CABLE L = 9.00M, AMP, MALE, 3P
19	28047500	1	INDUCTIV SENSOR M12 L1M
20	61000603	1	SPEED SNS MNT CLAMP F/DLS 4.5"
21	61010703	1	SPEED SENSOR BKT NCM NON-S OLD
22	61015803	1	SPEED SENSOR BKT NCM 2010
23	72050100	1	TWIN RPM SENSOR HN
24	72534000	1	TANK LEVEL ELEC SENSOR KIT 9M



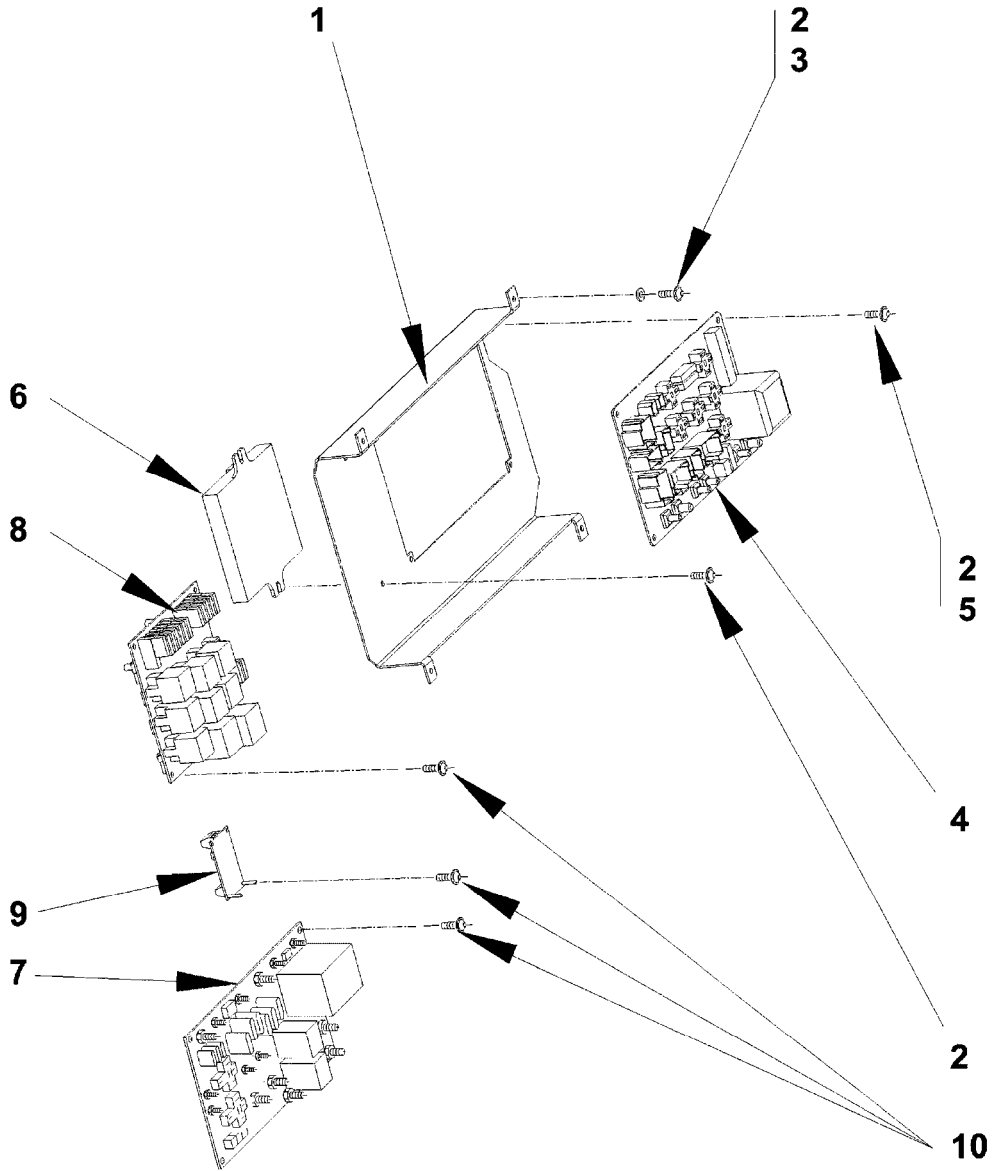
M700-HAU



PRESIDIO STEERINGCOLUMN WIRING
M700-HAU, 14:06:16

Page 1
Date 07.02.2020 8:03

Pos.	parts-n°	order qty	description
1	PR-EA0876	1	GREEN BLOCK 4 LIGHTS AND DIESEL GAUGE
2	PR-EA0875	1	GREEN BLOCK 8 LIGHTS: flashes D / G-pr
3	PR-XX0148	1	ACCEL PEDAL FLOOR
5	PR-EA0614	1	FOOT SWITCH 12V
6	PR-CA0130-09	1	BUTTON PARK BRAKE
7	PR-CA0130-29	1	CONNECTOR FOR SWITCH
8	PR-EA0257.01	1	BULB FOR SWITCH PR-EA0258
9	PR-CA0130-08	1	SWITCH 2-POLE
10	PR-EA0258	1	SWITCH CONTROL SPEED 3 POLE
11	PR-CA0130-15	1	BUTTON CONTROL SPEED GREEN BACKGROUND
12	PR-CA0130-12	1	BUTTON PTO
A	PR-MA0250	1	DISPLAY TCD2012
B	PR-CA0190-02	1	KEY SWITCH PR4240/324
C	PR-EA0604-04	1	HARNES STEER COLUMN BEAM
D	PR-EA0036	1	ROUND BUTTON WARNING 6HF003916011
E	PR-CA0190-01	1	STALK FOR PR4240/3240



M701-HAU

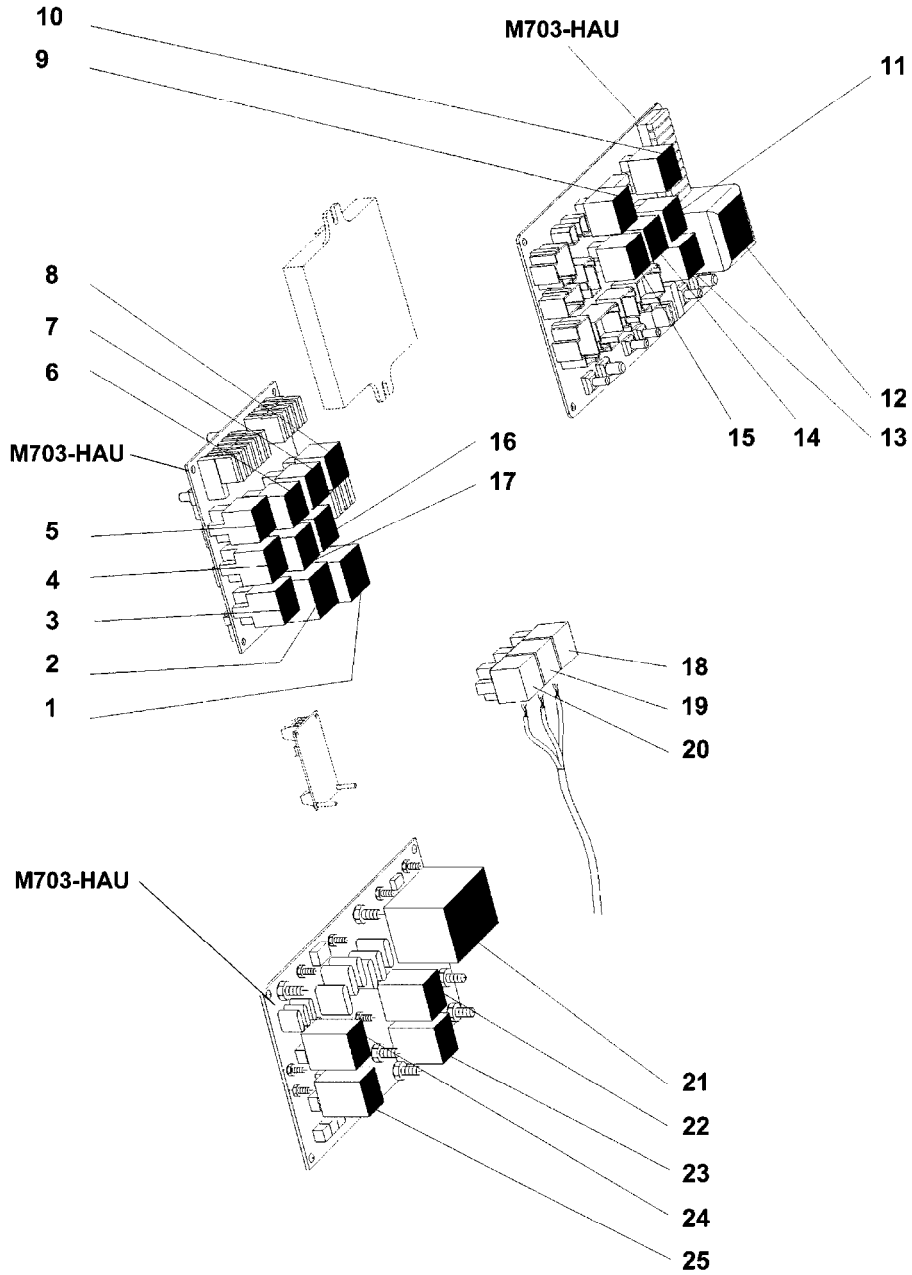


PRESIDIO ELEC.COMP. RIGHT SIDE
M701-HAU, 11:01:16

Page 1

Date 07.02.2020 8:03

Pos.	parts-n°	order qty	description
1	PR-FEPR25080	1	SUPPORT XX0014 PR2540
2	PR-DB4644004020	1	SCREW BHC M4X20 A2 SS
3	PR-DS1504004	1	WASHER DECOL. 0.8 M 4X10X0 SS
4	PR-EA0563	1	PCB, MACHINE, EA0563, PRESIDIO
5	PR-DB8444004	1	RING NYLON NUT M 4 INOX
6	PR-XX0014	1	CARD FOR NEX ELEC ADVANCED MANIP
7	PR-EA0561	1	CARD POWER QUIP WITH AGRI
8	PR-EA0555	1	CAB CARD EQUIP WITH AGRI
9	PR-XX0013	1	PR2540 CARD FREQUENCY DIVISION
10	PR-DB5222004012	1	SCREW RHC Class 8.8 M 4X 12 Zn



M702-HAU

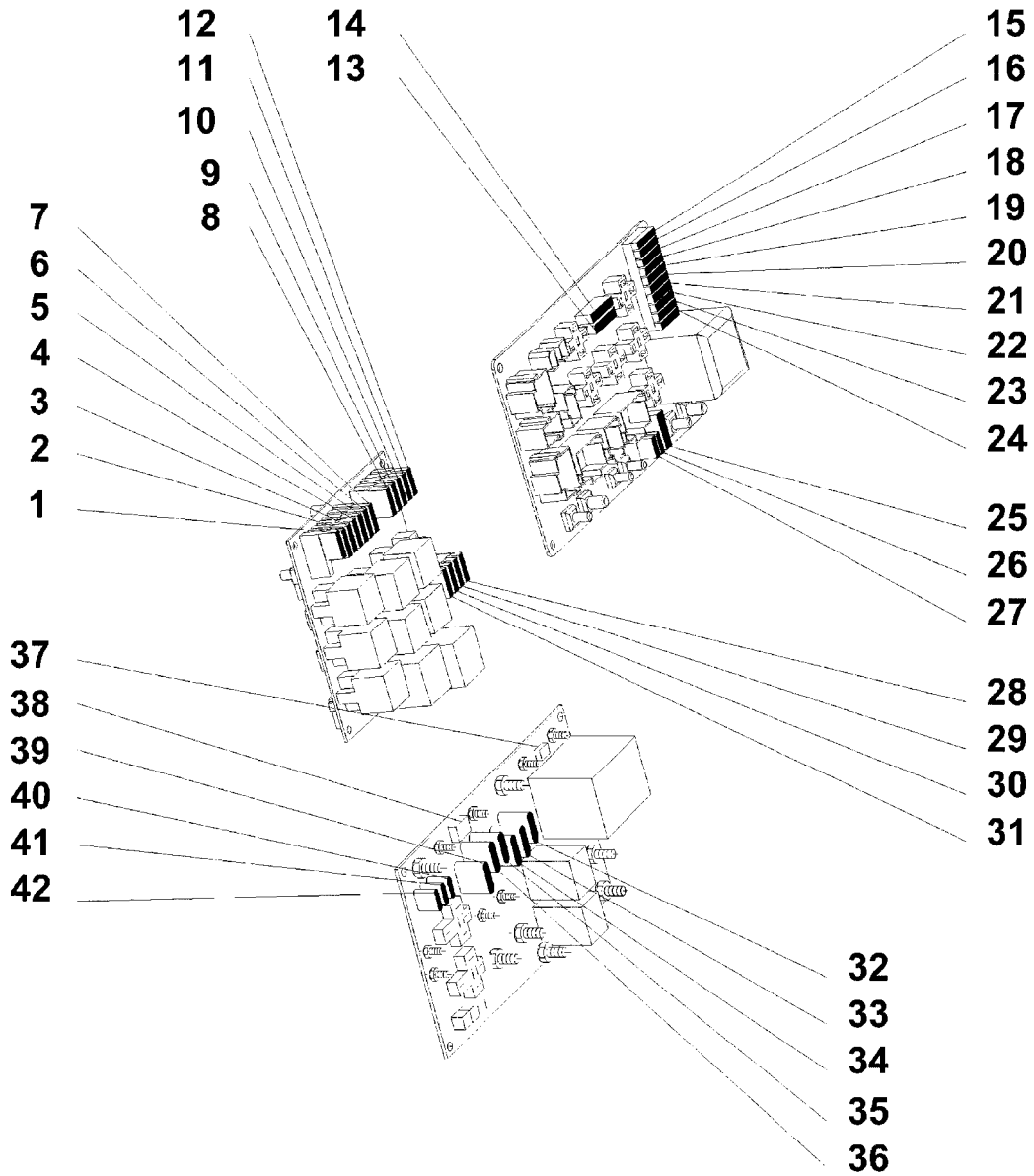


PRESIDIO RELAYS PRINTED CIRC.
M702-HAU, 11:01:16

Page 1

Date 07.02.2020 8:03

Pos.	parts-n°	order qty	description
1	PR-EA0298	1	RELAY
2	PR-EA0297	1	RELAY
3	PR-EA0291	1	RELAY
4	PR-EA0291	1	RELAY
5	PR-EA0291	1	RELAY
6	PR-EA0291	1	RELAY
7	PR-EA0291	1	RELAY
8	PR-EA0291	1	RELAY
9	PR-EA0294	1	RELAY CENTRAL FLASHING
10	PR-EA0291	1	RELAY
11	PR-EA1112	1	RELAY
12	PR-EA0296	1	RELAY 12V 120A
13	PR-EA0291	1	RELAY
14	PR-EA0291	1	RELAY
15	PR-EA0291	1	RELAY
16	PR-EA0291	1	RELAY
17	PR-EA0291	1	RELAY
18	PR-EA0033	1	RELAY 12V Inverter
19	PR-EA0033	1	RELAY 12V Inverter
20	PR-EA0295	1	TELERUPTOR
21	PR-EA0296	1	RELAY 12V 120A
22	PR-EA0292	1	RELAY
23	PR-EA0292	1	RELAY
24	PR-EA0291	1	RELAY
25	PR-EA0291	1	RELAY



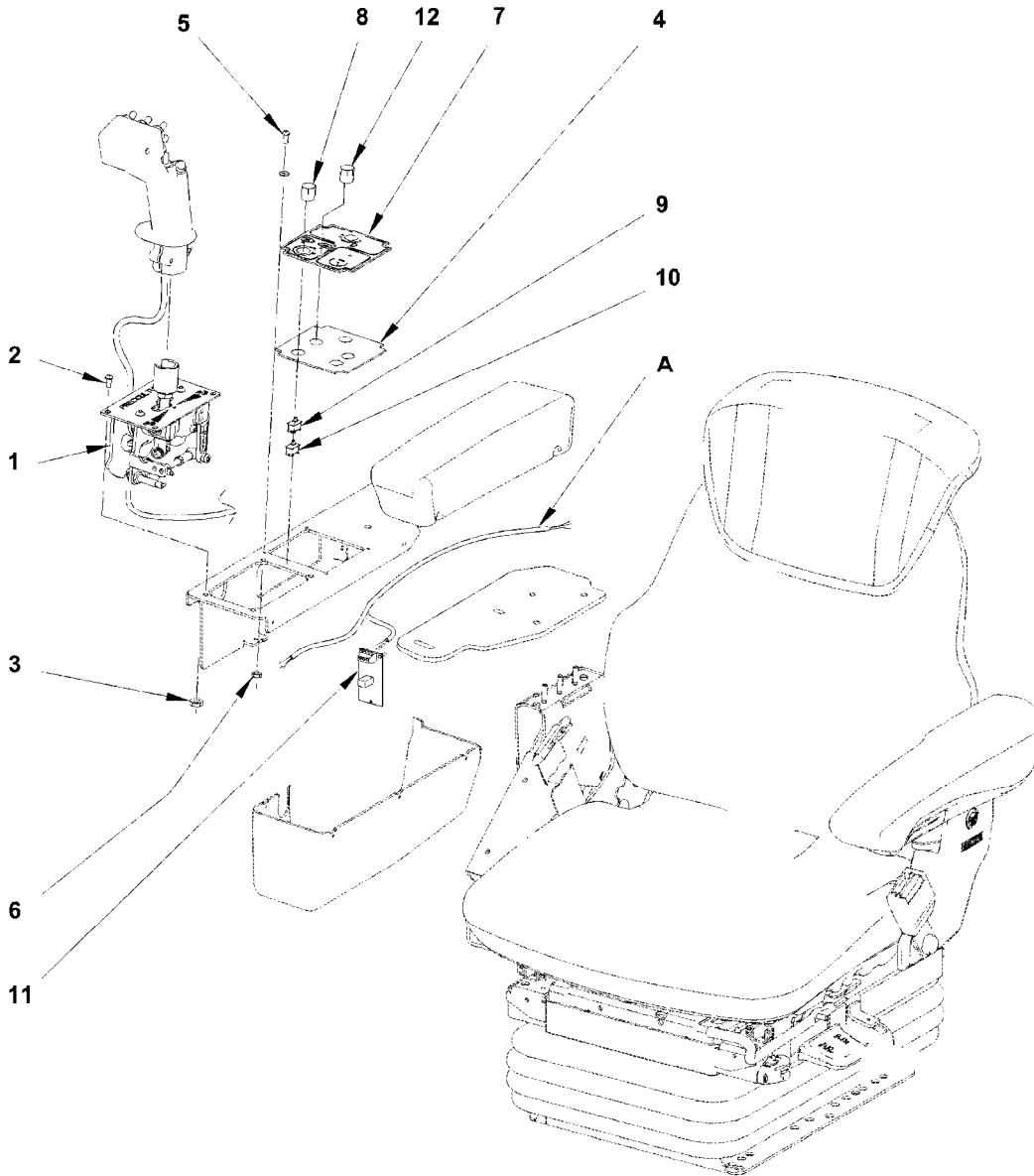
M703-HAU



PRESIDIO FUSES IN SIDE
M703-HAU, 11:01:16

Page 1
Date 07.02.2020 8:03

Pos.	parts-n°	order qty	description
1	PR-EA0115	1	FUSE BLADE 7.5 AMP
2	PR-EA0289	1	BLADE FUSE 30 AMP
3	PR-EA0116	1	BLADE FUSE 15 AMP
4	PR-EA0116	1	BLADE FUSE 15 AMP
5	PR-EA0116	1	BLADE FUSE 15 AMP
6	PR-EA0114	1	BLADE FUSE 10 AMP
7	PR-EA0117	1	BLADE FUSE 20 AMP
8	PR-EA0117	1	BLADE FUSE 20 AMP
9	PR-EA0116	1	BLADE FUSE 15 AMP
10	PR-EA0116	1	BLADE FUSE 15 AMP
11	PR-EA0115	1	FUSE BLADE 7.5 AMP
12	PR-EA0115	1	FUSE BLADE 7.5 AMP
13	PR-EA0117	1	BLADE FUSE 20 AMP
14	PR-EA0117	1	BLADE FUSE 20 AMP
15	PR-EA0342	1	U.S. MINI FUSE 15 AMP BLUE
16	PR-EA0342	1	U.S. MINI FUSE 15 AMP BLUE
17	PR-EA0337	1	FUSE MINI GREY U.S. 2AMP BY 50
18	PR-EA0342	1	U.S. MINI FUSE 15 AMP BLUE
19	PR-EA0338	1	U.S. FUSE MINI PURPLE 3 AMP
20	PR-EA0337	1	FUSE MINI GREY U.S. 2AMP BY 50
21	PR-EA0341	1	U.S. MINI FUSE 10 AMP RED
22	PR-EA0341	1	U.S. MINI FUSE 10 AMP RED
23	PR-EA0342	1	U.S. MINI FUSE 15 AMP BLUE
24	PR-EA0342	1	U.S. MINI FUSE 15 AMP BLUE
25	PR-EA0289	1	BLADE FUSE 30 AMP
26	PR-EA0339	1	U.S. MINI FUSE 5 AMP BEIGE
27	PR-EA0341	1	U.S. MINI FUSE 10 AMP RED
28	PR-EA0288	1	BLADE FUSE 2 AMP
29	PR-EA0119	1	BLADE FUSE 5 AMP
30	PR-EA0116	1	BLADE FUSE 15 AMP
31	PR-EA0116	1	BLADE FUSE 15 AMP
32	PR-EA0803	1	FUSE 70 AMP
33	PR-EA0803	1	FUSE 70 AMP
34	PR-EA0803	1	FUSE 70 AMP
35	PR-EA0937	1	FUSE 40 A PR32/4240
36	PR-EA0937	1	FUSE 40 A PR32/4240
37	PR-EA0948	1	FUSE 125A MEGA
38	PR-EA0929	1	FUSE MEGA 250A ROSE
39	PR-EA0937	1	FUSE 40 A PR32/4240
40	PR-EA0118	1	BLADE FUSE 25 AMP
41	PR-EA0118	1	BLADE FUSE 25 AMP
42	PR-EA0119	1	BLADE FUSE 5 AMP



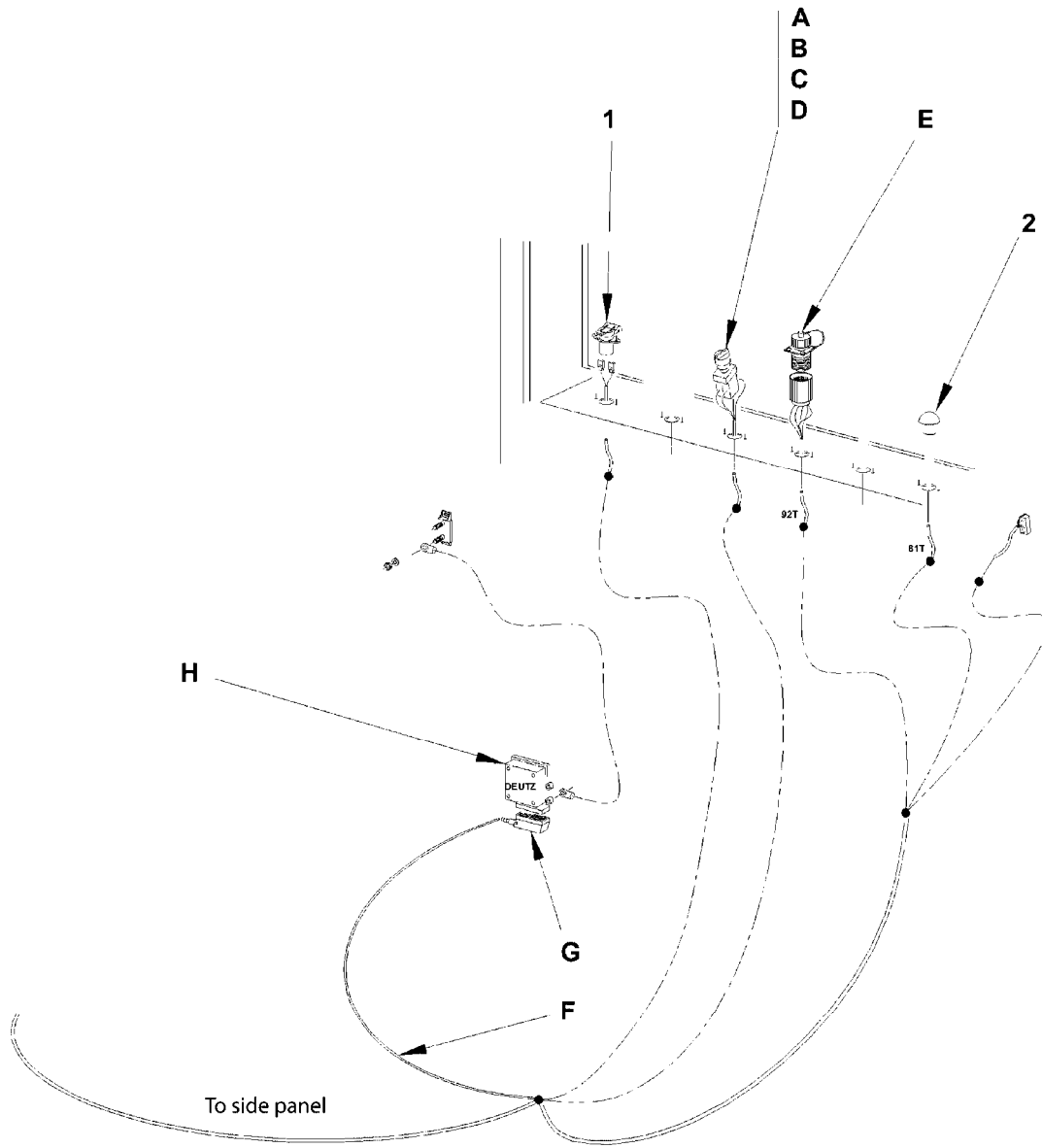
M704-HAU



PRESIDIO WIRING HARNESS CONS.
M704-HAU, 11:01:16

Page 1
Date 07.02.2020 8:03

Pos.	parts-n°	order qty	description
1	PR-XX0299	1	MANIPULATOR
2	PR-DB5224006020	1	RHC SCREW M 6X20 STEEL BY 100
3	PR-DB8444006	1	RING NYLON NUT M6 INOX
4	PR-FEPR32064	1	SMALL PLATE ARMREST
5	PR-DB4632003020	1	SCREW BHC M3X20 CLASS 10.9 SS
6	PR-DB9544003	1	NUT SERPRESS "M 3 stainless"
7	PR-DE0157	1	DECAL - ENGINE THROTTLE
8	PR-EA1020	1	BUTTON HEAD 2 pos. fixed ZB6AD28
9	PR-EA1007	1	BASE ZB6Y009 + ON/OFF SWITCH
10	PR-EA1008	1	ROTARY ELECTRIC CONTROL
11	PR-XX0010	1	ACCELERATION OF THERMAL MODULE
12	PR-EA1006	1	HEADER 3POS BUTTON. fixed ZB6AD23
A	PR-EA0604-05	1	HARNESS ARM REST



M705-HAU

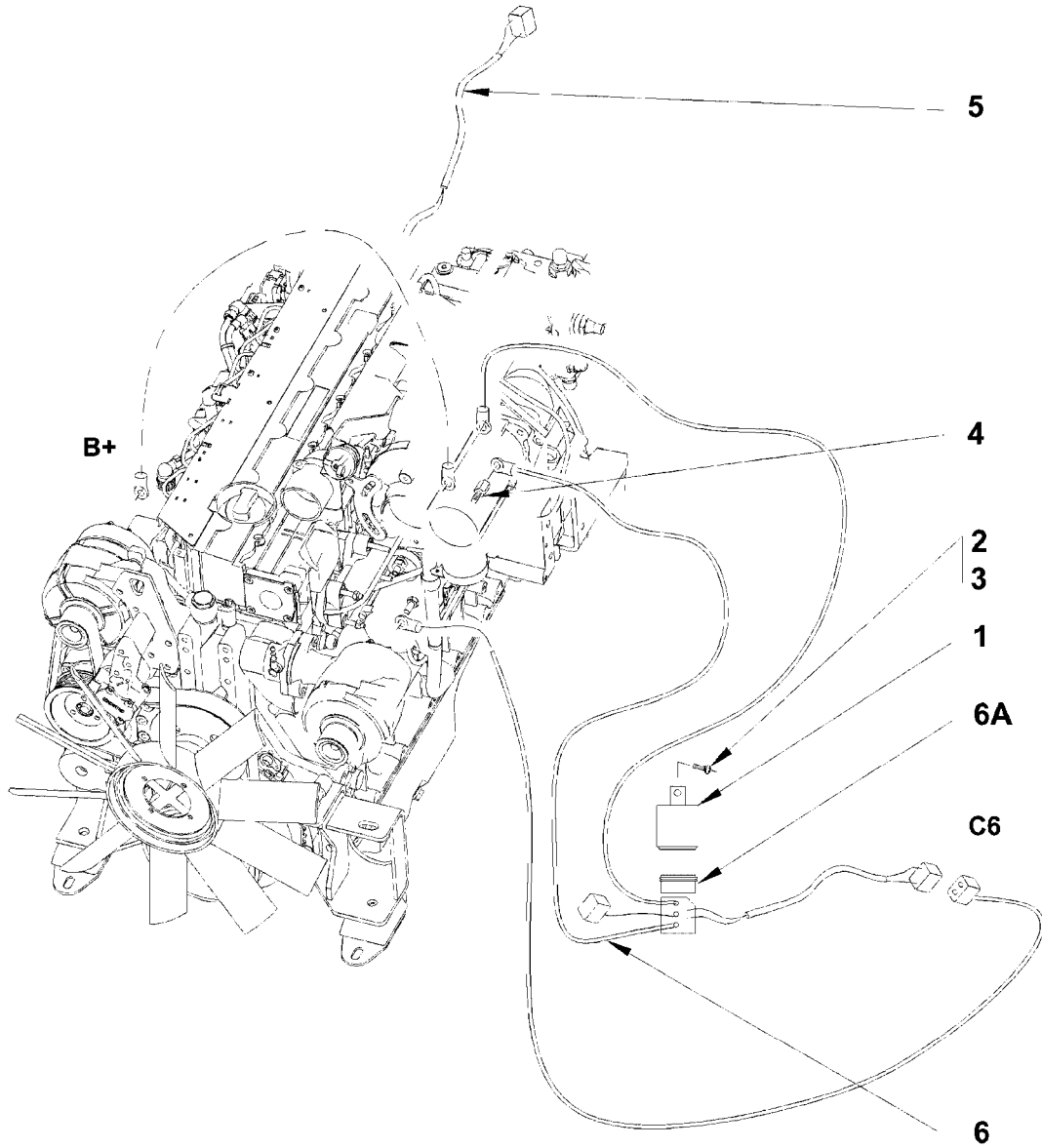


PRESIDIO ELECTRICAL CONSOLE
M705-HAU, 11:01:16

Page 1

Date 07.02.2020 8:03

Pos.	parts-n°	order qty	description
1	PR-EA0003	1	SOCKET DIN 9680 (FEMALE)
2	PR-DD0180	1	RUBBER CAP ROUND BLACK 25
A	PR-EA0935	1	TURNING GREEN BUTTON 2 POSN
B	PR-EA0936	1	LIGHT BUTTON EA0935
C	PR-EA0107-01	1	ELECTRIC ELEMENT (NO)
D	PR-EA0108	1	ELECTRIC ELEMENT (NC)
E	PR-MA0255	1	ENGINE DIAG.PORT TCD2012
F	PR-EA0645	1	BEAM COMPUTER PR2540 2RD
H	PR-XX0206	1	HOUSING ENGINE CONTROL ECU
I	PR-EA0644	1	SEAT HARNESS PR2540 2RD
G	PR-MA0247	1	ECU CONNECTOR TCD2012



M706-HAU

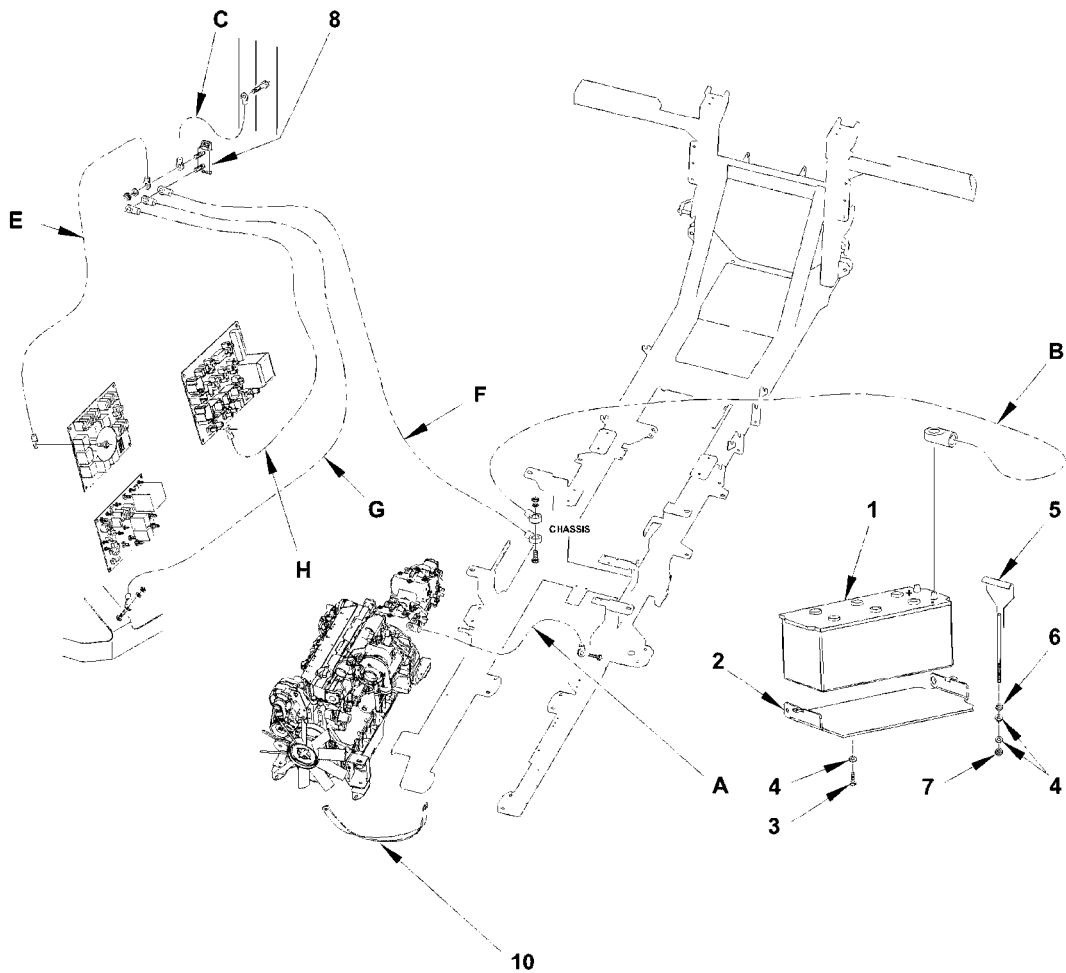


PRESIDIO ELECTRICAL ON ENGINE
M706-HAU, 11:01:16

Page 1

Date 07.02.2020 8:03

Pos.	parts-n°	order qty	description
1	PR-EA1118	1	RELAY 12V SEALED BY 200
2	PR-DB5112005016	1	SCREW M 5x16 cl. 4.8-Zn"
3	PR-DB9522005	1	NUT SERPRESS "M 5"
4	PR-FT0060	1	STARTER EXTENSION M10
5	PR-MA0251/01	1	ENGINE HARNESS-TRA TCD2012
6	PR-EA0650	1	BEAM RELAY START PR2540
6A	PR-EA1119	1	ADAPTOR SEALED RELAY EA1118



M707-HAU

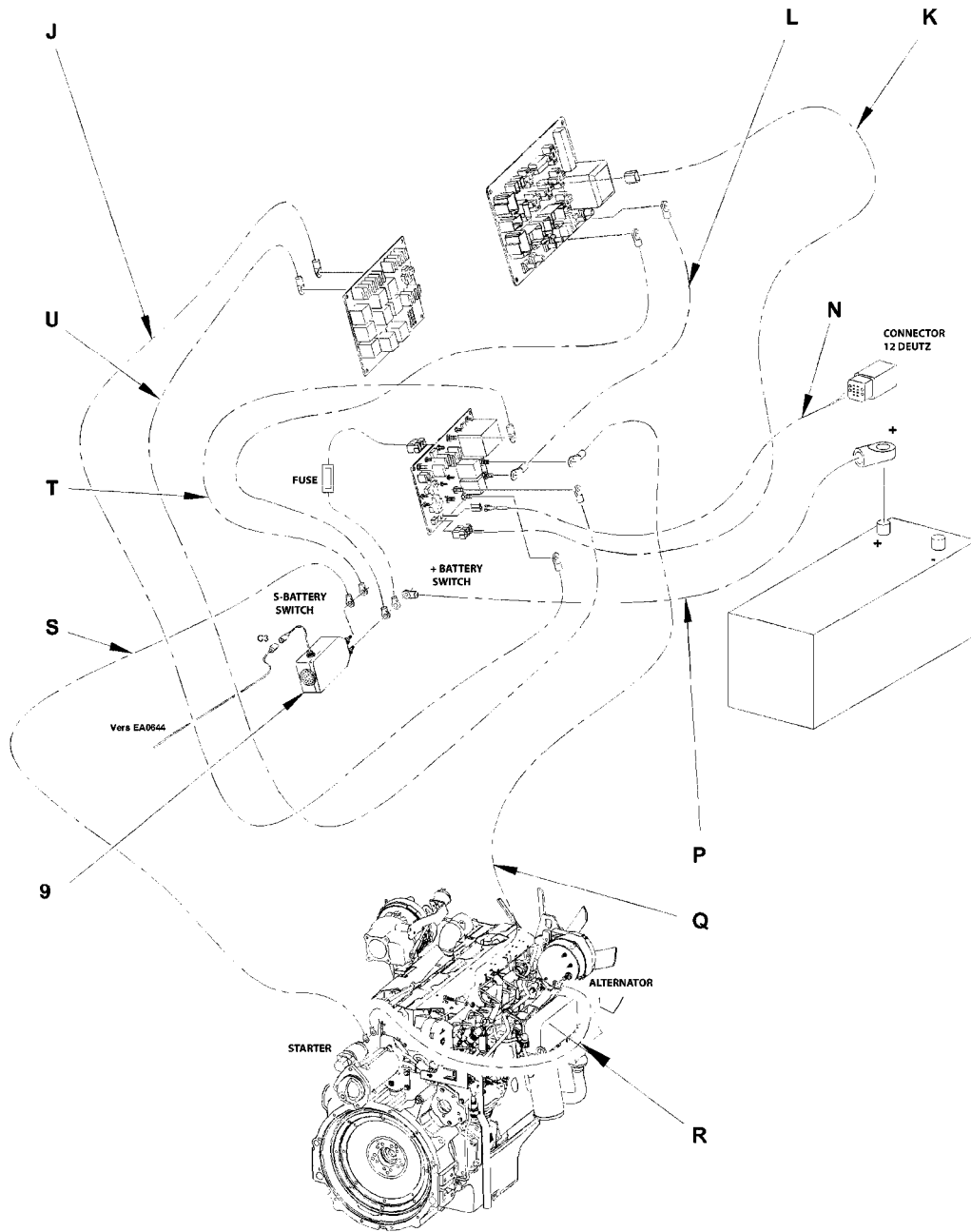


PRESIDIO GND WIRING
M707-HAU, 11:01:16

Page 1

Date 07.02.2020 8:03

Pos.	parts-n°	order qty	description
1	PR-EA0008	1	BATTERY 12V/180Ah/1000A 680032
2	PR-FEPR25095	1	BATTERY HOLDER PR2540
3	PR-DB1044008020	1	HM 8x20 SCREW INOX
4	PR-DS1504008	1	WASHER DECOL. 0.5 M 8x18x1-Inox
5	PR-FEPR32119	1	BATTERY MOUNT
6	PR-DB8144008	1	NUT M 8 INOX
7	PR-DB8444008	1	RING NYLON NUT M 8 INOX
8	PR-EA0519	1	GROUND TERMINAL
10	PR-EA0141	1	GROUND STRAP LG 300 MM 10
A	PR-EA0604-30	1	ENGINE HARNESS F.GROUND
B	PR-EA0604-09	1	HARNESS FOR BATTERY -/CHASSIS
C	PR-EA0604-23	1	HARNESS F. - GROUND TERMINAL
E	PR-EA0604-19	1	HARNESS FOR - TERMINAL / PLATINUM
F	PR-EA0604-10	1	HARNESS FOR FRAME/GROUND TERM.
G	PR-EA0604-29	1	BEAM SUPPORT FOR GROUND
H	PR-EA0604-18	1	HARNESS FOR - TERMINAL / PLATINUM



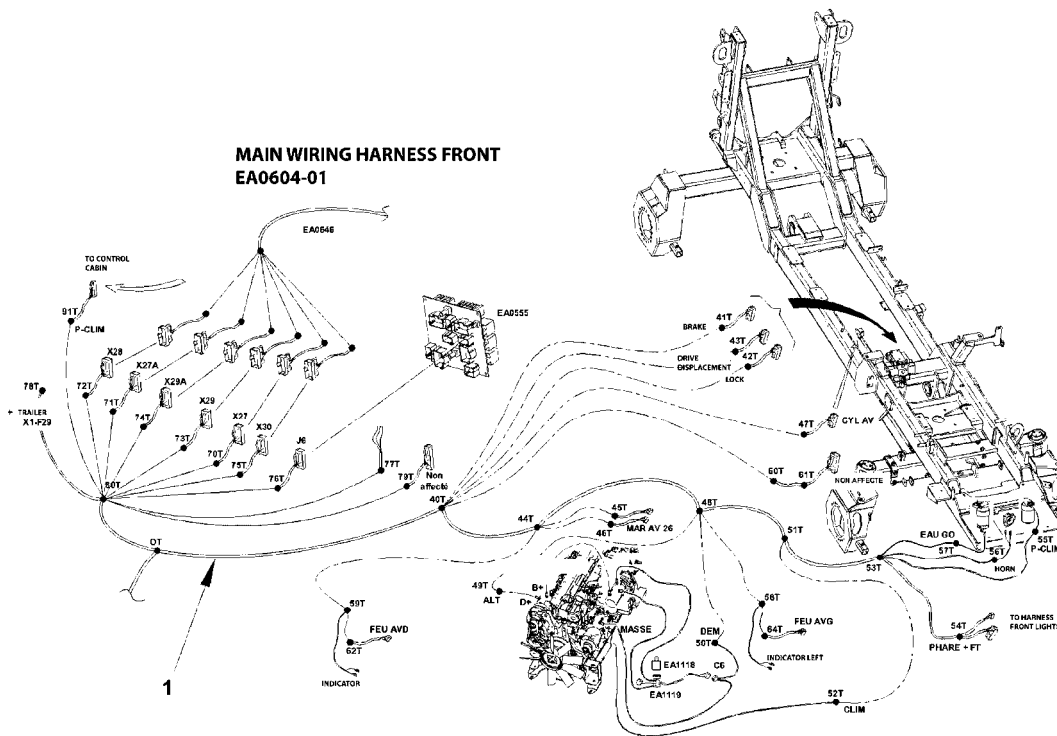
M708-HAU



PRESIDIO POWER WIRING
M708-HAU, 11:01:16

Page 1
Date 07.02.2020 8:03

Pos.	parts-n°	order qty	description
9	PR-EA0776	1	BATTERY SWITCH 300A BIST CDE ELE
J	PR-EA0604-14	1	HARNESS FOR AFTER CONTACT +
K	PR-EA0648	1	BEAM CDE PLATINUM PR2540 2RD
L	PR-EA0604-13	1	HARNESS FOR AFTER CONTACT +
M	PR-EA0604-15	1	HARNESS FOR BEFORE CONTACT +
N	PR-EA0604-21	1	BEAM TO ORDER
P	PR-EA0604-07	1	HARNESS FOR BATTERY + SIDE
Q	PR-EA0604-12	1	HARNESS FOR GLOW +
R	PR-EA0604-17	1	HARNESS FOR STARTER
S	PR-EA0604-11	1	WIRING HARNESS + STARTER
T	PR-EA0604-08	1	BEAM CUTTER BATTERY /
U	PR-EA0604-16	1	HARNESS FOR BEFORE CONTACT +



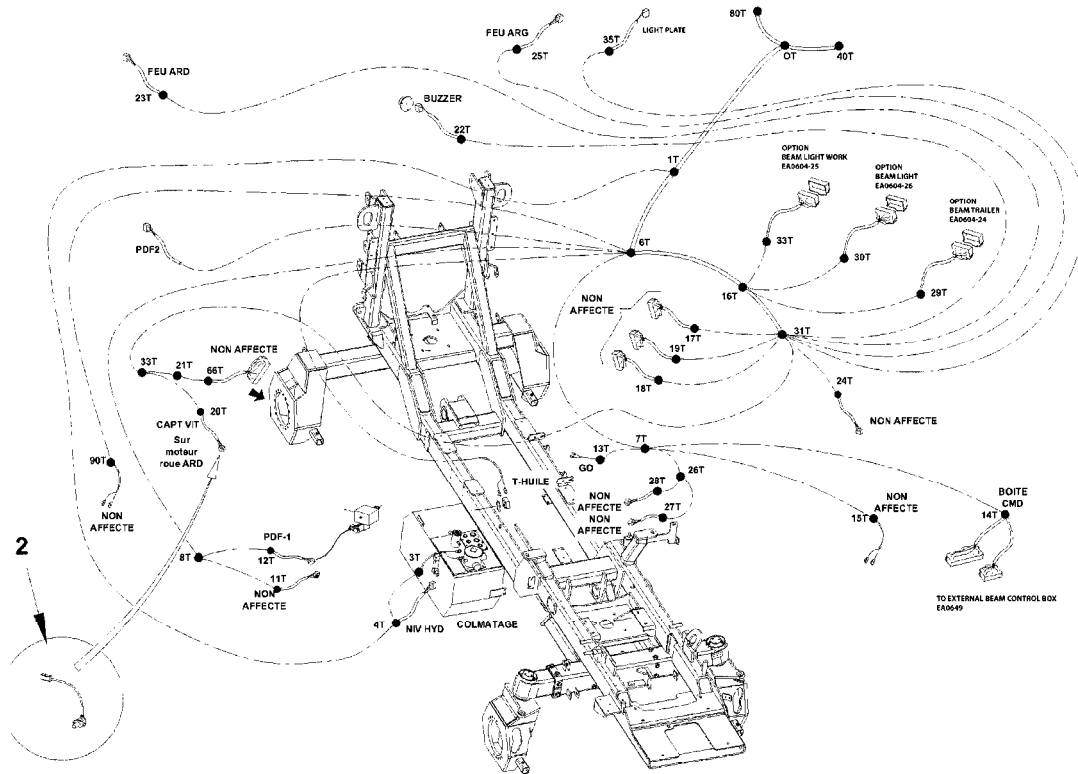
M709-HAU



PRESIDIO MAIN WIRING HARNESS F
M709-HAU, 11:01:16

Page 1
Date 07.02.2020 8:03

parts-n°	order qty	description
PR-EA0604-0 1	1	HARNESS FRONT AND REAR BEAM



MAIN WIRING HARNESS REAR
EA0604-01

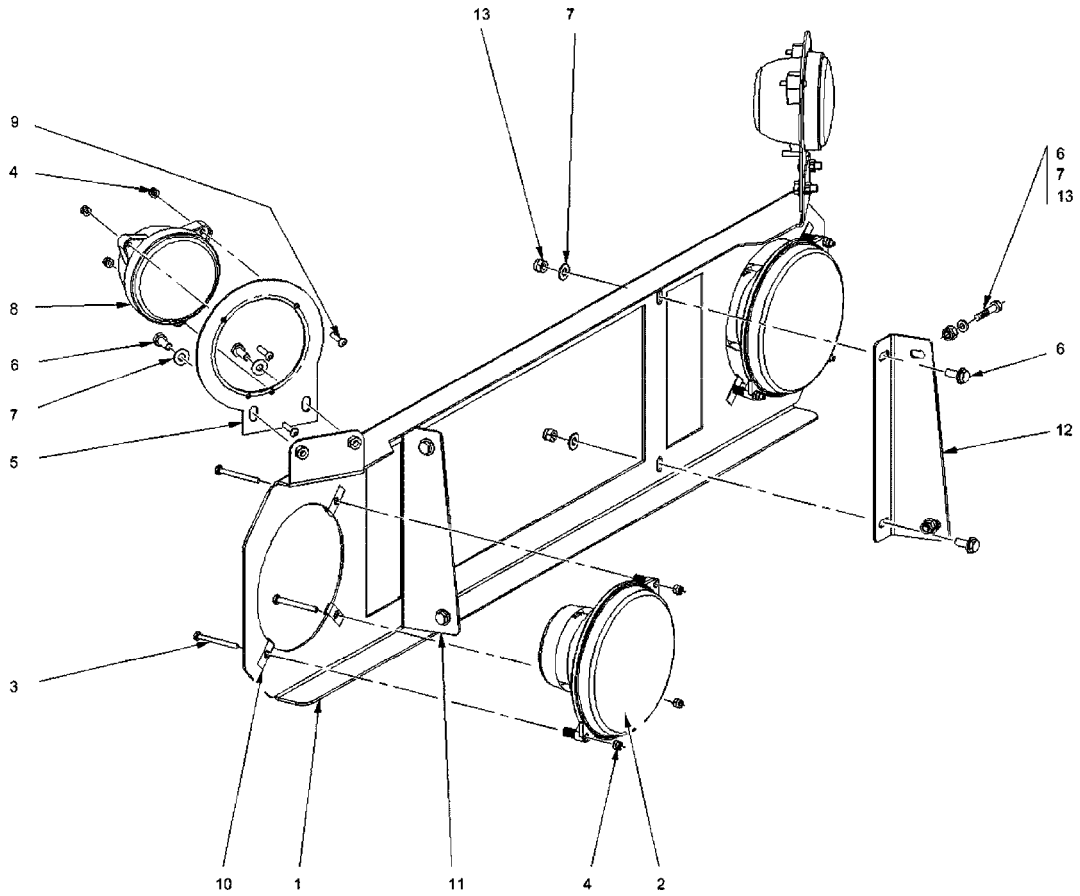
M710-HAU



PRESIDIO MAIN WIRING HARNESS R
M710-HAU, 11:01:16

Page 1
Date 07.02.2020 8:03

parts-n°	order qty	description
PR-XX0203	1	SPEED SENSOR A6VE



M711-HAU

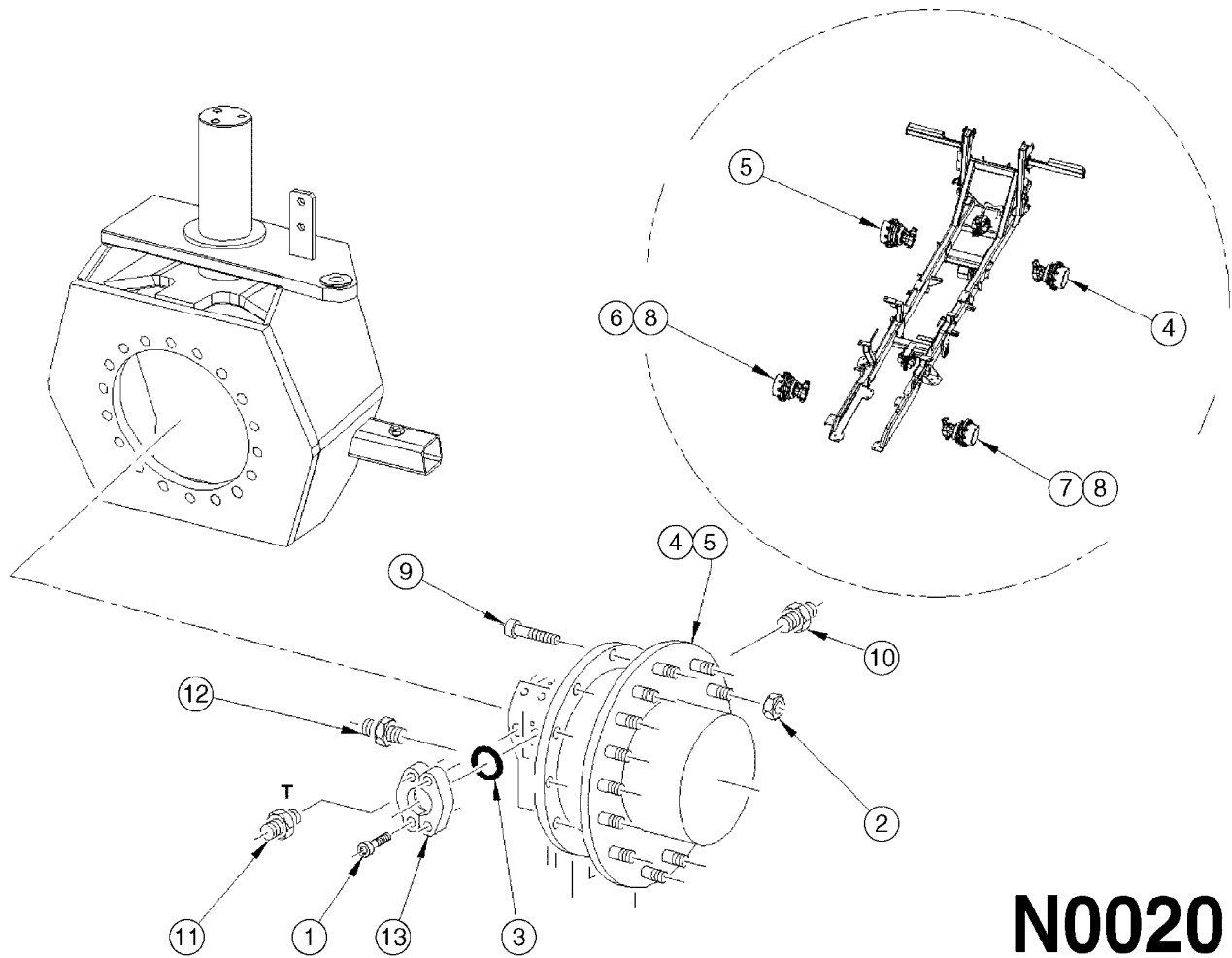


PRESIDIO FRONT LIGHTS
M711-HAU, 11:01:16

Page 1

Date 07.02.2020 8:03

Pos.	parts-n°	order qty	description
1	PR-FEPR32132	1	SUPPORT FRONT LIGHTS PR3240
2	PR-EA0620	1	SPOTLIGHT M 133 H4 12V/55W
3	PR-DB1044004040	1	HM 4x40 SCREW INOX
4	PR-DB8444004	1	RING NYLON NUT M 4 INOX
5	PR-FEPR32135	1	SUPPORT WORK LIGHTS PR3240
6	PR-DB1044006016	1	HM 6x16 SCREW INOX
7	PR-DS1502006	1	WASHER DECOL. 0.2 M 6x14x1-Zn
8	PR-EA0621	1	Module 70 mm FRONT PROJECTOR
9	PR-DB4644004020	1	SCREW BHC M4X20 A2 SS
10	PR-DD0524	1	CLIPS NUT M4
11	PR-FEPR32133	1	BRACKET RIGHT FRONT LIGHTS PR3240
12	PR-FEPR32134	1	BRACKET LEFT FRONT LIGHTS PR3240
13	PR-DB8444006	1	RING NYLON NUT M6 INOX



N0020

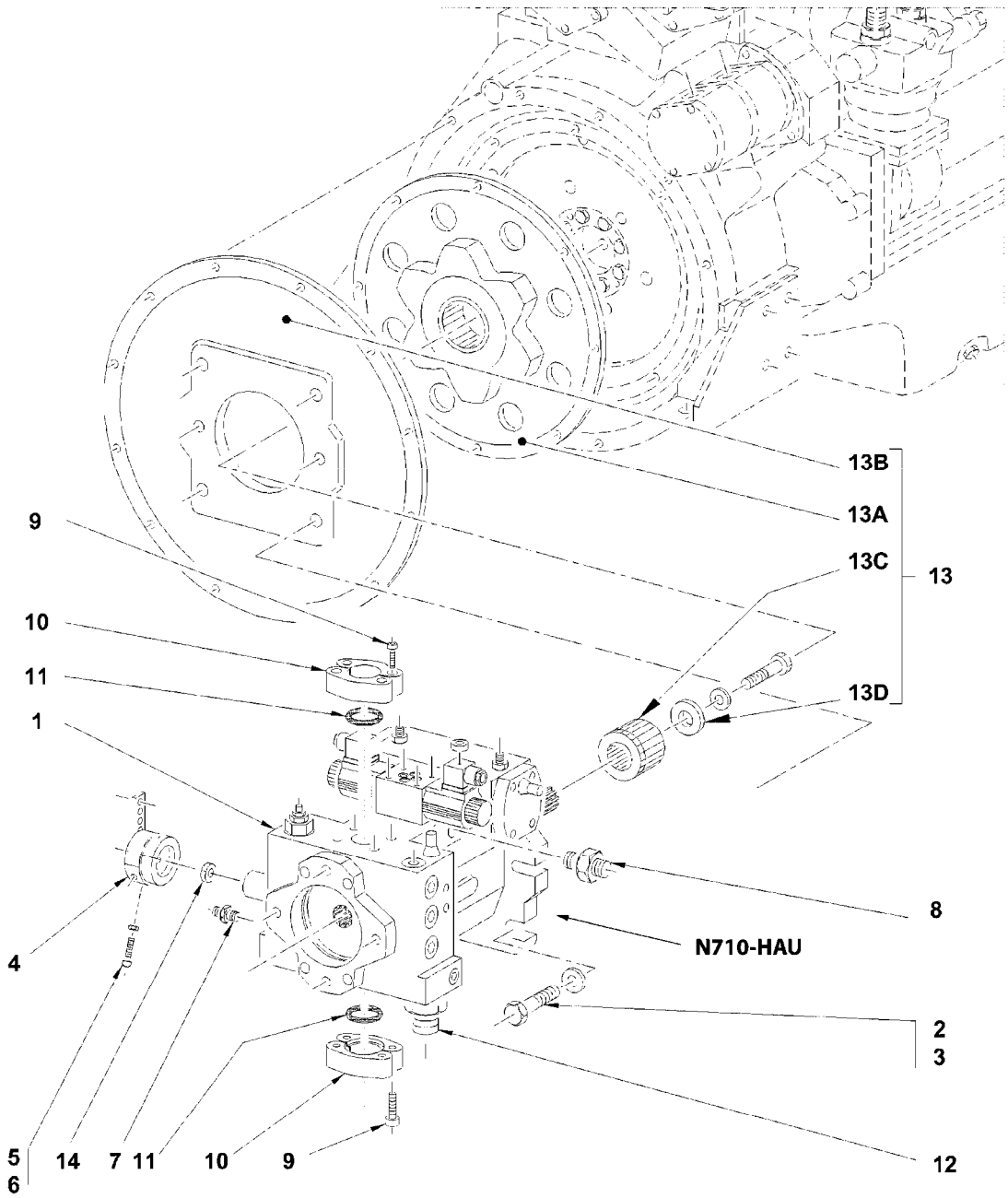


PRESIDIO HYDRAULIC MOTORS
N0020-HIN, 30:07:19

Page 1

Date 07.02.2020 8:03

Pos.	parts-n°	order qty	description
1	PR-DB2042010035	1	SCREW CHC Class 12.9 M10X 35 Zn
2	PR-DB9143022150	1	WHEEL NUT, M22X1.5, RH MOTOR, PRESIDIO POCLAIN WHEEL MOTORS (REAR)
2	PR-HM7023-02	1	WHEEL NUT, M22X1.5, FH MOTOR, PRESIDIO REXROTH WHEEL MOTORS (FRONT)
3	PR-HJ0031	1	SPY GEAR FLANGE SEAL MOTORCYCLE
4	PR-HM7000	1	HYDRAULIC WHEEL MOTOR LEFT GFT 13 T2 i = 85
5	PR-HM7001	1	HYDRAULIC WHEEL MOTOR RIGHT GFT 13 T2 8568 i
6	PR-HM7021	1	HYDRAULIC WHEEL MOTOR MCR15 FRONT RIGH
7	PR-HM7021G	1	HYDRAULIC WHEEL MOTOR MCR15 FRONT LEFT
8	PR-HM7022	1	HYDRAULIC WHEEL MOTOR STD
9	PR-HPR916568428	1	WHEEL STUD M22X60
10	PR-HR0012	1	HYDRAULIC CONNECTION-LAW MJ9/16 MI14x1
11	PR-HR0110	1	HYDRAULIC CONNECTION RIGHT MJ3 / 4-MI1
12	PR-HR0124	1	HYDRAULIC CONNECTION RIGHT MJ1 / 2-MI1
13	PR-HT0031	1	HALF FLANGE SAE 6000 3/4 MOD 12 "



N700-HAU

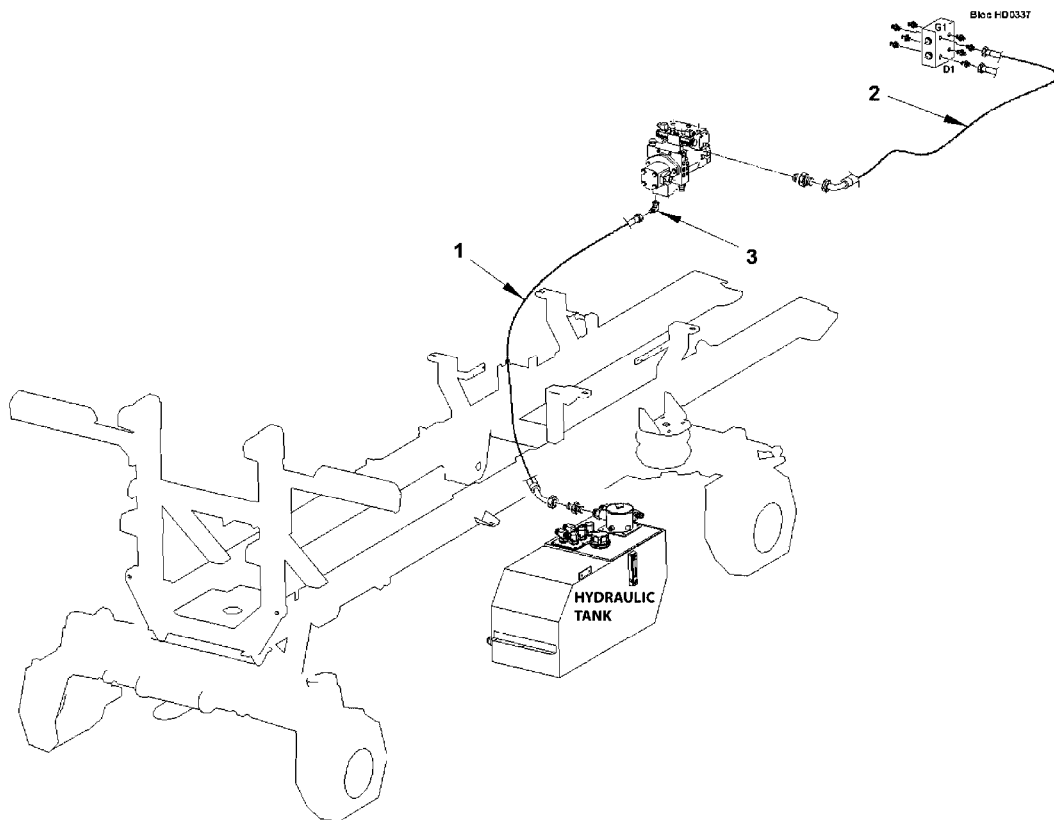


PRESIDIO FORWARD PUMP
N700-HAU, 11:01:16

Page 1

Date 07.02.2020 8:03

Pos.	parts-n°	order qty	description
1	PR-HP3030	1	HYDRAULIC PUMP A4VG125 EP1DM3L/32R-NZF
2	PR-DB1022020040	1	HM Class 8.8 M 20X 40 SCREW
3	PR-DS1502020	1	WASHER DECOL. M20x40x3-Zn
4	PR-FE0204	1	AUTOMOTIVE SWITCH LOCK A4VG125
5	PR-DB2042008030	1	SCREW CHC Class 12.9 M 8X 30 Zn
6	PR-DB8122008	1	NUT M 8 class 8-Zn
7	PR-HR0112	1	HYDRAULIC CONNECTION RIGHT MJ11/16-MI2
8	PR-HR0112	1	HYDRAULIC CONNECTION RIGHT MJ11/16-MI2
9	PR-DB2042014045	1	SCREW CHC Class 12.9 M14X 45 Zn
10	PR-HT0033	1	HALF FLANGE SAE 6000 1 1/4 MOD 20 "
11	PR-HJ0033	1	O-RING 37.7 X 3.53
12	PR-HR0117	1	HYDRAULIC CONNECTION RIGHT MJ15/16-MI4
13	PR-MC0034	1	DRIVE COUPLING
13A	PR-MC010	1	part available on request
13B	PR-MC0301	1	MOUNTING PLATE
13C	PR-MC0201	1	GEAR
13D	PR-MC0019	1	HOLD FOR BUSH
14	PR-HPR909439335	1	RESTRICTOR 22/6.8



N701-HAU

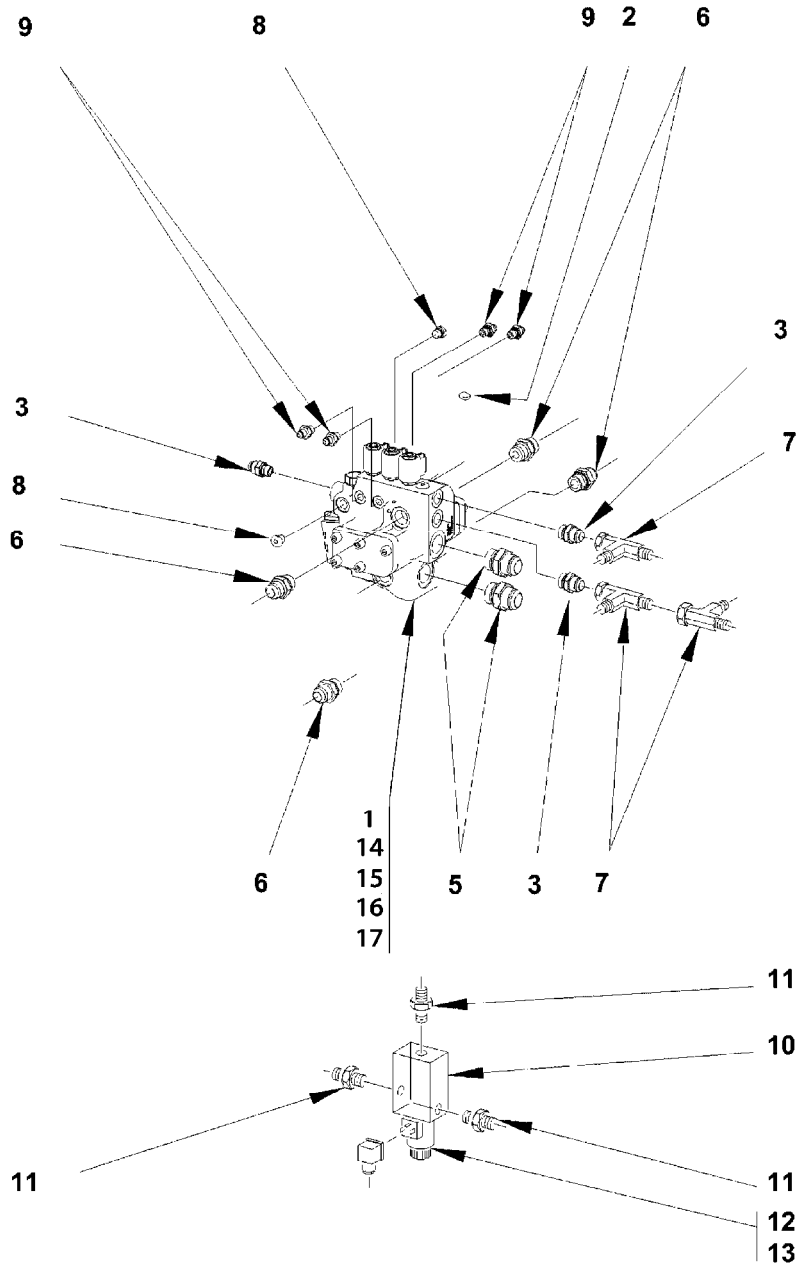


PRESIDIO FORW. PUMP HYD. CIRC.
N701-HAU, 11:01:16

Page 1

Date 07.02.2020 8:03

Pos.	parts-n°	order qty	description
1	PR-HF1001AT0069	1	HOSE FL 1" 1AT 2250 772 772
2	PR-HF1001AT0063	1	HOSE FL 1" 1AT 950 772 775
3	PR-HR0005	1	HYDRAULIC CONNECTION ELBOW MJ15/16-FJ1



N703-HAU

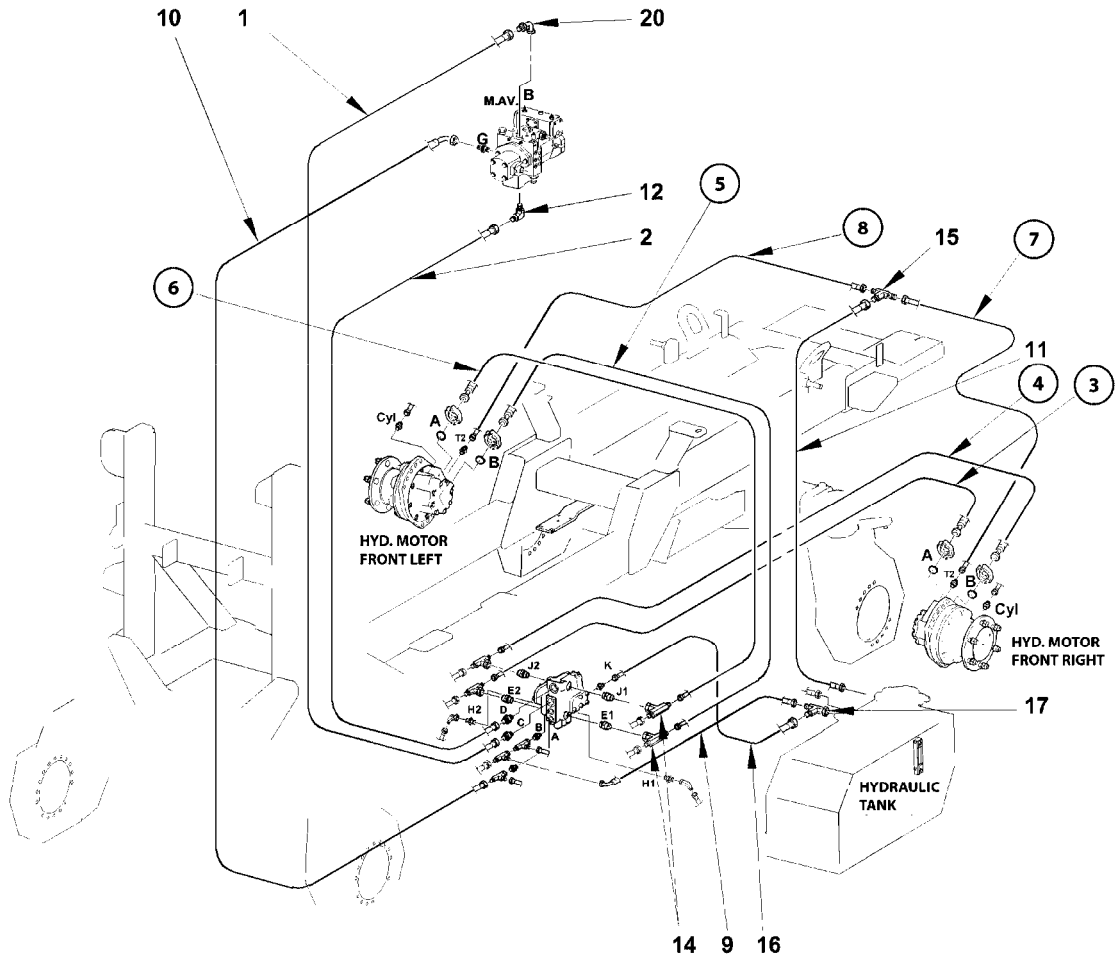


PRESIDIO DRIVE CONTROL VALVE
N703-HAU, 11:01:16

Page 1

Date 07.02.2020 8:03

Pos.	parts-n°	order qty	description
1	PR-HD0332	1	BLOCK TRANSMISSION range agri
2	PR-DS0004	1	SHIM INT. BLOC HYD 10X16X0, 5
3	PR-HR0013	1	HYDRAULIC CONNECTION RIGHT MJ3 / 4-MG1
4	PR-HR0047	1	HYDRAULIC CONNECTION ELBOW MJ3 / 4-MG1
5	PR-HR0093	1	HEX NIPPLE #16JICM-#16BSPPM
6	PR-HR0087	1	HEX FITTING #12 JIC M X G3/4"M STR
7	PR-HR0008	1	HYDRAULIC CONNECTION TMRJ3 / 4-FJ3 / 4
8	PR-HR0001	1	BM CYL CAP 3/8 "
9	PR-HR0041	1	HYDRAULIC CONNECTION RIGHT MJ1 / 2-MG1
10	PR-HD0218	1	3-WAY SOLENOID FOR 12VTS
11	PR-HR0041	1	HYDRAULIC CONNECTION RIGHT MJ1 / 2-MG1
12	PR-HD0218-01	1	COIL 12 VOLT FOR PR-HD0218
13	PR-HD0218-02	1	COIL 24 VOLT FOR PR-HD0218
14	PR-HD0332-01	1	SEAL KIT INTERFACE BODY
15	PR-HD0332-02	1	ELECTRO 3/2 3/4 "16UNF COMPLETE
16	PR-HD0332-03	1	EXCHANGE VALVE
17	PR-HD0332-04	1	COIL 12 VOLT DC FLIGHT



3 4 5 6 7 8
These hoses are depending on the track and the release of the chassis:
To order please specify serial number of device

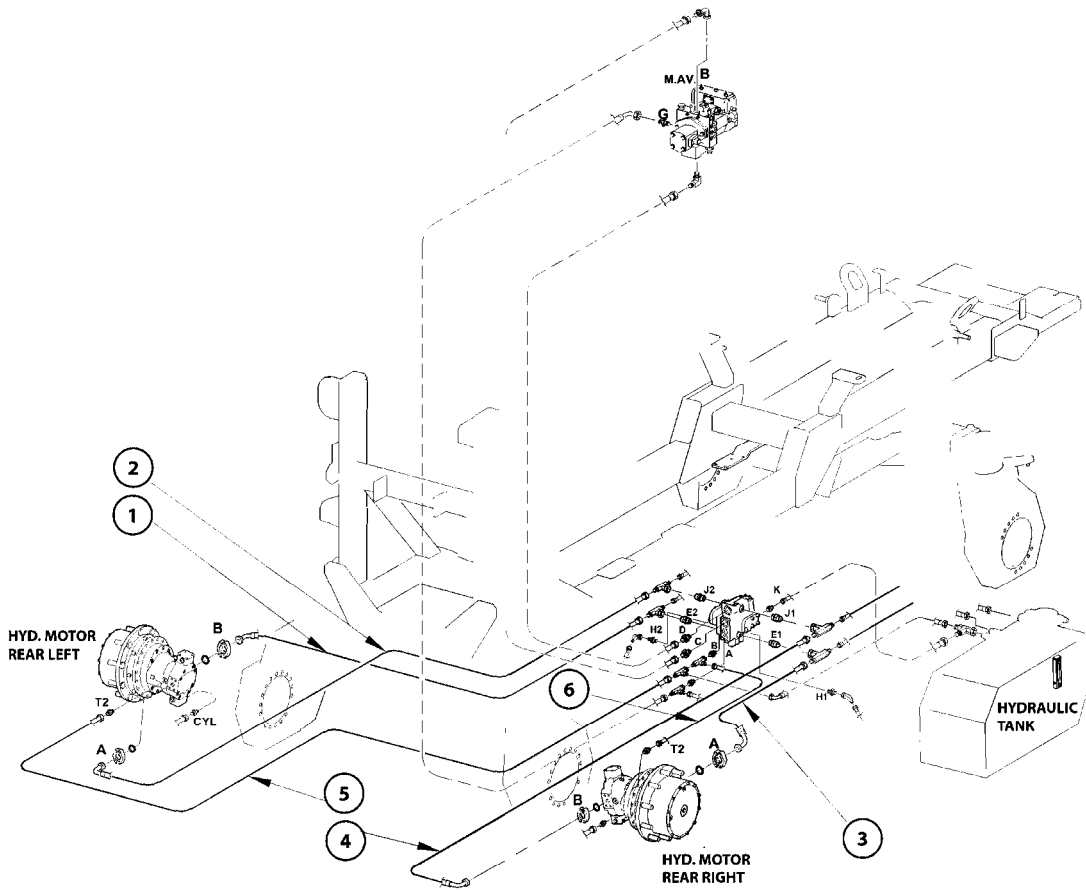
N704-HAU



PRESIDIO FRONT TRANSMISSION C.
N704-HAU, 11:01:16

Page 1
Date 07.02.2020 8:03

Pos.	parts-n°	order qty	description
1	PR-HF1004SH0129	1	HOSE FL 1" 4SH 1950 653 750
2	PR-HF1004SH0129	1	HOSE FL 1" 4SH 1950 653 750
3	PR-PR25-082	1	HOSE Depends on axle width and height
4	PR-PR25-083	1	HOSE Depends on axle width and height
5	PR-PR25-089	1	HOSE Depends on axle width and height
6	PR-PR25-090	1	HOSE Depends on axle width and height
7	PR-PR25-085	1	HOSE Depends on axle width and height
8	PR-PR25-092	1	HOSE Depends on axle width and height
9	PR-HF1202AT0130	1	HOSE FL 1/2 2AT 1300 703 753
10	PR-HF1202AT0231	1	HOSE FL 1/2 2AT 800 703 753
11	PR-HF1202AT0275	1	HOSE FL 1/2 2AT 2200 753 753
12	PR-HR0051	1	HYDRAULIC CONNECTION ELBOW MJ15/16-BR6
14	PR-HR0143	1	HYDRAULIC CONNECTION TMJ 11/16-FJ 1 "1
15	PR-HR0916	1	HYDRAULIC CONNECTION TMJ 9/16 "
17	PR-HR0008	1	HYDRAULIC CONNECTION TMRJ3 / 4-FJ3 / 4



① ② ③ ④ ⑤ ⑥
These hoses are depending on the track and the release of the chassis:
To order please specify serial number of device

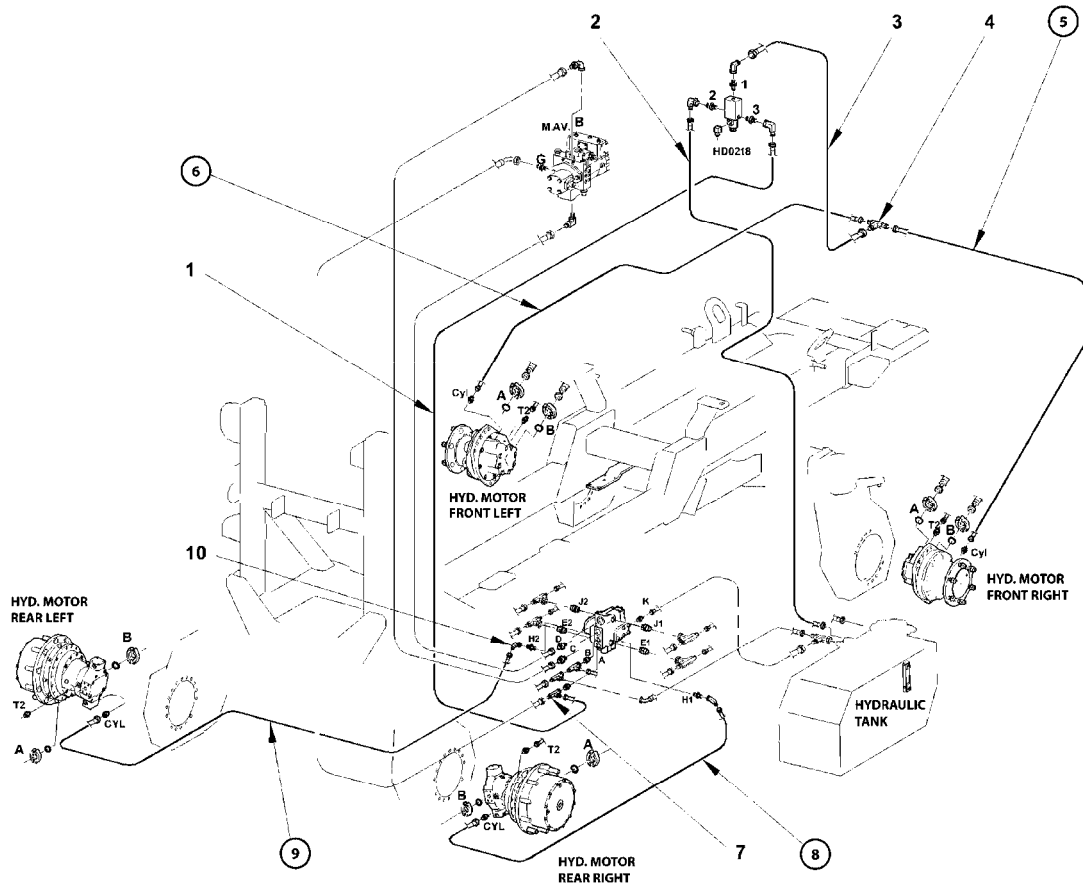
N705-HAU



PRESIDIO REAR TRANSMISSION C.
N705-HAU, 11:01:16

Page 1
Date 07.02.2020 8:03

Pos.	parts-n°	order qty	description
1	PR-PR25-077	1	HOSE Depends on axle width and height
2	PR-PR25-076	1	HOSE Depends on axle width and height
3	PR-PR25-071	1	HOSE Depends on axle width and height
4	PR-PR25-070	1	HOSE Depends on axle width and height
5	PR-PR25-078	1	HOSE Depends on axle width and height
6	PR-PR25-074	1	HOSE Depends on axle width and height



5 6 8 9

These hoses are depending on the track and the release of the chassis:

To order please specify serial number of device

N706-HAU

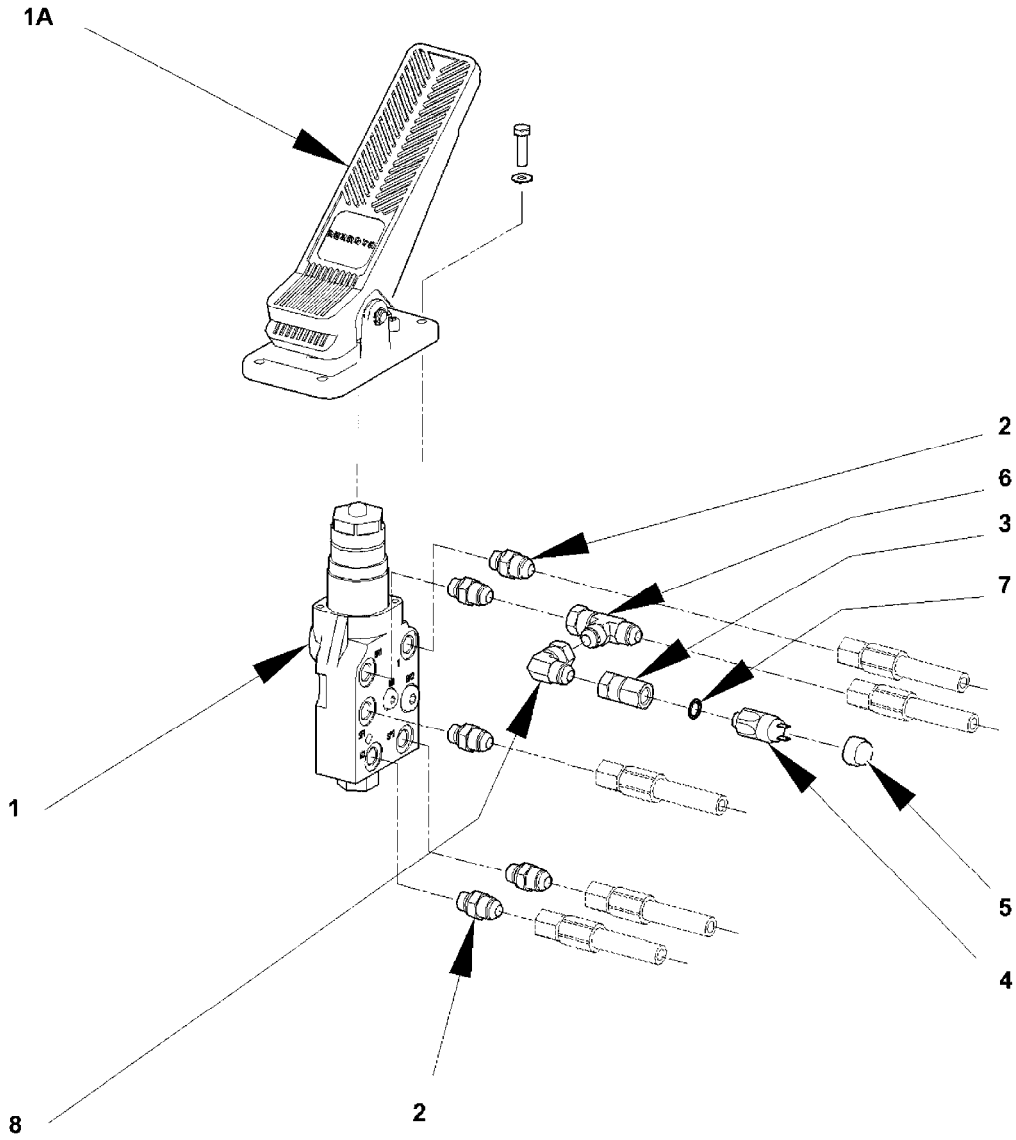


PRESIDIO ACCUMULATION HYD. C.
N706-HAU, 11:01:16

Page 1

Date 07.02.2020 8:03

Pos.	parts-n°	order qty	description
1	PR-HF5161AT0119	1	HOSE FL 5/16 2AT 720 606 687
2	PR-HF5161AT0109	1	HOSE FL 5/16 2AT 1600 606 687
3	PR-HF5161AT0567	1	HOSE FL 5/16 2AT 850 606 686
4	PR-HR0916	1	HYDRAULIC CONNECTION TMJ 9/16 "
5	PR-HF5161AT0574	1	HOSE FL 5/16 2AT 2900 681 686 2900
6	PR-HF5161AT0574	1	HOSE FL 5/16 2AT 2900 681 686 2900
7	PR-HR0008	1	HYDRAULIC CONNECTION TMRJ3 / 4-FJ3 / 4
8	PR-PR25-080	1	HOSE Depends on axle width and height
9	PR-PR25-073	1	HOSE Depends on axle width and height
10	PR-HR0174	1	HYDRAULIC CONNECTION ELBOW MJ1 / 2 - F



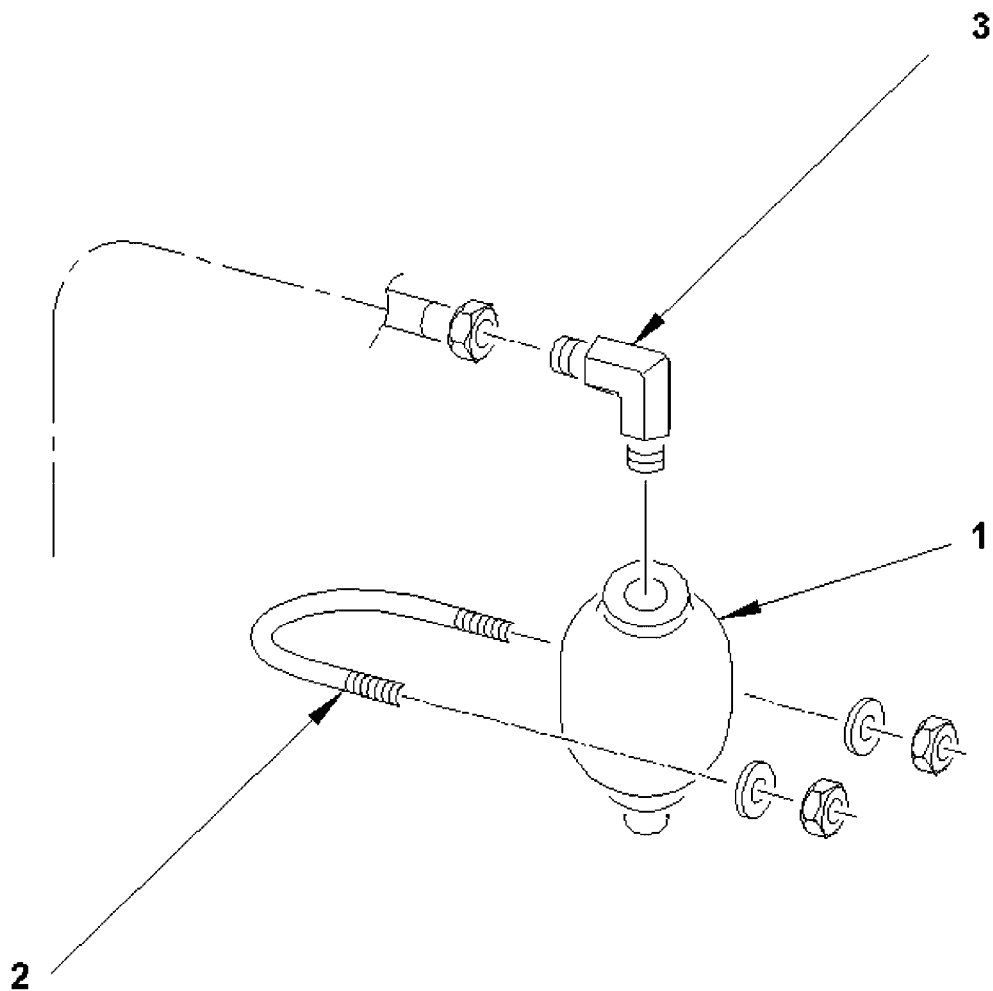
N707-HAU



PRESIDIO DYNAMIC BRAKING UNIT
N707-HAU, 11:01:16

Page 1
Date 07.02.2020 8:03

Pos.	parts-n°	order qty	description
1	PR-HA0019	1	BRAKE VALVE with inching
2	PR-HR0123	1	HYDRAULIC CONNECTION RIGHT MJ3 / 4-MI1
3	PR-HR5000	1	HYDRAULIC CONNECTION RIGHT FJ3 / 4-FG1
4	PR-EA0718	1	PRESSURE 0166-41103-1-043
5	PR-EA0718-01	1	CAP 1 PASS ON A WIRE 1.5 5mm
6	PR-HR0008	1	HYDRAULIC CONNECTION TMRJ3 / 4-FJ3 / 4
7	PR-HJ0014	1	JOINT
8	PR-HR0008	1	HYDRAULIC CONNECTION TMRJ3 / 4-FJ3 / 4



N708-HAU

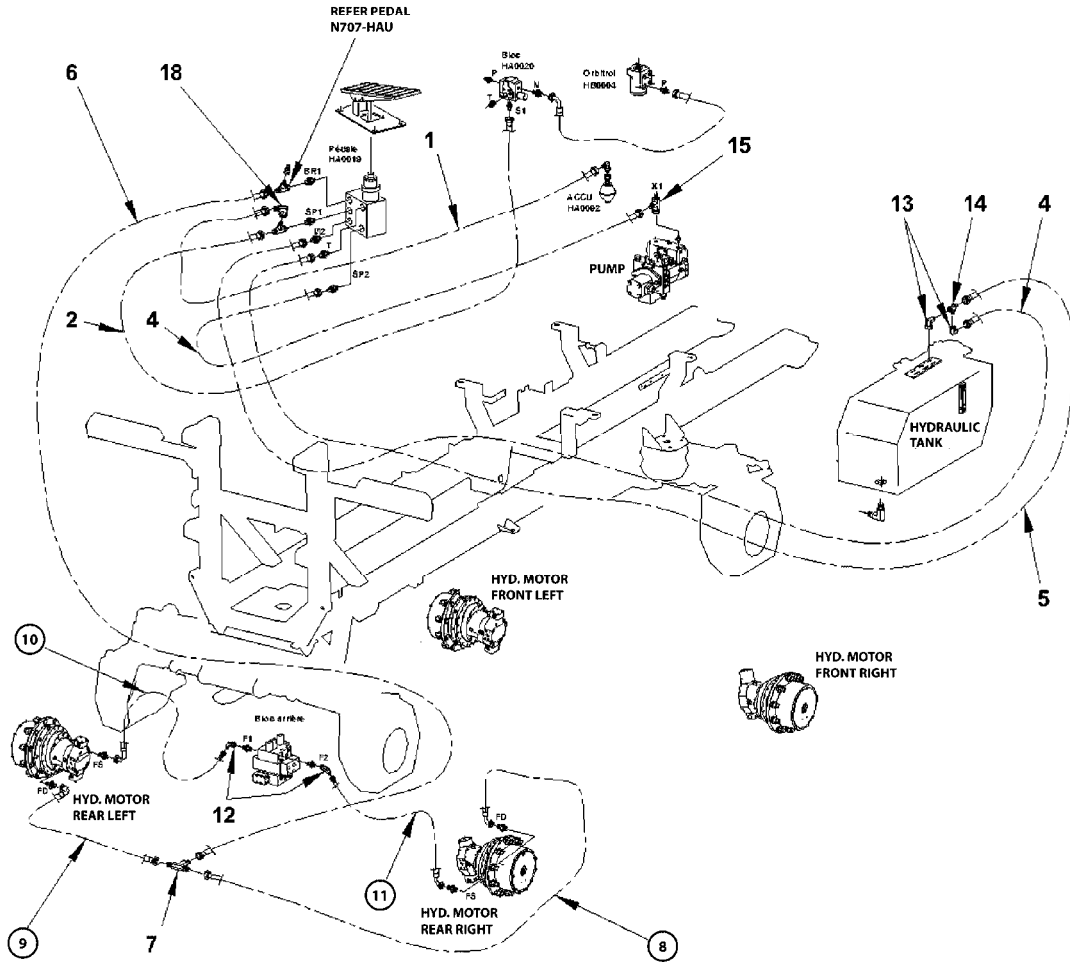


PRESIDIO DYNAMIC BRAKING ACCUM
N708-HAU, 11:01:16

Page 1

Date 07.02.2020 8:03

Pos.	parts-n°	order qty	description
1	PR-HA0090	1	ACCUMULATOR 0.7L/60 BAR
2	PR-HA0093	1	CLAMP F.ACCUMULATOR 0.7L
3	PR-HR0047	1	HYDRAULIC CONNECTION ELBOW MJ3 / 4-MG1



- 8
- 9
- 10
- 11

These hoses are depending on the track and the release of the chassis:

To order please specify serial number of device

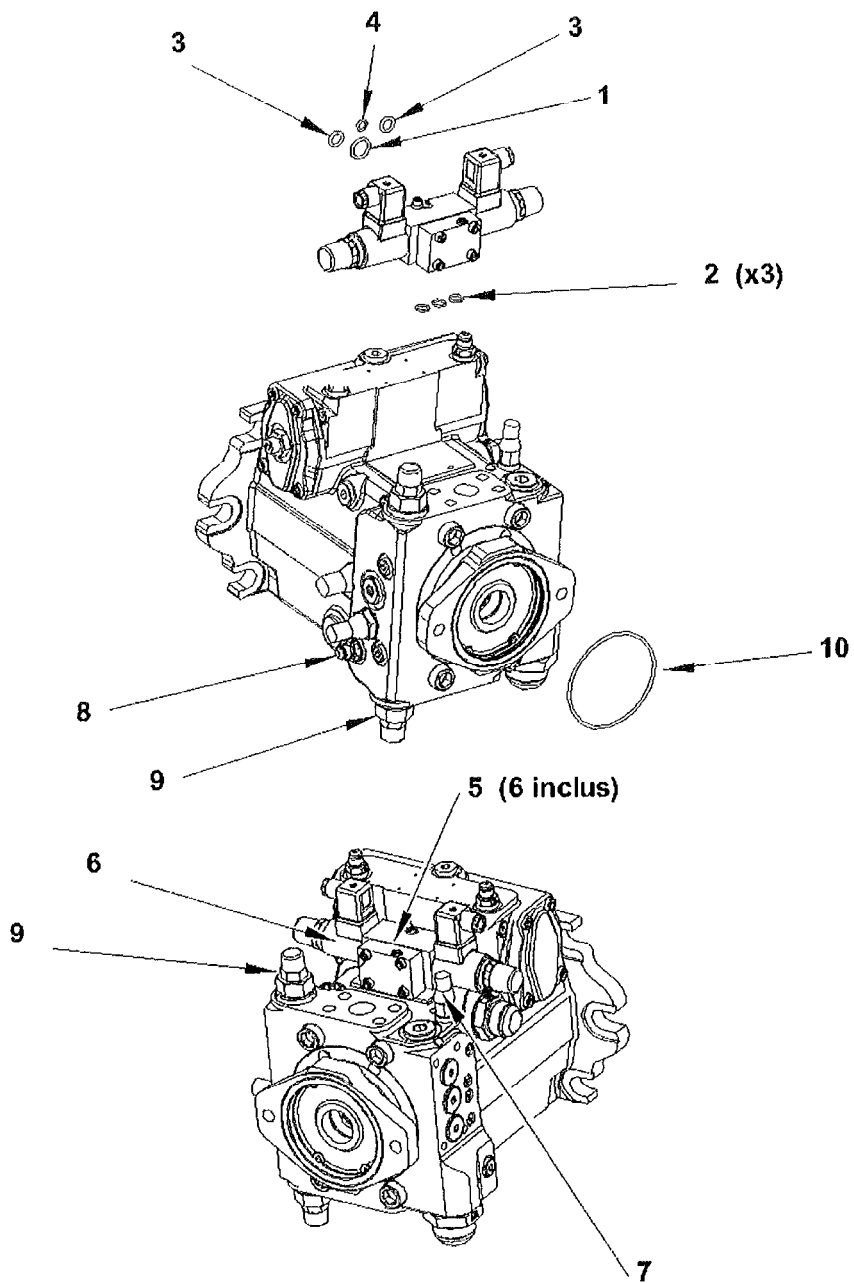
N709-HAU



PRESIDIO BRAKING HYD. CIRCUIT
N709-HAU, 11:01:16

Page 1
Date 07.02.2020 8:03

Pos.	parts-n°	order qty	description
1	PR-HF1202AT0182	1	HOSE FL 1/2 2AT 1000 703 753
2	PR-HF1202AT0465	1	HOSE FL 1/2 2AT 2100 703 753
3	PR-HF5161AT0404	1	HOSE FL 5/16 1AT 1950 686 687
4	PR-HF1202AT0417	1	HOSE FL 1/2 2AT 1650 753 753
5	PR-HF1202AT0417	1	HOSE FL 1/2 2AT 1650 753 753
6	PR-HF1202AT0182	1	HOSE FL 1/2 2AT 1000 703 753
7	PR-HR0903	1	HYDRAULIC CONNECTION TMJ 3/4 "
8	PR-PR25-075	1	HOSE Depends on axle width and height
9	PR-PR25-081	1	HOSE Depends on axle width and height
10	PR-PR25-079	1	HOSE Depends on axle width and height
11	PR-PR25-072	1	HOSE Depends on axle width and height
12	PR-HR0174	1	HYDRAULIC CONNECTION ELBOW MJ1 / 2 - F
13	PR-HR0002	1	HYDRAULIC CONNECTION ELBOW MJ3/4-FJ3/4
14	PR-HR0008	1	HYDRAULIC CONNECTION TMRJ3 / 4-FJ3 / 4
15	PR-HR0904	1	HYDRAULIC CONNECTION TMRJ9/16 -FJ9/16



N710-HAU

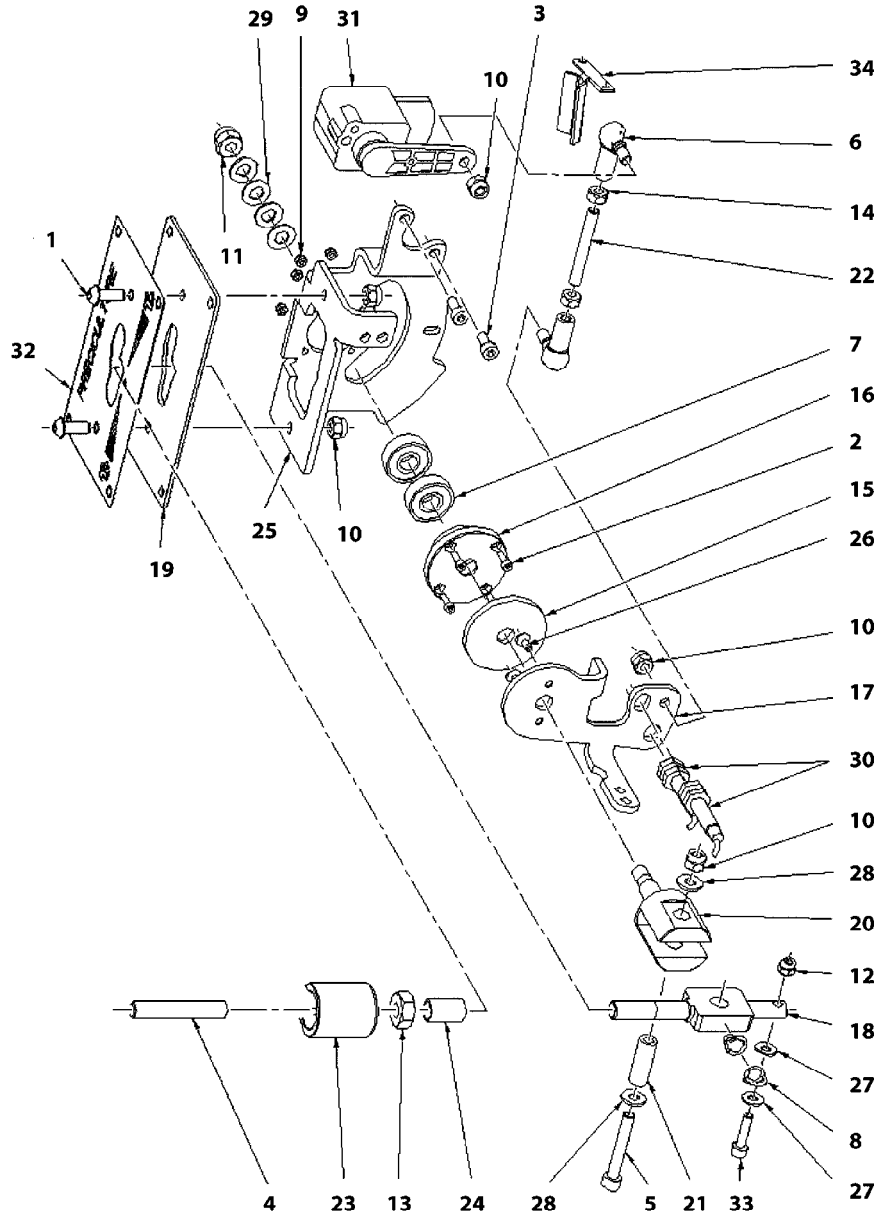


PRESIDIO FORWARD PUMP
N710-HAU, 11:01:16

Page 1

Date 07.02.2020 8:03

Pos.	parts-n°	order qty	description
1	PR-HPR02600641	1	O-RING F.A4VG90 (1) A4VG105
2	PR-HPR09086178	1	O-RING 10.82x1.78 SOL.VALVE A4VG105
3	PR-HPR09086333	1	O-RING 1242x1.78 PPE 90,105
4	PR-HPR09086380	1	O-RING 6.07x1.78 PPE 90,105
5	PR-HPR02053272	1	SOLENOID VALVE CDE EP A4VG 90/105
6	PR-HPR02601749	1	SOLENOID FOR SERVO CDE A4VG
7	PR-HPR09437363	1	FLOW SHUT OFF VALVE A4VG90/105
8	PR-HPR09434856	1	CHARGE PUMP RELIEF VALVE A4VG71/90/125
9	PR-HP9302	1	VALVE HP POMPE A4VG71/A4VG90
10	PR-HPR09154589	1	JOINT AND SAEB PDF A4VG71/180



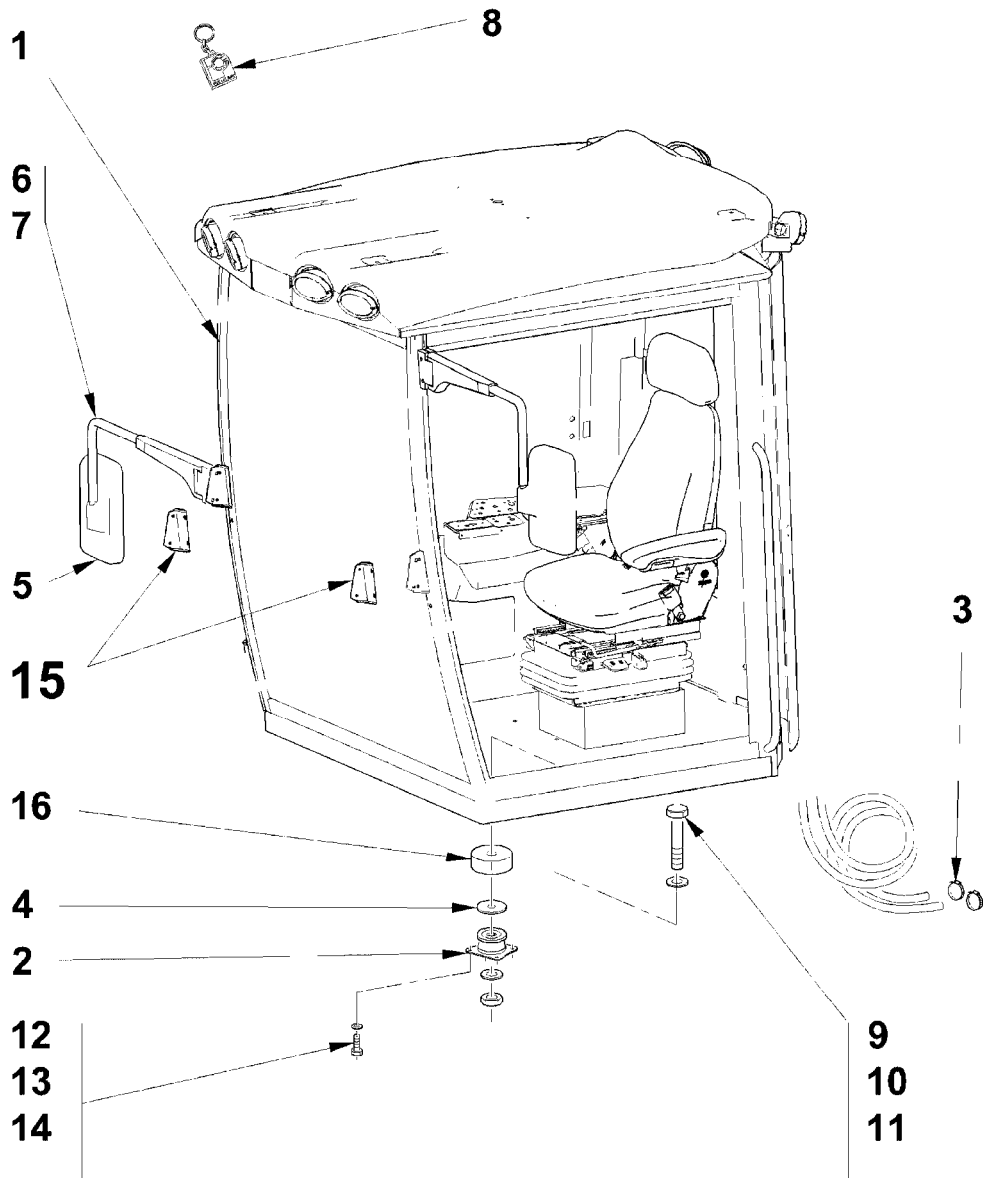
O700-HAU



PRESIDIO FORWARD CONTROL
0700-HAU, 11:01:16

Page 1
Date 07.02.2020 8:03

Pos.	parts-n°	order qty	description
1	PR-DB4632006016	1	SCREW BHC M6X16 A2 SS
2	PR-DB2044003010	1	SCREW CHC Stainless M 3X 10
3	PR-DB2044005012	1	SCREW CHC Stainless M 5X 12
4	PR-FEPR32126	1	TRAVEL ARM
5	PR-DB2144006040	1	SCREW CHC stainless A2 M6x40
6	PR-DA0015	1	PROBE HEAD DIN 71802 CS10M6
7	PR-DR0024	1	BEARING IN 60002RS 100 PIECES
8	PR-DW0027	1	TRAVEL LEVER SPRING PR3240
9	PR-DB8444003	1	RING NUT NYLON M3 INOX
10	PR-DB8444006	1	RING NYLON NUT M6 INOX
11	PR-DB8444008	1	RING NYLON NUT M 8 INOX
12	PR-DB8444005	1	RING NYLON NUT M 5 INOX
13	PR-DB8144010	1	STEEL NUT M10
14	PR-DB8144006	1	NUT M 6 SS
15	PR-FE0250	1	FRICITION WASHER AVCMT 2008
16	PR-FE0251	1	BEARING TRAVEL LEVER 2008 INOX
17	PR-FE0252	1	LINK TRAVEL LEVER 2008
18	PR-FE0254	1	HANDLE TRAVEL LEVER 2008 INOX
19	PR-FE0255	1	GRID TRAVEL HANDLE 2008
20	PR-FE0256	1	JOINT TRAVEL LEVER 2008
21	PR-FE0257	1	AXLE F.TRAVEL HANDLE SS 2008
22	PR-FE0258	1	TRAVEL LEVER LINK.ROD 2008 ZB
23	PR-FE0260	1	TRAVEL HANDLE SUPPORT SS 2008
24	PR-FE0261	1	TRAVEL LEVER ROLLER PROTECTION
25	PR-FE0262	1	TRAVEL LEVER SUPPORT 2008
26	PR-DB4024004008	1	SCREW FHC A2-70 M-8 4X stainless
27	PR-DS1104005	1	WASHER M 5125-INOX A2
28	PR-DS1504006	1	WASHER DECOL. 0.2 M 6x14x1-Inox
29	PR-DS3101008	1	SPRING WASHER M 8x16 x0.9-BR
30	PR-XX0064	1	SENSOR INDUCTIVE 100
31	PR-XX0200	1	SENSOR ANGULAR TYPE WS1
31A	PR-XX0200-01	1	CONNECTOR ANGLE SENSOR
32	PR-DE0154	1	DECAL - TRAVEL LEVER XX0300
33	PR-DB2044005020	1	SCREW CHC Stainless M 5X 20
34	PR-FEPR32113	1	WIRING MOUNTING PLATE PR3240



O701-HAU

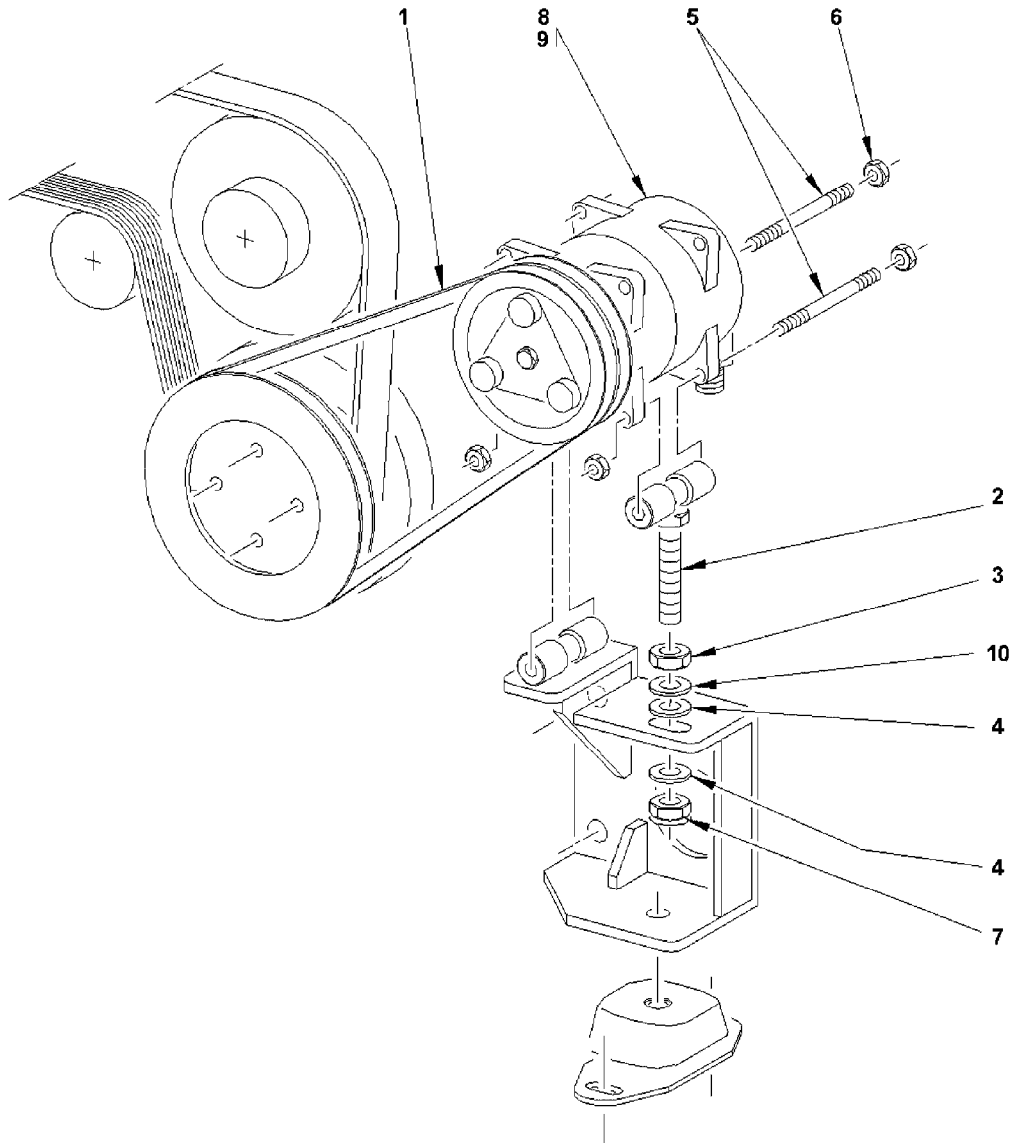


PRESIDIO AIR CONDITIONING CAB
O701-HAU, 11:01:16

Page 1

Date 07.02.2020 8:03

Pos.	parts-n°	order qty	description
1	PR-CC0026	1	AIR COND. CAB
2	PR-DD0022	1	PLOT CAB MOUNTING 60SH
3	PR-DC0041	1	CLAMP SER BC DIAM 13 16_25
4	PR-DD0023	1	WASHER FOR PLOT DD0022
5	PR-CA0225	1	MIRROR ELECTRIC
6	PR-CA0226	1	MIRROR RIGHT ARM
7	PR-CA0227	1	MIRROR LEFT ARM
8	PR-DD0113	1	KEYRING PRECICULTURE
9	PR-DB1122016120	1	SCREW M16x120 Zn
10	PR-DS1502016	1	WASHER DECOL. M16x32x3-Zn
11	PR-DB8422016	1	RING NYLON NUT M16-Zn
12	PR-DB1022010020	1	HM Class 8.8 M 10X 20 SCREW
13	PR-DS1502010	1	WASHER DECOL. M10x22x2-Zn
14	PR-DB8422010	1	RING NYLON NUT M10-Zn
15	PR-FEPR32033-01	1	PLATE, FOR MIRROR ARM, CAB, PRESIDIO
16	PR-FE30175	1	PROGRESSIVE THRUST WASHER



O702-HAU

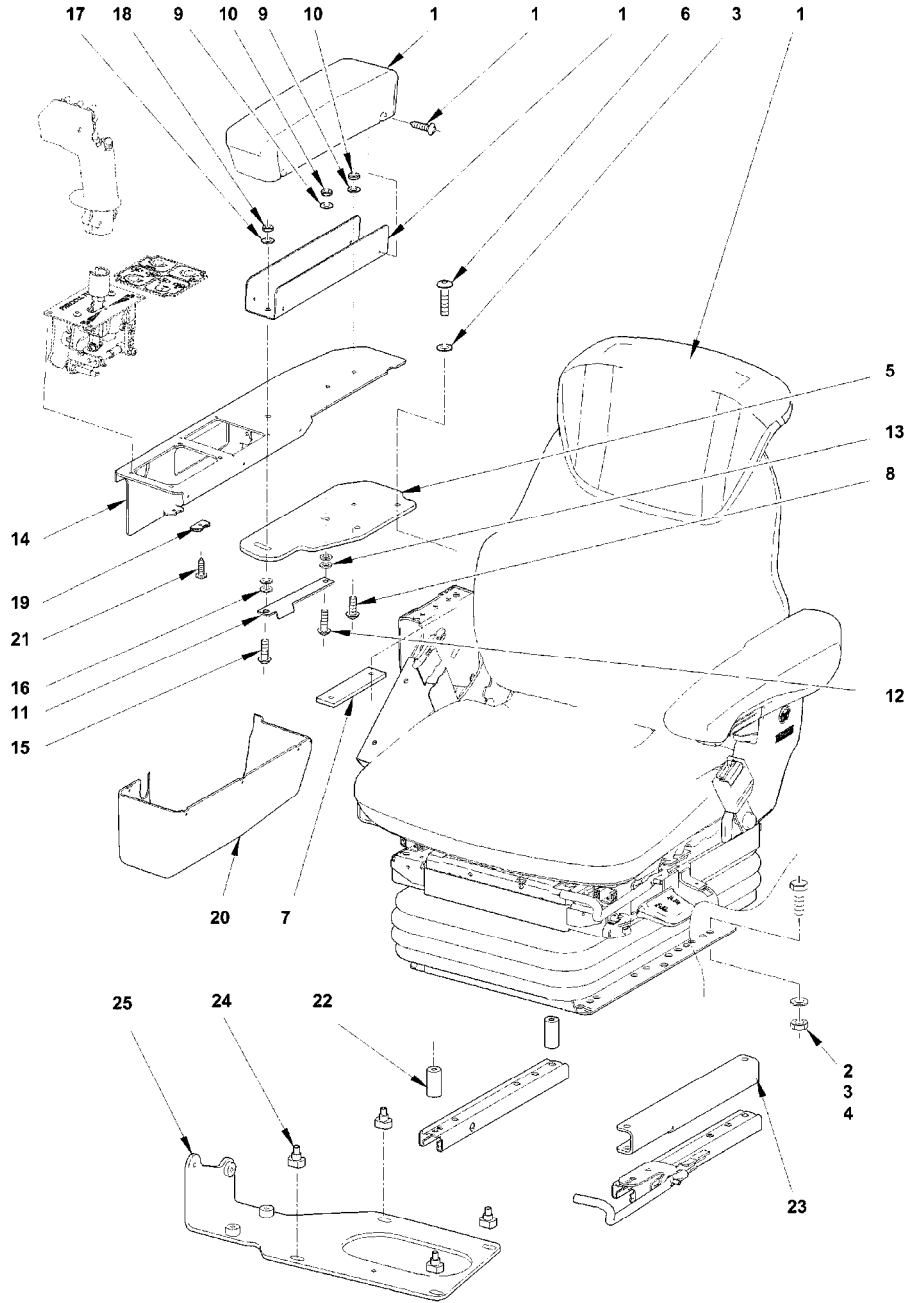


PRESIDIO AIRCONDITIONING COMPR
O702-HAU, 11:01:16

Page 1

Date 07.02.2020 8:03

Pos.	parts-n°	order qty	description
1	PR-TMX0016	1	BELT
2	PR-FE30168	1	AIR TENSIONER
3	PR-DB8122016	1	NUT M16 Class 8-Zn
4	PR-DS1502016	1	WASHER DECOL. M16x32x3-Zn
5	PR-FT0055	1	AIR SHAFT
6	PR-DB8522010	1	RING NYLON NUT M10-Zn flat
7	PR-DB8422016	1	RING NYLON NUT M16-Zn
8	PR-CARA01100042	1	COMPRESSOR CAB PR32/PR42
9	PR-CC1001	1	GAS CLIM. FORANE 134A 53kg
10	PR-DS3002016	1	SPRING WASHER M16X25 x4-Zn



0703-HAU

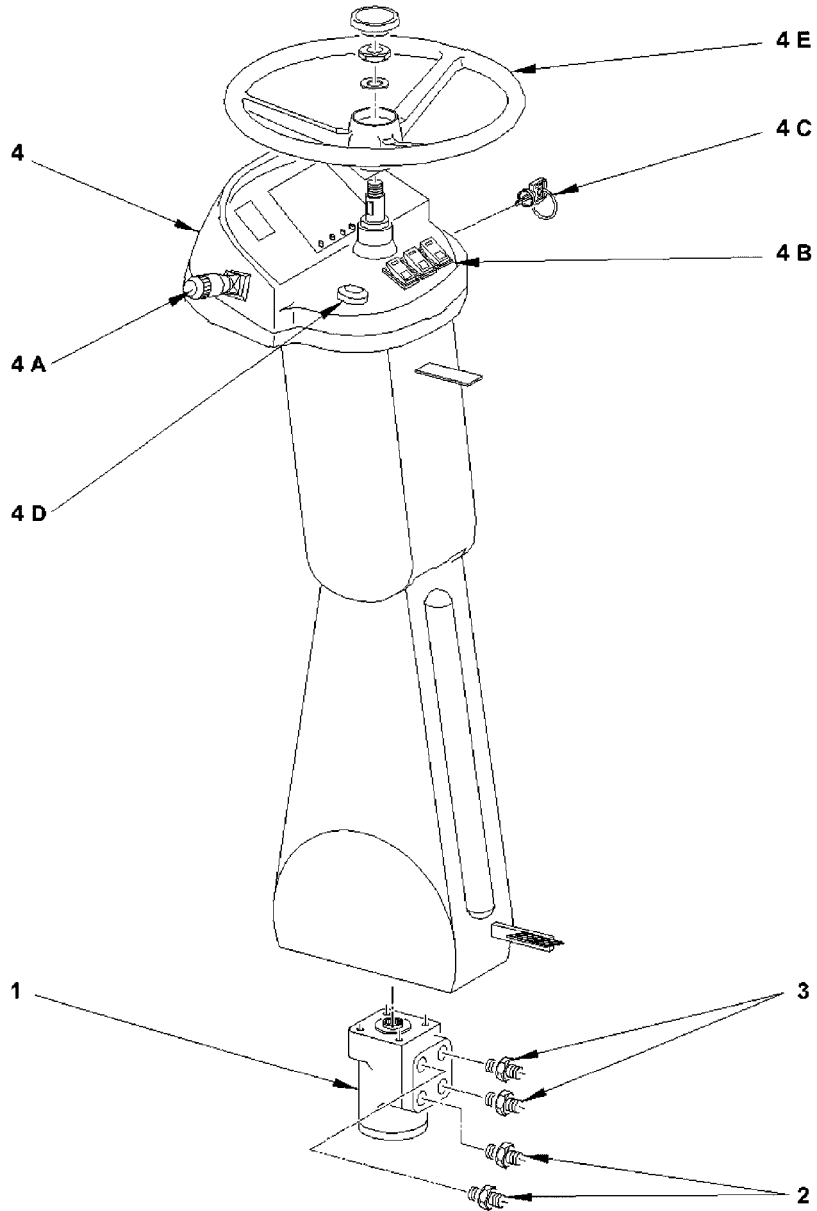


PRESIDIO SEAT & RIGHT ARMREST
0703-HAU, 11:01:16

Page 1

Date 07.02.2020 8:03

Pos.	parts-n°	order qty	description
1	PR-CA0261	1	AGRI AIR SEAT
2	PR-DB1022008025	1	HM Class 8.8 M 8X 25 SCREW
3	PR-DS1502008	1	WASHER DECOL. 0.5 M 8x18x1-Zn
4	PR-DB8422008	1	RING NYLON NUT M8-Zn
5	PR-FEPR32059	1	PLATE UNDER ARMREST PR3240
7	PR-FEPR32058	1	ARMREST SPACER PR3240
8	PR-DB5224006020	1	RHC SCREW M 6X20 STEEL BY 100
9	PR-DS1504006	1	WASHER DECOL. 0.2 M 6x14x1-Inox
10	PR-DB8444006	1	RING NYLON NUT M6 INOX
11	PR-FE280016	1	CABLE GUIDE HANDLE TRAVEL
12	PR-DB5224006025	1	RHC SCREW M6X25 STAINLESS STEEL HEADER
13	PR-DS3101006	1	SPRING WASHER M 6x15 x0.6-BR
14	PR-FE280010	1	ARM REST SUPPORT OD280
15	PR-DB5224008030	1	SCREW RHC M 8X 30 Stainless Steel
16	PR-DS3101008	1	SPRING WASHER M 8x16 x0.9-BR
17	PR-DS1504008	1	WASHER DECOL. 0.5 M 8x18x1-Inox
18	PR-DB8444008	1	RING NYLON NUT M 8 INOX
19	PR-DC0203-01	1	STAPLE PRESTOL M4
20	PR-TC0101	1	CARTER CUFF 2011
21	PR-DB3302039013	1	TAPPING SCREW st3.9x13-TCC-C
22	PR-FTPR32050	1	SEAT BUSHING Ø20 L=40 PR3240
23	PR-FEPR32112	1	SEAT BOOSTER PR3240



O704-HAU

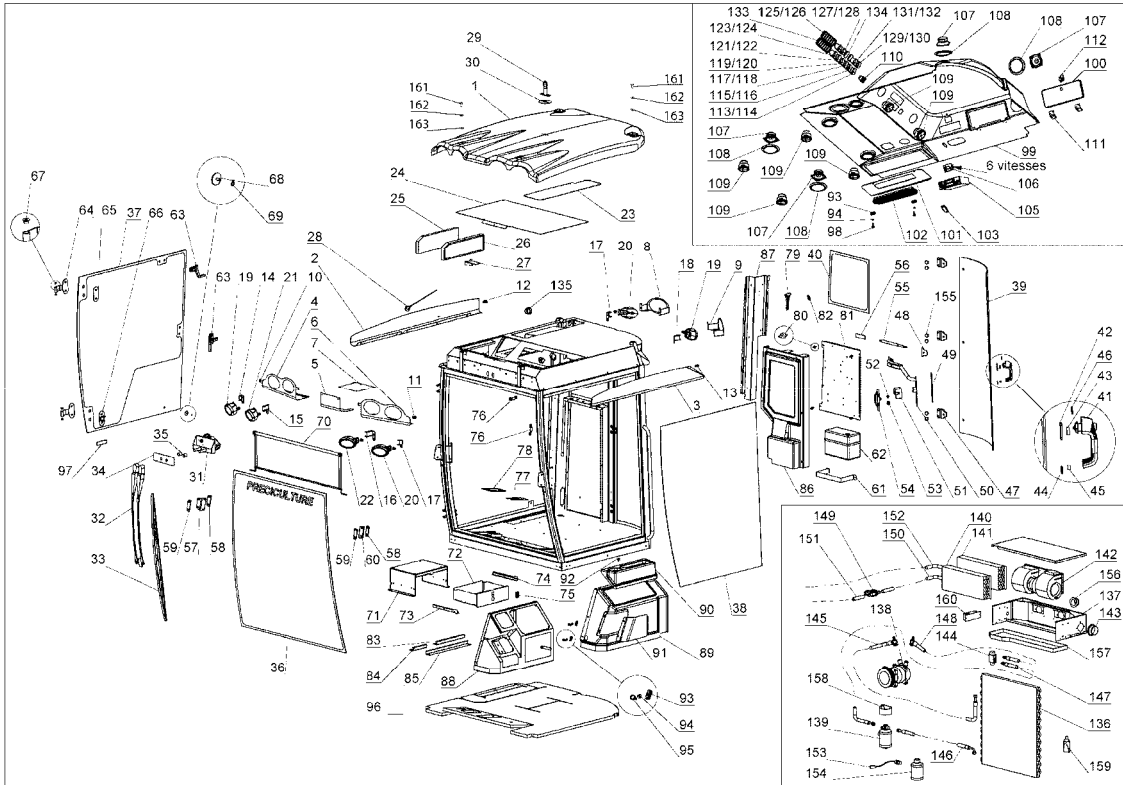


PRESIDIO STEERING COLUMN
O704-HAU, 11:01:16

Page 1

Date 07.02.2020 8:03

Pos.	parts-n°	order qty	description
1	PR-HB0004	1	ORBITROL PHAC 200 ON
2	PR-HR0110	1	HYDRAULIC CONNECTION RIGHT MJ3 / 4-MI1
3	PR-HR0121	1	HYDRAULIC CONNECTION RIGHT MJ1 / 2-MI1
4	PR-CA0190	1	STEERING COLUMN PR4240/3240
4A	PR-CA0190-01	1	STALK FOR PR4240/3240
4B	PR-CA0130-08	1	SWITCH 2-POLE
4C	PR-CA0190-02	1	KEY SWITCH PR4240/324
4E	PR-CA0190-03	1	STEERING WHEEL
4D	PR-EA0036	1	ROUND BUTTON WARNING 6HF003916011



O705-HAU



PRESIDIO CABIN
0705-HAU, 11:07:17

Page 1
Date 07.02.2020 8:03

Pos.	parts-n°	order qty	description
1	PR-CARA0650014	1	ROOF CAB
2	PR-CARB12210091	1	ROOF SHIELD, RH, CAB, PRESIDIO
3	PR-CARB12210090	1	LEFT SIDE CABIN PR3240
4	PR-CARB12210086	1	part available on request
5	PR-CARB12210088	1	part available on request
6	PR-CARB12210087	1	part available on request
7	PR-CARB12210089	1	part available on request
8	PR-CARB12210084	1	CASING LIGHT RIGHT PR3240/4240
9	PR-CARB12210085	1	CABIN LIGHT PROTECTION PR3240
10	PR-CARB12210092	1	part available on request
11	PR-CARB12210093	1	part available on request
12	PR-CARB12210094	1	BRACKET ARD PR32/4240
13	PR-CARB12210095	1	part available on request
14	PR-CARB12210079	1	part available on request
15	PR-CARB12210081	1	part available on request
16	PR-CARB12210082	1	part available on request
17	PR-CARB12210080	1	SUPPORT HEADLIGHT AVG PR32/4240
18	PR-CARB12210083	1	part available on request
19	PR-CC0026-04	1	HEADLIGHT WORKING
20	PR-CC0026-03	1	HEADLIGHT WORKING
21	PR-CARA02200142	1	part available on request
22	PR-CARA02200141	1	part available on request
23	PR-CARB12210053	1	part available on request
24	PR-CARB12210078	1	part available on request
25	PR-CA8889	1	FILTER, AIR, CABIN, PR
26	PR-CA8889	1	FILTER, AIR, CABIN, PR
27	PR-CARB12210074	1	part available on request
28	PR-CA0007	1	RADIO ANTENNA
29	PR-CARA02200144	1	BEACON LIGHT SOCKET
30	PR-CARB12210105	1	PLATE ROTATING LIGHT PR32/4240
31	PR-CA0542	1	WIPER MOTOR
32	PR-CA0069	1	ARM E.G. A / / LG 800 MM
33	PR-CA0070	1	BRUSH E.G.LONG 1000
34	PR-CARB12210068	1	part available on request
35	PR-CART12210004	1	part available on request
36	PR-CARA00200960	1	WINDSHIELD PR32/4240
37	PR-CARA00200964	1	RIGTH SIDE WINDOW OPENING
38	PR-CARA00200963	1	TEMPERED GLASS LEFT SIDE
39	PR-CARA00200961	1	DOOR GLASS, CAB, PR
40	PR-CARA00200962	1	REAR WINDOW
41	PR-CARA04100195	1	BLACK HANDEL WITH 2 KEYS
42	PR-CARA04100196	1	Base Plate
43	PR-CARA04100198	1	Base Plate
44	PR-CARA04100197	1	Base Plate
45	PR-CARA04100199	1	Base Plate
46	PR-CARB12210106	1	SEAL for CAB PR3240/4240
47	PR-CC0022-08	1	HINGE, GLASS DOOR, CAB, PR
48	PR-CARA08200089	1	Natural black rubber flap
49	PR-CARA08200088	1	Rubber flap door
50	PR-CARS12210014	1	Handrail BOOTH
51	PR-CARA04100203	1	PR3240 door lock
52	PR-CARA04100074	1	KEEPER DOOR CAB EURO 3000
53	PR-CARB11210102	1	Washer Striker plate CABIN
54	PR-CARS12210013	1	part available on request
55	PR-CARA06000028	1	CYLINDER DOOR CAB EURO 3000
56	PR-CARA06300104	1	part available on request
57	PR-CARB12210066	1	MOUNT RIGHT MIRROR
58	PR-CARB12210069	1	SHIM
59	PR-CARB12210070	1	SHIM
60	PR-CARB12210067	1	MOUNT LEFT MIRROR
61	PR-CARB12210058	1	part available on request



PRESIDIO CABIN
0705-HAU, 11:07:17

Page 2
Date 07.02.2020 8:03

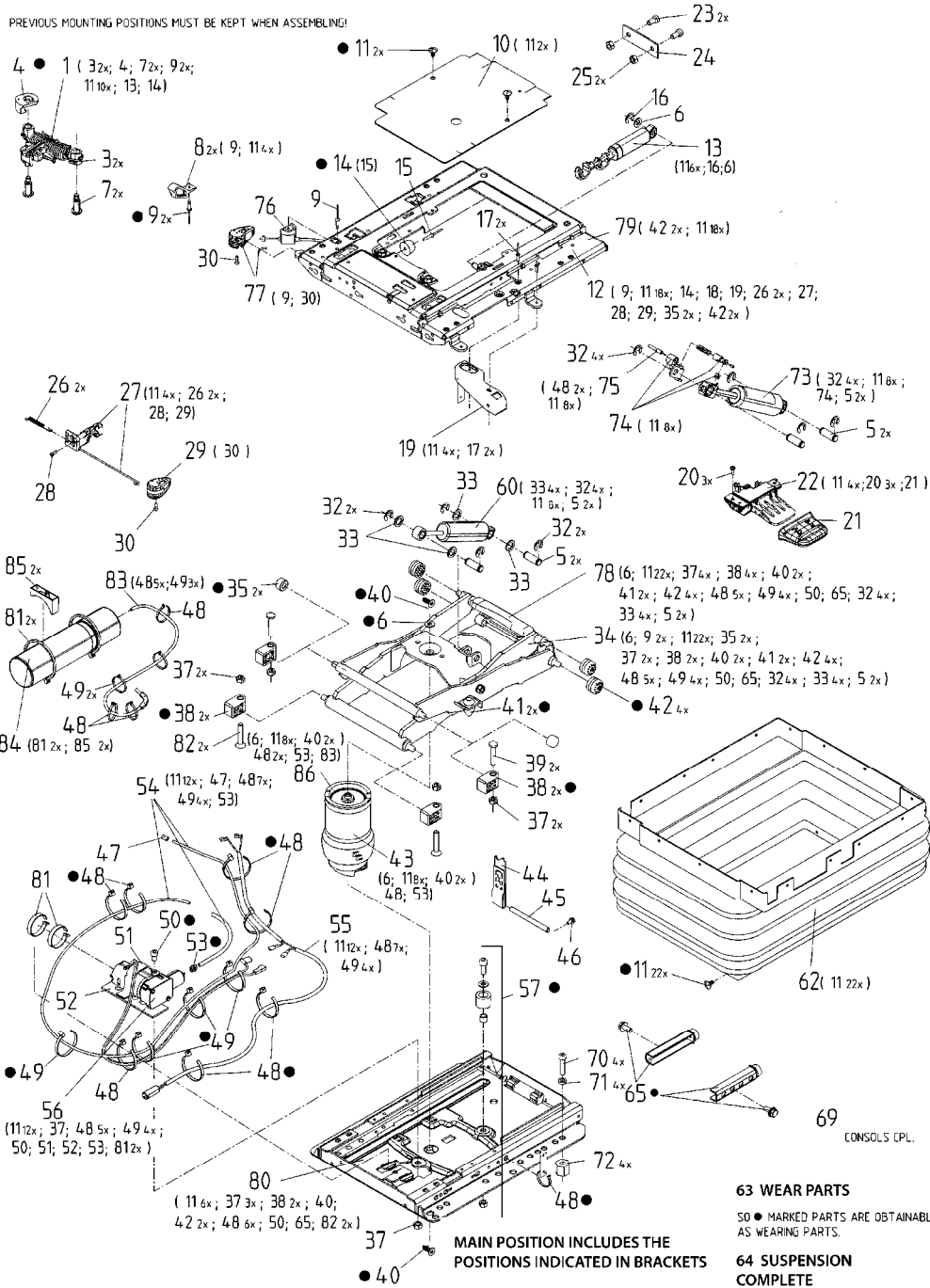
Pos.	parts-n°	order qty	description
62	PR-CARA03000140	1	part available on request
63	PR-CA0126	1	DOOR HANDLE RIGHT OR U60
64	PR-CARS12210012	1	HINGE FOR GLASS
65	PR-CARB12210104	1	PLATE FOR MOUNT GLASS
66	PR-CARB12210006	1	Glass holder strap opening
67	PR-CARA03100068	1	Bearing support for hinge
68	PR-CA0134	1	BUTTON
69	PR-CARA09200022	1	Retainer screw
70	PR-CARA06300101	1	SUN VISOR CABIN PR32/42
71	PR-CARB12210057	1	part available on request
72	PR-CARS12210015	1	part available on request
73	PR-CARA06200035	1	part available on request
74	PR-CARA06200035	1	part available on request
75	PR-CARA04100205	1	part available on request
76	PR-CARB12210077	1	part available on request
77	PR-CARB12210071	1	part available on request
78	PR-CARB12210072	1	part available on request
79	PR-CA0064	1	HAMMER ICEBREAKER
80	PR-CARA03100070	1	part available on request
81	PR-CARB12210073	1	part available on request
82	PR-CARA06300014	1	COAT HOOK
83	PR-CARB12210055	1	part available on request
84	PR-CARB12210056	1	part available on request
85	PR-CARB12210054	1	part available on request
86	PR-CARA06500122	1	part available on request
87	PR-CARA06500118	1	part available on request
88	PR-CARS12210011	1	part available on request
89	PR-CARA06500119	1	part available on request
90	PR-CARA06500121	1	part available on request
91	PR-CARA06500120	1	part available on request
92	PR-CARA04100083	1	BUTTON KNURLED diam 22 M6x20
93	PR-CARA04100049	1	part available on request
94	PR-CARA04100050	1	part available on request
95	PR-CARA04100204	1	part available on request
96	PR-CARA05000171	1	part available on request
97	PR-CARA06300027	1	part available on request
98	PR-CARA04100207	1	part available on request
99	PR-CARA06500115	1	UNDER ROOF PR34/4240
100	PR-CARA06500117	1	part available on request
101	PR-CARA06500116	1	part available on request
102	PR-CARA01100224	1	part available on request
103	PR-CARA02200119	1	part available on request
104	PR-CARA02200138	1	part available on request
105	PR-CARA02000043	1	RADIO, CAB, PRESIDIO
106	PR-CARA01100257	1	TEMPRATURE CONTROLLER
107	PR-CARA02000041	1	part available on request
108	PR-CARA02000042	1	GRILLE SPEAKER
109	PR-CARA01100067	1	GRILL VENTILATION
110	PR-CARA02300096	1	MIRROR SWITCH CAB PRESIDIO
111	PR-CARA04000008	1	part available on request
112	PR-CARA04100030	1	part available on request
113	PR-CARA02300004	1	SWITCH LIGHT WORK AGRI
114	PR-CARA02300006	1	part available on request
115	PR-CARA02300004	1	SWITCH LIGHT WORK AGRI
116	PR-CARA02300007	1	SWITCH COVER, BOOM/REAR WORKING LIGHT, PRESIDIO
117	PR-CARA02300004	1	SWITCH LIGHT WORK AGRI
118	PR-CARA02300007	1	SWITCH COVER, BOOM/REAR WORKING LIGHT, PRESIDIO
119	PR-CARA02300004	1	SWITCH LIGHT WORK AGRI
120	PR-CARA02300008	1	SYMBOL HEADLIGHT front WORK
121	PR-CARA02300004	1	SWITCH LIGHT WORK AGRI
122	PR-CARA02300008	1	SYMBOL HEADLIGHT front WORK



PRESIDIO CABIN
0705-HAU, 11:07:17

Page 3
Date 07.02.2020 8:03

Pos.	parts-n°	order qty	description
123	PR-CARA02300004	1	SWITCH LIGHT WORK AGRI
124	PR-CARA02300113	1	part available on request
125	PR-CARA02300115	1	SWITCH windscreen wiper
126	PR-CARA02300009	1	SYMBOL WIPER
127	PR-CARA02300001	1	SWITCH WASHER
128	PR-CARA02300011	1	SYMBOL WASHER
129	PR-CARA02300004	1	SWITCH LIGHT WORK AGRI
130	PR-CARA02300114	1	part available on request
131	PR-CARA02300001	1	SWITCH WASHER
132	PR-CARA02300097	1	SYMBOL DEFROST MIRRORS
133	PR-CAR625	1	SUPPORT 6 SWITCHES
134	PR-CA0086	1	COVER SWITCH
135	PR-CARA01100221	1	KF FAN NOZZLE DIRECTABLE
136	PR-CARA01000039	1	RADIATOR CONDENSER CLIM
137	PR-CARA01000040	1	part available on request
138	PR-CARA01100042	1	COMPRESSOR CAB PR32/PR42
139	PR-CARA01100124	1	BOTTLE DRYING U100
140	PR-CARA01100227	1	part available on request
141	PR-CARA01400079	1	part available on request
142	PR-CARA01100228	1	TURBINE FAN PR32/4240
143	PR-CARA01100232	1	part available on request
144	PR-CARA01100229	1	REGULATOR CLIMATE PR32/4240
145	PR-CARM01200126	1	HOSE AC md8 Cond / comp Lg: 2860mm
146	PR-CARM01200127	1	HOSE AC md6 Cond / BOTTLE Lg: 77mm
147	PR-CARM01200128	1	HOSE AC md6 Evap / Lg end: 8440mm
148	PR-CARM01200129	1	AC PIPE M10 Comp / evap Lg: 9000mm
149	PR-CARA01400071	1	SOLENOID CLIM
150	PR-CA0022	1	HOSE HEATER
151	PR-CA0022	1	HOSE HEATER
152	PR-CA0022	1	HOSE HEATER
153	PR-CARA01100125	1	substituted by CARA01100025
154	PR-CA0076-01	1	CAN OIL COOLING GAZ134A
155	PR-CARA09300023	1	BOLT COVER CAP
156	PR-CARA01100222	1	part available on request
157	PR-CARA01100230	1	CONDENSATION DRIP PAN
158	PR-CARB12210107	1	CLAMP
159	PR-CARA001100157	1	part available on request
160	PR-CARA001100265	1	part available on request
161	PR-CA0059	1	RUBBER WASHER, ROOF CAB, PR
162	471122	1	WASHER, M10, Ø20/10.5X 2.0, SS
163	421002	1	BOLT HEX 8.8 DEL M10X30 FT DIN933



O706-HAU

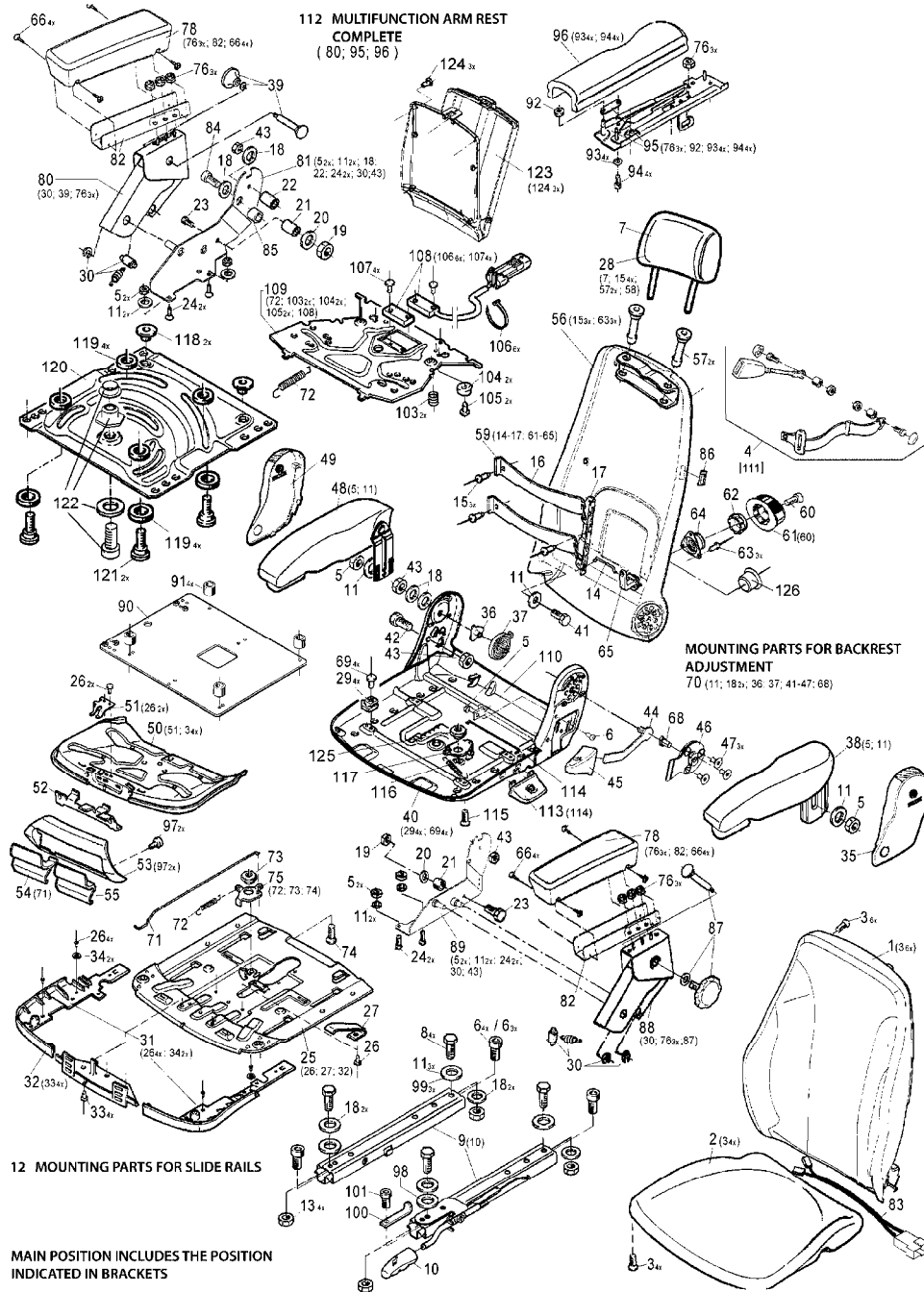


PRESIDIO SEAT LOWER PART
0706-HAU, 11:01:16

Page 1

Date 07.02.2020 8:03

Pos.	parts-n°	order qty	description
1	PR-CAR1096591	1	part available on request
3	PR-CAR118352	1	part available on request
4	PR-CAR1114351	1	part available on request
7	PR-CAR1066177	1	part available on request
8	PR-CAR130617	1	part available on request
9	PR-CAR126617	1	part available on request
10	PR-CAR133655	1	part available on request
12	PR-CAR1097948	1	part available on request
13	PR-CAR130600	1	SHOCKABSORBER AIR BASE
14	PR-CAR1096582	1	part available on request
15	PR-CAR104551	1	part available on request
16	PR-CAR115391	1	part available on request
18	PR-CAR122826	1	part available on request
19	PR-CAR132144	1	SYSTEM UPGRADE GRAMMER
20	PR-CAR138781	1	part available on request
21	PR-CAR138628	1	part available on request
22	PR-CAR132146	1	AIR CONTROL SEAT
23	PR-CAR122949	1	part available on request
24	PR-CAR134291	1	part available on request
25	PR-CAR110291	1	part available on request
26	PR-CAR1137842	1	part available on request
27	PR-CAR1096566	1	part available on request
28	PR-CAR1040030	1	part available on request
29	PR-CAR130119	1	part available on request
30	PR-CAR132414	1	part available on request
32	PR-CAR901009	1	part available on request
34	PR-CAR139566	1	part available on request
35	PR-CAR1021662	1	part available on request
38	PR-CAR1117515	1	part available on request
41	PR-CAR200072	1	part available on request
42	PR-CAR122704	1	PULLEY
43	PR-CAR1081315	1	part available on request
44	PR-CAR133313	1	part available on request
45	PR-CAR123883	1	part available on request
46	PR-CAR10181	1	part available on request
54	PR-CAR1096956	1	part available on request
55	PR-CAR132155	1	part available on request
56	PR-CAR130591	1	COMPRESSOR SEAT GRAMMER
60	PR-CAR137815	1	SHOCK AIR BASE
62	PR-CAR132148	1	BELLOWS
63	PR-CAR1096585	1	part available on request
64	PR-CAR134632	1	COMPLETE AIR BASE
65	PR-CAR136685	1	part available on request
80	PR-CAR140251	1	part available on request



O707-HAU



PRESIDIO SEAT UPPER PART
0707-HAU, 11:01:16

Page 1
Date 07.02.2020 8:03

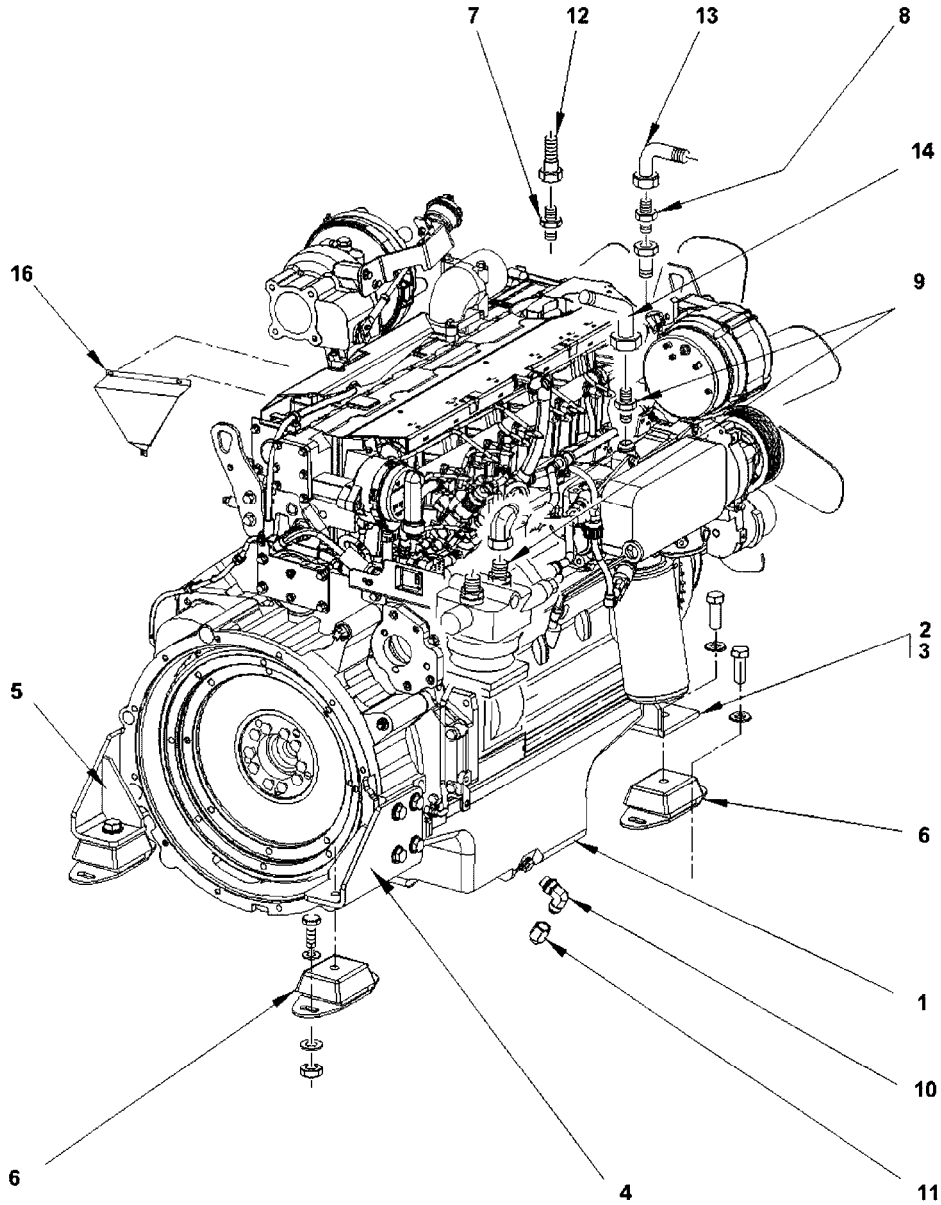
Pos.	parts-n°	order qty	description
1	PR-CAR1049214	1	part available on request
2	PR-CAR1026538	1	part available on request
3	PR-CAR1054392	1	part available on request
4	PR-CAR1054002	1	part available on request
5	PR-CAR110291	1	part available on request
6	PR-CAR122949	1	part available on request
8	PR-CAR111030	1	part available on request
9	PR-CAR140733	1	part available on request
10	PR-CAR138928	1	part available on request
11	PR-CAR113290	1	part available on request
12	PR-CAR140683	1	part available on request
13	PR-CAR139843	1	part available on request
18	PR-CAR110489	1	part available on request
19	PR-CAR113354	1	part available on request
21	PR-CAR110190	1	part available on request
22	PR-CAR113333	1	part available on request
23	PR-CAR117315	1	part available on request
24	PR-CAR128019	1	part available on request
30	PR-CAR137387	1	part available on request
35	PR-CAR1088780	1	part available on request
36	PR-CAR140684	1	part available on request
37	PR-CAR131517	1	part available on request
38	PR-CAR1100875	1	part available on request
39	PR-CAR137385	1	WHEEL SET MULTI ARM
40	PR-CAR140954	1	part available on request
41	PR-CAR118558	1	part available on request
43	PR-CAR113048	1	part available on request
44	PR-CAR140695	1	part available on request
45	PR-CAR140694	1	part available on request
46	PR-CAR1131378	1	part available on request
47	PR-CAR136122	1	part available on request
56	PR-CAR140957	1	part available on request
57	PR-CAR138691	1	part available on request
66	PR-CAR111027	1	SCREW ARM
70	PR-CAR140960	1	part available on request
76	PR-CAR100938	1	part available on request
78	PR-CAR140353	1	RIGHT ARM GRAMMER
80	PR-CAR137390	1	part available on request
81	PR-CAR141187	1	part available on request
82	PR-CAR139816	1	PROFILE U ARM D GRAMMER
86	PR-CAR140226	1	part available on request
110	PR-CAR1031762	1	part available on request
113	PR-CAR140672	1	part available on request
114	PR-CAR138877	1	part available on request
115	PR-CAR132321	1	part available on request
116	PR-CAR116226	1	part available on request
117	PR-CAR139246	1	part available on request
118	PR-CAR10487	1	part available on request
119	PR-CAR103046	1	part available on request
120	PR-CAR1080473	1	part available on request
121	PR-CAR1120784	1	part available on request
122	PR-CAR1059547	1	part available on request
123	PR-CAR132319	1	part available on request
124	PR-CAR17928	1	part available on request
125	PR-CAR142259	1	DOCUMENTS DRAWER
126	PR-CAR140844	1	part available on request



PRESIDIO ENGINE
P700-HAU, 11:01:16

Page 0

Date 07.02.2020 8:03



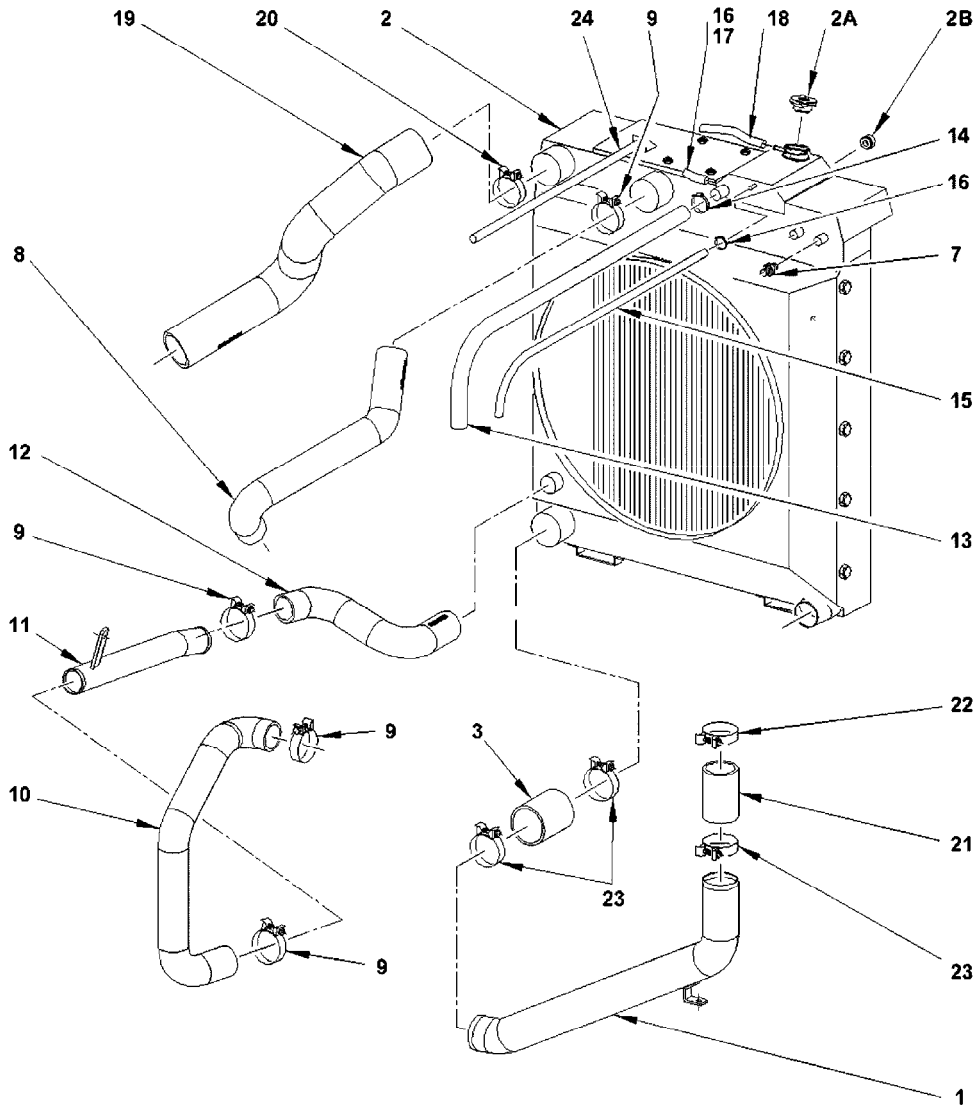
P700-HAU



PRESIDIO ENGINE
P700-HAU, 11:01:16

Page 1
Date 07.02.2020 8:03

Pos.	parts-n°	order qty	description
1	PR-MA0356	1	COMBUSTION ENGINE TCD2012L06 2V 129KW/
2	PR-FEPR32004	1	FRONT LEFT ENGINE MOUNT PR3240
3	PR-FEPR32005	1	FRONT RIGHT ENGINE MOUNT PR3240
4	PR-FE200013	1	FRONT LEFT BRACKET DEUTZ
5	PR-FE200014	1	FRONT RIGHT BRACKET DEUTZ
6	PR-DD0241	1	SUSPENSION FOR TRIFLEX2 UTL 6CYL 75sh
7	PR-HR0146	1	HYDRAULIC CONNECTION RIGHT MJ11/16-MI1
8	PR-HR0120	1	HYDRAULIC CONNECTION RIGHT MJ11/16-MDC
9	PR-HR0119	1	HYDRAULIC CONNECTION RIGHT MJ11/16-MI2
10	PR-HR0137	1	HYDRAULIC CONNECTION ELBOW MJ3 / 4 90-
11	PR-HR9003	1	BFJ PLUG 3/4
12	PR-HR0770	1	RIGHT END CS 19 FJ11/16 "
13	PR-HR0599	1	TIP ELBOW CS 16 90 FJ11/16 "
14	PR-HR0649	1	TIP ELBOW CS 16 FJ11/16 45 "
16	PR-FEPR32060	1	STARTER PROTECTIVE PLATE PR3240



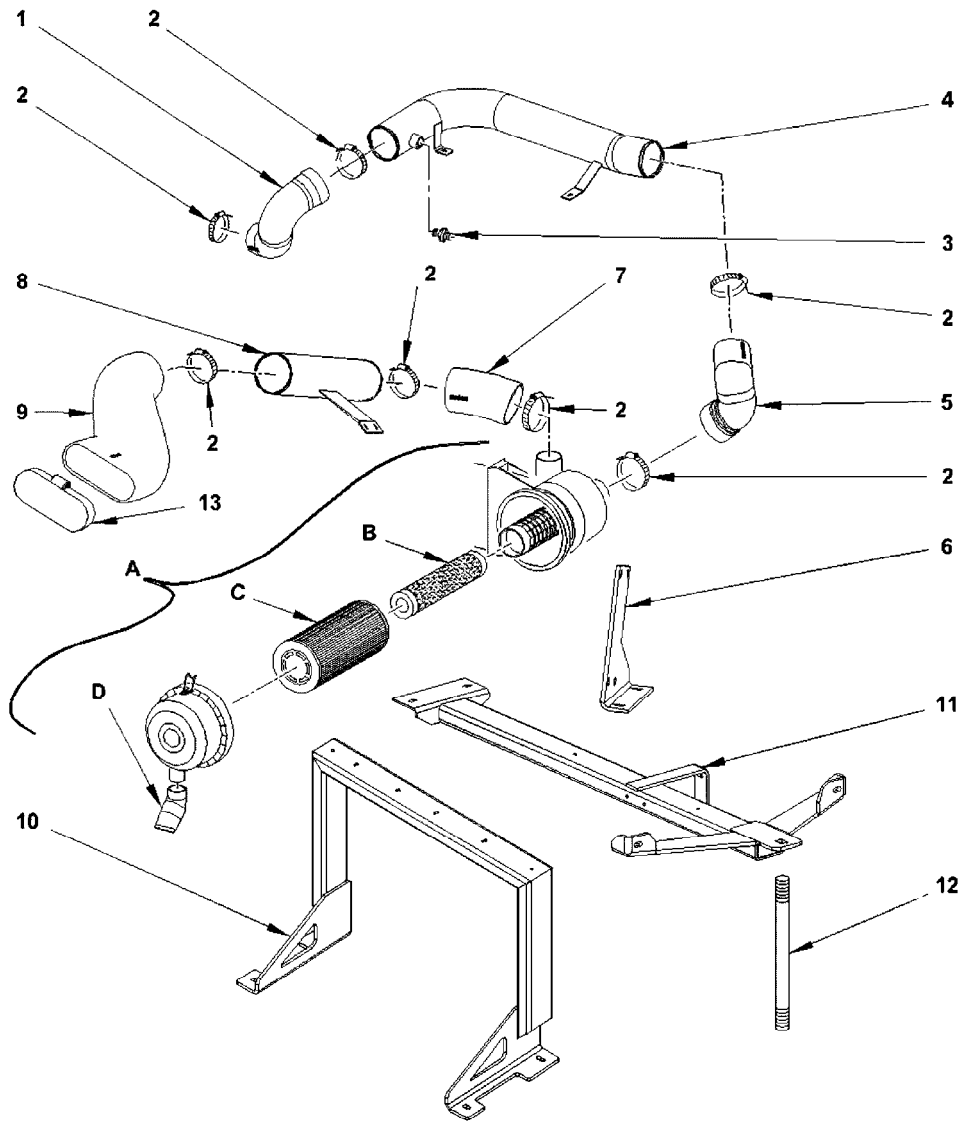
P701-HAU



PRESIDIO RADIATOR/CONNECTORS
P701-HAU, 11:01:16

Page 1
Date 07.02.2020 8:04

Pos.	parts-n°	order qty	description
2A	PR-MX0150-01	1	CAP
2B	PR-MX0150-02	1	PLUG (substituted by MX0108)
1	PR-FEPR32027	1	TURBO STEEL OUTPUT INPUT INTERCOOL
2	PR-MX0150	1	RADIATOR PRESIDIO
7	PR-HR0093	1	HEX NIPPLE #16JICM-#16BSPPM
8	PR-DD0463	1	HOSE
9	PR-DC0021	1	CLAMP 50-65MM
10	PR-DD0216	1	HOSE
11	PR-FEPR25024	1	ENGINE INLET SLEEVE PR2540
12	PR-DD0462	1	HOSE
13	PR-DD0089	1	HOSE HOT MAX DIAM 20/30
14	PR-DC0053	1	CLAMP 20 A 32 MM
15	PR-HT0021	1	HOSE 5/16 7.9/15 DIAM to GO "
16	PR-DC0040	1	CLAMP BC 8 DIAM 8-16 STEEL
17	PR-HT0021	1	HOSE 5/16 7.9/15 DIAM to GO "
18	PR-HT0021	1	HOSE 5/16 7.9/15 DIAM to GO "
19	PR-DD0465	1	HOSE
20	PR-DC0023	1	CLAMP 80-85MM
21	PR-DD0474	1	HOSE Ø70 INT LG 120MM NOMEX
22	PR-DC0022	1	CLAMP 76-82MM
23	PR-DC0022	1	CLAMP 76-82MM
24	PR-DB70220101000	1	part available on request



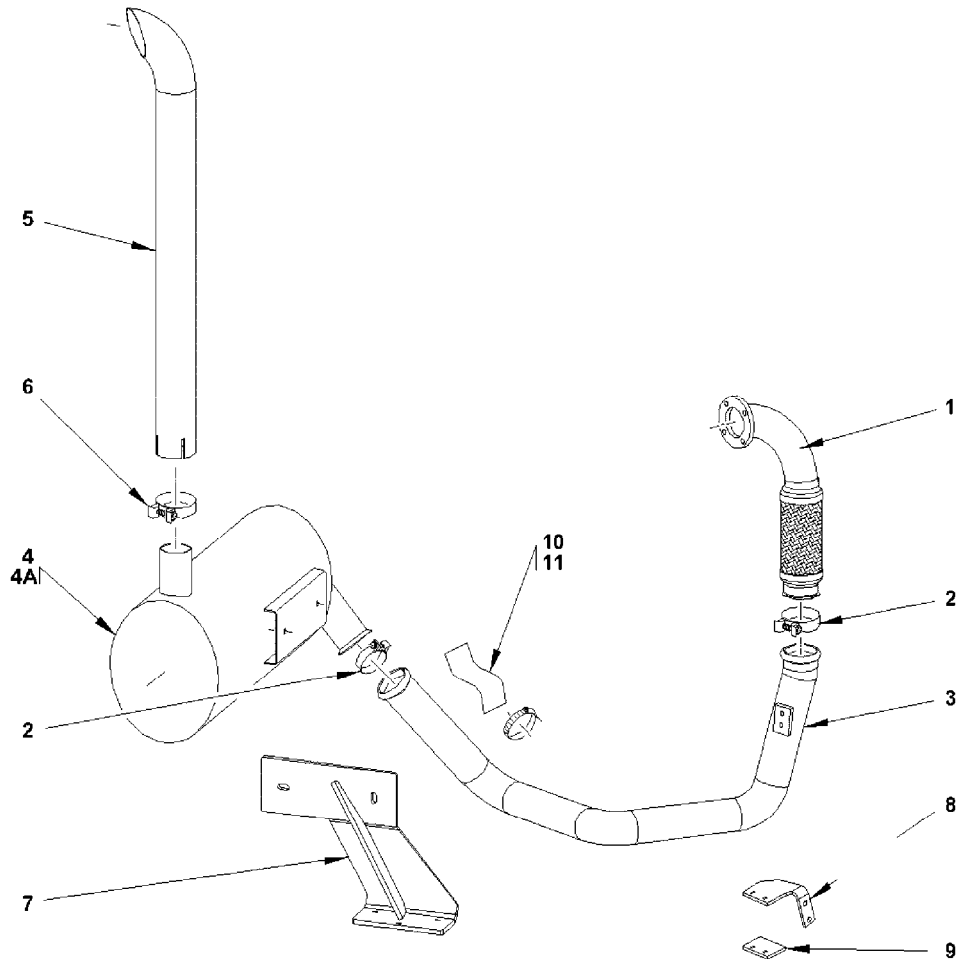
P702-HAU



PRESIDIO AIR FILTER
P702-HAU, 11:01:16

Page 1
Date 07.02.2020 8:04

Pos.	parts-n°	order qty	description
1	PR-DD0464	1	HOSE
2	PR-DC0047	1	CLAMP DIAMETER :104-138 LG: 12MM
3	PR-HR0087	1	HEX FITTING #12 JIC M X G3/4" M STR
4	PR-FEPR32026	1	TURBO AIR FILTER SLEEVE PR324
5	PR-DD0467	1	HOSE
6	PR-FEPR32086	1	AIR FILTER SUPPORT PR3240
7	PR-DD0461	1	HOSE
8	PR-FEPR32025	1	SLEEVE INLET AIR FILTER
9	PR-DD0460	1	HOSE
10	PR-FEPR25073	1	ENGINE HOOD SUPPORT PR2540
11	PR-FEPR32074	1	ENGINE HOOD RAIL PR3240
12	PR-FTPR32055	1	ANCHOR SHAFT
13	PR-DC0049	1	CLAMP DIAMETER :130-165 PAR 20
A	PR-MA0073	1	DEUTZ AIR FILTER 34X4
B	PR-MA0015	1	FILTER, AIR, SECURITY, DEUTZ, PR
C	PR-MA0014	1	FILTER, AIR, PRIMARY, DEUTZ, PR
D	PR-MA0193	1	FILTER DUST EJECTOR BF6M2012



P703-HAU



PRESIDIO EXHAUST SYSTEM
P703-HAU, 11:01:16

Page 1

Date 07.02.2020 8:04

Pos.	parts-n°	order qty	description
1	PR-FEPR32030	1	SORTIE TURBO VERS ECHAP. PR3240
2	PR-FEPR32030-01	1	COLLAR BOMB EXHAUST PR32 / 4
3	PR-FEPR25023	1	EXHAUST PIPE PR2540
4	PR-FEPR32028	1	PR3240 STAINLESS STEEL MUFFLER
4A	PR-FEPR32028-01	1	EXHAUST GRILL PR3240
5	PR-FEPR32029	1	SILENT STEEL OUTPUT PR3240
6	PR-MX0426-02	1	COLLAR FOR DIAM 92 MX0426
7	PR-FEPR32072	1	MUFFLER SUPPORT PR3240
8	PR-FEPR32023-01	1	EXHAUST PIPE SUPPORT PR3240
10	PR-DP0034	1	SILONTEX BAND: 50 X 2 mm
11	PR-DC0048	1	CLAMP DIAMETER :77-95 LG: 12MM



PRESIDIO DIESEL OIL CIRCUIT
P704-HAU, 11:01:16

Page 1

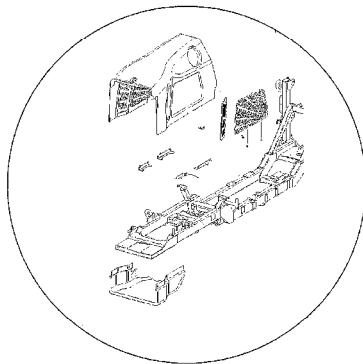
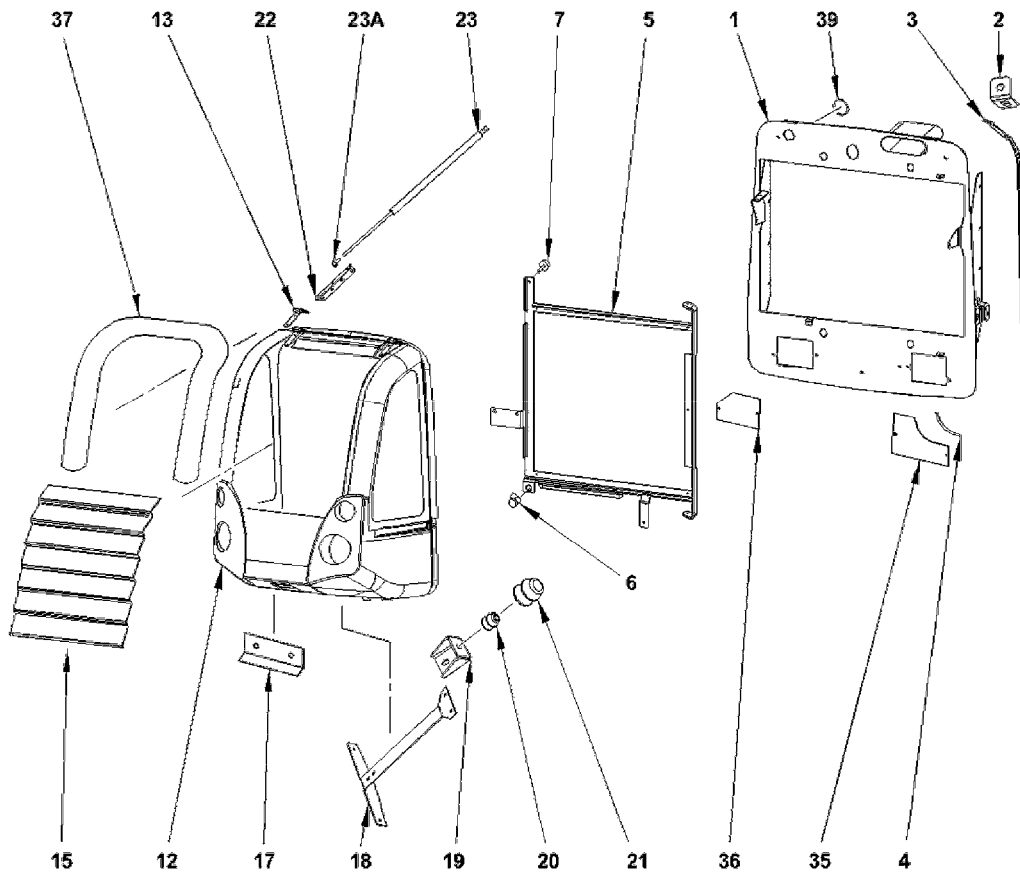
Date 07.02.2020 8:04

Pos.	parts-n°	order qty	description
1	PR-MA0053	1	HOLLOW SCREW CONNECTION FOR 16x150
2	PR-MA0052	1	COPPER SEAL BY BANJO 100
3	PR-MA0051	1	GAS OIL FILTER BANJO
4	PR-DC0039	1	CLAMP BC 9 DIAM 12-20 SS
5	PR-HT0022	1	HOSE 1/2 DIAM 12.7/20 for GO "
6	PR-EC0054	1	DUCT PVC SIB DIAM 22
7	PR-FE44005	1	FLEXIBLE PROTECTION OIL
8	PR-HR1021	1	HYDRAULIC CONNECTION ELBOW MJ3 / 4-MI1
9	PR-HR0753	1	RIGHT END CS FJ3 13/4 "
10	PR-DB1022010040	1	HM Class 8.8 M 10X 40 SCREW
11	PR-DS1502010	1	WASHER DECOL. M10x22x2-Zn
12	PR-DB8422010	1	RING NYLON NUT M10-Zn
A	PR-MA0237-04	1	FILTER, FUEL, DEUTZ, PR
B	PR-MA0342-02	1	FILTER, FUEL, WATER SEPARATOR, DEUTZ, PR



PRESIDIO ENGINE COVER 1
P705-HAU, 11:01:16

Page 0
Date 07.02.2020 8:04



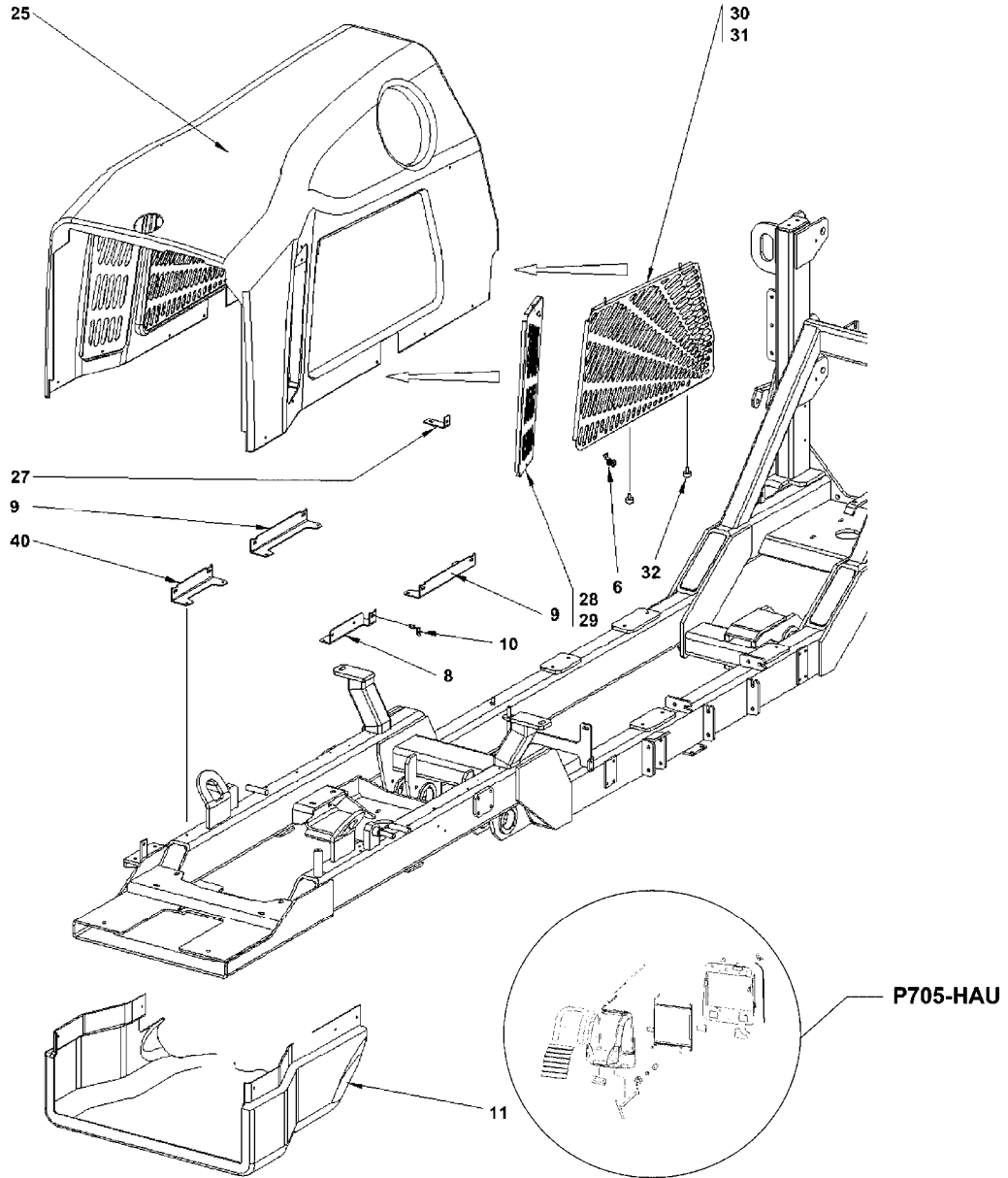
P705-HAU



PRESIDIO ENGINE COVER 1
P705-HAU, 11:01:16

Page 1
Date 07.02.2020 8:04

Pos.	parts-n°	order qty	description
1	PR-FEPR32014	1	PLATE RADIATOR SUPPORT PR3240
2	PR-FEPR32053	1	HOOD MOUNT BRACKET PR3240
3	PR-CA0512	1	JOINT BELLOWS
4	PR-DP0001	1	PLATE PROTECTION TRIM
5	PR-FEPR32075	1	RADIATOR SUPPORT PR3240
6	PR-DD0240	1	LOCK REF + 91 1 5001
7	PR-DD0344	1	STOP RUBBER M8x27 Ø30 H15
8	PR-FEPR25085	1	FRONT LEFT CORNER MOUNT HOOD
9	PR-FEPR25084	1	REAR CORNER MOUNT HOOD
10	PR-DC0204-01	1	SPEED NUT M8
11	PR-TC0176	1	ENGINE COVER LOWER PR2540
12	PR-TC0151	1	RADIATOR HOOD PR3240 PR4240
13	PR-DD0398	1	HINGE STAINLESS 1020.06330
14	PR-FEPR32051	1	PLYWOOD HINGES PR3240
15	PR-FEPR32044	1	HOOD GRILL, FRONT
16	PR-DB3030	1	RIVET DIAM 4 L16 ALU
17	PR-FEPR32048	1	HANDLE HOOD NOSE PRESIDIO
18	PR-FEPR32076	1	BRACKET, T-SHAPED, HOOD, NOSE CONE
19	PR-FEPR32077	1	HOOK BONNET PR3240
20	PR-DD0020	1	STOP MALE WITH FIXING M788003
21	PR-DD0021	1	STOP FEMALE + M788004 FIXING
22	PR-FEPR32050	1	GAS CYLINDER MOUNT BRACKET
23	PR-DD0341	1	GAS SPRING D10 C: 400 F: 200N
23A	PR-DD0342	1	BALL ø13 DD0341, DD0346, DD0347
25	PR-TC0175S	1	HOOD RED PRESIDIO
27	PR-FEPR32089	1	HOOD ANCHOR PR3240
28	PR-FEPR32038	1	SIDE COVER RIGHT FRONT ENGINE HOOD
29	PR-FEPR32039	1	SIDE COVER LEFT FRONT ENGINE HOOD
30	PR-FEPR32035	1	RIGHT SIDE COVER ENGINE HOOD
31	PR-FEPR32037	1	LEFT SIDE COVER ENGINE HOOD
32	PR-DD0256	1	PLOT FIXING CASE U 100
35	PR-FEPR32056	1	COVER LEFT PLATE NOSE PR3240
36	PR-FEPR32055	1	COVER RIGHT PLATE NOSE PR3240
37	PR-TC0159S	1	COVER RAD. AGRI RED
38	PR-DB3042	1	STAINLESS RIVET 4.8 L16
39	PR-CA0129	1	GROMMET D.45
40	PR-FEPR25086	1	FRONT RIGHT CORNER MOUNT HOOD



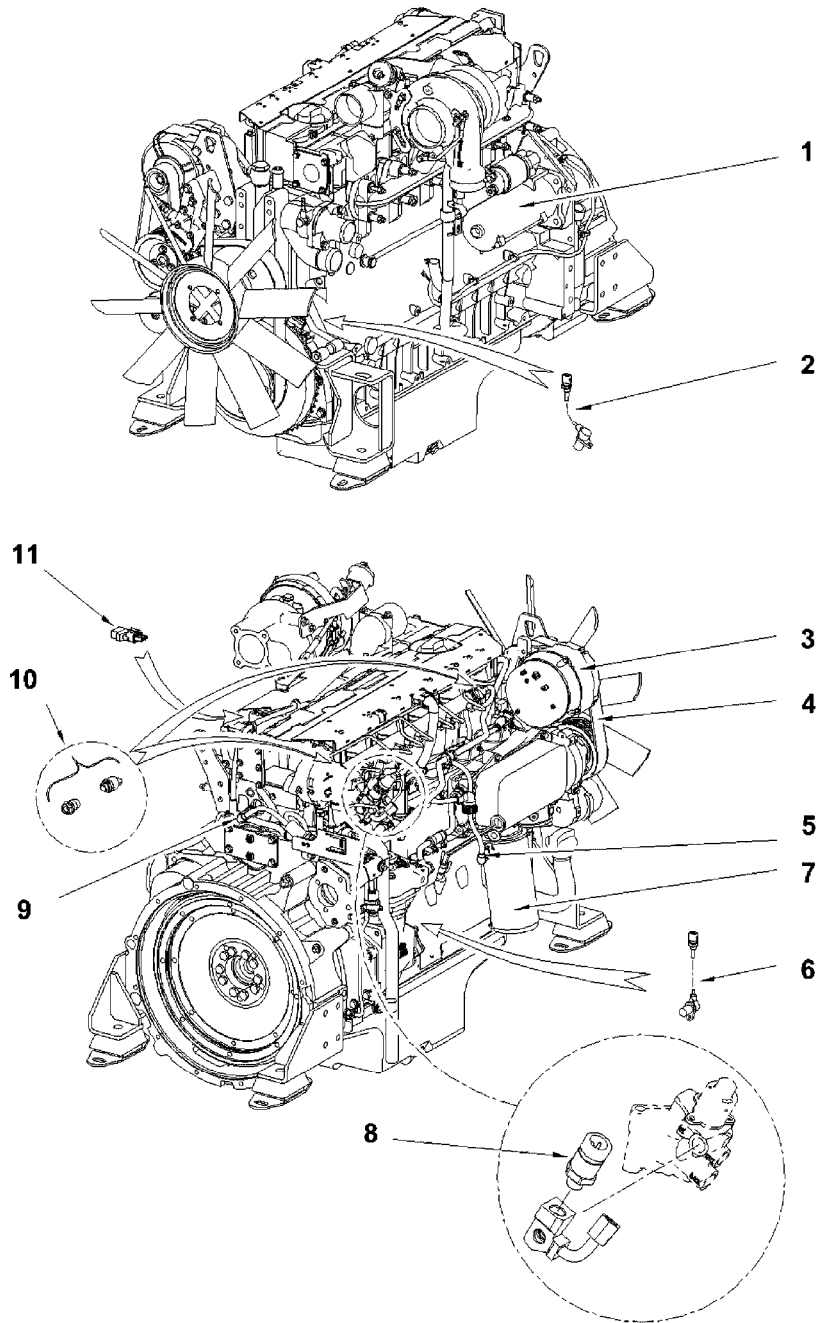
P706-HAU



PRESIDIO ENGINE COVER 2
P706-HAU, 11:01:16

Page 1
Date 07.02.2020 8:04

Pos.	parts-n°	order qty	description
1	PR-FEPR32014	1	PLATE RADIATOR SUPPORT PR3240
2	PR-FEPR32053	1	HOOD MOUNT BRACKET PR3240
3	PR-CA0512	1	JOINT BELLOWS
4	PR-DP0001	1	PLATE PROTECTION TRIM
5	PR-FEPR32075	1	RADIATOR SUPPORT PR3240
6	PR-DD0240	1	LOCK REF + 91 1 5001
7	PR-DD0344	1	STOP RUBBER M8x27 Ø30 H15
8	PR-FEPR25085	1	FRONT LEFT CORNER MOUNT HOOD
9	PR-FEPR25084	1	REAR CORNER MOUNT HOOD
10	PR-DC0204-01	1	SPEED NUT M8
11	PR-TC0176	1	ENGINE COVER LOWER PR2540
12	PR-TC0151	1	RADIATOR HOOD PR3240 PR4240
13	PR-DD0398	1	HINGE STAINLESS 1020.06330
14	PR-FEPR32051	1	PLYWOOD HINGES PR3240
15	PR-FEPR32044	1	HOOD GRILL, FRONT
16	PR-DB3030	1	RIVET DIAM 4 L16 ALU
17	PR-FEPR32048	1	HANDLE HOOD NOSE PRESIDIO
18	PR-FEPR32076	1	BRACKET, T-SHAPED, HOOD, NOSE CONE
19	PR-FEPR32077	1	HOOK BONNET PR3240
20	PR-DD0020	1	STOP MALE WITH FIXING M788003
21	PR-DD0021	1	STOP FEMALE + M788004 FIXING
22	PR-FEPR32050	1	GAS CYLINDER MOUNT BRACKET
23	PR-DD0341	1	GAS SPRING D10 C: 400 F: 200N
23A	PR-DD0342	1	BALL ø13 DD0341, DD0346, DD0347
25	PR-TC0175S	1	HOOD RED PRESIDIO
27	PR-FEPR32089	1	HOOD ANCHOR PR3240
28	PR-FEPR32038	1	SIDE COVER RIGHT FRONT ENGINE HOOD
29	PR-FEPR32039	1	SIDE COVER LEFT FRONT ENGINE HOOD
30	PR-FEPR32035	1	RIGHT SIDE COVER ENGINE HOOD
31	PR-FEPR32037	1	LEFT SIDE COVER ENGINE HOOD
32	PR-DD0256	1	PLOT FIXING CASE U 100
35	PR-FEPR32056	1	COVER LEFT PLATE NOSE PR3240
36	PR-FEPR32055	1	COVER RIGHT PLATE NOSE PR3240
37	PR-TC0159S	1	COVER RAD. AGRI RED
38	PR-DB3042	1	STAINLESS RIVET 4.8 L16
39	PR-CA0129	1	GROMMET D.45
40	PR-FEPR25086	1	FRONT RIGHT CORNER MOUNT HOOD



P707-HAU



PRESIDIO DEUTZ ENGINE PARTS
P707-HAU, 11:01:16

Page 1
Date 07.02.2020 8:04

Pos.	parts-n°	order qty	description
1	PR-MA0021	1	STARTER 12V/3Kw BF4M/6M1013
2	PR-MA0209-06	1	SENSOR GEAR BIS
3	PR-MA0235	1	ALTERNATOR 12V/150A BF4M/6M2012
4	PR-MA0373	1	BELT
5	PR-MA0209-03	1	OIL PRESSURE SENSOR
6	PR-MA0209-05	1	ENGINE SPEED SENSOR
7	PR-MA0009	1	FILTER, OIL, DEUTZ, PR
8	PR-MA0209-02	1	FUEL PRESSURE SENSOR
9	PR-MA0256	1	WATER TEMPERATURE SENSOR
10	PR-MA0376	1	VALVE AND RAIL PRESSURE SENSOR
11	PR-MA0209-01	1	PRESSURE SENSOR TURBO