



Agroparts: www.HARDI-INTERNATIONAL.com

P P6/P8

Country-Code 11

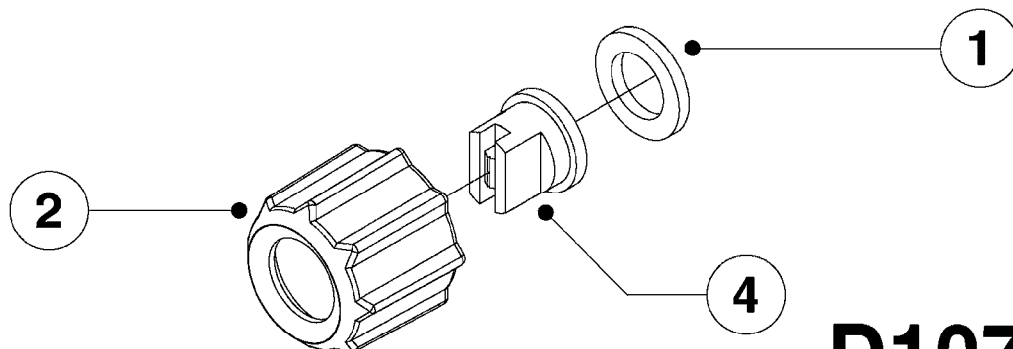
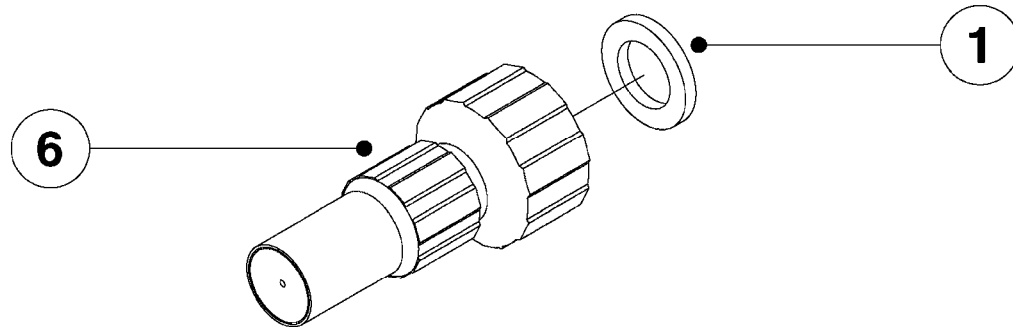
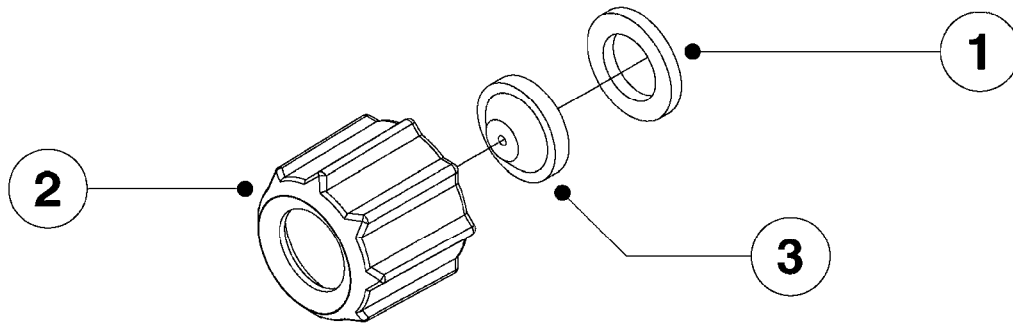
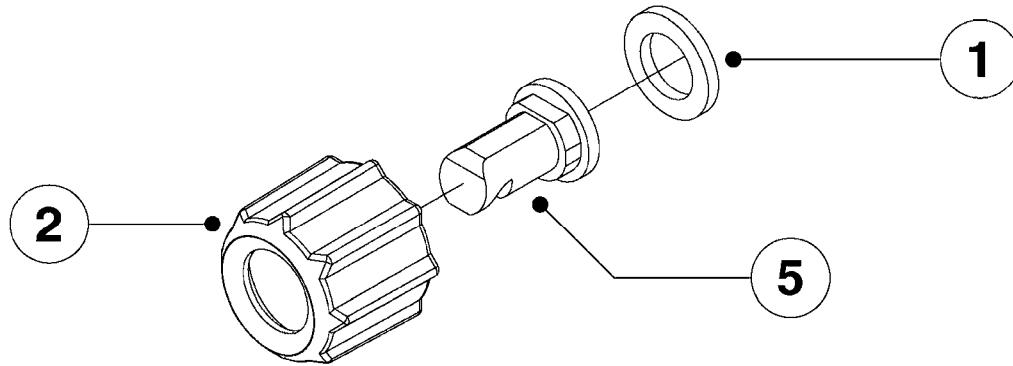
Date 07.02.2020 7:58

P6/P8





main group	page-n°	date	description
Booms, Nozzle Bodies & Tubes	D1070-HIN	01:01:16	NOZZLES - HANDHELD SPRAYERS
Hand-operated Sprayers	J0070-HIN	09:06:16	TRIGGER VALVE ASSEMBLY '00
	J0090-HIN	01:01:16	SPRY SHIELDS F.HND-HLD SPRY 01
	J0140-HIN	16:11:17	HAND HELD SPRAYER P6/P8
	J0150-HIN	01:01:16	SPRAY WAND



D1070

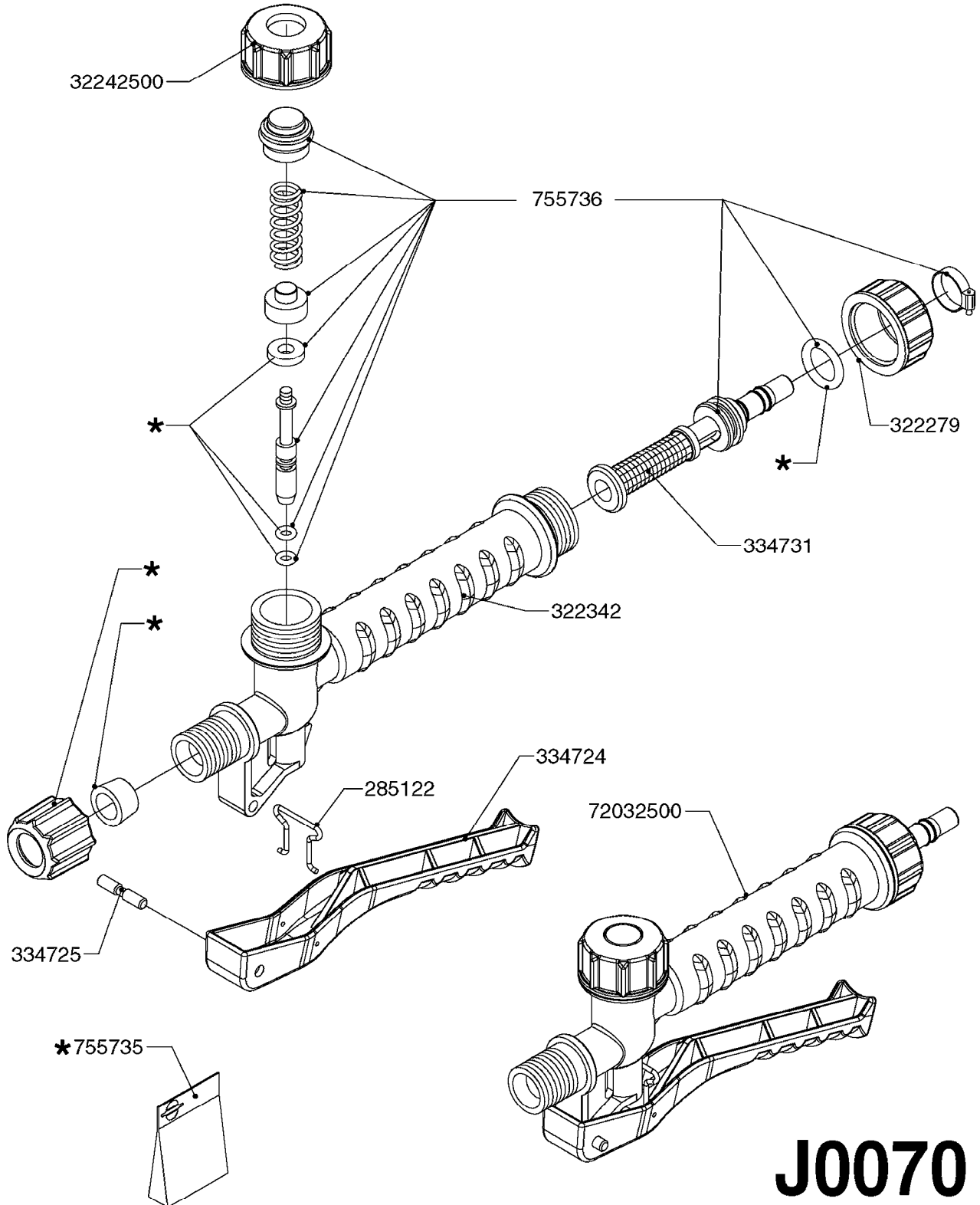


NOZZLES - HANDHELD SPRAYERS
D1070-HIN, 01:01:16

Page 1

Date 07.02.2020 7:58

Pos.	parts-n°	order qty	description
1	242370	1	BACKING WASHER
2	322343	1	NOZZLE CAP M18 X 1.5 - 1999
3	371682	1	HOLLOW CONE SPRAY TIP, RED
3	371694	1	HOLLOW CONE SPRAY TIP, YELLOW
3	371695	1	HOLLOW CONE SPRAY TIP, BROWN
3	371696	1	HOLLOW CONE SPRAY TIP, GREY
4	371706	1	NOZZLE ISO F-01-110 ORANGE
4	371707	1	NOZZLE ISO F-015-110 GREEN
4	371708	1	NOZZLE ISO F-02-110 YELLOW
4	371709	1	NOZZLE ISO F-03-110 BLUE
4	371710	1	NOZZLE ISO F-04-110 RED
4	371711	1	NOZZLE ISO F-05-110 BROWN
4	371712	1	NOZZLE ISO F-06-110 GREY
4	371713	1	NOZZLE ISO F-08-110 WHITE
4	371857	1	NOZZLE FAN JET 02E80 YELLOW
4	371946	1	NOZZLE ISO F-025-110 LILAC
4	371963	1	NOZZLE ISO F-075-110 PINK
4	371966	1	NOZZLE ISO F-10-110 LT BLUE
5	372020	1	NOZZLE REFLEX YELLOW AN 0.6
5	372021	1	NOZZLE REFLEX GREEN AN 1.2
5	372022	1	REFL.NOZZLE AN 1.8 BLUE
5	372023	1	NOZZLE FLOOD AN 2.4 RED
6	755835	1	ADJUSTABLE NOZZLE



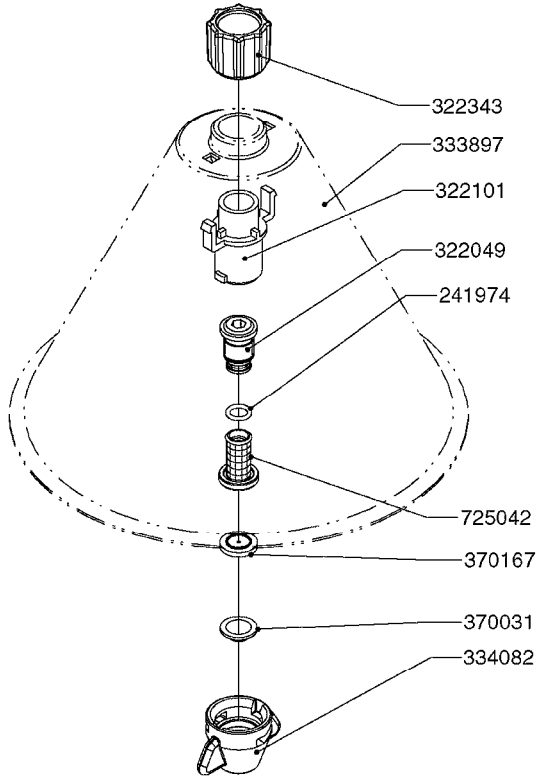
J0070



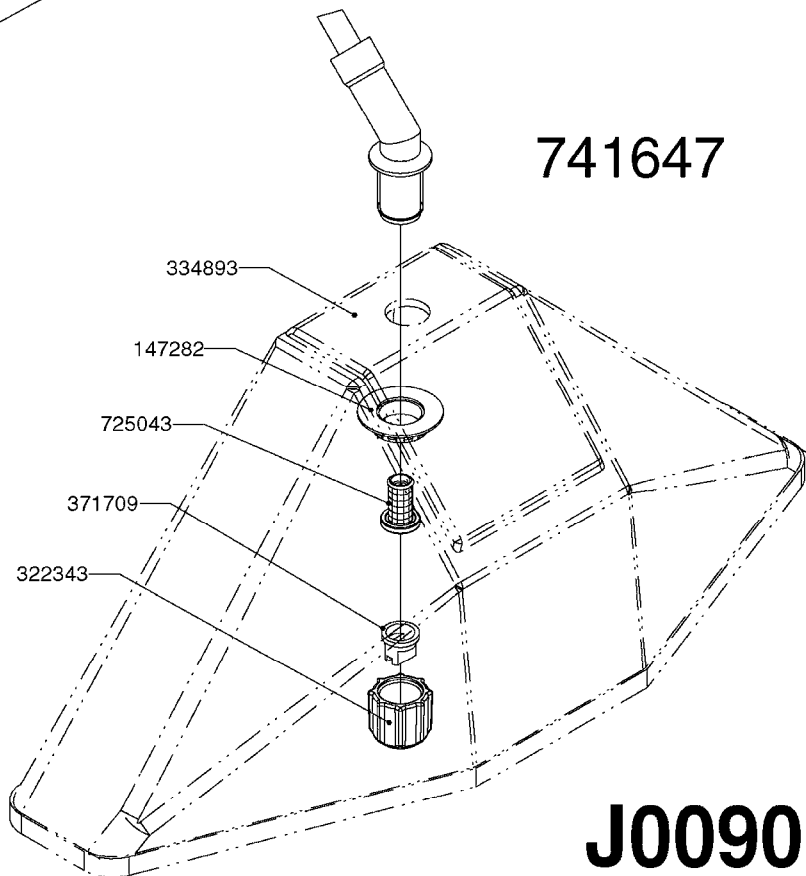
TRIGGER VALVE ASSEMBLY '00
J0070-HIN, 09:06:16

Page 1
Date 07.02.2020 7:58

parts-n°	order qty	description
285122	1	WIRE CLIP FOR TRIGGER LEVER
322279	1	TRIGGER CAP
322342	1	VALVE CASING FOR LANCE
334724	1	TRIGGER VALVE LEVER
334725	1	PLASTIC PIN
334731	1	FILTER W/HOSE BARB
755735	1	SERVICE PARTS PACK BP15/20
755736	1	TRIGGER VALVE PACK see72032500
32242500	1	NUT FOR LANCE GREY
72032500	1	TRGGR VLV ASSY,NEW STYLE'00



741721



741647

J0090

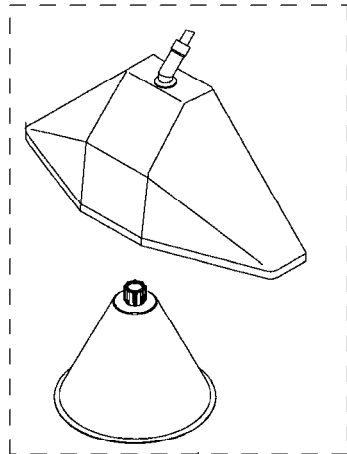


SPRY SHIELDS F.HND-HLD SPRY 01
J0090-HIN, 01:01:16

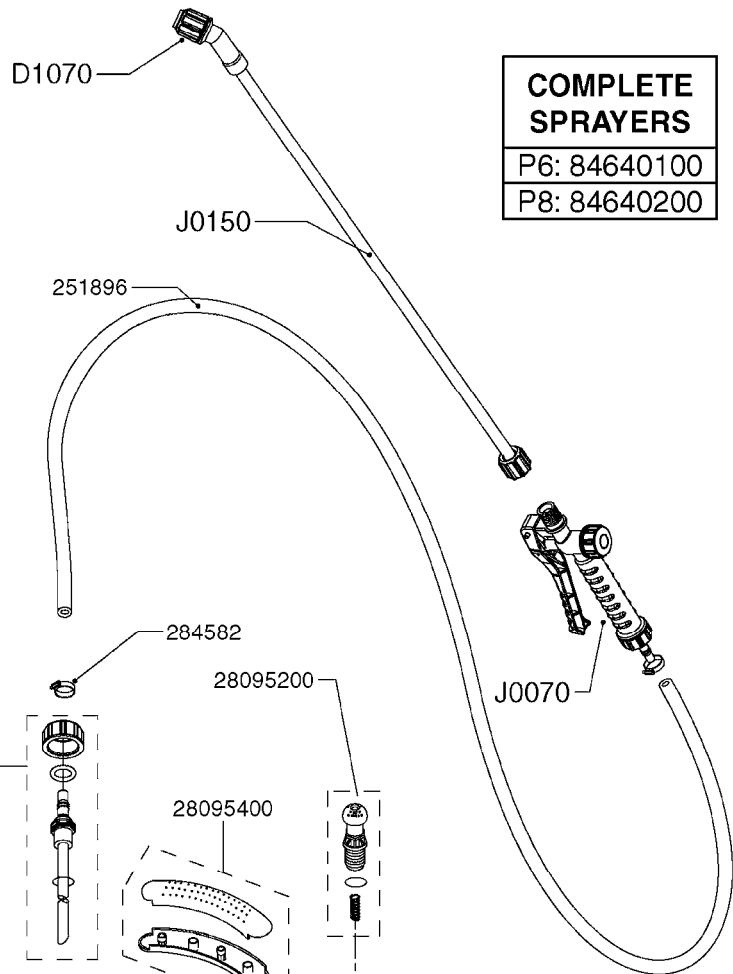
Page 1

Date 07.02.2020 7:58

parts-n°	order qty	description
147282	1	CP3 LOCK NUT
241974	1	O-RING D7.1 X 1.6
322049	1	FITT.DK SOCKET F.3/8 UNION NUT
322101	1	INSERT UNION F.SPRAY SHIELD
322343	1	NOZZLE CAP M18 X 1.5 - 1999
333897	1	SPRAY SHIELD FOR CONE JET
334082	1	SNAP-FIT NOZZ.HOLD.CONE BLACK
334893	1	SPRAY SHIELD 15" W/O HRDWE.
370031	1	NOZZLE CONE JET 1553-12
370167	1	NOZZLE SWIRL 1554-1.3 WHITE
371709	1	NOZZLE ISO F-03-110 BLUE
725042	1	SCREEN 80 MESH W.GASKET, RED
725043	1	SCREEN 50 MESH W.GASKET,BLUE
741647	1	SPRAY SHIELD F.FAN NOZZLE
741721	1	SPRAY SHIELD CP F.CONE NOZZLE

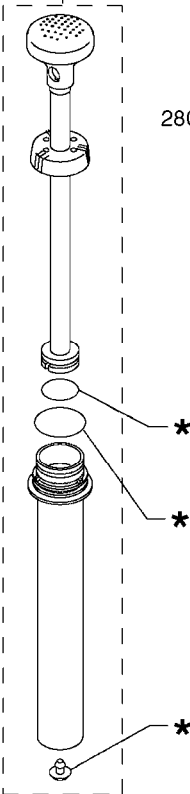


J0090



**COMPLETE
SPRAYERS**
P6: 84640100
P8: 84640200

28094900



28098303

28095100

28095300

28095400

284582

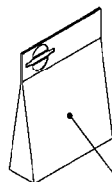
28095200

*

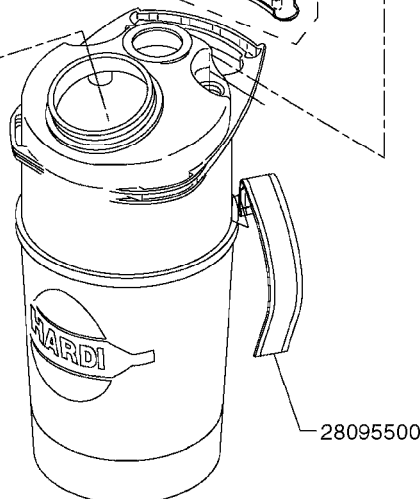
*

*

*



* 28095000



28095500

J0140



HAND HELD SPRAYER P6/P8
J0140-HIN, 16:11:17

Page 1

Date 07.02.2020 7:58

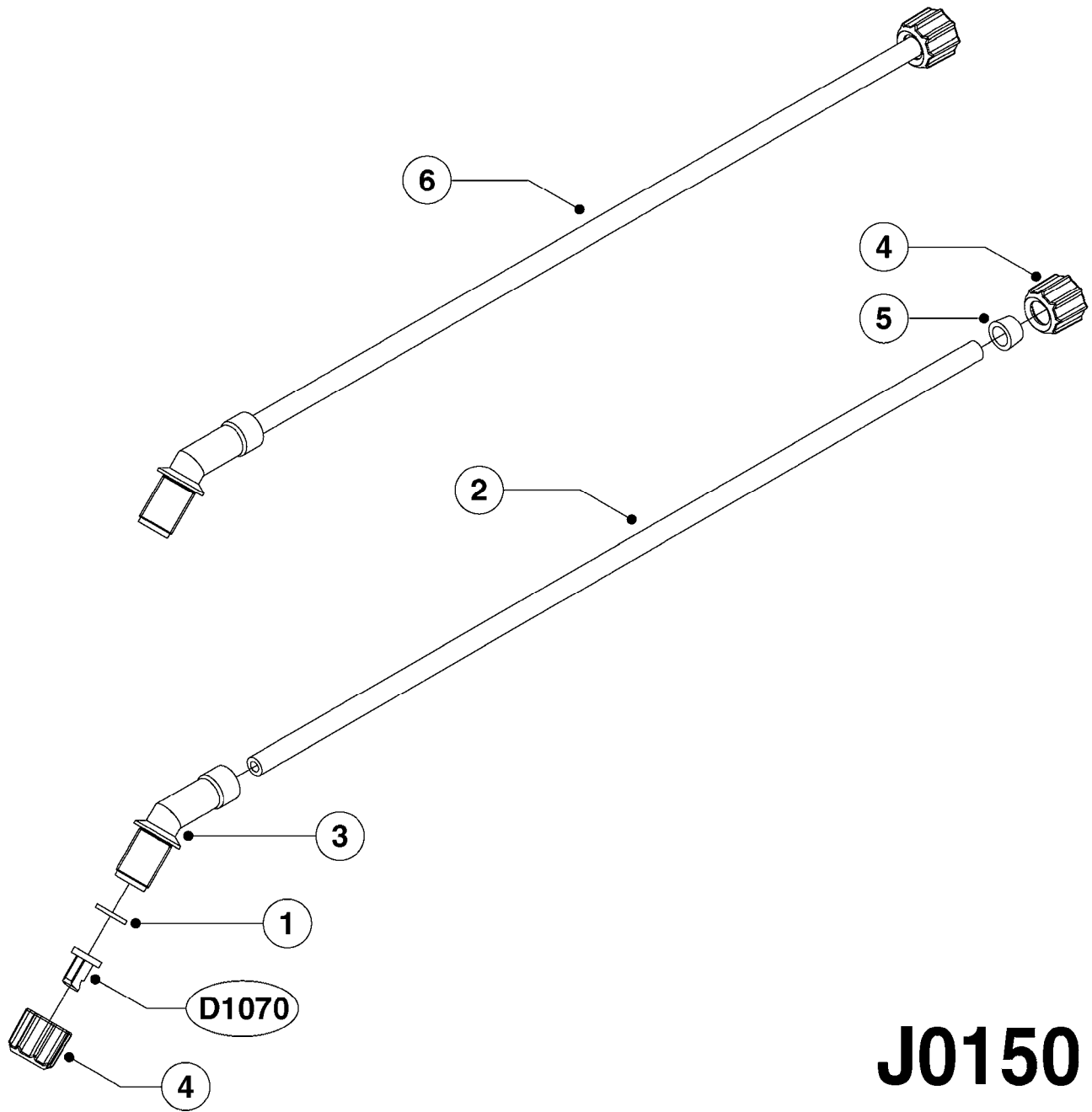
parts-n°	order qty	description
251896	1	HOSE ASSY. 5/16" PVC L=1300MM
284582	1	CLAMP HOSE GEAR - 5/16"
28094900	1	PUMP UNIT P6/P8
28095000	1	SERVICE KIT FOR P6/P8
28095100	1	TANK LID P6/P8
28095200	1	PRESSURE LIMIT VALVE P6/P8
28095300	1	FEED TUBE P6/P8
28095400	1	HANDLE P6/P8
28095500	1	SHOULDER STRAP P6/P8
28098303	1	CENTER CAP F.LID P6/P8
84640100	1	PRESSURE SPRAYER P6
84640200	1	PRESSURE SPRAYER P8



SPRAY WAND
J0150-HIN, 01:01:16

Page 0

Date 07.02.2020 7:58



J0150



SPRAY WAND
J0150-HIN, 01:01:16

Page 1

Date 07.02.2020 7:58

Pos.	parts-n°	order qty	description
1	242370	1	BACKING WASHER
2	284970	1	LANCE TUBE D10 1000MM
2	284972	1	LANCE TUBE D10 - 490MM
3	322240	1	LANCE-END 45 DEG.
4	322343	1	NOZZLE CAP M18 X 1.5 - 1999
5	334727	1	GROMMET
6	72032900	1	PLASTIC WAND 20"