



Agroparts: www.HARDI-INTERNATIONAL.com

BNL 3 Pt. Hitch PTO

Country-Code 11

Date 07.02.2020 7:49

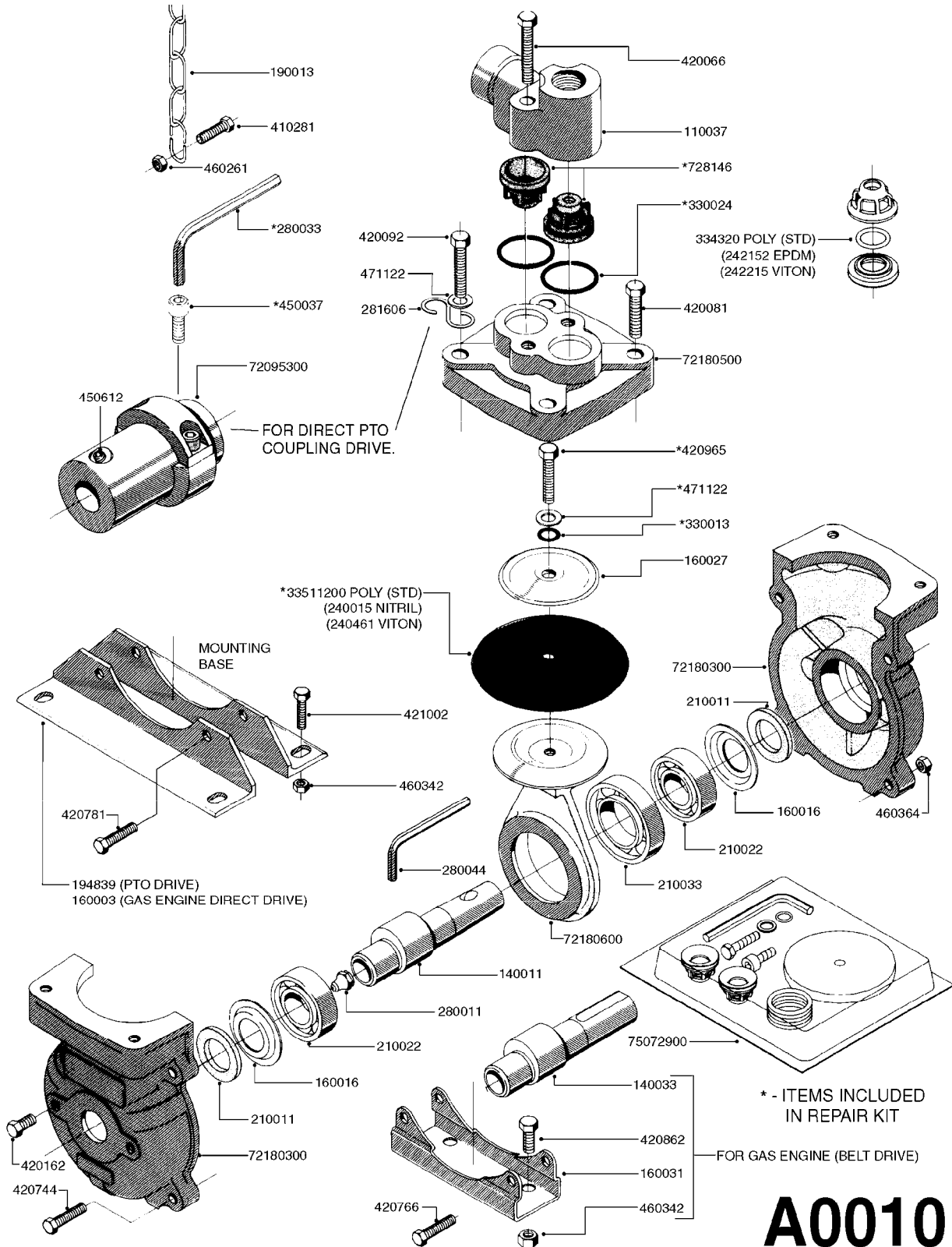




| main group | page-n° | date | description |
|------------------------------|-----------------|-----------|--------------------------------|
| Pumps | A0010-HIN | 01:01:16 | PUMP - 500 |
| | A0020-HIN | 01:01:16 | PUMP - 503 |
| | A0050-HIN | 30:07:19 | PUMP - 500 FITTINGS |
| | A0510-HIN | 23:10:18 | PTO SHAFTS - BONDIOLI DIAPH. |
| | A0520-HIN | 23:10:18 | PTO SHAFTS - BONDIOLI CENT. |
| | A0580-HIN | 01:01:16 | PTO SHAFTS - AMA DIAPHRAGM |
| Controls, Filters, Valves | B0030-HIN | 01:01:16 | DISTRIBUTION VALVE - MANUAL |
| | B0070-HIN | 30:08:16 | CONTROL - M70 MANUAL |
| Booms, Nozzle Bodies & Tubes | D0020-HIN | 19:08:19 | BOOM - 14' HD |
| | D0030-HIN | 01:01:16 | BOOM - V-II |
| | D0040-HIN | 01:01:16 | BOOM - VS-8 & VS-10 |
| | D0060-HIN | 18:12:19 | BOOM - SB 20' 26' 33' 40' |
| | D0070-HIN | 01:01:16 | BOOM - SB H-FRAME & CENTER HY |
| | D1000-HIN | 01:01:16 | BOOM-NOZZLES 110° FLAT FAN ISO |
| | D1010-HIN | 01:01:16 | BOOM-NOZZLES 110° LOWDRIFT ISO |
| | D1020-HIN | 01:01:16 | BOOM-NOZZLES 80° FLAT FAN ISO |
| | D1030-HIN | 28:11:17 | BOOM-NOZZLE CAPS AND FILTERS |
| | D1040-HIN | 01:01:16 | BOOM-NOZZLES INJET |
| | D1050-HIN | 01:01:16 | BOOM-NOZZLES MINIDRIFT |
| | D1060-HIN | 01:01:16 | BOOM-NOZZLES QUINTASTREAM |
| | D1080-HIN | 01:01:16 | NOZZLE BODIES-THREADED |
| | D1090-HIN | 01:01:16 | NOZZLE BODIES-SNAP FIT |
| | D1100-HIN | 01:01:16 | DOUBLE NOZZLE HOLDER-SNAP FIT |
| | Estate Sprayers | I0060-HIN | 19:08:19 |
| Special equipment, Extras | K0480-HIN | 01:01:16 | HANDGUN TYPE 60S/60L POST 95 |
| | K0520-HIN | 05:12:19 | HOSE WRAPS |



PUMP - 500
A0010-HIN, 01:01:16



A0010



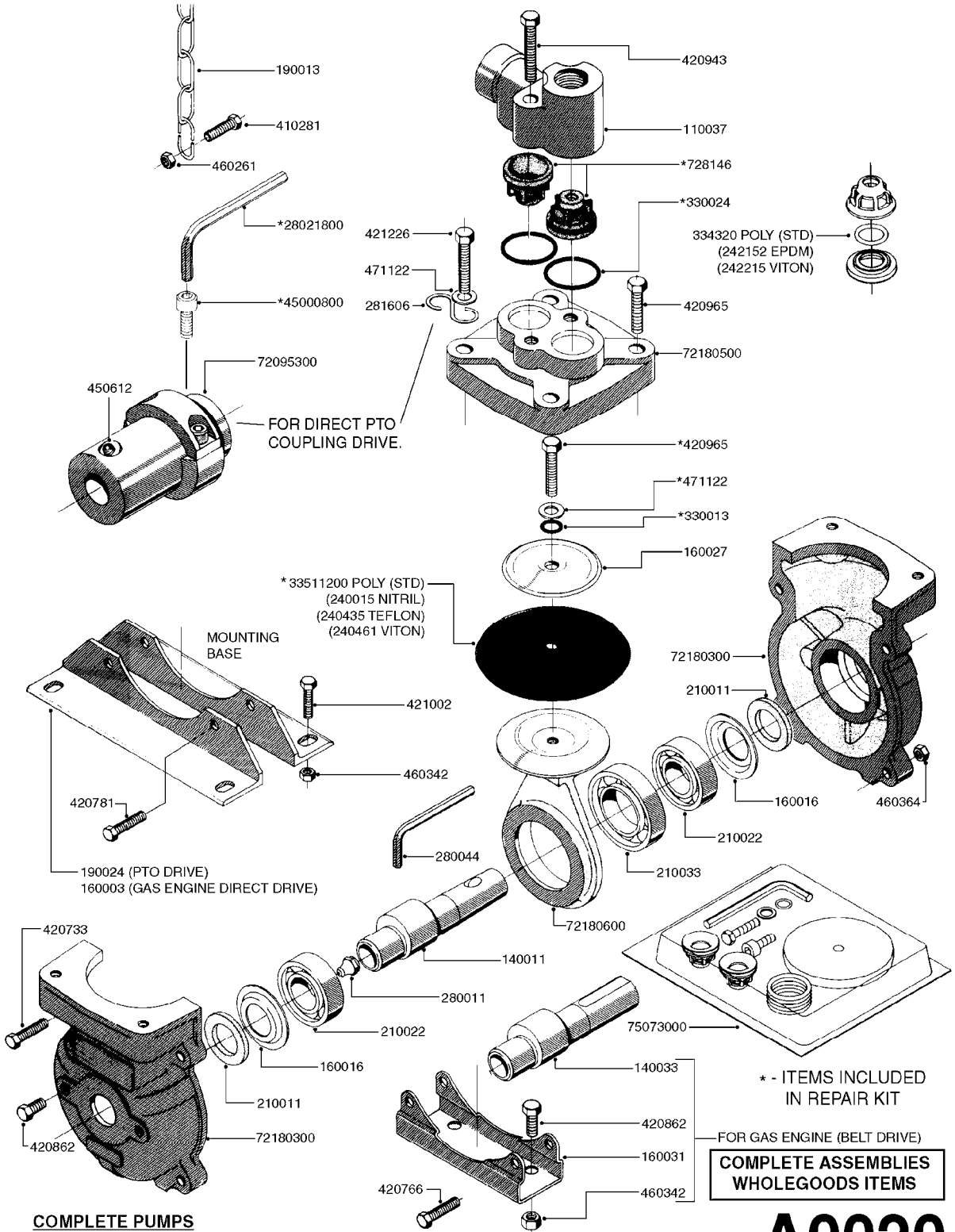
PUMP - 500
A0010-HIN, 01:01:16

Page 1
Date 07.02.2020 7:49

| parts-n° | order qty | description |
|----------|-----------|-----------------------------------|
| 110037 | 1 | VALVE CHAMBER MOD 500 PAINTED |
| 140011 | 1 | CRANK SHAFT MODEL 500 |
| 140033 | 1 | CRANK SHAFT,MODEL 500/4 |
| 160003 | 1 | PUMP MOUNT PLATE TALL 500/600 |
| 160016 | 1 | DUST PLATE |
| 160027 | 1 | DIAPHRAGM UPPER DISC 500-600 |
| 160031 | 1 | BASE PLATE MODEL 500-600 |
| 190013 | 1 | CHAIN 35XL=800 |
| 194839 | 1 | ANGLE IRON FOOT, M 500-600 RED |
| 210011 | 1 | SEAL FELT D39/23 X 4 |
| 210022 | 1 | BEARING BALL 6205 |
| 210033 | 1 | BEARING BALL 6007 |
| 240015 | 1 | DIAPHRAGM MODEL 500-600 NITRIL |
| 240461 | 1 | DIAPHRAGM MODEL 500-600 VITON |
| 242152 | 1 | O-RING D18.2X3 EPDM |
| 242215 | 1 | O-RING D18X3 VITON |
| 280011 | 1 | GREASE NIPPLE 1/8' SAE H TR |
| 280033 | 1 | KEY HEXAGON W9 5/16" |
| 280044 | 1 | KEY HEXAGON W6 3/16' |
| 281606 | 1 | S-HOOK GALVANIZED |
| 330013 | 1 | O-RING 2.5 X 10 PUR |
| 330024 | 1 | O-RING D41,1/D34.5 X 3,5 |
| 334320 | 1 | O-RING D18X3 POLYURETHANE |
| 410281 | 1 | BOLT HEX 8.8 DEL M6X25 DIN933 A2 |
| 420066 | 1 | BOLT HEX 8.8 DEL 3/8"X50MM |
| 420081 | 1 | BOLT HEX 8.8 DEL 3/8"X40MM |
| 420092 | 1 | BOLT HEX 8.8 RAW 3/8"X45MM |
| 420162 | 1 | BOLT HEX 8.8 DEL 3/8"x15MM |
| 420744 | 1 | BOLT HEX 8.8 DEL M8X40 |
| 420766 | 1 | BOLT HEX M8-45/22 SST A2 DIN931 |
| 420781 | 1 | BOLT HEX 8.8 DEL M8X50 |
| 420862 | 1 | BOLT HEX 8.8 DEL M10X16 FT |
| 420965 | 1 | M10X40 MACHINE SCREW STAINLESS |
| 421002 | 1 | BOLT HEX 8.8 DEL M10X30 FT DIN933 |
| 450037 | 1 | BOLT ROUND 3/8'X1' BLACK |
| 450612 | 1 | SCREW M10X16 POINTED |
| 460261 | 1 | NUT HEX M6X1.00 LOCK DIN985 A2 SS |
| 460342 | 1 | NUT HEX M10 DEL DIN934 |
| 460364 | 1 | NUT HU M8 A2 SS DIN934 |
| 471122 | 1 | WASHER, M10, Ø20/10.5X 2.0, SS |
| 728146 | 1 | VALVE FOR 361(726890/707932) |
| 33511200 | 1 | DIAPHRAGM 500-603 PUR 2006 |
| 72095300 | 1 | COUPLING 1-3/8' X 25, PAINTED |
| 72180300 | 1 | PUMP HOUSING 503 RED W/BOLTS |
| 72180500 | 1 | DIAPHRAGM COVER 503 W/BOLTS |
| 72180600 | 1 | CONNECTING ROD FOR 503-603 M10 |
| 75072900 | 1 | PUMP KIT 500 "06" |



PUMP - 503
A0020-HIN, 01:01:16



COMPLETE PUMPS
 821617 - PUMP ONLY
 10521303 - WITH PTO & DAMPER

A0020



PUMP - 503
A0020-HIN, 01:01:16

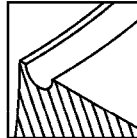
Page 1
Date 07.02.2020 7:49

| parts-n° | order qty | description |
|----------|-----------|-----------------------------------|
| 110037 | 1 | VALVE CHAMBER MOD 500 PAINTED |
| 140011 | 1 | CRANK SHAFT MODEL 500 |
| 140033 | 1 | CRANK SHAFT,MODEL 500/4 |
| 160003 | 1 | PUMP MOUNT PLATE TALL 500/600 |
| 160016 | 1 | DUST PLATE |
| 160027 | 1 | DIAPHRAGM UPPER DISC 500-600 |
| 160031 | 1 | BASE PLATE MODEL 500-600 |
| 190013 | 1 | CHAIN 35XL=800 |
| 190024 | 1 | ANGLE IRON FOOT, MODEL 500-600 |
| 210011 | 1 | SEAL FELT D39/23 X 4 |
| 210022 | 1 | BEARING BALL 6205 |
| 210033 | 1 | BEARING BALL 6007 |
| 240015 | 1 | DIAPHRAGM MODEL 500-600 NITRIL |
| 240435 | 1 | DIAP alts 332021PUR,240015NITR |
| 240461 | 1 | DIAPHRAGM MODEL 500-600 VITON |
| 242152 | 1 | O-RING D18.2X3 EPDM |
| 242215 | 1 | O-RING D18X3 VITON |
| 280011 | 1 | GREASE NIPPLE 1/8' SAE H TR |
| 280044 | 1 | KEY HEXAGON W6 3/16' |
| 281606 | 1 | S-HOOK GALVANIZED |
| 330013 | 1 | O-RING 2.5 X 10 PUR |
| 330024 | 1 | O-RING D41,1/D34.5 X 3,5 |
| 334320 | 1 | O-RING D18X3 POLYURETHANE |
| 410281 | 1 | BOLT HEX 8.8 DEL M6X25 DIN933 A2 |
| 420733 | 1 | BOLT HEX 8.8 DEL M8X40 |
| 420766 | 1 | BOLT HEX M8-45/22 SST A2 DIN931 |
| 420781 | 1 | BOLT HEX 8.8 DEL M8X50 |
| 420862 | 1 | BOLT HEX 8.8 DEL M10X16 FT |
| 420943 | 1 | BOLT HEX 8.8 DEL M10X50 |
| 420965 | 1 | M10X40 MACHINE SCREW STAINLESS |
| 421002 | 1 | BOLT HEX 8.8 DEL M10X30 FT DIN933 |
| 421226 | 1 | BOLT HEX 8.8 DEL M10X45 |
| 450612 | 1 | SCREW M10X16 POINTED |
| 460261 | 1 | NUT HEX M6X1.00 LOCK DIN985 A2 SS |
| 460342 | 1 | NUT HEX M10 DEL DIN934 |
| 460364 | 1 | NUT HU M8 A2 SS DIN934 |
| 471122 | 1 | WASHER, M10, Ø20/10.5X 2.0, SS |
| 728146 | 1 | VALVE FOR 361(726890/707932) |
| 821617 | 1 | PUMP 503/7 W FOOT TAPERED SHAF |
| 10521303 | 1 | PUMP 500 C/W PTO 540 RPM |
| 28021800 | 1 | KEY HEXAGON 8MM FOR M10 |
| 33511200 | 1 | DIAPHRAGM 500-603 PUR 2006 |
| 45000800 | 1 | BOLT ROUND M10X25 |
| 72095300 | 1 | COUPLING 1-3/8' X 25, PAINTED |
| 72180300 | 1 | PUMP HOUSING 503 RED W/BOLTS |
| 72180500 | 1 | DIAPHRAGM COVER 503 W/BOLTS |
| 72180600 | 1 | CONNECTING ROD FOR 503-603 M10 |
| 75073000 | 1 | PUMP KIT 503 "06" |



Housing for Black Diaphragm-

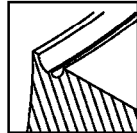
This groove on the lower housing of the Pressure Damper is for the BLACK diaphragm (240122). Never upgrade diaphragms to the YELLOW style unless you also upgrade Pressure Dampers to the housing style shown below.



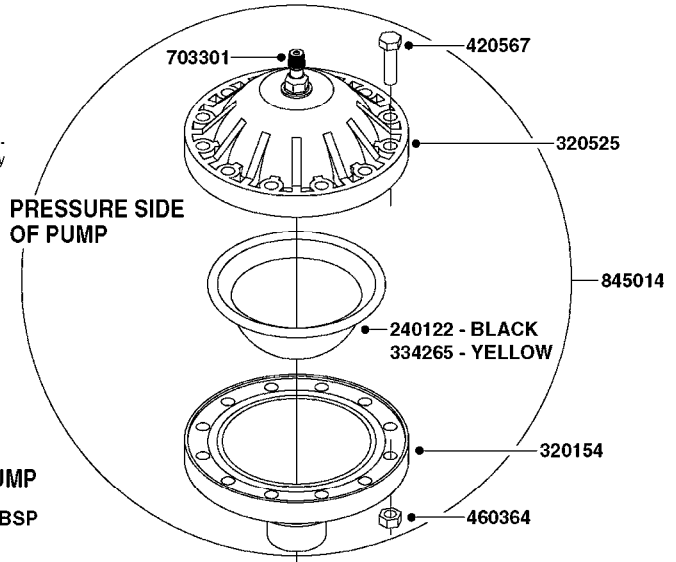
The YELLOW style diaphragm will not seal correctly in this housing.

Housing for Yellow Diaphragm-

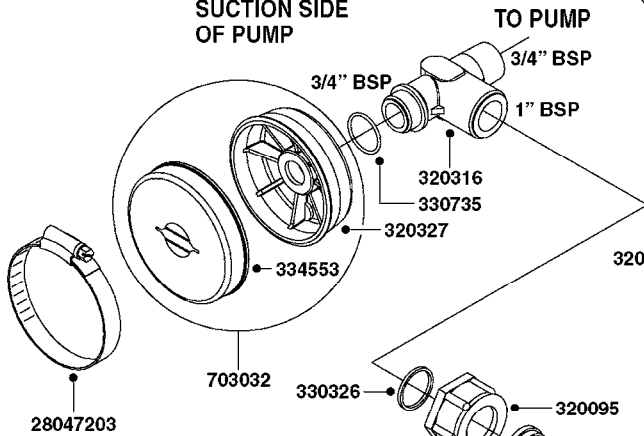
The groove on the lower housing of a the Pressure Damper is recognized by the extra lip on the bottom inside of the groove. For this style Pressure Damper, you need the YELLOW diaphragm (334265).



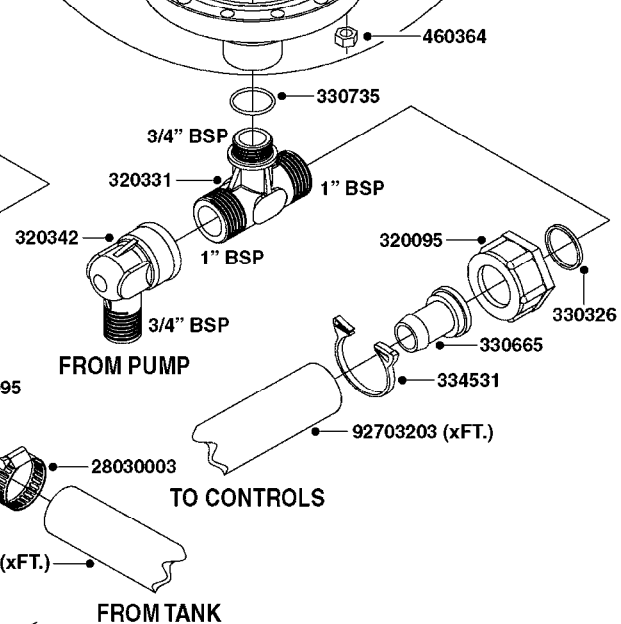
PRESSURE SIDE OF PUMP



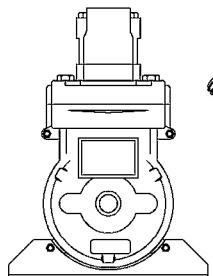
SUCTION SIDE OF PUMP



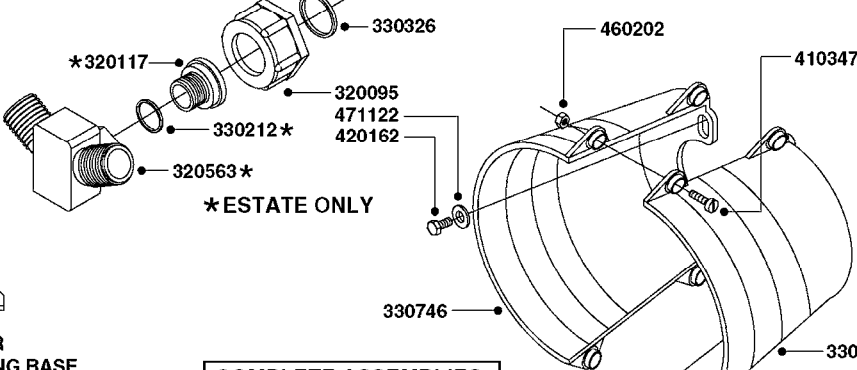
TO PUMP



FROM TANK



821616 503 W/COUPLER
821617 500 W/ MOUNTING BASE
821618 503 GAS DRIVEN - BELT DRIVE



COMPLETE ASSEMBLIES
WHOLEGOODS ITEMS

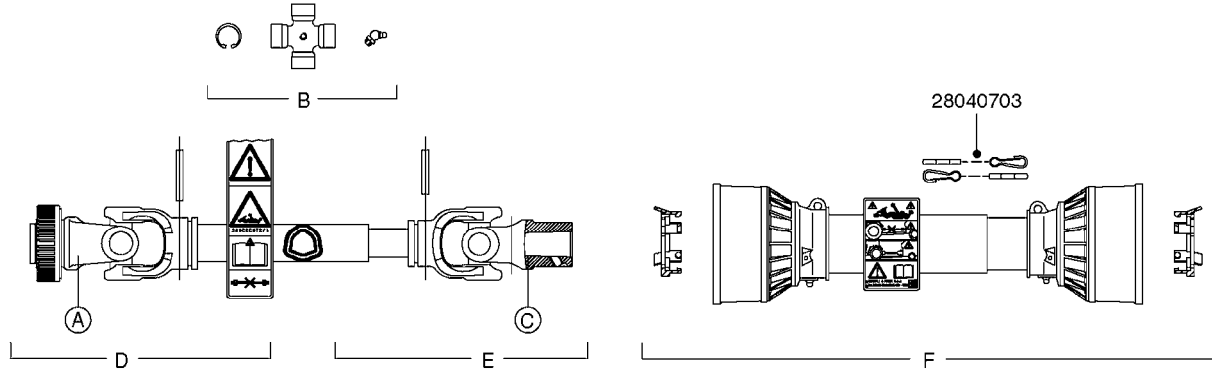
A0050



PUMP - 500 FITTINGS
A0050-HIN, 30:07:19

Page 1
Date 07.02.2020 7:49

| parts-n° | order qty | description |
|----------|-----------|--------------------------------|
| 240122 | 1 | DIAPHRAGM FOR PRES.DAMP.NITRIL |
| 320095 | 1 | FITT.DK NUT 1" BSP |
| 320117 | 1 | FITT.DK CONN.1/2"BSP F. 1" CAP |
| 320154 | 1 | AIR BOTTLE, BOTTOM PART |
| 320316 | 1 | FITT.DK TEE 3/4" X3/4" X1"BSP |
| 320327 | 1 | HOUSING F. SUCTION AIR BOTTLE |
| 320331 | 1 | FITT.DK TEE 1" - 1" - 3/4" BSP |
| 320342 | 1 | FITT.DK EL 3/4"M X 1"F BSP |
| 320563 | 1 | FITT.DK 3 WAY 1/2" 110 DEG. |
| 330212 | 1 | O-RING D19/D14X2.4 F.1/2"NUT |
| 330326 | 1 | O-RING D30/D24X2 F.1"NUT |
| 330341 | 1 | FITT.DK HB 1" F. 1" NUT |
| 330525 | 1 | AIR BOTTLE, TOP HALF |
| 330665 | 1 | FITT.DK HB 3/4"F.1" NUT |
| 330735 | 1 | O-RING D30/D26X2 |
| 330746 | 1 | GUARD PTO LOWER PART |
| 330757 | 1 | GUARD PTO UPPER PART |
| 334265 | 1 | DIAPHRAGM F. PRESS DAMP. |
| 334531 | 1 | CLAMP HOSE PLASTIC 3/4" |
| 334553 | 1 | DIAPHRAGM F.SUCTION AIR BOTTLE |
| 410347 | 1 | SCREW M6X20 8.8 |
| 420162 | 1 | BOLT HEX 8.8 DEL 3/8"x15MM |
| 420567 | 1 | BOLT HEX 8.8 DEL M8X30 FT |
| 460202 | 1 | NUT HEX M6 |
| 460364 | 1 | NUT HU M8 A2 SS DIN934 |
| 471122 | 1 | WASHER, M10, Ø20/10.5X 2.0, SS |
| 703032 | 1 | SUCTION AIR BOTTLE 3/4" COMPL. |
| 703301 | 1 | VALVE FOR AIR BOTTLE |
| 821616 | 1 | PUMP 503/7 W COUPLER |
| 821617 | 1 | PUMP 503/7 W FOOT TAPERED SHAF |
| 821618 | 1 | PUMP 503/4 800RPM STRIGHT SHAF |
| 845014 | 1 | AIR BOTTLE COMPLETE HJ73 |
| 28030003 | 1 | CLAMP HOSE GEAR P1" 6716 |
| 28047203 | 1 | CLAMP HOSE GEAR 60 X 80 6756 |
| 92702403 | 1 | HOSE PVC SUCT GRAY 1" |
| 92703203 | 1 | HOSE R X3/4" X300PSI WP X0012" |

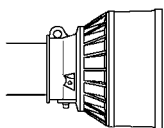


| PTO | TRACTOR | IMPLEMENT | LENGTH | A | B | C | D | E | F |
|------------|---------------------|---------------------|-----------|----------|----------|----------|----------|----------|----------|
| 28020203 † | 1-3/4" 20-SPLINE | 1-3/8" 21-SPLINE | 860/1313 | 28015703 | 28009403 | 28040603 | 28015803 | 28015903 | 28016003 |
| 28020303 † | 1-3/8" 21-SPLINE | 1-3/8" 21-SPLINE | 860/1328 | 28015103 | 28015203 | 28015303 | 28015403 | 28015503 | 28015603 |
| 829445 † | 1-3/8" 6-SPLINE | 1-3/8" 6-SPLINE | 810/1219 | 284041 | 289045 | 289041 | 28016703 | 28016803 | 289050 |
| 829446 | 1-3/8" 6-SPLINE | 1-3/8" 6-SPLINE | 810/1230 | 289040 | 284041 | 289040 | 28016203 | 28016303 | 289049 |
| 829480 | 1-3/8" 21-SPLINE | 1-3/8" 21-SPLINE | 1210/1912 | 28005200 | 289042 | 28005800 | 28006700 | 28007300 | 28008100 |
| 829482 * | 1-3/8" 6-SPLINE | Ø25 CONE 3 | 610/912 | 28005400 | 289042 | 28006000 | 28008500 | 28007500 | 28008600 |
| 829483 * | 1-3/8" 6-SPLINE | Ø30 CONE 4 | 610/912 | 28005400 | 289042 | 28006100 | 28008500 | - | 28008600 |
| 829484 * | 1-3/8" 6-SPLINE | 1-3/8" 6-SPLINE | 610/912 | 28005400 | 289042 | 28006200 | 28008500 | - | 28008600 |
| 829486 | 1-3/8" 6-SPLINE | Ø30 CONE 4 | 860/1328 | 28005400 | 289042 | 28006100 | 28006900 | - | 28008100 |
| 829487 * | 1-3/8" 6-SPLINE | 1-3/8" 6-SPLINE | 860/1328 | 28005400 | 289042 | 28006200 | 28006900 | - | 28008100 |
| 829490 | 1-3/8" 6-SPLINE | Ø30 CONE 4 | 1210/1912 | 28005400 | 289042 | 28006100 | 28006900 | - | 28008100 |
| 829491 | 1-3/8" 6-SPLINE | Ø1" | 610/912 | 28005400 | 289042 | 28006300 | 28008500 | 28007800 | 28008600 |
| 829502 * | 1-3/8" 6-SPLINE | 1-3/8" 6-SPLINE | 1210/1912 | 28068800 | 28069700 | 28073000 | - | - | 28072800 |

* Supplier changed in 2011 - see page A0580 for "AMA" PTO's (yellow and black shields).

† Changed in 2016 from 100 series to G-Series (see page A0600).

100 SERIES



G-SERIES



A0510

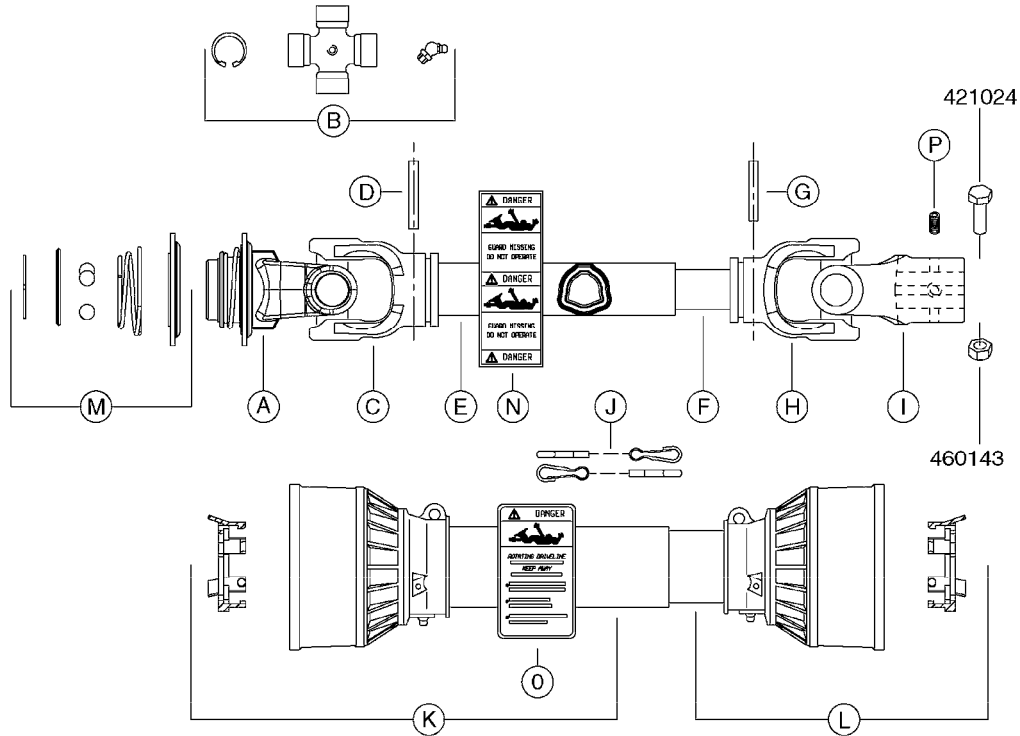


PTO SHAFTS - BONDIOLI DIAPH.
A0510-HIN, 23:10:18

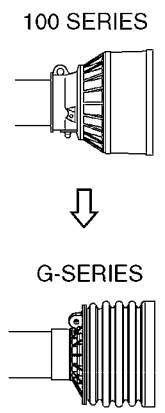
Page 1

Date 07.02.2020 7:50

| parts-n° | order qty | description |
|----------|-----------|--|
| 284041 | 1 | UNIV. JOINT 27x70mm |
| 289040 | 1 | PTO YOKE 1-3/8" X 6 SPLINE |
| 289041 | 1 | PTO YOKE 1-3/8" X 6 SPLINE |
| 289042 | 1 | UNIV. JOINT 22x54mm |
| 289045 | 1 | UNIV. JOINT 30.2x79.4mm |
| 289049 | 1 | PTO SHIELD COMPLETE F.829446 |
| 289050 | 1 | PTO SHIELD COMPLETE F.829445 |
| 829445 | 1 | PTO 1-3/8/6X1-3/8/6X810M AXIAL |
| 829446 | 1 | PTO SHAFT LE-SPV + LP ZE-P540 |
| 829480 | 1 | PTO 1-3/8/21 x 1-3/8/21x1210MM |
| 829482 | 1 | PTO 1-3/8/6X25MM X 600MM 1202 |
| 829483 | 1 | PTO 1-3/8/6X30MM x 610MM 1302 |
| 829484 | 1 | PTO 1-3/8/6X1-3/8/6X575MM 361 |
| 829486 | 1 | PTO 1-3/8/6X30MM X870MM 1302 |
| 829487 | 1 | PTO 1-3/8/6X1-3/8/6X870MM 361 |
| 829490 | 1 | PTO 1-3/8/6X30MM 1320MM 1302 |
| 829491 | 1 | PTO 1-3/8/6X1' 610/913MM 9016 |
| 829502 | 1 | PTO 1-3/8/6x1210/1745 |
| 28005200 | 1 | PTO YOKE 1-3/8" X 21 SPLINE |
| 28005400 | 1 | PTO YOKE 1-3/8" X 6 SPLINE |
| 28005800 | 1 | PTO YOKE 1-3/8" X 21 SPLINE |
| 28006000 | 1 | PTO YOKE D25 CONE 3 DEG. |
| 28006100 | 1 | PTO YOKE D30 CONE 4 DEG. |
| 28006200 | 1 | PTO YOKE 1-3/8" X 6 SPLINE |
| 28006300 | 1 | PTO YOKE D1" |
| 28006700 | 1 | PTO OUTER 1-3/8"X21(NO SHIELD) |
| 28006900 | 1 | PTO OUTER 1-3/8"X6(NO SHIELD) |
| 28007300 | 1 | PTO INNER 1-3/8"X21(NO SHIELD) |
| 28007500 | 1 | PTO HALF SHAFT - PUMP END |
| 28007800 | 1 | PTO INNER D1" (NO SHIELD) |
| 28008100 | 1 | PTO SHIELD COMPLETE |
| 28008500 | 1 | PTO HALF SHAFT - TRACTOR END |
| 28008600 | 1 | PTO SHIELD ASSY COMPLETE |
| 28009403 | 1 | UNIV. JOINT 27x74.6mm |
| 28015103 | 1 | PTO YOKE 1-3/8"X21 TWST OLD |
| 28015203 | 1 | UNIV. JOINT 23.8x61.3mm |
| 28015303 | 1 | PTO YOKE 1-3/8"X21 BALL COLLAR |
| 28015403 | 1 | PTO OUTER 1-3/8"X21(SHIELDED) |
| 28015503 | 1 | PTO INNER 1-3/8"X21(NO SHIELD) |
| 28015603 | 1 | PTO SHIELD COMPLETE F.28020303 |
| 28015703 | 1 | PTO YOKE 1-3/4"X20 SPL OUTER |
| 28015803 | 1 | PTO OUTER 1-3/4"X20(NO SHIELD) |
| 28015903 | 1 | PTO INNER 1-3/8"X21(NO SHIELD) |
| 28016003 | 1 | PTO SHIELD COMPLETE F.10465803 |
| 28016203 | 1 | PTO OUTER 1-3/8"X6(SHIELDED) |
| 28016303 | 1 | PTO INNER 1-3/8"X6(NO SHIELD) |
| 28016703 | 1 | PTO OUTER 1-3/8"X6(NO SHIELD) |
| 28016803 | 1 | PTO INNER 1-3/8"X6(NO SHIELD) |
| 28020203 | 1 | PTO 1-3/4/20x1-3/8/21 BP L=860 |
| 28020303 | 1 | PTO 1-3/8/21 x 1-3/8/21 B&P |
| 28040603 | 1 | PTO YOKE 1-3/8X21SPL BLACK |
| 28040703 | 1 | SAFETY CHAIN F.CV BLACK PTO (SET OF 2) |
| 28068800 | 1 | PTO YOKE 1-3/8" X 6 SPLINE |
| 28069700 | 1 | UNIV. JOINT STD1 SFT |
| 28072800 | 1 | PTO SHIELD COMPLETE L=1912 SFT |
| 28073000 | 1 | PTO YOKE 1-3/8" X 6 SPLINE |



**COMPLETE ASSEMBLIES
WHOLEGOOD ITEMS**



| PTO # | 28021403 * | 28021503 * | 28021603 |
|-----------|-----------------|------------------|------------------|
| TRACTOR | 1-3/8" 6 SPLINE | 1-3/8" 21 SPLINE | 1-3/4" 20 SPLINE |
| IMPLEMENT | D1" | D1" | D1" |
| LENGTH | 1031/1501 | 1031/1499 | 1066/1519 |
| A | 28056703 | 28056803 | 28056903 |
| B | 289042 | 289042 | 28040503 |
| C | 28057003 | 28057003 | 28057103 |
| D | 28057203 | 28057203 | 28009803 |
| E | 28057303 | 28057303 | 28057403 |
| F | 28057503 | 28057503 | 28057603 |
| G | 28057703 | 28057703 | 28009903 |
| H | 28058503 | 28058503 | 28010103 |
| I | 28057803 | 28057803 | 28057903 |
| J | 28040703 | 28040703 | 28040703 |
| K | 28058003 | 28058003 | 28058103 |
| L | 28058203 | 28058203 | 28058303 |
| M | 28027903 | 28027903 | 28058403 |
| N | 28041803 | 28041803 | 28041803 |
| O | 28041903 | 28041903 | 28041903 |
| P | 450015 | 450015 | 450015 |

* Changed in 2016 from 100 series to G-Series (see page A0600).

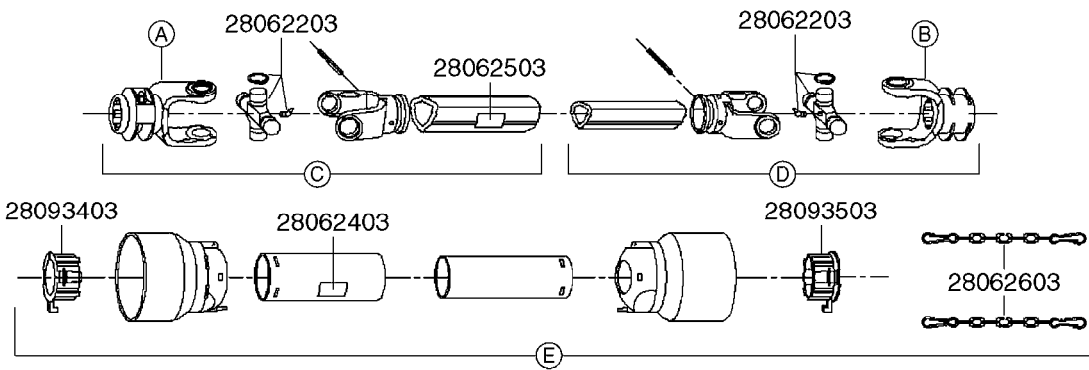
A520



PTO SHAFTS - BONDIOLI CENT.
A0520-HIN, 23:10:18

Page 1
Date 07.02.2020 7:50

| parts-n° | order qty | description |
|----------|-----------|--|
| 289042 | 1 | UNIV. JOINT 22x54mm |
| 421024 | 1 | BOLT HEX 8.8 DEL M8X60 |
| 450015 | 1 | SCREW ALLAN 3/8'X5/8' BLACK |
| 460143 | 1 | SELF LOCK NUT M8 SST A2 DIN985 |
| 28009803 | 1 | PTO PIN TUBE RETAINER OUTER |
| 28009903 | 1 | PTO TUBE RETAINER INNER |
| 28010103 | 1 | PTO YOKE F.INNER TUBE CV PTO |
| 28021403 | 1 | PTO 1"STR/1-3/8" 6SPL B&P |
| 28021503 | 1 | PTO 1"STR/1-3/8" 21SPL B&P |
| 28021603 | 1 | PTO 1"STR/1-3/4" 20SPL B&P |
| 28027903 | 1 | PTO BALL LOCK.KIT F.1-3/8 YOKE |
| 28040503 | 1 | UNIV. JOINT 27x74.6mm |
| 28040703 | 1 | SAFETY CHAIN F.CV BLACK PTO (SET OF 2) |
| 28041803 | 1 | DECAL DANGER GUARD MISSING |
| 28041903 | 1 | DECAL DANGER ROT.DRIVELINE |
| 28056703 | 1 | PTO YOKE #1 1-3/8" X 6 SPLINE |
| 28056803 | 1 | PTO YOKE #1 1-3/8" X 21 SPLINE |
| 28056903 | 1 | PTO YOKE #4 1-3/4" X 20 SPLINE |
| 28057003 | 1 | PTO TUBE YOKE #1-G1 OUTER |
| 28057103 | 1 | PTO TUBE YOKE #4-G4 OUTER |
| 28057203 | 1 | PTO PIN TUBE RETAINER OUTER |
| 28057303 | 1 | PTO TUBE OUTER #1 745MM |
| 28057403 | 1 | PTO TUBE OUTER #4 720MM |
| 28057503 | 1 | PTO TUBE INNER #1 745MM |
| 28057603 | 1 | PTO TUBE INNER #4 720MM |
| 28057703 | 1 | PTO TUBE RETAINER INNER |
| 28057803 | 1 | PTO TUBE YOKE #1 Ø=1" |
| 28057903 | 1 | PTO TUBE YOKE #4 Ø=1" |
| 28058003 | 1 | PTO HALF SAFETY SHIELD OUTER |
| 28058103 | 1 | PTO HALF SAFETY SHIELD OUTER |
| 28058203 | 1 | PTO HALF SAFETY SHIELD INNER |
| 28058303 | 1 | PTO HALF SAFETY SHIELD INNER |
| 28058403 | 1 | PTO BALL LOCK.KIT F.1-3/4 YOKE |
| 28058503 | 1 | PTO TUBE YOKE #1-G1 INNER |



| PTO # | 829482 | 829483 | 829484 | 829487 |
|-----------|-----------------|-----------------|-----------------|-----------------|
| TRACTOR | 1-3/8" 6 SPLINE | 1-3/8" 6 SPLINE | 1-3/8" 6 SPLINE | 1-3/8" 6 SPLINE |
| IMPLEMENT | 25 mm | 30 mm | 1-3/8" 6 SPLINE | 1-3/8" 6 SPLINE |
| LENGTH | 610/800 | 610/800 | 610/800 | 860/1050 |
| A | 28062103 | 28062103 | 28062103 | 28062103 |
| B | 28062303 | 28063003 | 28062103 | 28062103 |
| C | 28062703 | 28062703 | 28062703 | 28063403 |
| D | 28062803 | 28063103 | 28063203 | 28063503 |
| E | 28062903 | 28062903 | 28062903 | 28063303 |

Note: For "Bondioli" PTO's (previous supplier) - see page A0510.

COMPLETE ASSEMBLIES
WHOLEGOOD ITEMS

A0580



PTO SHAFTS - AMA DIAPHRAGM
A0580-HIN, 01:01:16

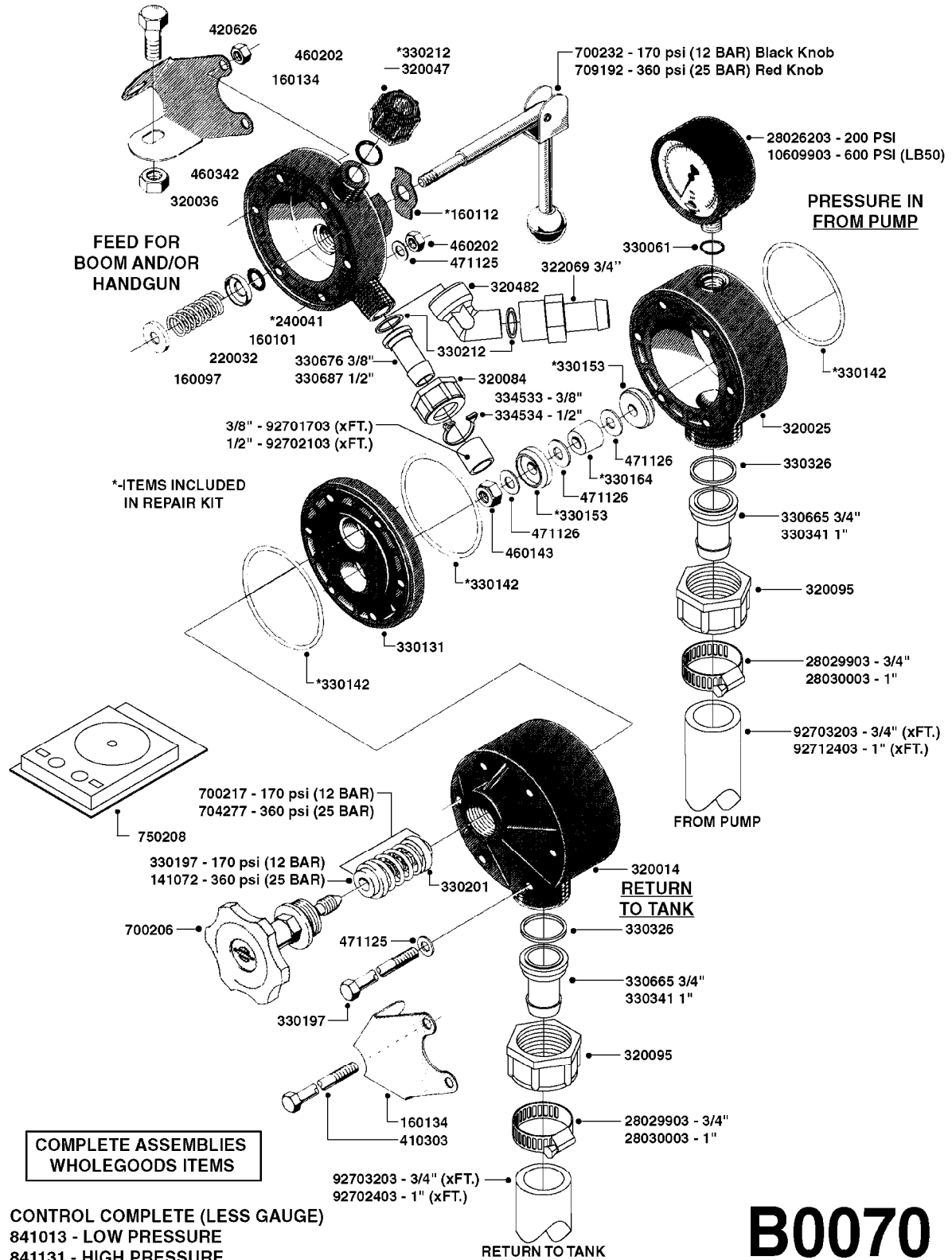
Page 1

Date 07.02.2020 7:50

| parts-n° | order qty | description |
|----------|-----------|-------------------------------|
| 829482 | 1 | PTO 1-3/8/6X25MM X 600MM 1202 |
| 829483 | 1 | PTO 1-3/8/6X30MM x 610MM 1302 |
| 829484 | 1 | PTO 1-3/8/6X1-3/8/6X575MM 361 |
| 829487 | 1 | PTO 1-3/8/6X1-3/8/6X870MM 361 |
| 28062103 | 1 | PTO YOKE 1-3/8X6 AMA |
| 28062203 | 1 | UNIV.JOINT CAT.1 AMA |
| 28062303 | 1 | PTO YOKE D25 AMA |
| 28062403 | 1 | DECAL - DANGER ROTATING SHAFT |
| 28062503 | 1 | DECAL - DANGER MISSING GUARD |
| 28062603 | 1 | SAFETY CHAIN F.PTO AMA |
| 28062703 | 1 | PTO OUTER 1-3/8X6 (NO SHIELD) |
| 28062803 | 1 | PTO INNER D25 (NO SHIELD) |
| 28062903 | 1 | PTO SHIELD COMPLETE |
| 28063003 | 1 | PTO YOKE D30 AMA |
| 28063103 | 1 | PTO INNER D30 (NO SHIELD) |
| 28063203 | 1 | PTO INNER 1-3/8X6 (NO SHIELD) |
| 28063303 | 1 | PTO SHIELD COMPLETE |
| 28063403 | 1 | PTO OUTER 1-3/8X6 (NO SHIELD) |
| 28063503 | 1 | PTO INNER 1-3/8X6 (NO SHIELD) |
| 28093403 | 1 | PTO OUTER TUBE BEARING AMA |
| 28093503 | 1 | PTO INNER TUBE BEARING AMA |



| parts-n° | order qty | description |
|----------|-----------|---------------------------------|
| 146644 | 1 | PIN D3X19 STAINLESS |
| 160167 | 1 | MOUNTING PLATE LP |
| 160171 | 1 | MOUNTING PLATE NK |
| 241323 | 1 | O-RING D5.3X2.4 NITRIL |
| 320047 | 1 | FITT.DK CAPNUT 1/2" BSP |
| 320073 | 1 | DISTRIBUTOR HOUSING 1/2" |
| 320084 | 1 | FITT.DK NUT 1/2" BSP |
| 320095 | 1 | FITT.DK NUT 1" BSP |
| 320106 | 1 | FITT.DK CAPNUT 1" BSP |
| 320117 | 1 | FITT.DK CONN.1/2"BSP F. 1" CAP |
| 330212 | 1 | O-RING D19/D14X2.4 F.1/2"NUT |
| 330293 | 1 | VALVE SEAT WITH 3/8" HOSE TAIL |
| 330304 | 1 | VALVE CONE D14 |
| 330315 | 1 | O-RING D18.4/D13X.6 |
| 330326 | 1 | O-RING D30/D24X2 F.1"NUT |
| 330337 | 1 | HANDLE F. FLIP VALVE |
| 331122 | 1 | VALVE SEAT WITH 1/2" HOSE TAIL |
| 334533 | 1 | CLAMP HOSE PLASTIC 3/8" |
| 334534 | 1 | CLAMP HOSE PLASTIC 1/2" |
| 420582 | 1 | BOLT HEX 8.8 DEL M8X20 FT A2 |
| 420626 | 1 | BOLT HEX 8.8 DEL M10X20 FT |
| 460342 | 1 | NUT HEX M10 DEL DIN934 |
| 460364 | 1 | NUT HU M8 A2 SS DIN934 |
| 702634 | 1 | DIST.HOUSING ASSEMBLY (2-VALVE) |
| 709741 | 1 | VALVE ASSY. 1/2" FLIP LEVER |
| 841072 | 1 | DISTRIBUT. VALVE 1/2" NK |
| 841094 | 1 | DISTRIBUT. VALVE 1/2" LP,BL |
| 92701703 | 1 | HOSE R X3/8" X300PSI WP X0012" |
| 92702103 | 1 | HOSE R X1/2" X300PSI WP X0012" |



B0070



| parts-n° | order qty | description |
|----------|-----------|--------------------------------|
| 141072 | 1 | SPRING GUIDE M70 HT |
| 160097 | 1 | SPRING RETAINER 8,2/19 |
| 160101 | 1 | SPRING RETAINER 10,5/19 |
| 160112 | 1 | WEAR PLATE M70 |
| 160134 | 1 | MOUNTING PLATE M 70 |
| 220032 | 1 | SPRING FOR PIVOT 48,5/0 14,5 |
| 240041 | 1 | O-RING D15.1/10.3 X 2.4 |
| 320014 | 1 | CASING CONTROL UNIT, END M70 |
| 320025 | 1 | CASING CONTROL UNIT,CENTRE M70 |
| 320036 | 1 | CAS. CONTR. UNIT END M70 |
| 320047 | 1 | FITT.DK CAPNUT 1/2" BSP |
| 320084 | 1 | FITT.DK NUT 1/2" BSP |
| 320095 | 1 | FITT.DK NUT 1" BSP |
| 320482 | 1 | FITT.DK ELB. 1/2" BSP 60 DEG. |
| 322069 | 1 | FITTING |
| 330061 | 1 | O-RING D16/D11X2,5 |
| 330131 | 1 | CASING CONTROL UNIT , MODEL 70 |
| 330142 | 1 | O-RING D69X2 |
| 330153 | 1 | VALVE CONE D26 |
| 330164 | 1 | SPACER CONTROL UNIT, MODEL 70 |
| 330197 | 1 | SPRING GUIDE |
| 330201 | 1 | VALVE CONE D24 |
| 330212 | 1 | O-RING D19/D14X2.4 F.1/2"NUT |
| 330326 | 1 | O-RING D30/D24X2 F.1"NUT |
| 330341 | 1 | FITT.DK HB 1" F. 1" NUT |
| 330665 | 1 | FITT.DK HB 3/4"F.1" NUT |
| 330676 | 1 | FITT.DK HB 3/8" F. 1/2" NUT |
| 330687 | 1 | FITT.DK HB 1/2" F. 1/2" NUT |
| 334533 | 1 | CLAMP HOSE PLASTIC 3/8" |
| 334534 | 1 | CLAMP HOSE PLASTIC 1/2" |
| 410303 | 1 | BOLT HEX 8.8 DEL M6X130 |
| 420626 | 1 | BOLT HEX 8.8 DEL M10X20 FT |
| 460143 | 1 | SELF LOCK NUT M8 SST A2 DIN985 |
| 460202 | 1 | NUT HEX M6 |
| 460342 | 1 | NUT HEX M10 DEL DIN934 |
| 471125 | 1 | WASHER M6U 6.4X14X1.2,A2 SS |
| 471126 | 1 | WASHER, M8, Ø16/ 8.4X 1.6, SS |
| 700206 | 1 | RELIEF SCREW COMPLETE 3/4" RG |
| 700217 | 1 | PRESSURE REGULAT SPRING(ARM 70 |
| 700232 | 1 | HANDLE, M70 CONTROL, BLACK |
| 704277 | 1 | PRESSURE SPRING COMPL. M70 HT |
| 709192 | 1 | HANDLE, M70 CONTROL, RED, |
| 750208 | 1 | REPAIR KIT M70 |
| 841013 | 1 | OPERATING UNIT M70 |
| 841131 | 1 | OP.UN.M70 HT |
| 10609903 | 1 | GAUGE 2.5" SS BOTT. PSI 600 |
| 28026203 | 1 | GAUGE 200PSI/BR,2.5"1/4BSP-BTM |
| 28029903 | 1 | CLAMP HOSE GEAR P3/4"-S1" 6712 |
| 28030003 | 1 | CLAMP HOSE GEAR P1" 6716 |
| 92701703 | 1 | HOSE R X3/8" X300PSI WP X0012" |
| 92702103 | 1 | HOSE R X1/2" X300PSI WP X0012" |
| 92702403 | 1 | HOSE PVC SUCT GRAY 1" |
| 92703203 | 1 | HOSE R X3/4" X300PSI WP X0012" |
| 92712403 | 1 | HOSE R X1" X300PSI WP X0012" |



BOOM - 14' HD
D0020-HIN, 19:08:19

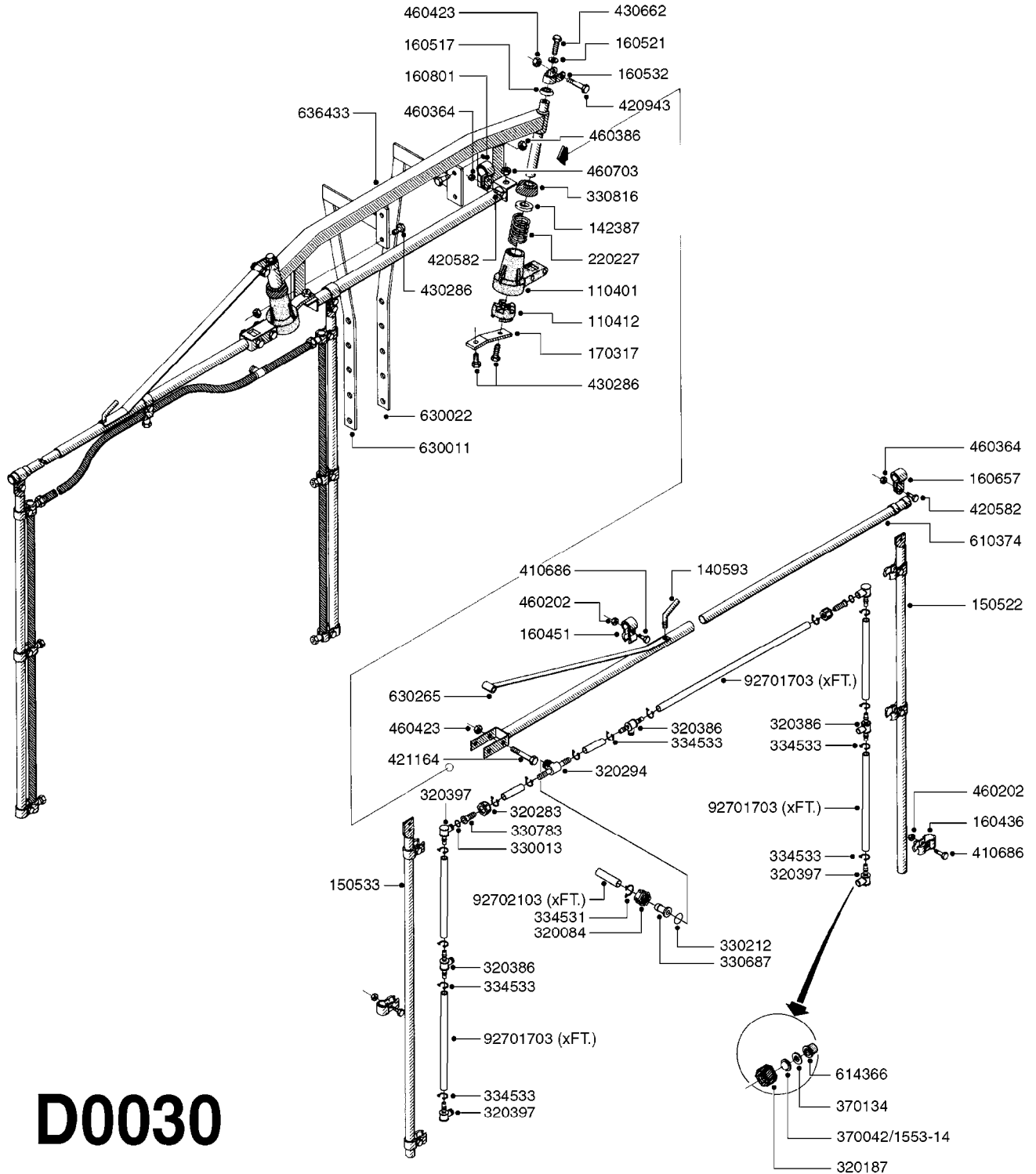
Page 1
Date 07.02.2020 7:50

| parts-n° | order qty | description |
|----------|-----------|-----------------------------------|
| 110401 | 1 | SPRING HOUSING STD BOOM |
| 110412 | 1 | CLUTCH STANDARD BOOM |
| 142387 | 1 | WASHER D40D23X5 |
| 160436 | 1 | PIPE BRANCH HOLDER D22,2 |
| 160451 | 1 | PIPE BRANCH HOLDER D25,4 |
| 160462 | 1 | PIPE BRANCH HOLDER D31,7 |
| 160517 | 1 | SPACER COLLAR, STANDARD BOM |
| 160521 | 1 | WASHER D30.5/D13X2 |
| 160532 | 1 | CLAMP SWIVEL F. BOOM 14'H.D. |
| 170063 | 1 | SUPPORT BRKT.(USE-#725434 kit) |
| 170317 | 1 | CROSSBAR FOR BOOM WINE II |
| 220227 | 1 | SPRING FOR PIVOT |
| 242594 | 1 | O-RING D14 X 1.78 SCH.70-EPDM |
| 320084 | 1 | FITT.DK NUT 1/2" BSP |
| 320283 | 1 | FITT.DK NUT 3/4"BSP |
| 320386 | 1 | FITT.DK TEE 3/8X3/8HB X3/8"BSP |
| 320397 | 1 | FITT.DK ELB 3/8"HB X 3/8" BSP |
| 320401 | 1 | FITT.DK TEE 1/2X1/2HB X1/2"BSP |
| 321517 | 1 | FITT.DK CAP 3/8" BSP WHITE |
| 330212 | 1 | O-RING D19/D14X2.4 F.1/2"NUT |
| 330687 | 1 | FITT.DK HB 1/2" F. 1/2" NUT |
| 330816 | 1 | DUST COVER PLASTIC/STD.BOOM |
| 334533 | 1 | CLAMP HOSE PLASTIC 3/8" |
| 334534 | 1 | CLAMP HOSE PLASTIC 1/2" |
| 371709 | 1 | NOZZLE ISO F-03-110 BLUE |
| 371771 | 1 | NOZZLE ISO CT F-08-110 WHITE |
| 410281 | 1 | BOLT HEX 8.8 DEL M6X25 DIN933 A2 |
| 410686 | 1 | BOLT HEX 8.8 DEL M6X30 |
| 420464 | 1 | BOLT HEX 8.8 DEL 3/8'X20MM |
| 420582 | 1 | BOLT HEX 8.8 DEL M8X20 FT A2 |
| 420943 | 1 | BOLT HEX 8.8 DEL M10X50 |
| 421164 | 1 | BOLT HEX 8.8 DEL M10X70 |
| 430286 | 1 | BOLT HEX 8.8 DEL M12X30 FT |
| 430662 | 1 | BOLT HEX 8.8 DEL M12X20 FT |
| 430721 | 1 | BOLT HEX 8.8 DEL M12X40 FT |
| 460202 | 1 | NUT HEX M6 |
| 460364 | 1 | NUT HU M8 A2 SS DIN934 |
| 460386 | 1 | NUT HEX M12X1.75 |
| 460423 | 1 | NUT HEX M10X1.50 LOCK DIN985A2 SS |
| 460703 | 1 | NUT HEX M12X1.75 LOCK DIN985A2 SS |
| 471127 | 1 | WASHER, M12, Ø24/13X24X2.5 SS |
| 610105 | 1 | NOZZLE FILTER |
| 610374 | 1 | BOOM WING OUT.SECTION (WINE11) |
| 614610 | 1 | NOZZLE TUBE 2 HOLE L-24"/SP20" |
| 614611 | 1 | NOZZLE TUBE 3 HOLE L-44"/SP20" |
| 630265 | 1 | BOOM WING 14' BOOM |
| 636433 | 1 | CENTER SECTION 14' BOOM D27.0 |
| 716236 | 1 | FITT.DK HB 1/2" ASSY. F. 3/4" |
| 716413 | 1 | FITT.DK PLUG ASSY. F.NOZ TUBE |
| 725043 | 1 | SCREEN 50 MESH W.GASKET,BLUE |
| 725079 | 1 | NOZZLE ASSY.SING.SNAP-FIT GREN |
| 19000003 | 1 | MOUNT ANGLE BRACKET ES50/80 |
| 61000203 | 1 | MOUNT BRACKET F.14' BOOM |
| 92701703 | 1 | HOSE R X3/8" X300PSI WP X0012" |
| 92702103 | 1 | HOSE R X1/2" X300PSI WP X0012" |



BOOM - V-II
D0030-HIN, 01:01:16

| | |
|------|-----------------|
| Page | 0 |
| Date | 07.02.2020 7:50 |



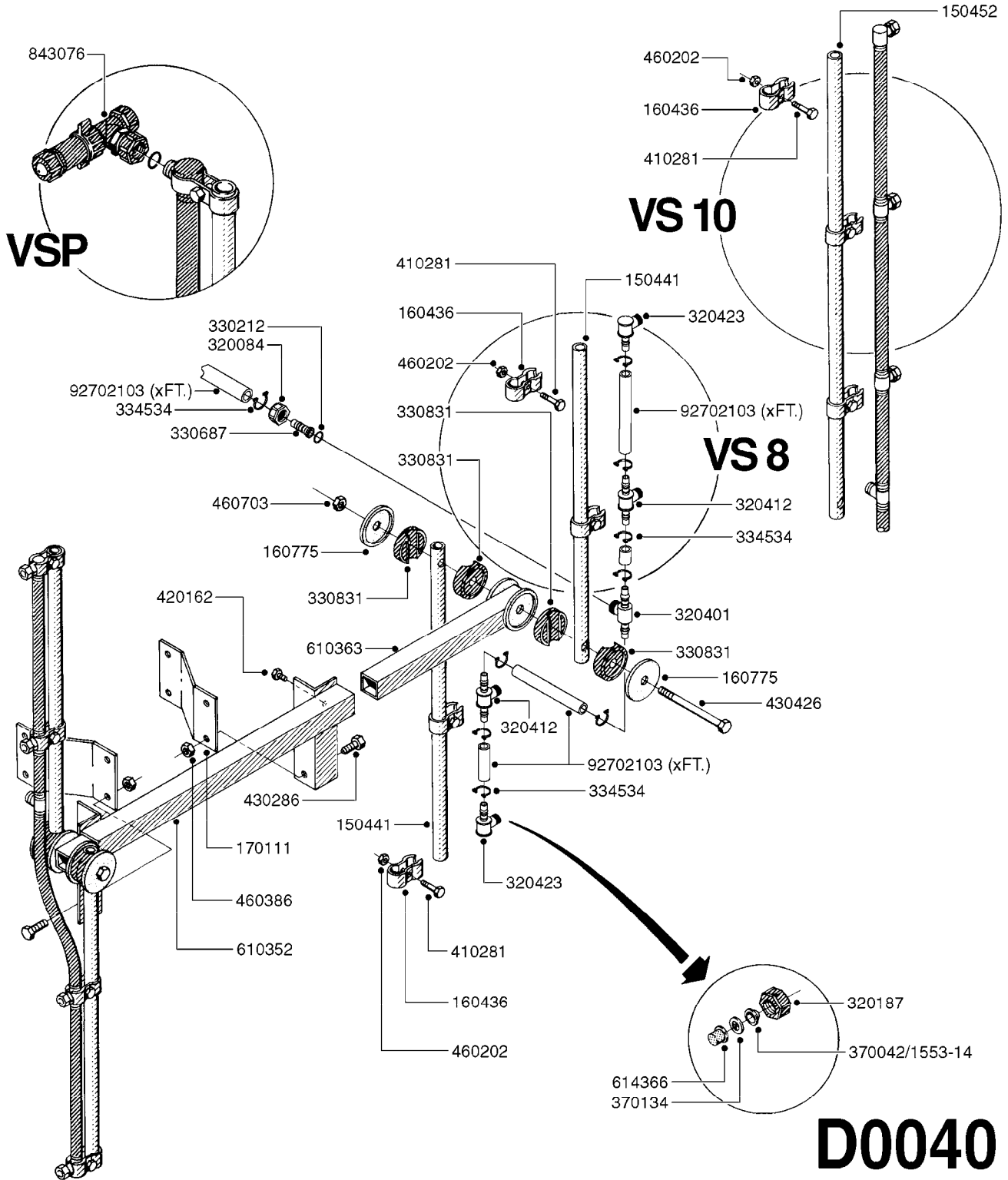
D0030



BOOM - V-II
D0030-HIN, 01:01:16

Page 1
Date 07.02.2020 7:50

| parts-n° | order qty | description |
|----------|-----------|-----------------------------------|
| 110401 | 1 | SPRING HOUSING STD BOOM |
| 110412 | 1 | CLUTCH STANDARD BOOM |
| 140593 | 1 | THUMB SCREW |
| 142387 | 1 | WASHER D40D23X5 |
| 150522 | 1 | DROP TUBE WINE II |
| 150533 | 1 | DROP TUBE WINE II |
| 160436 | 1 | PIPE BRANCH HOLDER D22,2 |
| 160451 | 1 | PIPE BRANCH HOLDER D25,4 |
| 160517 | 1 | SPACER COLLAR, STANDARD BOM |
| 160521 | 1 | WASHER D30.5/D13X2 |
| 160532 | 1 | CLAMP SWIVEL F. BOOM 14'H.D. |
| 160657 | 1 | CLIP FITTING FOT D22,2 |
| 160801 | 1 | CLIP FITTINGS 31.7 |
| 170317 | 1 | CROSSBAR FOR BOOM WINE II |
| 220227 | 1 | SPRING FOR PIVOT |
| 320084 | 1 | FITT.DK NUT 1/2" BSP |
| 320187 | 1 | FITT.DK CAP 3/8" BSP BLACK |
| 320283 | 1 | FITT.DK NUT 3/4"BSP |
| 320294 | 1 | FITT.DK TEE 3/8X3/8HB X1/2"BSP |
| 320386 | 1 | FITT.DK TEE 3/8X3/8HB X3/8"BSP |
| 320397 | 1 | FITT.DK ELB 3/8"HB X 3/8" BSP |
| 330013 | 1 | O-RING 2.5 X 10 PUR |
| 330212 | 1 | O-RING D19/D14X2.4 F.1/2"NUT |
| 330687 | 1 | FITT.DK HB 1/2" F. 1/2" NUT |
| 330783 | 1 | FITT.DK HB 3/8"F.3/8" NUT |
| 330816 | 1 | DUST COVER PLASTIC/STD.BOOM |
| 334531 | 1 | CLAMP HOSE PLASTIC 3/4" |
| 334533 | 1 | CLAMP HOSE PLASTIC 3/8" |
| 370042 | 1 | NOZZLE CONE JET 1553-14 |
| 370134 | 1 | NOZZLE SWIRL 1554-GREY |
| 410686 | 1 | BOLT HEX 8.8 DEL M6X30 |
| 420582 | 1 | BOLT HEX 8.8 DEL M8X20 FT A2 |
| 420943 | 1 | BOLT HEX 8.8 DEL M10X50 |
| 421164 | 1 | BOLT HEX 8.8 DEL M10X70 |
| 430286 | 1 | BOLT HEX 8.8 DEL M12X30 FT |
| 430662 | 1 | BOLT HEX 8.8 DEL M12X20 FT |
| 460202 | 1 | NUT HEX M6 |
| 460364 | 1 | NUT HU M8 A2 SS DIN934 |
| 460386 | 1 | NUT HEX M12X1.75 |
| 460423 | 1 | NUT HEX M10X1.50 LOCK DIN985A2 SS |
| 460703 | 1 | NUT HEX M12X1.75 LOCK DIN985A2 SS |
| 610374 | 1 | BOOM WING OUT.SECTION (WINE11) |
| 614366 | 1 | FILTER 50 MESH F.NOZZLE BLUE |
| 630011 | 1 | 630011 |
| 630022 | 1 | 630022 |
| 630265 | 1 | BOOM WING 14' BOOM |
| 636433 | 1 | CENTER SECTION 14' BOOM D27.0 |
| 92701703 | 1 | HOSE R X3/8" X300PSI WP X0012" |
| 92702103 | 1 | HOSE R X1/2" X300PSI WP X0012" |





BOOM - VS-8 & VS-10
D0040-HIN, 01:01:16

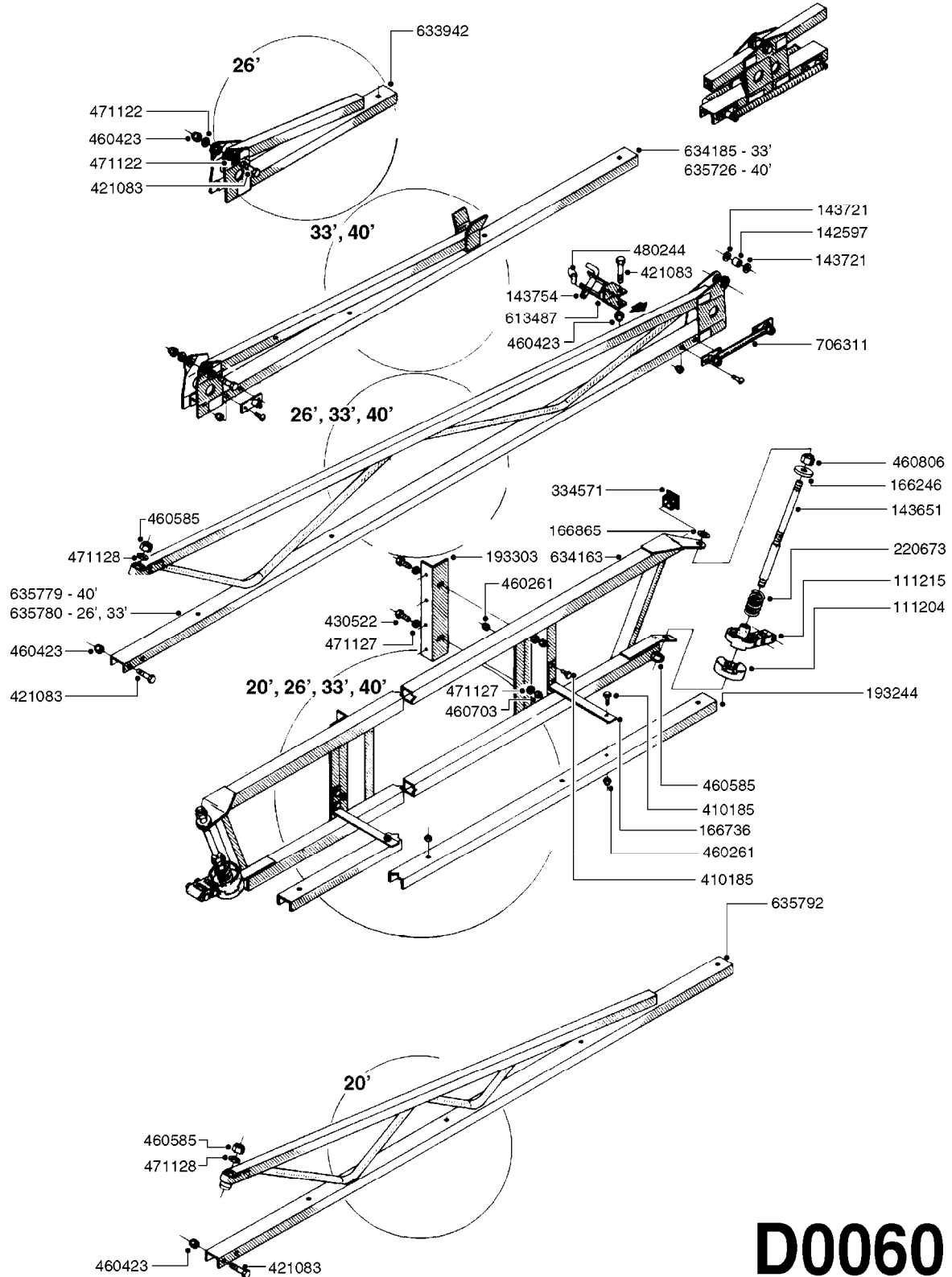
Page 1
Date 07.02.2020 7:50

| parts-n° | order qty | description |
|----------|-----------|-----------------------------------|
| 150441 | 1 | BOOM WING OUT.SEC. WINE S630MM |
| 150452 | 1 | BOOM WING OUT.SEC. WINE S930MM |
| 160436 | 1 | PIPE BRANCH HOLDER D22,2 |
| 160775 | 1 | WASHER F. FRICTION PLATE |
| 170111 | 1 | SUPP. ARM VIN S |
| 320084 | 1 | FITT.DK NUT 1/2" BSP |
| 320187 | 1 | FITT.DK CAP 3/8" BSP BLACK |
| 320401 | 1 | FITT.DK TEE 1/2X1/2HB X1/2"BSP |
| 320412 | 1 | FITT.DK TEE 1/2X1/2HB X3/8'BSP |
| 320423 | 1 | FITT.DK ELB 1/2'HB X 3/8' BSP |
| 330212 | 1 | O-RING D19/D14X2.4 F.1/2"NUT |
| 330687 | 1 | FITT.DK HB 1/2" F. 1/2" NUT |
| 330831 | 1 | FRICTION PLATE |
| 334534 | 1 | CLAMP HOSE PLASTIC 1/2" |
| 370042 | 1 | NOZZLE CONE JET 1553-14 |
| 370134 | 1 | NOZZLE SWIRL 1554-GREY |
| 410281 | 1 | BOLT HEX 8.8 DEL M6X25 DIN933 A2 |
| 420162 | 1 | BOLT HEX 8.8 DEL 3/8"x15MM |
| 430286 | 1 | BOLT HEX 8.8 DEL M12X30 FT |
| 430426 | 1 | BOLT HEX 8.8 DEL M12X130 |
| 460202 | 1 | NUT HEX M6 |
| 460386 | 1 | NUT HEX M12X1.75 |
| 460703 | 1 | NUT HEX M12X1.75 LOCK DIN985A2 SS |
| 610352 | 1 | CENTER SECTION WINE S |
| 610363 | 1 | BOOM WING INNER SECTION |
| 614366 | 1 | FILTER 50 MESH F.NOZZLE BLUE |
| 843076 | 1 | SPR. PISTOL FOR BOOM (PLAST) |
| 92702103 | 1 | HOSE R X1/2" X300PSI WP X0012" |



BOOM - SB 20' 26' 33' 40'
D0060-HIN, 18:12:19

Page 0
Date 07.02.2020 7:50



D0060

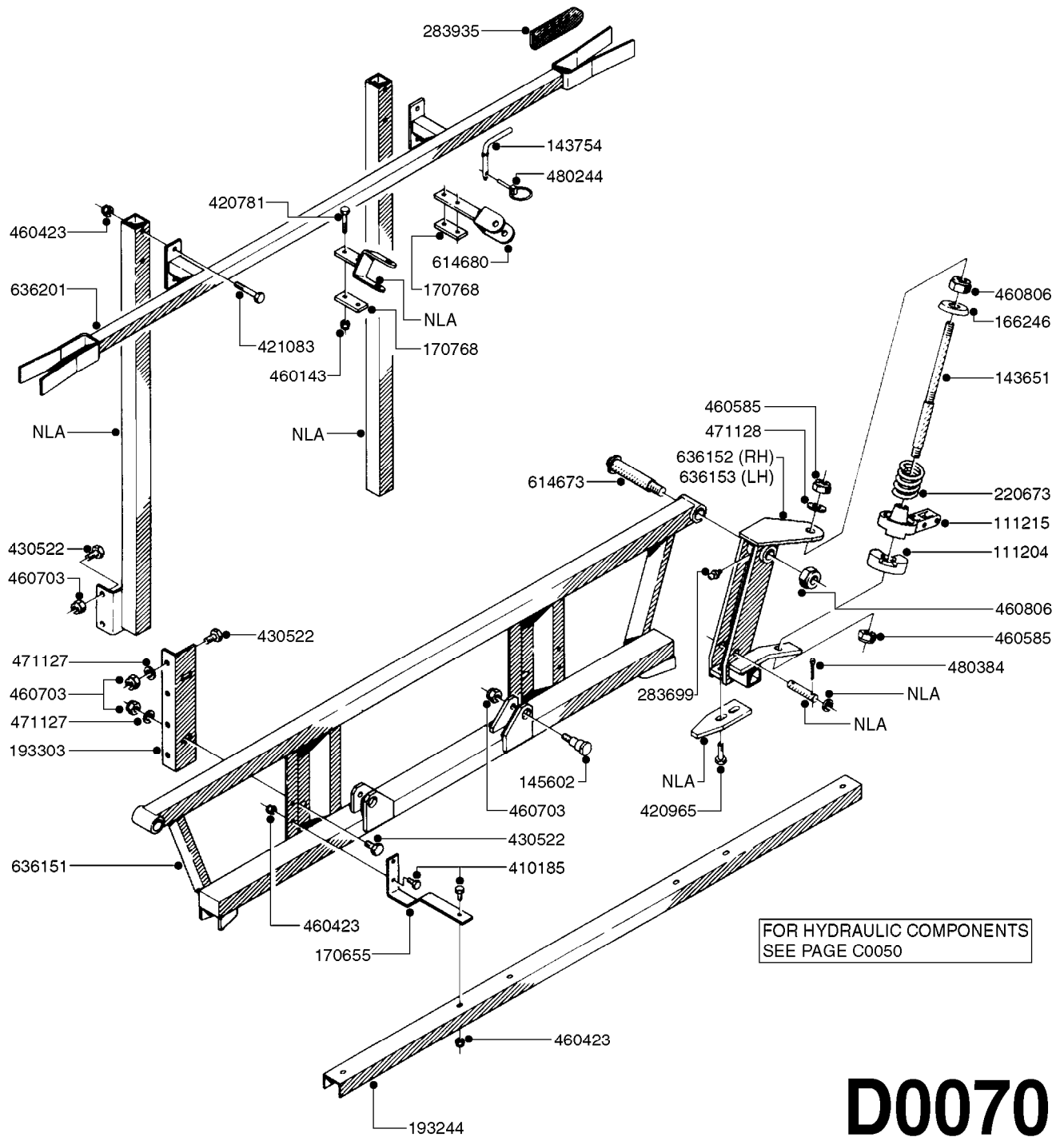


BOOM - SB 20' 26' 33' 40'
D0060-HIN, 18:12:19

Page 1

Date 07.02.2020 7:50

| parts-n° | order qty | description |
|----------|-----------|-----------------------------------|
| 111204 | 1 | CLAW CLUTCH/LOWER D80 |
| 111215 | 1 | CLAW CLUTCH/UPPER D80 |
| 142597 | 1 | DISTANCE TUBE |
| 143651 | 1 | AXLE M20/M16 L=355 F/BREAKAWAY |
| 143721 | 1 | FRICITION DISC FOR BOOM D30 |
| 143754 | 1 | PIN D10 X 56 |
| 166246 | 1 | WASHER CUP D53 F.SPRING |
| 166736 | 1 | CLAMP FOR SB BOOM |
| 166865 | 1 | WASHER D35/D25X2 |
| 193244 | 1 | NOZZLE TRACK 6-8-10 M SB |
| 193303 | 1 | SUPPORTING ARM FOR SB BOOM |
| 220673 | 1 | SPRING F.PIVOT 100 X 51 |
| 334571 | 1 | PLUG 40x40x2 F.SQ.TUBE |
| 410185 | 1 | BOLT HEX 8.8 DEL M6X16 |
| 421083 | 1 | BOLT HEX 8.8 DEL M10X65 |
| 430522 | 1 | BOLT HEX 8.8 DEL M12X25 FT |
| 460261 | 1 | NUT HEX M6X1.00 LOCK DIN985 A2 SS |
| 460423 | 1 | NUT HEX M10X1.50 LOCK DIN985A2 SS |
| 460585 | 1 | LOCKING NUT M16 DIN985 A2 SS |
| 460703 | 1 | NUT HEX M12X1.75 LOCK DIN985A2 SS |
| 460806 | 1 | NUT HEX M20X2.50 LOCK DIN985A2 SS |
| 471122 | 1 | WASHER, M10, Ø20/10.5X 2.0, SS |
| 471127 | 1 | WASHER, M12, Ø24/13X24X2.5 SS |
| 471128 | 1 | WASHER, M16, Ø30/17.0X 3.0, SS |
| 480244 | 1 | PIN SNAP D4.5 |
| 613487 | 1 | TRANSPORT FITTINGS FOR SB BOOM |
| 633942 | 1 | OUTER BOOM WING 26', 28' SB |
| 634163 | 1 | CENTER SECTION - 20',26',33' |
| 634185 | 1 | BOOM WING OUTER PART 33' SB |
| 635726 | 1 | BOOM WING OUTER PART 40' SB |
| 635779 | 1 | INNER WING SECTION 40' SB |
| 635780 | 1 | INNER WING SEC. 26',28',33'SB |
| 635792 | 1 | BOOM WING - 20',21'SB-BOOM |
| 706311 | 1 | SPRING WITH HAND-GRIB |





BOOM - SB H-FRAME & CENTER HY
D0070-HIN, 01:01:16

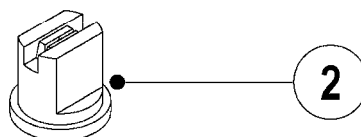
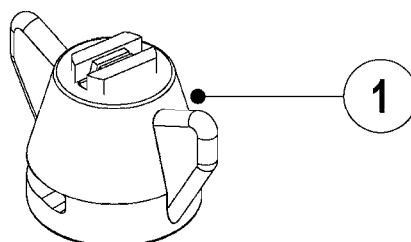
Page 1

Date 07.02.2020 7:50

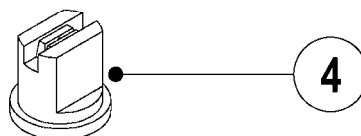
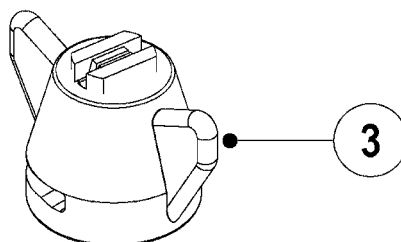
| parts-n° | order qty | description |
|----------|-----------|-----------------------------------|
| 111204 | 1 | CLAW CLUTCH/LOWER D80 |
| 111215 | 1 | CLAW CLUTCH/UPPER D80 |
| 143651 | 1 | AXLE M20/M16 L=355 F/BREAKAWAY |
| 143754 | 1 | PIN D10 X 56 |
| 145602 | 1 | BOLT SHOULDER M12 X 68 D=17 |
| 166246 | 1 | WASHER CUP D53 F.SPRING |
| 170655 | 1 | BRKT. F/SB/HY CENTER |
| 170768 | 1 | FLAT BAR 30X6 L=70/2XØ9 |
| 193244 | 1 | NOZZLE TRACK 6-8-10 M SB |
| 193303 | 1 | SUPPORTING ARM FOR SB BOOM |
| 220673 | 1 | SPRING F.PIVOT 100 X 51 |
| 283699 | 1 | GREASE NIPPLE M6X1 |
| 283935 | 1 | PLASTIC COVER F. ARM SB/HYD |
| 410185 | 1 | BOLT HEX 8.8 DEL M6X16 |
| 420781 | 1 | BOLT HEX 8.8 DEL M8X50 |
| 420965 | 1 | M10X40 MACHINE SCREW STAINLESS |
| 421083 | 1 | BOLT HEX 8.8 DEL M10X65 |
| 430522 | 1 | BOLT HEX 8.8 DEL M12X25 FT |
| 460143 | 1 | SELF LOCK NUT M8 SST A2 DIN985 |
| 460423 | 1 | NUT HEX M10X1.50 LOCK DIN985A2 SS |
| 460585 | 1 | LOCKING NUT M16 DIN985 A2 SS |
| 460703 | 1 | NUT HEX M12X1.75 LOCK DIN985A2 SS |
| 460806 | 1 | NUT HEX M20X2.50 LOCK DIN985A2 SS |
| 471127 | 1 | WASHER, M12, Ø24/13X24X2.5 SS |
| 471128 | 1 | WASHER, M16, Ø30/17.0X 3.0, SS |
| 480244 | 1 | PIN SNAP D4.5 |
| 480384 | 1 | PIN COTTER 3/16 x 1-1/2" |
| 614673 | 1 | PIN D26X140MM |
| 614680 | 1 | ARM LONG FOR SB BOOM |
| 636151 | 1 | CENTER FRAME SB/ |
| 636152 | 1 | HINGE 20/26'HY FOLD RH |
| 636153 | 1 | HINGE 20/26' HY FOLD LH |
| 636201 | 1 | TRANSPORT F.SB HYDRAULIC BOOM |



SYNTAL



CERAMIC



D1000



BOOM-NOZZLES 110° FLAT FAN ISO
D1000-HIN, 01:01:16

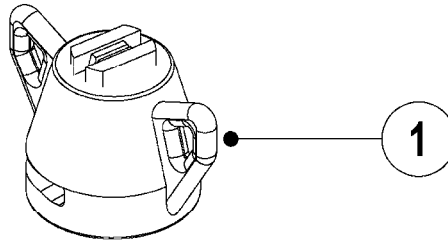
Page 1

Date 07.02.2020 7:50

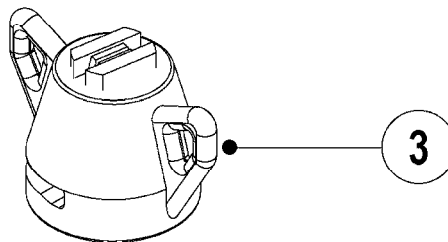
| Pos. | parts-n° | order qty | description |
|------|----------|-----------|--------------------------------|
| 1 | 371764 | 1 | NOZZLE ISO CT F-01-110 ORANGE |
| 1 | 371765 | 1 | NOZZLE ISO CT F-015-110 GREEN |
| 1 | 371766 | 1 | NOZZLE ISO CT F-02-110 YELLOW |
| 1 | 371767 | 1 | NOZZLE ISO CT F-03-110 BLUE |
| 1 | 371768 | 1 | NOZZLE ISO CT F-04-110 RED |
| 1 | 371769 | 1 | NOZZLE ISO CT F-05-110 BROWN |
| 1 | 371770 | 1 | NOZZLE ISO CT F-06-110 GREY |
| 1 | 371771 | 1 | NOZZLE ISO CT F-08-110 WHITE |
| 1 | 371950 | 1 | NOZZLE ISO CT F-025-110 LILAC |
| 1 | 371964 | 1 | NOZZLE ISO CT F-075-110 PINK |
| 1 | 371970 | 1 | NOZZLE ISO CT F-10-110 LT BLUE |
| 2 | 371706 | 1 | NOZZLE ISO F-01-110 ORANGE |
| 2 | 371707 | 1 | NOZZLE ISO F-015-110 GREEN |
| 2 | 371708 | 1 | NOZZLE ISO F-02-110 YELLOW |
| 2 | 371709 | 1 | NOZZLE ISO F-03-110 BLUE |
| 2 | 371710 | 1 | NOZZLE ISO F-04-110 RED |
| 2 | 371711 | 1 | NOZZLE ISO F-05-110 BROWN |
| 2 | 371712 | 1 | NOZZLE ISO F-06-110 GREY |
| 2 | 371713 | 1 | NOZZLE ISO F-08-110 WHITE |
| 2 | 371946 | 1 | NOZZLE ISO F-025-110 LILAC |
| 2 | 371963 | 1 | NOZZLE ISO F-075-110 PINK |
| 2 | 371966 | 1 | NOZZLE ISO F-10-110 LT BLUE |
| 3 | 371772 | 1 | NOZZLE ISO CT F-015-110C GREEN |
| 3 | 371773 | 1 | NOZZLE ISO CT F-02-110C YELLOW |
| 3 | 371774 | 1 | NOZZLE ISO CT F-03-110C BLUE |
| 3 | 371775 | 1 | NOZZLE ISO CT F-04-110C RED |
| 3 | 371776 | 1 | NOZZLE ISO CT F-05-110C BROWN |
| 3 | 371777 | 1 | NOZZLE ISO CT F-06-110C GREY |
| 4 | 371738 | 1 | NOZZLE ISO F-015-110C GREEN |
| 4 | 371739 | 1 | NOZZLE ISO F-02-110C YELLOW |
| 4 | 371740 | 1 | NOZZLE ISO F-03-110C BLUE |
| 4 | 371741 | 1 | NOZZLE ISO F-04-110C RED |
| 4 | 371742 | 1 | NOZZLE ISO F-05-110C BROWN |
| 4 | 371743 | 1 | NOZZLE ISO F-06-110C GREY |



SYNTAL



CERAMIC



D1010



BOOM-NOZZLES 110° LOWDRIFT ISO
D1010-HIN, 01:01:16

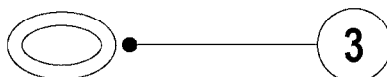
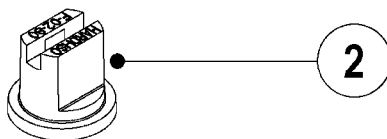
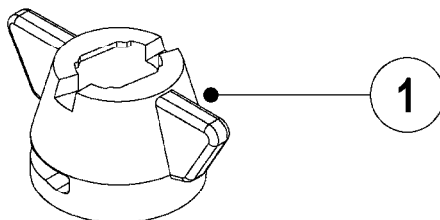
Page 1

Date 07.02.2020 7:50

| Pos. | parts-n° | order qty | description |
|------|----------|-----------|--------------------------------|
| 1 | 371837 | 1 | NOZZLE ISO CT LD-01-110 ORANGE |
| 1 | 371838 | 1 | NOZZLE ISO CT LD-015-110 GREEN |
| 1 | 371839 | 1 | NOZZLE ISO CT LD-02-110 YELLOW |
| 1 | 371840 | 1 | NOZZLE ISO CT LD-03-110 BLUE |
| 1 | 371841 | 1 | NOZZLE ISO CT LD-04-110 RED |
| 1 | 371894 | 1 | NOZZLE ISO CT LD-05-110 BROWN |
| 1 | 371958 | 1 | NOZZLE ISO CT LD-025-110 LILAC |
| 2 | 371817 | 1 | NOZZLE ISO LD-01-110 ORANGE |
| 2 | 371818 | 1 | NOZZLE ISO LD-015-110 GREEN |
| 2 | 371819 | 1 | NOZZLE ISO LD-02-110 YELLOW |
| 2 | 371820 | 1 | NOZZLE ISO LD-03-110 BLUE |
| 2 | 371821 | 1 | NOZZLE ISO LD-04-110 RED |
| 2 | 371893 | 1 | NOZZLE ISO LD-05-110 BROWN |
| 2 | 371957 | 1 | NOZZLE ISO LD-025-110 LILAC |
| 3 | 371842 | 1 | NOZZLE ISO CT LD-01-110C ORANG |
| 3 | 371843 | 1 | NOZZLE ISO CT LD-015-110C GRN |
| 3 | 371844 | 1 | NOZZLE ISO CT LD-02-110C YELLO |
| 3 | 371845 | 1 | NOZZLE ISO CT LD-03-110C BLUE |
| 3 | 371846 | 1 | NOZZLE ISO CT LD-04-110C RED |
| 3 | 371897 | 1 | NOZZLE ISO CT LD-05-110C BROWN |
| 4 | 371822 | 1 | NOZZLE ISO LD-01-110C ORANGE |
| 4 | 371823 | 1 | NOZZLE ISO LD-015-110C GREEN |
| 4 | 371824 | 1 | NOZZLE ISO LD-02-110C YELLOW |
| 4 | 371825 | 1 | NOZZLE ISO LD-03-110C BLUE |
| 4 | 371826 | 1 | NOZZLE ISO LD-04-110C RED |
| 4 | 371896 | 1 | NOZZLE ISO LD-05-110C BROWN |



SYNTAL



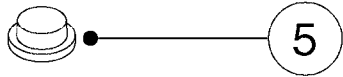
D1020



BOOM-NOZZLES 80° FLAT FAN ISO
D1020-HIN, 01:01:16

Page 1
Date 07.02.2020 7:50

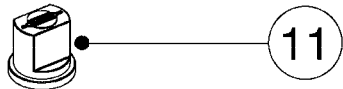
| Pos. | parts-n° | order qty | description |
|------|----------|-----------|--------------------------------|
| 1 | 334083 | 1 | SNAP-FIT NOZZLE HOLDER SS BLCK |
| 2 | 371931 | 1 | SYNTAL ISO F-01-80 TIP ORNG |
| 2 | 371932 | 1 | SYNTAL ISO F-015-80 TIP GREEN |
| 2 | 371933 | 1 | SYNTAL ISO F-02-80 TIP YELLOW |
| 2 | 371934 | 1 | SYNTAL ISO F-03-80 TIP BLUE |
| 3 | 10423503 | 1 | O-RING 9.12x3.53 NITRIL |



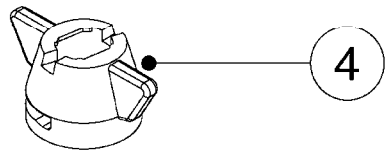
5



14



11



4



13



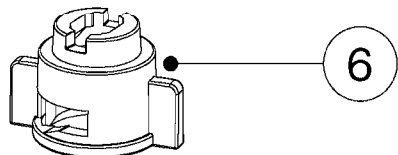
12



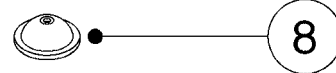
15



10



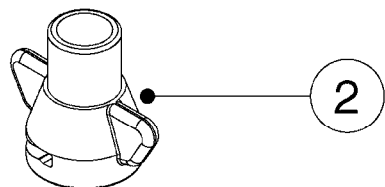
6



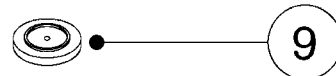
8



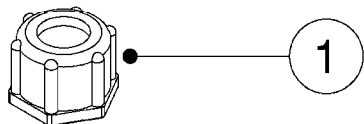
16



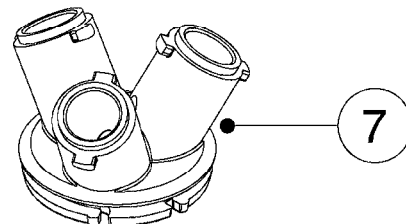
2



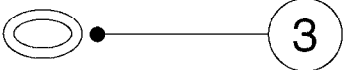
9



1



7



3

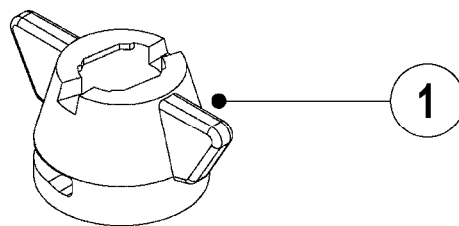
D1030



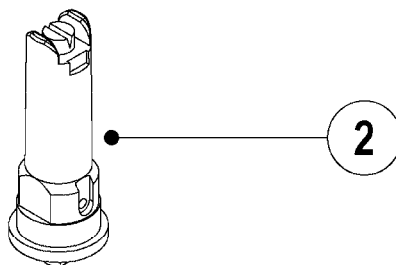
BOOM-NOZZLE CAPS AND FILTERS
D1030-HIN, 28:11:17

Page 1
Date 07.02.2020 7:50

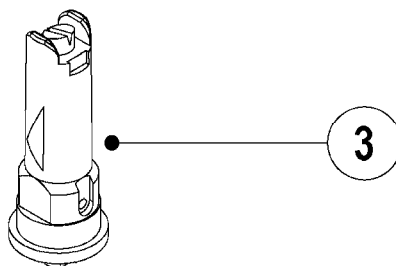
| Pos. | parts-n° | order qty | description |
|------|----------|-----------|---------------------------------------|
| 1 | 320187 | 1 | FITT.DK CAP 3/8" BSP BLACK |
| 1 | 321517 | 1 | FITT.DK CAP 3/8" BSP WHITE |
| | | | ALWAYS USE WITH ISO AND INJET NOZZLES |
| 1 | 321797 | 1 | FITT.DK CAP 3/8' BSP BLUE |
| 1 | 321801 | 1 | FITT.DK CAP 3/8' BSP GREEN |
| 1 | 321812 | 1 | FITT.DK CAP 3/8' BSP RED |
| 1 | 321823 | 1 | FITT.DK CAP 3/8' BSP ORANGE |
| 1 | 321834 | 1 | FITT.DK CAP 3/8' BSP YELLOW |
| 2 | 322068 | 1 | SNAP-FIT ADAPTER THREAD. HARDI |
| 3 | 330013 | 1 | O-RING 2.5 X 10 PUR |
| 4 | 334083 | 1 | SNAP-FIT NOZZLE HOLDER SS BLCK |
| 5 | 334102 | 1 | BLANK F.NOZZLE |
| 6 | 334862 | 1 | NOZZLE CAP TJBBLACK F.ISO/INJET |
| 7 | 334926 | 1 | SNAP-FIT TURN PLATE F TRIPLET |
| 8 | 370016 | 1 | NOZZLE CONE JET 1553-08 |
| 8 | 370027 | 1 | NOZZLE CONE JET 1553-10 |
| 8 | 370031 | 1 | NOZZLE CONE JET 1553-12 |
| 8 | 370042 | 1 | NOZZLE CONE JET 1553-14 |
| 8 | 370053 | 1 | NOZZLE CONE JET 1553-16 |
| 8 | 370064 | 1 | NOZZLE CONE JET 1553-18 |
| 8 | 370075 | 1 | NOZZLE CONE JET 1553-20 |
| 8 | 370086 | 1 | NOZZLE CONE JET 1553-22 |
| 8 | 370097 | 1 | NOZZLE CONE JET 1553-24 |
| 8 | 370101 | 1 | NOZZLE CONE JET 1553-30 |
| 8 | 370112 | 1 | NOZZLE CONE JET 1553-35 |
| 8 | 370123 | 1 | NOZZLE CONE JET 1553-40 |
| 9 | 370134 | 1 | NOZZLE SWIRL 1554-GREY |
| 9 | 370145 | 1 | NOZZLE SWIRL 1554-BLACK |
| 9 | 370156 | 1 | NOZZLE SWIRL 1554-BLUE |
| 9 | 370167 | 1 | NOZZLE SWIRL 1554-1.3 WHITE |
| 10 | 371551 | 1 | NOZZ LRG DROP FLAT SPRAY SINGL |
| 11 | 372140 | 1 | HARDI ISO BLIND CAP |
| 12 | 390639 | 1 | O-RING F.NOZZLE FILTER |
| 13 | 614366 | 1 | FILTER 50 MESH F.NOZZLE BLUE |
| 13 | 614367 | 1 | FILTER 80 MESH F.NOZZLE RED |
| 13 | 614368 | 1 | FILTER 100 MESH F.NOZZLE YEL. |
| 14 | 725042 | 1 | SCREEN 80 MESH W.GASKET, RED |
| 14 | 725043 | 1 | SCREEN 50 MESH W.GASKET,BLUE |
| 14 | 725044 | 1 | SCREEN 100 MESH W.GASKET,YELLO |
| 15 | 10423503 | 1 | O-RING 9.12x3.53 NITRIL |
| 16 | 24022901 | 1 | GASKET D10X19 EP 3.2 |



INJET Nozzle SYNTAL



B-JET Nozzle SYNTAL



D1040

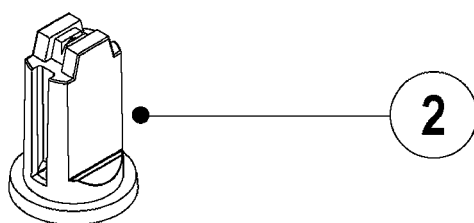
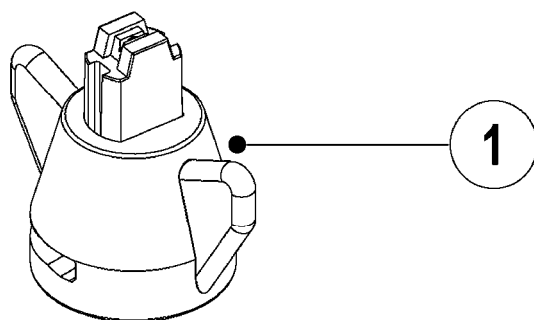


BOOM-NOZZLES INJET
D1040-HIN, 01:01:16

Page 1

Date 07.02.2020 7:50

| Pos. | parts-n° | order qty | description |
|------|----------|-----------|--------------------------------|
| 1 | 334083 | 1 | SNAP-FIT NOZZLE HOLDER SS BLCK |
| 2 | 371872 | 1 | NOZZLE INJET 015 GREEN SINGLE |
| 2 | 371873 | 1 | NOZZLE INJET 02 YELLOW SINGLE |
| 2 | 371874 | 1 | NOZZLE INJET 025 LILAC SINGLE |
| 2 | 371875 | 1 | NOZZLE INJET 03 BLUE SINGLE |
| 2 | 371876 | 1 | NOZZLE INJET 04 RED SINGLE |
| 2 | 371926 | 1 | NOZZLE INJET 01 ORANGE SINGLE |
| 2 | 371927 | 1 | NOZZLE INJET 05 BROWN SINGLE |
| 2 | 371928 | 1 | NOZZLE INJET 06 GREY SINGLE |
| 2 | 371929 | 1 | NOZZLE INJET 08 WHITE SINGLE |
| 3 | 371870 | 1 | NOZZLE B-JET 03 BLUE |
| 3 | 371871 | 1 | NOZZLE B-JET 04 RED |
| 3 | 371877 | 1 | NOZZLE B-JET 025 LILAC |
| 3 | 371930 | 1 | NOZZLE B-JET 02 YELLOW |



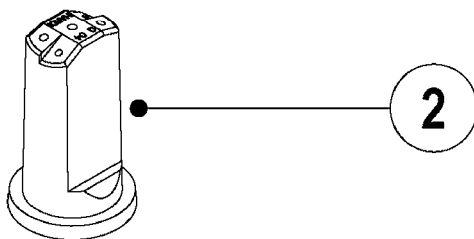
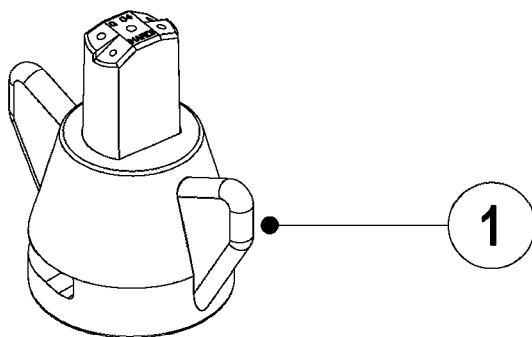
D1050



BOOM-NOZZLES MINIDRIFT
D1050-HIN, 01:01:16

Page 1
Date 07.02.2020 7:50

| Pos. | parts-n° | order qty | description |
|------|----------|-----------|--------------------------------|
| 1 | 372121 | 1 | NOZZLE ISO CT MD-015-110 GREEN |
| 1 | 372122 | 1 | NOZZLE ISO CT MD-02-110 YELLOW |
| 1 | 372123 | 1 | NOZZLE ISO CT MD-025-110 LILAC |
| 1 | 372124 | 1 | NOZZLE ISO CT MD-03-110 BLUE |
| 1 | 372125 | 1 | NOZZLE ISO CT MD-04-110 RED |
| 1 | 372126 | 1 | NOZZLE ISO CT MD-05-110 BROWN |
| 2 | 372111 | 1 | NOZZLE ISO MD-015-110 GREEN |
| 2 | 372112 | 1 | NOZZLE ISO MD-02-110 YELLOW |
| 2 | 372113 | 1 | NOZZLE ISO MD-025-110 LILAC |
| 2 | 372114 | 1 | NOZZLE ISO MD-03-110 BLUE |
| 2 | 372115 | 1 | NOZZLE ISO MD-04-110 RED |
| 2 | 372116 | 1 | NOZZLE ISO MD-05-110 BROWN |



D1060



BOOM-NOZZLES QUINTASTREAM
D1060-HIN, 01:01:16

Page 1

Date 07.02.2020 7:50

| Pos. | parts-n° | order qty | description |
|------|----------|-----------|-------------------------------|
| 1 | 372011 | 1 | NOZZLE ISO QS-015-5H GREEN |
| 1 | 372012 | 1 | NOZZLE ISO QS-02-5H YELLOW |
| 1 | 372013 | 1 | NOZZLE ISO QS-03-5H BLUE |
| 1 | 372014 | 1 | NOZZLE ISO QS-04-5H RED |
| 1 | 372015 | 1 | NOZZLE ISO QS-05-5H BROWN |
| 1 | 372016 | 1 | NOZZLE ISO QS-06-5H GREY |
| 1 | 372017 | 1 | NOZZLE ISO QS-08-5H WHITE |
| 1 | 372018 | 1 | NOZZLE ISO QS-10-5H LT. BLUE |
| 1 | 372019 | 1 | NOZZLE ISO QS-15-5H LT. GREEN |
| 2 | 372002 | 1 | ISO QNTSTRM 015 S-GREEN |
| 2 | 372003 | 1 | ISO QNTSTRM 02 S-YELLOW |
| 2 | 372004 | 1 | ISO QNTSTRM 03 S-BLUE |
| 2 | 372005 | 1 | ISO QNTSTRM 04 S-RED |
| 2 | 372006 | 1 | ISO QNTSTRM 05 S-BROWN |
| 2 | 372007 | 1 | ISO QNTSTRM 06 S-GREY |
| 2 | 372008 | 1 | ISO QNTSTRM 08 S-WHITE |
| 2 | 372009 | 1 | ISO QNTSTRM 10 S-LT.BLU |
| 2 | 372010 | 1 | ISO QNTSTRM 15 S-LT.GRN |



NOZZLE BODIES - THREADED
D1080-HIN, 01:01:16

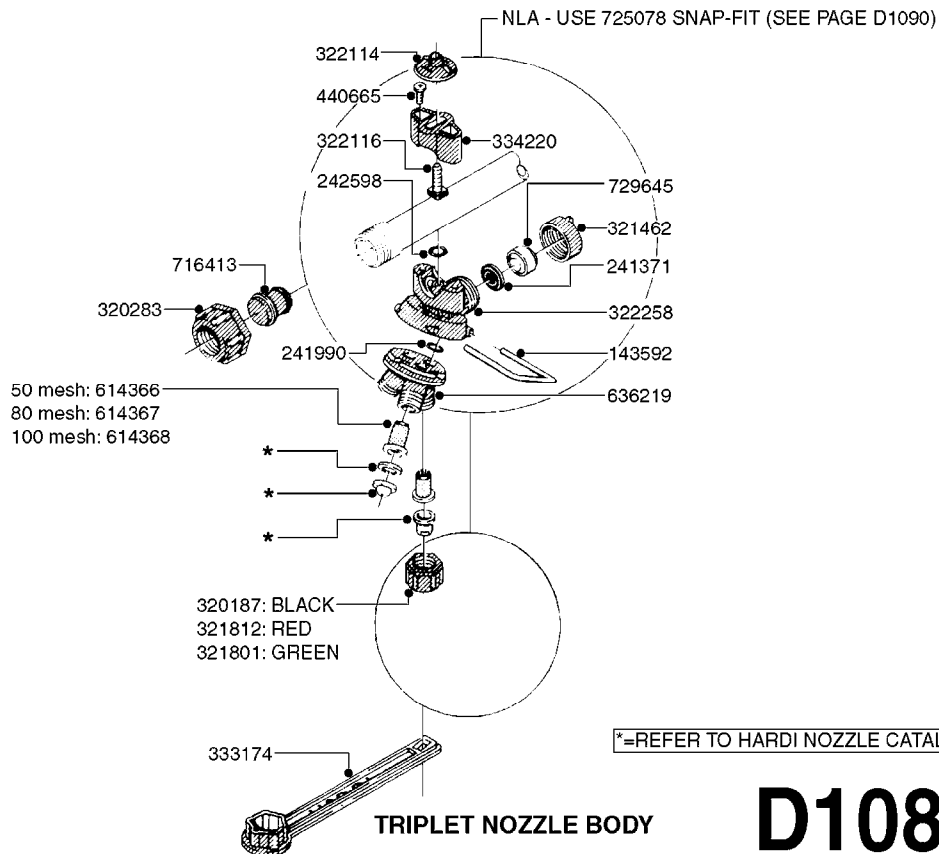
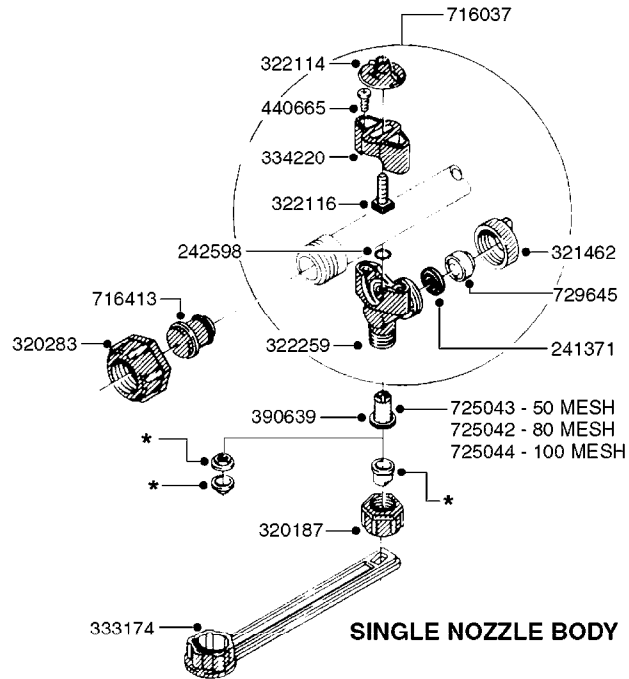
Page

0

Date

07.02.2020

7:50



D1080

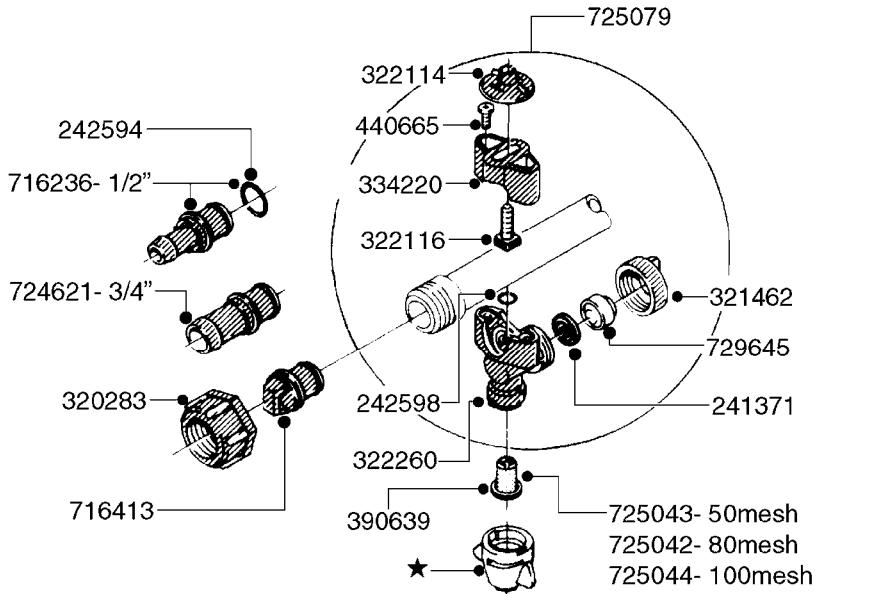


NOZZLE BODIES-THREADED
D1080-HIN, 01:01:16

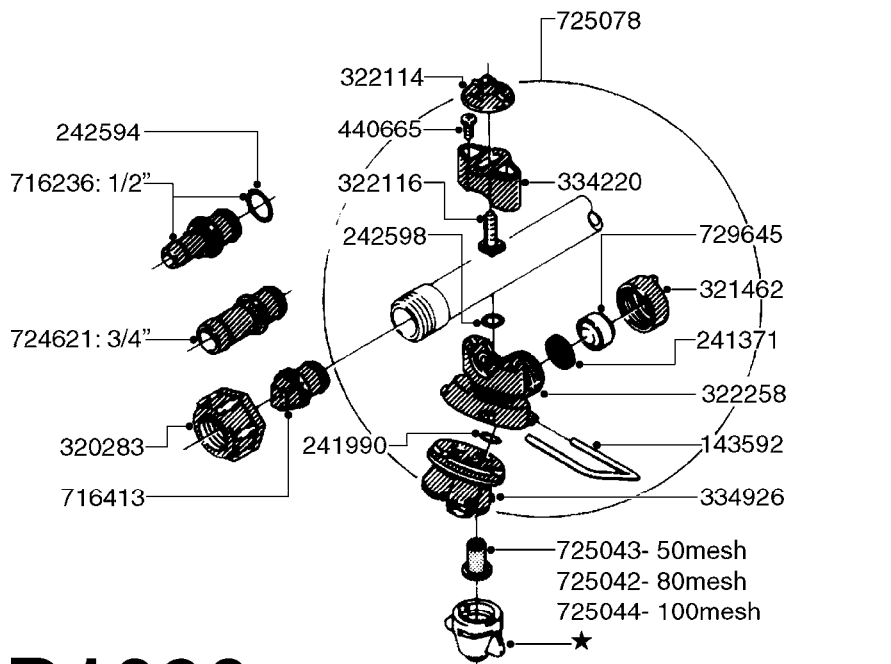
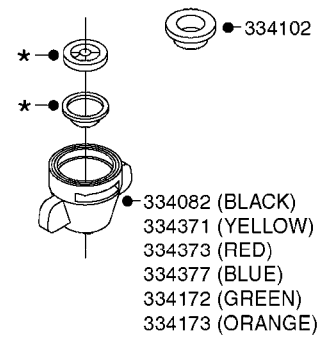
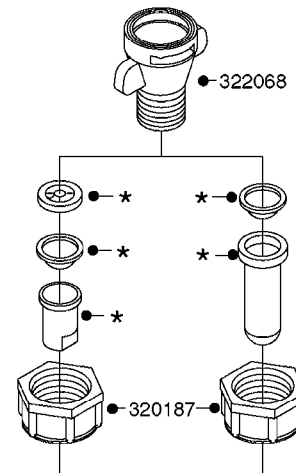
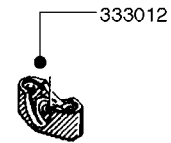
Page 1

Date 07.02.2020 7:50

| parts-n° | order qty | description |
|----------|-----------|--------------------------------|
| 143592 | 1 | LOCK CLAMP FOR TRIPLET |
| 241371 | 1 | DIAPHRAGM F.NO-DRIP,VULC |
| 241990 | 1 | O-RING D9.3 X 2.4 VITON |
| 242598 | 1 | O-RING D7.0 X 2.5 NITRIL |
| 320187 | 1 | FITT.DK CAP 3/8" BSP BLACK |
| 320283 | 1 | FITT.DK NUT 3/4"BSP |
| 321462 | 1 | CAP F.NO-DRIP ASSY. |
| 321801 | 1 | FITT.DK CAP 3/8' BSP GREEN |
| 321812 | 1 | FITT.DK CAP 3/8' BSP RED |
| 322114 | 1 | NUT PLASTIC F.NOZZ.H |
| 322116 | 1 | BOLT PLASTIC F.NOZZ.H. |
| 322258 | 1 | HOUSING F.TRIPLET |
| 322259 | 1 | HOUSING LOWER NOZZLE SNGL 3/8" |
| 333174 | 1 | NOZZLE ALIGNMENT KEY |
| 334220 | 1 | YOKE, UPPER NOZZLE BODY |
| 390639 | 1 | O-RING F.NOZZLE FILTER |
| 440665 | 1 | SCREW M4.2X16 STAINLESS |
| 614366 | 1 | FILTER 50 MESH F.NOZZLE BLUE |
| 614367 | 1 | FILTER 80 MESH F.NOZZLE RED |
| 614368 | 1 | FILTER 100 MESH F.NOZZLE YEL. |
| 636219 | 1 | THREADED TURN PLATE F TRIPLET |
| 716037 | 1 | NOZZLE BODY THREADED COMPLETE |
| 716413 | 1 | FITT.DK PLUG ASSY. F.NOZ TUBE |
| 725042 | 1 | SCREEN 80 MESH W.GASKET, RED |
| 725043 | 1 | SCREEN 50 MESH W.GASKET,BLUE |
| 725044 | 1 | SCREEN 100 MESH W.GASKET,YELLO |
| 725078 | 1 | SNAP-FIT TRIPLET W/O NOZZ HOLD |
| 729645 | 1 | NON-DRIP SPRING ASSY.GREEN 10 |



SINGLE NOZZLE BODY



TRIPLET NOZZLE BODY

D1090

*=REFER TO HARDI NOZZLE CATALOG

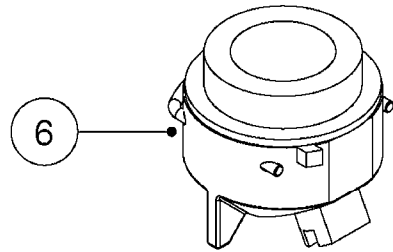
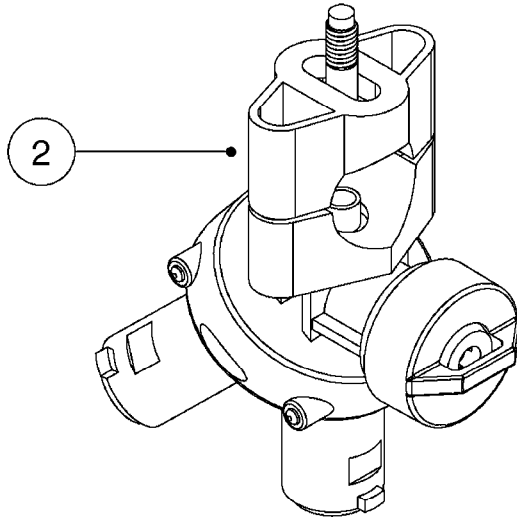


NOZZLE BODIES-SNAP FIT
D1090-HIN, 01:01:16

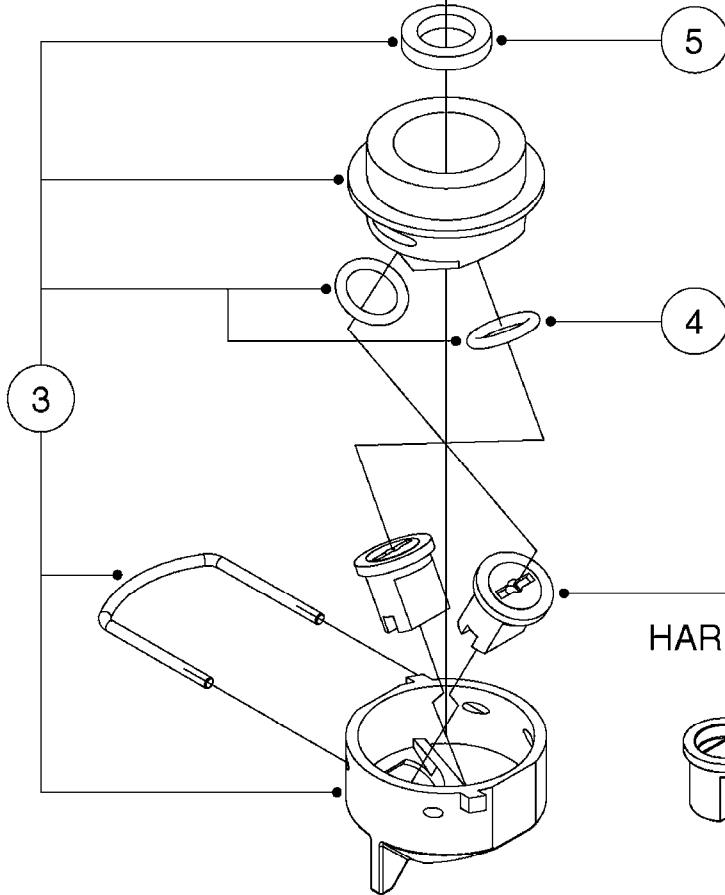
Page 1

Date 07.02.2020 7:50

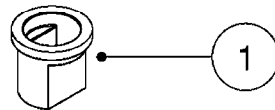
| parts-n° | order qty | description |
|----------|-----------|--------------------------------|
| 143592 | 1 | LOCK CLAMP FOR TRIPLET |
| 241371 | 1 | DIAPHRAGM F.NO-DRIP,VULC |
| 241990 | 1 | O-RING D9.3 X 2.4 VITON |
| 242594 | 1 | O-RING D14 X 1.78 SCH.70-EPDM |
| 242598 | 1 | O-RING D7.0 X 2.5 NITRIL |
| 320187 | 1 | FITT.DK CAP 3/8" BSP BLACK |
| 320283 | 1 | FITT.DK NUT 3/4"BSP |
| 321462 | 1 | CAP F.NO-DRIP ASSY. |
| 322068 | 1 | SNAP-FIT ADAPTER THREAD. HARDI |
| 322114 | 1 | NUT PLASTIC F.NOZZ.H |
| 322116 | 1 | BOLT PLASTIC F.NOZZ.H. |
| 322258 | 1 | HOUSING F.TRIPLET |
| 322260 | 1 | NOZZLE HOLDER LOWER PART |
| 333012 | 1 | NOZZLE HOLD. UPPER PART |
| 334082 | 1 | SNAP-FIT NOZZ.HOLD.CONE BLACK |
| 334102 | 1 | BLANK F.NOZZLE |
| 334172 | 1 | SNAP-FIT NOZZ.HOLD.CONE GREEN |
| 334173 | 1 | SNAP-FIT NOZZ.HOLD.CONE ORANGE |
| 334220 | 1 | YOKE, UPPER NOZZLE BODY |
| 334371 | 1 | SNAP-FIT NOZZLE HOLDER YELLOW |
| 334373 | 1 | SNAP-FIT NOZZLE HOLDER RED |
| 334377 | 1 | SNAP-FIT NOZZLE HOLDER BLUE |
| 334926 | 1 | SNAP-FIT TURN PLATE F TRIPLET |
| 390639 | 1 | O-RING F.NOZZLE FILTER |
| 440665 | 1 | SCREW M4.2X16 STAINLESS |
| 716236 | 1 | FITT.DK HB 1/2" ASSY. F. 3/4" |
| 716413 | 1 | FITT.DK PLUG ASSY. F.NOZ TUBE |
| 724621 | 1 | FITT.DK HB 3/4"ASSY F.3/4" NUT |
| 725042 | 1 | SCREEN 80 MESH W.GASKET, RED |
| 725043 | 1 | SCREEN 50 MESH W.GASKET,BLUE |
| 725044 | 1 | SCREEN 100 MESH W.GASKET,YELLO |
| 725078 | 1 | SNAP-FIT TRIPLET W/O NOZZ HOLD |
| 725079 | 1 | NOZZLE ASSY.SING.SNAP-FIT GREN |
| 729645 | 1 | NON-DRIP SPRING ASSY.GREEN 10 |



COMPLETE ASSEMBLY
WITH NOZZLES



REFER TO
HARDI® NOZZLE CATALOG



D1100



DOUBLE NOZZLE HOLDER-SNAP FIT
D1100-HIN, 01:01:16

Page 1
Date 07.02.2020 7:50

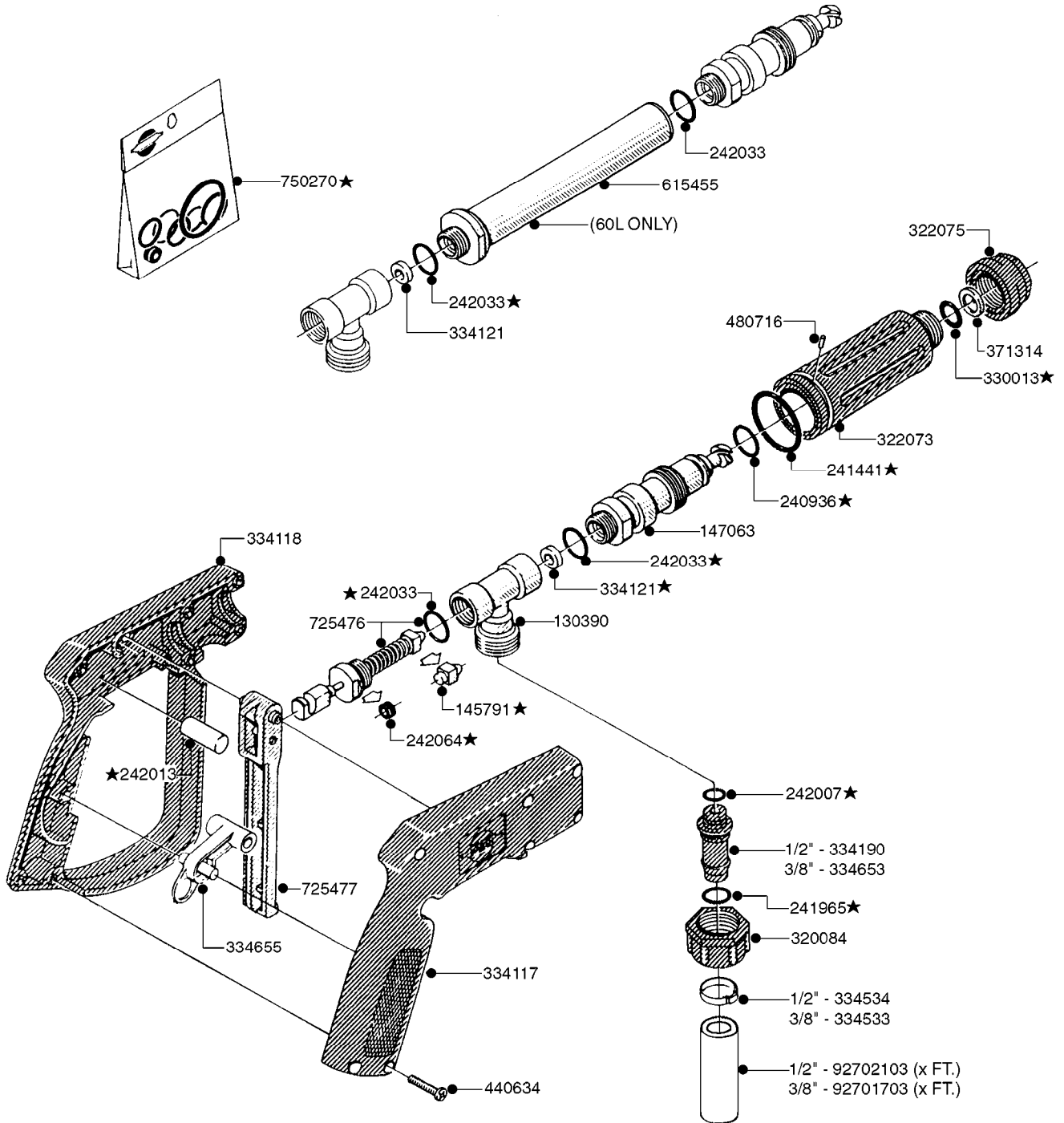
| Pos. | parts-n° | order qty | description |
|------|----------|-----------|--------------------------------|
| 1 | 372140 | 1 | HARDI ISO BLIND CAP |
| 2 | 725078 | 1 | SNAP-FIT TRIPLET W/O NOZZ HOLD |
| 3 | 28032503 | 1 | DOUBLE NOZZLE HOLDER LD ISO |
| 4 | 28040103 | 1 | O-RING F.DOUBLE NOZZLE HOLDER |
| 5 | 28089103 | 1 | GASKET F.DOUBLE NOZZLE HOLDER |
| 6 | 70056803 | 1 | DOUBLE NOZZLE CAP ORANGE LD 01 |
| 6 | 70056903 | 1 | DOUBLE NOZZLE CAP GREEN LD 015 |
| 6 | 70057003 | 1 | DOUBLE NOZZLE CAP YELLOW LD 02 |
| 6 | 70057103 | 1 | DOUBLE NOZZLE CAP LILAC LD 025 |
| 6 | 70057203 | 1 | DOUBLE NOZZLE CAP BLUE LD 03 |
| 6 | 70057303 | 1 | DOUBLE NOZZLE CAP RED LD 04 |
| 6 | 70057403 | 1 | DOUBLE NOZZLE CAP BROWN LD 05 |



BNL 50/80 TANK & FRAME
I0060-HIN, 19:08:19

Page 1
Date 07.02.2020 7:50

| parts-n° | order qty | description |
|----------|-----------|-----------------------------------|
| 145995 | 1 | FITT.DK S-53 FORK |
| 160182 | 1 | FILTER SCREEN |
| 171942 | 1 | BL CROSS BRACE 110 X 5 X 565 |
| 242354 | 1 | O-RING D32.2X3.0 VITON |
| 320084 | 1 | FITT.DK NUT 1/2" BSP |
| 320106 | 1 | FITT.DK CAPNUT 1" BSP |
| 320467 | 1 | FITT.DK BULKHEAD 1"BSP SINGLE |
| 320471 | 1 | FITT.DK NUT 1" BSP JAMB |
| 320784 | 1 | FITT.DK CAP 1-1/2" BSP |
| 320795 | 1 | FITT.DK NUT 1-1/2" BSP JAMB |
| 322103 | 1 | FITT.DK S-53 BULKHEAD |
| 322107 | 1 | FITT.DK S-53 BULKHEAD NUT |
| 330072 | 1 | O-RING D53.5/D45.5X4 |
| 330326 | 1 | O-RING D30/D24X2 F.1"NUT |
| 330352 | 1 | FOAM DROP HOUSING |
| 330363 | 1 | RETAINER FILTER GAUGE |
| 330676 | 1 | FITT.DK HB 3/8" F. 1/2" NUT |
| 332577 | 1 | O-RING D38/D30X4 F.1" PUR. |
| 334260 | 1 | GASKET F. S-53 BULKHEAD |
| 420626 | 1 | BOLT HEX 8.8 DEL M10X20 FT |
| 420884 | 1 | BOLT HEX 8.8 DEL M10X80 FT |
| 430522 | 1 | BOLT HEX 8.8 DEL M12X25 FT |
| 460342 | 1 | NUT HEX M10 DEL DIN934 |
| 460386 | 1 | NUT HEX M12X1.75 |
| 460423 | 1 | NUT HEX M10X1.50 LOCK DIN985A2 SS |
| 471122 | 1 | WASHER, M10, Ø20/10.5X 2.0, SS |
| 610864 | 1 | SHAFT F.3PT HITCH BL53 |
| 610875 | 1 | BRACKET TOP LINK BL25 FRAME |
| 612673 | 1 | FILTER BASKET F. ES30/ES53 |
| 630744 | 1 | FRAME BL RIGHT |
| 630755 | 1 | FRAME BL LEFT |
| 712806 | 1 | TANK LID WITH VENT S226 RED |
| 725434 | 1 | MT.BKT./14'BOOM/BNL50 |
| 726265 | 1 | TANK 53 GAL. F/BNL |
| 726266 | 1 | TANK W/O FRAME BL80 |
| 726552 | 1 | FIT.DK S-53X90 1/2" BSP,O-RING |
| 726559 | 1 | FITT DK. S-53 HB 1" W/O-RING |
| 833772 | 1 | SUB FRAME FOR BNL53 |
| 28030003 | 1 | CLAMP HOSE GEAR P1" 6716 |
| 92702403 | 1 | HOSE PVC SUCT GRAY 1" |



COMPLETE ASSEMBLY:
843197 - 60L
843196 - 60S

COMPLETE ASSEMBLIES
WHOLEGOODS ITEMS

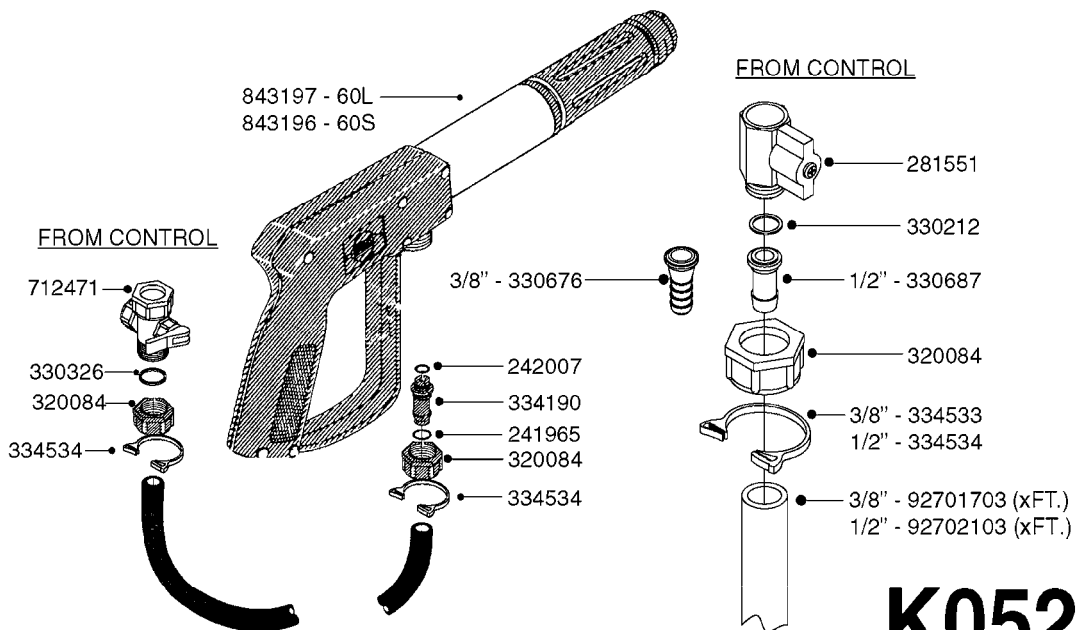
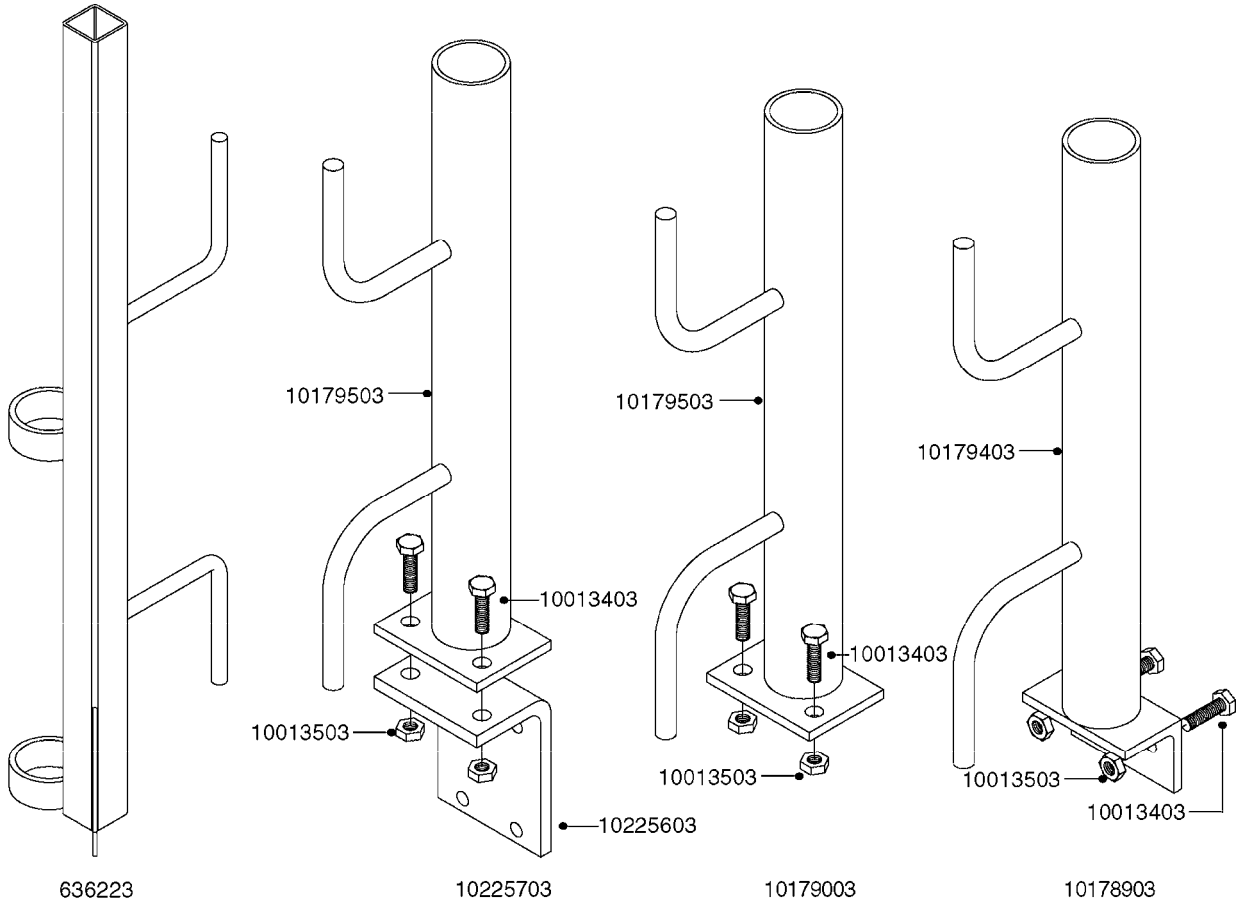
K0480



HANDGUN TYPE 60S/60L POST 95
K0480-HIN, 01:01:16

Page 1
Date 07.02.2020 7:50

| parts-n° | order qty | description |
|----------|-----------|--------------------------------|
| 130390 | 1 | TEE 3/8'X 1/2' BSP F.TYPE 60S |
| 145791 | 1 | CONE FOR ON/OFF |
| 147063 | 1 | SWIRL F.SPRAY GUN TYPE 60 |
| 240936 | 1 | O-RING D13.3X2.4 NITRIL |
| 241441 | 1 | O-RING D29.3X3 |
| 241965 | 1 | O-RING Ø12.1 X 1.6 NITRILE |
| 242007 | 1 | O-RING Ø9.1 X 1.6 NITRILE |
| 242013 | 1 | SPRING RUBBER F/TRIGGER |
| 242033 | 1 | O-RING Ø14.1 X 1.6 NITRILE |
| 242064 | 1 | SLEEVE RUBBER 3X8X4MM |
| 320084 | 1 | FITT.DK NUT 1/2" BSP |
| 322073 | 1 | HOUSING F.SWIRL TYPE 60S H.G. |
| 322075 | 1 | HOUSING F. NOZZLE |
| 330013 | 1 | O-RING 2.5 X 10 PUR |
| 334117 | 1 | HANDLE PIECE RIGHT F.60S/60L |
| 334118 | 1 | HANDLE PIECE LEFT F.60S/60L |
| 334121 | 1 | SEAT FOR ON-OFF TYPE |
| 334190 | 1 | FITT.DK HB 1/2' F. PISTOL 60S |
| 334533 | 1 | CLAMP HOSE PLASTIC 3/8" |
| 334534 | 1 | CLAMP HOSE PLASTIC 1/2" |
| 334653 | 1 | FITT.DK HB 3/8' F.HANDGUN |
| 334655 | 1 | TRIGGER SAFETY F.60S/60L GUN |
| 371314 | 1 | NOZZLE CERAMIC 1099-20 |
| 440634 | 1 | SCREW 5/8" |
| 480716 | 1 | PIN D3X6 STAINLESS |
| 615455 | 1 | TUBE F.LANCE TYPE 60L |
| 725476 | 1 | SPINDLE |
| 725477 | 1 | TRIGGER |
| 750270 | 1 | GASKET KIT F.SPRAY GUN |
| 843196 | 1 | SPRAY GUN KIT TYPE 60 SHORT |
| 843197 | 1 | HANDGUN KIT TYPE 60 LONG |
| 92701703 | 1 | HOSE R X3/8" X300PSI WP X0012" |
| 92702103 | 1 | HOSE R X1/2" X300PSI WP X0012" |



K0520



HOSE WRAPS
K0520-HIN, 05:12:19

Page 1
Date 07.02.2020 7:50

| parts-n° | order qty | description |
|----------|-----------|--------------------------------|
| 241965 | 1 | O-RING Ø12.1 X 1.6 NITRILE |
| 242007 | 1 | O-RING Ø9.1 X 1.6 NITRILE |
| 281551 | 1 | BALL VALVE 1/2" |
| 320084 | 1 | FITT.DK NUT 1/2" BSP |
| 330212 | 1 | O-RING D19/D14X2.4 F.1/2"NUT |
| 330326 | 1 | O-RING D30/D24X2 F.1"NUT |
| 330676 | 1 | FITT.DK HB 3/8" F. 1/2" NUT |
| 330687 | 1 | FITT.DK HB 1/2" F. 1/2" NUT |
| 334190 | 1 | FITT.DK HB 1/2' F. PISTOL 60S |
| 334533 | 1 | CLAMP HOSE PLASTIC 3/8" |
| 334534 | 1 | CLAMP HOSE PLASTIC 1/2" |
| 636223 | 1 | POST 12 VOLT TR30 |
| 712471 | 1 | AGITATION VALVE ASSY. ON/OFF |
| 843196 | 1 | SPRAY GUN KIT TYPE 60 SHORT |
| 843197 | 1 | HANDGUN KIT TYPE 60 LONG |
| 10013403 | 1 | BOLT HEX 3/8-16X1 1/4 HCS Z5 |
| 10013503 | 1 | NUT HEX NC 3/8" |
| 10178903 | 1 | WRAP HOSE SIDE MOUNT PLATE |
| 10179003 | 1 | WRAP HOSE BOTTOM PLATE MOUNT |
| 10179403 | 1 | WRAP WELDMENT FOR HI101789 |
| 10179503 | 1 | WRAP WELDMENT FOR HI101790 |
| 10225603 | 1 | BKT.FOR HOSE WRAP MOUNT NL NK |
| 10225703 | 1 | WRAP HOSE BDL.BOTTOM PLATE |
| 92701703 | 1 | HOSE R X3/8" X300PSI WP X0012" |
| 92702103 | 1 | HOSE R X1/2" X300PSI WP X0012" |