

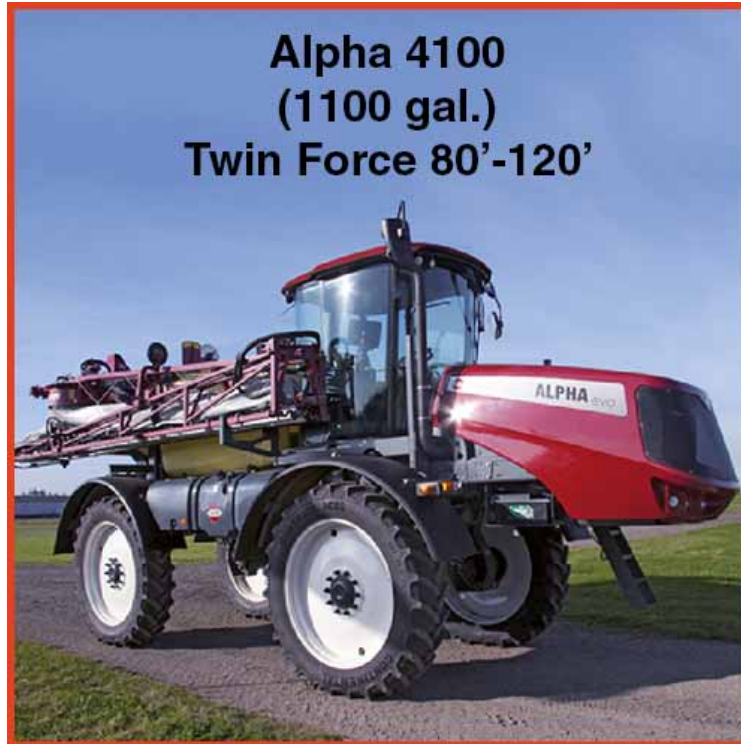


Agoparts: www.HARDI-INTERNATIONAL.com

ALPHA TWIN FORCE HAZ

Country-Code 11

Date 07.02.2020 7:58





main group	page-n°	date	description
Pumps	A0330-HIN	01:01:16	PUMP - 463 W/ MOUNTING BASE
	A0350-HIN	23:04:19	PUMP - 464 540/1000 RPM
Controls, Filters, Valves	B0430-HIN	12:09:19	MANIFOLD - S67 VALVE
	B0530-HIN	28:01:19	MANIFOLD - S93 VALVE
	B0550-HIN	28:01:19	MANIFOLD - S93 VALVE (07)
	B0640-HIN	15:10:19	CHECK VALVES - S67 (2011)
	B0720-HIN	01:01:16	EASY CLEAN FILTER
	B0730-HIN	01:01:16	PRESSURE FILTER - CYCLONE
	B0790-HIN	30:08:16	S93 EJECTOR F.TURBOFILLER
	B0800-HIN	25:04:17	SPRAY CIRCUIT HC9500 DF4 ALPHA
	B420-HIA	29:07:15	S67 VALVE
	B422-HIA	19:12:12	VALVE S67 2-WAY (11)
	B423-HIA	07:06:17	S67 VALVE (11)
	B424-HIA	29:09:16	AGITATION VALVE DF4
	B429-HIA	25:08:16	DF4 VALVE SYNTAL/CERAMIC
	B430-HIA	10:07:15	HANDLE/INDICATOR F.SMART VALVE
	E020B	06:07:15	NOZZLES
	E057A	16:02:15	EFC2500 VALVES
	E058A	25:05:11	3 WAY ELEC.VALVE AGIT.-PRESSURE DILUTION
	E061A	25:05:11	3 WAY VALVE SUCTION DILUTION-FILLING
	E063A	08:06:12	2" SUCTION NO-RETURN VALVE
	E085A	04:06:15	MAN.& ELEC. S93 SMART VALVES
E086A	05:06:15	S93 3 WAY VALVE	
E089A	14:01:16	CHEM.FILLER 35L HC9500 ALPHA	
Hydraulics	C0010-HIN	01:01:16	HYDRAULICS - CYLINDERS
	C0020-HIN	01:01:16	HYDRAULICS - CYLINDERS
	C0450-HIN	30:03:16	HYD TWIN SOLENOID VALVE
	C0500-HIN	30:03:16	HYD TWIN FORCE FAN HAZ
	C0820-HIN	14:05:19	HYD. PARALIFT HAZ ALPHA
	C0830-HIN	01:05:17	HYD.STEERING ALPHA ECODRIVE
	C0910-HIN	13:05:19	HYDRAULIC SOLENOIDS
	C0920-HIN	05:06:19	HYD. DAMPER, LOCKING CYLINDER
	C323-HIA	03:05:10	DAH" HAZ '03
	C326-HIA	14:12:11	HAZ 120'
	F171A-1	14:05:14	HYDRAULIC MOTOR VALVES
	F171A-2	18:12:15	PRIMARY HYD.PUMP 115 CC H1
	F172A-1	19:05:14	SECONDARY HYD.PUMP 115 CC H1
	F172A-2	18:12:15	SECONDARY HYD PUMP 115 CC H1
	F175A	01:07:15	TANK PUMP ALPHA ECO 25 MPH HAZ
	F175B	17:03:16	TANK PUMP ALPHA ECO 25 MPH HAZ
	F176A	08:10:14	HYD. SOLENOID VALVES ALPHA HAZ
	F177A	02:03:15	HYD.PUMP H1 ECODRIVE 25 MPH
	F178A	02:03:15	HYD.MANIFOLD DIFF.LOCK
	F179A	07:04:15	FRONT HYD.TRANSMISSION ECODRIVE 25 MPH
F180A	25:01:16	REAR HYD.TRANSMISSION ECODRIVE 25 MPH	
F182A	20:01:15	HYD.STEERING PVG32 ECODRIVE 25 MPH	
F183A	17:02:15	HYD.BRAKING ECODRIVE	
F184A	16:02:17	HYD.SPRAYING ECODRIVE	
F185A	17:02:15	HYD.ENGINE HOOD ECODRIVE	
F186A	31:08:15	HYD.BLOCKS ALPHA ECODRIVE 25 MPH	
Booms, Nozzle Bodies & Tubes	B096A	25:01:16	ACCESSORIES 32-36 HAZ



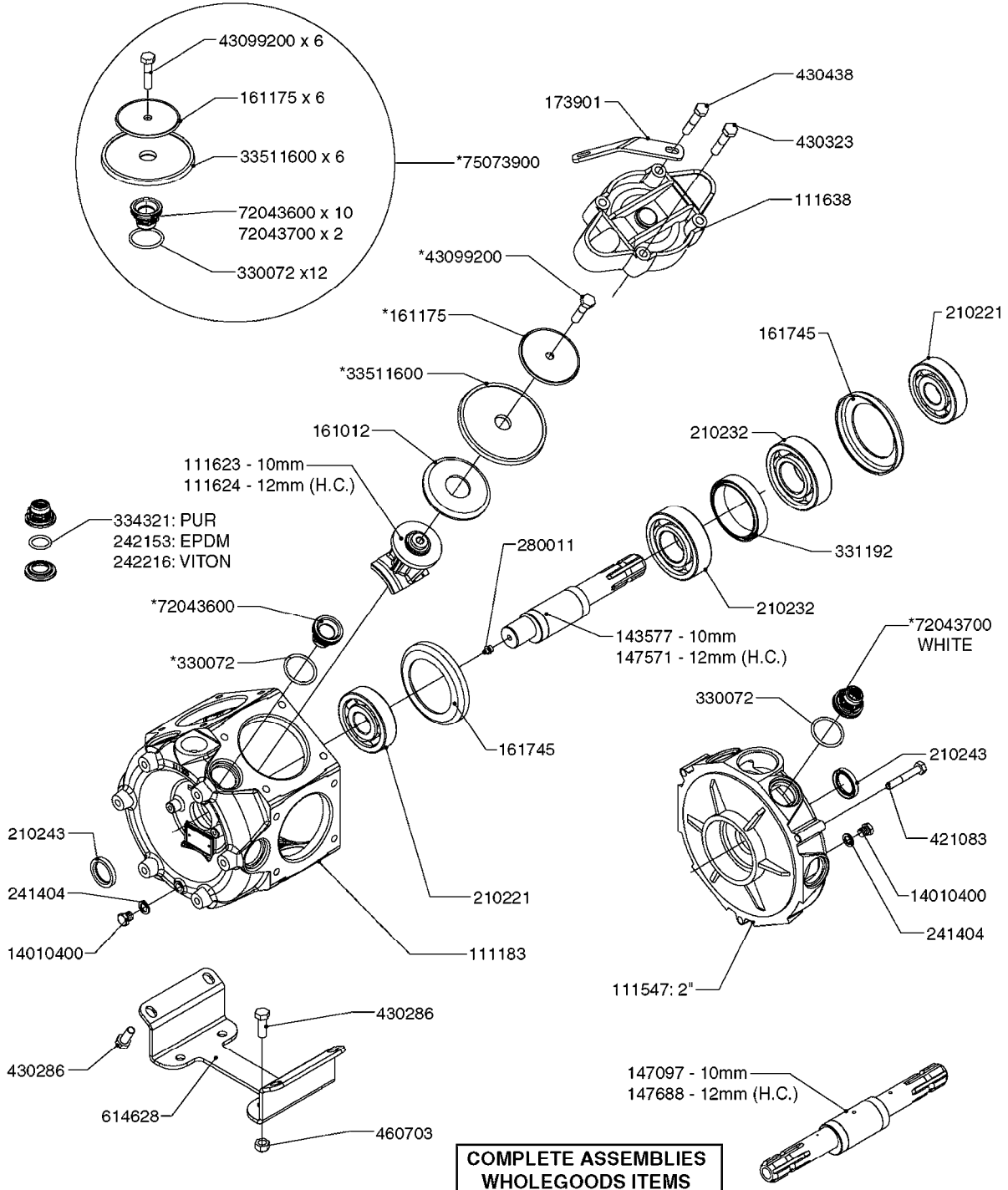
main group	page-n°	date	description		
Tank and Frame: Field Sprayers	B100A	06:01:16	PARALIFT W/O MECH.LOCK		
	B105A	21:01:16	TRANSPORT HAZ ALPHA		
	D0660-HIN	01:01:16	BOOM-TF INNER HAZ-WC 60'-100'		
	D0680-HIN	01:01:16	BOOM-TF OUTER HAZ-WC 60'-100'		
	D0740-HIN	05:06:19	WIDE CENTER FRAME-FORCE/TF		
	D0880-HIN	05:01:17	TRANSPORT BKT HAZ ALPHA RH		
	D0890-HIN	07:02:17	ALPHA EVO LIFT ADAPTER 80-100' HAZ		
	D1000-HIN	01:01:16	BOOM-NOZZLES 110° FLAT FAN ISO		
	D1010-HIN	01:01:16	BOOM-NOZZLES 110° LOWDRIFT ISO		
	D1020-HIN	01:01:16	BOOM-NOZZLES 80° FLAT FAN ISO		
	D1030-HIN	28:11:17	BOOM-NOZZLE CAPS AND FILTERS		
	D1040-HIN	01:01:16	BOOM-NOZZLES INJET		
	D1050-HIN	01:01:16	BOOM-NOZZLES MINIDRIFT		
	D1060-HIN	01:01:16	BOOM-NOZZLES QUINTASTREAM		
	D1100-HIN	01:01:16	DOUBLE NOZZLE HOLDER-SNAP FIT		
	D1120-HIN	01:01:16	NZZL TUBES&FITTINGS-STNLS STEEL		
	D1200-HIN	05:06:19	HAZ 120' TRAPEZE CENTER		
	D1210-HIN	31:01:18	HAZ 3.1 120' TF BOOM 2 FOLD INNER		
	D1220-HIN	31:01:18	HAZ 3.1 120' TF BOOM 2 FOLD OUTER		
	D1230-HIN	01:02:18	ALPHA EVO LIFT ADAPTER 120' HAZ 3.1		
	D914-HIA	01:12:03	FEED PIPES HAZ 4 SECTION		
	D915-HIA	01:12:03	FEED PIPES HAZ 5-7 SECTION		
	D931-HIA	25:11:03	FEED PIPES HAZ 7-9 SECTION		
	Special equipment, Extras	A039A	19:03:15	TARPAULIN ALPHA	
		A061A	28:07:14	TIE RODS AND TIE ROD ENDS ALPHA	
		A081A	08:01:16	TANKS ALPHA HC6500/9500	
		A106A	16:02:17	FRONT AXLE, MTA, SPRING SUSP, ALPHA EVO	
		A107A	23:03:15	REAR AXLE, MTA, SPRING SUSP, ALPHA EVO	
		A108A	16:07:15	MUDGUARD ALPHA EVO	
		A121A	24:06:15	TANKS ALPHA	
		A129A	14:02:17	NARROW FOLD PLATFORM (FRONT VERSION)	
		A130A	21:01:16	NARROW FOLD PLATFORM (REAR VERSION)	
		A131A	06:01:15	WIDE FIXED PLATFORM ALPHA	
		A132A	12:01:15	ENGINE HOOD, ALPHA ECODRIVE	
		E1230-HIN	09:01:17	FRAME - ALPHA EVO ECODRIVE	
		E1240-HIN	09:01:17	FRAME - RIVETED ALPHA EVO ECODRIVE	
		E1250-HIN	15:05:17	RINSE/CLEAN WATER TANKS - ALPHA	
		E1270-HIN	06:02:17	WHEELS FOR ALPHA	
		Fittings	K0152-HIN	04:01:18	DECALS - ALPHA
			K0785-HIN	16:01:18	SMV/SPEED SIGNS & BRACKETS
			L022A	18:04:06	TOOLBOX ALPHA PLUS
	L026A		02:04:15	ELECTRIC PNEUMATIC CIRCUIT ALPHA	
	L038A		10:09:13	PAINT	
	L047A		25:08:16	FUEL TANK ALPHA EVO T3B	
	L048A		03:03:16	PNEUMATIC COMPONENTS	
	I040A		20:06:12	TANK RINSE NOZZLE (SHORT)	
	I067A	16:04:15	AUTO REEL ALPHA EVO		
	L0010-HIN	01:01:16	FITTINGS-CAP NUTS & HOSE BARBS		
L0020-HIN	01:01:16	FITTINGS-T-PIECES,CAPS & ELBOWS			
L0030-HIN	01:01:16	FITTINGS - HEXAGON NIPPLES			
L0040-HIN	01:01:16	FITTINGS - NIPPLES & ELBOWS			
L0050-HIN	01:01:16	FITTINGS - HOSE CONNECTORS			
L0060-HIN	01:01:16	FITTINGS - BULKHEAD			



main group	page-n°	date	description
Electrical Equipment	L0070-HIN	13:09:17	FITTINGS - S-40
	L0080-HIN	12:09:17	FITTINGS - S-53
	L0090-HIN	01:01:16	FITTINGS - S-56 & S-61
	L0100-HIN	21:06:18	FITTINGS - S-67
	L0110-HIN	13:09:17	FITTINGS - S-93
	L0120-HIN	17:10:19	BULK HOSE
	L0130-HIN	16:10:19	HOSE CLAMPS
	L0140-HIN	01:01:16	FITTINGS - T25
	G037A	22:02:13	PUMP SPEED SENSOR ALPHA
	G056A	15:03:17	OUTSIDE ENGINE & PUMP CONTROL
	G057A	22:01:15	DANFOSS 4WS HARNESS, ALPHA EVO
	G059A	28:01:15	MISC.ELECTRICAL CABLES ENGINE AREA
	G062A	17:09:18	OFF-ROAD ALPHA EVO
	G065A	02:02:15	PARADYME ALPHA EVO
Cabin	G069A	13:09:16	AUTO-HEIGHT UC5 HARDI
	G083A	17:11:14	LED BOOM LIGHT
	G084A	19:01:15	CHASSIS HARNESS ALPHA EVO ECODRIVE
	G085A	27:01:15	STAGE 3B ENGINE HARNESS, ALPHA EVO
	G086A	27:01:15	POWER HARNESS ALPHA-VTK EVO ECODRIVE
	G087A	28:01:15	HYDRAULIC HARNESS ALPHA-VARITRACK ECODRIVE
	G088A	02:04:15	AUTOSTEER READY HARNESS ALPHA EVO
	G089A	11:06:15	SPRAYER ELEC.CIRCUIT HC9500 ALPHA EVO ECODRIVE
	G090A	14:09:16	JOB COM HC9500 ALPHA EVO ECODRIVE
	M0120-HIN	01:01:16	TRANSDUCERS AND ACCESSORIES
	M0380-HIN	30:04:19	NORAC VAR. RATE VALVE UC4/UC5
	M310-HIA	30:07:07	VALVE S93 WITH MOTOR
	M316-HIA	16:07:12	FLUSH VALVES CM 11i
	M317-HIA	17:07:12	DIST. VALVE S67
M318-HIA	07:01:13	CM11 MAIN SPRAY VALVE S67	
Engine	J013A-1	05:05:15	CAB EVO WIPER
	J013A-2	24:09:12	CAB EVO ROOF
	J013A-3	24:09:12	CAB EVO WINDOWS-WINDSHIELD
	J013A-4	27:07:15	CAB EVO DOOR
	J013A-5	14:10:15	CAB EVO TRIM
	J013A-6	12:09:16	CAB EVO MIRRORS
	J013A-7	11:02:15	CAB EVO STEERING COLUMN
	J013A-8	19:11:15	CAB EVO A/C - HEATING
	J013A-9	20:03:17	CAB EVO ELECTRIC
	J013A-11	24:03:15	EVO CAB DASHBOARD EASY/ECODRIVE
	J013A-12	28:09:15	CAB EVO ECODRIVE COCKPIT
	J014A	31:07:13	A/C CIRCUIT, T3A-T4-T3B, ALPHA EVO
	J018A-1	18:12:14	SEAT MSG95AL/731 12V MAX PRO
	J018A-2	25:05:16	SEAT MSG95AL/731 12V MAX PRO Avec ceinture de sécurité/xith seat belt
H053A	20:02:15	DRIVE PUMP 464 ALPHA-VARITRACK	
H069A	22:07:15	ENGINE TCD6.1 STAGE 3B ALPHA EVO	
H070A	16:01:15	EXHAUST SYSTEM ALPHA-VTK ECODRIVE	



PUMP REPAIR KIT



**COMPLETE ASSEMBLIES
WHOLEGOODS ITEMS**

COMPLETE PUMPS

- 821587 - 463/10 2" W/THROUGH SHAFT (540 RPM)
- 82166300 - 463/12 2" (540 RPM H.C. INLINE PORTS)
- 463/12 2" (540 RPM H.C. OFFSET PORTS) REPLACED BY 82168700 (PAGE A0350)

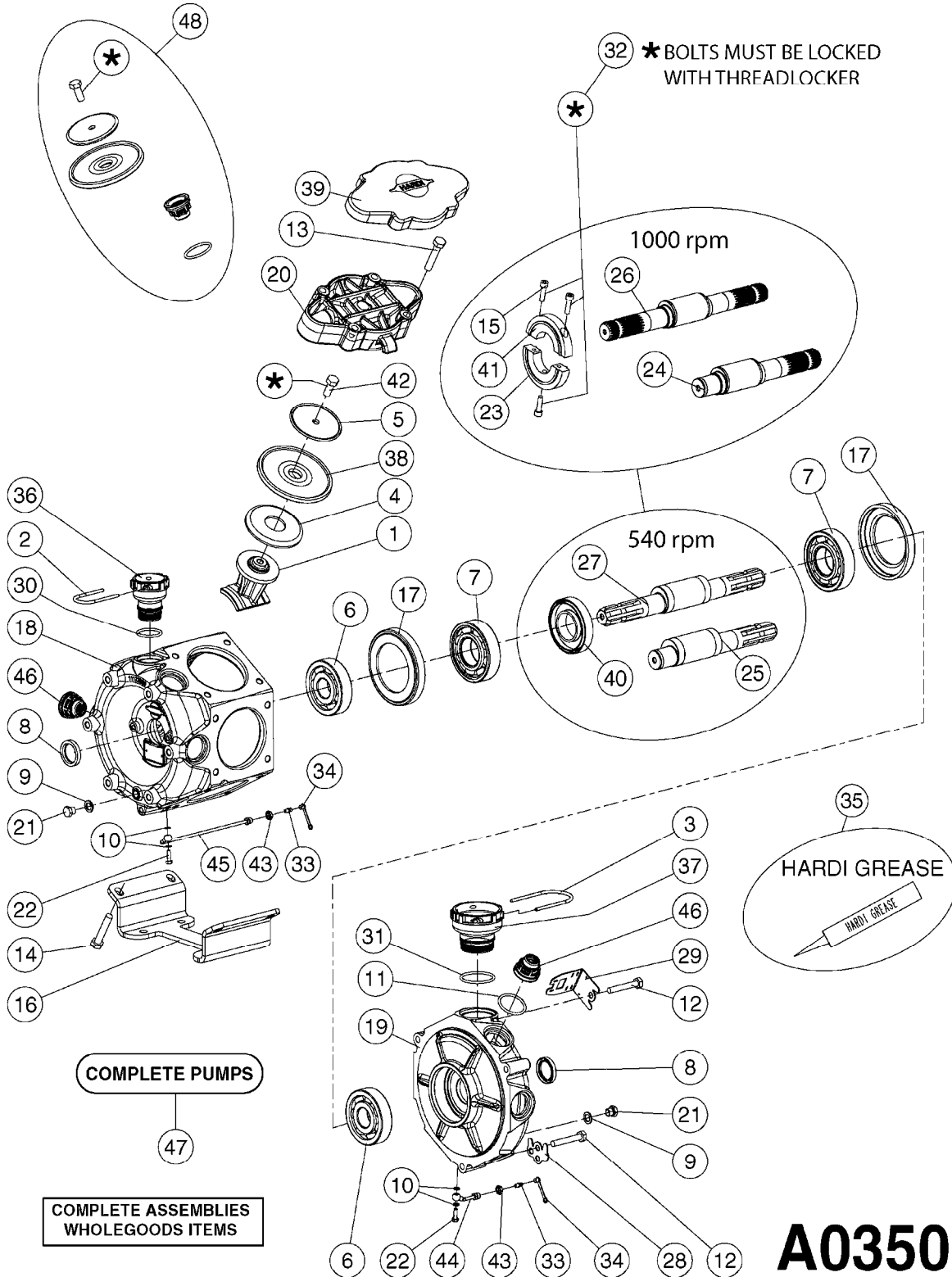
A0330



PUMP - 463 W/ MOUNTING BASE
A0330-HIN, 01:01:16

Page 1
Date 07.02.2020 7:59

parts-n°	order qty	description
111183	1	PUMP CASTING 460-463 (PAINTED)
111547	1	PUMP FRONT 460-463-2' (PAINT)
111623	1	CONNECTING ROD 463/10MM
111624	1	CONNECTING ROD 463/12MM
111638	1	VALVE COVER 463 HC+1000 VERS.
143577	1	CRANK SHAFT F.363/462/463-10mm
147097	1	CRANK SHAFT 363-463/10 THROUGH
147571	1	CRANK SHAFT F.463-12mm
147688	1	CRANK SHAFT 462/12 THROUGH
161012	1	DIAPHRAGM BACKING DISC F. 463
161175	1	DIAPHRAGM DISC 463/464 PUMP
161745	1	METAL SPACER F.363/463
173901	1	LIFT STRAP F.PUMP 463
210221	1	BEARING BALL 6407
210232	1	BEARING BALL 6310
210243	1	SEAL OIL 35 X 47 X 7
241404	1	DOWTY SEAL 1/4"
242153	1	O-RING D26X4 EPDM
242216	1	O-RING VITON F/1202/1302/462
280011	1	GREASE NIPPLE 1/8' SAE H TR
330072	1	O-RING D53.5/D45.5X4
331192	1	SPACER, MODEL 361/363
334321	1	O-RING POLY. 34.0x26.0x4.0
421083	1	BOLT HEX 8.8 DEL M10X65
430286	1	BOLT HEX 8.8 DEL M12X30 FT
430323	1	BOLT HEX 8.8 DEL M12X60
430438	1	BOLT HEX 8.8 DEL M12X65
460703	1	NUT HEX M12X1.75 LOCK DIN985A2 SS
614628	1	FOOT F. 46X PUMP, RED
821587	1	PUMP 463/10 THROUGH SHAFT TWNF
14010400	1	PLUG 1/4" BSP
33511600	1	DIAPHRAGM PUMP 463/464 PUMP PUR
43099200	1	BOLT HEX SS M12 X 30 DIN933 A4
72043600	1	VALVE FOR 462/463
72043700	1	VALVE FOR 462/463 W.VENT HOLE
75073900	1	PUMP KIT 460/463 "06"
82166300	1	PUMP 464-12-MED-2-540
82168700	1	PUMP 464-12 540 OFFSET PORTS





PUMP - 464 540/1000 RPM
A0350-HIN, 23:04:19

Page 1
Date 07.02.2020 7:59

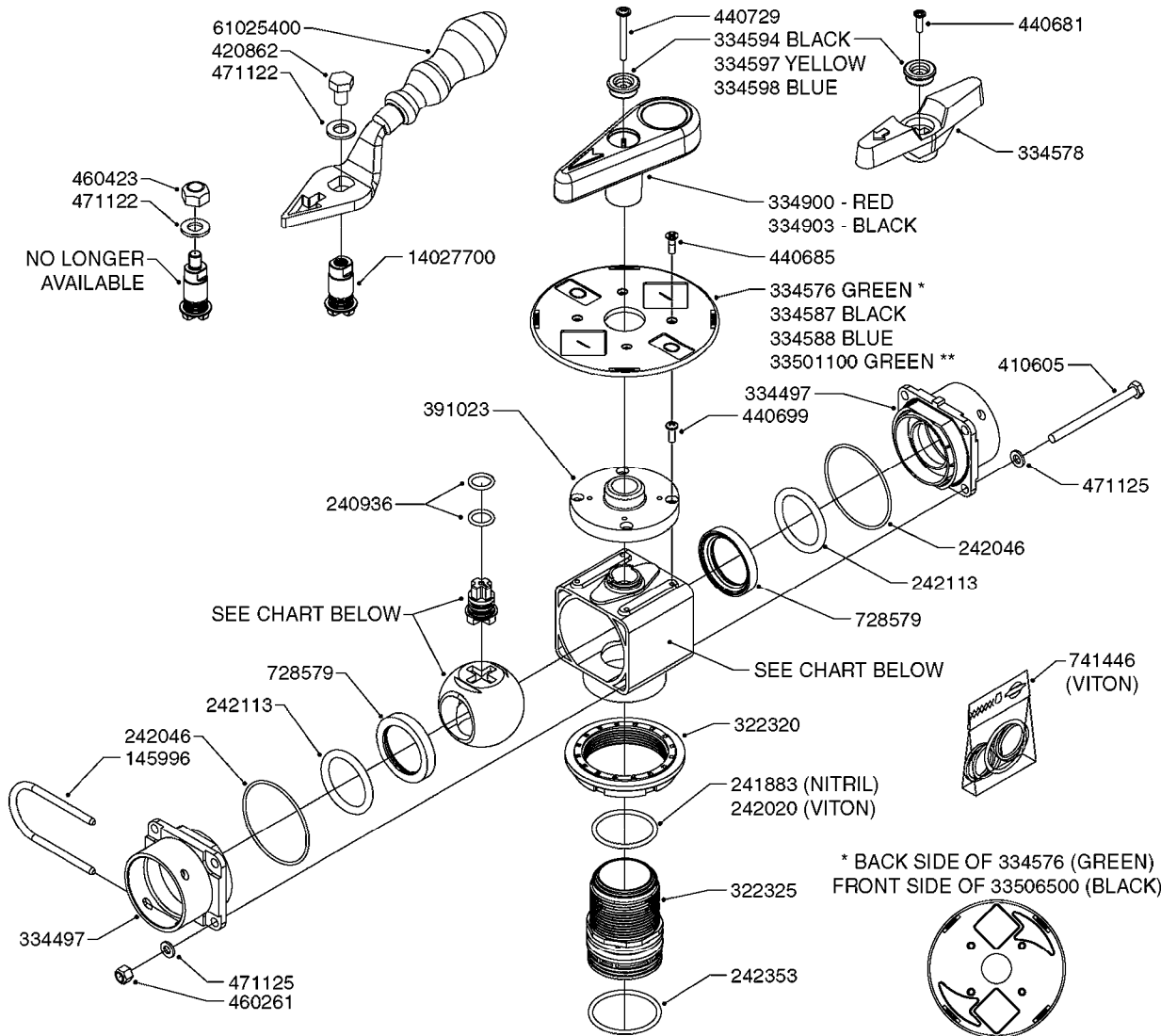
Pos.	parts-n°	order qty	description
1	111622	1	CONNECTING ROD 463/5.5MM
1	111623	1	CONNECTING ROD 463/10MM
1	111624	1	CONNECTING ROD 463/12MM
1	111645	1	CONNECTING ROD 463/6.5MM
2	145996	1	FITT.DK S-67 FORK
3	145997	1	FITT.DK S-93 FORK
4	161012	1	DIAPHRAGM BACKING DISC F. 463
5	161175	1	DIAPHRAGM DISC 463/464 PUMP
6	210221	1	BEARING BALL 6407
7	210232	1	BEARING BALL 6310
8	210243	1	SEAL OIL 35 X 47 X 7
9	241404	1	DOWTY SEAL 1/4"
10	242374	1	WASHER Ø10/Ø6X1 COPPER
11	330072	1	O-RING D53.5/D45.5X4
12	421072	1	BOLT HEX 8.8 RAW M10X65
13	430312	1	BOLT HEX 8.8 M12X60
14	430438	1	BOLT HEX 8.8 DEL M12X65
15	450995	1	BOLT ALLEN M8X30 DIN 912 RAW
16	614628	1	FOOT F. 46X PUMP, RED
16	16410800	1	PUMP BASE 463/464 BLACK
17	11171900	1	CONROD RING 364/464 MACHINED
18	11172200	1	PUMP HOUSE 464 MACHINED 5/4" BSP RED
19	11172600	1	FRONTPART 464 MACHINED 2" BSP RED
20	11173000	1	VALVE COVER.463/464 MACHINED RED
21	14010400	1	PLUG 1/4" BSP
22	14120400	1	BANJOBOLT M6 X 19
23	14120700	1	COUNTERWEIGHT 364/464-1000
24	14137300	1	CRANKSHAFT 364/464-5.5 1000
24	14137400	1	CRANKSHAFT 364/464-6.5 1000
25	14137600	1	CRANKSHAFT 364/464-10
25	14137700	1	CRANKSHAFT 464-12
26	14137900	1	CRANKSHAFT 364/464-5.5 GG 1000
26	14138000	1	CRANKSHAFT 364/464-6.5 GG 1000
27	14138200	1	CRANKSHAFT 364/464-10 GG
27	14138300	1	CRANKSHAFT 464-12 GG
28	16383000	1	GREASE NIPPLE PLATE 464
29	16390600	1	BRACKET FOR RPM SENSOR
30	24266600	1	O-RING D 38,0 X 4,0 70SH.NITR
31	24266800	1	O-RING D 54,0 X 4,0 70SH.NITR
32	28045503	1	LOCTITE 262 .5ML (.017oz.)
33	28163300	1	GREASE NIPPLE H1 M6X1 DIN 7412
34	28163400	1	CAP F. GREASENIPPLE YELLOW M6X1
35	28164600	1	HARDI PUMP GREASE S3 V550L 1
36	32242200	1	FITTING S67 5/4" KON. RG 2014
37	32242400	1	FITTING S93 2" KON. RG 2014
38	33511600	1	DIAPHRAGM PUMP 463/464 PUMP PUR
39	33524000	1	COVER PLASTIC 464 PUMP
40	33527200	1	GREASE SPLIT 364/464
41	39136200	1	HALFPART 364/464-1000
42	43099200	1	BOLT HEX SS M12 X 30 DIN933 A4
43	46134000	1	NUT HEX M10x1 H=2.3 NV=14 ELZIN
44	61097000	1	BANJOTUBE SHORT 464 COMPL.
45	61097100	1	BANJOTUBE LONG 464 COMPL.
46	72043600	1	VALVE FOR 462/463
47	72993500	1	PUMP 464-12-540, CM
47	72993600	1	PUMP 464-6.5 MED-2-1000
47	82168100	1	PUMP 464-5.5 THROUGH SHAFT 1000RPM
47	82168200	1	PUMP 464-10 2" SUCT. 540RPM
47	82168500	1	PUMP 464-12 2" SUCT. 540 RPM
47	82168700	1	PUMP 464-12 540 OFFSET PORTS
47	82168800	1	PUMP 464 6.5 1000 OFFSET PORTS



PUMP - 464 540/1000 RPM
A0350-HIN, 23:04:19

Page 2
Date 07.02.2020 7:59

Pos.	parts-n°	order qty	description
47	82169000	1	PUMP 464-10-MOD-2-540
47	82169400	1	PUMP 464-6.5-STD-2-1000 FK
48	75586000	1	PUMP KIT 464



					-	
728391	334594	334576	390204	390623	-	334600
728393	334598	334588	390238	390251	-	334600
728945	334597	-	390262	390777	-	334600
729796	334594	334587	390204	390623	-	334600
840062	334594	334576	391180	390623	-	334600
841062	334594	334576	390204	390623	-	334600
72113700	334594	334576	391180	390623	-	334600
72172100	-	33501100	391039	390623	391023	14027700
72172200	-	-	391039	390623	-	334600
72283600	334594	33506500	391180	390623	391023	334600
72292500	-	-	391180	390623	-	14027700
72538000	-	-	391039	390623	391023	14075700
72691600	334594	334587	390262	390623	-	334600

B0430



MANIFOLD - S67 VALVE
B0430-HIN, 12:09:19

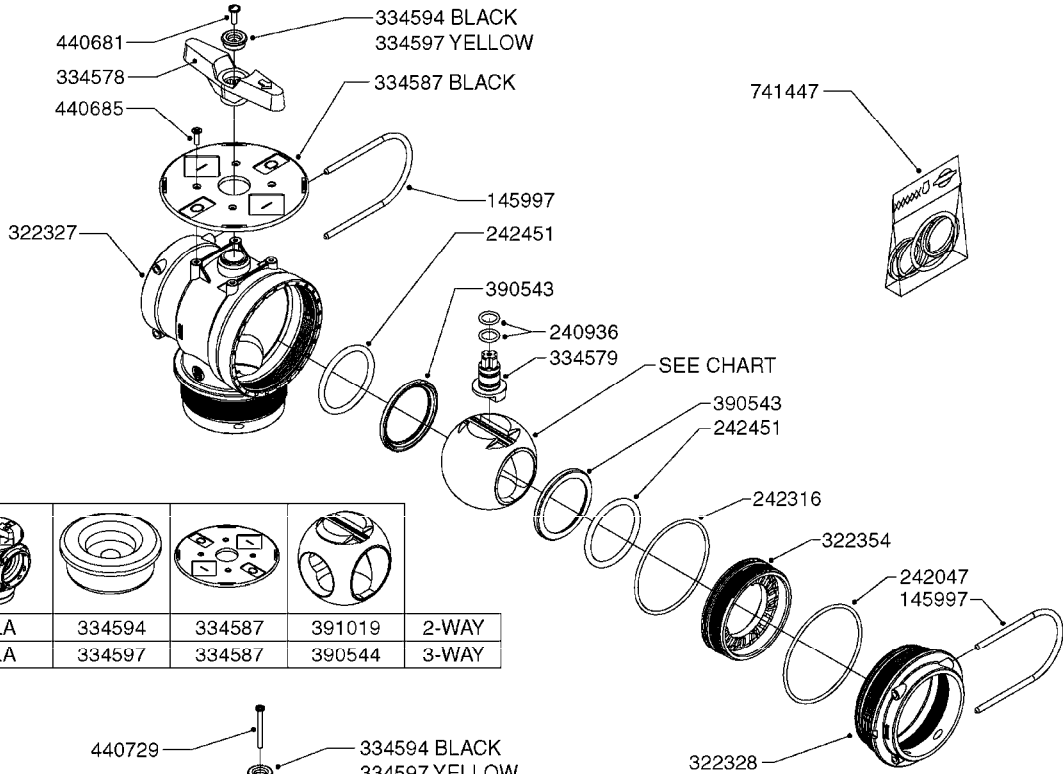
Page 1
Date 07.02.2020 7:59

parts-n°	order qty	description
145996	1	FITT.DK S-67 FORK
240936	1	O-RING D13.3X2.4 NITRIL
241883	1	O-RING 3 X 39.2 NITRIL
242020	1	O-RING 39.2 X 3 VITON
242046	1	O-RING D60X2
242113	1	O-RING D37.5X5.3 VITON
242353	1	O-RING 3 X 44.2 VITON
322320	1	NUT F.3 WAY VALVE S56
322325	1	FITT.DK S-67 X 1-1/2"BSP LONG
334497	1	END COVER 3 WAY VALVE S-67
334576	1	FACE PLATE F. BALL VALVE GREEN
334578	1	HANDLE FOR VALVE 'OLD' STYLE
334587	1	FACE PLATE F.BALL VALVE BLACK
334588	1	FACE PLATE F. BALL VALVE BLUE
334594	1	PLUG F.VALVE HANDLE BLACK
334597	1	PLUG F.VALVE HANDLE YELLOW
334598	1	PLUG F.VALVE HANDLE BLUE
334600	1	SPINDLE F.3 WAY VALVE
334900	1	HANDLE F.3 WAY VALVE TALL '00
334903	1	HANDLE S67/93 VALVE BLACK
390204	1	BALL F. 3 WAY SUCTION VALVE
390238	1	BALL F. 3 WAY PRESSURE VALVE
390251	1	MOTOR HOUSING F. 3-WAY VALVE
390262	1	BALL F. 2 WAY VALVE
390623	1	HOUSING F.3 WAY VALVE
390777	1	HOUSING F.BALL VALVE 3 WAY
391023	1	SMART VALVE MOUNTING BRACKET
391039	1	BALL F. S67 SMART VALVE
391180	1	BALL F. AGITATOR S67 ARE 268
410605	1	BOLT HEX 8.8 DEL M6X80
420862	1	BOLT HEX 8.8 DEL M10X16 FT
440681	1	SCREW F. PLASTIC 4MM X 14LG SS
440685	1	SCREW F.PLASTIC 4X14 SS C-SUNK
440699	1	SCREW F. PLASTIC 4MMM X12LG SS
440729	1	SCREW F. PLASTIC 4MM X40LG SS
460261	1	NUT HEX M6X1.00 LOCK DIN985 A2 SS
460423	1	NUT HEX M10X1.50 LOCK DIN985A2 SS
471122	1	WASHER, M10, Ø20/10.5X 2.0, SS
471125	1	WASHER M6U 6.4X14X1.2,A2 SS
728391	1	VALVE S67 PRESSURE MANIFOLD
728393	1	VALVE 3 WAY F.AGITAT.SHUTOFF
728579	1	SEAL F BALL
728945	1	VALVE 2-WAY YELLOW W.S-67 ENDS
729796	1	VALVE S-67 MANUAL D33 J-D
741446	1	REPAIR KIT F.S67 VALVE - VITON
840062	1	VALVE S67 PRESSURE AGITATION
841062	1	VALVE KIT S67 PRESS. MANIFOLD
14027700	1	SPINDLE F.SMART VALVE S67 L=36
14075700	1	SPINDLE F.SMART VALVE S67 L=81
33501100	1	FACE PLATE F.SMART VALVE GREEN
33506500	1	FACE PLATE F.BALL VALVE BLACK
61025400	1	HANDLE SMART VALVE
72113700	1	VALVE, VARIABLE AGITATION
72172100	1	VALVE S67 "V1" SMART VALVE
72172200	1	VALVE S67 "V2" SMART VALVE
72283600	1	VALVE S67 AGITATION NCM
72292500	1	VALVE S67 SMART VALVE NEW NAV
72538000	1	VALVE S67, LONG SPINDLE
72691600	1	VALVE, S67, 2-WAY F. FILLER



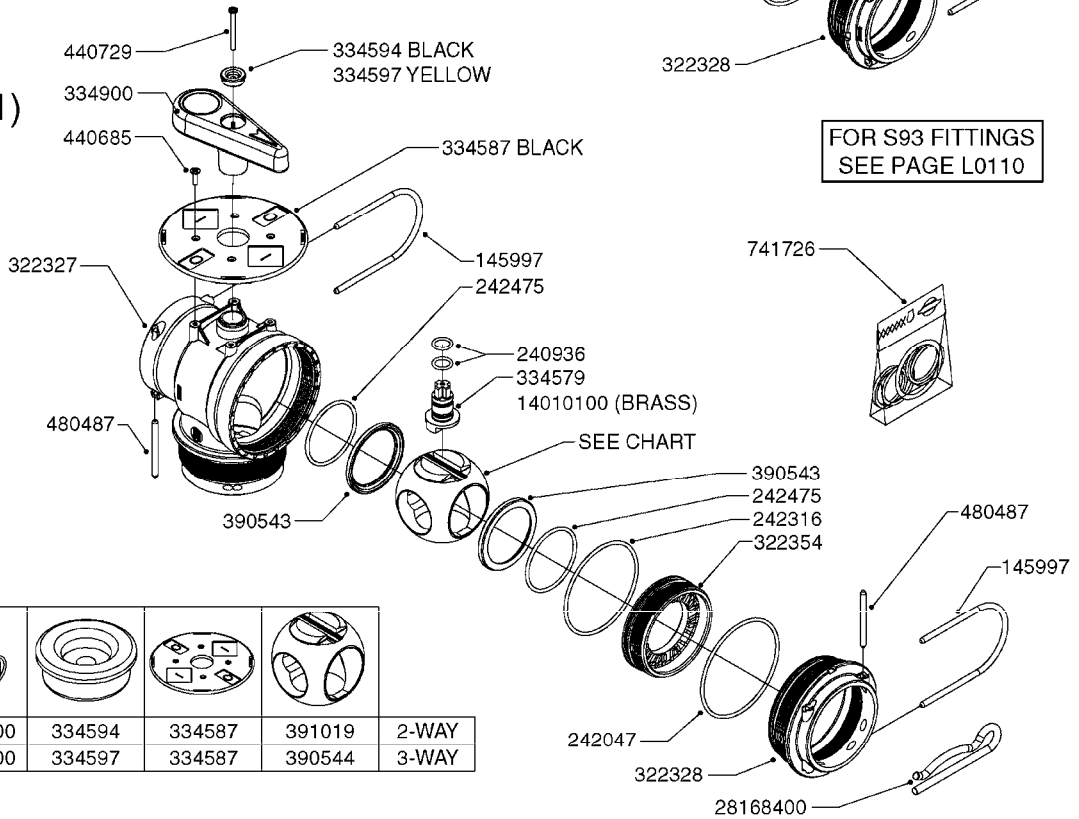
MANIFOLD - S93 VALVE
B0530-HIN, 28:01:19

S93



NLA	334594	334587	391019	2-WAY
NLA	334597	334587	390544	3-WAY

S93 (01)



FOR S93 FITTINGS
SEE PAGE L0110

72082300	334594	334587	391019	2-WAY
72082400	334597	334587	390544	3-WAY

B0530



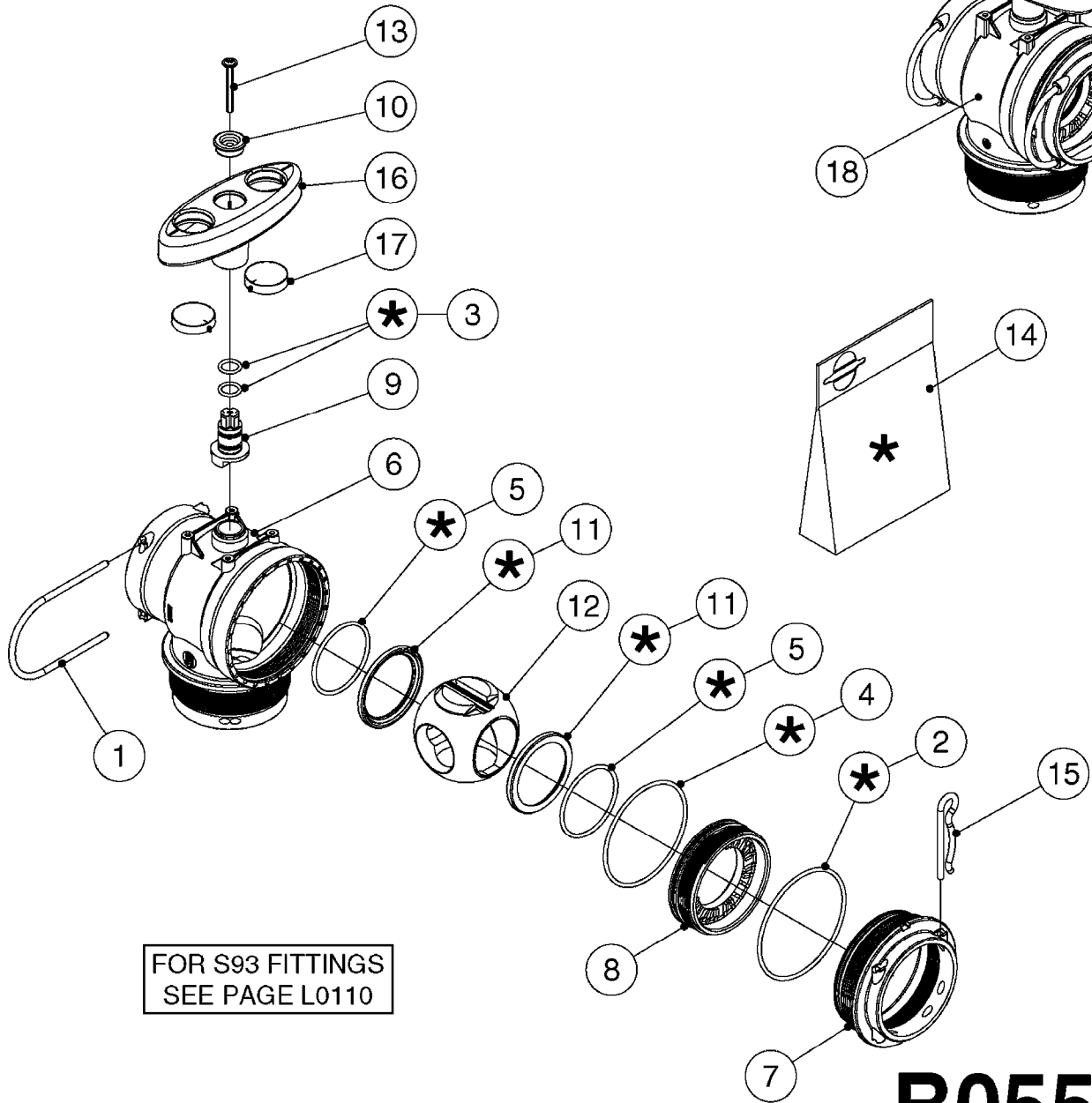
MANIFOLD - S93 VALVE
B0530-HIN, 28:01:19

Page 1
Date 07.02.2020 7:59

parts-n°	order qty	description
145997	1	FITT.DK S-93 FORK
240936	1	O-RING D13.3X2.4 NITRIL
242047	1	O-RING 89.5 X 3.0 VITON
242316	1	O-RING D84.5X3.0 NITRIL
242451	1	O'RING D56.0 x 3.0 VITON
242475	1	O'RING D56.52x5.33 SH70-VITON
322327	1	HOUSING, VALVE, S93, 220 PSI
322328	1	END CAP F.VALVE S-93
322354	1	THRUST PLATE F.3-WAY VALVES-93
334578	1	HANDLE FOR VALVE 'OLD' STYLE
334579	1	SPINDLE F.3 WAY VALVE S-93
334587	1	FACE PLATE F.BALL VALVE BLACK
334594	1	PLUG F.VALVE HANDLE BLACK
334597	1	PLUG F.VALVE HANDLE YELLOW
334900	1	HANDLE F.3 WAY VALVE TALL '00
390543	1	SEAT F.BALL 3-WAY VALVE S-93
390544	1	BALL FOR S93 VALVE, 3 HOLES
391019	1	BALL F.2 WAY S93 SMART VALVE
440681	1	SCREW F. PLASTIC 4MM X 14LG SS
440685	1	SCREW F.PLASTIC 4X14 SS C-SUNK
440729	1	SCREW F. PLASTIC 4MM X40LG SS
480487	1	PIN M5X60 SLOTTED GALV
741447	1	REPAIR KIT F.S93 VALVE - VITON
741726	1	REPAIR KIT F.S93 VALVE VIT.'02
14010100	1	SPINDLE F.SMART VALVE S-93
28168400	1	HAIRPIN Ø5 S67/S93
72082300	1	VALVE 3 WAYS MANUAL Ø50 S93
72082400	1	VALVE 2"-S93 3 WAY



S93 (07)



FOR S93 FITTINGS
SEE PAGE L0110

B0550

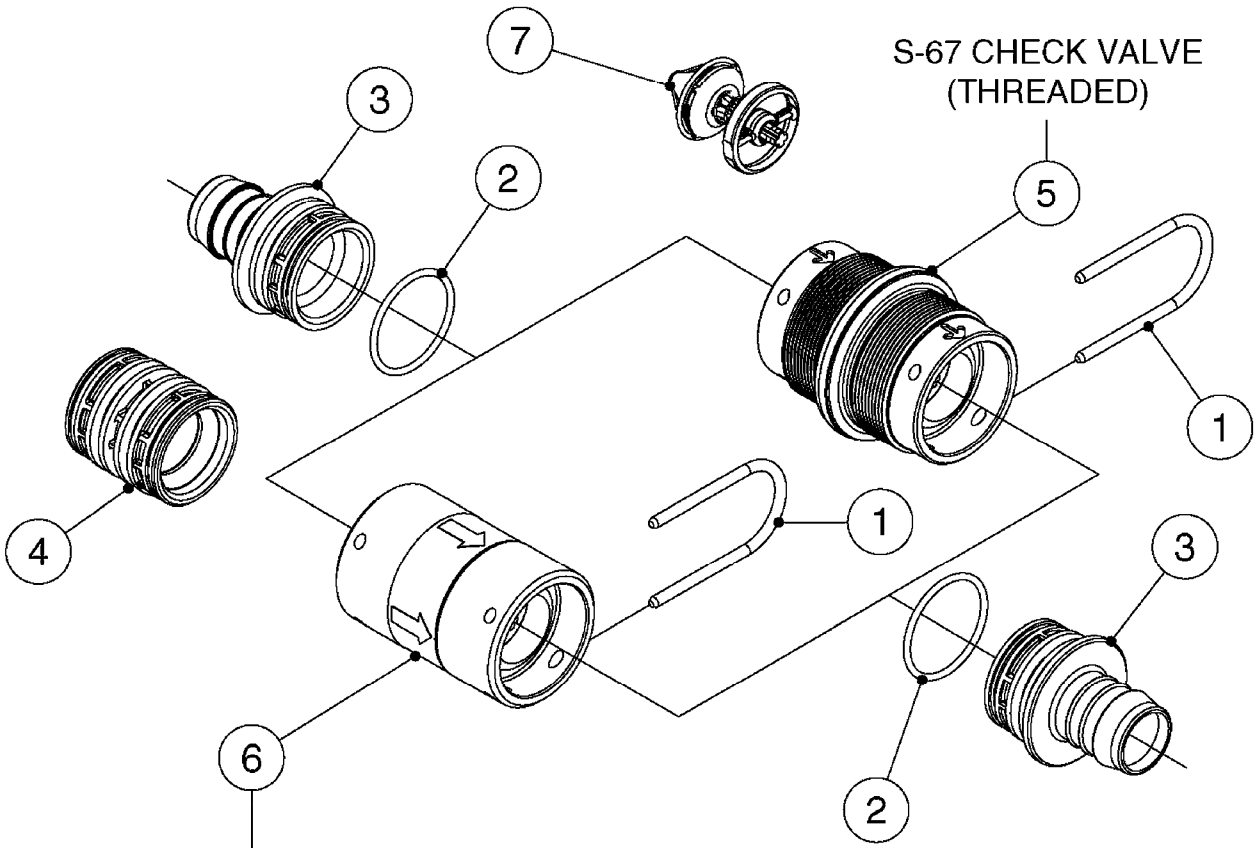


MANIFOLD - S93 VALVE (07)
B0550-HIN, 28:01:19

Page 1

Date 07.02.2020 7:59

Pos.	parts-n°	order qty	description
1	145997	1	FITT.DK S-93 FORK
2	242047	1	O-RING 89.5 X 3.0 VITON
3	242449	1	O'RING 13.3 x 2.4 VITON
4	242450	1	O-RING D84.5X3.0 VITON
5	242475	1	O'RING D56.52x5.33 SH70-VITON
6	322327	1	HOUSING, VALVE, S93, 220 PSI
7	322328	1	END CAP F. VALVE S-93
8	322354	1	THRUST PLATE F.3-WAY VALVES-93
9	334579	1	SPINDLE F.3 WAY VALVE S-93
10	334594	1	PLUG F. VALVE HANDLE BLACK
11	390543	1	SEAT F. BALL 3-WAY VALVE S-93
12	390544	1	BALL FOR S93 VALVE, 3 HOLES
12	391019	1	BALL F.2 WAY S93 SMART VALVE
13	440729	1	SCREW F. PLASTIC 4MM X40LG SS
14	741726	1	REPAIR KIT F.S93 VALVE VIT.'02
15	28168400	1	HAIRPIN Ø5 S67/S93
16	33514400	1	HANDLE FOR 2 ICONS 07
17	33514500	1	PLUG FOR HANDLE ,2 ICONS
18	72518800	1	QUICK FILL VALVE 2008 NAV
18	72518900	1	SUCTION VALVE 2008 NAV



S-67 CHECK VALVE
(NON-THREADED)

S-67 CHECK VALVE
(THREADED)

FOR FITTINGS AND
HOSES, SEE SECTION L

B0640



CHECK VALVES - S67 (2011)
B0640-HIN, 15:10:19

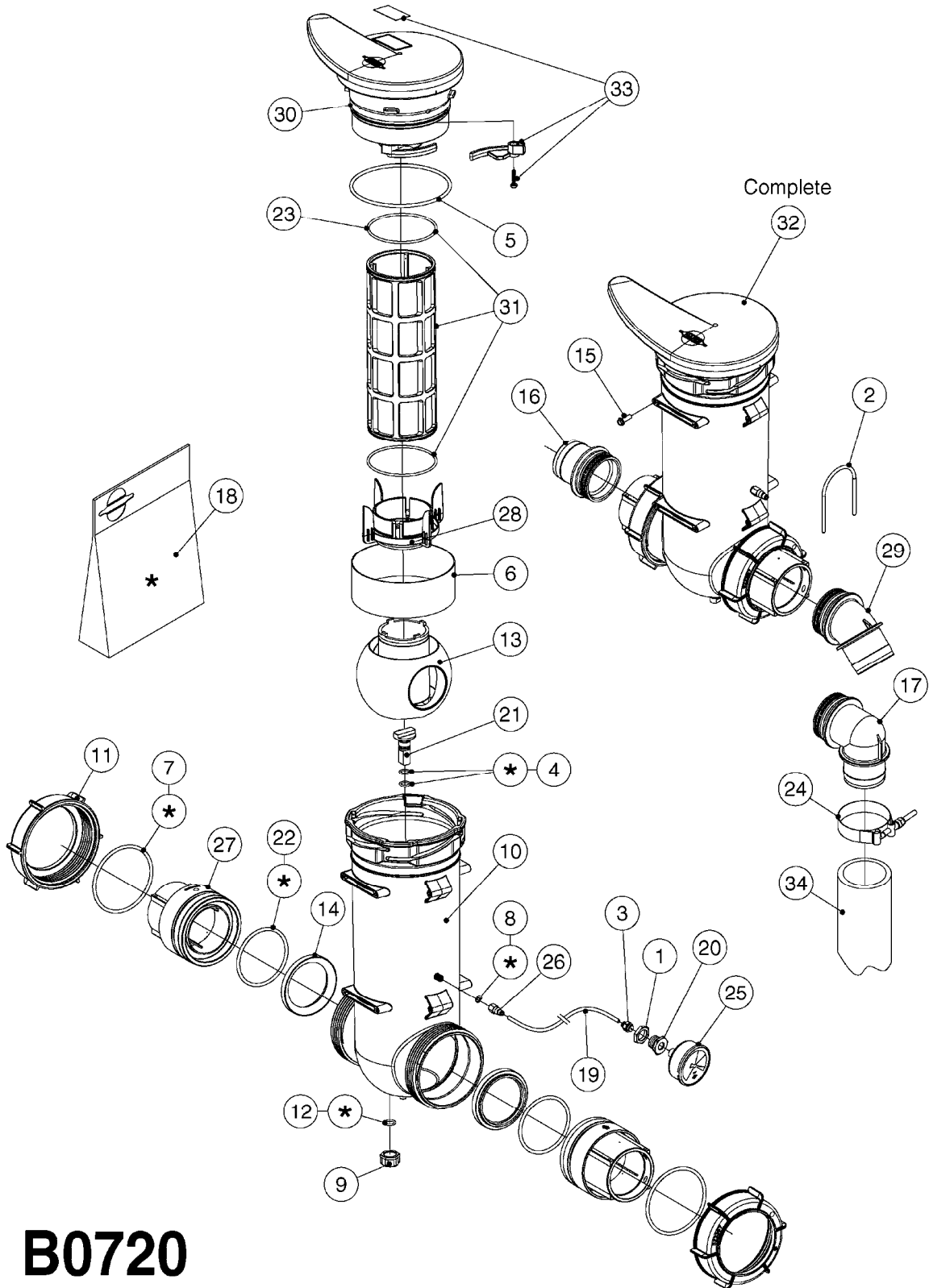
Page 1

Date 07.02.2020 7:59

Pos.	parts-n°	order qty	description
1	145996	1	FITT.DK S-67 FORK
2	242353	1	O-RING 3 X 44.2 VITON
3	334231	1	FITT.DK S-67 STR.1"
3	334232	1	FITT.DK S-67 STR.1-1/4"
4	72432400	1	FITT.DK S-67 CONNEC W.CHK SEAT
5	72819200	1	CHECK VALVE S67 2012 THREADED
6	72819300	1	CHECK VALVE S67 2012 NO THREAD
7	72878800	1	CHECK VALVE S67 SUBASSEMBLY 2013 INCLUDED WITH #5 & #6



EASY CLEAN FILTER
B0720-HIN, 01:01:16



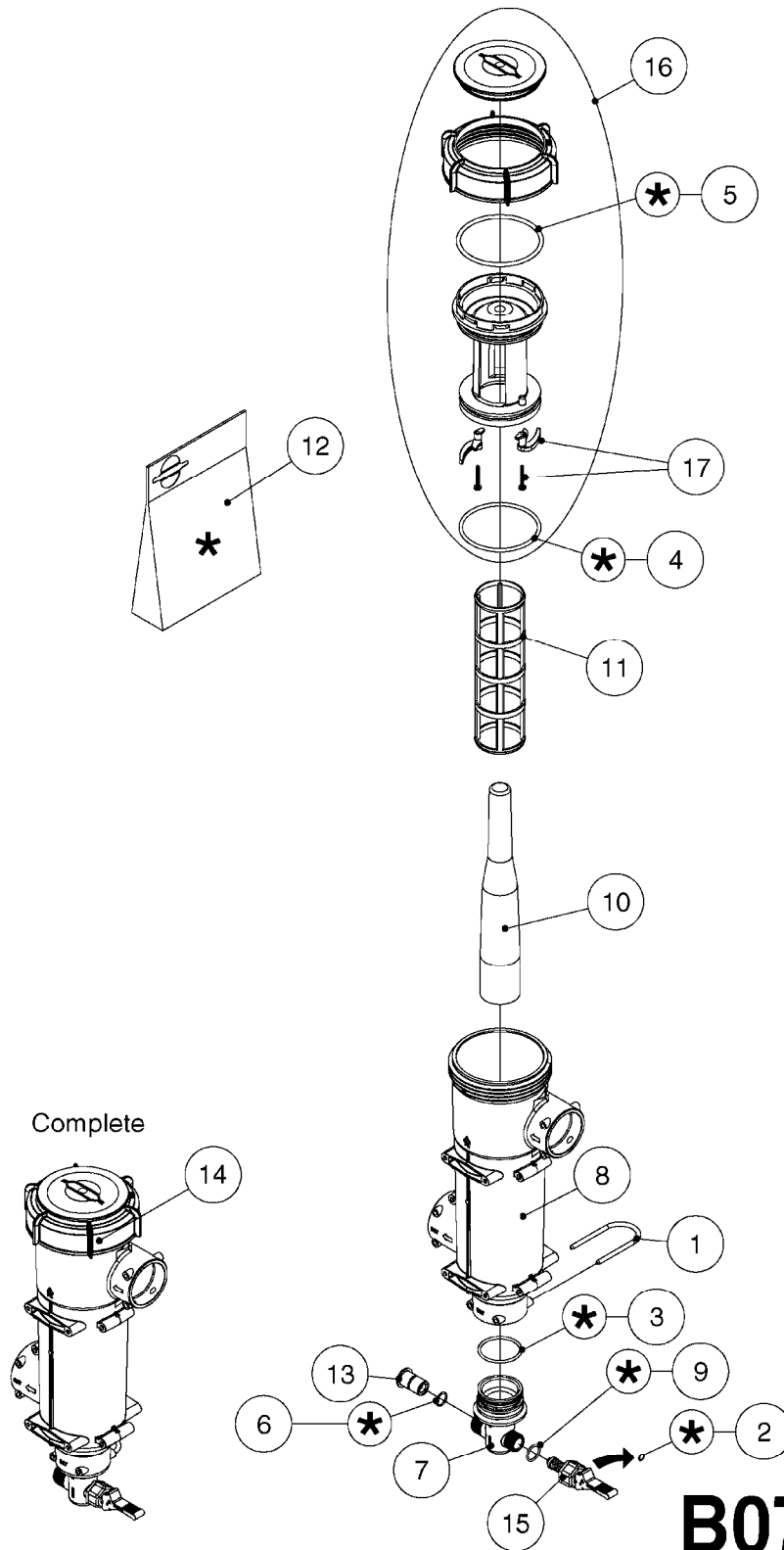


EASY CLEAN FILTER
B0720-HIN, 01:01:16

Page 1

Date 07.02.2020 7:59

Pos.	parts-n°	order qty	description
1	140766	1	NUT 1/2" BSP
2	145997	1	FITT.DK S-93 FORK
3	231346	1	QUICK COUPLER 1/8"BSP X 4 MM
4	240936	1	O-RING D13.3X2.4 NITRIL
5	242570	1	O-RING D150.0 x5.0 SH70 VITON
6	242572	1	RUBBER BELT Ø160x1.5 B=60 EPDM
7	242573	1	O-RING Ø104.14X5.33SH70 NITRIL
8	242593	1	GASKET Ø8/Ø5x1 (PA) 266N-M5X1
9	320047	1	FITT.DK CAPNUT 1/2" BSP
10	322356	1	EASYCLEAN FILTER HOUSING
11	322357	1	CAP F. COUPLER EASYCLEAN FILTE
12	330212	1	O-RING D19/D14X2.4 F.1/2"NUT
13	391090	1	BALL F. EASYCLEAN FILTER ON/OF
14	391091	1	SEAL F. BALL EASYCLEAN FILTER
15	440698	1	SCREW F.PLASTIC 6X18 SS HEXHD
16	727133	1	FITT. S93 2-1/2" STR. S W/O-RI
17	727226	1	FITT. S93 2-1/2" 90° S W/O-RING
18	741826	1	SEAL KIT F. EASYCLEAN FILTER
19	927253	1	RED AIR HOSE, Ø4/2 1810 E
20	14055400	1	FITT.DK REDUC 1/2"x1/8"x1/4"BS
21	14117700	1	SPINDLE S93 L46 NV13 SS
22	24260100	1	O-RING Ø88.0X5.0 SH70 VITON
23	24260700	1	O-RING Ø101.19X3.53 SH70 VITON
24	28030303	1	CLAMP HOSE T-BOLT S2.5" 235-76
25	28053400	1	GAUGE VACUUM SUCT. FILTER NCM
26	28054300	1	QUICK COUPLER 1/8"BSP/Ø4 FEMAL
27	33503200	1	HOSE COUPLER F. EASYCLEAN FILT
28	33503600	1	FILTER CARRIER F. EASYCLEAN
29	72072900	1	FITT. S93 2-1/2" 45° S W/O-RING
30	72270600	1	LID ASSM. EASYCLEAN FILTER
31	72278800	1	FILTER 30 MESH GREEN D110/284
31	72278900	1	FILTER 50 MESH BLUE D110/284
31	72279000	1	FILTER 80 MESH RED D110/284
32	72318900	1	EASYCLEAN FILTER COMPL.
33	74192800	1	FILTER LOCK PARTS - EASYCLEAN
34	92702803	1	HOSE PVC SUCT GRAY 2.5"



B0730

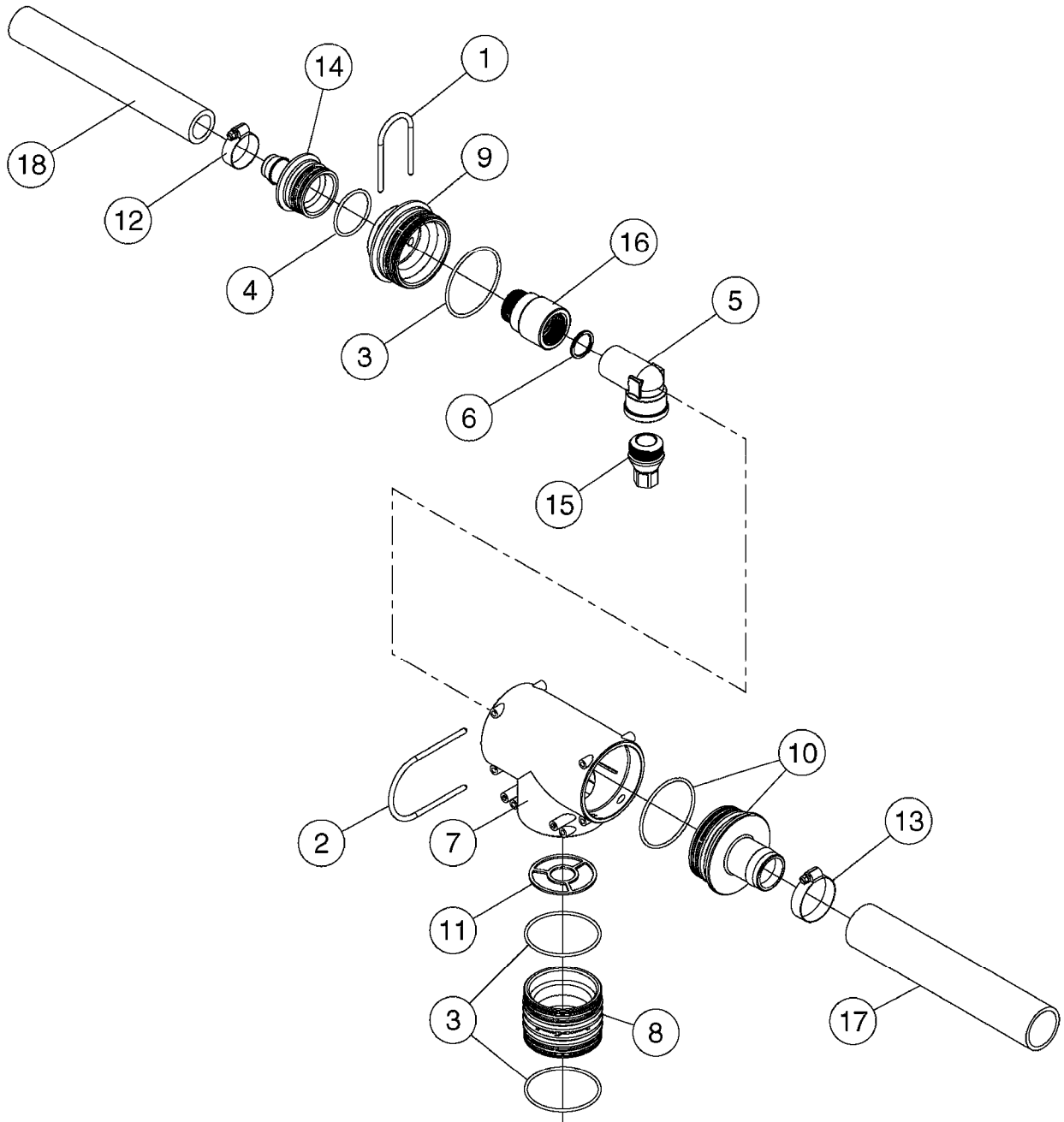


PRESSURE FILTER - CYCLONE
B0730-HIN, 01:01:16

Page 1

Date 07.02.2020 7:59

Pos.	parts-n°	order qty	description
1	145996	1	FITT.DK S-67 FORK
2	241323	1	O-RING D5.3X2.4 NITRIL
3	242353	1	O-RING 3 X 44.2 VITON
4	242565	1	O-RING Ø 85 X 4.0 SH70 VITON
5	242577	1	O-RING Ø 86 X 4.5 SH70 VITON
6	242594	1	O-RING D14 X 1.78 SCH.70-EPDM
7	322358	1	T-PIECE S67-1/2"-3/4"
8	322359	1	CYCLONE FILTER HOUSING
9	330315	1	O-RING D18.4/D13X.6
10	391093	1	CONE F. CYCLONE FILTER
11	61036000	1	FILTER ELEM.S93,100 MSH-YELLOW
11	615416	1	FILTER ELEM.S93,50 MESH-BLUE
11	72557200	1	FILTER ELEM.S93,80# CYCLONE
12	741827	1	SEAL KIT CYCLONE FILTER
13	39127500	1	VALVE SEAT D18/10 3/4"-1/2" 09
14	72281200	1	CYCLONE FILT.COMP. 80 MSH S67
14	72316500	1	CYCLONE FILT.COMP.50 MSH S67
14	72316600	1	CYCLONE FILT.COMP.100 MSH S67
15	72281300	1	VALVE BOOSTER/ON/OFF CYCLONE F
16	72352200	1	LID COMPLETE F. CYCLONE FILTER
17	74192900	1	FILTER LOCK PARTS - CYCLONE



B0790

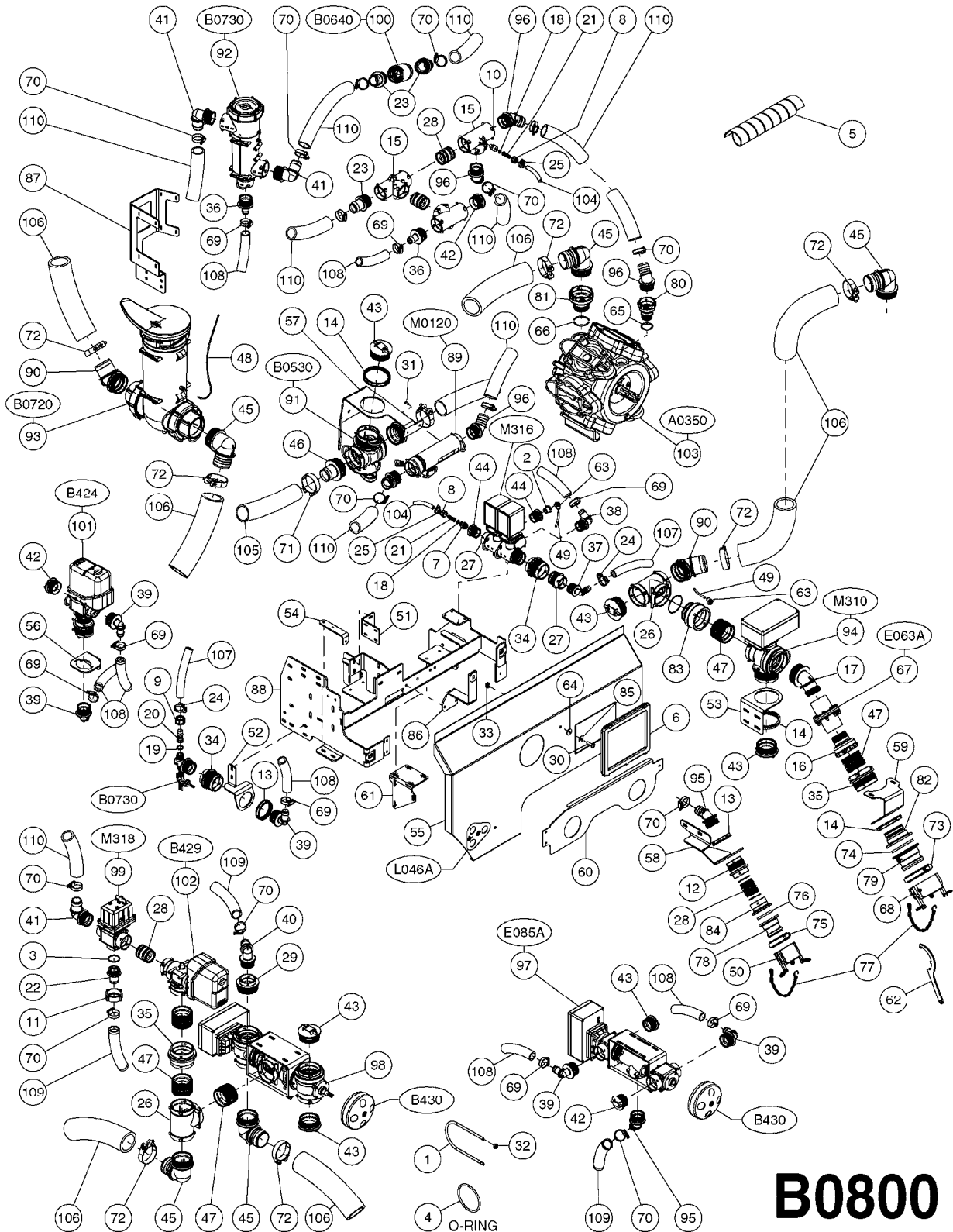


S93 EJECTOR F.TURBOFILLER
B0790-HIN, 30:08:16

Page 1

Date 07.02.2020 7:59

Pos.	parts-n°	order qty	description
1	145996	1	FITT.DK S-67 FORK
2	145997	1	FITT.DK S-93 FORK
3	242351	1	O-RING D69.5X3.0 VITON F.S-93
4	242353	1	O-RING 3 X 44.2 VITON
5	322138	1	FITT.DK ELB 1"M X 1"F BSP
6	330326	1	O-RING D30/D24X2 F.1"NUT
7	334545	1	FITT.DK S-93 TEE
8	334572	1	FITT.DK S-93 ADAPTOR MALE MALE
9	334601	1	FITT.DK S-93 TO S67 ADAPTOR
10	728523	1	FITT.DK S-93 STR.1-1/2" W.O-RING
11	16376600	1	CENTERING RING F. EJECTOR NOZZLE
12	28030003	1	CLAMP HOSE GEAR P1" 6716
13	28030103	1	CLAMP HOSE GEAR P5/4-S1.5"6724
14	39120900	1	FITT.DK S67 STR.1" 1RG INSIDE
15	39143800	1	NOZZLE T.F. EJECTOR
16	39143900	1	1" NPT EXT/INT EXTENSION
17	92702603	1	HOSE PVC SUCT GRAY 1-1/2"
18	92712403	1	HOSE R X1" X300PSI WP X0012"



B0800



Pos.	parts-n°	order qty	description
1	145996	1	FITT.DK S-67 FORK
1	145997	1	FITT.DK S-93 FORK
1	147774	1	FITT.DK S-93 FORK W. M5 THREAD
2	148198	1	HYD. FIT. M-F 1/2''-1/4'
3	242020	1	O-RING 39.2 X 3 VITON
4	242351	1	O-RING D69.5X3.0 VITON F.S-93
4	242353	1	O-RING 3 X 44.2 VITON
4	24011701	1	O-RING R3.42x63.09 FKM70
5	288107	1	SPIRAL WRAP.GS16X2 Ø50 BLACK
5	288109	1	SPIRAL WRAP.GS16X2 Ø30 BLACK
6	288841	1	COVER FOR 6200
7	320176	1	FITT.DK HN 3/8"X1/2" BSP
8	320187	1	FITT.DK CAP 3/8" BSP BLACK
9	320283	1	FITT.DK NUT 3/4"BSP
10	320445	1	FITT.DK HN 1/4"X3/8" BSP
11	322066	1	FITT.DK S-56 NUT
12	322104	1	FITT.DK S-67 BULKHEAD
13	322108	1	FITT.DK S-67 BULKHEAD NUT
14	322109	1	FITT.DK S-93 BULKHEAD NUT
15	322224	1	FITT.DK S-67 TEE
16	322324	1	FITTING S93 FEMALE - BSP 2" MALE
17	322337	1	FITT.DK S-93 ELB.2"BSP 45D
18	330013	1	O-RING 2.5 X 10 PUR
19	330595	1	O-RING D24.6/D20X2.1 -3/4"
20	330691	1	FITT.DK HB 3/4'F.3/4' NUT
21	330783	1	FITT.DK HB 3/8"F.3/8" NUT
22	334050	1	FITT.DK S-61 STR.1-1/4"
23	334233	1	FITT.DK S-67 STR.1-1/2" RUBBER
24	334531	1	CLAMP HOSE PLASTIC 3/4"
25	334533	1	CLAMP HOSE PLASTIC 3/8"
26	334545	1	FITT.DK S-93 TEE
27	334564	1	FITT.DK S-67 TO S-53 ADAPTER
28	334573	1	FITT.DK S-67 CONNECTOR
29	334601	1	FITT.DK S-93 TO S67 ADAPTOR
30	428003	1	SCREW CBHC 8-30/30 ISO 7380-1 SS A2
31	458067	1	VIS PT KA 50X16 WN1412 INOX A2
32	468035	1	NUT HEX M5 A2 LOCK DIN 985
33	468054	1	CAGE NUT M8 72296 SMG-8
34	726464	1	FITT.DK S-67 BULKHEAD W/GASKET
35	726465	1	FITT.DK S-93 BULKHEAD W/GASKET
36	726560	1	FITT.DK S-67 STR.1" W.O'RING
37	726570	1	FITT.DK S-53 ELB.3/4" W.ORING
38	726571	1	FITT.DK S-53 ELB.1", W ORING
39	726572	1	FITT.DK S-67 1" ELBOW 90 ASSY.
40	726573	1	FITT. S67 5/4" 90° W/O-RING
41	726574	1	FITT.DK S67X90,1.5HB PRESSURE
42	726579	1	FITT. S67 PLUG W/O-RING
43	726580	1	FITT. S93 PLUG W/O-RING
44	726694	1	PLUG,S53,1/2"FBSP THD W.ORING
45	727226	1	FITT. S93 2-1/2" 90° S W/O-RING
46	727227	1	FITT.DK S-93 STR.2" W/ORING
47	728525	1	FITT. S93 CONNECTOR W/O-RINGS
48	927253	1	RED AIR HOSE, Ø4/2 1810 E
49	981721	1	AIR HOSE, BLACK, Ø6X4
50	10531003	1	CAP F.MALE QUICK COUPLER 2"
51	16608201	1	SUPPORT VANNE ALPEVO
52	16608401	1	SUPPORT PASSAGE PAROI ALPEVO
53	16608701	1	SUPPORT VANNE S93 ALPEVO
54	16608801	1	SUPPORT TUYAU ALPEVO
55	16609001	1	CARTER VANNE HC9500 DF4 ALPEVO
56	16609201	1	SUPPORT VANNE ALPEVO

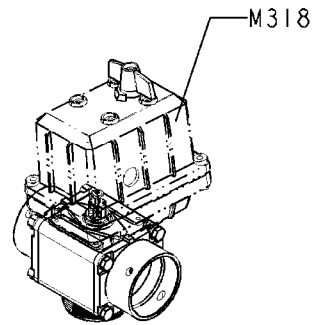
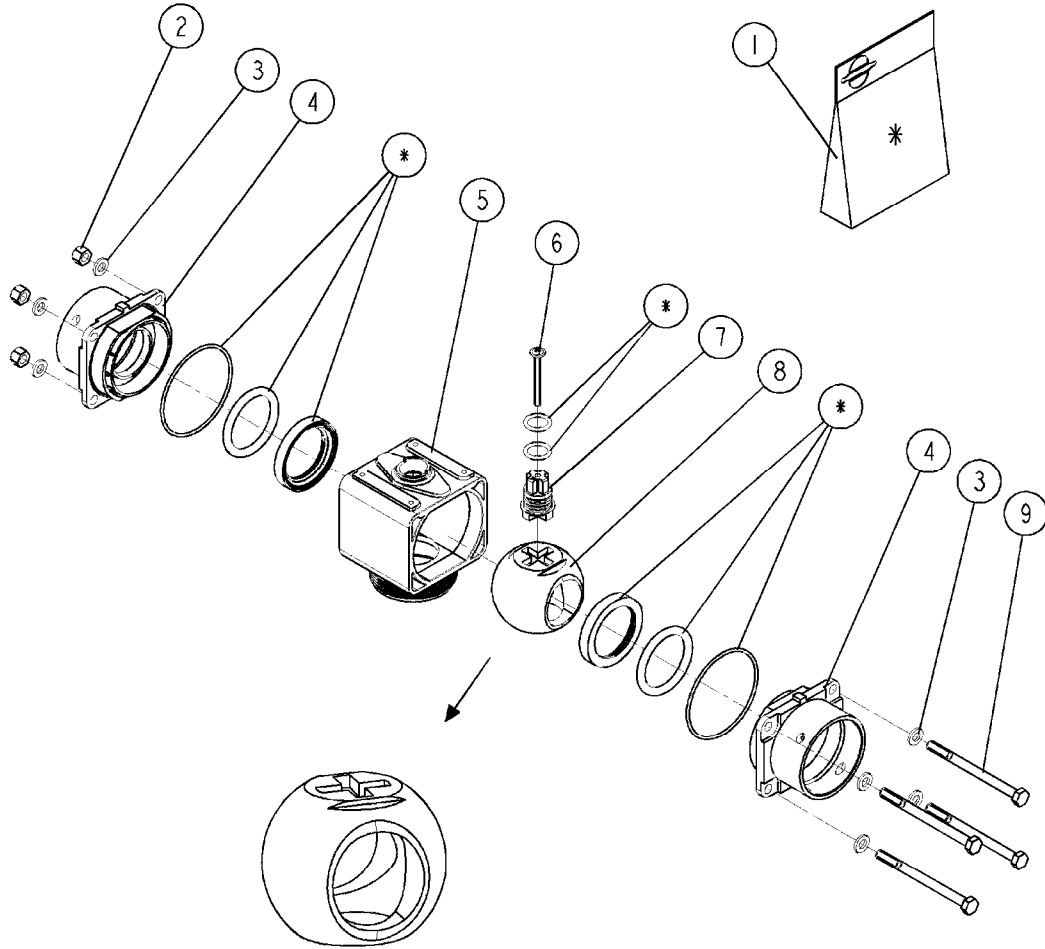


Pos.	parts-n°	order qty	description
57	16609301	1	SUPPORT VANNE-DEBITMETR ALPEVO
58	16609501	1	SUPPORT RACCORD 2"1/2 ALPEVO
59	16609701	1	SUPPORT CLAPET ASP ALPEVO
60	16613601	1	CARTER SUPPORT SMART VALVE EVO
61	16650001	1	SUPPORT VANNE REF DF4 MANUELLE
62	16694001	1	KEY FOR STORZ 65 BUNG
63	23230100	1	FITTING 90°1/4'RG F PNEU HO D6
64	24003801	1	WASHER, RUBBER D8/D24X4
65	24266600	1	O-RING D 38,0 X 4,0 70SH.NITR
66	24266800	1	O-RING D 54,0 X 4,0 70SH.NITR
67	28015801	1	SUCTION NO RETURN VALVE BSP2" ALPHA
68	28029703	1	CAP F.MALE QUICK COUPLER 3"
69	28030003	1	CLAMP HOSE GEAR P1" 6716
70	28030103	1	CLAMP HOSE GEAR P5/4-S1.5"6724
71	28030203	1	CLAMP HOSE T-BOLT S2" 235-67
72	28030303	1	CLAMP HOSE T-BOLT S2.5" 235-76
73	28034203	1	CLAMP F. 3" BANJO FLANGE
74	28034303	1	GASKET F. 3" BANJO FLANGE
75	28034503	1	CLAMP F. 2" STD BANJO FLANGE
76	28034603	1	GASKET F. 2" FP BANJO FLANGE
77	28040703	1	SAFETY CHAIN F.CV BLACK PTO (SET OF 2)
78	28049903	1	COUPLER, 2" FP, MALE, FLANGED
79	28093003	1	BANJO FITT. 3'' M QC X 3'' FP FLANGE
80	32242200	1	FITTING S67 5/4" KON. RG 2014
81	32242400	1	FITTING S93 2" KON. RG 2014
82	39001504	1	FITT BANJO FLANGE/S93 MALE
83	39001704	1	FITT. S93 MF ADAPTOR 1/4" VENT
84	39002003	1	FITT S67/2" FP BANJO FLANGE
85	47000001	1	WASHER L8U 8,4x22x1,5 A2 SS
86	61039201	1	ATTACHE CARTER HARDI ALPEVO
87	61039301	1	SUPPORT FILTRE ALPEVO
88	63073401	1	SUPPORT SMART VALVE ALPEVO
89	72028800	1	FLOW METER HOUSING Ø36 2xS67
90	72072900	1	FITT. S93 2-1/2" 45° S W/O-RING
91	72082300	1	VALVE 3 WAYS MANUAL Ø50 S93
92	72281200	1	CYCLONE FILT.COMP. 80 MSH S67
93	72318900	1	EASYCLEAN FILTER COMPL.
94	72373600	1	S93-MOTOR VALVE-AUTO FILL
95	72433100	1	FITT.DK S-67 45° 1-1/4"W/ORING
96	72433200	1	FITT.S67 1-1/2" 45°PVC W/O-RING
97	72542300	1	SMART VALVE S67 V1 + V7 W. MOTOR
98	72542400	1	SMART VALVE S93 V7 + V8 W. MOTOR
99	72801400	1	VALVE EL.S67 GNB 90 GR. CM11
100	72819300	1	CHECK VALVE S67 2012 NO THREAD
101	72867700	1	S67 EL. AGITATION VALVE HALL SENSOR "11" HE
102	72909800	1	PRESS. REG. DF4 CERAMIC 0°
103	82168200	1	PUMP 464-10 2" SUCT. 540RPM
103	82168700	1	PUMP 464-12 540 OFFSET PORTS
104	92701703	1	HOSE R X3/8" X300PSI WP X0012"
105	92702703	1	HOSE PVC SUCT GRAY 2"
106	92702803	1	HOSE PVC SUCT GRAY 2.5"
107	92703203	1	HOSE R X3/4" X300PSI WP X0012"
108	92712403	1	HOSE R X1" X300PSI WP X0012"
109	92734403	1	HOSE R X5/4" X200PSI WP X0012"
110	92736503	1	HOSE R X1.5" X200PSI WP X0012"



S67 VALVE
B420-HIA, 29:07:15

I Valve



B420



S67 VALVE
B420-HIA, 29:07:15

Page 1

Date 07.02.2020 7:59

Pos.	parts-n°	order qty	description
1	74193000	1	REPAIR KIT FOR S67 VALVE
2	460261	1	NUT HEX M6X1.00 LOCK DIN985 A2 SS
3	471125	1	WASHER M6U 6.4X14X1.2,A2 SS
4	334497	1	END COVER 3 WAY VALVE S-67
5	39135100	1	S67 HOUSING MACHINED (322230)
6	440729	1	SCREW F. PLASTIC 4MM X40LG SS
7	14118500	1	SPINDLE S67 L23 CROSS BRASS
8	390262	1	BALL F. 2 WAY VALVE
9	410605	1	BOLT HEX 8.8 DEL M6X80

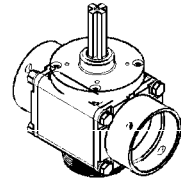
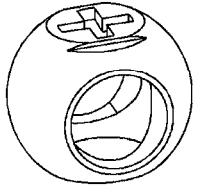
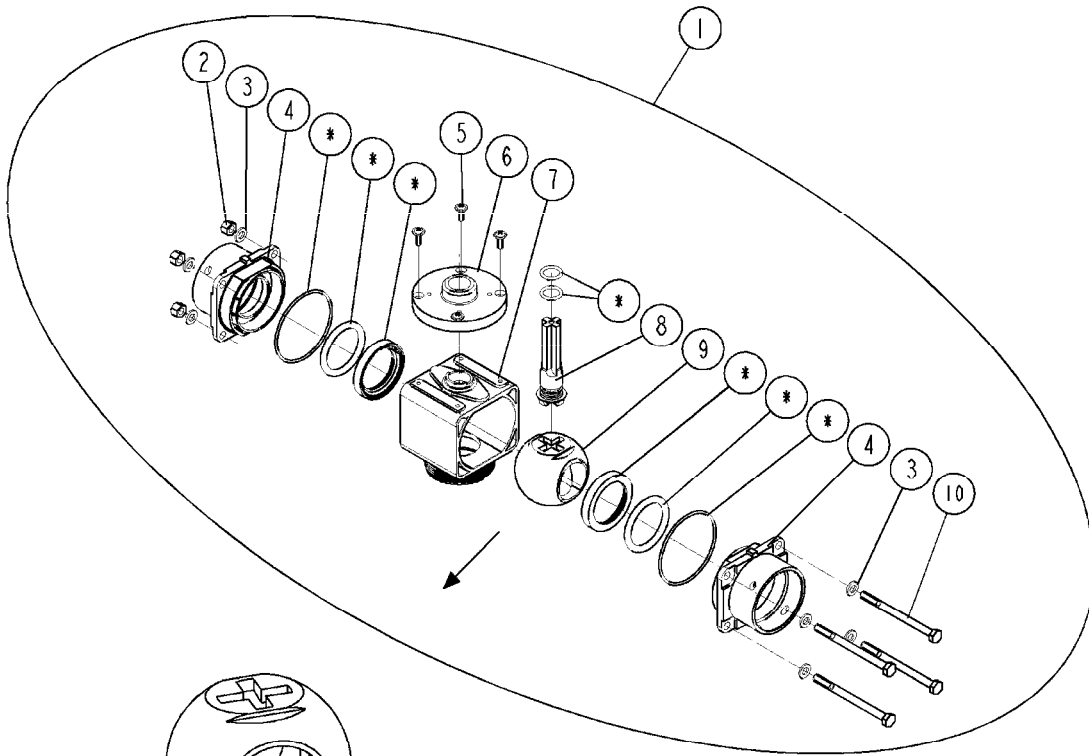
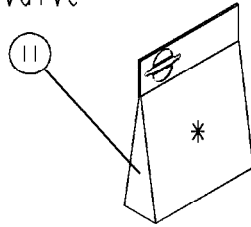


VALVE S67 2-WAY (11)
B422-HIA, 19:12:12

Page 0

Date 07.02.2020 7:59

I Valve



B422



VALVE S67 2-WAY (11)
B422-HIA, 19:12:12

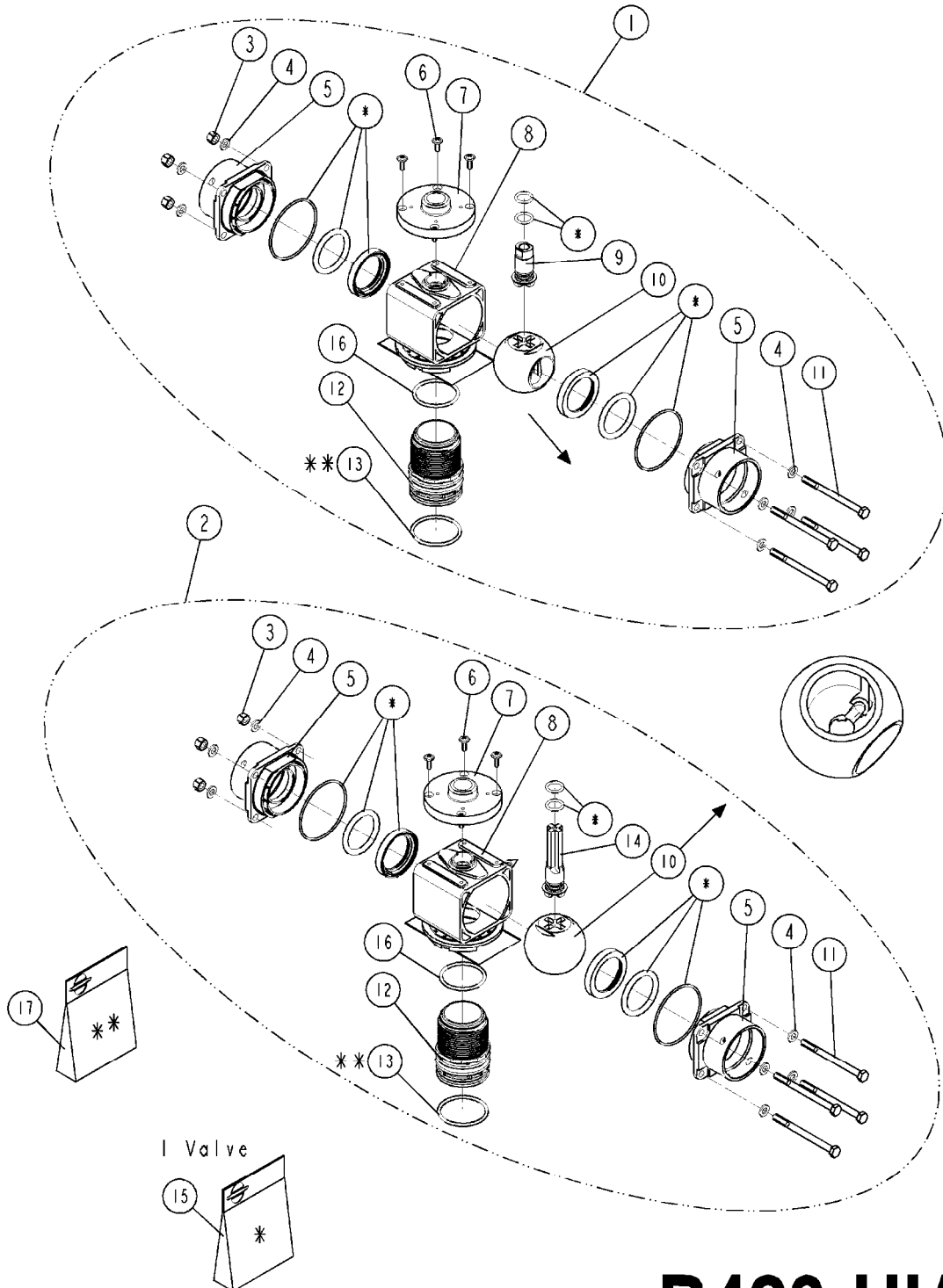
Page 1

Date 07.02.2020 7:59

Pos.	parts-n°	order qty	description
1	72784200	1	VALVE 2-WAYS S67 CM11
2	460261	1	NUT HEX M6X1.00 LOCK DIN985 A2 SS
3	471125	1	WASHER M6U 6.4X14X1.2,A2 SS
4	334497	1	END COVER 3 WAY VALVE S-67
5	440699	1	SCREW F. PLASTIC 4MM X12LG SS
6	391023	1	SMART VALVE MOUNTING BRACKET
7	39135100	1	S67 HOUSING MACHINED (322230)
8	14117200	1	CARRIER S67 L70 M4 CM11 MS
9	390262	1	BALL F. 2 WAY VALVE
10	410605	1	BOLT HEX 8.8 DEL M6X80
11	74193000	1	REPAIR KIT FOR S67 VALVE



S67 VALVE (11)
B423-HIA, 07:06:17



B423-HIA

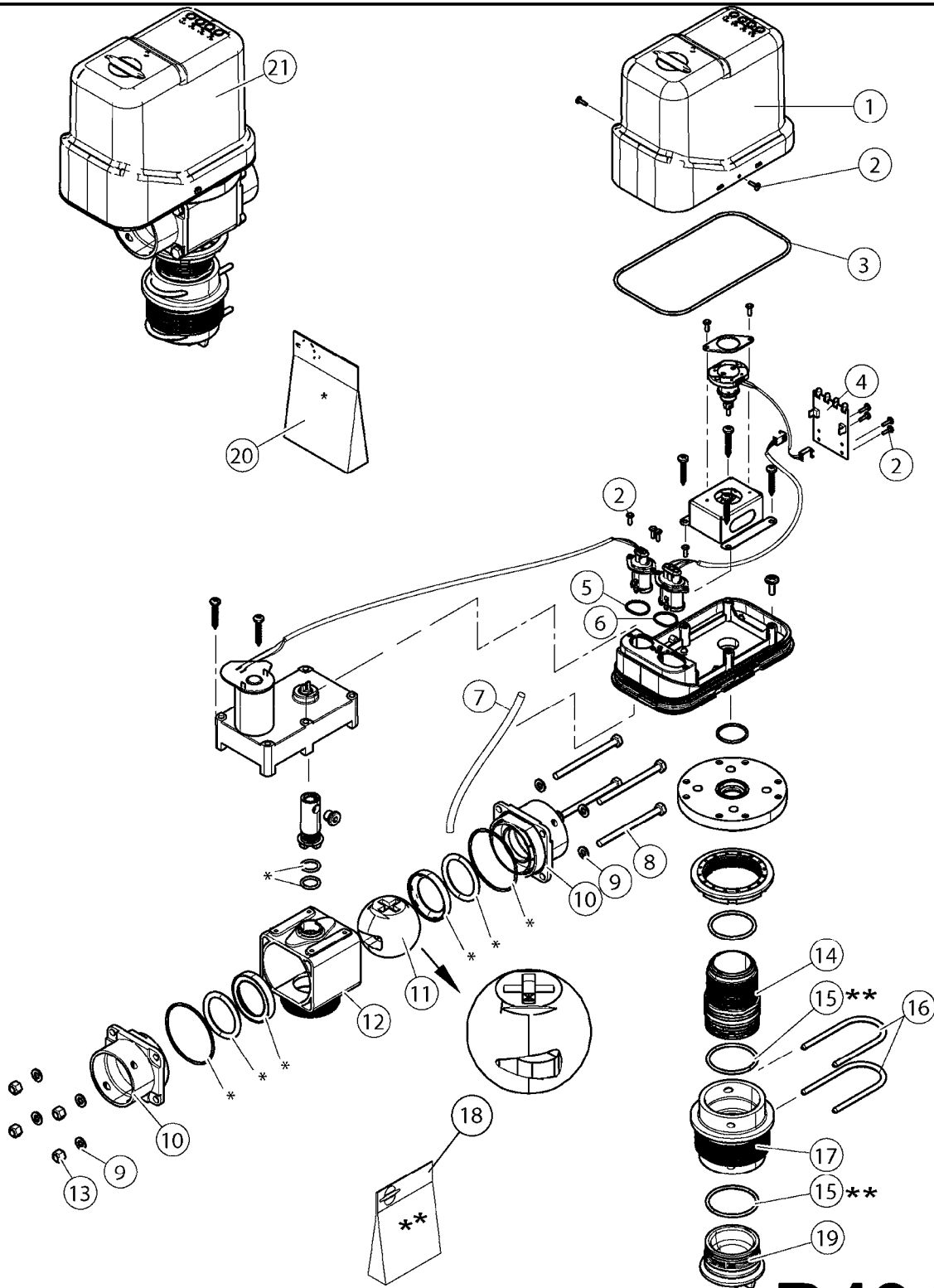


S67 VALVE (11)
B423-HIA, 07:06:17

Page 1

Date 07.02.2020 7:59

Pos.	parts-n°	order qty	description
1	72784500	1	VALVE 1F.S67 SV.CM45/55/7000
2	72784600	1	VALVE 2F.S67 SV.CM45/55/7000
3	460261	1	NUT HEX M6X1.00 LOCK DIN985 A2 SS
4	471125	1	WASHER M6U 6.4X14X1.2,A2 SS
5	334497	1	END COVER 3 WAY VALVE S-67
6	440699	1	SCREW F. PLASTIC 4MM X12LG SS
7	391023	1	SMART VALVE MOUNTING BRACKET
8	390623	1	HOUSING F.3 WAY VALVE
9	14027700	1	SPINDLE F.SMART VALVE S67 L=36
10	39134300	1	BALL S67 F. SV CM11
11	410605	1	BOLT HEX 8.8 DEL M6X80
12	322325	1	FITT.DK S-67 X 1-1/2"BSP LONG
13	242353	1	O-RING 3 X 44.2 VITON
13	241973	1	O-RING Ø3 X 44.2 70 SHORES NITRIL
14	14117200	1	CARRIER S67 L70 M4 CM11 MS
15	74193000	1	REPAIR KIT FOR S67 VALVE
16	242020	1	O-RING 39.2 X 3 VITON
17	74196100	1	BAG OF 10 PCS. 241973 O-RINGS



B424

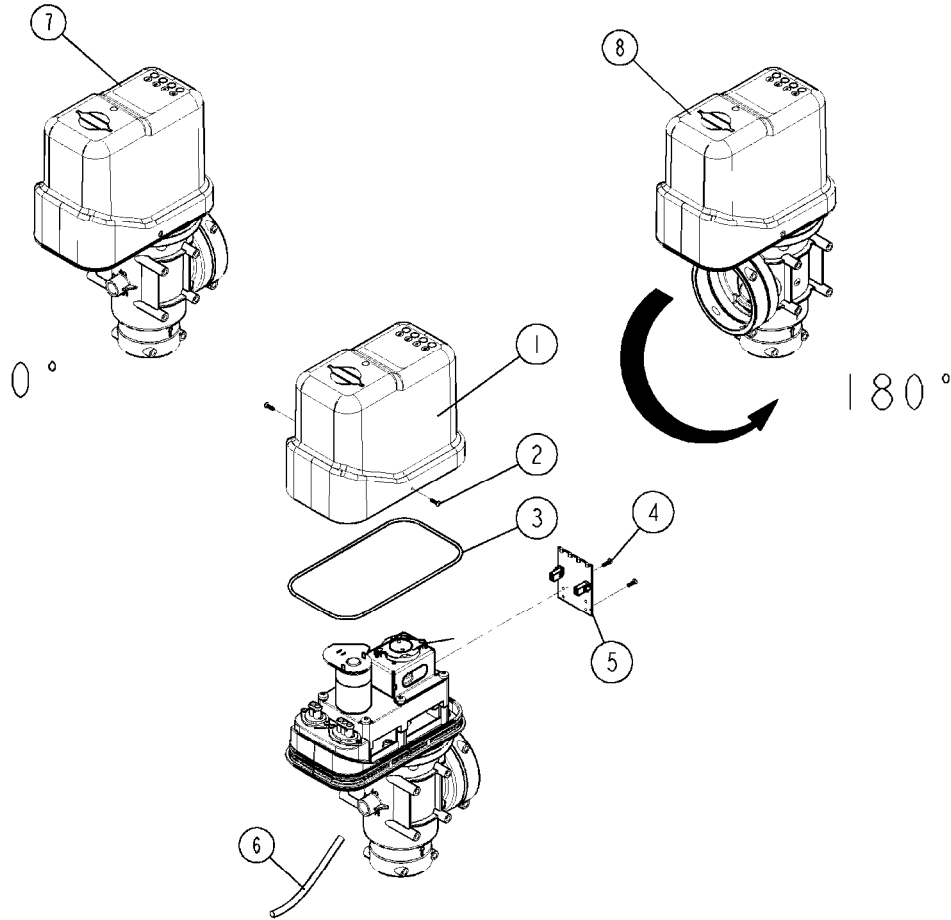


AGITATION VALVE DF4
B424-HIA, 29:09:16

Page 1

Date 07.02.2020 7:59

Pos.	parts-n°	order qty	description
1	33521000	1	REG.MOTOR COVER CERAMIC 2011
2	44075500	1	SCREW 25X10 WIN5451/TORX
3	24264300	1	O-RING Ø 148.0 X 3 SH70 VITON
4	72908500	1	REG.VALVE PCB ASSY FK
5	24265300	1	O-RING Ø 20.0 X 1.5 SH70 VITON
6	24264200	1	O-RING Ø 23.0 X 1.5 SH70 VITON
7	25197400	1	PE-HOSE Ø8/6 BLACK L = 0.6M
8	410605	1	BOLT HEX 8.8 DEL M6X80
9	471125	1	WASHER M6U 6.4X14X1.2,A2 SS
10	334497	1	END COVER 3 WAY VALVE S-67
11	39136000	1	BALL F.AGITATION VALVE A340
12	390623	1	HOUSING F.3 WAY VALVE
13	460261	1	NUT HEX M6X1.00 LOCK DIN985 A2 SS
14	322325	1	FITT.DK S-67 X 1-1/2"BSP LONG
15	242353	1	O-RING 3 X 44.2 VITON
15	241973	1	O-RING Ø3 X 44.2 70 SHORES NITRIL
16	145996	1	FITT.DK S-67 FORK
17	322104	1	FITT.DK S-67 BULKHEAD
18	74196100	1	BAG OF 10 PCS. 241973 O-RINGS
19	334250	1	FITT.DK S-67 PLUG
20	74193000	1	REPAIR KIT FOR S67 VALVE
21	72867700	1	S67 EL. AGITATION VALVE HALL SENSOR "11" HE



DF4 valve with Syntal

DF4	0° Navigator	180° Mega
New	72772100	72824100
Defect	73267100	73267200
Exchange	73266700	73266800

DF4 valve with Ceramic

DF4	0° Alpha	180° CMI
New	72909800	72772000
Defect	73267000	73266900
Exchange	73266600	73266500

B429-HIA

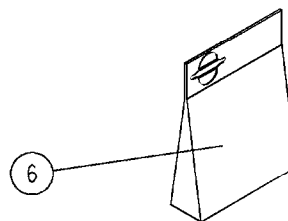
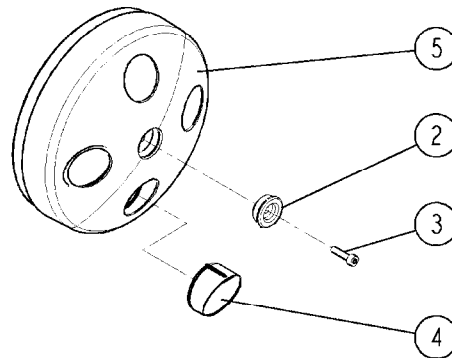
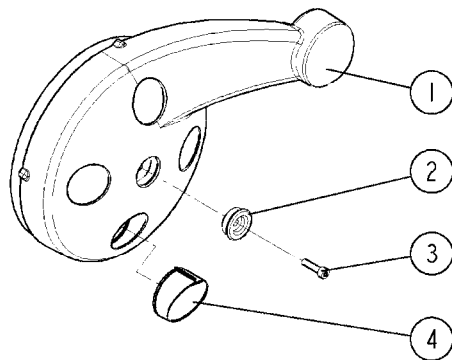


DF4 VALVE SYNTAL/CERAMIC
B429-HIA, 25:08:16

Pos.	parts-n°	order qty	description
1	33521000	1	REG.MOTOR COVER CERAMIC 2011
2	44075500	1	SCREW 25X10 WIN5451/TORX
3	24264300	1	O-RING Ø 148.0 X 3 SH70 VITON
4	44075800	1	SCREW F. PLASTIC TX 2.9X13 SS
5	26038800	1	REG. VALVE PCB ASSY.
6	25197400	1	PE-HOSE Ø8/6 BLACK L = 0.6M
7	72772100	1	PRESS. REG. DF4 - SYNTAL 0° Navigator
7	72909800	1	PRESS. REG. DF4 CERAMIC 0° Alpha
7	73266700	1	PRESS REG DF4 -SYNTAL 0°_EXCHANGE
7	73266600	1	PRESS REG DF4 -CERAMIC 0°_EXCHANGE
7	73267100	1	PRESS REG DF4 SYNTAL 0°_DEFECT
7	73267000	1	PRESS REG DF4 CERAMIC 0°_DEFECT
8	72772000	1	PRESS. REG. DF4 - CERAMIC 180° Commander11
8	72824100	1	PRESS. REG. DF4 - SYNTAL - 180°
8	73266800	1	PRESS REG DF4 SYNTAL 180°_EXCHANGE
8	73266500	1	PRESS REG DF4 -CERAMIC 180°_EXCHANGE
8	73267200	1	PRESS REG DF4 SYNTAL 180°_DEFECT
8	73266900	1	PRESS REG DF4 COMM 180°_DEFECT



Se B528 kryds/aksler



B430

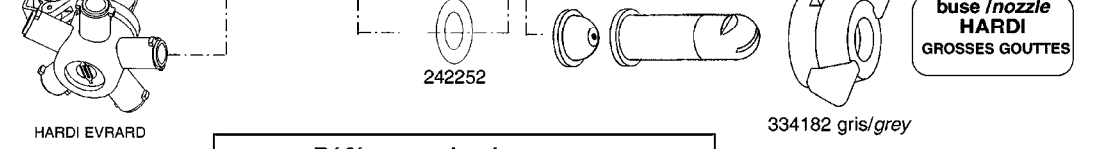
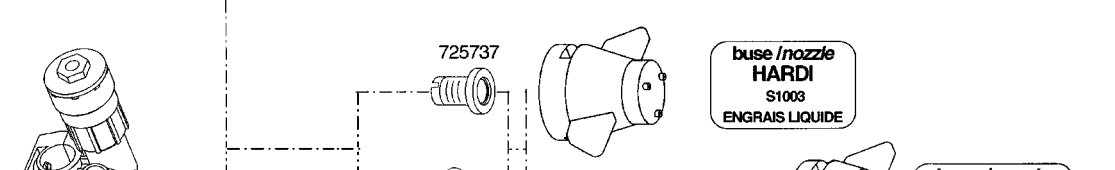
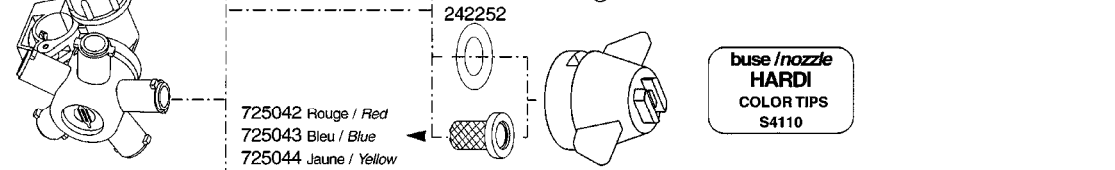
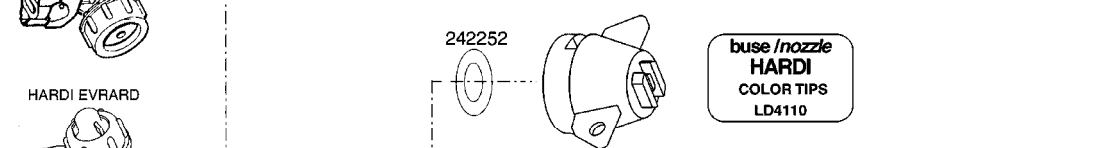
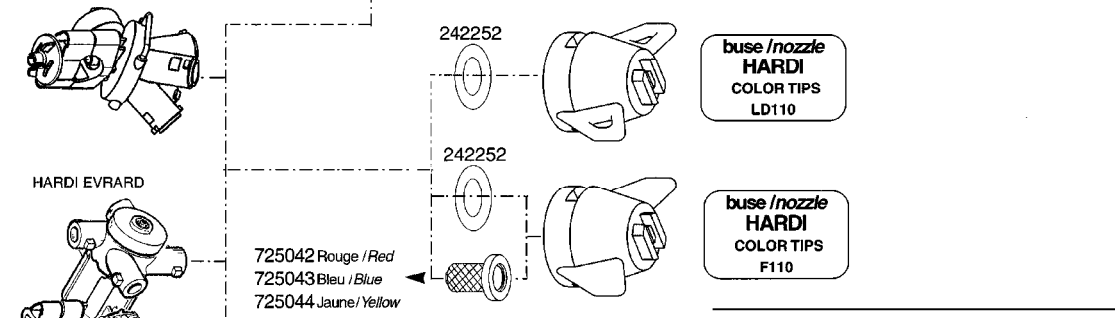
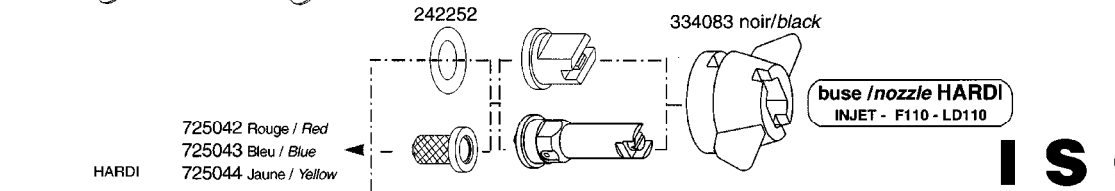
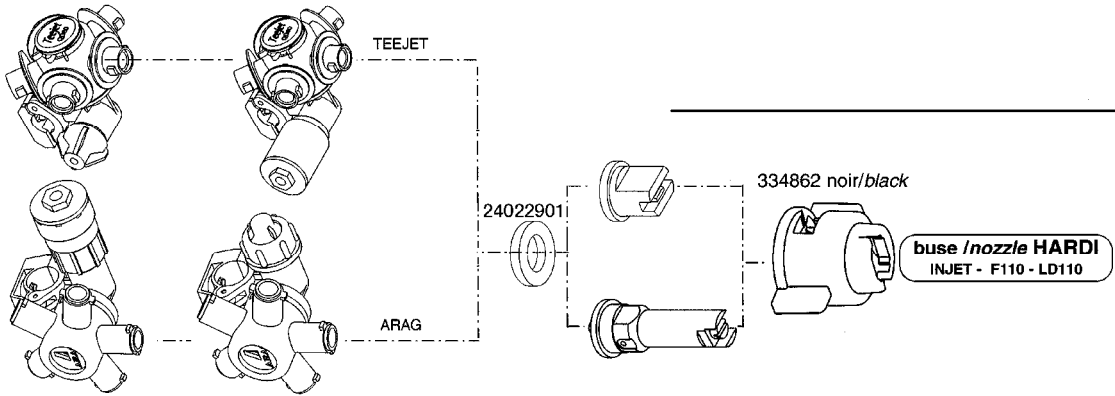


HANDLE/INDICATOR F.SMART VALVE
B430-HIA, 10:07:15

Page 1

Date 07.02.2020 7:59

Pos.	parts-n°	order qty	description
1	33505700	1	SMART VALVE HANDLE
2	334594	1	PLUG F.VALVE HANDLE BLACK
3	450902	1	BOLT ALLEN HEAD M4 X 16MM
4	33505200	1	PLUG FOR SMART VALVE HANDLE
5	33508600	1	POSITION INDICATOR/SMART VALVE
6	74194100	1	PACKAGE OF ICONS - CM-NAV



ISO

Référence des buses :
consultez le catalogue "BUSES HARDI"

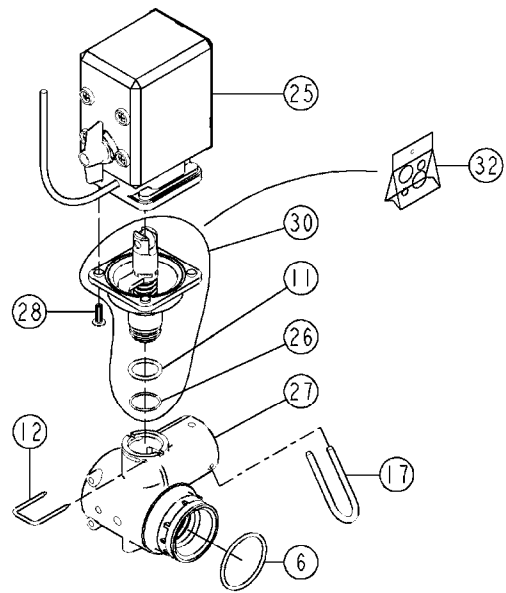
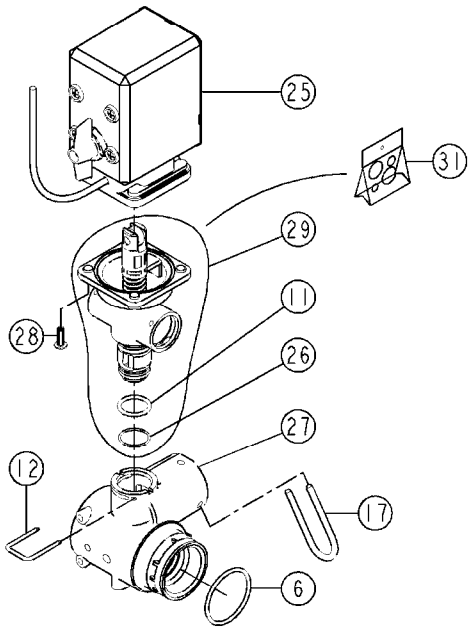
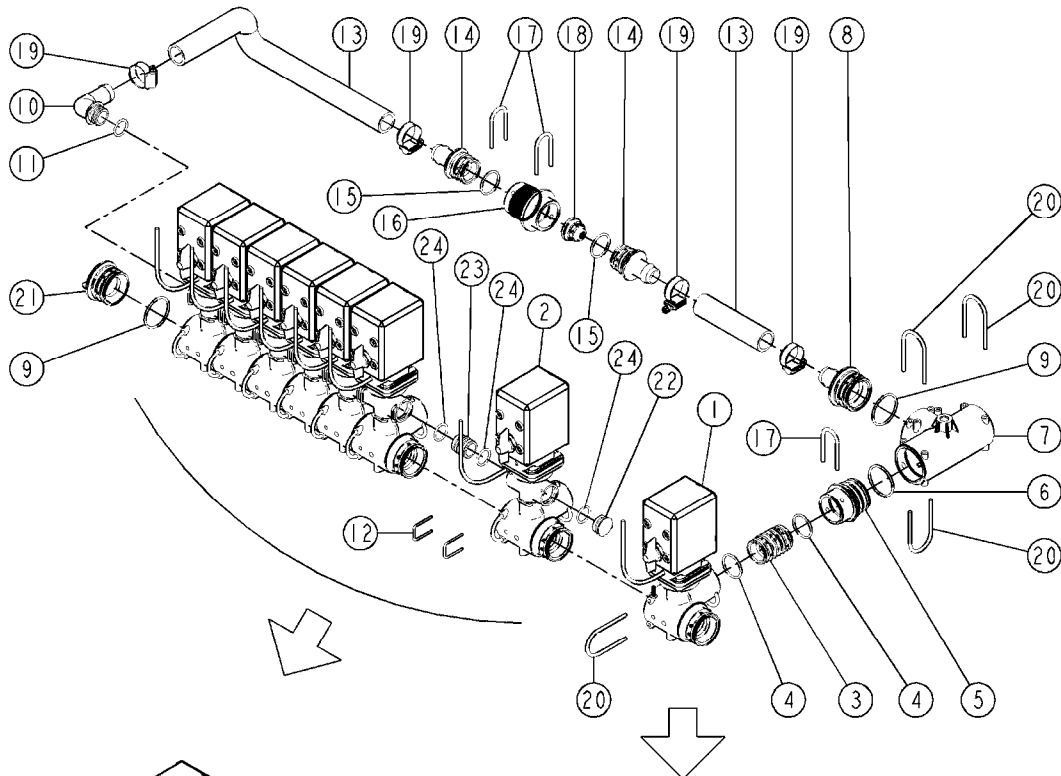
E020B



NOZZLES
E020B, 06:07:15

Page 1
Date 07.02.2020 7:59

parts-n°	order qty	description
24022901	1	GASKET D10X19 EP 3.2
242252	1	O-RING D10.0 X 3.0 NITRIL
334083	1	SNAP-FIT NOZZLE HOLDER SS BLCK
334182	1	SNAP-FIT NOZZLE HOLD.ALBUZ CO
334862	1	NOZZLE CAP TJBLACK F.ISO/INJET
725042	1	SCREEN 80 MESH W.GASKET, RED
725043	1	SCREEN 50 MESH W.GASKET,BLUE
725044	1	SCREEN 100 MESH W.GASKET,YELLO
725737	1	FILTER HOUSING W.GASKET



E057A



EFC2500 VALVES
E057A, 16:02:15

Page 1
Date 07.02.2020 7:59

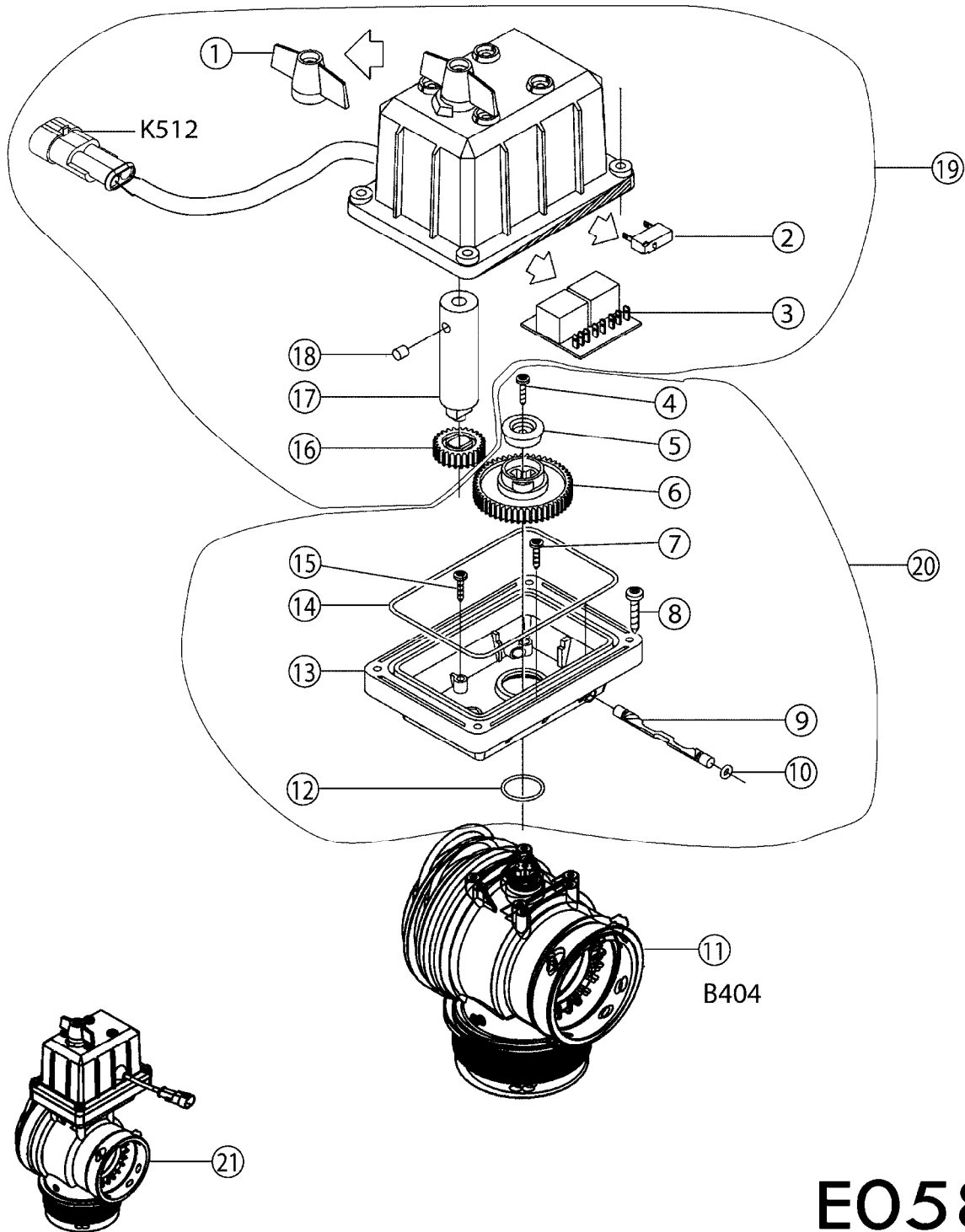
Pos.	parts-n°	order qty	description
1	72284000	1	BYPASS VALVE, EFC, 1:300
2	72233700	1	SECTION VALVE, EFC, 1:300
3	72114300	1	FITT. DK S-53 MALE MALE W.ORIN
4	242354	1	O-RING D32.2X3.0 VITON
5	334564	1	FITT.DK S-67 TO S-53 ADAPTER
5	242053	1	O-RING 3 X 44.2 90SH NITRIL
6	242053	1	O-RING 3 X 44.2 90SH NITRIL
7	322224	1	FITT.DK S-67 TEE
8	334231	1	FITT.DK S-67 STR.1"
8	242053	1	O-RING 3 X 44.2 90SH NITRIL
9	242053	1	O-RING 3 X 44.2 90SH NITRIL
10	333561	1	FITT.DK ELB.1" EC RETURN
11	240951	1	O-RING D21.2X3 NITRIL
12	270211	1	FITT.DK S25 FORK L=37.5
13	92738800	1	SUCTION SPIRAL HOSE 1'
14	726559	1	FITT DK. S-53 HB 1" W/O-RING
15	242354	1	O-RING D32.2X3.0 VITON
16	322103	1	FITT.DK S-53 BULKHEAD
17	145995	1	FITT.DK S-53 FORK
18	72132600	1	CHECK VALVE SUBASSEMBLY S53
19	288125	1	CLAMP 25-40/12 C7W4
20	145996	1	FITT.DK S-67 FORK
21	334250	1	FITT.DK S-67 PLUG
21	242053	1	O-RING 3 X 44.2 90SH NITRIL
22	333583	1	END PIECE FOR BYPASS
23	333594	1	CONNECTING PIECE F. BYPASS
24	240951	1	O-RING D21.2X3 NITRIL
25	72117300	1	MOTOR HOUS. HN/HCFS FORD 1:300 AF
26	241673	1	O-RING D22.1X1.6
27	33502400	1	DISTRIBUTION HOUSING EFC
28	44076200	1	SCREW WN5451 5X16 SS TORX
29	72591700	1	SPINDLE SECT.W/O CONS.PRESSURE
30	72267200	1	SPINDLE, BYPASS VALVE NCM
31	741822	1	SEAL KIT - 1 SECTION (05)
32	755726	1	O-RING KIT F.EC/ESC SEC.VALVE



3 WAY ELEC.VALVE AGIT.
-PRESSURE DILUTION
E058A, 25:05:11

Page 0

Date 07.02.2020 7:59



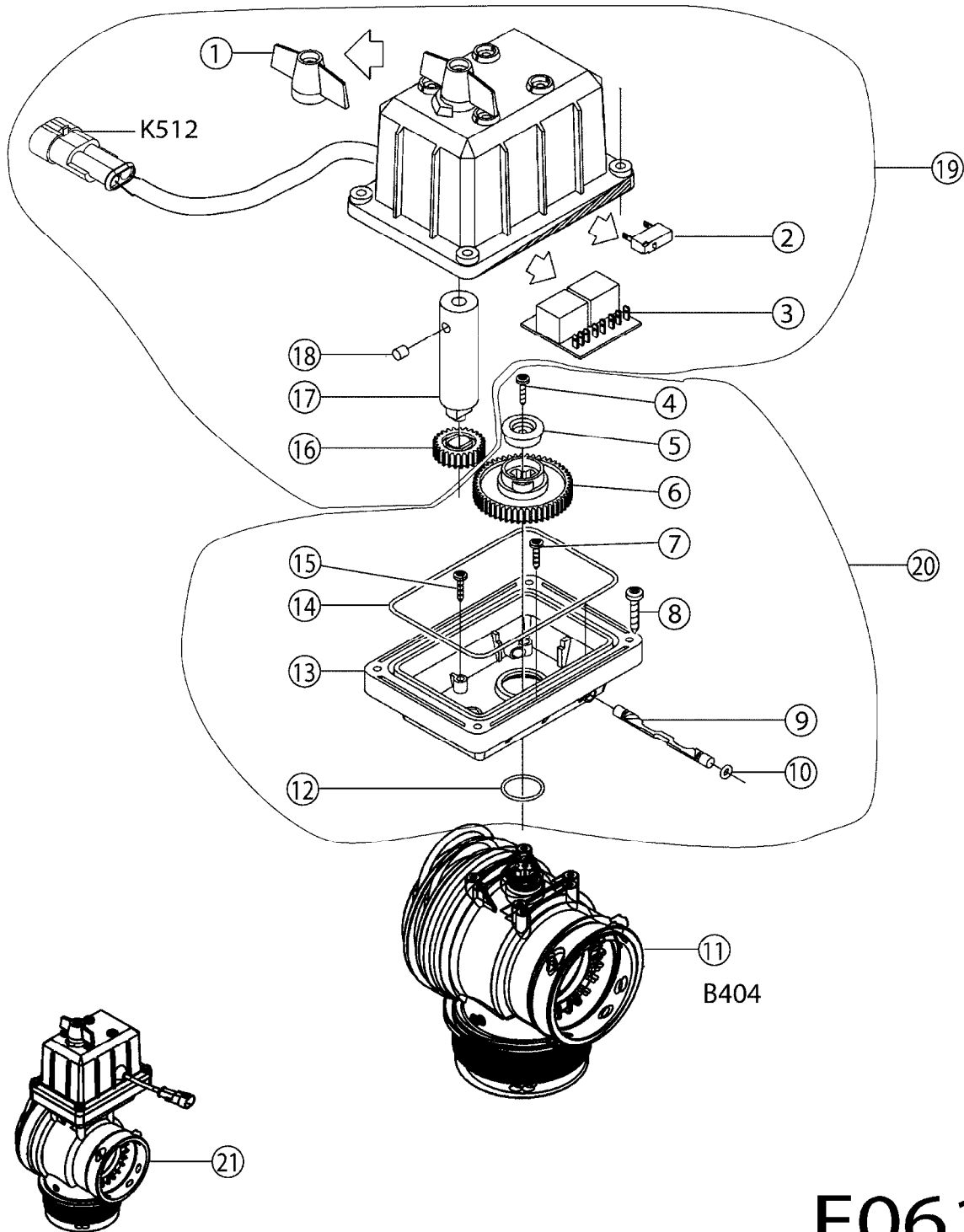
E058A



3 WAY ELEC.VALVE AGIT.
-PRESSURE DILUTION
E058A, 25:05:11

Page 1
Date 07.02.2020 7:59

Pos.	parts-n°	order qty	description
1	334552	1	GRIP F.MAN.OP.EC PRES.REG.GREE
2	72056800	1	CONSOLE PLATE W/SWITCH
3	730517	1	CIRCUIT BOARD CMPLT F.728724
4	440681	1	SCREW F. PLASTIC 4MM X 14LG SS
5	334598	1	PLUG F.VALVE HANDLE BLUE
6	14094700	1	COG Ø52 Z=50/M1
7	440628	1	SCREW 3/8'
8	440677	1	SCREW F. PLASTIC 5X20 SS
9	334134	1	INDICATOR ROD
10	241765	1	O-RING 3.1 X 1.6
11	72082200	1	VALVE 3 WAYS MANUAL Ø50 S93
12	242006	1	O-RING D22/D19 X 1.5
13	334130	1	GEAR BOX
14	614421	1	GASKET F/MOTOR HOUSE-ON/OFF TR
15	440683	1	SCREW 40X18 2WAY ELC.BALL VALV
16	14094600	1	STEEL PINON Z25
17	145846	1	COUPLING FOR EL 3-WAY VALVE
18	450928	1	SET SCREW M8 X 8MM STAINLESS
19	73257301	1	MOTOR 3-WAY VALVE
20	72616300	1	GEAR PARTS S67/S93 '09
21	841503	1	EC Valve 3 Ways Agitation



E061A



3 WAY VALVE SUCTION
DILUTION-FILLING
E061A, 25:05:11

Page 1
Date 07.02.2020 7:59

Pos.	parts-n°	order qty	description
1	334552	1	GRIP F.MAN.OP.EC PRES.REG.GREE
2	72056800	1	CONSOLE PLATE W/SWITCH
3	730517	1	CIRCUIT BOARD CMPLT F.728724
4	440681	1	SCREW F. PLASTIC 4MM X 14LG SS
5	334598	1	PLUG F.VALVE HANDLE BLUE
6	14094700	1	COG Ø52 Z=50/M1
7	440628	1	SCREW 3/8'
8	440677	1	SCREW F. PLASTIC 5X20 SS
9	334134	1	INDICATOR ROD
10	241765	1	O-RING 3.1 X 1.6
11	72082300	1	VALVE 3 WAYS MANUAL Ø50 S93
12	242006	1	O-RING D22/D19 X 1.5
13	334130	1	GEAR BOX
14	614421	1	GASKET F/MOTOR HOUSE-ON/OFF TR
15	440683	1	SCREW 40X18 2WAY ELC.BALL VALV
16	14094600	1	STEEL PINON Z25
17	145846	1	COUPLING FOR EL 3-WAY VALVE
18	450928	1	SET SCREW M8 X 8MM STAINLESS
19	73257301	1	MOTOR 3-WAY VALVE
20	72616300	1	GEAR PARTS S67/S93 '09
21	841505	1	ELECT VALVE 3W 2T SUCTION DILUTION



2" SUCTION NO-RETURN VALVE
E063A, 08:06:12

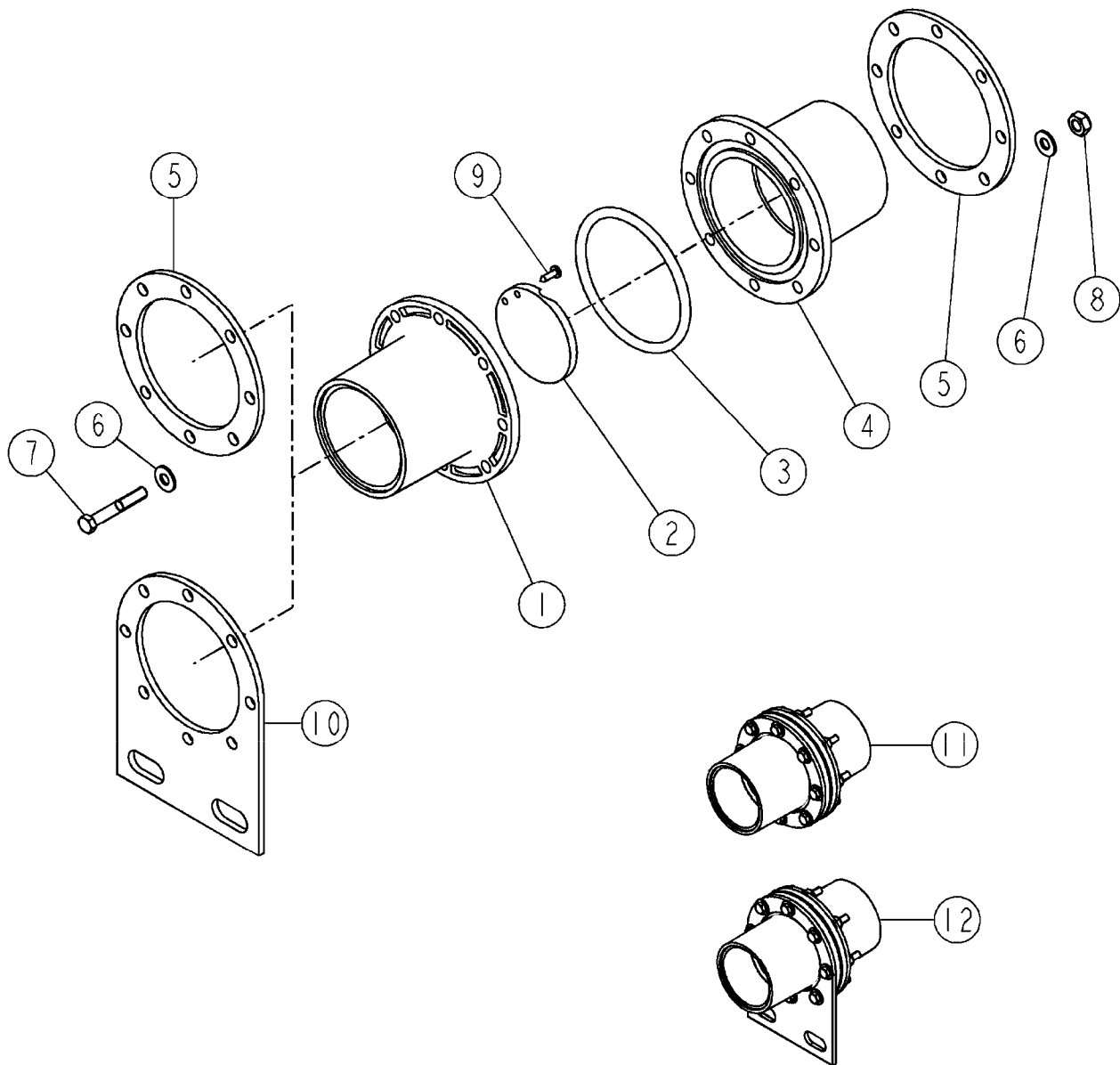
Page

0

Date

07.02.2020

7:59



E063A

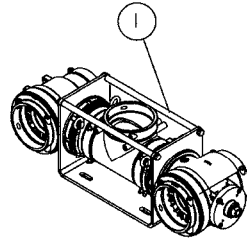
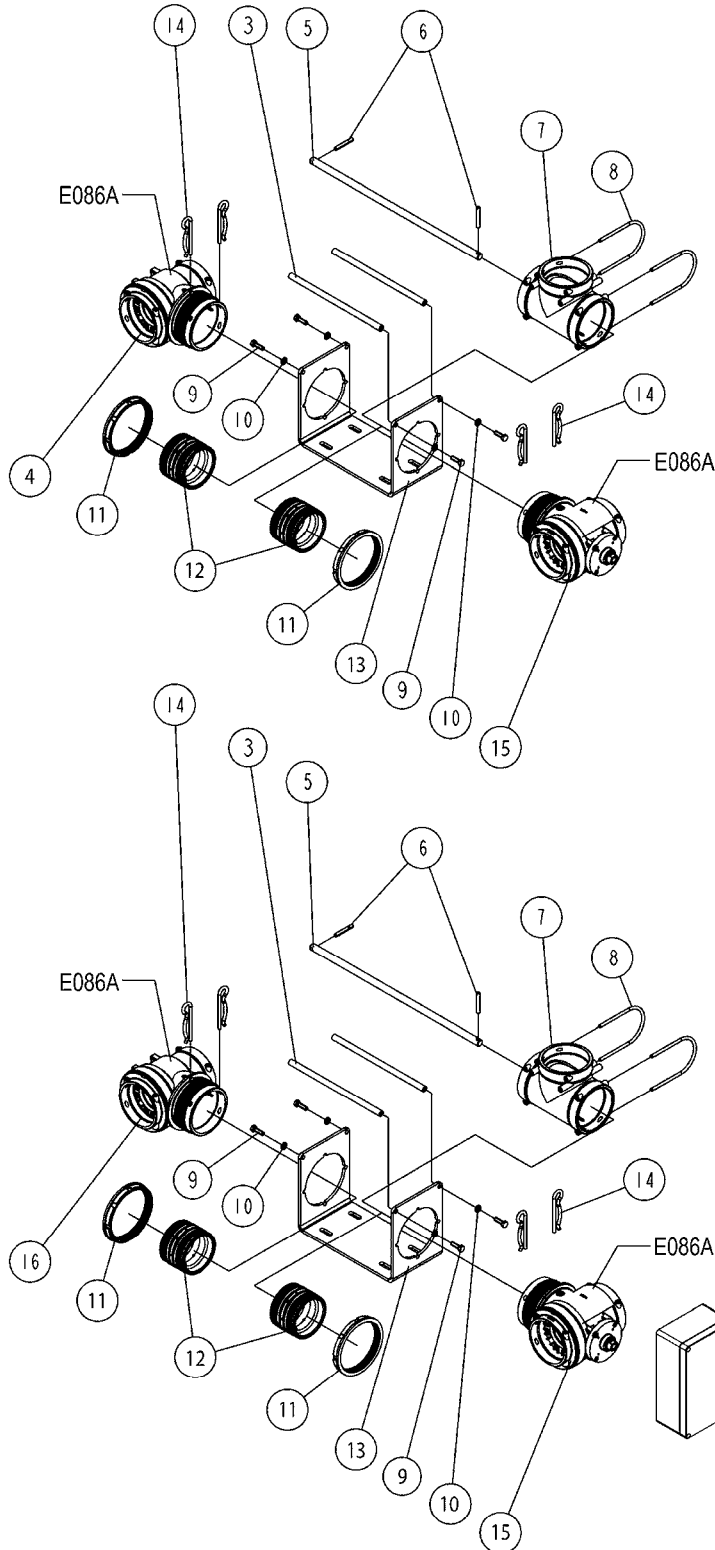


2" SUCTION NO-RETURN VALVE
E063A, 08:06:12

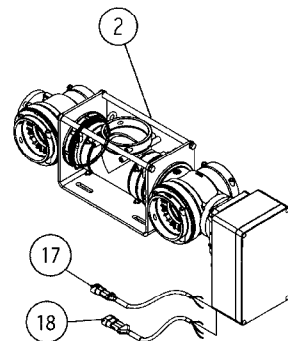
Page 1

Date 07.02.2020 7:59

Pos.	parts-n°	order qty	description
1	27009501	1	BRIDE G2" SIEGE MEMBRAN 54599
2	27009801	1	VALVE DIAPHRAGM 52440
3	24005001	1	O-RING 5.33 X 72.39 72NBR872
4	27009601	1	FLANGE G2" 54598
5	16429901	1	FLANGE G2" VALVE SUCTION ANTI-
6	471125	1	WASHER M6U 6.4X14X1.2,A2 SS
7	410686	1	BOLT HEX 8.8 DEL M6X30
7	418014	1	BOLT HEX M6X35/18 SS A2 DIN931
8	460261	1	NUT HEX M6X1.00 LOCK DIN985 A2 SS
9	448007	1	SCREW TCL N°6 X 12,7 A2 31942
10	16430001	1	SUPPORT CLAPET ASP 2" ANTI-RET
11	28015801	1	SUCTION NO RETURN VALVE BSP2" ALPHA
12	28015701	1	SUCTION NO RETURN VALVE BSP2" METEOR



S93 manual



S93 electric

E085A



MAN.& ELEC. S93 SMART VALVES
E085A, 04:06:15

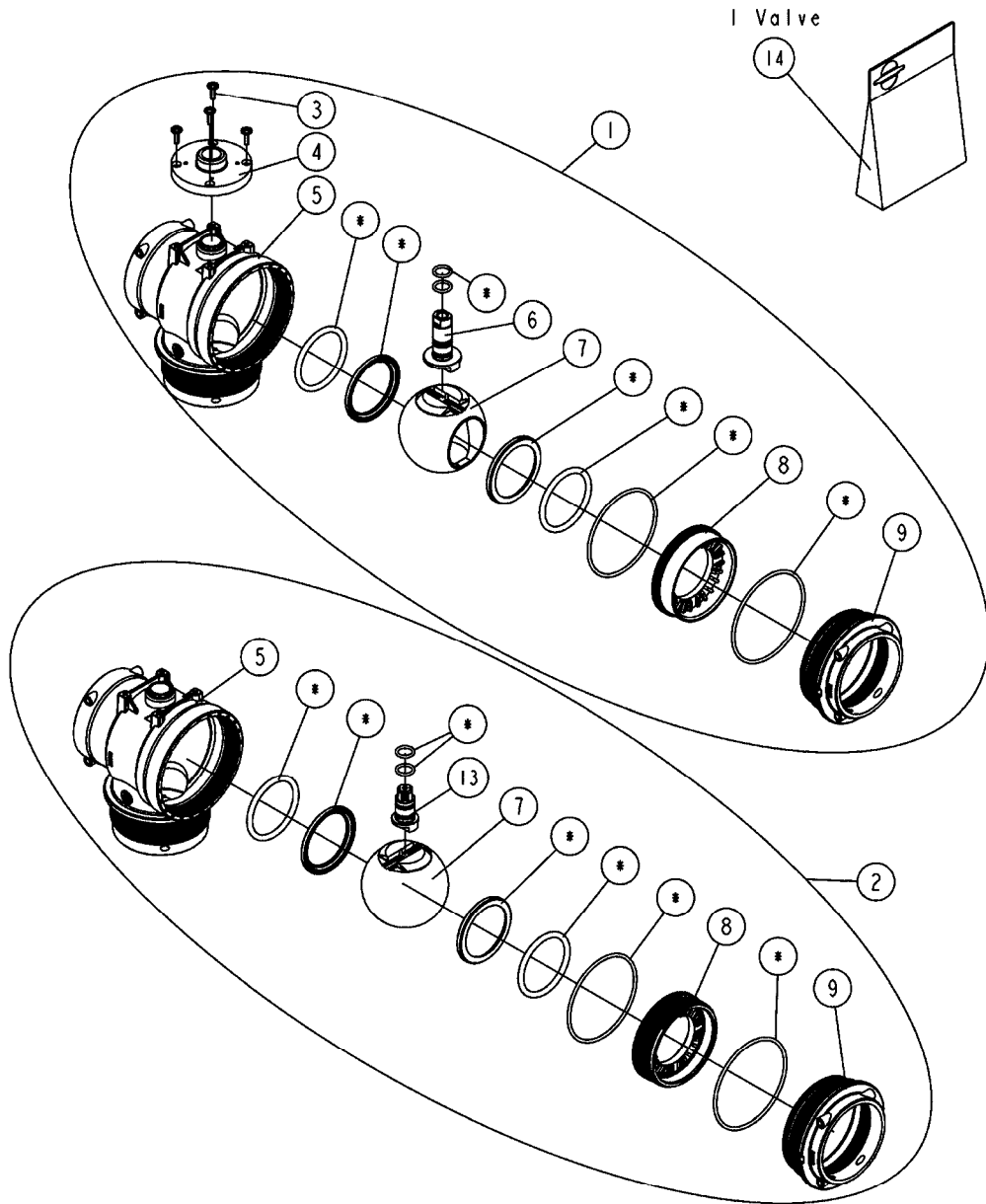
Page 1

Date 07.02.2020 7:59

Pos.	parts-n°	order qty	description
1	72512600	1	VALV.S93 SMART'V5'+ 'V8'OBAR 07
2	73182000	1	VALVE S93 SMART, V7+V8, W. MOTOR, ALPHA
3	14022700	1	SPACER TUBE Ø10 L=212 SS
4	72183500	1	VALVE S93 "V5" SMART 0 BAR
5	14068700	1	SPINDLE,SMART VALVE S67 10MM
6	480803	1	PIN Ø4 X 25
7	322224	1	FITT.DK S-67 TEE
8	145996	1	FITT.DK S-67 FORK
9	410362	1	BOLT HEX 8.8 SS M6X20
10	471125	1	WASHER M6U 6.4X14X1.2,A2 SS
11	322109	1	FITT.DK S-93 BULKHEAD NUT
12	728525	1	FITT. S93 CONNECTOR W/O-RINGS
13	16059900	1	BRACKET 2 STK S93 SMART VALVE
14	285791	1	HAIR PIN Ø5 S67/S93 SHORT
15	72512500	1	VALVE S93 OBAR'V8'SMART CROSS
16	72373100	1	VALVE S93 O BAR 'V7' SMART
17	26006800	1	CABLE L = 1.00M, AMP, FEMALE, 2P
18	26007300	1	CABLE L = 1.00M, AMP, FEMALE, 3P



S93 3 WAY VALVE
E086A, 05:06:15



E086A

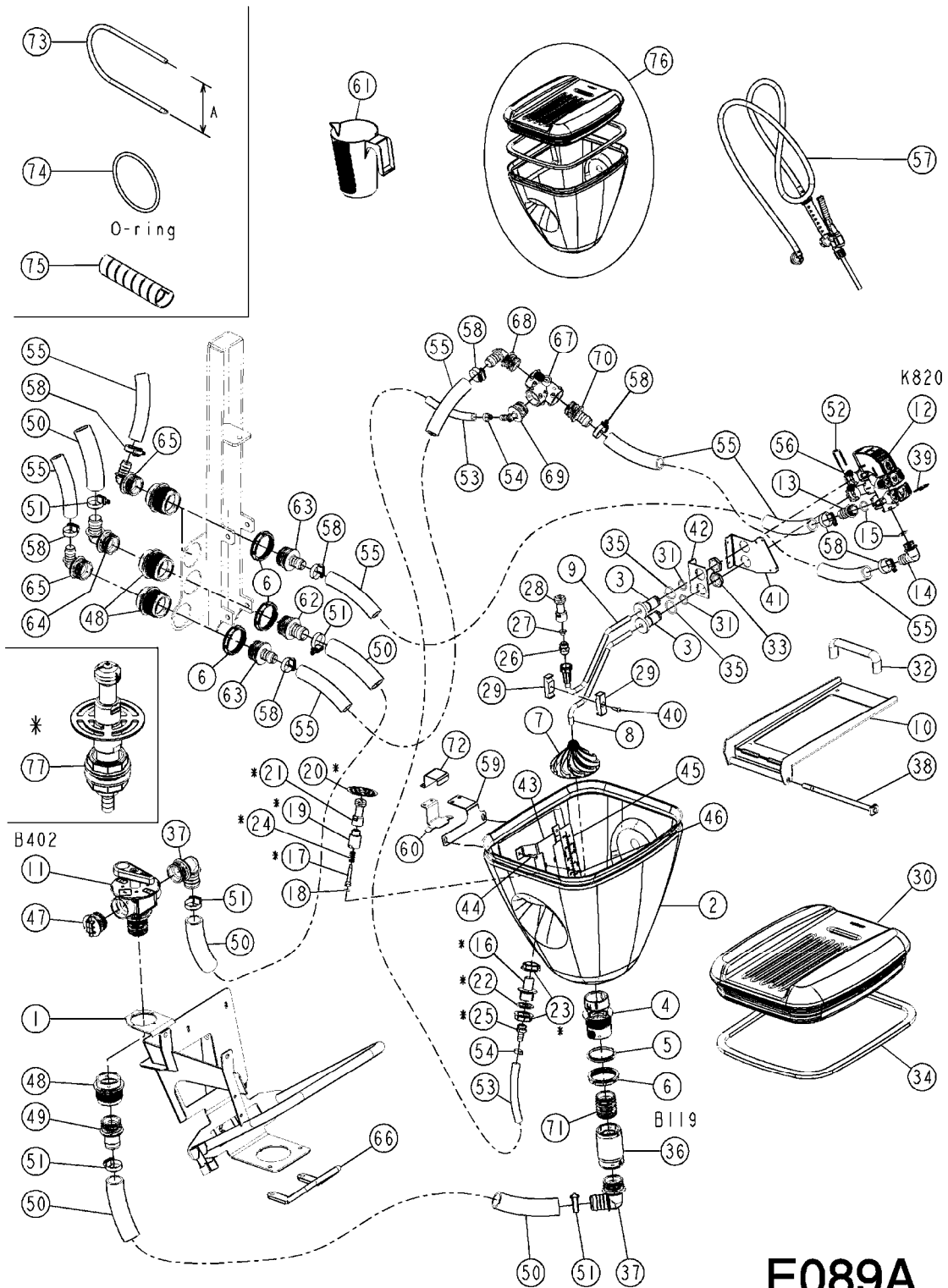


S93 3 WAY VALVE
E086A, 05:06:15

Page 1

Date 07.02.2020 7:59

Pos.	parts-n°	order qty	description
1	72512500	1	VALVE S93 OBAR'V8'SMART CROSS
2	72373100	1	VALVE S93 O BAR 'V7' SMART
3	440699	1	SCREW F. PLASTIC 4MM X12LG SS
4	391023	1	SMART VALVE MOUNTING BRACKET
5	322349	1	HOUSING F.3WAY VALVE-93 322327
6	14076000	1	SPINDLE S93 L81 CROSS M4 MS
7	391019	1	BALL F.2 WAY S93 SMART VALVE
8	322354	1	THRUST PLATE F.3-WAY VALVES-93
9	322218	1	END CAP F.VALVE S-93
13	14047500	1	SPINDLE S93 L32 NV14 M10 MS
14	741726	1	REPAIR KIT F.S93 VALVE VIT.'02



E089A



CHEM.FILLER 35L HC9500 ALPHA
E089A, 14:01:16

Page 1
Date 07.02.2020 7:59

Pos.	parts-n°	order qty	description
1	63049401	1	SUPPORT INCORPORATEUR 35L V2
2	358271	1	CHEMFILLER HOPPER 35L YELLOW
3	39001501	1	FITTING HOSE 12 TURBO FILLER 35
4	32237100	1	LEAD IN S67 CHECK VALVE
5	334261	1	GASKET F. S-67 BULKHEAD
6	322108	1	FITT.DK S-67 BULKHEAD NUT
7	33512400	1	FLUID ROTATOR D 128
8	15045501	1	FEEDING TUBE INC. 35L
9	63041301	1	TUBE RINSING + NUT
10	61024201	1	BRACKET COVER TURBOFILLER 35L
11	728391	1	VALVE S67 PRESSURE MANIFOLD
12	72548400	1	MANIFOLD S25 CHEMFILL RH
13	33513500	1	FITT.DK S-25 STR. 1"
14	333561	1	FITT.DK ELB.1" EC RETURN
15	240951	1	O-RING D21.2X3 NITRIL
16	14029501	1	DOUILLE INF VANNE PUSH INCORPO
17	14029601	1	INSERT VANNE PUSH INCORPORATEU
18	242252	1	O-RING D10.0 X 3.0 NITRIL
19	39014801	1	DOUILLE SUP VANNE RINCE BIDON
20	16725201	1	TANK RINSING PLATE
21	28018401	1	RINSE GAUGE NOZZLE PC/2F-36075
22	24022301	1	GASKET 33X45X3 G40004
23	28052801	1	NUT BSP1" 2052040
24	22002401	1	COMP. SPRING ØE15,24 L25,4 Ø1,5
25	39003401	1	HOSE TAIL BSP1/2" FORHOSE Ø12
26	320655	1	FITT.DK HN 1/2"-1/2" BSP
27	332076	1	CONE INSERT F. ALUMINUM LANCE
28	28018401	1	RINSE GAUGE NOZZLE PC/2F-36075
29	39003301	1	SUPPORT F. HOSE / HOPPER
30	358272	1	CHEMFILLER LID 35L YELLOW
31	BA30DD7135	1	O-RING 3X21.8
32	288688	1	HANDLE PP M643/180 B-M8
33	262107	1	NUT F. BULKHEAD CABLE GRAY
34	28084800	1	GASKET Ø415 W20 H10 NEOPRENE
35	BA30DN2954	1	O-RING 3.6X30.8
36	72819300	1	CHECK VALVE S67 2012 NO THREAD
37	334245	1	FITT.DK S-67 ELB. 1-1/2"RUBBER
38	61019001	1	PIN Ø12 L240 M12
39	270211	1	FITT.DK S25 FORK L=37.5
40	440392	1	SCREW 6.3 X 25.0 DIN7981C TORX
41	16487201	1	TURBOFILLER VALVE BRACKET
42	16493101	1	TURBOFILLER BRACKET
43	16552501	1	BRACKET F.HOPPER GAUGE
44	45002701	1	SCREW RL M6X25 SS A2 E25-129
45	16510501	1	TURBOFILLER 35L GAUGE
46	458063	1	SCREW CS M4-10A2 DIN84
47	334250	1	FITT.DK S-67 PLUG
48	726464	1	FITT.DK S-67 BULKHEAD W/GASKET
49	334444	1	FITT.DK S-67 STR.1-1/2" PVC
50	92739000	1	HOSE-SPIRAL SUCT-38MM 1-1/2"Ø8
51	288127	1	CLAMP 32/54/16 C8W4
52	14074100	1	FITT.DK S25 FORK L=45 + M3
53	927021	1	HOSE R X 60 BAR X 1/2 X 0012"
54	288231	1	HOSE CLAMP 19/8
55	927124	1	HOSE R X 60 BAR X 1 X 0012"
56	468056	1	NUT HEX M3-.5 DIN982 LOCK SS
57	72526700	1	PLAST.TRIGGER+HOSE+TUBE
58	288125	1	CLAMP 25-40/12 C7W4
59	16585001	1	SUPPORT PATTE MAINT INCORP ALP
60	16585101	1	LEG HOSE TURBOFILLER ALPHA
61	28030701	1	PITCHER DISPENSER GRADUATED 1 L

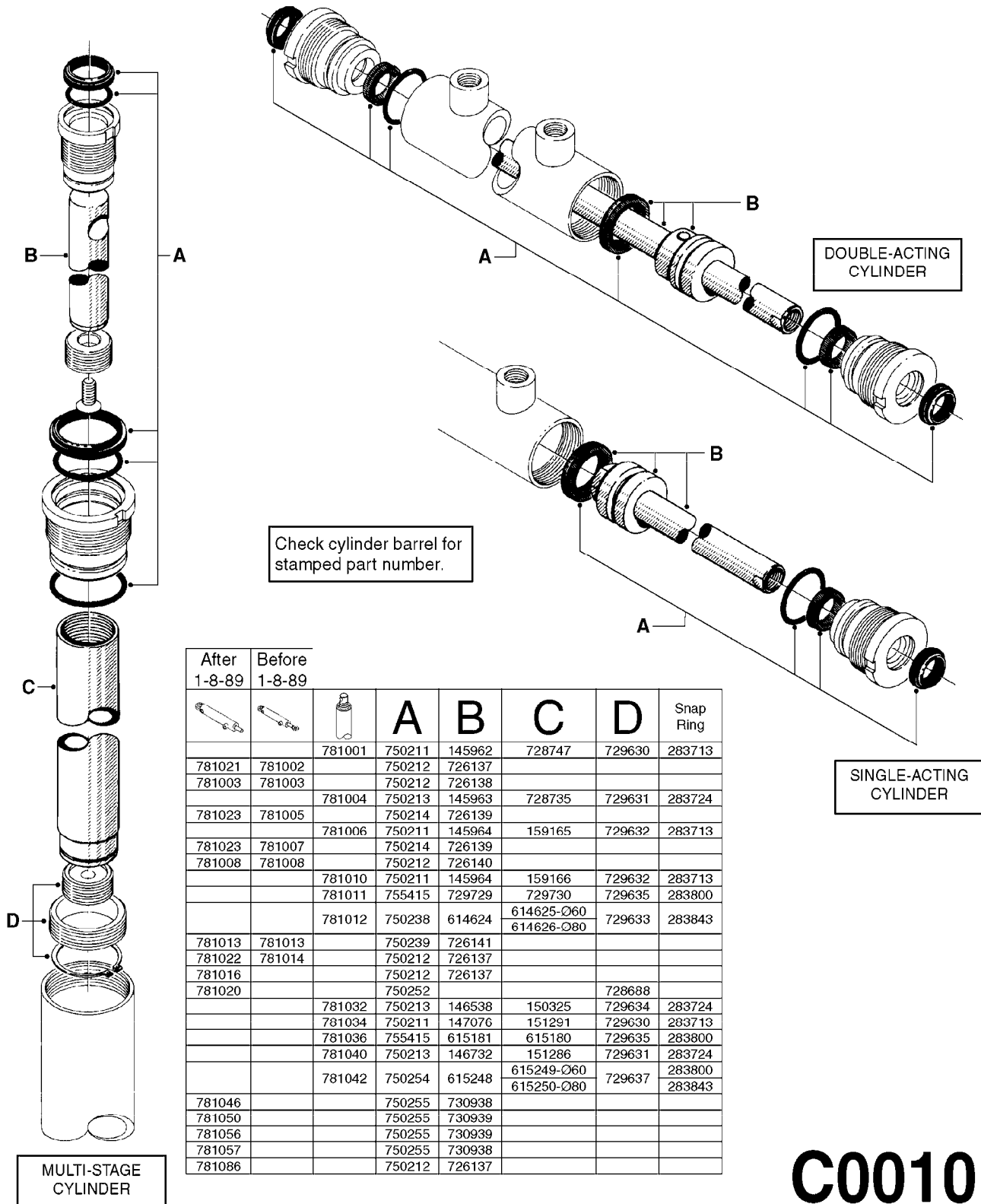


CHEM.FILLER 35L HC9500 ALPHA
E089A, 14:01:16

Page 2

Date 07.02.2020 7:59

Pos.	parts-n°	order qty	description
62	334232	1	FITT.DK S-67 STR.1-1/4"
63	334231	1	FITT.DK S-67 STR.1"
64	334244	1	FITT.DK S-67 ELB.1-1/4"
65	334243	1	FITT.DK S-67 ELB.1"
66	ZPOI0003AA	1	TURBOFILLER HANDLE
67	322352	1	FITT.DK S-53 TEE
68	726571	1	FITT.DK S-53 ELB.1", W ORING
69	726568	1	FITT.DK.S-53 HB 1/2"90 W/O-RING
70	726559	1	FITT DK. S-53 HB 1" W/O-RING
71	334573	1	FITT.DK S-67 CONNECTOR
72	16645101	1	LEG HOSE TURBOFILLER DF4 EVO
73	145995	1	FITT.DK S-53 FORK A=29mm
73	145996	1	FITT.DK S-67 FORK A=42mm
74	242354	1	O-RING D32.2X3.0 VITON S53
74	242053	1	O-RING 3 X 44.2 90SH NITRIL S67
75	288109	1	SPIRAL WRAP.GS16X2 Ø30 BLACK
76	35001201	1	HOPPER+LID+GASKET 35L YELLOW
77	76018401	1	PUSH VALVE KIT FOR MIXING UNIT



After 1-8-89	Before 1-8-89		A	B	C	D	Snap Ring	
			781001	750211	145962	728747	729630	283713
781021	781002			750212	726137			
781003	781003			750212	726138			
		781004	750213	145963		728735	729631	283724
781023	781005		750214	726139				
		781006	750211	145964	159165		729632	283713
781023	781007		750214	726139				
781008	781008		750212	726140				
		781010	750211	145964	159166		729632	283713
		781011	755415	729729	729730		729635	283800
		781012	750238	614624	614625-Ø60 614626-Ø80		729633	283843
781013	781013		750239	726141				
781022	781014		750212	726137				
781016			750212	726137				
781020			750252			728688		
		781032	750213	146538	150325	729634		283724
		781034	750211	147076	151291	729630		283713
		781036	755415	615181	615180	729635		283800
		781040	750213	146732	151286	729631		283724
		781042	750254	615248	615249-Ø60 615250-Ø80	729637		283800 283843
781046			750255	730938				
781050			750255	730939				
781056			750255	730939				
781057			750255	730938				
781086			750212	726137				

C0010



parts-n°	order qty	description
145962	1	VASTAGO PISTON D. 25 X 675
145963	1	PISTON ROD 30 X 768.5
145964	1	PISTON ROD 25 X 575
146538	1	PISTON ROD Ø60/50/30-1700
146732	1	CYLINDER ROD F. 781040 HYD CYL
147076	1	PISTON ROD 25 X 725
150325	1	INTER.SHAFT Ø50/40 L=930
151286	1	INTER. SHAFT F.781040 HYD CYL
151291	1	INTER.SHAFT Ø40/30 L=675.5
159165	1	INTER. SHAFT F. 781006 HYD CYL
159166	1	INTER. SHAFT F.781010 HYD CYL
283713	1	SNAP-RING OUTER 38X1.75
283724	1	SNAP-RING OUTER 48X1.75
283800	1	SNAP-RING 58X2
283843	1	SNAP-RING 78X2.5
614624	1	PISTON ROD D40X865
614625	1	PIPE INTERMEDIA D60X785
614626	1	PIPE INTERMEDIA D80X769
615180	1	INTER.SHAFT Ø60/50 L=918
615181	1	PISTON ROD Ø70/60/40-1687
615248	1	PISTON ROD Ø90/80/60/40-2250
615249	1	PISTON ROD Ø60/50 L=853
615250	1	PISTON ROD Ø80/70 L=829
726137	1	PISTON ROD F.781002 CYLINDER
726138	1	PISTON ROD F.781003 CYLINDER
726139	1	PISTON ROD F/CYLINDER
726140	1	PISTON ROD F.781008 CYLINDER
726141	1	PISTON ROD /PISTON PACKED
728735	1	CYLINDER TUBE W.STOP RING
728688	1	PISTON ROD/PISTON 50/30-300
728747	1	INNER CYL.W.STOP RING 781001
729630	1	PISTON RINGS F.781001,781034
729631	1	PISTON RINGS F.781004,781040
729632	1	PISTON RINGS F.781006,781010
729633	1	PISTON RINGS F.781012
729634	1	PISTON RINGS F.781032
729635	1	PISTON RINGS F.781036
729637	1	PISTON RINGS F.781042
729729	1	PISTON ROD ASSY. 40 x 760MM
729730	1	PISTON ROD W/SEAL & RING
730938	1	PISTON ROD ASSY. F.781046/57
730939	1	PISTON ROD ASSY. F. 781050/56
750211	1	SEAL KIT F/781001 & 781006
750212	1	SEAL KIT F.40/20 CYLINDER
750213	1	SEAL KIT F.60/50/30 CYLINDER
750214	1	SEAL KIT F.HY CYL.
750238	1	PACKING SET FOR HY CYL. 781012
750239	1	PACKING SET FOR HY CYL. 781013
750252	1	SEAL KIT F.HY CYL.781020
750254	1	SEAL KIT F.HY CYL.781042
750255	1	SEAL KIT F.40/22 CYLINDER
755415	1	SEAL KIT F.HY CYL.781011
781001	1	CYL.TELESOPING Ø50/40/25_1100
781002	1	CYL.DBL D40/20-300 (78122400)
781003	1	CYLINDER DOUBLE D40/20-180
781004	1	CYLINDER DOUB. D70/50/30-1300
781005	1	CYLINDER DOUBLE D50/25-300
781006	1	CYLINDER DOUB.D50/40/25-900
781007	1	CYLINDER LY/TY
781008	1	CYLINDER DOUBLE D40/20-120
781010	1	CYLINDER TELESC.50/40/25-700



HYDRAULICS - CYLINDERS
C0010-HIN, 01:01:16

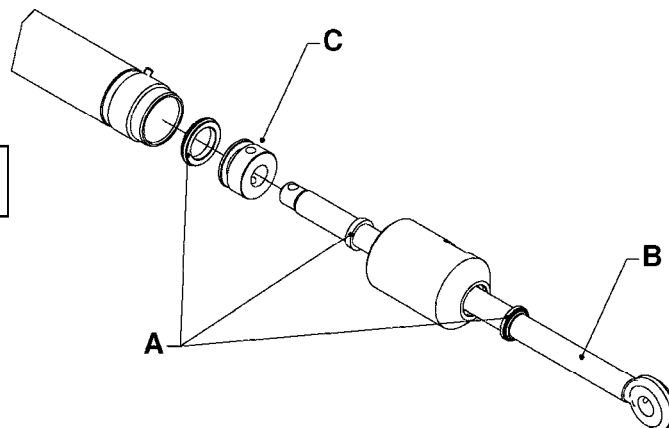
Page 2

Date 07.02.2020 7:59

parts-n°	order qty	description
781011	1	CYLINDER TELESC.70/60/40
781012	1	CYLINDER TEL.90/80/60/40-2100
781013	1	CYLINDER D40/20X310 THROUGH
781014	1	CYLINDER FOR 45 HY 60 HB TILT
781016	1	CYLINDER DOU.W/SIDE DET.D40/20
781020	1	CYLINDER DOUBLE D50/30-300
781021	1	CYLINDER 40/20 300MM
781022	1	CYLINDER 40/20 300MM
781023	1	CYL DOUB D50/25-300 781116
781032	1	CYLINDER TELESC.60/50/30-1700
781034	1	HY. CYLINDER D50/40/25 - 1200
781036	1	CYLINDER TELESC.70/60/40-1687
781040	1	CYLINDER 60/50/30 1100MM
781042	1	CYLINDER TEL.90/80/60/40-2250
781046	1	CYLINDER D40/22-300
781050	1	CYLINDER D40/22-300 EXT.THREAD
781056	1	CYLINDER 40/22X300MM
781057	1	CYLINDER D40/22X300MM
781086	1	CYLINDER DOUBLE Ø40/20-180



Check cylinder barrel for stamped part number.



		A	B	C
781030		750247	615030	146443
781031		750248	615040	146484
781033		750248	615174	146484
781035		750247	146610	146443
	781038	750247	615210	146443
781039		750250	615656	147254
	781041	750253	615232	146749
	781043	750251	615210	146858
781044		750248	615316	146484
781045		750273	615358	146443
	781047	750251	615363	146858
	781051	750273	615570	146443
781052		750273	147127	146443
781053		750273	147151	146443
781058		750251	615643	146858
781060		750250	615656	147254
781065		750273	147127	146443
781067		755695	147468	147469
781078		750251	615643	146858
781080		750247	147601	146443
781083		755697	616065	147463
781084		750247	616070	146443
781087		750689	147127	146858
781090		750669	61003600	14005600

		A	B	C
781093		750693	14018900	14022200
781096		750691	61025200	14015500
781097		750691	61022800	14015500
781100		750692	14022400	14038500
781107		750713	14028900	14024100
781109		750713	14029100	14024100
781111		750713	14029100	14024100
781113		750714	61028900	14038400
781115		750709	61029200	14029700
781116		750712	14030200	14038400
781118		750710	14030600	14029700
781119		750710	14030700	14029700
781121		750711	14030900	14029700
781122		750711	14030900	14029700
781123		750711	14031100	14029700
781124		750711	14031100	14029700
781126		750710	14036200	
781127		750709	61033600	
781130		750715	61031000	14027500
781132		750668	63039300	
781138		750715	61038000	14027500
781139		750725	615656	
781141		750724	61022800	
78100003		750691	61022800	14008203

C0020



parts-n°	order qty	description
146443	1	HYDR.PISTON D49.8/23.0 L=35
146484	1	HYDR.PISTON D39.8/18.0 L=25
146610	1	PISTON ARM F.CYL Ø50/25-150
146749	1	PISTON RING F.D70/50-700
146858	1	HYDR.PISTON D59.8/23.0 L=35
147127	1	PISTON BAR Ø30,0 - 385MM
147151	1	PISTON BAR D30.0 - 585MM
147254	1	HYDR.PISTON D25/12 L=12
147463	1	PISTON RING F.D70/40
147468	1	ROD CYLINDER F. 781067 HYD CYL
147469	1	PISTON F. 781067 HYD CYL
147601	1	PISTON ARM F. CYL. Ø25 L=348
615030	1	PISTON ARM F.CYL Ø50/25-300
615040	1	PISTON ARM F.CYL Ø40/20-120
615174	1	PISTON ROD F. HY CYLINDER
615210	1	HINGE PIN W.FORK L=1015
615232	1	PISTON ARM F.CYL Ø70/50-700
615316	1	PISTON ARM F. CYL. D40/20-500
615358	1	PISTON ARM F.CYL Ø50/30-500
615363	1	PISTON ARM F.CYL Ø25 L=1315
615570	1	CYLINDER ROD F.HY CYL.781051
615643	1	PISTON BAR 060-25 - 830MM
615656	1	PISTON BAR FOR 025/12-50
616065	1	PISTON ARM F. CYL. Ø40/400
616070	1	PIST ARM Ø50/25L=300alt781113
750247	1	SEAL KIT F.HY CYL.781030/35/38
750248	1	SEAL KIT F.HY CYL.781031/33
750250	1	SEAL KIT F.HY CYL.781039
750251	1	SEAL KIT F.HY CYL.
750253	1	SEAL KIT F.HY CYL.781041
750273	1	GASKET SET F.HY-CYL 781051-52
750668	1	SEAL KIT F.HY DAMPER 781089
750669	1	SEAL KIT F.HY CYL. 781090
750689	1	SEAL KIT F.HY CYL.781087
750691	1	SEAL KIT F HY CYL.781095/96/97
750692	1	SEAL KIT F.HY CYL.781100
750693	1	SEAL KIT F.HY CYL.781093
750709	1	GASKET SET F.781115/25
750710	1	SEAL KIT F.HY CYL.781118/19/20
750711	1	SEAL KIT F.781121/22/23/24
750712	1	SEAL KIT F.781116
750713	1	SEAL KIT F HY CYL.781103/6/7/8
750714	1	SEAL KIT F.HY CYL.781113/14/17
750715	1	SEAL KIT F.HY CYL.781105/30/38
750724	1	SEAL KIT F.HY CYL.781141
750725	1	SEAL KIT F.HY CYL.781131-39
755695	1	SEAL KIT F. HYD CYL 781067
755697	1	SEAL KIT F.HY CYL.781083
781030	1	CYLINDER DOUBLE Ø50/25-300
781031	1	CYLINDER DOUBLE Ø40/20-120
781033	1	CYLINDER DOB Ø40/20-300 781115
781035	1	CYLINDER DOUBLE Ø50/25-150
781038	1	CYLINDER Ø50/25-900
781039	1	CYL D25/12-50 172MM alt 781139
781041	1	CYLINDER DOUBLE Ø70/50-700
781043	1	CYLINDER DOUBLE D60/25-900
781044	1	CYLINDER DOUBLE D40/20-300
781045	1	CYLINDER DOUBLE Ø50/30-500
781047	1	CYLINDER Ø60/25-1200
781051	1	CYLINDER DOUBLE Ø50/30-600
781052	1	SUBSTITUTE 78121600



parts-n°	order qty	description
781053	1	CYL F INN WING FLD alt 781107
781058	1	CYLINDER 60/25 X 725 CM PAR LH
781060	1	CYLINDER D25/12-50 L=210mm
781065	1	CYLINDER F.WING TILT
781067	1	CYL DOUB D50/30-300 78121600
781078	1	CYLINDER 60/25 X 725 CM PAR RH
781080	1	CYLINDER DOUBLE D50/25-250
781083	1	CYLINDER DOUBLE D70/40-400
781084	1	CYLINDER D50/25 L=300
781087	1	CYL DOUB 60/30-300 alt 781100
781090	1	CYL DBLD32/16-200W
781093	1	CYLINDER FOLD SPC D60/30 L=300
781096	1	CYLINDER 60/25 X 662 NAV PAR
781097	1	CYLINDER 60/25 X 725 CM PAR
781100	1	CYLINDER DOUBLE 60/30-300
781107	1	DOBCYL50/30-500/M24X2 78121200
781109	1	DOUBLE CYLINDER D 50/30-300
781111	1	CYL DOUB D50/30-300 78121600
781113	1	CYLINDER D50/25 L=300
781115	1	CYLINDER DOUBLE Ø40/20-300
781116	1	CYLINDER DOUBLE D50/25-298
781118	1	CYLINDER DOUBLE D40/20-180
781119	1	DOUBLE CYLINDER D 40/20-300
781121	1	CYLINDER D40/22-300 BLACK
781122	1	CYLINDER D40/22X300MM RED
781123	1	CYLINDER D40/22-300 BLACK
781124	1	CYLINDER 40/22X300MM RED
781126	1	CYLINDER DOUBLE D40/20-120
781127	1	CYLINDER D40/20-120
781130	1	CYLINDER DOUBL. D70/40-320
781132	1	CYL.STAB CM1200 04 78126000
781138	1	CYLINDER DOUBL. D70/40-265
781139	1	CYLINDER D25/12-50
781141	1	CYLINDER 60/25 X 635 DELTA PAR
14005600	1	HYDR.PISTON D32.0/16.0 L=25
14008203	1	HYD. CYLINDER PISTON CM+750
14015500	1	HYDR.PISTON D60.0/25.0 L=40
14018900	1	PISTON ARM F. CYL. Ø30 L=420
14022200	1	HYDR.PISTON D59.4/20.0 L=34.9
14022400	1	PISTON ARM F. CYL. Ø60 L=412
14024100	1	HYDR.PISTON D49.4/20.0 L=35
14027500	1	HYDR.PISTON D69.4/24.0 L=35
14028900	1	CYLINDER ROD D30.0 L=609.0
14029100	1	CYLINDER ROD D30.0 L=409.0
14029700	1	HYDR.PISTON D38.0/16.0 L=25
14030200	1	CYLINDER ROD D25.0 L=398
14030600	1	CYLINDER ROD D20.0 L=281.0
14030700	1	CYLINDER ROD D20.0 L=401
14030900	1	CYLINDER ROD D22.0 L=401
14031100	1	CYLINDER ROD D22.0 L=439/M22
14036200	1	CYLINDER ROD D20.0 L=221.0
14038400	1	HYDR.PISTON D49.4/20.0 L=34.9
14038500	1	PISTON HYD. CYL. Ø60/Ø25
61003600	1	CYLINDER ROD F. 781090
61022800	1	PISTON ARM F.CYL.Ø60/25L=856.5
61025200	1	PISTON ARM F.CYL.Ø60/25L=786.5
61028900	1	PISTON ARM F.CYL.Ø50/25-300
61029200	1	PISTON ARM F.CYL.Ø40/20-300
61031000	1	CYLINDER ROD FOR D70/40 - 320
61033600	1	PISTON ARM F.CYL.Ø40/20 L=120
61038000	1	CYLINDER ROD FOR D70/40



HYDRAULICS - CYLINDERS
C0020-HIN, 01:01:16

Page 3

Date 07.02.2020 7:59

parts-n°	order qty	description
63039300 78100003	1 1	CYLINDER ROD F.781132 CYL. PARA-LIFT CM+750 W/STOP



HYD TWIN SOLENOID VALVE
C0450-HIN, 30:03:16

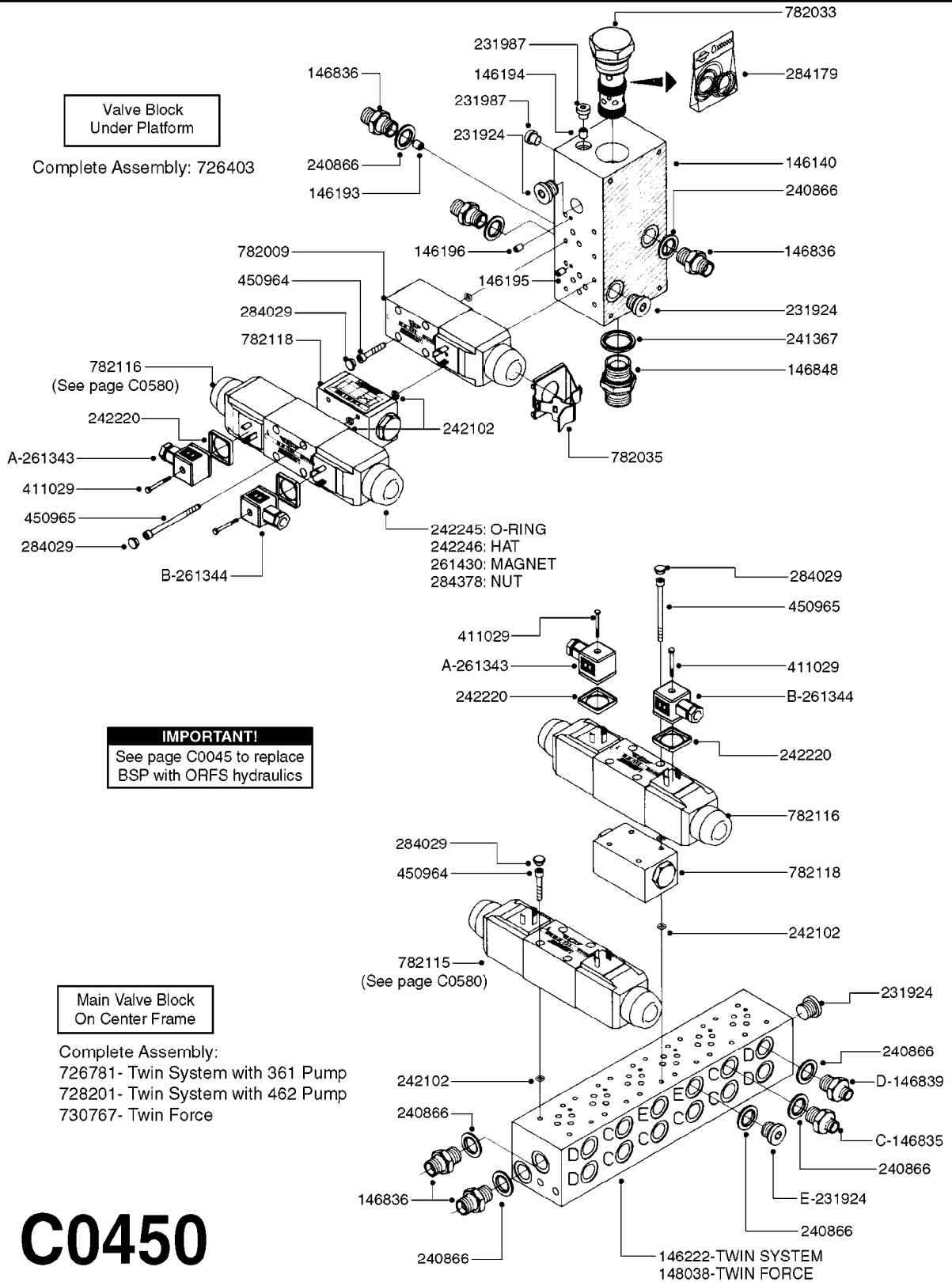
Page

0

Date

07.02.2020

7:59



C0450

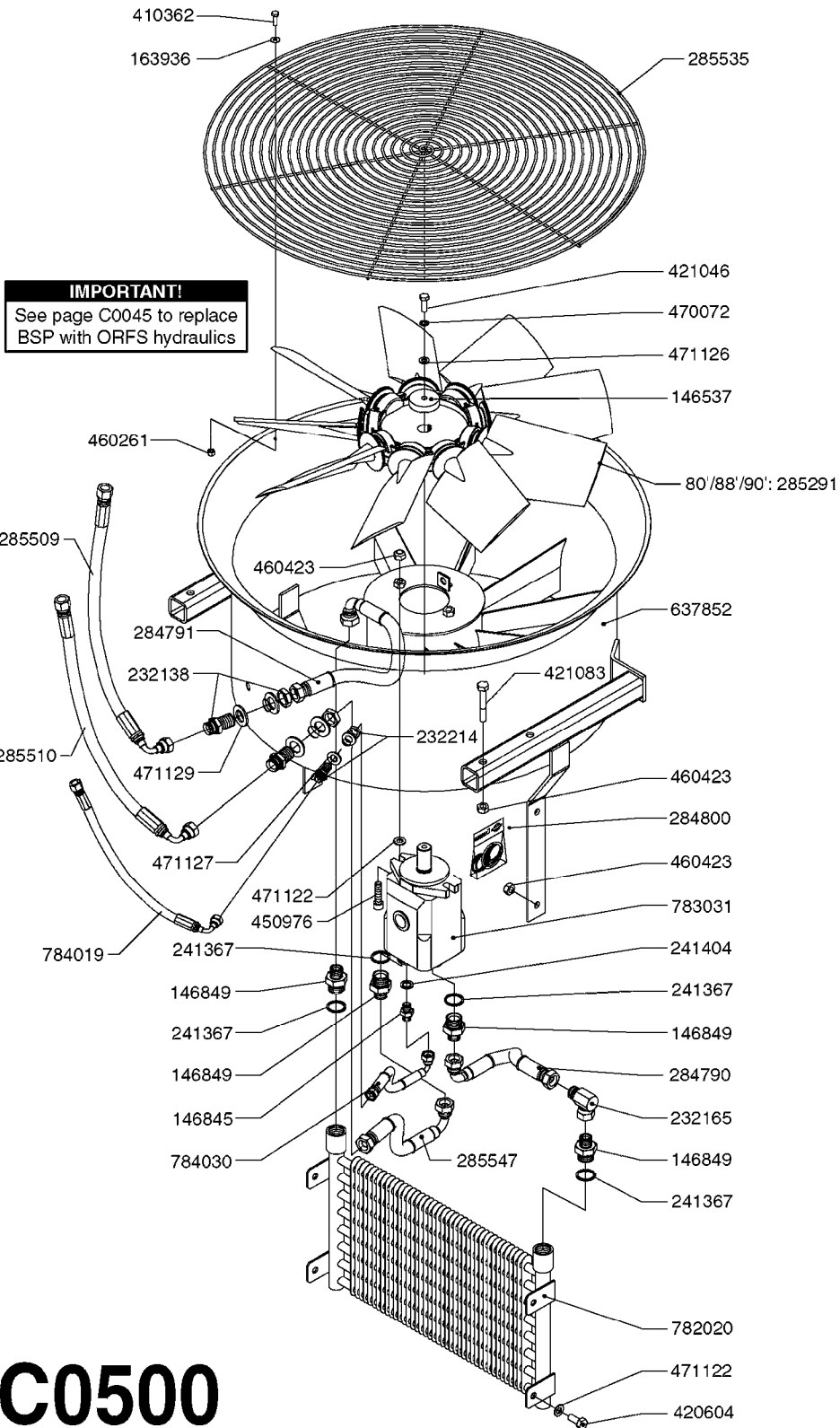


HYD TWIN SOLENOID VALVE
C0450-HIN, 30:03:16

Page 1

Date 07.02.2020 7:59

parts-n°	order qty	description
146140	1	MANIFOLD BLOCK
146193	1	NOZZLE D.2 M8X10
146194	1	NOZZLE D.8 M8X10
146195	1	NOZZLE D.2 M6X10
146196	1	NOZZLE D.8 M6X10
146222	1	MANIFOLD BLOCK
146835	1	HEX NIPPLE 1/4" - 3/8" BSP
146836	1	HEX NIPPLE 3/8"X3/8" BSP
146839	1	HEX NIPPLE 1/4"X3/8" BSP 0.7MM
146848	1	HEX. NIPPLE 3/4"BSP X 3/4"BSP
148038	1	MANIFOLD BLOCK F.HYD/6
231924	1	PLUG 3/8'
231987	1	PLUG 1/8' BSP W/GASKET
240866	1	DOWTYSEAL 3/8"
241367	1	DOWTYSEAL 28.5x22
242102	1	O-RING Ø9.25X1.78 NITRIL 90SH
242220	1	GASKET F. HIRSMANN PLUG
242245	1	O-RING F. VICKERS VLVE MAGNET
242246	1	BOOT F. VICKERS SOLENOID VALVE
261343	1	HIRSCHMANN PLUG 'A'
261344	1	HIRSCHMANN PLUG B
261430	1	MAGNET F.VICKERS SOLENOID NLA
284029	1	COVER PLUS D10.5/12.0X5.0
284179	1	GASKET SET F/CARTRIDGE VALVE
284378	1	NUT F. VICKERS SOLENOID VALVE
411029	1	SCREW M3X35 F.HIRSMANN PLUG
450964	1	SCREW M5X30 F.CYLINDER
450965	1	SCREW ROUND M5X70
726403	1	MANIFOLD BLOCK COUPLING
726781	1	MANIFOLD BLOCK TA-HAC/361
728201	1	MANIFOLD BLOCK TA-HAC/462
730767	1	HY.BLOCK COMPLETE TF HAZ
782009	1	MAGNET.VALVE DG4V-3-OB-A-MUG7-
782033	1	CART.VALVE C16-210 FLOW+RELIEF
782035	1	LOCK FOR HY VALVE
782115	1	HY SOLENOID VALVE DH HYD
782116	1	HY SOLENOID VALVE MD1L-S3/10N-D12K1/P
782118	1	LOCK VALVE MVPP-D



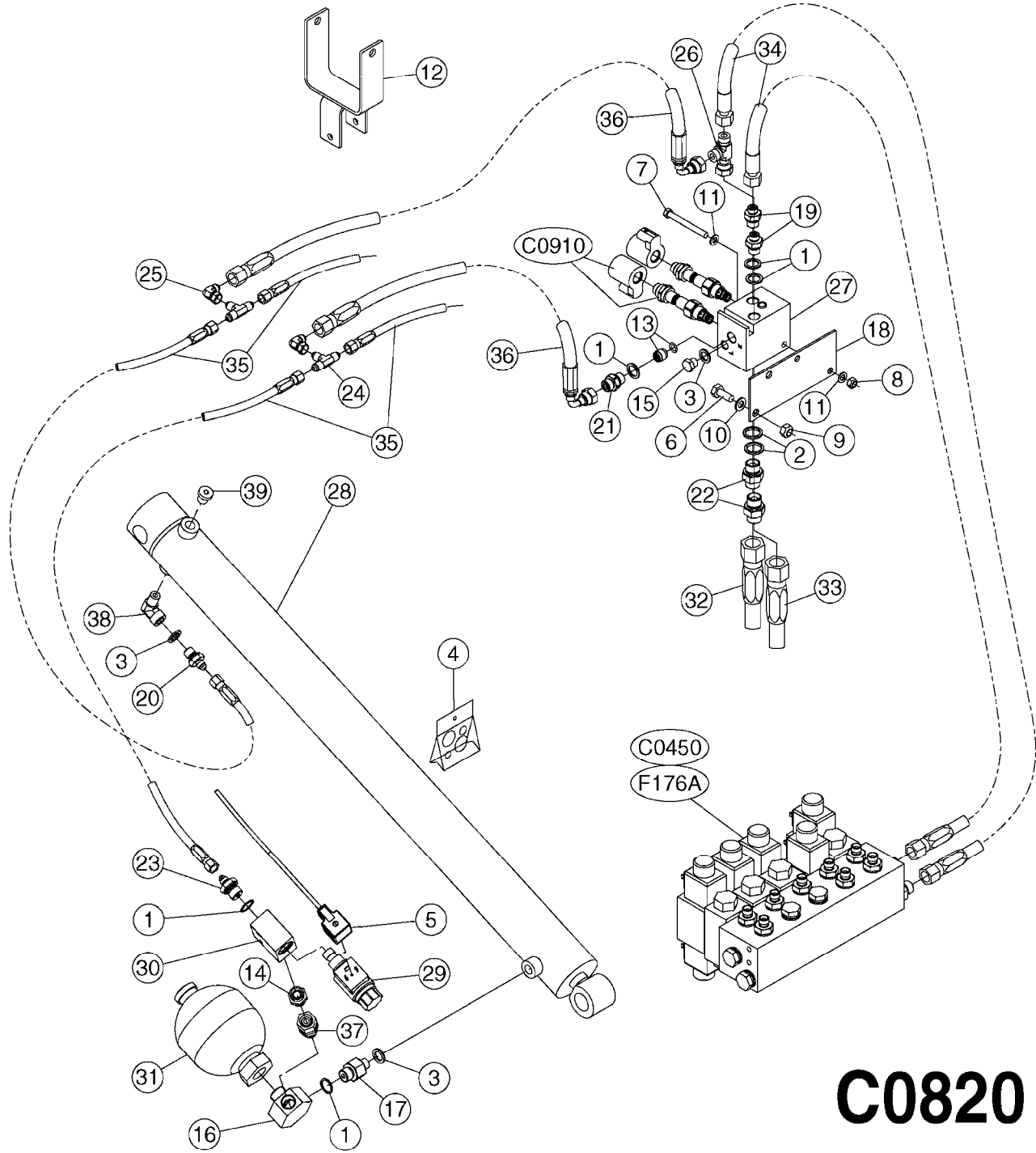
C0500



HYD TWIN FORCE FAN HAZ
C0500-HIN, 30:03:16

Page 1
Date 07.02.2020 7:59

parts-n°	order qty	description
146537	1	BUSHING D50/D40X12MM
146845	1	HEX NIPPLE 1/4"X1/4"
146849	1	HEX. NIPPLE 3/4"BSP X 1/2"BSP
163936	1	WASHER D15/D6.2X1
232138	1	HEX NIPPLE W/NUT 1/2"
232165	1	HY.ELBOW 1/2" BSP SWIVEL
232214	1	NIPPLE 1/4" W.U. NUT DEL
241367	1	DOWTYSEAL 28.5x22
241404	1	DOWTY SEAL 1/4"
284790	1	HOSE HY X 1/2 X 15.75"STR+ELB
284791	1	HOSE HY X 1/2 X 21.5"STR+ELB
284800	1	GASKET SET F.HYMOTOR M4MF11-28
285291	1	FAN BLADE F.TWIN FORCE 80'-90'
285509	1	HOSE HY X 1/2 X 78.75"STR+ELB
285510	1	HOSE HY X 1/2 X 82.5"STR+ELB
285535	1	GUARD FOR TWIN FORCE FAN HAZ
285547	1	HOSE HY X 1/2" X 15" STR+ELB
410362	1	BOLT HEX 8.8 SS M6X20
420604	1	BOLT HEX 8.8 DEL M10X25 FT DIN933
421046	1	BOLT HEX M8X25/25 A2 SS DIN933
421083	1	BOLT HEX 8.8 DEL M10X65
450976	1	BOLT M10X50 F.TWIN ARM YOKE
460261	1	NUT HEX M6X1.00 LOCK DIN985 A2 SS
460423	1	NUT HEX M10X1.50 LOCK DIN985A2 SS
470072	1	WASHER D15/D8X.5 LOCK
471122	1	WASHER, M10, Ø20/10.5X 2.0, SS
471126	1	WASHER, M8, Ø16/ 8.4X 1.6, SS
471127	1	WASHER, M12, Ø24/13X24X2.5 SS
471129	1	WASHER, M20, Ø37/21.0X 3.0, SS
637852	1	FAN HOUSING F.TWIN FORCE
782020	1	RADIATOR ELEMENT 2KW TYPE R6
783031	1	HYDRAULIC MOTOR FAN HAZ
784019	1	HOSE HY X 1/4 X 078.75"STR+ELB
784030	1	HOSE HY X 1/4" X 13.75"STR+ELB



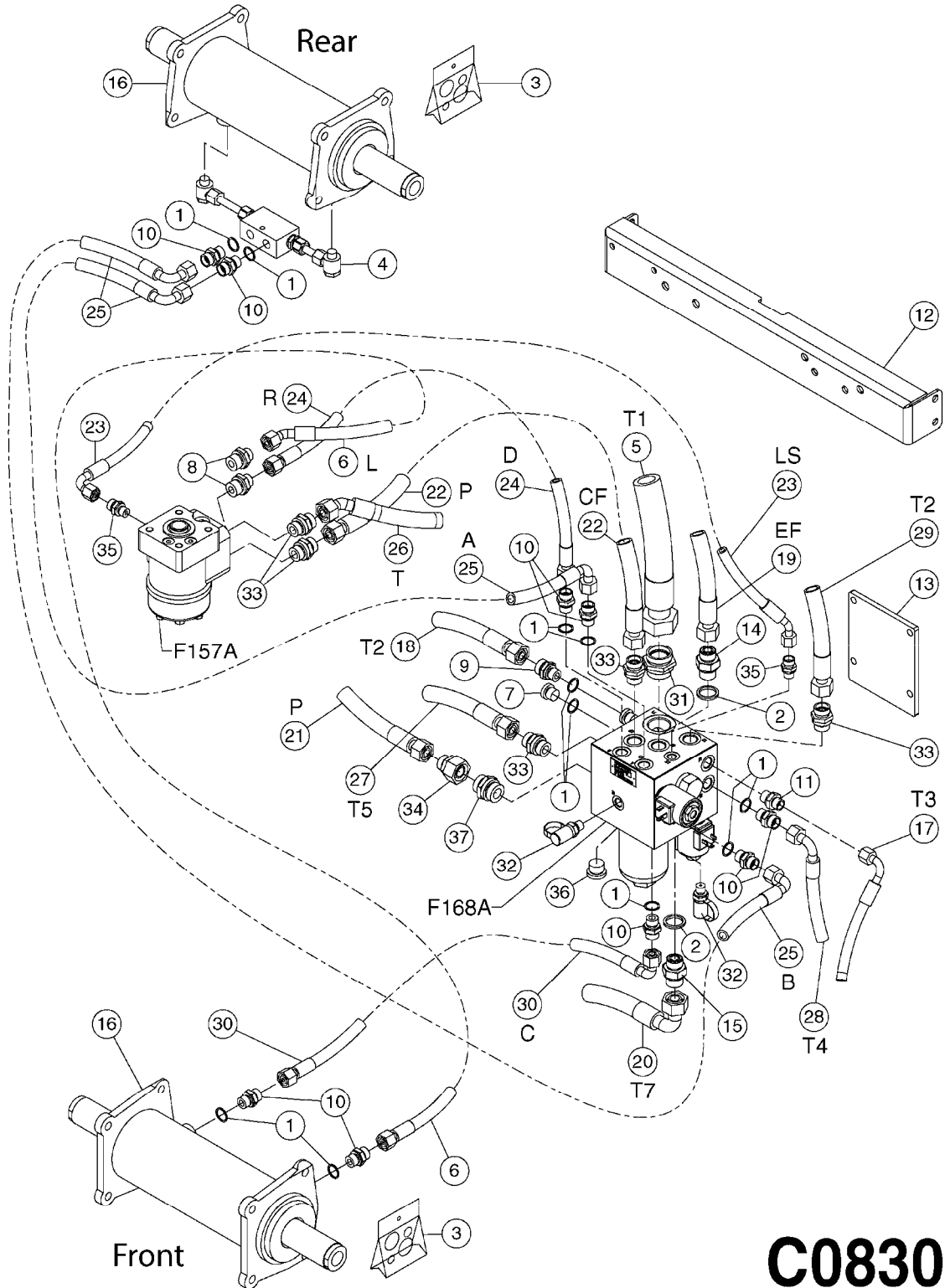
C0820



HYD. PARALIFT HAZ ALPHA
C0820-HIN, 14:05:19

Page 1
Date 07.02.2020 7:59

Pos.	parts-n°	order qty	description
1	240866	1	DOWTYSEAL 3/8"
2	241356	1	DOWTYSEAL 1/2"
3	241404	1	DOWTY SEAL 1/4"
4	248334	1	SEAL KIT FOR HYDR. RAM F.ALPHA
4	24013401	1	SEAL KIT FOR CYLINDER 78102801
5	268442	1	CABLE 2X0.75 ² 10M 247556
6	420604	1	BOLT HEX 8.8 DEL M10X25 FT DIN933
7	421255	1	BOLT HEX 8.8 SS M8X75
8	460143	1	SELF LOCK NUT M8 SST A2 DIN985
9	460423	1	NUT HEX M10X1.50 LOCK DIN985A2 SS
10	471122	1	WASHER, M10, Ø20/10.5X 2.0, SS
11	471126	1	WASHER, M8, Ø16/ 8.4X 1.6, SS
12	618479	1	FEEDHOSE SUPPORT RAN TR2
13	782062	1	NON-RETURN VALVE UTV 3/8"
14	786895	1	HEX NIPPLE X12L (DIN24)
15	14010400	1	PLUG 1/4" BSP
16	14017701	1	HYD FITTING G1/4M - G3/8F 90°
17	14017801	1	HYD FITTING G1/4"M-G3/8"M
18	16216503	1	BKT, LIFT BLOCK, ALPHA
19	23234300	1	HEX NIPPLE 3/8"-11/16"
20	23234500	1	HEX NIPPLE 1/4" - 9/16"
21	23234600	1	HEX NIPPLE 3/8"-11/16" - 1.8mm
22	23235300	1	HEX NIPPLE 1/2"-13/16"
23	23235700	1	HEX NIPPLE 3/8"-9/16"
24	23240800	1	TEE 11/16"-11/16"-11/16" ORFS
25	23241800	1	HYD.FIT. M-F 90° 11/16"-11/16"
26	23242600	1	TEE 11/16"M-11/16"M-11/16"F
27	70078103	1	HYD. BLOCK COMP. PARA-LIFT 1.8
28	78104901	1	CYLINDER DE 70/35 ST715 FP25/TO25 SP883
29	78204301	1	DISTRIBUTOR VALVE 2/2 NF W-01
30	78204401	1	CONNECTING BLOCK
31	78205301	1	ACCUMULATOR ELM0,50 90BAR
32	78505603	1	HY.HO.1/2"L= 4850 STR-STR
33	78505703	1	HY.HO.1/2"L= 3950 STR-90
34	78505803	1	HY.HO.3/8"L= 3555 STR-STR
35	78505903	1	HY.HO.1/4"L= 2300 STR-#6STR
36	78506003	1	HY.HO.3/8"L= 1700 STR-90
37	78602501	1	HYD.FIT. 3/8'' M X 12L F (DIN24)
38	78605201	1	ELBOW MF HYD 1/4' GM14GF14
39	78605301	1	PLUG 1/4"





HYD.STEERING ALPHA ECODRIVE
C0830-HIN, 01:05:17

Page 1
Date 07.02.2020 7:59

Pos.	parts-n°	order qty	description
1	240866	1	DOWTYSEAL 3/8"
2	241356	1	DOWTYSEAL 1/2"
			USE WITH FITTING 23235300
3	248156	1	SEAL KIT 470.919040/DT
4	782857	1	VALVE COMPLETE ARDP6-750
5	784926	1	HY.HO.2TT25+E24FD+E24F90 L770 TO TANK
6	784942	1	HYD.HOSE L=1585MM
7	786888	1	PLUG 3/8"
8	786892	1	FITTING GE12LR1/2A3C
9	786893	1	HEX NIPPLE 3/8"X15L (DIN24)
10	786895	1	HEX NIPPLE X12L (DIN24)
11	786896	1	FITTING A10-LR3/8X
12	16300001	1	\$\$\$HYD TANK COLLECTOR BRACKET, ALP T4F
13	16594501	1	PRIORITY BLOCK BRACKET, ALPEVO
14	23235300	1	HEX NIPPLE 1/2"-13/16" USE WITH HOSE 78505603
14	78606401	1	FITTING, GE15LREDOMDA3C USE WITH HOSE 78562201
15	23235300	1	HEX NIPPLE 1/2"-13/16" USE WITH HOSE 78505703
15	78612401	1	FITTING GE18LR OMDA3C USE WITH HOSE 78479601
16	78101601	1	CYLINDER 90/40 C150 M22X250
17	78469301	1	HY.HO.1TA8+E24F90 0° L3970 TO LADDER
18	78470201	1	HY.HO.1TA12+E24FD+E24F90 L1250 TO BRAKING PEDAL S
19	78505603	1	HY.HO.1/2"L= 4850 STR-STR CURRENT MODEL/TO BOOM HYD.BLOCK P
19	78562201	1	HY.HO.5/8"L= 8700MM STR-STR (DIN 24) EARLY MODELS/TO BOOM HYD.BLOCK P
20	78505703	1	HY.HO.1/2"L= 3950 STR-90 CURRENT MODEL/TO BOOM HYD.BLOCK
20	78479601	1	HY.HO.3/4"L= 8150MM STR-90 (DIN 24) EARLY MODELS/TO BOOM HYD.BLOCK
21	78512601	1	HY.HO.1TA12+E24F90+E24F45 L520 TO OLD 19CC PUMP
21	78554801	1	HY.HO.1TA12+E24F90+E24F45 L1230 TO 17CC PUMP - ALU BOOM
21	78555501	1	HY.HO.1TA12+E24F90 90° L2750 TO 17CC PUMP - HAZ BOOM
22	78530401	1	HY.HO.1TA12+E24FD L1250
23	78530601	1	HY.HO.1TA8+E24F45+E24F90 L1490
24	78530801	1	HY.HO.1TA10+E24FD L1210
25	78531001	1	HY.HO.1TA10+E24FD+E24F90 L3850
26	78531101	1	HY.HO.1TA12+E24FD+E24F45 L1530 TO TANK
27	78531401	1	HY.HO.1TA12+E24FD+E24F90 L960 TO MANUAL VALVE
28	78533601	1	HY.HO.1TA10+E24F90 90°L500 TO BRAKING PEDAL T
29	78537301	1	HY.HO.1TA12+E24FD L620 TO FRONT BLOCK
30	78539101	1	HY.HO.1TA10+E24FD+E24F90 L900
31	78602401	1	FITTING GE28LRED 1"
32	78602701	1	PRESSURE PLUG J1844424



HYD.STEERING ALPHA ECODRIVE
C0830-HIN, 01:05:17

Page 2

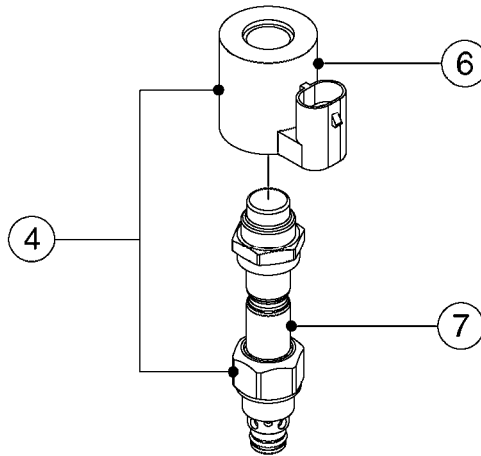
Date 07.02.2020 7:59

Pos.	parts-n°	order qty	description
33	78606401	1	FITTING, GE15LREDDOMA3C
34	78606701	1	RACCORD RED1815LA3C
35	78607101	1	FITTING GE10LREDDOMA3C Compl.
36	78612001	1	PLUG VSTI R 1/2" ED
37	78612501	1	FITTING GE18LR 3/4BA3C

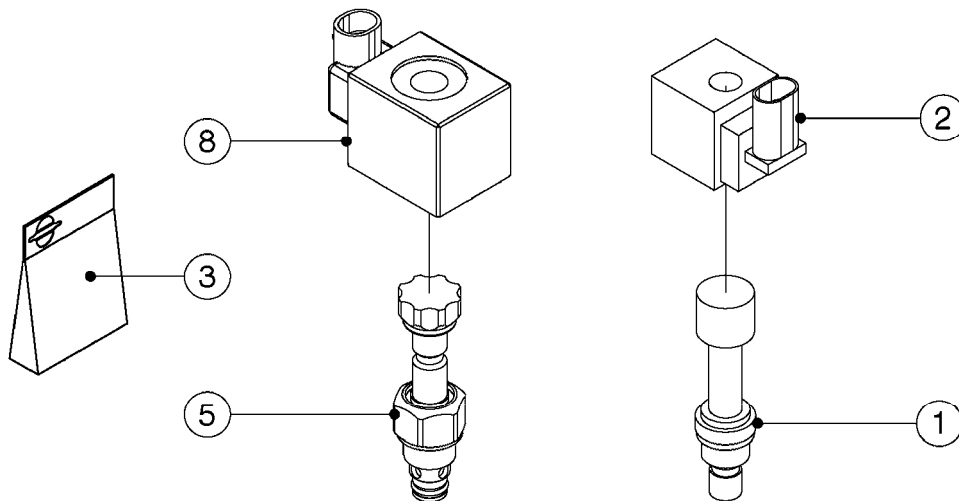


CANNOT MIX SOLENOID VALVES AND COILS
IF IN DOUBT, ORDER COMPLETE SET (4)

CURRENT STYLE (2018)



OLD STYLES (PRE 2018)



C0910



HYDRAULIC SOLENOIDS
C0910-HIN, 13:05:19

Page 1
Date 07.02.2020 7:59

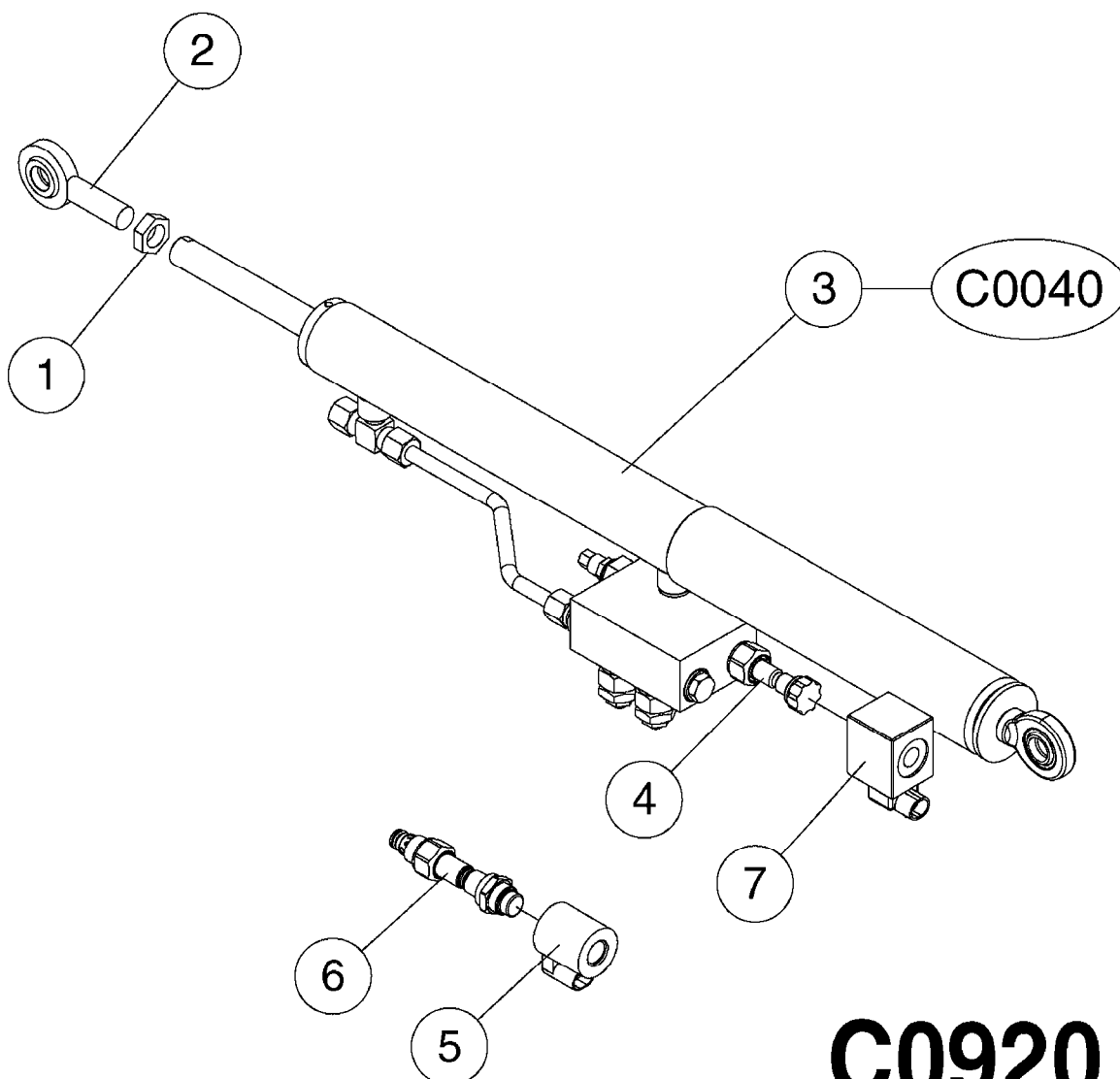
Pos.	parts-n°	order qty	description
1	782129	1	SOLENOID VALVE 25L, 3/4"NC
2	782135	1	SOLENOID W. AMP F.VALVE 782129
3	28100800	1	SEAL KIT F. 782129/78215500 PRE 2018 ONLY
4	75586600	1	SOLENOID VALVE NC, + COIL
5	78215500	1	HY SOLENOID VALVE 40L 3/4"NC
6	78222700	1	COIL W. AMP
7	78222800	1	SOLENOID VALVE NC, DOUBLE LOCK
8	78602100	1	MAGNET M.AMP/DIODE KIT 08



HYD. DAMPER, LOCKING CYLINDER
C0920-HIN, 05:06:19

Page 0

Date 07.02.2020 7:59





HYD. DAMPER, LOCKING CYLINDER
C0920-HIN, 05:06:19

Page 1

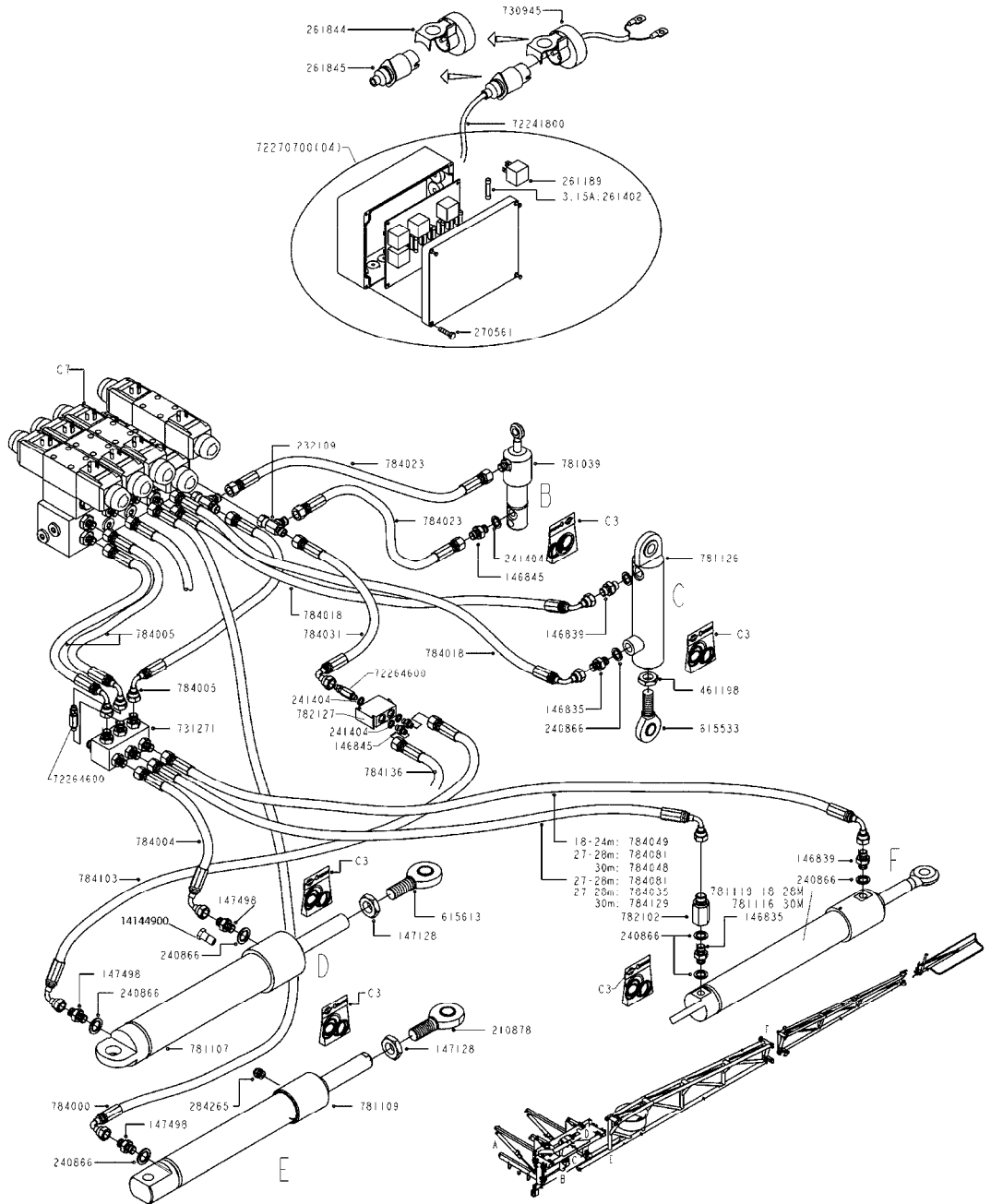
Date 07.02.2020 7:59

Pos.	parts-n°	order qty	description
1	461198	1	NUT HEX M16X2 JAMB
2	21091900	1	LINK HEAD M16 x D17 DELTA
3	78126000	1	CYLINDER,DAMPNER,LOCKING
4	78215500	1	HY SOLENOID VALVE 40L 3/4"NC PRE 2019
5	78222700	1	COIL W. AMP POST 2019
6	78223000	1	SOLENOID VALVE NC, PUSH/TWISH OVERRIDE, DOUBLE LOC POST 2019
7	78602100	1	MAGNET M.AMP/DIODE KIT 08 PRE 2019



DAH" HAZ '03
C323-HIA, 03:05:10

Page 0
Date 07.02.2020 7:59



C323-HIA



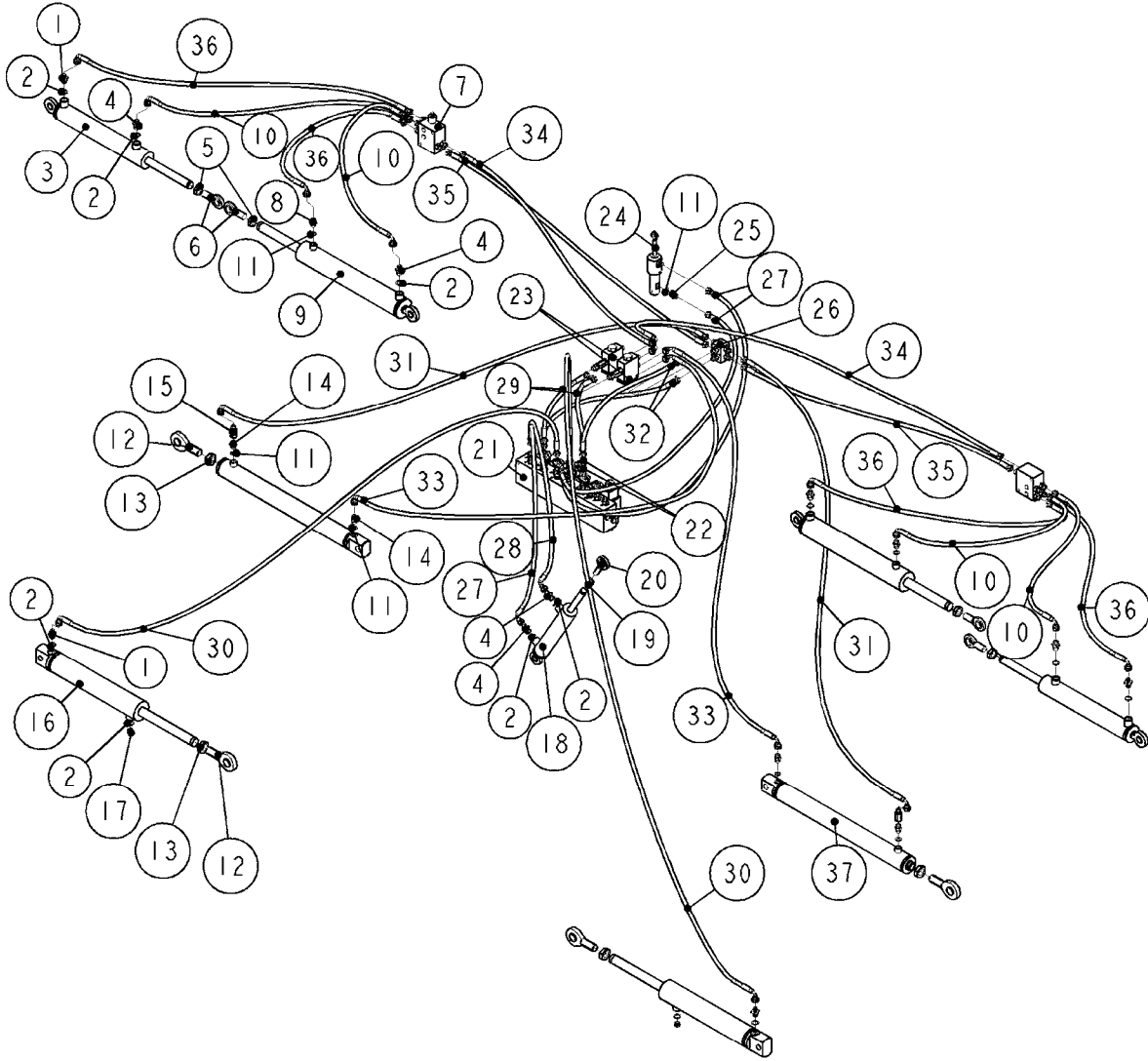
DAH" HAZ '03
C323-HIA, 03:05:10

Page 1
Date 07.02.2020 7:59

parts-n°	order qty	description
146835	1	HEX NIPPLE 1/4" - 3/8" BSP
146839	1	HEX NIPPLE 1/4"X3/8" BSP 0.7MM
146845	1	HEX NIPPLE 1/4"X1/4"
147128	1	NUT M24X2 NV-32
147498	1	HEX NIPPLE 1/4"-1/4" 1.2mm
14144900	1	BANJOBOLT 3/8" RG 0.7MM
210878	1	LINK HEAD M24 x 55 W/ GREASE NIP. DELTA
232109	1	FITT.HY TEE 1/4"BSP UNION
240866	1	DOWTYSEAL 3/8"
241404	1	DOWTY SEAL 1/4"
261189	1	RELAY SUMI TYPE RCN 1V-5B
261402	1	FUSE 3.15A SLOW BURN
261844	1	PLUG ELEC.3POLE FEMALE F.CABLE
261845	1	PLUG ELEC.3 POLE MALE F.CABLE
270561	1	SCREW W/SPRING ASSY. (QTY 1)
284265	1	PLUG BREATHER 1/4" F/CYLINDER
461198	1	NUT HEX M16X2 JAMB
615533	1	LINK HEAD
615613	1	LINK EYE
72241800	1	POWER CABLE 4MM2 L=10M
72264600	1	HYDRUALIC RESTICTOR, ADJUSTABL
72270700	1	HAY/Z ACTUATOR CONN BOX HURCS
730945	1	CABLE 2X4MM W.PLUG L=5000
731271	1	HY.BLOCK
781039	1	CYL D25/12-50 172MM alt 781139
781107	1	DOBCYL50/30-500/M24X2 78121200
781109	1	DOUBLE CYLINDER D 50/30-300
781116	1	CYLINDER DOUBLE D50/25-298
781119	1	DOUBLE CYLINDER D 40/20-300
781126	1	CYLINDER DOUBLE D40/20-120
782102	1	HYD RESTRICTOR TWIN FORCE
782127	1	HY.FLOW DIVIDER FTZ-03
784000	1	HOSE HY X 1/4 X 118.00"STR+ELB
784004	1	HOSE HY 1/4" x 33.5" STR & ELB
784005	1	HOSE HY X 1/4 X 037.38"STR+ELB
784018	1	HOSE HY X 1/4 X 029.5"STR+ELB
784018	1	HOSE HY X 1/4 X 029.5"STR+ELB
784023	1	HOSE HY 1/4 X 43.25" STR.+ELB.
784031	1	HYD.HOSE CM TF 1/4"x550MM
784035	1	HOSE HY X 1/4 X 268" STR+ELB
784048	1	HOSE HY X 1/4 X 315.0" STR+ELB
784049	1	HOSE HY X 1/4" X 240"STR+ELB
784081	1	HOSE HY X 1/4 X 281.50"STR+ELB
784103	1	HYDRAULIC HOSE 1/4'X770
784129	1	HOSE HY X 1/4 X 299.21"STR+ELB
784136	1	HOSE HY X 1/4 X 33.5" ELB+ELB



HAZ 120'
C326-HIA, 14:12:11

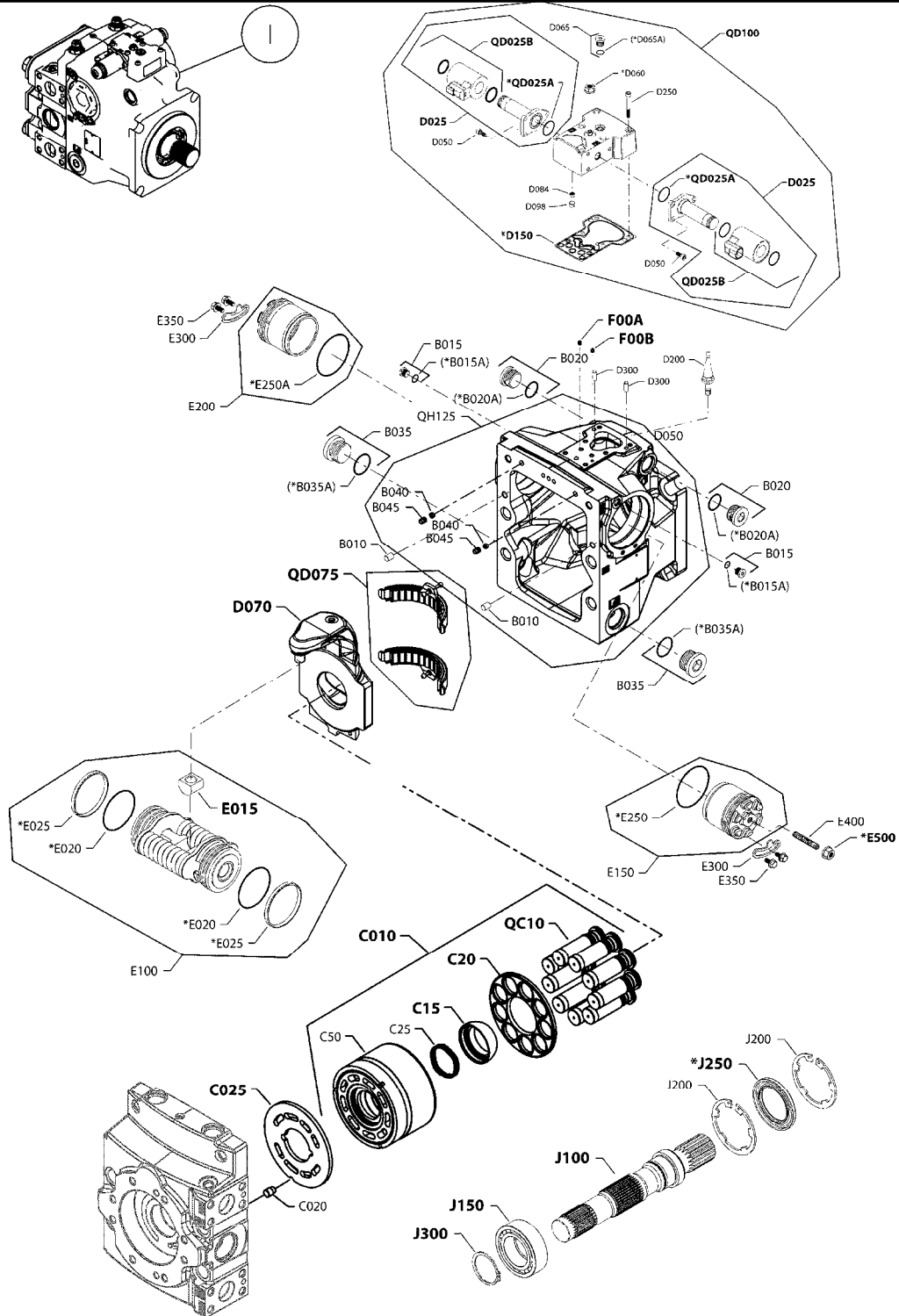


C326



HAZ 120'
C326-HIA, 14:12:11

Pos.	parts-n°	order qty	description
1	147061	1	HEX NIPPLE 1/4"X3/8"/1.8
2	240866	1	DOWTYSEAL 3/8"
3	78122100	1	CYLINDER DOUBLE D50/25-298
4	146839	1	HEX NIPPLE 1/4"X3/8" BSP 0.7MM
5	461200	1	NUT HEX M20X1.5 JAMB.
6	210881	1	LINK HEAD M20 x D20 L=78
7	78215600	1	HYDR.BLOCK W.NONRETURN
8	146851	1	HEX NIPPLE 1/4"x1/4" 0.7MM
9	78124400	1	CYLINDER DOUBLE D50/25 250
10	784110	1	HOSE HY X 1/4 X 18.9" STR+ELB
11	241404	1	DOWTY SEAL 1/4"
12	210878	1	LINK HEAD M24 x 55 W/ GREASE NIP. DELTA
13	461236	1	NUT HEX M24X1.5
14	147498	1	HEX NIPPLE 1/4"-1/4" 1.2mm
15	782097	1	HEX NIPPLE 1/4" ONE-WAY 0.55MM
16	78120800	1	CYLINDER DOUBLE 60/30-300
17	284266	1	PLUG BREATHER 3/8" F/CYLINDER
18	78122300	1	CYLINDER DOUBLE D40/20-180
19	461198	1	NUT HEX M16X2 JAMB
20	210879	1	LINK HEAD M16 x D17
21	72451500	1	HYDR.BLOCK HY. 100-120' HAZ
22	232109	1	FITT.HY TEE 1/4"BSP UNION
23	72813100	1	FLOW DIVIDER FD50-44
24	78124200	1	CYLINDER D25/12-50
25	146845	1	HEX NIPPLE 1/4"X1/4"
26	731941	1	HYD. BLOCK MANIFOLD
27	784023	1	HOSE HY 1/4 X 43.25" STR.+ELB.
28	784005	1	HOSE HY X 1/4 X 037.38"STR+ELB
29	78417100	1	HOSE HY X 1/4 X 15.75" STR+STR
30	784000	1	HOSE HY X 1/4 X 118.00"STR+ELB
31	784004	1	HOSE HY 1/4" x 33.5" STR & ELB
32	784043	1	HOSE HY X 1/4 X 33.5" STR+STR
33	784136	1	HOSE HY X 1/4 X 33.5" ELB+ELB
34	78416400	1	HOSE HY X 1/4 X 354.3" STR+STR
35	784061	1	HYD HOSE 1/4" L=9400 STR.+ELB
36	784001	1	HOSE HY X 1/4 X 067.00"STR+ELB
37	78128800	1	CYLINDER, D50/30-500



F171A-1



HYDRAULIC MOTOR VALVES
F171A-1, 14:05:14

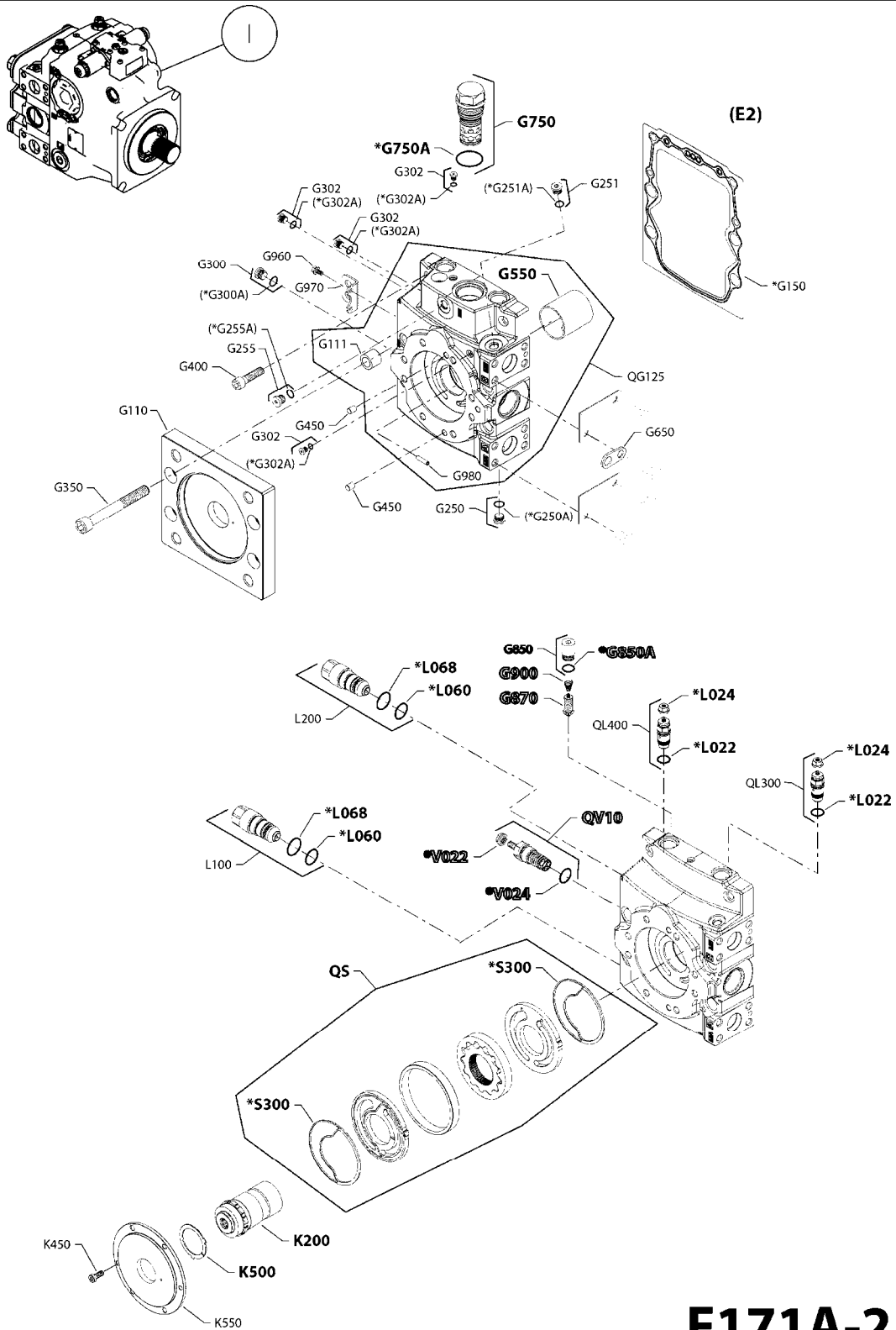
Page 1

Date 07.02.2020 7:59

Pos.	parts-n°	order qty	description
1	78307201	1	PRIMARY HYD PUMP H1, 115cm3, VALVE 210 BAR
1	76016101	1	PRIMARY HYD PUMP H1, 115cm3, RELIEF VALVE 140 BAR Alpha 5000
J250	24002301	1	OIL SEAL RING J250 110224711
D150	24006001	1	GASKET H1 6TRS 140876
QD100	26039101	1	SERVO CONTROL EDC H1P DT04



PRIMARY HYD.PUMP 115 CC H1
F171A-2, 18:12:15



F171A-2

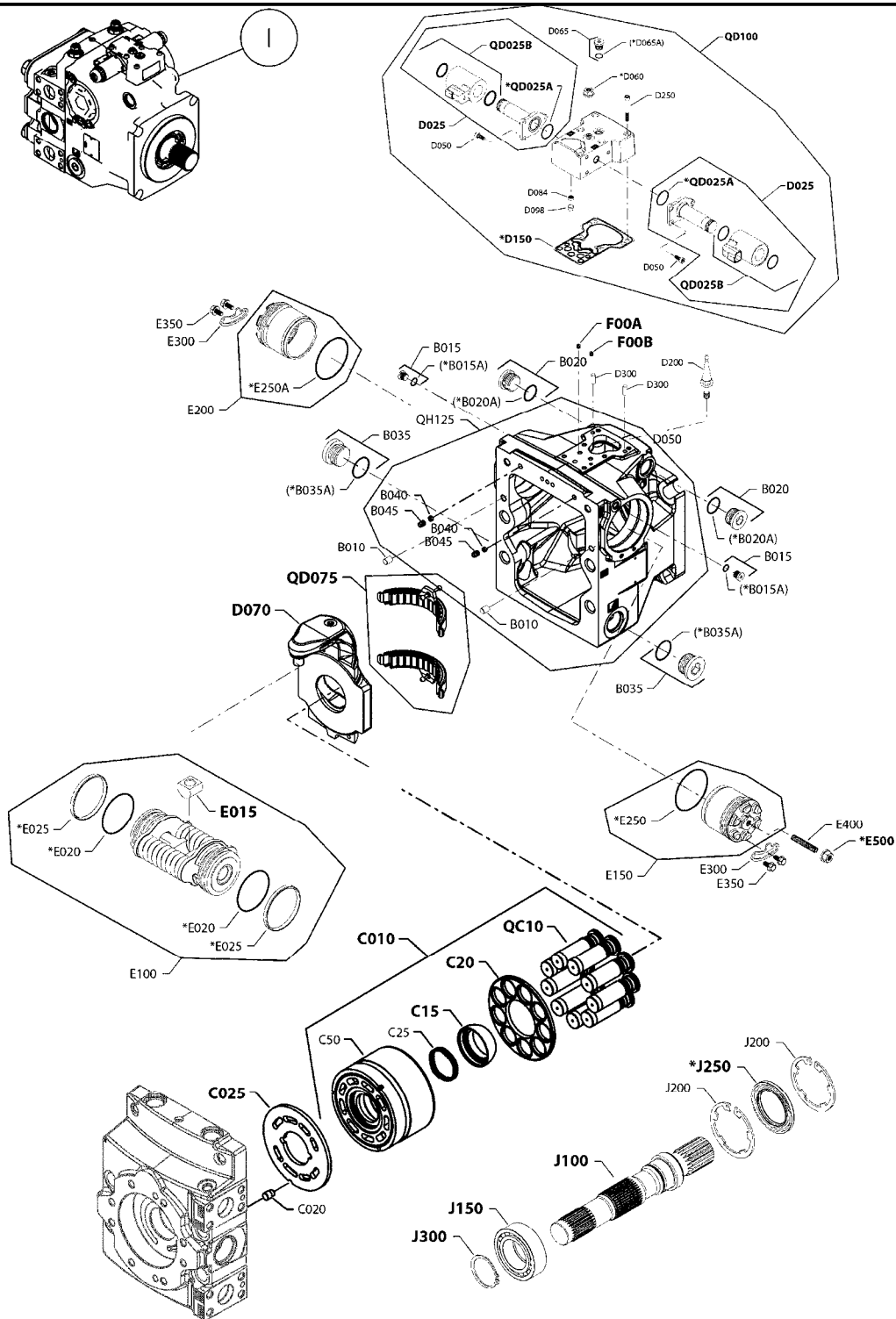


PRIMARY HYD.PUMP 115 CC H1
F171A-2, 18:12:15

Page 1

Date 07.02.2020 7:59

Pos.	parts-n°	order qty	description
1	78307201	1	PRIMARY HYD PUMP H1, 115cm3, VALVE 210 BAR
1	76016101	1	PRIMARY HYD PUMP H1, 115cm3, RELIEF VALVE 140 BAR
L060	24006401	1	O-RING 1,78 X 23.52 VITON
L068	24006501	1	O-RING 2,4 X 25.3 VITON
QL300	27000601	1	PRESSURE LIMITER H1 11004709
QL400	27000601	1	PRESSURE LIMITER H1 11004709
G870	27060301	1	SCR VALVE 140 BAR Alpha 5000
G870	27012001	1	SCR VALVE 210 BAR
L100	288838	1	RELIEF VALVE HP RLF H1P115-250 450B
L200	288838	1	RELIEF VALVE HP RLF H1P115-250 450B



F172A-1

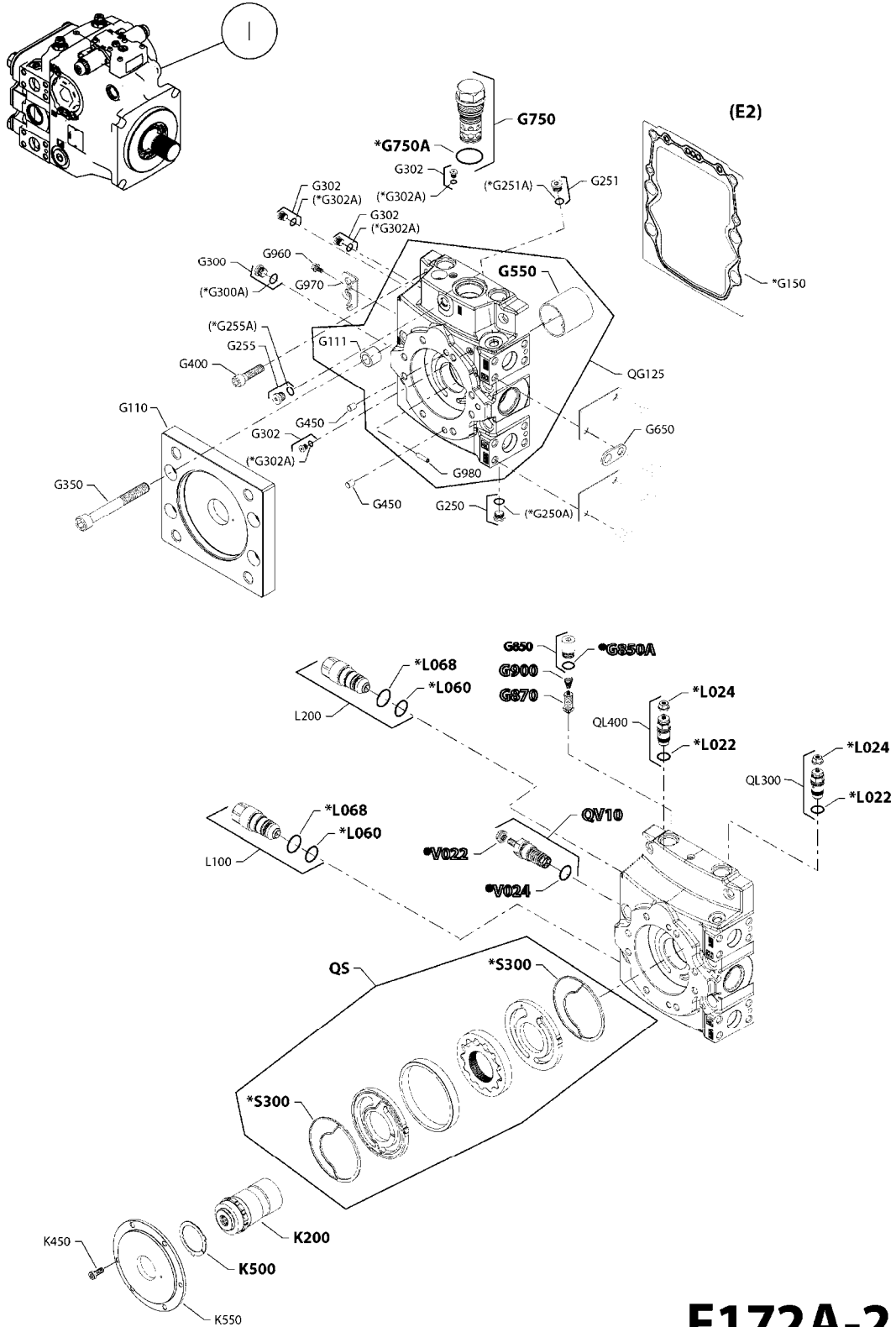


SECONDARY HYD.PUMP 115 CC H1
F172A-1, 19:05:14

Page 1

Date 07.02.2020 7:59

Pos.	parts-n°	order qty	description
1	78307101	1	SECONDARY HYD PUMP H1, 115cm3, VALVE 210 BAR
1	76016201	1	SECONDARY HYD PUMP H1, 115cm3, RELIEF VALVE 140 BA Alpha 5000
D150	24006001	1	GASKET H1 6TRS 140876
QD100	26039101	1	SERVO CONTROL EDC H1P DT04



F172A-2

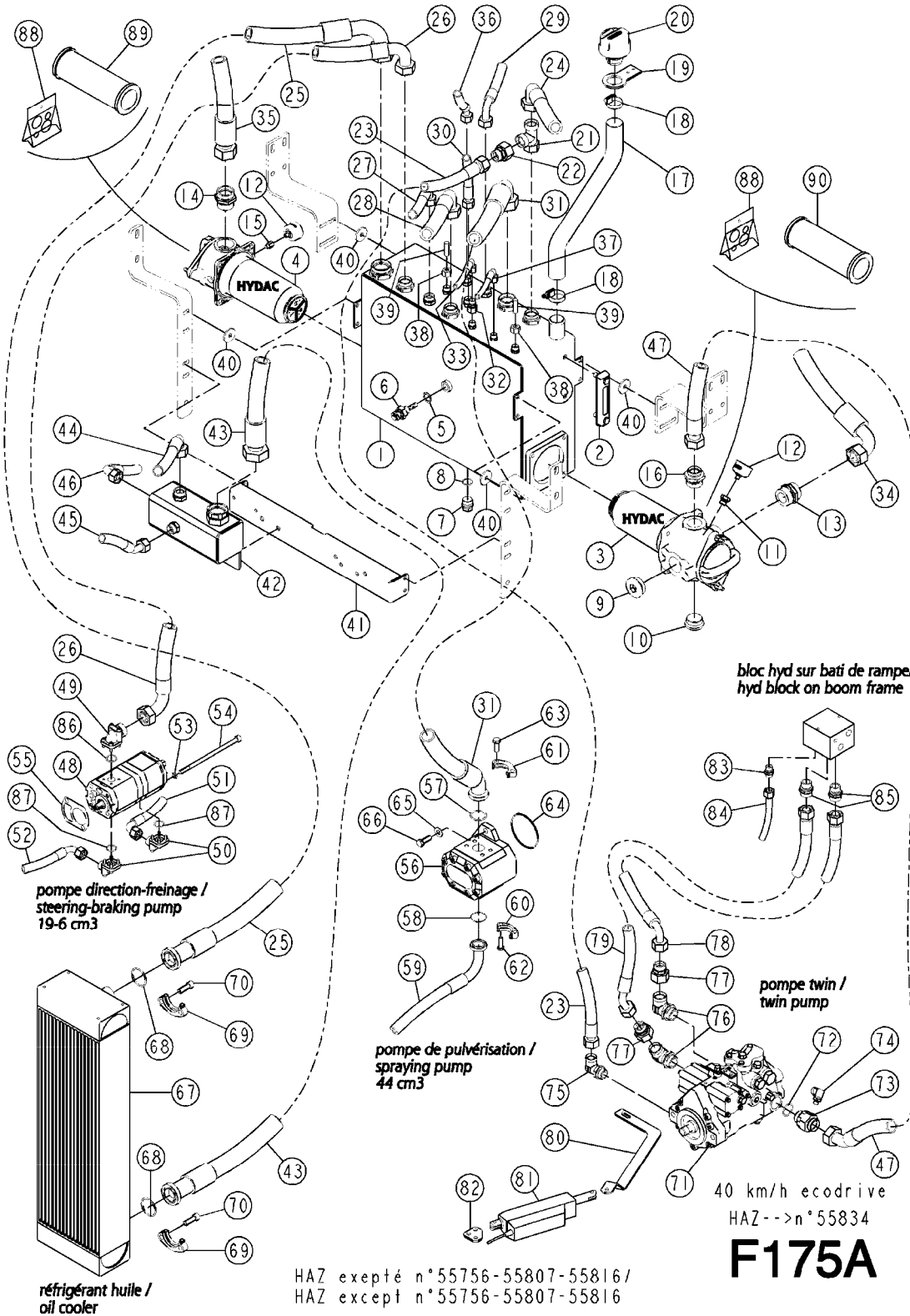


SECONDARY HYD PUMP 115 CC H1
F172A-2, 18:12:15

Page 1

Date 07.02.2020 7:59

Pos.	parts-n°	order qty	description
1	78307101	1	SECONDARY HYD PUMP H1, 115cm3, VALVE 210 BAR
1	76016201	1	SECONDARY HYD PUMP H1, 115cm3, RELIEF VALVE 140 BA Alpha 5000
G870	27012001	1	SCR VALVE 210 BAR
G870	27060301	1	SCR VALVE 140 BAR Alpha 5000
L060	24006401	1	O-RING 1,78 X 23.52 VITON
L068	24006501	1	O-RING 2,4 X 25.3 VITON
QL300	27000601	1	PRESSURE LIMITER H1 11004709
QL400	27000601	1	PRESSURE LIMITER H1 11004709





TANK PUMP ALPHA ECO 25 MPH HAZ
F175A, 01:07:15

Page 1
Date 07.02.2020 7:59

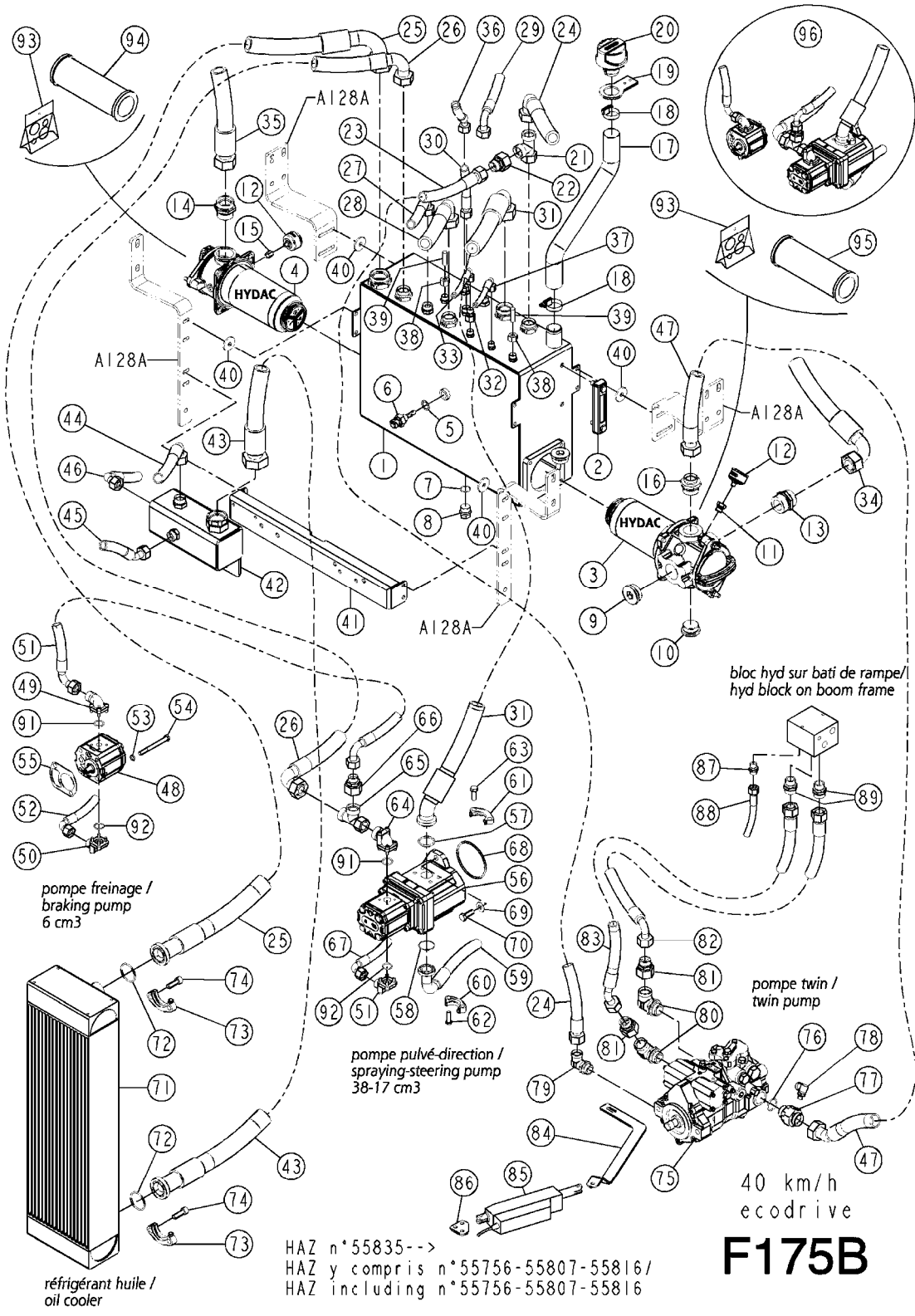
Pos.	parts-n°	order qty	description
1	78206201	1	OIL TANK 50L+FILTERS, T3B40-T4F, ALPEVO Avec filtres/with filters
2	78631701	1	LEVEL INDICATOR FSA-127-1.X/-/12
3	78626901	1	SUCTION FILTER SFAR 180
4	78626701	1	SUCTION FILTER SFAR 180
5	218062	1	DOWTY SEAL BS BSP 1/2 - BOLT 13/16
6	26050301	1	ELECTRIC OIL GAUGE CLS3285 S82/124C
7	#	1	#
8	248089	1	O-RING 2.4 X 23.3 70NBR872
9	#	1	#
10	#	1	#
11	RA10AA7050	1	FITTING RI 3/8"1/8"A3C
12	78630801	1	VISUAL CLOGGING INDICATOR
13	78602601	1	UNION 1 1/2''EDZB
14	78607301	1	FITTING GE35LREDA3C
15	#	1	#
16	78621201	1	HEX NIPPLE DIN24 M36X2.00 (28L)-1"1/4
17	92700501	1	PIPE Ø40X4.3 3 BAR 030 L1M
18	288127	1	CLAMP 32/54/16 C8W4
19	28006601	1	BRACKET, HYD OIL FILLER, SARITOR
20	78631401	1	CAP BF P 30 M 3 W 1.0/-AS
21	78614201	1	FITTING EVL28LA3C Vers bloc priorité /to priority block T1
22	78603501	1	FITT.RED.2822LA3C
23	78538601	1	HY.HO.2TA20 E24FD30+E24FD30 L1270
24	784926	1	HY.HO.2TT25+E24FD+E24F90 L770 Vers vloc priorité/to priority block T1
25	78530201	1	HY.HO.2TT38+E24F90+EB1-1/2" L3330
26	78532901	1	HY.HO. TT25+E24F90 280° L2000
27	78523501	1	HY.HO.1TA16+E24FD+E2F90 L=450 Vers bloc avant /to front block Dr
28	78532701	1	HY.HO. 2TT25+E24FD+E24F90 L1465 Vers pompe H1 secondaire /to secondary pump H1
29	78543201	1	HY.HO.1TA16+E24F90 180° L3500 Vers bloc arrière /to rear block Dr
30	78531501	1	HY.HO.1TA12+E24FD+E24F90 L1650 Vers pompe manuelle /to manual pump
31	78538501	1	HY.HO.TT32+B45+E24F90 0° L2720
32	78605501	1	FITTING RED.12/10LA3C COMP
33	78531701	1	HY.HO.1TA8+E24F90 270° L4635 Vers bloc arrière frein de parking /To rear block
34	78532501	1	HY.HO.TT32+E24FD+E24F90 L2080 Vers pompe H1 secondaire /to secondary pump H1
35	78532001	1	HY.HO.TT32+E24FD+E24F45 L2000 Vers pompe H1 primaire /to primary pump H1
36	78531101	1	HY.HO.1TA12+E24FD+E24F45 L1530 Vers orbitrol rep.T /to steering valve "T"
37	78512701	1	HY.HO.1TA8+E24FD+E24F90 L1030 Vers vanne 3 voies /to 3 ways valve
38	#	1	#
39	148395	1	CAP Ø12 L40
40	24013701	1	WASHER Ø40/11 TH. 4 95 A
41	16300001	1	\$\$HYD TANK COLLECTOR BRACKET, ALP T4F
42	63064101	1	COLLECTOR ALPHA EVO TIER3B
43	78530101	1	HY.HO.2TT38+E24FD+EB1"1/2 L3900
44	78533701	1	HY.HO.1TT19+E24FD+E24F45 L2180 Vers moteur pompe pulvé /to spraying pump motor
45	78529901	1	HY.HO.1TA16+E24F45+E24F90 65°L600 Vers bloc avant rep. R /to front block "R"



TANK PUMP ALPHA ECO 25 MPH HAZ
F175A, 01:07:15

Page 2
Date 07.02.2020 7:59

Pos.	parts-n°	order qty	description
46	78530001	1	HY.HO.1TA16+E24FD+E24F90 L2750 Vers bloc arrière rep. R /to rear block "R"
47	78539001	1	HY.HO.2TT25+E24FD+E24F45 L1420
48	78306101	1	STEERING PUMP 19+6D C045 +++++
49	786806	1	FITTING XBPR40-28L-90°
50	786807	1	FITTING XBPR35-15L-90°
51	78533301	1	HY.HO.1TA12+E24FD+E24F90 L730
52	78512601	1	HY.HO.1TA12+E24F90+E24F45 L520 Vers valve priorité/to priority valve
53	478059	1	WASHER M10 A2 DIN127B
54	45001801	1	BOLT M10-210/32 CL.8.8 DELT
55	24019601	1	PAPER GASKET ENGINE-STEERING PUMP
56	78306901	1	PUMP 111.25.015.OA 44CC LEFT
57	248023	1	O-RING R 3.53 X 37.69 20PA77
58	248022	1	O-RING 3.53 X 32.92 16PA77
59	78538901	1	HY.HO.2TA20+E24FD+B90 L4450 Vers bloc pulvé/to spraying block-40km/h-rampe HAZ
60	786845	1	1/2 FLANGE DN25 1 3000PSI
61	786846	1	1/2 FLANGE DN32 1 1/4 3000PSI
62	458103	1	BOLT H UNC3/8"X1"1/4 DELTA
63	458011	1	BOLT 7/16" X 1-1/4"
64	24020801	1	O-RING 4 X 100 01170141
65	478037	1	WASHER M12U D12.5/D27X2.5 SS A2
66	438037	1	BOLT 12 X 35 8.8 BLACK
67	27033201	1	OIL RADIATOR 2040-0081
68	24013101	1	O-RING R3.53X47.22
69	78625701	1	1/2 FLANGE DN38 1 1/2 3000PSI
70	458091	1	SCREW CHC M 12-35/35 CL12.9 DELT
71	78303101	1	PUMP MPV 046
72	248333	1	O-RING R 3 X 30 80FPM VITON
73	148423	1	ADAPTER 1-5/16" -M36x2
74	78601301	1	PRESSURE GAUGE M12X1,5 EMA3/12X1,5
75	78625901	1	ELBOW 90° MALE SWIVEL
76	78628001	1	ELBOW 90° MALE SWIVEL 28L 1-5/16" UNF
77	78603501	1	FITT.RED.2822LA3C
78	78572801	1	HY.HO.2TA20+E24F90+E24FD L8620
79	78573001	1	HY.HO.2TA20+E24F45+E24FD L8720
80	16585901	1	LEVER FOR PUMP HYD TWIN ALPEVO
81	26047400	1	ACTUATOR 0-130MM L=0,5M/4WIREAMP
82	16615201	1	CYLINDER BRACKET TWIN ALPEVO T3B
83	786895	1	HEX NIPPLE X12L (DIN24)
84	78572601	1	HY.HO.1TA10+E24FD L8200 Vers valve priorité/to priority valve T8
85	78607201	1	HEX NIPPLE X22L (DIN24)
86	24020901	1	O-Ring R2,5x26 NBR90
87	24021001	1	O-Ring 2,5x20 NBR90
88	24020101	1	SEAL KIT FILTERS SF150-180
89	78626801	1	FILTER PE150 1900216
90	78626601	1	FILTER, HYD OIL, SUCTION, SARITOR (HYDAC)



HAZ n°55835-->
HAZ y compris n°55756-55807-55816/
HAZ including n°55756-55807-55816

F175B



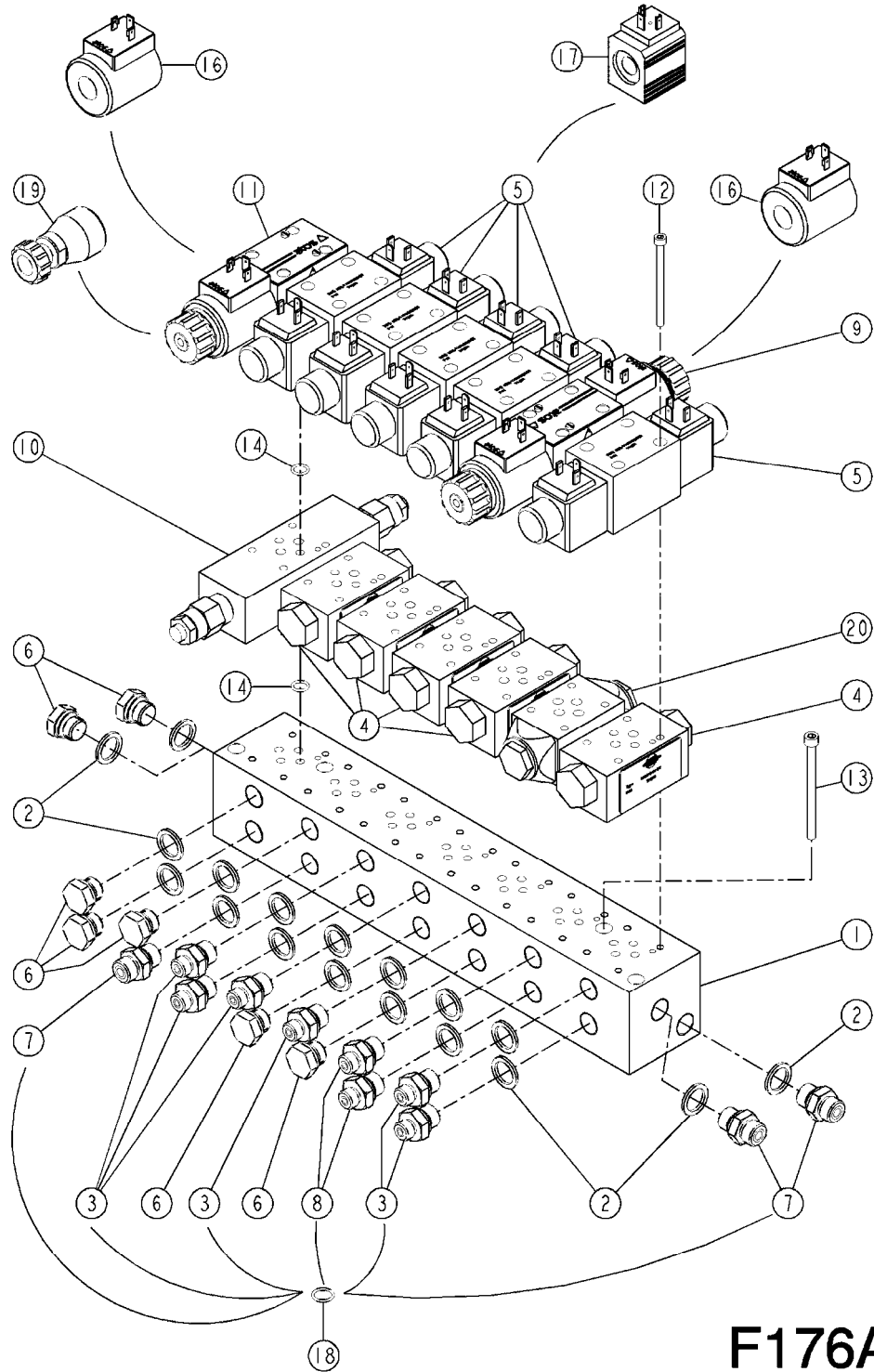
TANK PUMP ALPHA ECO 25 MPH HAZ
F175B, 17:03:16

Page 1
Date 07.02.2020 7:59

Pos.	parts-n°	order qty	description
1	78206201	1	OIL TANK 50L+FILTERS, T3B40-T4F, ALPEVO Avec filtres/xith filters
2	78631701	1	LEVEL INDICATOR FSA-127-1.X/-/12
3	78626901	1	SUCTION FILTER SFAR 180
4	78626701	1	SUCTION FILTER SFAR 180
5	218062	1	DOWTY SEAL BS BSP 1/2 - BOLT 13/16
6	26050301	1	ELECTRIC OIL GAUGE CLS3285 S82/124C
6	26065901	1	ELECTRIC OIL GAUGE 3895502 S82/141C
7	248089	1	O-RING 2.4 X 23.3 70NBR872
8	#	1	#
9	#	1	#
10	#	1	#
11	RA10AA7050	1	FITTING RI 3/8"1/8"A3C
12	78630801	1	VISUAL CLOGGING INDICATOR
13	78602601	1	UNION 1 1/2''EDZB
14	78607301	1	FITTING GE35LREDA3C
15	#	1	#
16	78621201	1	HEX NIPPLE DIN24 M36X2.00 (28L) -1"1/4
17	92700501	1	PIPE Ø40X4.3 3 BAR 030 L1M
18	288127	1	CLAMP 32/54/16 C8W4
19	28006601	1	BRACKET, HYD OIL FILLER, SARITOR
20	78631401	1	CAP BF P 30 M 3 W 1.0/-AS
21	78614201	1	FITTING EVL28LA3C
22	78603501	1	FITT.RED.2822LA3C
23	78538601	1	HY.HO.2TA20 E24FD30+E24FD30 L1270
24	784926	1	HY.HO.2TT25+E24FD+E24F90 L770 Vers bloc priorité/to priority block T1
25	78530201	1	HY.HO.2TT38+E24F90+EB1-1/2" L3330
26	78555601	1	HY.HO.TT25+E24F90 340° L3000
27	78523501	1	HY.HO.ITA16+E24FD+E2F90 L=450 Vers bloc av/to front block Dr
28	78532701	1	HY.HO. 2TT25+E24FD+E24F90 L1465 Vers pompe H1 secondaire/to secondary H1 pump
29	78543201	1	HY.HO.1TA16+E24F90 180° L3500 Vers bloc ar/to rear block Dr
30	78531501	1	HY.HO.1TA12+E24FD+E24F90 L1650 Vers pompe manuelle/to manual pump
31	78538501	1	HY.HO.TT32+B45+E24F90 0° L2720
32	78605501	1	FITTING RED.12/10LA3C COMP
33	78531701	1	HY.HO.1TA8+E24F90 270° L4635 Vers bloc ar fein parking/to rear block parking br
34	78532501	1	HY.HO.TT32+E24FD+E24F90 L2080 Vers pompe H1 secondaire/to secondary H1 pump
35	78532001	1	HY.HO.TT32+E24FD+E24F45 L2000 Vers pompe H1 primaire/to primary H1 pump
36	78531101	1	HY.HO.1TA12+E24FD+E24F45 L1530 Vers orbitrol/to steering valve T
37	78512701	1	HY.HO.1TA8+E24FD+E24F90 L1030 Vers vanne 3 voies/to 3 ways valve
38	#	1	#
39	148395	1	CAP Ø12 L40
40	24013701	1	WASHER Ø40/11 TH. 4 95 A
41	16300001	1	\$\$HYD TANK COLLECTOR BRACKET, ALP T4F
42	63064101	1	COLLECTOR ALPHA EVO TIER3B
43	78530101	1	HY.HO.2TT38+E24FD+EB1"1/2 L3900
44	78533701	1	HY.HO.1TT19+E24FD+E24F45 L2180 Vers moteur pompe pulvé/to spraying pump motor
45	78529901	1	HY.HO.1TA16+E24F45+E24F90 65°L600 Vers bloc avant/to front bloc R



Pos.	parts-n°	order qty	description
46	78530001	1	HY.HO.1TA16+E24FD+E24F90 L2750 Vers bloc arrière/to rear block R
47	78539001	1	HY.HO.2TT25+E24FD+E24F45 L1420
48	78307601	1	PUMP 6CC 111.20.446.00
49	78613701	1	FLANGE CONNECTION 18L - SUCTION 19CC PUMP
50	786807	1	FITTING XBPR35-15L-90°
51	78555101	1	HY.HO.2TA16+E24F90 90° L410
52	78533301	1	HY.HO.1TA12+E24FD+E24F90 L730 Vers filtre frein parking/to parking brake filter
53	478059	1	WASHER M10 A2 DIN127B
54	421061	1	BOLT HEX 8.8 DEL M10X100 DIN931
55	24019601	1	PAPER GASKET ENGINE-STEERING PUMP
56	78307501	1	PUMP 38+17 CM3 83035598
57	248023	1	O-RING R 3.53 X 37.69 20PA77
58	248022	1	O-RING 3.53 X 32.92 16PA77
59	78538901	1	HY.HO.2TA20+E24FD+B90 L4450 Vers bloc régulation pulvé/to spraying regulation
60	786845	1	1/2 FLANGE DN25 1 3000PSI
61	786846	1	1/2 FLANGE DN32 1 1/4 3000PSI
62	458103	1	BOLT H UNC3/8"X1"1/4 DELTA
63	458011	1	BOLT 7/16" X 1-1/4"
64	786806	1	FITTING XBPR40-28L-90°
65	78614201	1	FITTING EVL28LA3C
66	78610401	1	FITTING RED2818LA3C
67	78555501	1	HY.HO.1TA12+E24F90 90° L2750 Vers valve priorité/to priority valve P
68	24020801	1	O-RING 4 X 100 01170141
69	478037	1	WASHER M12U D12.5/D27X2.5 SS A2
70	438037	1	BOLT 12 X 35 8.8 BLACK
71	27033201	1	OIL RADIATOR 2040-0081
72	24013101	1	O-RING R3.53X47.22
73	78625701	1	1/2 FLANGE DN38 1 1/2 3000PSI
74	458091	1	SCREW CHC M 12-35/35 CL12.9 DELT
75	78303101	1	PUMP MPV 046
76	248333	1	O-RING R 3 X 30 80FPM VITON
77	148423	1	ADAPTER 1-5/16" -M36x2
78	78601301	1	PRESSURE GAUGE M12X1,5 EMA3/12X1,5
79	78625901	1	ELBOW 90° MALE SWIVEL
80	78628001	1	ELBOW 90° MALE SWIVEL 28L 1-5/16" UNF
81	78603501	1	FITT.RED.2822LA3C
82	78572801	1	HY.HO.2TA20+E24F90+E24FD L8620
83	78573001	1	HY.HO.2TA20+E24F45+E24FD L8720
84	16585901	1	LEVER FOR PUMP HYD TWIN ALPEVO
85	26047400	1	ACTUATOR 0-130MM L=0,5M/4WIREAMP
86	16615201	1	CYLINDER BRACKET TWIN ALPEVO T3B
87	786895	1	HEX NIPPLE X12L (DIN24)
88	78572601	1	HY.HO.1TA10+E24FD L8200
89	78607201	1	HEX NIPPLE X22L (DIN24)
91	24020901	1	O-Ring R2,5x26 NBR90
92	24021001	1	O-Ring 2,5x20 NBR90
93	24020101	1	SEAL KIT FILTERS SF150-180
94	78626801	1	FILTER PE150 1900216
95	78626601	1	FILTER, HYD OIL, SUCTION, SARITOR (HYDAC)
96	75009001	1	UPDATE KIT, ALPHA T3B HAZ, HYDRAULIC PUMP



F176A



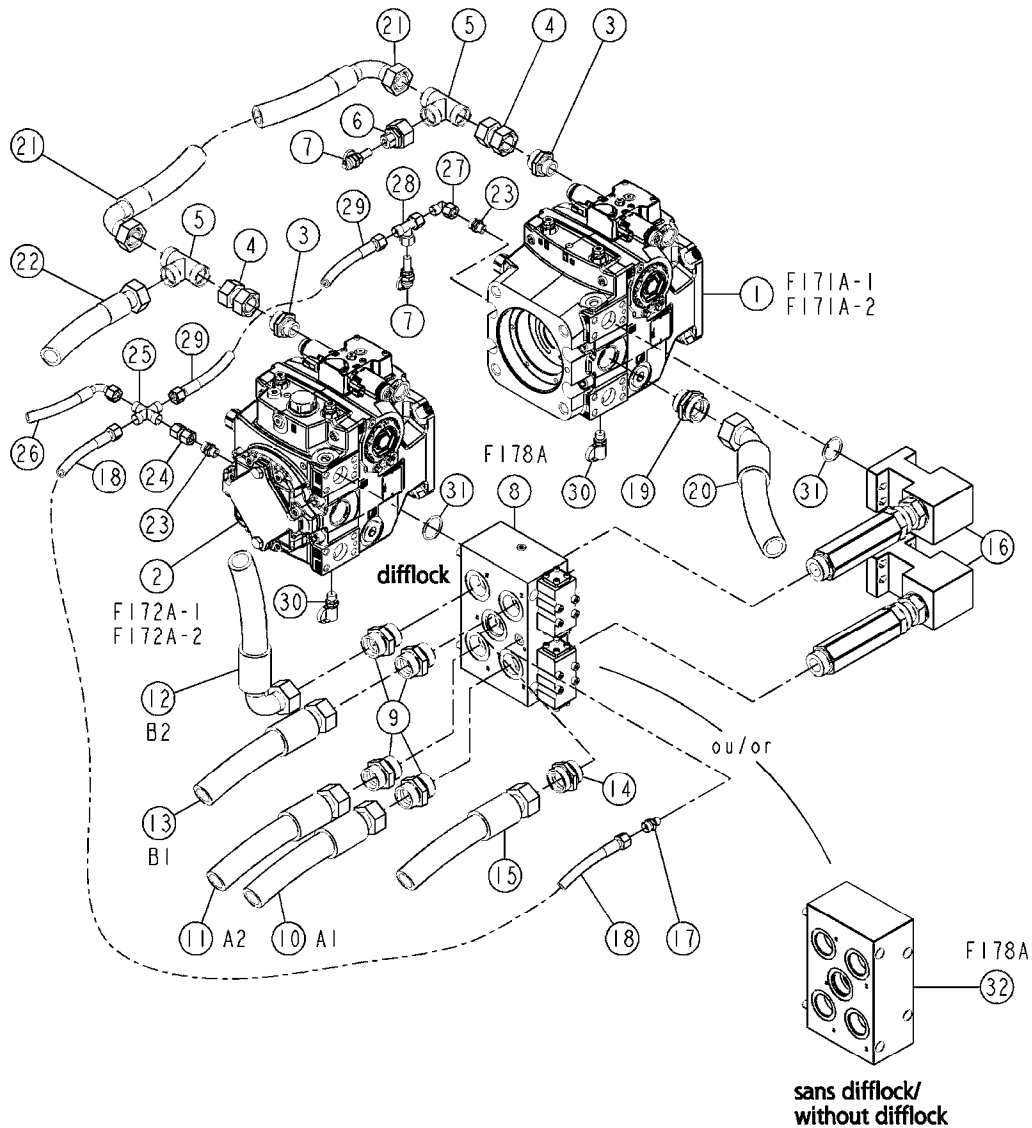
HYD. SOLENOID VALVES ALPHA HAZ
F176A, 08:10:14

Page 1
Date 07.02.2020 7:59

Pos.	parts-n°	order qty	description
1	146708	1	MANIFOLD BLOCK 7XCETOP3
2	218044	1	DOWTY SEAL BS BSP RB00-06 3/8
3	23235700	1	HEX NIPPLE 3/8"-9/16"
4	782118	1	LOCK VALVE MVPP-D
5	782116	1	HY SOLENOID VALVE MD1L-S3/10N-D12K1/P
6	146790	1	PLUG 3/8" RG L=20 SS
7	23234300	1	HEX NIPPLE 3/8"-11/16"
8	23235800	1	HEX NIPPLE 3/8"-9/16" - 0.7mm
9	782115	1	HY SOLENOID VALVE DH HYD
9	78203101	1	Jusqu'au/until n°56277 DIRECTIONAL CONTROL VALVE 4/3, SDHE 0713-x12DC A partir du/from n°56278
10	782114	1	SAFETY VALVE MCD5-DT/51N 175BA
11	78203201	1	Magnetventil SDHE-0610-X12DC
12	458040	1	BOLT CAP HEAD M5X70/22 SS A4
12	458038	1	BOLT CHC 8.8 DEL M5X30/22 Jusqu'au/until n°56277
14	458044	1	VIS CHC M 6-80/24 CL8.8 DELTA
15	242102	1	O-RING Ø9.25X1.78 NITRIL 90SH
16	26038001	1	SOLENOID SDHE SP-COE-12DC/10
17	268562	1	COIL 12V
18	24005501	1	O-RING ORFS 1,78 X 9,25 11/16"
18	24010901	1	O-RING ORFS 1,78 X 7,65 9/16"
19	78203501	1	EMERGENCY CONTROL FOR SDHE VALVE
20	782866	1	CONTROLLED DOUBLE-VALVE A partir du/from n°56278



40 km/h ecodrive



F177A



HYD.PUMP H1 ECODRIVE 25 MPH
F177A, 02:03:15

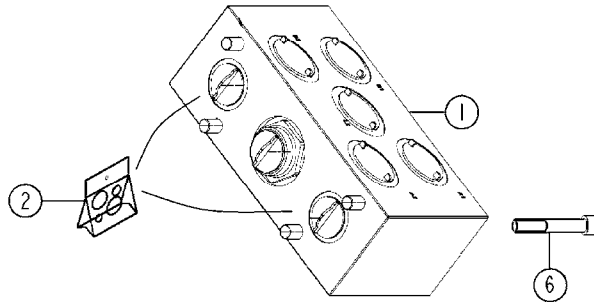
Page 1

Date 07.02.2020 7:59

Pos.	parts-n°	order qty	description
1	78307201	1	PRIMARY HYD PUMP H1, 115cm3, VALVE 210 BAR
2	78307101	1	SECONDARY HYD PUMP H1, 115cm3, VALVE 210 BAR
3	78609001	1	HEX NIPPLE #12ORB-28L/M36X2 (DIN 24)
4	78619501	1	FITTING GZ28L
5	786703	1	FITTING T28LA3C
6	786783	1	FITTING RED2812LA3C
7	78607001	1	TEST PRESSURE PORT M18X1.5 (12L)-M16X2.00
8	78623801	1	DIFF LOCK HYDR. BLOCK 2581-COM-A
9	78614001	1	FITTING GE30SR1.1/4ED-M+D
10	78532101	1	HY.HO.4TA25+E24FD+E24F45 L3660 Vers bloc arrière/to rear block
10	78545601	1	HYDRAULIC HOSE 4TA25+E24FD+E24FD L2210 Option TUV vers té/to tee
11	78532401	1	HYDRAULIC HOSE 4TA25+E24FD+E24F90 L1710 Vers bloc avant/to front block
12	78532301	1	HYDRAULIC HOSE. 4TA25+E24F90 10° L960 Vers bloc avant/to front block
13	78532201	1	HY.HO.4TA25+E24FD+E24F45 L3720 Vers bloc arrière/to rear block
13	78545701	1	HY.HO.4TA25+E24FD+E24FD L2360 Option TUV vers té/to tee
14	78608901	1	HEX NIPPLE DIN24 M45X2.00 (35L)-ORB 1"5/8-12
15	78532501	1	HY.HO.TT32+E24FD+E24F90 L2080 Vers filtre réservoir/to tank filter
16	78625001	1	FLANGE PUMP H1 2633-COM-A
17	78608601	1	FITTING GE12LR1/4A3CX
18	784888	1	HY.HO.2TA10+E24FD L1060
19	78608901	1	HEX NIPPLE DIN24 M45X2.00 (35L)-ORB 1"5/8-12
20	78532001	1	HY.HO.TT32+E24FD+E24F45 L2000 Vers filtre réservoir/to tank filter
21	78537201	1	HY.HO.TT25+E24F90 0° L320
22	78532701	1	HY.HO. 2TT25+E24FD+E24F90 L1465 Vers réservoir/to tank
23	786852	1	FITTING GE12L 9/16"-18UNFA3C
24	78610101	1	FITTING GZ12LA3C
25	78607701	1	FITTING K12LA3C
26	78531801	1	HY.HO.1TA10+E24FD+E24F90 L1100 Vers bloc avant/to front block
27	78606901	1	FITTING EW12L OMDA3C
28	786882	1	HYD. FIT. TEE F-M-M DIN24 M18X1.5 (12L)
29	78533101	1	HY.HO.2TA10+E24FD L240
30	78609101	1	PRESSURE PLUG 9/16"-18UNF 360098
31	248023	1	O-RING R 3.53 X 37.69 20PA77
32	78624801	1	HYD. BLOCK SUR PUMP 2624-COM-A

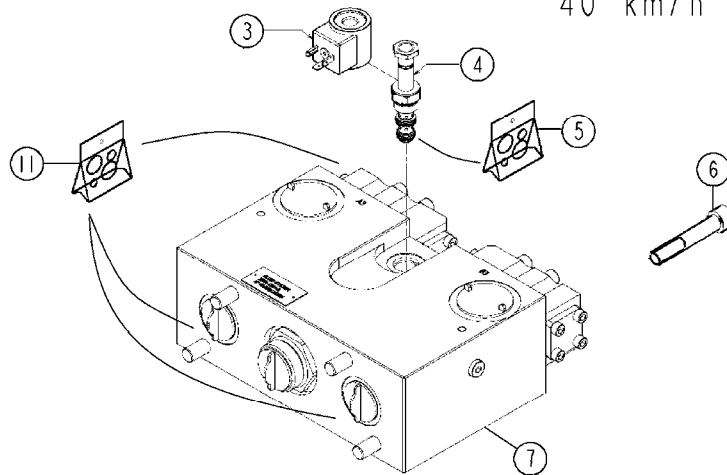


40 km/h ecodrive



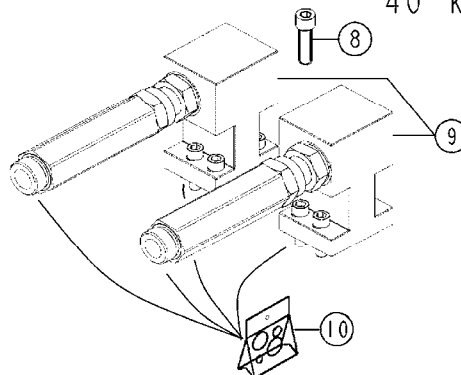
sans difflock/without difflock

40 km/h ecodrive



bloc difflock/difflock block

40 km/h ecodrive



brides de liaison/connecting flanges

F178A

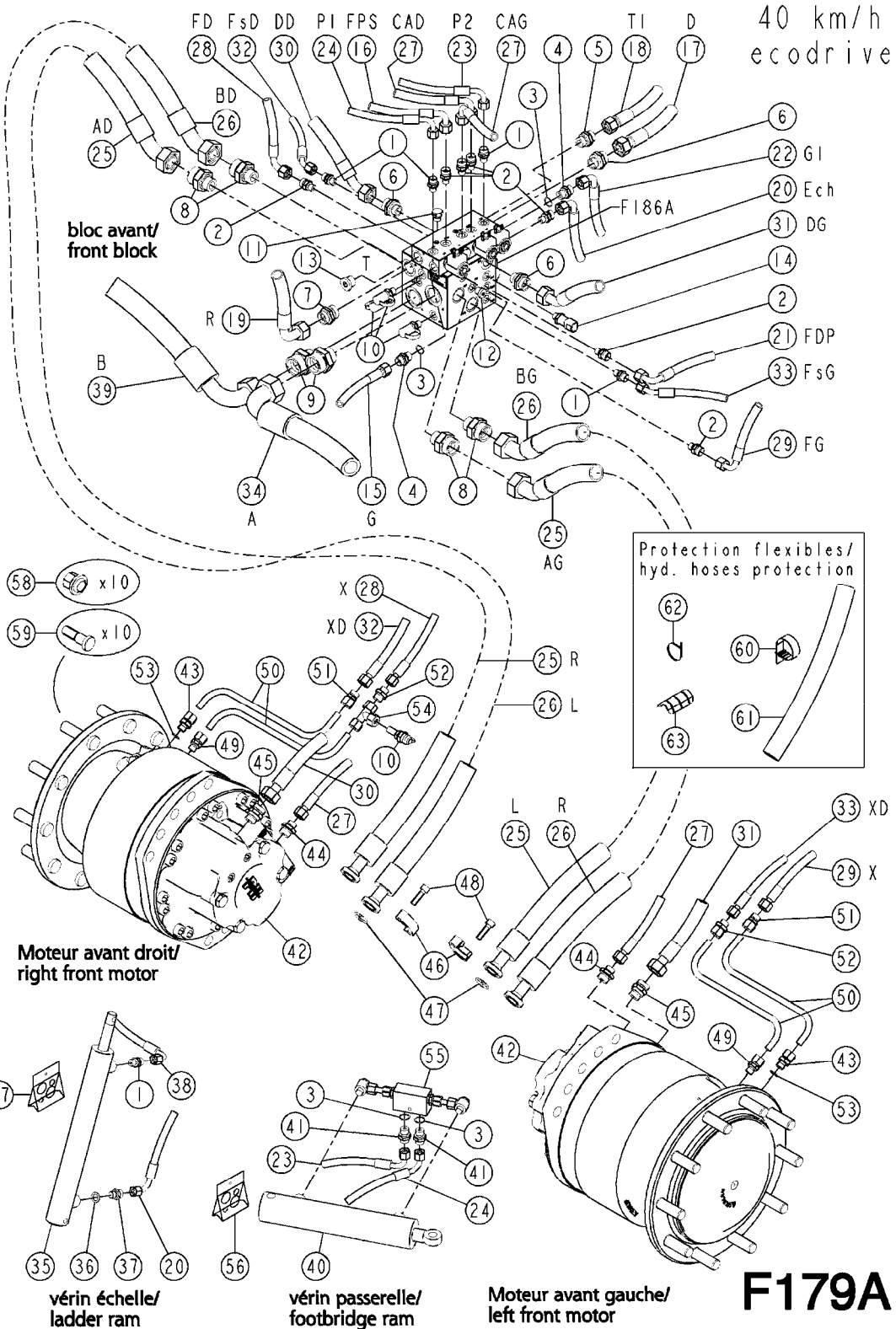


HYD.MANIFOLD DIFF.LOCK
F178A, 02:03:15

Page 1

Date 07.02.2020 7:59

Pos.	parts-n°	order qty	description
1	78624801	1	HYD. BLOCK SUR PUMP 2624-COM-A
2	24016801	1	SEAL KIT SWITCHF 2624-KIT-01-A
3	26006501	1	COIL 12V 1059-1095-B
4	78208901	1	SOLENOID 12V 3/2-3/4"16 UNF
5	24004601	1	ELECT SEAL KIT 1699-KIT-01-A
7	78623801	1	DIFF LOCK HYDR. BLOCK 2581-COM-A
8	458127	1	SCREW CHC M 12-45/30 CL 10.9 DE
9	78625001	1	FLANGE PUMP H1 2633-COM-A
10	24022201	1	KIT, CONNECTING FLANGES
11	24016701	1	SEAL KIT 2581-KIT-01-A





FRONT HYD. TRANSMISSION
ECODRIVE 25 MPH
F179A, 07:04:15

Page 1
Date 07.02.2020 7:59

Pos.	parts-n°	order qty	description
1	78607101	1	FITTING GE10LREDOMDA3C Compl.
2	78608601	1	FITTING GE12LR1/4A3CX
3	218044	1	DOWTY SEAL BS BSP RB00-06 3/8
4	786895	1	HEX NIPPLE X12L (DIN24)
5	78606401	1	FITTING, GE15LREDOMDA3C
6	78612401	1	FITTING GE18LR OMDA3C
7	78612501	1	FITTING GE18LR 3/4BA3C
8	78605801	1	FITTING GE25PSMED27X20MDA3C
9	78610801	1	FITTING GE30PSRED0MD (G1"-30S)
10	78602701	1	PRESSURE PLUG J1844424
11	78623401	1	PLUG VSTI M14X1.5
12	78605301	1	PLUG 1/4"
13	78612001	1	PLUG VSTI R 1/2" ED
14	26020701	1	PRESSURE TRANSMITTER 0-160B MBS1250
15	78531801	1	HY.HO.1TA10+E24FD+E24F90 L1100 Vers croix pompe/to pump cross
16	78529701	1	HYD HOSE 2TA10+E24F90 180° L3610 Vers bloc arrière/to rear block
17	78523501	1	HY.HO.1TA16+E24FD+E2F90 L=450 Vers réservoir/to tank
18	78537301	1	HY.HO.1TA12+E24FD L620 Vers bloc priorité/to priority valve
19	78529901	1	HY.HO.1TA16+E24F45+E24F90 65°L600 Vers nourrice réservoir/to tank collector
20	78531201	1	HY.HO.1TA8+E24F90 180 L3690 Vers échelle/to ladder
21	78531601	1	HYDRAULIC HOSE 2TA10+E24F90 45° L1090 Vers pédale frein/to braking pedal
22	78529601	1	HY.HO.2TA10+E24FD+E24F90 L3655 Vers bloc arrière/to rear block
23	78483001	1	HY.HO.1TA8+E24F90 180° L1860 Vérin passerelle/footbridge ram-sans/without dynam
23	78555901	1	HY.HO.1TA8+E24F90 225° L1000 Vérin passerelle/footbridge ram-avec/with dynamic
24	78483101	1	HY.HO.1TA8+E24F90 215° L1760 Vérin passerelle/footbridge ram-sans/without dynam
24	78555901	1	HY.HO.1TA8+E24F90 225° L1000 Vérin passerelle/footbridge ram-avec/with dynamic
25	78415601	1	HY.HO.4TA20+E24F45+BD L2520 MAV/forward-essieu/axle S-L-GS1,50-1,65m
25	78416901	1	HY.HO.4TA20+E24F45+BD L1930 MAV/forward-essieu/axle S-GS1,10-1,20m
25	78420201	1	HY.HO.4TA20+E24F90+EB06 L2180 MAV/forward-essieu/axle L-GS1,10-1,20m
25	78441701	1	HY.HO.4TA20+E24F45+BD L2370 MAV/forward-essieu/axle XL-GS1,10-1,20m
25	78441701	1	HY.HO.4TA20+E24F45+BD L2370 MAV/forward-essieu/axle M-GS1,50-1,65m
25	78445701	1	HY.HO.4TA20+E24F45+BD L2700 MAV/forward-essieu/axle XL-GS1,50-1,65m
25	78527201	1	HY.HO.4TA20+E24F90+EBD6 L2035 MAV/forward-essieu/axle M-GS1,10-1,20m
26	78537101	1	HY.HO.4TA20+E24F45+BD L2770 MAR/backward-essieu/axle XL-GS1,50-1,65m
26	78441801	1	HY.HO.4TA20+E24F45+BD L2450 MAR/backward-essieu/axle XL-GS1,10-1,20m
26	78441801	1	HY.HO.4TA20+E24F45+BD L2450 MAR/backward-essieu/axle M-GS1,50-1,65m
26	78455401	1	HY.HO.4TA20+E24F45+BD L1970 MAR/backward-essieu/axle S-GS1,10-1,20m



FRONT HYD. TRANSMISSION
 ECODRIVE 25 MPH
 F179A, 07:04:15

Page 2
 Date 07.02.2020 7:59

Pos.	parts-n°	order qty	description
26	78490301	1	HY.HO.4TA20+E24F90+EBD6 L2200 MAR/backward-essieu/axle L-GS1,10-1,20m
26	78490401	1	HY.HO.4TA20+E24F90+EBD6 L2080 MAR/backward-essieu/axle M-GS1,10-1,20m
26	78495801	1	HY.HO.4TA20+E24F45+BD L2570 MAR/forward-essieu/axle S-L-GS1,50-1,65m
27	78436301	1	HY.HO.1TA10+E24FD+E24F90 L2190 Pilotage/déplacement-essieu/axle M-GS1,10-1,20m
27	78495401	1	HY.HO.1TA10+E24FD+E24F45 L2600 Pilotage/déplacement-essieu/axle S-L-GS1,10-1,20m
27	78534901	1	HY.HO.1TA10+E24FD+E24F90 L2320 Pilotage/déplacement-essieu/axle L-GS1,10-1,20m
27	78535301	1	HY.HO.1TA10+E24FD+E24F90 L2110 Pilotage/déplacement-essieu S-GS,10-1,20m
27	78536101	1	HY.HO.1TA10+E24FD+E24F90 L2830 Pilotage/déplacement-essieu/axle XL-GS1,50-1,65m
27	78492801	1	HY.HO.1TA10+E24FD+E24F45 L2470 Pilotage/déplacement-essieu/axle M-/GS1,50-1,65m
27	78542201	1	HY.HO.1TA10+E24FD+E24F90 L2545 Pilotage/déplacement-essieu/axle XL-GS1,10-1,20m
28	78534001	1	HYD HOSE 1TA10+E24FD+E24F90 L1930 Frein parking/parking brake-essieu/axle M-GS1,10-1
28	78535001	1	HY.HO.1TA10+E24FD+E24F90 L2000 Frein parking/parking brake-essieu/axle L-GS1,10-1
28	78490001	1	HY.HO.1TA10+E24FD+E24F45 L2130 Frein parking/parking brake-essieu/axle M-GS1,50-1
28	78490101	1	HY.HO.1TA10+E24FD+E24F45 L2300 Frein parking/parking brake-essieu/axle S-L-GS1,50
28	78492801	1	HY.HO.1TA10+E24FD+E24F45 L2470 Frein parking/parking brake-essieu/axle XL-GS1,10-
28	78535201	1	HY.HO.1TA10+E24FD+E24F90 L2260 Frein parking/parking brake-essieu/axle XL-GS1,10-
28	78540801	1	HY.HO.1TA10+E24FD+E24F90 L1750 Frein parking/parking brake-essieu/axle S-GS1,10-1
29	78434901	1	HY.HO.2TA8+E24F45+E24F90 L3380 Frein parking/parking brake-essieu/axle XL-GS1,10-
29	78490201	1	HY.HO.1TA10+E24FD+E24F45 L2220 Frein parking/parking brake-essieu/axle M-GS1,50-1
29	78495201	1	HY.HO.1TA10+E24FD+E24F45 L2345 Frein parking/parking brake-essieu/axle S-L-GS1,50
29	78495901	1	HY.HO.1TA10+E24FD+E24F45 L2545 Frein parking/parking brake-essieu/axle XL-GS1,50-
29	78508101	1	HYD. HOSE 1TA10+E24FD+E24F90 L1820 Frein parking/parking brake-essieu/axle S-GS1,10-1
29	78534001	1	HYD HOSE 1TA10+E24FD+E24F90 L1930 Frein parking/parking brake-essieu/axle M-GS1,10-1
29	78535101	1	HYD HOSE 1TA10+E24FD+E24F90 L2060 Frein parking/parking brake-essieu/axle L-GS1,10-1
30	78476301	1	HY.HO.1TA16+E24FD+E24F45 L1920 Drain/drain line-essieu/axle S-GS1,10-1,20m
30	78490601	1	HY.HO.1TA16+E24FD+E24F45 L2180 Drain/drain line-essieu/axle L-GS1,10-1,20m
30	78493001	1	HY.HO.1TA16+E24FD+E24F45 L2350 Drain/drain line-essieu/axle XL-GS1,10-1,20m
30	78496101	1	HY.HO.1TA16+E24FD+E24F45 L2545 Drain/drain line-essieu/axle S-L/GS1,50-1,65m
30	78527601	1	HY.HO.1TA16+E24FD+E24F45 L2015 Drain/drain line-essieu/axle M-GS1,10-1,20m
30	78535501	1	HY.HO.1TA16+E24FD+E24F45 L2420 Drain/drain line-essieu/axle M-GS1,50-1,65m



FRONT HYD. TRANSMISSION
ECODRIVE 25 MPH
F179A, 07:04:15

Page 3
Date 07.02.2020 7:59

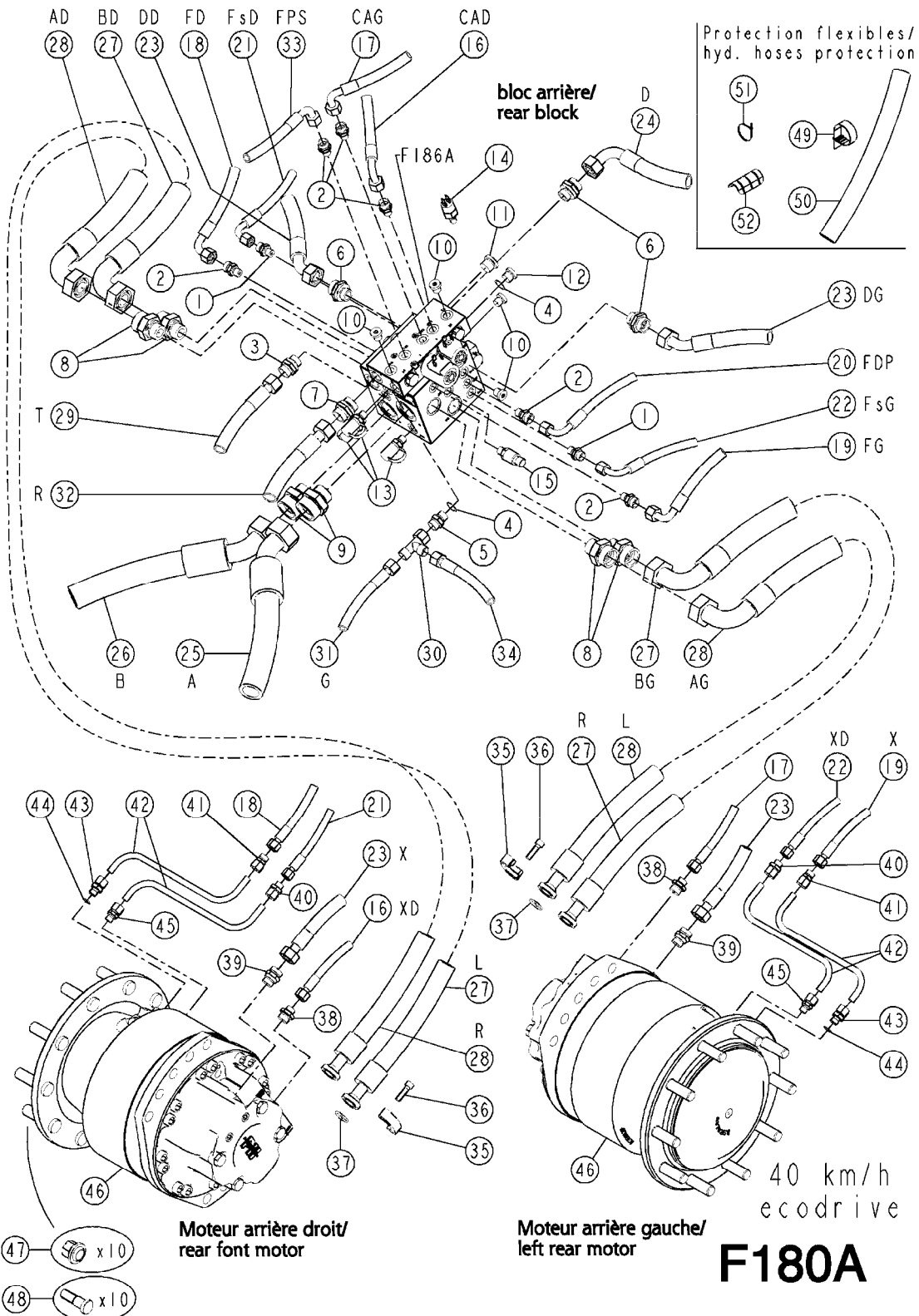
Pos.	parts-n°	order qty	description
30	78536701	1	HY.HO.1TA16+E24FD+E24F45 L2745 Drain/drain line-essieu/axle XL-GS1,50-1,65m
31	78494801	1	HY.HO.1TA16+E24FD+E24F45 L2220 Drain/drain line-essieu/axle L-GS1,10-1,20m
31	78496101	1	HY.HO.1TA16+E24FD+E24F45 L2545 Drain/drain line-essieu/axle S-L/GS1,50-1,65m
31	78527601	1	HY.HO.1TA16+E24FD+E24F45 L2015 Drain/drain line-essieu/axle S-GS1,10-1,20m
31	78527701	1	HY.HO.1TA16+E24FD+E24F45 L2015 Drain/drain line-essieu/axle M-GS1,10-1,20m
31	78535501	1	HY.HO.1TA16+E24FD+E24F45 L2420 Drain/drain line-essieu/axle XL-GS1,10-1,20m
31	78535501	1	HY.HO.1TA16+E24FD+E24F45 L2420 Drain/drain line-essieu/axle M-GS1,50-1,65m
31	78536701	1	HY.HO.1TA16+E24FD+E24F45 L2745 Drain/drain line-essieu/axle XL-GS1,50-1,65m
32	78496301	1	HY.HO.1TA8+E24FD+E24F45 L2325 Frein service/service brake-essieu/axle S-L-GS1,50
32	78496301	1	HY.HO.1TA8+E24FD+E24F45 L2325 Frein service/service brake-essieu/axle XL-GS1,10-
32	78513001	1	HY.HO.1TA8+E24FD+E24F45 L2100 Frein service/service brake-essieu/axle L-GS1,10-1
32	78527401	1	HY.HO.1TA8+E24FD+E24F45 L1975 Frein service/service brake-essieu/axle M-GS1,10-1
32	78534601	1	HY.HO.1TA8+E24FD+E24F45 L1875 Frein service/service brake-essieu/axle S-GS1,10-1
32	78534701	1	HY.HO.1TA8+E24FD+E24F45 L2160 Frein service/service brake-essieu/axle M-GS1,50-1
32	78536901	1	HY.HO.1TA8+E24FD+E24F45 L2490 Frein service/service brake-essieu/axle XL-GS1,50-
33	78496301	1	HY.HO.1TA8+E24FD+E24F45 L2325 Frein service/service brake-essieu/axle M-GS1,50-1
33	78511901	1	HY.HO.1TA8+E24FD+E24F45 L1940 Frein service/service brake-essieu/axle S-GS1,10-1
33	78527501	1	HY.HO.1TA8+E24FD+E24F45 L2035 Frein service/service brake-essieu/axle M-GS1,10-1
33	78534701	1	HY.HO.1TA8+E24FD+E24F45 L2160 Frein service/service brake-essieu/axle L-GS1,10-1
33	78534801	1	HY.HO.1TA8+E24FD+E24F45 L2360 Frein service/service brake-essieu/axle XL-GS1,10-
33	78536901	1	HY.HO.1TA8+E24FD+E24F45 L2490 Frein service/service brake-essieu/axle S-L-GS1,50
33	78537001	1	HY.HO.1TA8+E24FD+E24F45 L2630 Frein service/service brake-essieu/axle XL-GS1,50-
34	78532301	1	HYDRAULIC HOSE. 4TA25+E24F90 10° L960 Vers difflock/to difflock
35	78103101	1	CYLINDER, 60/30, C410, LADDER, SARITOR Passerelle large/wide footbridge
35	78104201	1	CYLINDER DE 50/25 C250 FP/TP
36	218043	1	DOWTY SEAL BS BSP RB00-04 1/4
37	148302	1	ADAP G1/4-M16X1.5-D1 FOSCOAT
38	78469301	1	HY.HO.1TA8+E24F90 0° L3970
39	78532401	1	HYDRAULIC HOSE 4TA25+E24FD+E24F90 L1710 Vers difflock/to difflock
40	781846	1	CYLINDER 50/25X180 FP/TO
41	786896	1	FITTING A10-LR3/8X
42	78305001	1	HYD MOTOR MS18-F-C21-R18-A520-8DMF 1650/660 cm3-25-40 km/h
42	78305001ES	1	ES MOT MS18-F-C21-A18-X52X58DM 1650/660 cm3-25-40 km/h



FRONT HYD. TRANSMISSION
ECODRIVE 25 MPH
F179A, 07:04:15

Page 4
Date 07.02.2020 7:59

Pos.	parts-n°	order qty	description
42	78305501	1	HYD MOTOR MS18-F-C21-R18-A520-78DMF 1650/660 cm3 diamond-25 km/h
42	78305501ES	1	ES MOT MS18-F-C21R18-A52078DMF 1650/660 cm3 diamond-25 km/h
43	14007601	1	FITTING M16x1,5 12L RESTRICTOR 1mm Avec gicleur 1mm/with restrictor 1mm
43	78606301	1	NIPPLE HYDR. 12MM Sans gicleur/without restrictor
44	78608701	1	FITTING GE12LM22X1
45	78606001	1	FITTING GE18LM22X150 OMDA3C
46	786765	1	1/2 FLANGE DN 3/4" 6000PSI PH75
47	248021	1	O-RING 3.53 x 24.99 12PA77
48	45000601	1	SCREW CHC M 10-35/30 CL 10.9 DE
49	786702	1	NIPPLE HYDR. 12MM
50	15053601	1	TUBE HYD BRAKE C18 GS1.10-1.20 Garde au sol/ground clearance 1,10-1,20m
50	15060501	1	TUBE HYD FREIN C18 GS1,65M Garde au sol/ground clearance 1,50-1,65m
51	78606501	1	HYD NIPPLE G12LA3C
52	78612901	1	FITTING GR1210LA3C
53	24005601	1	O-RING, Ø13.8 F.HYD.FIT. M16X1,5
54	786882	1	HYD. FIT. TEE F-M-M DIN24 M18X1.5 (12L)
55	78203801	1	CLAPET COMPLET ARSPCIF+KIT750
56	248252	1	CYLINDER SEAL KIT DE50/25 J2550
57	248252	1	CYLINDER SEAL KIT DE50/25 J2550
57	248243	1	SEAL KIT
57	248332	1	SEAL KIT F. CYL. DE60/30 J73 Passerelle large/wide footbridge
58	27019601	1	SET OF 10 WHEEL NUTS M22X1.5-80
59	27019701	1	SET OF 10 WHEEL STUDS M22X1.5-80
60	28053401	1	VELCRO STRIP Ø100
61	78633901	1	TEXTILE VELCRO SHEATH Ø80 L800 Essieu/axle S-M
61	78634001	1	TEXTILE VELCRO SHEATH Ø80 L1000 Essieu/axle L
61	78634101	1	TEXTILE VELCRO SHEATH Ø80 L1200 Essieu/axle XL
62	28059901	1	COLLAR 363X4.7MM-Ø25MM BLACK
63	28056601	1	HYD. HOSE PROTECTION L4" BLACK
63	28056701	1	HYD. HOSE PROTECTION L6" BLACK





REAR HYD. TRANSMISSION
ECODRIVE 25 MPH
F180A, 25:01:16

Page 1
Date 07.02.2020 7:59

Pos.	parts-n°	order qty	description
1	78607101	1	FITTING GE10LREDOMDA3C Compl.
2	78608601	1	FITTING GE12LR1/4A3CX
3	78606401	1	FITTING, GE15LREDOMDA3C
4	218044	1	DOWTY SEAL BS BSP RB00-06 3/8
5	786895	1	HEX NIPPLE X12L (DIN24)
6	78612401	1	FITTING GE18LR OMDA3C
7	78612501	1	FITTING GE18LR 3/4BA3C
8	78605801	1	FITTING GE25PSMED27X20MDA3C
9	78610801	1	FITTING GE30PSRED0MD (G1"-30S)
10	78605301	1	PLUG 1/4"
11	78612001	1	PLUG VSTI R 1/2" ED
12	786888	1	PLUG 3/8"
13	78602701	1	PRESSURE PLUG J1844424
14	26005601	1	PROBE 90°C NC M14X1,5
15	26006801	1	PRESSURE TRANSMITTER, 0-600B, TYPE MBS 1250
16	78438301	1	HY.HO.1TA10+E24FD+E24F90 L2150 Pilotage/displacement-essieu/axle M-GS1,10-1,20m
16	78535101	1	HYD HOSE 1TA10+E24FD+E24F90 L2060 pilotage/displacement-essieu/axle S-GS1,10-1,20m
16	78535201	1	HY.HO.1TA10+E24FD+E24F90 L2260 Pilotage/displacement-essieu/axle L-GS1,10-1,20m
16	78535401	1	HY.HO.1TA10+E24FD+E24F90 L2470 Pilotage/displacement-essieu/axle XL-GS1,10-1,20m
16	78536101	1	HY.HO.1TA10+E24FD+E24F90 L2830 Pilotage/displacement-essieu/axle M-GS1,50-1,65m
16	78536201	1	HY.HO.1TA10+E24FD+E24F90 L3160 Pilotage/displacement-essieu/axle XL-GS1,50-1,65m
16	78538101	1	HY.HO.1TA10+E24FD+E24F90 L2955 Pilotage/displacement-essieu/axle S-L-GS1,50-1,65m
17	78534001	1	HYD HOSE 1TA10+E24FD+E24F90 L1930 Pilotage/displacement-essieu/axle S-GS1,10-1,20m
17	78534901	1	HY.HO.1TA10+E24FD+E24F90 L2320 Pilotage/displacement-essieu/axle XL-GS1,10-1,20m
17	78535001	1	HY.HO.1TA10+E24FD+E24F90 L2000 Pilotage/displacement-essieu/axle M-GS1,10-1,20m
17	78535301	1	HY.HO.1TA10+E24FD+E24F90 L2110 Pilotage/displacement-essieu/axle L-GS1,10-1,20m
17	78536101	1	HY.HO.1TA10+E24FD+E24F90 L2830 Pilotage/displacement-essieu/axle M-GS1,50-1,65m
17	78536201	1	HY.HO.1TA10+E24FD+E24F90 L3160 Pilotage/displacement-essieu/axle XL-GS1,50-1,65m
17	78542601	1	HY.HO.1TA10+E24FD+E24F90 L2645 Pilotage/displacement-essieu/axle S-L/GS1,50-1,65m
18	78534001	1	HYD HOSE 1TA10+E24FD+E24F90 L1930 Frein parking/parking brake-essieu/axle S-GS1,10-1
18	78534901	1	HY.HO.1TA10+E24FD+E24F90 L2320 Frein parking/parking brake-essieu/axle XL-GS1,10-
18	78535001	1	HY.HO.1TA10+E24FD+E24F90 L2000 Frein parking/parking brake-essieu/axle M-GS1,10-1
18	78535301	1	HY.HO.1TA10+E24FD+E24F90 L2110 Frein parking/parking brake-essieu/axle L-GS1,10-1
18	78535401	1	HY.HO.1TA10+E24FD+E24F90 L2470 Frein parking/parking brake-essieu/axle M-GS1,50-1
18	78542401	1	HY.HO.1TA10+E24FD+E24F90 L2795 rein parking/parking brake-essieu/axle XL-GS1,50-1
18	78542501	1	HY.HO.1TA10+E24FD+E24F90 L2570 Frein parking/parking brake-essieu/axle S-L-GS1,50
19	78526901	1	HY.HO.1TA10+E24FD+E24F90 L2345 Frein parking/parking brake-essieu/axle M-GS1,10-1
19	78534901	1	HY.HO.1TA10+E24FD+E24F90 L2320 Frein parking/parking brake-essieu/axle S-GS1,10-1



REAR HYD. TRANSMISSION
ECODRIVE 25 MPH
F180A, 25:01:16

Page 2
Date 07.02.2020 7:59

Pos.	parts-n°	order qty	description
19	78535401	1	HY.HO.1TA10+E24FD+E24F90 L2470 Frein parking/parking brake-essieu/axle L-GS1,10-1
19	78536101	1	HY.HO.1TA10+E24FD+E24F90 L2830 Frein parking/parking brake-essieu/axle XL-GS1,50-
19	78538101	1	HY.HO.1TA10+E24FD+E24F90 L2955 Frein parking/parking brake-essieu/axle S-L-GS1,50
19	78542101	1	HY.HO.1TA10+E24FD+E24F90 L1880 Frein parking/parking brake-essieu/axle XL-GS1,10-
19	78542301	1	HY.HO.1TA10+E24FD+E24F90 L2500 Frein parking/parking brake-essieu/axle M-GS1,50-1
20	78531701	1	HY.HO.1TA8+E24F90 270° L4635
21	78474401	1	HY.HO.1TA8+E24FD+E24F90 L2000 Fuite/drain-essieu/axle L-GS1,10-1,20m
21	78474501	1	FL. 1TA8+E24FD+E24F90 L1880 Fuite/drain-essieu/axle-GS1,10-1,20m
21	78541701	1	HY.HO.1TA8+E24FD+E24F90 L2180 Fuite/drain-essieu/axle XL-GS1,10-1,20m
21	78541801	1	HY.HO.1TA8+E24FD+E24F90 L2430 Fuite/drain-essieu/axle M-GS1,50-1,65m
21	78541901	1	HY.HO.1TA8+E24FD+E24F90 L2430 Fuite/drain-essieu/axle S-L-GS1,50-1,65m
21	78542001	1	HY.HO.1TA8+E24FD+E24F90 L2760 Fuite/drain-essieu/axle XL-GS1,50-1,65m
21	785945	1	HY.HO.1TA8+E24FD+E24F90 L1800 Fuite/drain-essieu/axle S-GS1,10-1,20m
22	78474501	1	FL. 1TA8+E24FD+E24F90 L1880 Fuite/drain-essieu/axle S-GS1,10-1,20m
22	78474501	1	FL. 1TA8+E24FD+E24F90 L1880 Fuite/drain-essieu/axle L-GS110-1,20m
22	78527801	1	HY.HO.1TA8+E24FD+E24F90 L1935 Fuite/drain-essieu/axle M-GS1,10-1,20m
22	78541601	1	HY.HO.1TA8+E24FD+E24F90 L2100 Fuite/drain-essieu/axle XL-GS1,10-1,20m
22	78541801	1	HY.HO.1TA8+E24FD+E24F90 L2430 Fuite/drain-essieu/axle M-GS1,50-1,65m
22	78541901	1	HY.HO.1TA8+E24FD+E24F90 L2430 Fuite/drain-essieu/axle S-L-GS1,50-1,65m
22	78542001	1	HY.HO.1TA8+E24FD+E24F90 L2760 Fuite/drain-essieu/axle XL-GS1,50-1,65m
23	78476301	1	HY.HO.1TA16+E24FD+E24F45 L1920 Drain/drain line-essieu/axle S-GS110-1,20m
23	78493001	1	HY.HO.1TA16+E24FD+E24F45 L2350 Drain/drain line-essieu/axle XL-GS1,10-1,20m
23	78527001	1	HY.HO.1TA16+E24FD+E24F90 L2025 Drain/drain line-essieu/axle M-GS1,10-1,20m
23	78530001	1	HY.HO.1TA16+E24FD+E24F90 L2750 Drain/drain line-essieu/axle S-L-GS1,50-1,65m
23	78535601	1	HY.HO.1TA16+E24FD+E24F90 L2130 Drain/drain line-essieu/axle L-GS1,10-1,20m
23	78536601	1	HY.HO.1TA16+E24FD+E24F90 L2630 Drain/drain line-essieu/axle M-GS1,50-1,65m
23	78536801	1	HY.HO.1TA16+E24FD+E24F90 L2960 Drain/drain line-essieu/axle XL-GS1,50-1,65m
24	78543201	1	HY.HO.1TA16+E24F90 180° L3500
25	78532101	1	HY.HO.4TA25+E24FD+E24F45 L3660 Vers/to diff-lock
25	78545501	1	HY.HO.4TA25+E24F90+E24F45 L1390 Option TUV vers té/to tee
26	78532201	1	HY.HO.4TA25+E24FD+E24F45 L3720 Vers/to diff-lock



REAR HYD. TRANSMISSION
ECODRIVE 25 MPH
F180A, 25:01:16

Page 3
Date 07.02.2020 7:59

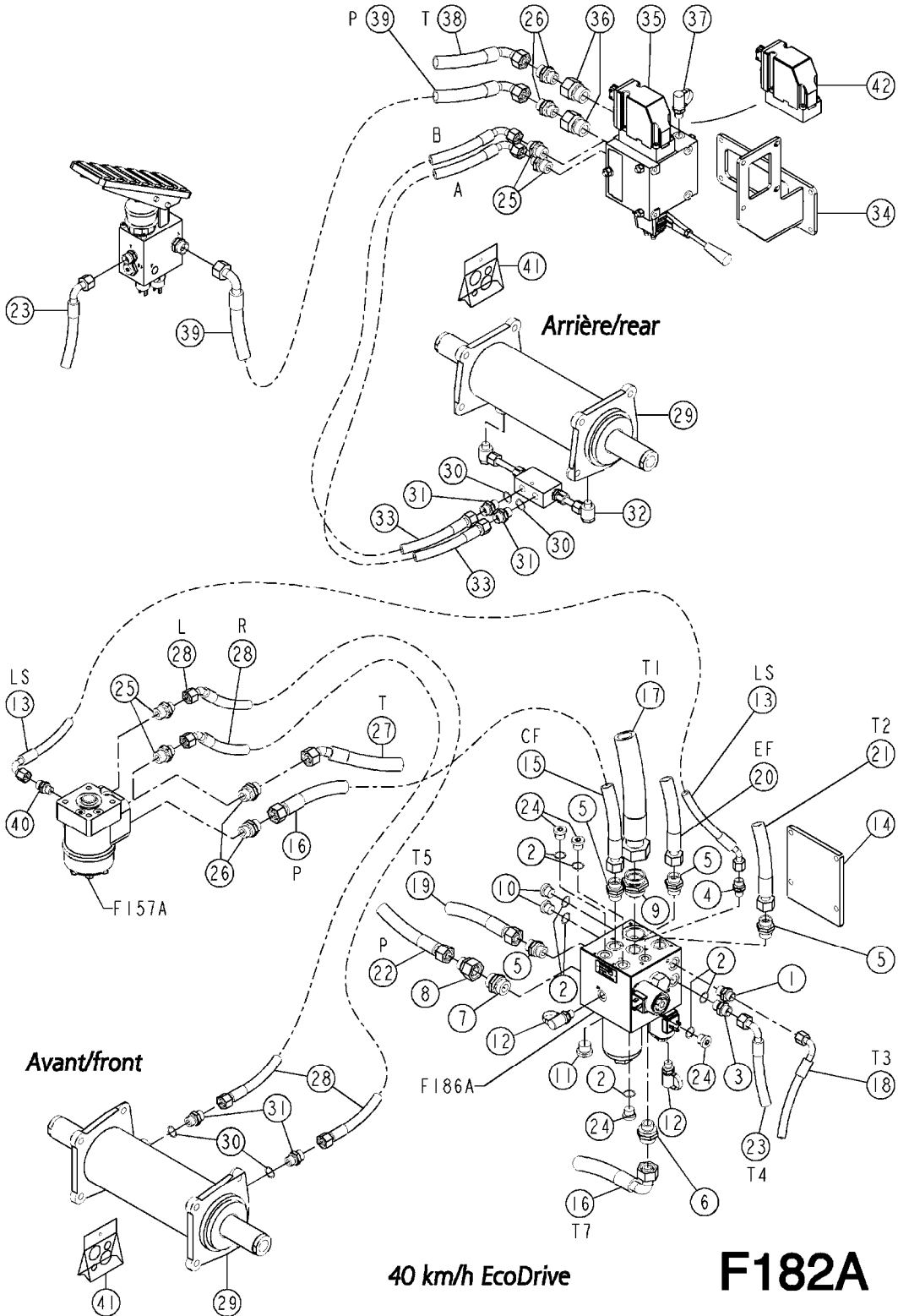
Pos.	parts-n°	order qty	description
26	78545301	1	HY.HO.4TA25+E24FD+E24F45 L1275 Option TUV vers té/to tee
27	78402301	1	HYDRAULIC HOSE F. ALPHA L=2000 MAR/backward-essieu/axle S-GS1,10-1,20m
27	78490301	1	HY.HO.4TA20+E24F90+EBD6 L2200 MAR/backward-essieu/axle L-GD1,10-1,20m
27	78490401	1	HY.HO.4TA20+E24F90+EBD6 L2080 MAR/backward-essieu/axle M-GS1,10-1,20m
27	78492501	1	HY.HO.4TA20+E24F90+EBD6 L2430 MAR/backward-essieu/axle XL-GS1,10-1,20m
27	78536401	1	HY.HO.L= 2950 90-STR DIN24 MAR/backward-essieu/axle XL-GS1,50-1,65m
27	78538201	1	HY.HO.4TA20+E24F90+EBD6 L2725 MAR/backward-essieu/axle S-L-GS1,50-1,65m
27	78541901	1	HY.HO.1TA8+E24FD+E24F90 L2430 MAR/backward-essieu/axle M-GS1,50-1,65m
28	78413101	1	HY.HO.4TA20+E24F90+EBD6 L2300 MAV/forward-essieu/axle XL-GS1,10-1,20m
28	78470901	1	HY.HO.4TA20+E24F90+EBD6 L1880 MAV/forward-essieu/axle S-GS1,10-1,20m
28	78490401	1	HY.HO.4TA20+E24F90+EBD6 L2080 MAV/forward-essieu/axle L-GS1,10-1,20m
28	78527301	1	HY.HO.4TA20+E24F90+EBD6 L1955 MAV/forward-essieu/axle M-GS1,10-1,20m
28	78536401	1	HY.HO.L= 2950 90-STR DIN24 MAV/forward-essieu/axle XL-GS1,50-1,65m
28	78538301	1	HY.HO.4TA20+E24F90+EBD6 L2745 MAV/forward-essieu/axle S-L-GS1,50-1,65m
28	78541901	1	HY.HO.1TA8+E24FD+E24F90 L2430 MAV/forward-essieu/axle M-GS1,50-1,65m
29	78531301	1	HY.HO.1TA12+E24FD L2450 Vers vanne 2 voies/to 2 way valve
30	786882	1	HYD. FIT. TEE F-M-M DIN24 M18X1.5 (12L)
31	78529601	1	HY.HO.2TA10+E24FD+E24F90 L3655 Vers bloc avant/to front block
32	78530001	1	HY.HO.1TA16+E24FD+E24F90 L2750 Vers nouricce réservoir/to tank collector
33	78529701	1	HYD HOSE 2TA10+E24F90 180° L3610 Vers bloc avant/to front block
34	78531901	1	HY.HO.1TA10+E24FD+E24F90 L945 Vers régulateur pompe pulvé/to spraying pump regul
35	786765	1	1/2 FLANGE DN 3/4" 6000PSI PH75
36	458107	1	MACHINE SCREW M10 X 35 GR 12.9
37	248021	1	O-RING 3.53 x 24.99 12PA77
38	78608701	1	FITTING GE12LM22X1
39	78606001	1	FITTING GE18LM22X150 OMDA3C
40	78612901	1	FITTING GR1210LA3C
41	78606501	1	HYD NIPPLE G12LA3C
42	15053601	1	TUBE HYD BRAKE C18 GS1.10-1.20 MS18-garde au sol/ground clearance 1,10-1,20m
42	15060501	1	TUBE HYD FREIN C18 GS1,65M MS18-garde au sol/ground clearance 1,50-1,65m
42	15062301	1	TUBE HYD FREIN C35 MS35-garde au sol/ground clearance 1,10-1,20m
43	14007601	1	FITTING M16x1,5 12L RESTRICTOR 1mm
43	78606301	1	NIPPLE HYDR. 12MM Sans gicleur/without restrictor
44	24005601	1	O-RING, Ø13.8 F.HYD.FIT. M16X1,5
45	786702	1	NIPPLE HYDR. 12MM



REAR HYD. TRANSMISSION
ECODRIVE 25 MPH
F180A, 25:01:16

Page 4
Date 07.02.2020 7:59

Pos.	parts-n°	order qty	description
46	78305001	1	HYD MOTOR MS18-F-C21-R18-A520-8DMF 1650/660 cm3-40 km/h
46	78305001ES	1	ES MOT MS18-F-C21-A18-X52X58DM 1650/660 cm3-40 km/h
46	78305101	1	HYD MOTOR MS18-2-A11-R18-DT20-58DEJM 2099/1049 cm3-25 km/h
46	78305101ES	1	MS MOT MS18-2-A21-R18-A5208DMF 2099/1049-25 km/h
46	78305401	1	HYD MOTOR MS18-2-A21-R18-A520-78DMF 2099/1049 cm3 diamond-25-40 km/h
46	78305401ES	1	ES MOT MS18-2-A21R18-A52078DMF 2099/1049 diamond-25-40 km/h
46	78305901	1	HYD MOTOR MS35-Y-C21-R18-A520-8DMF 2486/1091 cm3-40km/h
47	27019601	1	SET OF 10 WHEEL NUTS M22X1.5-80
48	27019701	1	SET OF 10 WHEEL STUDS M22X1.5-80
49	28053401	1	VELCRO STRIP Ø100
50	78633901	1	TEXTILE VELCRO SHEATH Ø80 L800 Essieu/axle S-M
50	78634001	1	TEXTILE VELCRO SHEATH Ø80 L1000 Essieu/axle L
50	78634101	1	TEXTILE VELCRO SHEATH Ø80 L1200 Essieu/axle XL
51	28059901	1	COLLAR 363X4.7MM-Ø25MM BLACK
52	28056601	1	HYD. HOSE PROTECTION L4" BLACK
52	28056701	1	HYD. HOSE PROTECTION L6" BLACK





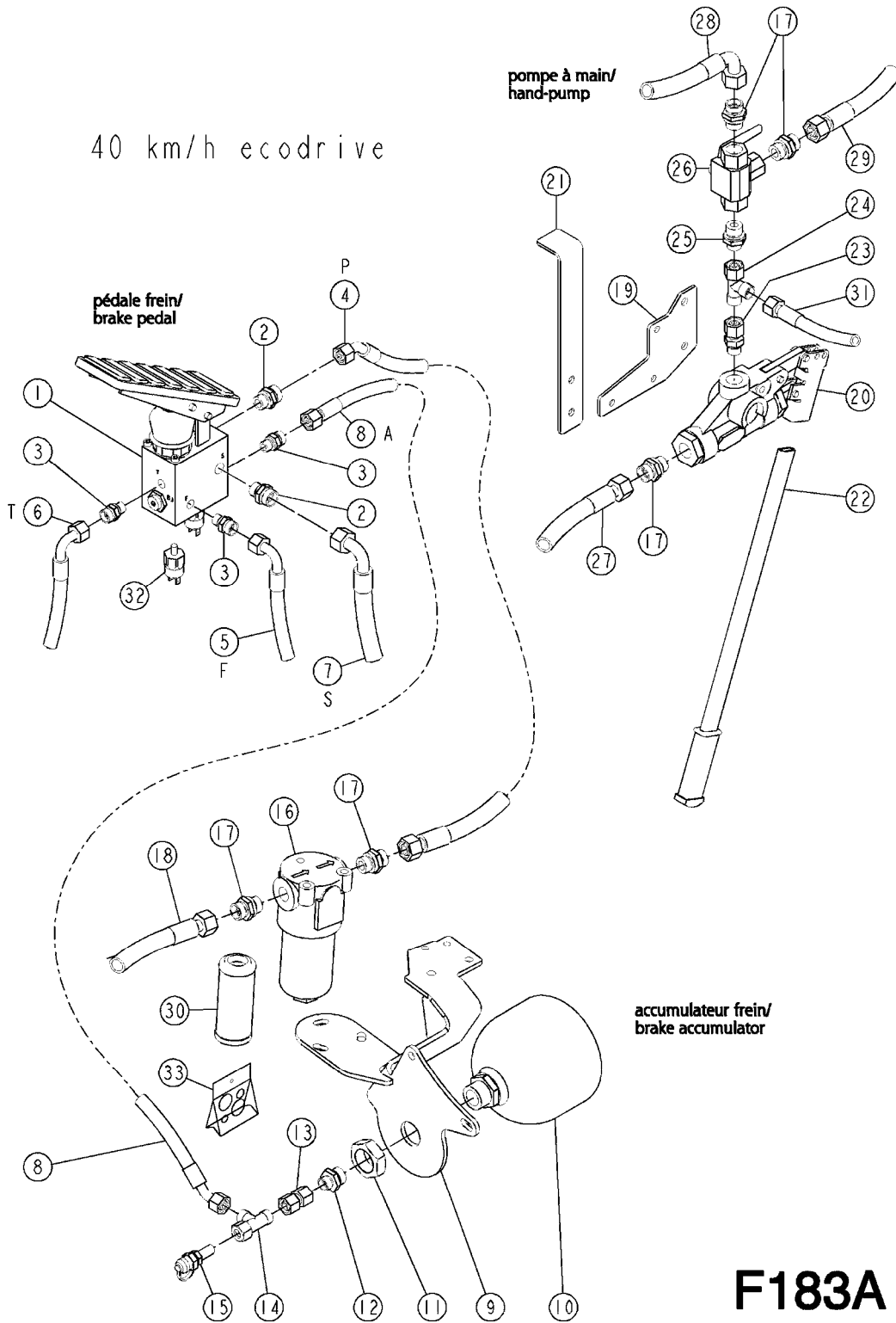
HYD.STEERING PVG32 ECODRIVE
25 MPH
F182A, 20:01:15

Page 1
Date 07.02.2020 7:59

Pos.	parts-n°	order qty	description
1	786896	1	FITTING A10-LR3/8X
2	218044	1	DOWTY SEAL BS BSP RB00-06 3/8
3	786895	1	HEX NIPPLE X12L (DIN24)
4	78607101	1	FITTING GE10LREDOMDA3C Compl.
5	78606401	1	FITTING, GE15LREDOMDA3C
6	78612401	1	FITTING GE18LR OMDA3C
7	78612501	1	FITTING GE18LR 3/4BA3C
8	78606701	1	RACCORD RED1815LA3C
9	78602401	1	FITTING GE28LRED 1"
10	786888	1	PLUG 3/8"
11	78612001	1	PLUG VSTI R 1/2" ED
12	78602701	1	PRESSURE PLUG J1844424
13	78530601	1	HY.HO.1TA8+E24F45+E24F90 L1490
14	16594501	1	PRIORITY BLOCK BRACKET, ALPEVO
15	78530401	1	HY.HO.1TA12+E24FD L1250
16	78479601	1	HY.HO.3/4"L= 8150MM STR-90 (DIN 24) Vers distributeurs rampe/to boom valves T
17	784926	1	HY.HO.2TT25+E24FD+E24F90 L770 Vers réservoir/to tank
18	78469301	1	HY.HO.1TA8+E24F90 0° L3970 Vers échelle/to ladder
19	78531401	1	HY.HO.1TA12+E24FD+E24F90 L960 Vers vanne frein/to braking valve
20	78562201	1	HY.HO.5/8"L= 8700MM STR-STR (DIN 24) Vers distributeurs rampe P/to boom valves P
21	78537301	1	HY.HO.1TA12+E24FD L620 Vers bloc avant T/to front block T
22	78512601	1	HY.HO.1TA12+E24F90+E24F45 L520 Vers ancienne pompe 19cm3/to old pump 19cm3
22	78554801	1	HY.HO.1TA12+E24F90+E24F45 L1230 Vers pompe 17cm3/to pump 17cm3-rampe ALU et HPZ/AL
22	78555501	1	HY.HO.1TA12+E24F90 90° L2750 Vers pompe 17cm3/to pump 17cm3-rampe HAZ/HAZ boom
23	78533601	1	HY.HO.1TA10+E24F90 90°L500 Vers pédale T/to pedal T
24	786888	1	PLUG 3/8"
25	786892	1	FITTING GE12LR1/2A3C
26	78606401	1	FITTING, GE15LREDOMDA3C
27	78531101	1	HY.HO.1TA12+E24FD+E24F45 L1530
28	784942	1	HYD.HOSE L=1585MM
29	78101601	1	CYLINDER 90/40 C150 M22X250
30	218044	1	DOWTY SEAL BS BSP RB00-06 3/8
31	786895	1	HEX NIPPLE X12L (DIN24)
32	782857	1	VALVE COMPLETE ARDP6-750
33	78537601	1	HY.HO.1TA10+E24FD+E24F90 L1710
34	61037501	1	SUPPORT VANNE PVG32 ALPHA EVO
35	782848	1	VALVE PVG32+COIL PVEA
36	RA10AA7249	1	RACCORD RI3/4'1/2'A3C
37	78602701	1	PRESSURE PLUG J1844424
38	78537501	1	HY.HO.1TA12+E24FD+E24F90 L1535
39	78537401	1	HY.HO.1TA12+E24F90 45° L4920
40	78607101	1	FITTING GE10LREDOMDA3C Compl.
41	248156	1	SEAL KIT 470.919040/DT
42	26039001	1	VALVE PVEA 157B4735



40 km/h ecodrive



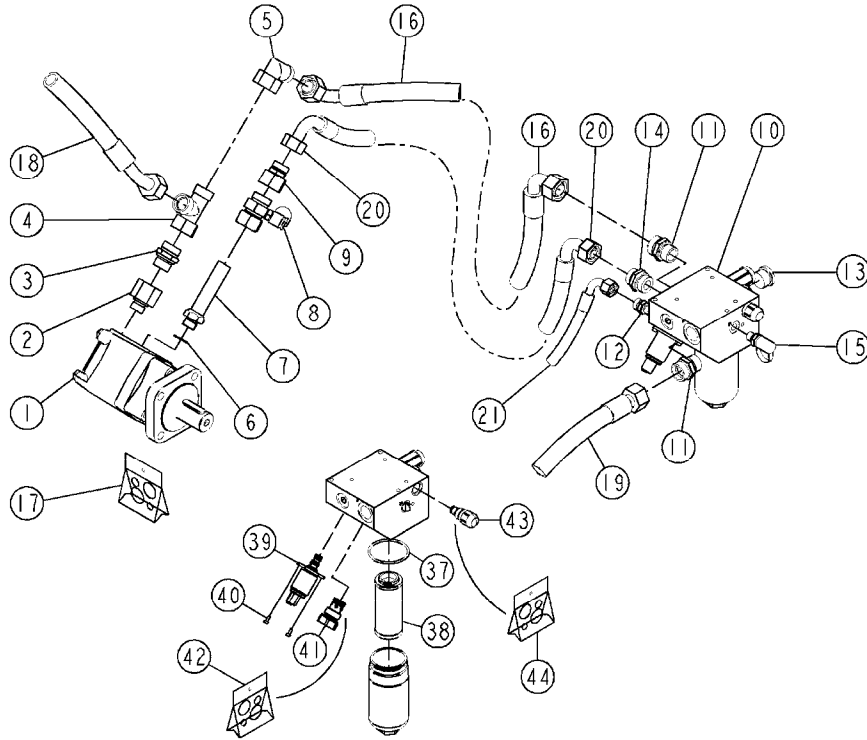


Pos.	parts-n°	order qty	description
1	782837	1	PEDAL VB-110-5P0-31-C55040000
2	78606101	1	NIPPLE HYDR. 15MM
3	786702	1	NIPPLE HYDR. 12MM
4	78533401	1	HY.HO.1TA12+E24FD+E24F45 L1570
5	78531601	1	HYDRAULIC HOSE 2TA10+E24F90 45° L1090 Vers bloc avant FS/to front block FS
6	78533601	1	HY.HO.1TA10+E24F90 90°L500 Vers bloc priorité T4/to priority block T4
7	78470201	1	HY.HO.1TA12+E24FD+E24F90 L1250 Vers bloc priorité T2/to priority block T2
8	78533501	1	HY.HO.1TA10+E24FD+E24F45 L2645
9	61011701	1	BRAKE ACCUMULATOR BRACKET ALPHA
10	782843	1	ACCUMULATOR ELM 1,4-180/90/CF/80
11	14000801	1	NUT HEX JAM M33X1.5 DAC RIGHT THREAD
12	78608701	1	FITTING GE12LM22X1
13	78610101	1	FITTING GZ12LA3C
14	78606201	1	FITTING T12LA3C
15	78607001	1	TEST PRESSURE PORT M18X1.5 (12L)-M16X2.00
16	782855	1	FILTER FMM050 2 BAC A 10 N P02
17	78606401	1	FITTING, GE15LREDOMDA3C
18	78524601	1	HY.HO.1TA12+E24FD90 120° L500 Vers pompe 6cm3-to pump 6cm3-25-29km/h
18	78533301	1	HY.HO.1TA12+E24FD+E24F90 L730 Vers pompe 6cm3/to pump 6cm3-40km/h
19	16200001	1	SUPPORT POMPE MAIN HYD ALPHA+
20	783899	1	HAND PUMP PM20.106.001.00040
21	16301101	1	VERROU ROBINET DEFREINAG DYNA+
22	78300001	1	HANDLE, HAND PUMP, SARITOR
23	78602501	1	HYD.FIT. 3/8'' M X 12L F (DIN24)
24	786882	1	HYD. FIT. TEE F-M-M DIN24 M18X1.5 (12L)
25	786892	1	FITTING GE12LR1/2A3C
26	782851	1	VALVE 3-WAY L G1/2 A15-094
27	78531501	1	HY.HO.1TA12+E24FD+E24F90 L1650 Vers réservoir/to tank
28	78531401	1	HY.HO.1TA12+E24FD+E24F90 L960 Vers bloc priorité/to priority valve T9-40 km/h
29	78531301	1	HY.HO.1TA12+E24FD L2450 Vers bloc arrière T1/to rear block T1
30	782856	1	FILTER CARTRIDGE HP 050-2A10N
31	78507901	1	HY.HO.1TA10+E24FD+E24F90 L370 Vers vanne ouverture capot/to valve bonnet
32	268455	1	SENSOR
32	268465	1	SENSOR
33	248280	1	SEAL KIT FMM050 0205314 BUNA



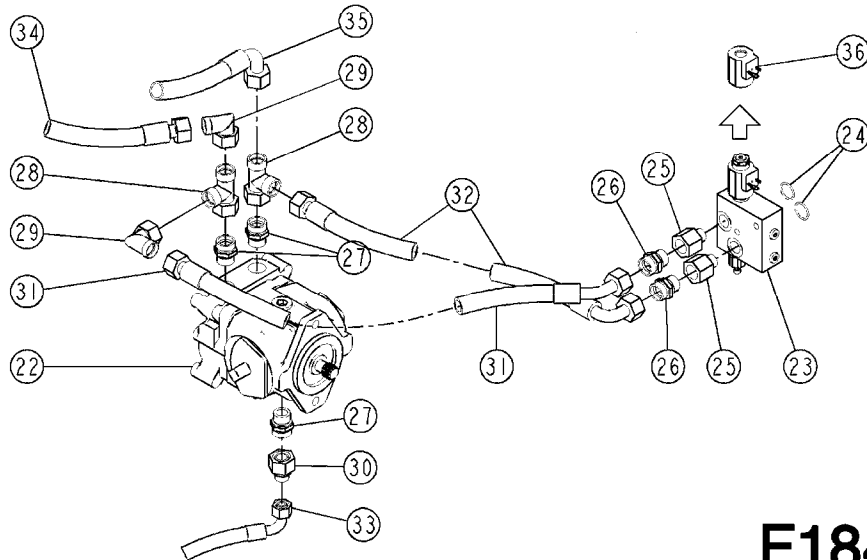
40 km/h ecodrive

pompe 464 et P380 /
pump 464 and P380



40 km/h ecodrive

pompe EC500/
pump EC500



F184A



Pos.	parts-n°	order qty	description
1	783862	1	HYDR. MOTOR OMS125
2	786793	1	HY CONNECTION 1/2" / 3/4"
3	78607201	1	HEX NIPPLE X22L (DIN24)
4	786770	1	FITTING EL22LA3C
5	786773	1	HYD. ELBOW EW22L OMDA3C
6	218031	1	O-RING ED R1/2 NBR
7	148150	1	HY CON. PIPE G1/2-D22 L90
8	786836	1	HY. CONNECTION GMA 3/22 PLA3C
9	78605001	1	FITTING RED.2218LA3C
10	78204701	1	FLOW REGULATOR+FILTER+BYPASS 2381
11	78607201	1	HEX NIPPLE X22L (DIN24)
12	78608601	1	FITTING GE12LR1/4A3CX
13	78602301	1	HYD.FIT. PLUG 3/4"
14	78612501	1	FITTING GE18LR 3/4BA3C
15	78602701	1	PRESSURE PLUG J1844424
16	78533801	1	HY.HO.2TA20+E24F90 140° L575
17	248122	1	SEAL KIT OMS MOTOR
18	78533701	1	HY.HO.1TT19+E24FD+E24F45 L2180 Vers nourrice réservoir/to tank collector
19	78533001	1	HY.HO.2TA20+E24FD+B90 L2850 Vers pompe/to pump
20	78533901	1	HY.HO.2TA16+E24F90 90°L510
21	78531901	1	HY.HO.1TA10+E24FD+E24F90 L945 Vers bloc arrière/to rear block
22	783896	1	HYD.MOTOR MMV035DAADRRCNN 4354025
23	78631101	1	HYD. BLOCK EC500 120L/MIN
24	248228	1	O-RING, R2.62X25.0, 70NBR872
25	786793	1	HY CONNECTION 1/2" / 3/4" Jusqu'au/until n°56131
26	78607201	1	HEX NIPPLE X22L (DIN24)
27	78608801	1	ADAPTER GE22L1-1/16" UNA3C
28	786770	1	FITTING EL22LA3C
29	786773	1	HYD. ELBOW EW22L OMDA3C
30	78607601	1	FITTING RED2215LA3C
31	78470701	1	HY.HO.2TA20+E24F45+E24FD L340 Jusqu'au/until n°56131
31	78591201	1	HY.HO. 2TA20+E24F45+E24FD L310 A partir du/from n°56132
32	78473201	1	HY.HO.1TT19+E24FD+E24F90 L295 Jusqu'au/until n°56131
32	78591301	1	HY.HO. 1TT19+E24FD+E24F90 L275 A partir du/from n°56132
33	78475201	1	HY.HO.1TA12+E24F90 190° L1630 Vers réservoir/to tank
34	78495701	1	HY.HO.2TA20+E24FD+B90 L4000 Vers pompe/to pump-25-29kmh-rampe ALU et HPZ/ALU a
34	78533001	1	HY.HO.2TA20+E24FD+B90 L2850 Vers pompe/to pump-40km/h-rampe ALU et HPZ/ALU and
35	78533701	1	HY.HO.1TT19+E24FD+E24F45 L2180 Vers nourrice réservoir/to tank collector
36	782081	1	SOLENOID F. CARTRIDGE VALVE Ø16/39
36	26093901	1	SOLENOID COIL 12DG-40-1836 Ø18/36
37	24018401	1	SEAL - FILTER REGULATOR
38	782856	1	FILTER CARTRIDGE HP 050-2A10N
39	27038601	1	PROPORT.VALV. F.FLOW REG.BLOC, FLUID PUMP
40	458083	1	SCREW CHC M 4-10 8.8 INOX DIN912
41	27038701	1	REGULAT.VALVE 7BAR 2191-ENS-A
42	24017301	1	VALVE SEAL KIT 1656-KIT-01-A
43	27038501	1	PRESSURE LIMITER 0-320 BAR

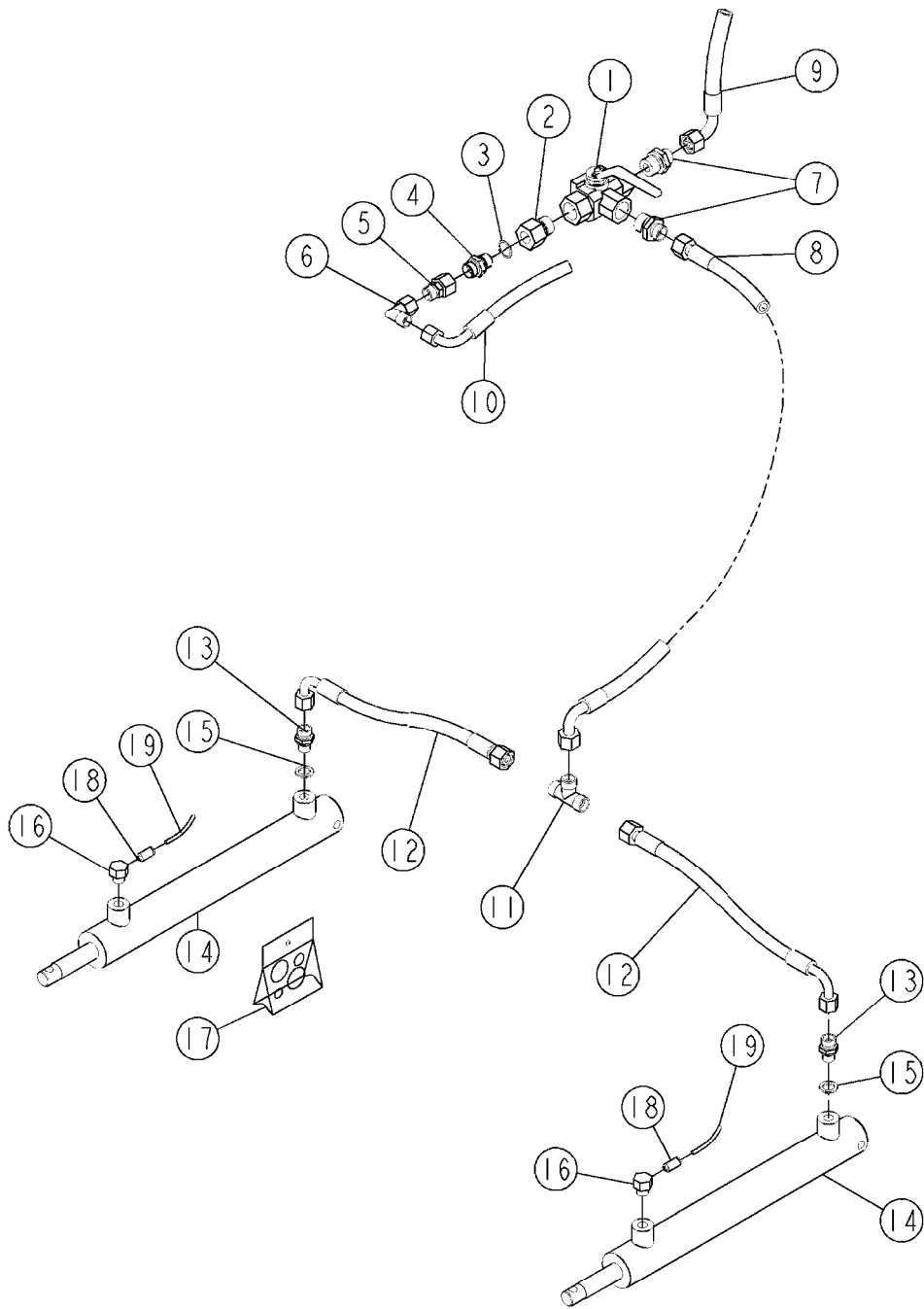


HYD.SPRAYING ECODRIVE
F184A, 16:02:17

Page 2

Date 07.02.2020 7:59

Pos.	parts-n°	order qty	description
44	24017201	1	LIMIT SEAL KIT 1663-KIT-01-A



F185A

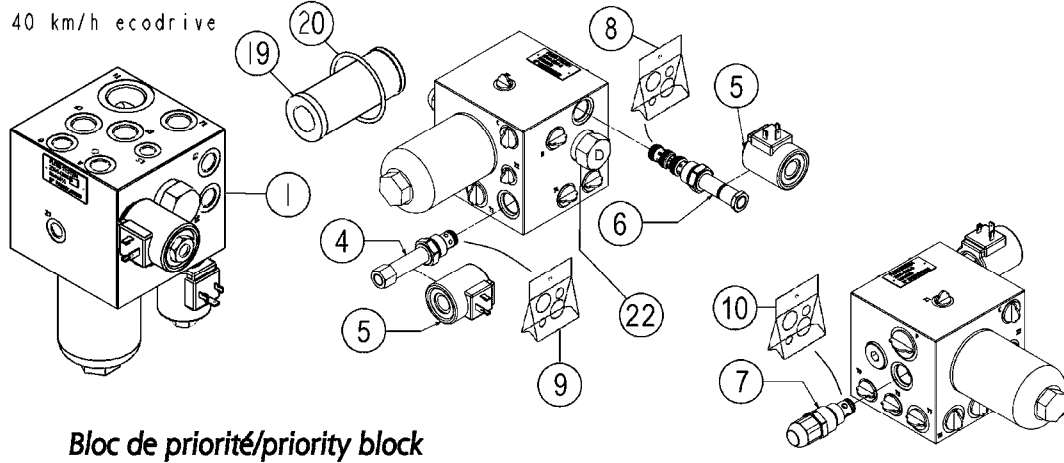


HYD.ENGINE HOOD ECODRIVE
F185A, 17:02:15

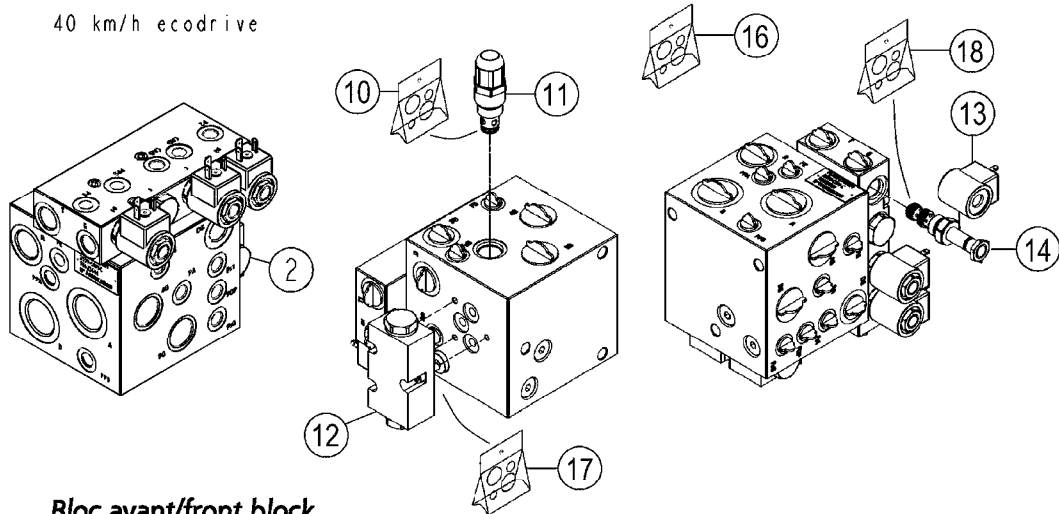
Page 1

Date 07.02.2020 7:59

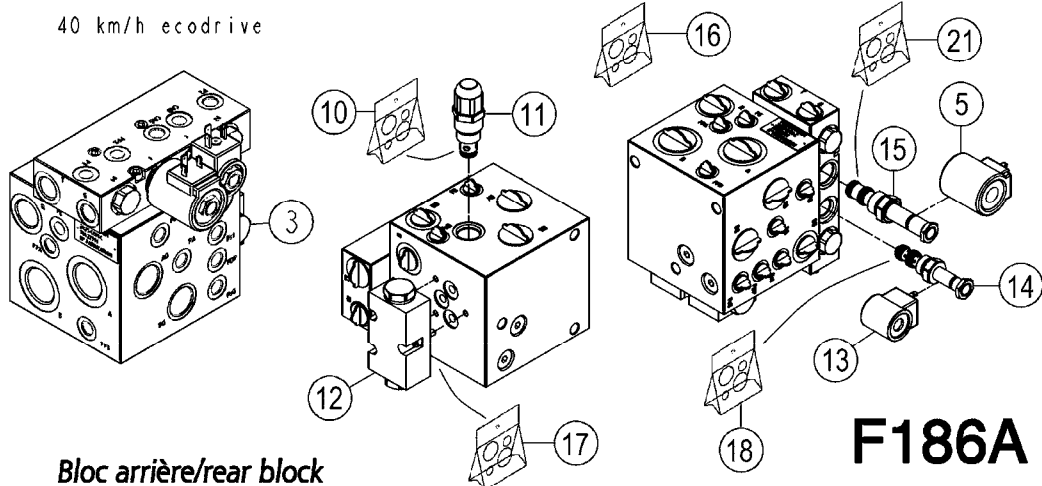
Pos.	parts-n°	order qty	description
1	78204101	1	3 WAY BALL VALVE L 1/2BSPP W/2XM6 HOLES
2	78612301	1	ADAPTOR RI1/2-3/8 A3C
3	218044	1	DOWTY SEAL BS BSP RB00-06 3/8
4	148445	1	FITTING 12L-BSP3/8" HOLE Ø1
5	78605501	1	FITTING RED.12/10LA3C COMP
6	78605601	1	HYD. ELBOW EW10LA3C
7	786892	1	FITTING GE12LR1/2A3C
8	78508001	1	HY.HO.1TA10+E24FD+E24F90 L2220
9	78507901	1	HY.HO.1TA10+E24FD+E24F90 L370
10	78512701	1	Vers vanne freinage/to brake valve HY.HO.1TA8+E24FD+E24F90 L1030 Vers réservoir/to tank
11	78606201	1	FITTING T12LA3C
12	78529101	1	HY.HO.1TA8 E24FD+E24FD L1140
13	148302	1	ADAP G1/4-M16X1.5-D1 FOSCOAT
14	781832	1	CYLINDER 40/20 C250 FP/TP
15	218043	1	DOWTY SEAL BS BSP RB00-04 1/4
16	148101	1	ADAPTOR G1/4 CYL-M5 FEMALE
17	248243	1	SEAL KIT
18	288232	1	UINION SIMPLE MALE RM4M5N
19	981722	1	AIR HOSE, BLACK, D4X2.7



Bloc de priorité/priority block



Bloc avant/front block



Bloc arrière/rear block

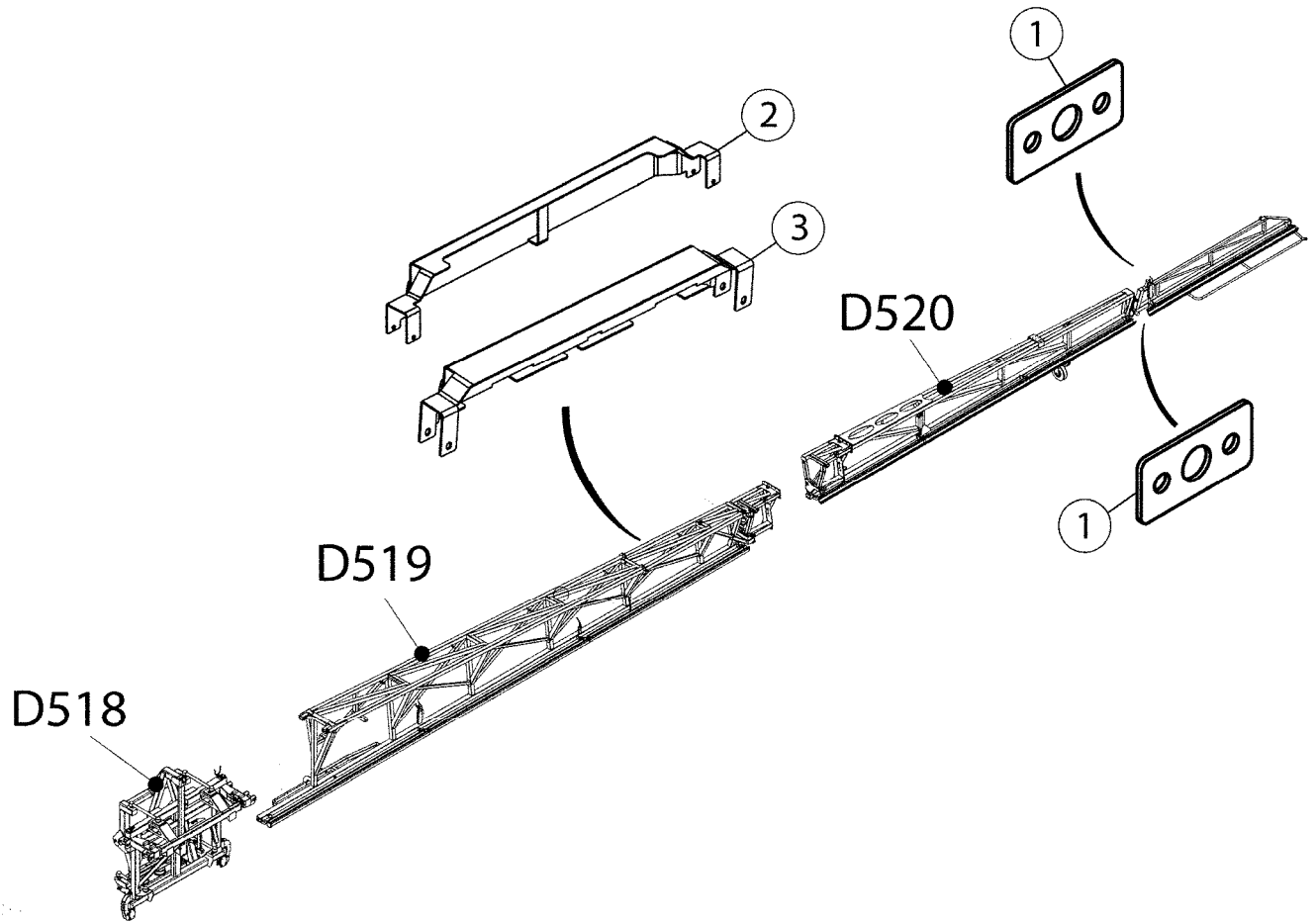
F186A



HYD.BLOCKS ALPHA ECODRIVE 25
MPH
F186A, 31:08:15

Page 1
Date 07.02.2020 7:59

Pos.	parts-n°	order qty	description
1	78204801	1	PRIORITY VALVE + FILTER
2	78623601	1	HYDR. BLOCK FS2539-COM-C
2	78623901	1	FRONT HYD BLOCK SAPE 2626-COM-A
3	78623701	1	REAR HYD BLOCK FS2625-COM-C
3	78624001	1	REAR HYD BLOCK SAPE 2627-COM-A
4	78208301	1	CARTRIDGE 2/2 SV1023 1560-99-A
5	26020601	1	ELECTRIC COIL T10 12V 1340-97-A
6	78204601	1	CARTRIDGE 12V DC TYPE SV10-40
7	78208501	1	PRESSURE LIMITER 160-220 BAR
8	24005801	1	ELECT SEAL KIT 1650-KIT-03-A
9	24016901	1	CARTRIDGE SEAL KIT 2/2
10	24016301	1	LIMITER SEAL KIT 1102-KIT-02-A
11	78206501	1	PRESSURE LIMITER 1131-COM-C
12	78206401	1	FLUSHING VALVE 1682-COM-C
13	26006501	1	COIL 12V 1059-1095-B
14	78200801	1	ELECT CARTRIDGE 3/2-3/4"16UNF
15	78206301	1	CARTRIDGE T10 3/2 2625-90-A
16	24016501	1	SEAL KIT 2539-KIT-01-A
17	24016401	1	SEAL KIT 1682-KIT-01-A
18	24004601	1	ELECT SEAL KIT 1699-KIT-01-A
19	782856	1	FILTER CARTRIDGE HP 050-2A10N
20	24018401	1	SEAL - FILTER REGULATOR
21	24016601	1	ELECT SEAL KIT 2526-KIT-01-A
22	28058501	1	COMPLETE KIT, PRIORITY VALVE DRAWER, 2348-D



B096A



ACCESSORIES 32-36 HAZ
B096A, 25:01:16

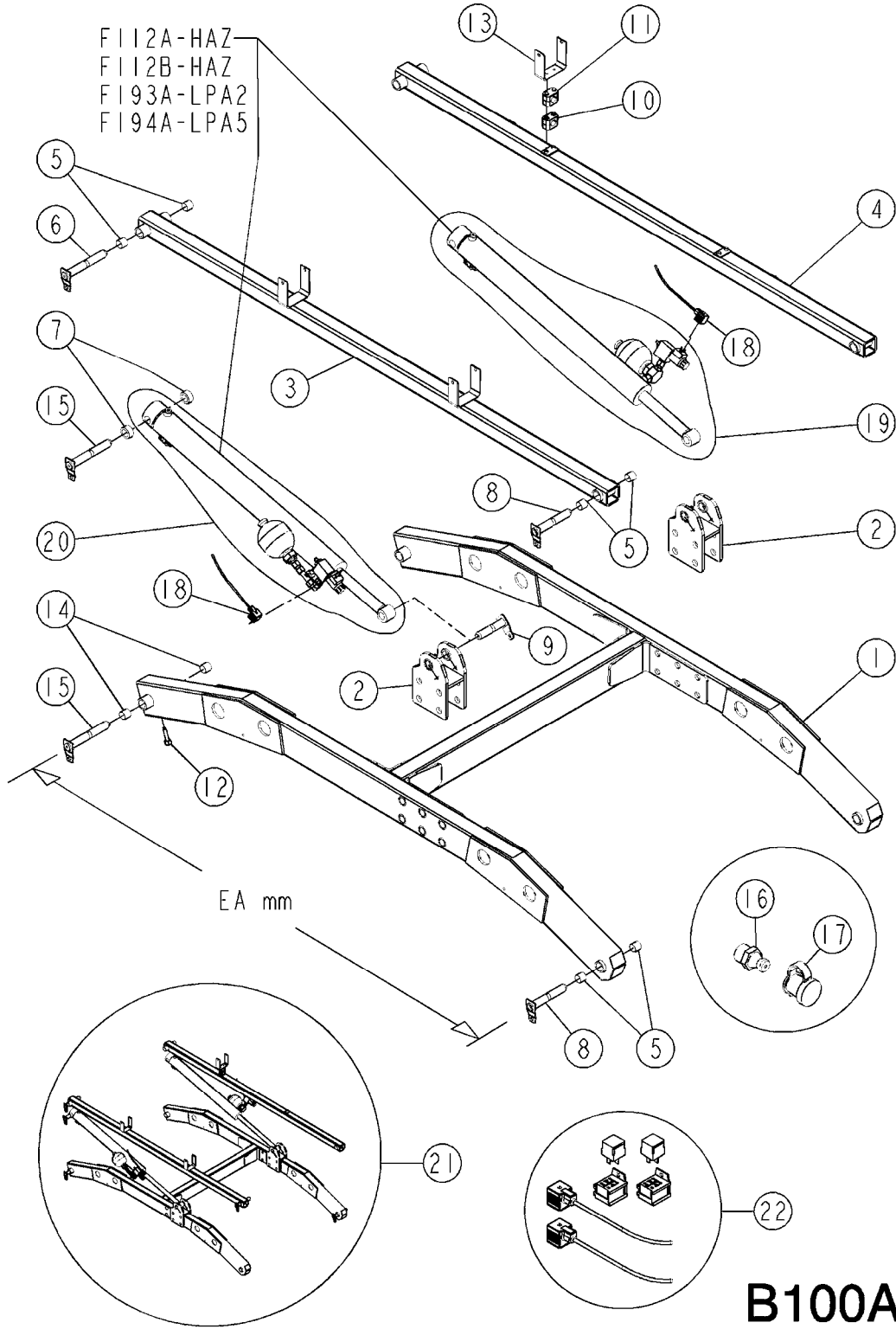
Page 1

Date 07.02.2020 7:59

Pos.	parts-n°	order qty	description
1	16531701	1	PLATE FOR ALU/DEL HAY/HAZ
2	61052301	1	HIGH CASE HAZ 36M BOOM Supérieur/upper
3	63017801	1	LOWER BRACKET TWIN 36M BOOM Inférieur/lower



PARALIFT W/O MECH.LOCK
B100A, 06:01:16





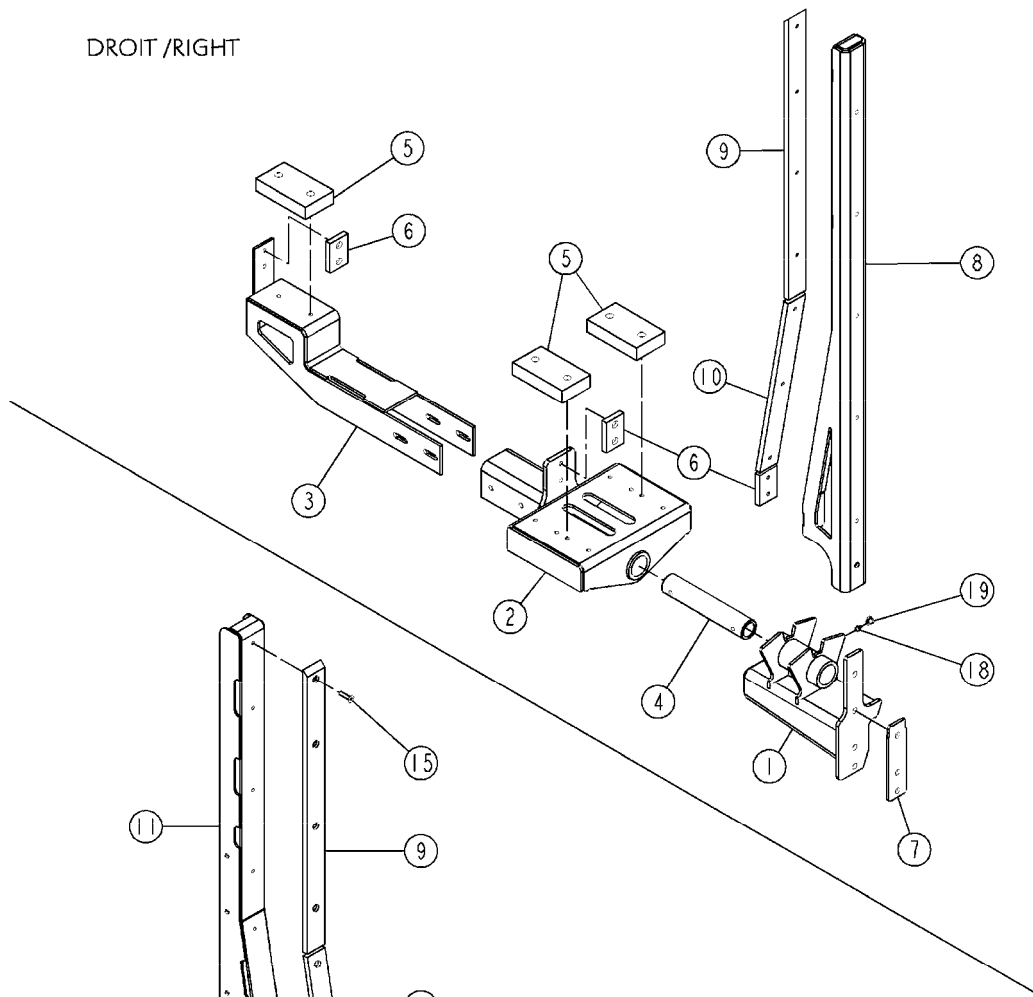
PARALIFT W/O MECH.LOCK
B100A, 06:01:16

Page 1
Date 07.02.2020 7:59

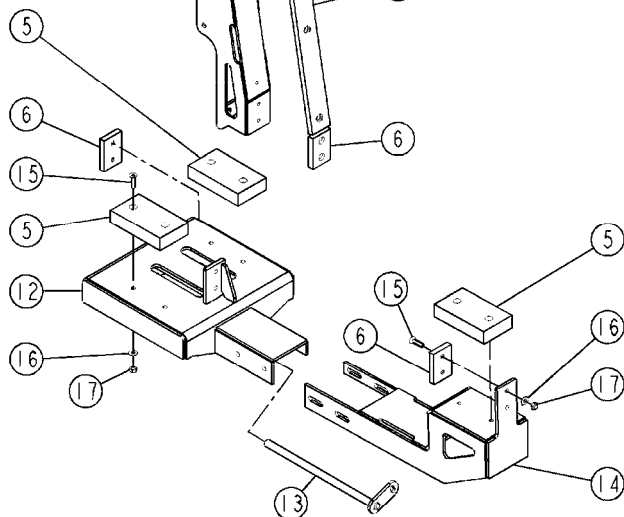
Pos.	parts-n°	order qty	description
1	638486	1	\$\$LOWER PARALIFT, Ø25, SP1370, ALPHA Jusqu'au/until n°56616
1	63009601	1	\$\$LOWER PARALIFT, Ø25, SP1870, ALPHA Jusqu'au/until n°56616
1	63113701	1	LOWER PARALIFT, Ø25, SP2040, ALPHA V2 -> n°56899, commander aussi/order also 16806801(x2)
1	63104301	1	LOWER PARALIFT, Ø35, SPACING 1870, ALPHA A partir du/from n°56617
1	63113801	1	LOWER PARALIFT, Ø35, SPACING 2040, ALPHA A partir du/from n°56900
2	63064501	1	PARALIFT CLEVIS, Ø25,5 L96, ALPEVO -> n°56899, se monte avec/mounts with 63113701
2	63106801	1	PARALIFT CLEVIS Ø25,5 L100 ALPEVO V2
2	63110501	1	PARALIFT CLEVIS, Ø35 L100, ALPEVO A partir du/from n°56900
3	638505	1	\$\$LEFT UPPER PARALIFT ARM, Ø25, SP1370, ALPHA
3	63009701	1	LEFT UPPER PARALIFT ARM, Ø25, SP1870, ALPHA
3	63064301	1	UPPER ARM, LEFT, Ø25, L2040, ALPHA
4	638526	1	\$\$RIGHT UPPER PARALIFT ARM, Ø25, SP1370, ALPHA
4	63009801	1	RIGHT UPPER PARALIFT ARM, Ø25, SP1870, ALPHA
4	63064201	1	UPPER ARM, RIGHT, Ø25, L2040, ALPHA
5	288158	1	BUSHING Ø25X28 L25 EGB 2525 E40
6	618010	1	PIN Ø25 L170
7	148073	1	BUSHING Ø25.5X40 L20
8	61010601	1	PIN Ø25 L145
8	618832	1	PIN Ø25 L130 HAZ
9	618831	1	PIN Ø25 L110
9	61069901	1	PIN Ø35 L155
10	78629401	1	COLLAR 322 PP BLACK Ø22mm
11	78629601	1	COLLAR 322 PP NOIR DP AS W5 Ø25mm
12	14036601	1	GREASER EXTENSION
13	16811401	1	HYD. HOSE BRACKET FOR PARALIFT
14	288158	1	BUSHING Ø25X28 L25 EGB 2525 E40
14	28036801	1	BUSHING Ø35X39 L30 EGB3530-E40
15	618010	1	PIN Ø25 L170
15	61035901	1	PIN Ø35 L161
16	288538	1	GREASE NIPPLE M8X1.25
17	288549	1	GREASE NIPPLE CAP GPN 985/0201
18	268442	1	CABLE 2X0.75² 10M 247556
19	76006401	1	LIFT CYLINDER RIGHT XXL ALPHA PARALIFT WITH LOCK
20	76006501	1	LIFT CYLINDER LEFT XXL ALPHA PARALIFT WITH LOCK
21	76006601	1	XXL PARALIFT KIT, L2040
22	76006301	1	CABLE KIT, PARALIFT



DROIT /RIGHT



GAUCHE /LEFT



B105A

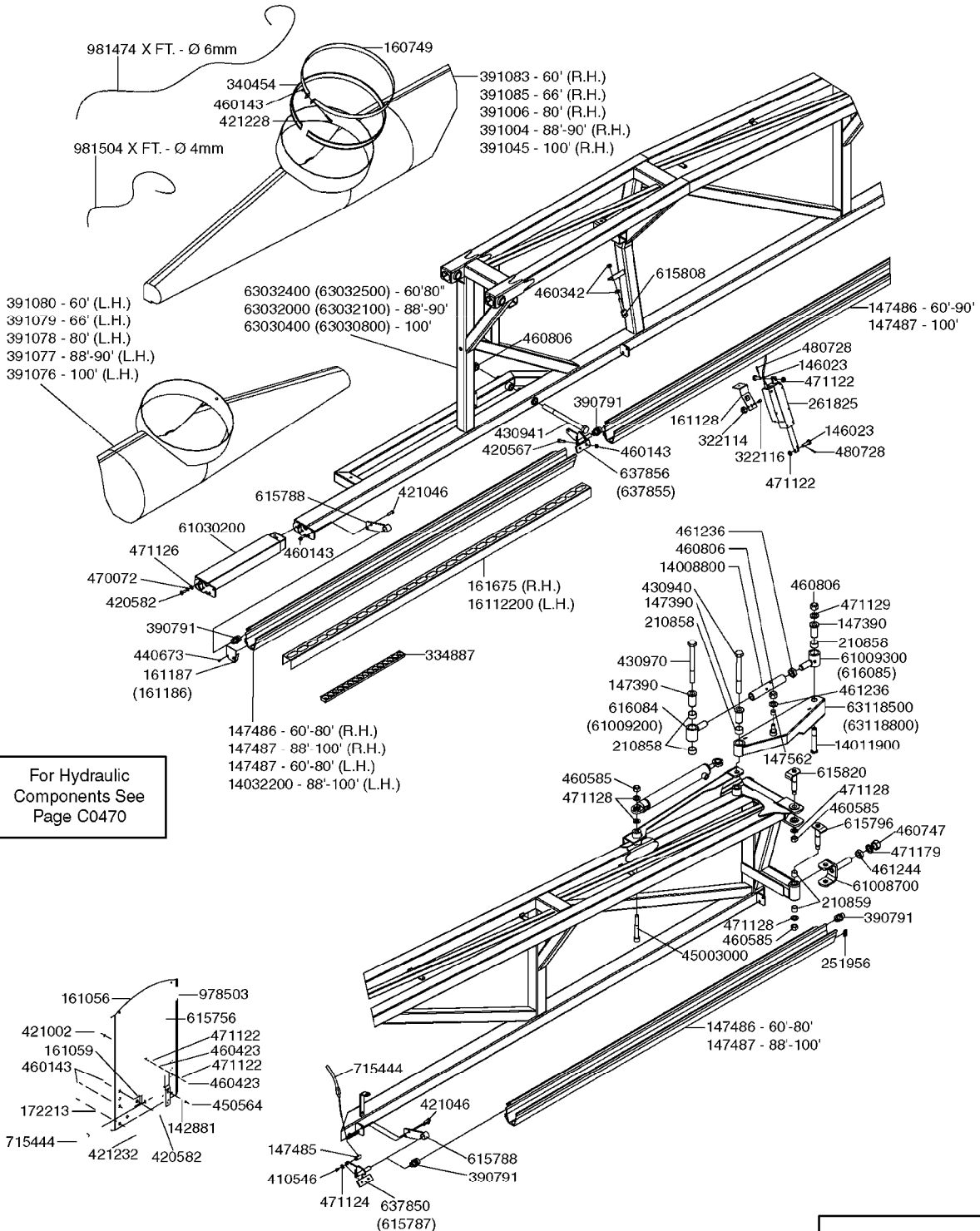


TRANSPORT HAZ ALPHA
B105A, 21:01:16

Page 1

Date 07.02.2020 7:59

Pos.	parts-n°	order qty	description
1	63012601	1	BRACKET CRADLE RIGHT 32-36 HAZ
2	63083401	1	REST CRADLE FIX 36HAZ R. ALP
3	63083601	1	REST CRADLE AMOV 36HAZ R. ALP
4	14036701	1	PIN Ø44 L226
5	398049	1	SLIDE 80X30 L140 2 HOLES
6	398181	1	SLIDE 50X12 L74 2 HOLES
7	16328001	1	REST SHIM CRADLE 32-36HAZ
8	618882	1	RIGHT LATERAL STOP 32-36 HAZ ALPHA+
9	398179	1	SLIDE 50X12 L530 3 HOLES
9	39013801	1	SLIDE 50X12 L690 4 HOLES Jusqu'au/until n°55934 A partir du/from n°55935
10	398180	1	SLIDE 50X12 L460 3 HOLES
11	63049801	1	LEFT LATERAL STOP 36HAZ ALPEVO
12	63083301	1	REST CRADLE FIX 36HAZ L. ALP
13	61021301	1	PIN Ø15 L304, FOOTBRIDGE REST CRADLE, ALPEVO
14	63083501	1	REST CRADLE AMOV 36HAZ L. ALP
15	458032	1	BOLT M8X30 8.8 DIN7991D SS
16	478040	1	WASHER M8U 8.25X18X1.5 SS A2
17	460143	1	SELF LOCK NUT M8 SST A2 DIN985
18	288538	1	GREASE NIPPLE M8X1.25
19	288549	1	GREASE NIPPLE CAP GPN 985/0201



For Hydraulic Components See Page C0470

Right Side Shown
(Left Side Similar)

D0660



BOOM-TF INNER HAZ-WC 60'-100'
D0660-HIN, 01:01:16

Page 1
Date 07.02.2020 7:59

parts-n°	order qty	description
142881	1	WIRE HOLDER FOR REMOTE CONTROL
146023	1	PIN FOR COGWHEEL
147390	1	BUSHING
147485	1	BUSHING Ø13.0/M6 L=31/Ø4.2/Ø10
147486	1	AIR SLOT RAIL L=1995/D25
147487	1	AIR SLOT RAIL L=2495/D25
147562	1	BUSHING D19.8/17.0 L=15
160749	1	BAND METAL F.AIR BAG
161056	1	PLATE F. TILT INDICATOR
161059	1	BRACKET F.TILT INDICATOR CABLE
161128	1	NOZZLE HOLDER TF
161186	1	AIR SLOT END LH
161187	1	AIR SLOT END RH
161675	1	AIR DIFFUSER L=1870 R.H.
172213	1	FLAT BAR F.BOOM STRAP
210858	1	BUSHING 034/30 L=20
210859	1	BUSH Ø23X20 L20
251956	1	RUBBER SEAL 60MM
261825	1	ACTUATOR HAZ 2 WIRE
322114	1	NUT PLASTIC F.NOZZ.H
322116	1	BOLT PLASTIC F.NOZZ.H.
334887	1	AIRGUIDE TWIN FORCE L=494
340454	1	TANK STRAP PACKING 40X2140
390791	1	BUSHING F. AIR SLOT
391004	1	AIR BAG F.88/90' HAZ PVC RIGHT
391006	1	AIR BAG F.80' HAZ PVC RIGHT
391045	1	AIR BAG F.100' HAZ PVC RIGHT
391076	1	AIR BAG F.100' HAZ PVC LEFT
391077	1	AIR BAG F.88/90' HAZ PVC LEFT
391078	1	AIR BAG F.80' HAZ PVC LEFT
391079	1	AIR BAG F.66' HAZ PVC LEFT
391080	1	AIR BAG F.60' HAZ PVC LEFT
391083	1	AIR BAG F.60' HAZ PVC RIGHT
391085	1	AIR BAG F.66' HAZ PVC RIGHT
410546	1	BOLT HEX M6X12 A2 SS DIN933
420567	1	BOLT HEX 8.8 DEL M8X30 FT
420582	1	BOLT HEX 8.8 DEL M8X20 FT A2
421002	1	BOLT HEX 8.8 DEL M10X30 FT DIN933
421046	1	BOLT HEX M8X25/25 A2 SS DIN933
421228	1	BOLT HEX 8.8 DEL M8X55
421232	1	BOLT HEX 8.8 DEL M8X110
430940	1	BOLT M20X210 8.8 DEL.
430941	1	BOLT M20X260 8.8 DEL.
430970	1	BOLT HEX M20X120 DIN931- DEL
440673	1	SCREW F.PLASTIC 5X12 SS
450564	1	SCREW M6X12 ALLEN
460143	1	SELF LOCK NUT M8 SST A2 DIN985
460342	1	NUT HEX M10 DEL DIN934
460423	1	NUT HEX M10X1.50 LOCK DIN985A2 SS
460585	1	LOCKING NUT M16 DIN985 A2 SS
460747	1	NUT HEX M24 LOCK
460806	1	NUT HEX M20X2.50 LOCK DIN985A2 SS
461236	1	NUT HEX M24X1.5
461244	1	NUT HEX M24X3 JAMB.
470072	1	WASHER D15/D8X.5 LOCK
471122	1	WASHER, M10, Ø20/10.5X 2.0, SS
471124	1	WASHER, M6, Ø18/ 6.4X 1.6, SS
471126	1	WASHER, M8, Ø16/ 8.4X 1.6, SS
471128	1	WASHER, M16, Ø30/17.0X 3.0, SS
471129	1	WASHER, M20, Ø37/21.0X 3.0, SS
471179	1	LOCK WASHER NORDLOCK M24 ELZ

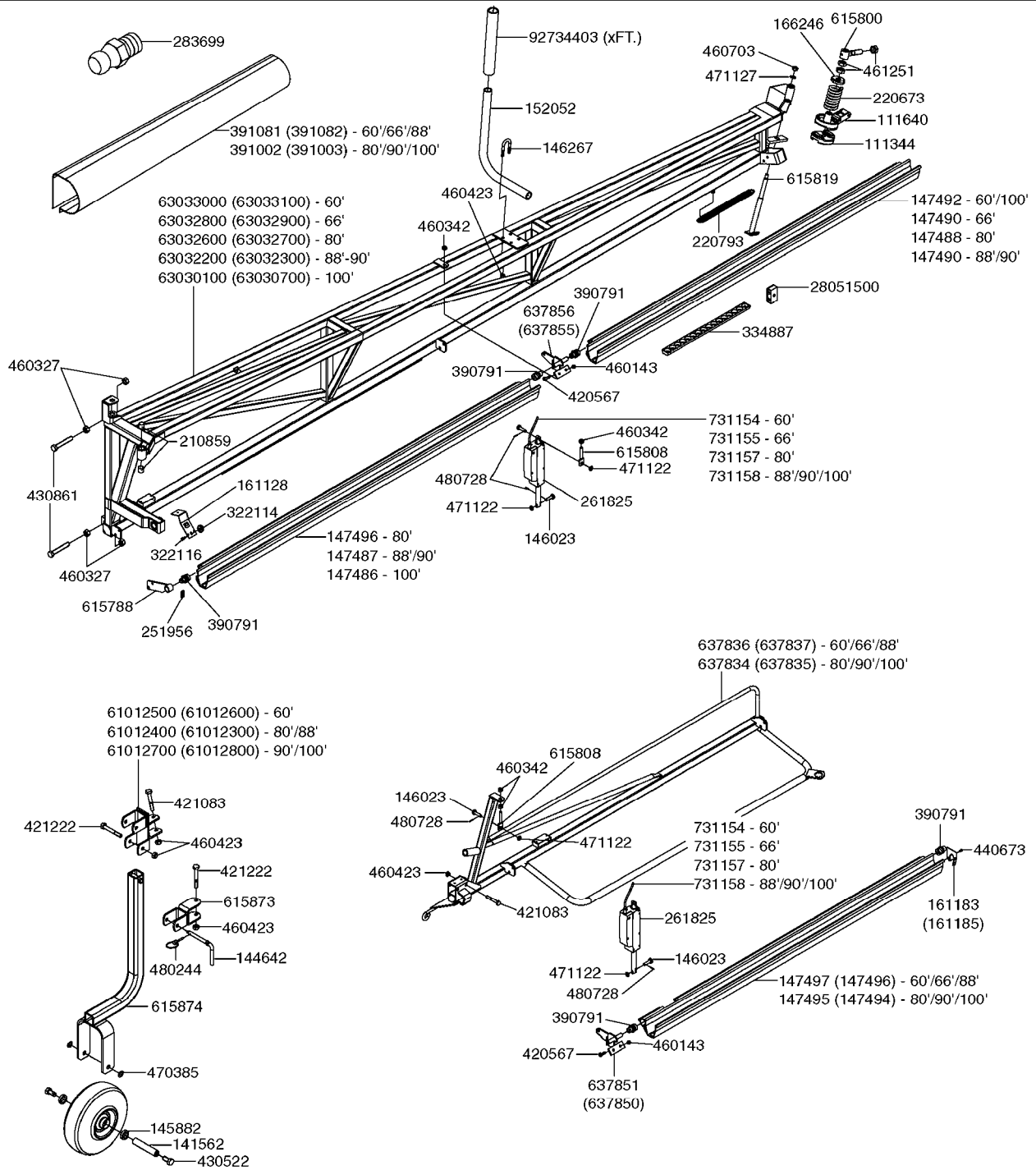


BOOM-TF INNER HAZ-WC 60'-100'
D0660-HIN, 01:01:16

Page 2

Date 07.02.2020 7:59

parts-n°	order qty	description
480728	1	PIN D3.2X20 SPLIT
615756	1	INDICATOR ARROW
615787	1	COUPLING F.AIRSLOT TWINF. LH
615788	1	BRACKET
615796	1	PIN D20 X M16 L=119MM
615808	1	ANCHOR ADJ.F.ACTUATOR
615820	1	PIN D20 X M16 L=127MM
616084	1	EYEBOLT LH TRD./ RH WING M24
		EYEBOLT WITH L.H. THREADS FOR RIGHT WING
616085	1	EYEBOLT STD. TRD./ LH WING M24
		EYEBOLT WITH STD. THREADS FOR LEFT WING
637850	1	BKT AIR SLOT RH
637855	1	BKT AIR SLOT LH
637856	1	BKT AIR SLOT RH
715444	1	REMOTE CONTROL CABLE L=2000
978503	1	DECAL TILT SCALE TWIN FORCE
981474	1	6MM ELASTIC CORD X M
981504	1	ELASTIC CORD 4MM
14008800	1	TURNBUCKLE L=200/M24X1.5
14011900	1	PIN M20 L=125/D30
14032200	1	AIR SLOT RAIL L=2995/D25
16112200	1	AIR DIFFUSER L=2365 L.H.
45003000	1	BOLT HEX M16X120 DIN912/DELTA
61008700	1	LINK EYE FORCE
61009200	1	EYEBOLT LH TRD./ LH WING M24
		EYEBOLT WITH L.H. THREADS FOR LEFT WING
61009300	1	EYEBOLT STD.TRD. / RH WING M24
		EYEBOLT WITH STD. THREADS FOR RIGHT WING
61030200	1	EXTENSION TWIN FORCE-ON CENTER
63030400	1	WING INNER HAZ 100' R.H.
63030800	1	WING INNER HAZ 100' L.H.
63032000	1	WING INNER HAZ 88'-90' R.H.
63032100	1	WING INNER HAZ 88'-90' L.H.
63032400	1	WING INNER HAZ 60'-80' R.H.
63032500	1	WING INNER HAZ 60'-80' L.H.
63118500	1	FOLDING ARM 1. FTZ / HAZ. R. RED
		FOLD ARM FOR RIGHT WING
63118800	1	FOLDING ARM 1. FTZ / HAZ. L RED
		FOLD ARM FOR LEFT WING



Right Side Shown
(Left Side Similar)

D0680



BOOM-TF OUTER HAZ-WC 60'-100'
D0680-HIN, 01:01:16

Page 1
Date 07.02.2020 7:59

parts-n°	order qty	description
111344	1	CLAW CLUTCH Ø100/Ø20,5 UNDER PART RED
111640	1	CLAW CLUTCH Ø100 TOP PART RED
141562	1	FRONTWHEEL AXLE 3 WHEEL
144642	1	LOCKING PAWL D10X65MM
145882	1	BUSHING D30/D21X7
146023	1	PIN FOR COGWHEEL
146267	1	BOLT U F.500 EAG BRACE
147486	1	AIR SLOT RAIL L=1995/D25
147487	1	AIR SLOT RAIL L=2495/D25
147488	1	AIR SLOT RAIL L=1935/D25
147490	1	AIR SLOT RAIL L=2435/D25
147492	1	AIR SLOT RAIL L=1435/D25
147494	1	AIR SLOT RAIL L=1730/D25 LEFT
147495	1	AIR SLOT RAIL L=1730/D25 RIGHT
147496	1	AIR SLOT RAIL L=1230/D25 LEFT
147497	1	AIR SLOT RAIL L=1230/D25 RIGHT
152052	1	BUMPER ARM 1" X 30"
161128	1	NOZZLE HOLDER TF
161183	1	AIR SLOT END RH
161185	1	AIR SLOT END LH
166246	1	WASHER CUP D53 F.SPRING
210859	1	BUSH Ø23X20 L20
220673	1	SPRING F.PIVOT 100 X 51
220793	1	SPRING D21/D4X250MM
251956	1	RUBBER SEAL 60MM
261825	1	ACTUATOR HAZ 2 WIRE
283699	1	GREASE NIPPLE M6X1
322114	1	NUT PLASTIC F.NOZZ.H
322116	1	BOLT PLASTIC F.NOZZ.H.
334887	1	AIRGUIDE TWIN FORCE L=494
390791	1	BUSHING F. AIR SLOT
391002	1	AIR BAG F.BKWY 2M HAZ PVC RH
391003	1	AIR BAG F.BKWY 2M HAZ PVC LH
391081	1	AIR BAG F.BKWY 1.5M HAZ PVC RH
391082	1	AIR BAG F.BKWY 1.5M HAZ PVC LH
420567	1	BOLT HEX 8.8 DEL M8X30 FT
421083	1	BOLT HEX 8.8 DEL M10X65
421222	1	BOLT HEX 8.8 DEL M10X75 FT
430522	1	BOLT HEX 8.8 DEL M12X25 FT
430861	1	BOLT HEX 8.8 DEL M16X100 FT
440673	1	SCREW F.PLASTIC 5X12 SS
460143	1	SELF LOCK NUT M8 SST A2 DIN985
460327	1	NUT HEX M16X2
460342	1	NUT HEX M10 DEL DIN934
460423	1	NUT HEX M10X1.50 LOCK DIN985A2 SS
460703	1	NUT HEX M12X1.75 LOCK DIN985A2 SS
461251	1	NUT HEX M20 X 2.5 JAMB
470385	1	WASHER D14.8D8.1X2 LOCK GALV.
471122	1	WASHER, M10, Ø20/10.5X 2.0, SS
471127	1	WASHER, M12, Ø24/13X24X2.5 SS
480244	1	PIN SNAP D4.5
480728	1	PIN D3.2X20 SPLIT
615788	1	BRACKET
615800	1	LINK EYE BR.WING
615808	1	ANCHOR ADJ.F.ACTUATOR
615819	1	PIN
615873	1	MOUNT BRKT -BOOM WHEEL HAZ
615874	1	ARM F.BOOM WHEEL HAZ
637834	1	WING BR.AWAY 80'-90' RH
637835	1	WING BR.AWAY 80'-90' LH
637836	1	WING BR.AWAY 60'-66'-88' RH

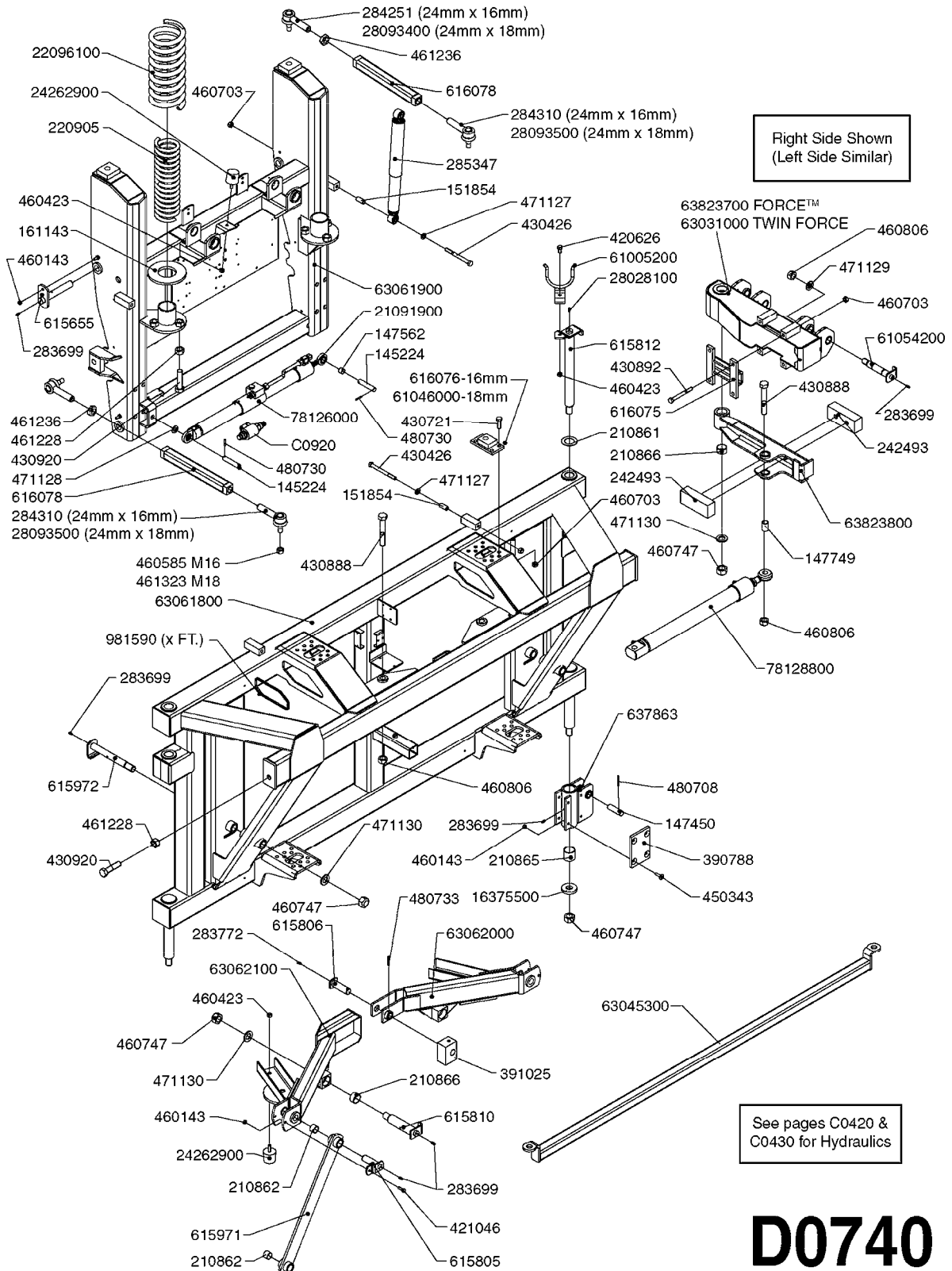


BOOM-TF OUTER HAZ-WC 60'-100'
D0680-HIN, 01:01:16

Page 2

Date 07.02.2020 7:59

parts-n°	order qty	description
637837	1	WING BR.AWAY 60'-66'-88' LH
637850	1	BKT AIR SLOT RH
637851	1	BKT AIR SLOT LH
637855	1	BKT AIR SLOT LH
637856	1	BKT AIR SLOT RH
731154	1	WIRE 2X1,5KV L=10900
731155	1	WIRE 2X1,5KV L=12400
731157	1	WIRE 2X1,5KV L=13900
731158	1	WIRE 2X1,5KV L=15900
28051500	1	PIPE HOLDER DOUBLE FOR D6
61012300	1	BRKT-BOOM WHEEL HAZ 66-80',6°R
61012400	1	BRKT-BOOM WHEEL HAZ 66-80',6°L
61012500	1	BRKT-BOOM WHEEL HAZ 60',14° R
61012600	1	BRKT-BOOM WHEEL HAZ 60',14° L
61012700	1	BRKT-BOOMWHL HAZ88-100,3°R
61012800	1	BRKT-BOOMWHL HAZ88-100,3°L
63030100	1	WING OUTER 100' HAZ R.H.
63030700	1	WING OUTER 100' HAZ L.H.
63032200	1	WING OUTER 88'-90' HAZ R.H.
63032300	1	WING OUTER 88'-90' HAZ L.H.
63032600	1	WING OUTER 80' HAZ R.H.
63032700	1	WING OUTER 80' HAZ L.H.
63032800	1	WING OUTER 66' HAZ R.H.
63032900	1	WING OUTER 66' HAZ L.H.
63033000	1	WING OUTER 60' HAZ R.H.
63033100	1	WING OUTER 60' HAZ L.H.
92734403	1	HOSE R X5/4" X200PSI WP X0012"



Right Side Shown
(Left Side Similar)

See pages C0420 & C0430 for Hydraulics

D0740



WIDE CENTER FRAME-FORCE/TF
D0740-HIN, 05:06:19

Page 1
Date 07.02.2020 7:59

parts-n°	order qty	description
145224	1	SHAFT FOR HY CYLINDER
147450	1	PIN D20 X 70
147562	1	BUSHING D19.8/17.0 L=15
147749	1	BUSHING D25.0/20.2 L=38
151854	1	BUSHING F.SHOCK
161143	1	PLATE F SPRING
210861	1	BUSHING
210862	1	BUSHING 28X25X20
210865	1	BUSHING 40mm40mm DU
210866	1	BUSHING D39/35 L=20
220905	1	SPRING D101/14 BLACK
242493	1	RUBBER BUMPER 60X40X150
283699	1	GREASE NIPPLE M6X1
283772	1	GREASE NIPPLE M6X1 90°
284251	1	ROD END 25Ø (24mm x 16mm) RH
284310	1	ROD END 25Ø (24mm x 16mm) LH
285347	1	SHOCK TF
390788	1	TEFLON WARE PAD
391025	1	JOINER BLOCK - FORCE
420626	1	BOLT HEX 8.8 DEL M10X20 FT
421046	1	BOLT HEX M8X25/25 A2 SS DIN933
430426	1	BOLT HEX 8.8 DEL M12X130
430721	1	BOLT HEX 8.8 DEL M12X40 FT
430888	1	BOLT HEX 8.8 DEL M20X130
430892	1	BOLT HEX 8.8 DEL M12X110
430920	1	BOLT HEX M20x80MM
450343	1	SCREW M8X30 ALLEN HEAD C/S SS
460143	1	SELF LOCK NUT M8 SST A2 DIN985
460423	1	NUT HEX M10X1.50 LOCK DIN985A2 SS
460585	1	LOCKING NUT M16 DIN985 A2 SS
460703	1	NUT HEX M12X1.75 LOCK DIN985A2 SS
460747	1	NUT HEX M24 LOCK
460806	1	NUT HEX M20X2.50 LOCK DIN985A2 SS
461228	1	NUT HEX M20
461236	1	NUT HEX M24X1.5
461323	1	NUT HEX M18X1.5 LOCK
471127	1	WASHER, M12, Ø24/13X24X2.5 SS
471128	1	WASHER, M16, Ø30/17.0X 3.0, SS
471129	1	WASHER, M20, Ø37/21.0X 3.0, SS
471130	1	WASHER, M24, Ø44/25.0X 4.0, SS
480708	1	PIN D4 X 45
480730	1	PIN ROLL 5X30 STAINLESS STEEL
480733	1	PIN D6 X 40
615655	1	PIN D25 X 156 F. PARALIFT
615805	1	PIN
615806	1	PIN
615810	1	PIN
615812	1	PIN
615971	1	TRAPEZE ARM FORCE 110'
615972	1	PIN D25X185 M24
616075	1	FLANGE F. FORCE HINGE
616076	1	LINK ARM MOUNT BRACKET
616078	1	LINK ARM
637863	1	HINGE F.TF LOWER
981590	1	EDGE GUARD 6-8MM X 12"
16375500	1	WASHER 10.0X60X25 RED
21091900	1	LINK HEAD M16 x D17 DELTA
22096100	1	SPRING D146/20 BLACK
24262900	1	RUBBER STOP D50X40 M10X33
28028100	1	GREASE NIPPLE 1/8'RG 90°
28093400	1	ROD END 35Ø (24mm x 18mm) RH

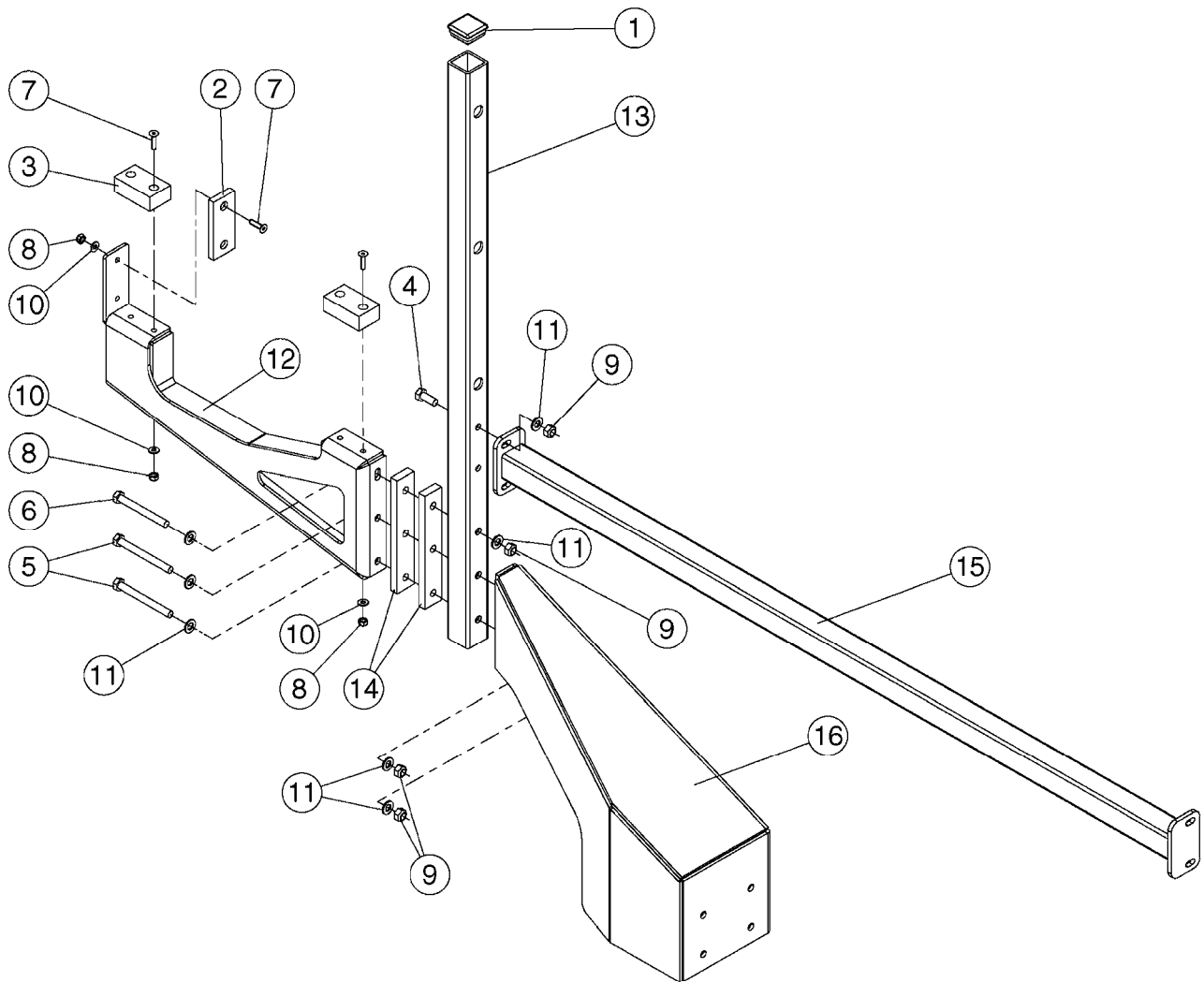


WIDE CENTER FRAME-FORCE/TF
D0740-HIN, 05:06:19

Page 2

Date 07.02.2020 7:59

parts-n°	order qty	description
28093500	1	ROD END 35Ø (24mm x 18mm) LH
61005200	1	HOSE HOLDER
61046000	1	LINK ARM MNT BKT. FTZ "06"
61054200	1	PIN D25X162 M20 W/LUBE HOLE 09
63031000	1	HINGE F.TWIN FORCE
63045300	1	PIVOT SUPRT BAR FORCE CEN.
63061800	1	CENTER SECTION FORCE
63061900	1	LIFT FRAME CM - FORCE
63062000	1	SUSPENSION ARM RH
63062100	1	SUSPENSION ARM LH
63823700	1	HINGE F.FORCE
63823800	1	INNER HINGE F.FORCE
78126000	1	CYLINDER, DAMPNER, LOCKING
78128800	1	CYLINDER, D50/30-500



D0880



TRANSPORT BKT HAZ ALPHA RH
D0880-HIN, 05:01:17

Page 1

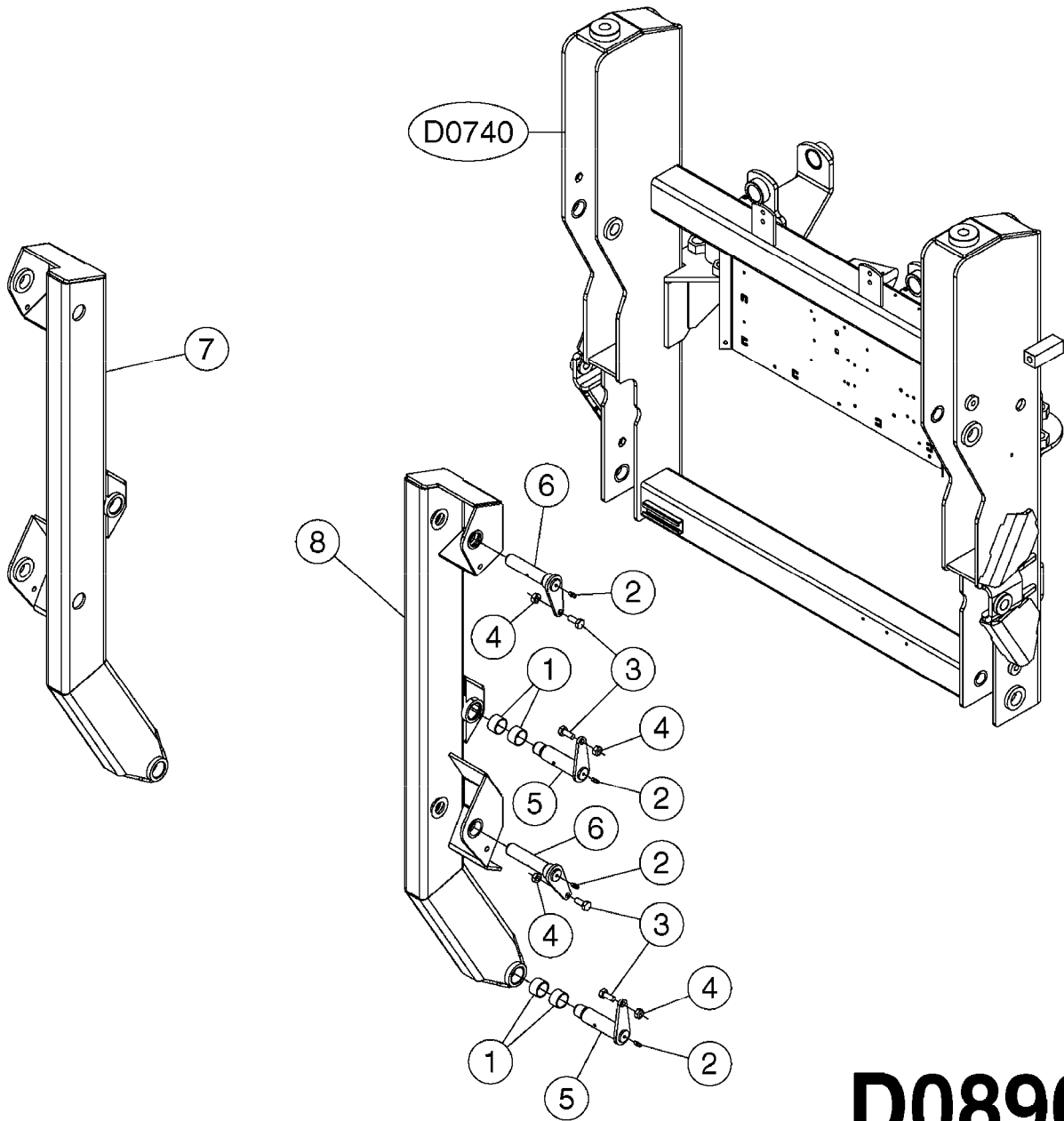
Date 07.02.2020 7:59

Pos.	parts-n°	order qty	description
1	334561	1	PLUG 50x50x2 F.SQ.TUBE
2	398074	1	SLIDE 80X30 L140 2 HOLES
3	398084	1	SLIDE 50X30 L85 2 HOLES
4	430286	1	BOLT HEX 8.8 DEL M12X30 FT
5	430824	1	BOLT HEX 8.8 DEL M12X120
6	430892	1	BOLT HEX 8.8 DEL M12X110
7	458032	1	BOLT M8X30 8.8 DIN7991D SS
8	460143	1	SELF LOCK NUT M8 SST A2 DIN985
9	460703	1	NUT HEX M12X1.75 LOCK DIN985A2 SS
10	471126	1	WASHER, M8, Ø16/ 8.4X 1.6, SS
11	471127	1	WASHER, M12, Ø24/13X24X2.5 SS
12	618438	1	RIGHT REST CRADLE, 24-30 HAZ, ALPHA
13	15057003	1	BRACKET, TRANS, RH, TUBE, AL
14	16314001	1	SHIM 233X40X15
15	61025803	1	BRACKET, TRANS, CENTER, TUBE, AL
16	63049803	1	BRACKET, TRANS, RH, AL



ALPHA EVO LIFT ADAPTER
80-100' HAZ
D0890-HIN, 07:02:17

Page 0
Date 07.02.2020 7:59



D0890



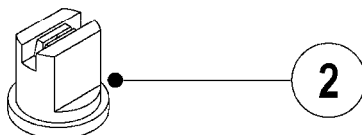
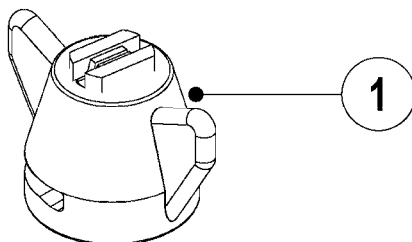
ALPHA EVO LIFT ADAPTER
80-100' HAZ
D0890-HIN, 07:02:17

Page 1
Date 07.02.2020 8:00

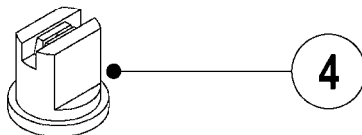
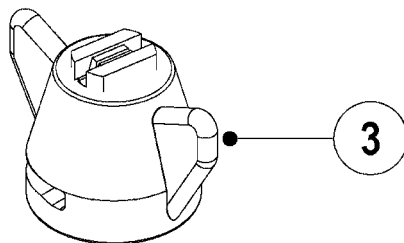
Pos.	parts-n°	order qty	description
1	210858	1	BUSHING 034/30 L=20
2	283699	1	GREASE NIPPLE M6X1
3	420604	1	BOLT HEX 8.8 DEL M10X25 FT DIN933
4	460423	1	NUT HEX M10X1.50 LOCK DIN985A2 SS
5	61056500	1	PIN Ø30/Ø25 L=122
6	61061500	1	PIN Ø30/25 L=122
7	63049503	1	ALPHA EVO LIFT ADAPTER RIGHT, RED
8	63049603	1	ALPHA EVO LIFT ADAPTER LEFT, RED



SYNTAL



CERAMIC



D1000



BOOM-NOZZLES 110° FLAT FAN ISO
D1000-HIN, 01:01:16

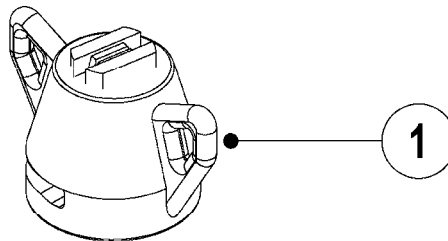
Page 1

Date 07.02.2020 8:00

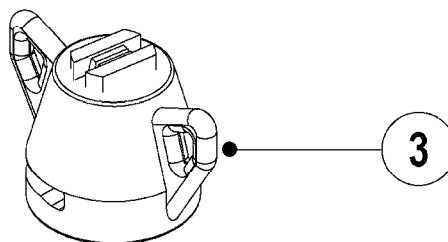
Pos.	parts-n°	order qty	description
1	371764	1	NOZZLE ISO CT F-01-110 ORANGE
1	371765	1	NOZZLE ISO CT F-015-110 GREEN
1	371766	1	NOZZLE ISO CT F-02-110 YELLOW
1	371767	1	NOZZLE ISO CT F-03-110 BLUE
1	371768	1	NOZZLE ISO CT F-04-110 RED
1	371769	1	NOZZLE ISO CT F-05-110 BROWN
1	371770	1	NOZZLE ISO CT F-06-110 GREY
1	371771	1	NOZZLE ISO CT F-08-110 WHITE
1	371950	1	NOZZLE ISO CT F-025-110 LILAC
1	371964	1	NOZZLE ISO CT F-075-110 PINK
1	371970	1	NOZZLE ISO CT F-10-110 LT BLUE
2	371706	1	NOZZLE ISO F-01-110 ORANGE
2	371707	1	NOZZLE ISO F-015-110 GREEN
2	371708	1	NOZZLE ISO F-02-110 YELLOW
2	371709	1	NOZZLE ISO F-03-110 BLUE
2	371710	1	NOZZLE ISO F-04-110 RED
2	371711	1	NOZZLE ISO F-05-110 BROWN
2	371712	1	NOZZLE ISO F-06-110 GREY
2	371713	1	NOZZLE ISO F-08-110 WHITE
2	371946	1	NOZZLE ISO F-025-110 LILAC
2	371963	1	NOZZLE ISO F-075-110 PINK
2	371966	1	NOZZLE ISO F-10-110 LT BLUE
3	371772	1	NOZZLE ISO CT F-015-110C GREEN
3	371773	1	NOZZLE ISO CT F-02-110C YELLOW
3	371774	1	NOZZLE ISO CT F-03-110C BLUE
3	371775	1	NOZZLE ISO CT F-04-110C RED
3	371776	1	NOZZLE ISO CT F-05-110C BROWN
3	371777	1	NOZZLE ISO CT F-06-110C GREY
4	371738	1	NOZZLE ISO F-015-110C GREEN
4	371739	1	NOZZLE ISO F-02-110C YELLOW
4	371740	1	NOZZLE ISO F-03-110C BLUE
4	371741	1	NOZZLE ISO F-04-110C RED
4	371742	1	NOZZLE ISO F-05-110C BROWN
4	371743	1	NOZZLE ISO F-06-110C GREY



SYNTAL



CERAMIC



D1010



BOOM-NOZZLES 110° LOWDRIFT ISO
D1010-HIN, 01:01:16

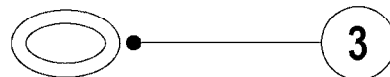
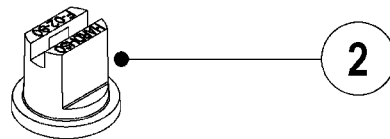
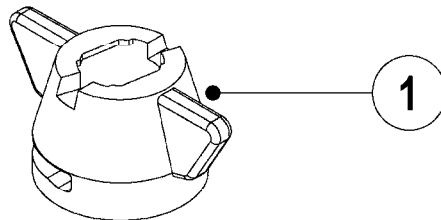
Page 1

Date 07.02.2020 8:00

Pos.	parts-n°	order qty	description
1	371837	1	NOZZLE ISO CT LD-01-110 ORANGE
1	371838	1	NOZZLE ISO CT LD-015-110 GREEN
1	371839	1	NOZZLE ISO CT LD-02-110 YELLOW
1	371840	1	NOZZLE ISO CT LD-03-110 BLUE
1	371841	1	NOZZLE ISO CT LD-04-110 RED
1	371894	1	NOZZLE ISO CT LD-05-110 BROWN
1	371958	1	NOZZLE ISO CT LD-025-110 LILAC
2	371817	1	NOZZLE ISO LD-01-110 ORANGE
2	371818	1	NOZZLE ISO LD-015-110 GREEN
2	371819	1	NOZZLE ISO LD-02-110 YELLOW
2	371820	1	NOZZLE ISO LD-03-110 BLUE
2	371821	1	NOZZLE ISO LD-04-110 RED
2	371893	1	NOZZLE ISO LD-05-110 BROWN
2	371957	1	NOZZLE ISO LD-025-110 LILAC
3	371842	1	NOZZLE ISO CT LD-01-110C ORANG
3	371843	1	NOZZLE ISO CT LD-015-110C GRN
3	371844	1	NOZZLE ISO CT LD-02-110C YELLO
3	371845	1	NOZZLE ISO CT LD-03-110C BLUE
3	371846	1	NOZZLE ISO CT LD-04-110C RED
3	371897	1	NOZZLE ISO CT LD-05-110C BROWN
4	371822	1	NOZZLE ISO LD-01-110C ORANGE
4	371823	1	NOZZLE ISO LD-015-110C GREEN
4	371824	1	NOZZLE ISO LD-02-110C YELLOW
4	371825	1	NOZZLE ISO LD-03-110C BLUE
4	371826	1	NOZZLE ISO LD-04-110C RED
4	371896	1	NOZZLE ISO LD-05-110C BROWN



SYNTAL



D1020

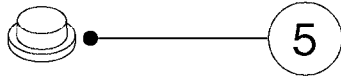


BOOM-NOZZLES 80° FLAT FAN ISO
D1020-HIN, 01:01:16

Page 1

Date 07.02.2020 8:00

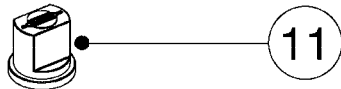
Pos.	parts-n°	order qty	description
1	334083	1	SNAP-FIT NOZZLE HOLDER SS BLCK
2	371931	1	SYNTAL ISO F-01-80 TIP ORNG
2	371932	1	SYNTAL ISO F-015-80 TIP GREEN
2	371933	1	SYNTAL ISO F-02-80 TIP YELLOW
2	371934	1	SYNTAL ISO F-03-80 TIP BLUE
3	10423503	1	O-RING 9.12x3.53 NITRIL



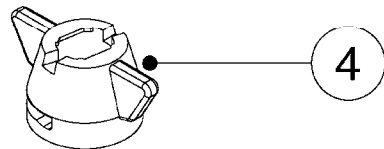
5



14



11



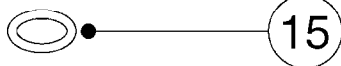
4



13



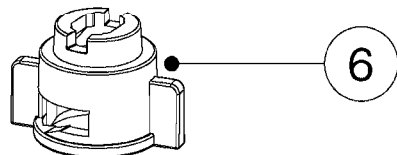
12



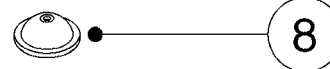
15



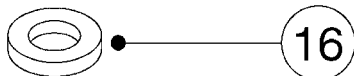
10



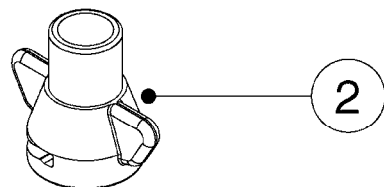
6



8



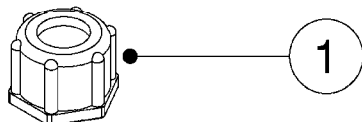
16



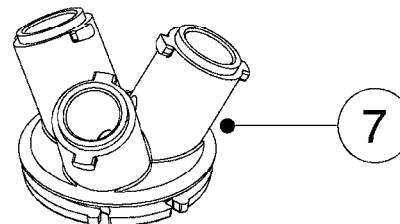
2



9



1



7



3

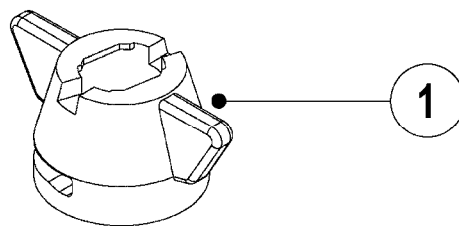
D1030



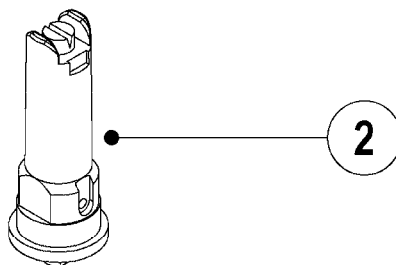
BOOM-NOZZLE CAPS AND FILTERS
D1030-HIN, 28:11:17

Page 1
Date 07.02.2020 8:00

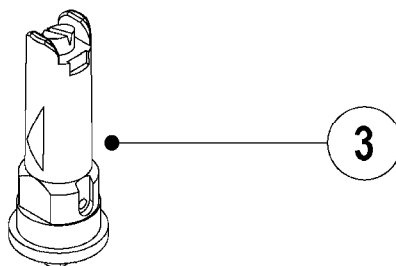
Pos.	parts-n°	order qty	description
1	320187	1	FITT.DK CAP 3/8" BSP BLACK
1	321517	1	FITT.DK CAP 3/8" BSP WHITE
			ALWAYS USE WITH ISO AND INJET NOZZLES
1	321797	1	FITT.DK CAP 3/8' BSP BLUE
1	321801	1	FITT.DK CAP 3/8' BSP GREEN
1	321812	1	FITT.DK CAP 3/8' BSP RED
1	321823	1	FITT.DK CAP 3/8' BSP ORANGE
1	321834	1	FITT.DK CAP 3/8' BSP YELLOW
2	322068	1	SNAP-FIT ADAPTER THREAD. HARDI
3	330013	1	O-RING 2.5 X 10 PUR
4	334083	1	SNAP-FIT NOZZLE HOLDER SS BLCK
5	334102	1	BLANK F.NOZZLE
6	334862	1	NOZZLE CAP TJBLACK F.ISO/INJET
7	334926	1	SNAP-FIT TURN PLATE F TRIPLET
8	370016	1	NOZZLE CONE JET 1553-08
8	370027	1	NOZZLE CONE JET 1553-10
8	370031	1	NOZZLE CONE JET 1553-12
8	370042	1	NOZZLE CONE JET 1553-14
8	370053	1	NOZZLE CONE JET 1553-16
8	370064	1	NOZZLE CONE JET 1553-18
8	370075	1	NOZZLE CONE JET 1553-20
8	370086	1	NOZZLE CONE JET 1553-22
8	370097	1	NOZZLE CONE JET 1553-24
8	370101	1	NOZZLE CONE JET 1553-30
8	370112	1	NOZZLE CONE JET 1553-35
8	370123	1	NOZZLE CONE JET 1553-40
9	370134	1	NOZZLE SWIRL 1554-GREY
9	370145	1	NOZZLE SWIRL 1554-BLACK
9	370156	1	NOZZLE SWIRL 1554-BLUE
9	370167	1	NOZZLE SWIRL 1554-1.3 WHITE
10	371551	1	NOZZ LRG DROP FLAT SPRAY SINGL
11	372140	1	HARDI ISO BLIND CAP
12	390639	1	O-RING F.NOZZLE FILTER
13	614366	1	FILTER 50 MESH F.NOZZLE BLUE
13	614367	1	FILTER 80 MESH F.NOZZLE RED
13	614368	1	FILTER 100 MESH F.NOZZLE YEL.
14	725042	1	SCREEN 80 MESH W.GASKET, RED
14	725043	1	SCREEN 50 MESH W.GASKET,BLUE
14	725044	1	SCREEN 100 MESH W.GASKET,YELLO
15	10423503	1	O-RING 9.12x3.53 NITRIL
16	24022901	1	GASKET D10X19 EP 3.2



INJET Nozzle SYNTAL



B-JET Nozzle SYNTAL



D1040



BOOM-NOZZLES INJET
D1040-HIN, 01:01:16

Page 1

Date 07.02.2020 8:00

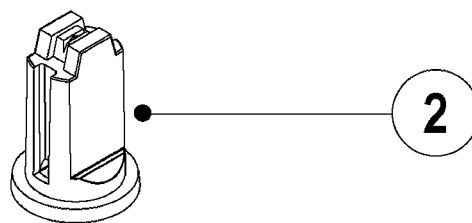
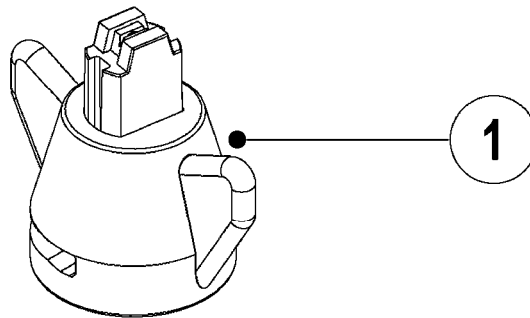
Pos.	parts-n°	order qty	description
1	334083	1	SNAP-FIT NOZZLE HOLDER SS BLCK
2	371872	1	NOZZLE INJET 015 GREEN SINGLE
2	371873	1	NOZZLE INJET 02 YELLOW SINGLE
2	371874	1	NOZZLE INJET 025 LILAC SINGLE
2	371875	1	NOZZLE INJET 03 BLUE SINGLE
2	371876	1	NOZZLE INJET 04 RED SINGLE
2	371926	1	NOZZLE INJET 01 ORANGE SINGLE
2	371927	1	NOZZLE INJET 05 BROWN SINGLE
2	371928	1	NOZZLE INJET 06 GREY SINGLE
2	371929	1	NOZZLE INJET 08 WHITE SINGLE
3	371870	1	NOZZLE B-JET 03 BLUE
3	371871	1	NOZZLE B-JET 04 RED
3	371877	1	NOZZLE B-JET 025 LILAC
3	371930	1	NOZZLE B-JET 02 YELLOW



BOOM-NOZZLES MINIDRIFT
D1050-HIN, 01:01:16

Page 0

Date 07.02.2020 8:00



D1050

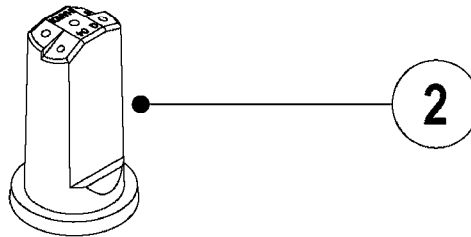
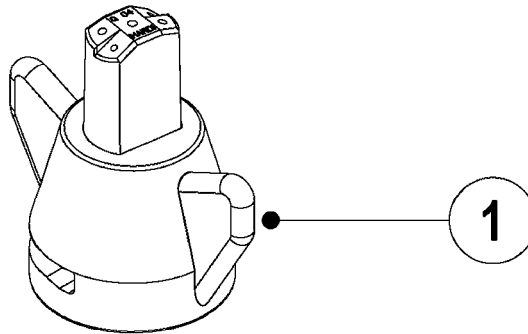


BOOM-NOZZLES MINIDRIFT
D1050-HIN, 01:01:16

Page 1

Date 07.02.2020 8:00

Pos.	parts-n°	order qty	description
1	372121	1	NOZZLE ISO CT MD-015-110 GREEN
1	372122	1	NOZZLE ISO CT MD-02-110 YELLOW
1	372123	1	NOZZLE ISO CT MD-025-110 LILAC
1	372124	1	NOZZLE ISO CT MD-03-110 BLUE
1	372125	1	NOZZLE ISO CT MD-04-110 RED
1	372126	1	NOZZLE ISO CT MD-05-110 BROWN
2	372111	1	NOZZLE ISO MD-015-110 GREEN
2	372112	1	NOZZLE ISO MD-02-110 YELLOW
2	372113	1	NOZZLE ISO MD-025-110 LILAC
2	372114	1	NOZZLE ISO MD-03-110 BLUE
2	372115	1	NOZZLE ISO MD-04-110 RED
2	372116	1	NOZZLE ISO MD-05-110 BROWN



D1060

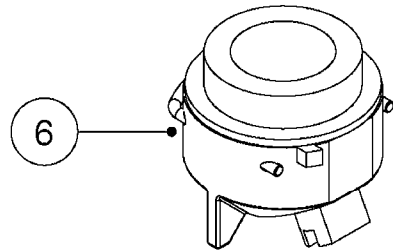
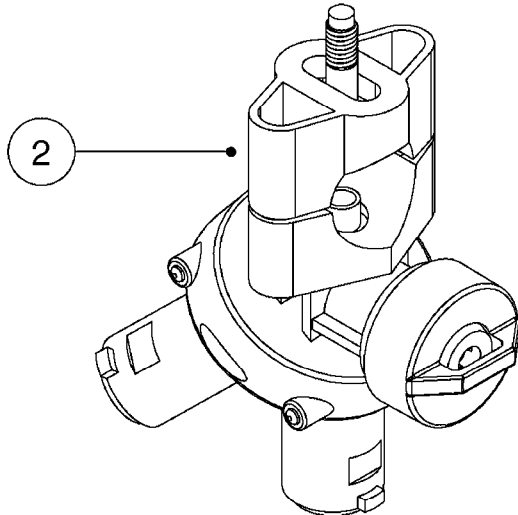


BOOM-NOZZLES QUINTASTREAM
D1060-HIN, 01:01:16

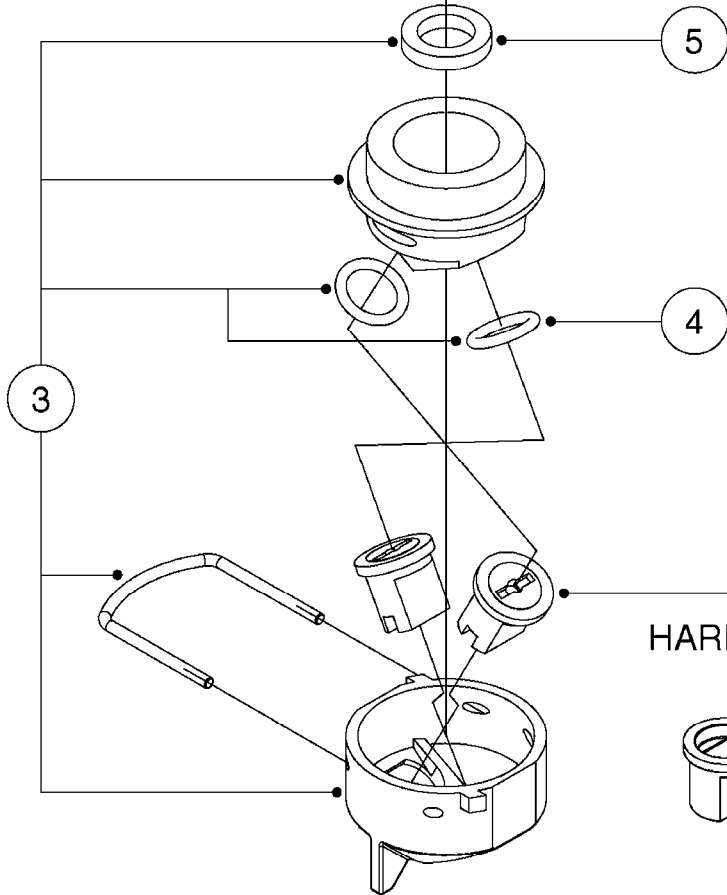
Page 1

Date 07.02.2020 8:00

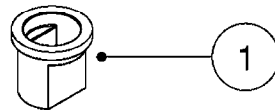
Pos.	parts-n°	order qty	description
1	372011	1	NOZZLE ISO QS-015-5H GREEN
1	372012	1	NOZZLE ISO QS-02-5H YELLOW
1	372013	1	NOZZLE ISO QS-03-5H BLUE
1	372014	1	NOZZLE ISO QS-04-5H RED
1	372015	1	NOZZLE ISO QS-05-5H BROWN
1	372016	1	NOZZLE ISO QS-06-5H GREY
1	372017	1	NOZZLE ISO QS-08-5H WHITE
1	372018	1	NOZZLE ISO QS-10-5H LT. BLUE
1	372019	1	NOZZLE ISO QS-15-5H LT. GREEN
2	372002	1	ISO QNTSTRM 015 S-GREEN
2	372003	1	ISO QNTSTRM 02 S-YELLOW
2	372004	1	ISO QNTSTRM 03 S-BLUE
2	372005	1	ISO QNTSTRM 04 S-RED
2	372006	1	ISO QNTSTRM 05 S-BROWN
2	372007	1	ISO QNTSTRM 06 S-GREY
2	372008	1	ISO QNTSTRM 08 S-WHITE
2	372009	1	ISO QNTSTRM 10 S-LT.BLU
2	372010	1	ISO QNTSTRM 15 S-LT.GRN



COMPLETE ASSEMBLY
WITH NOZZLES



REFER TO
HARDI® NOZZLE CATALOG



D1100

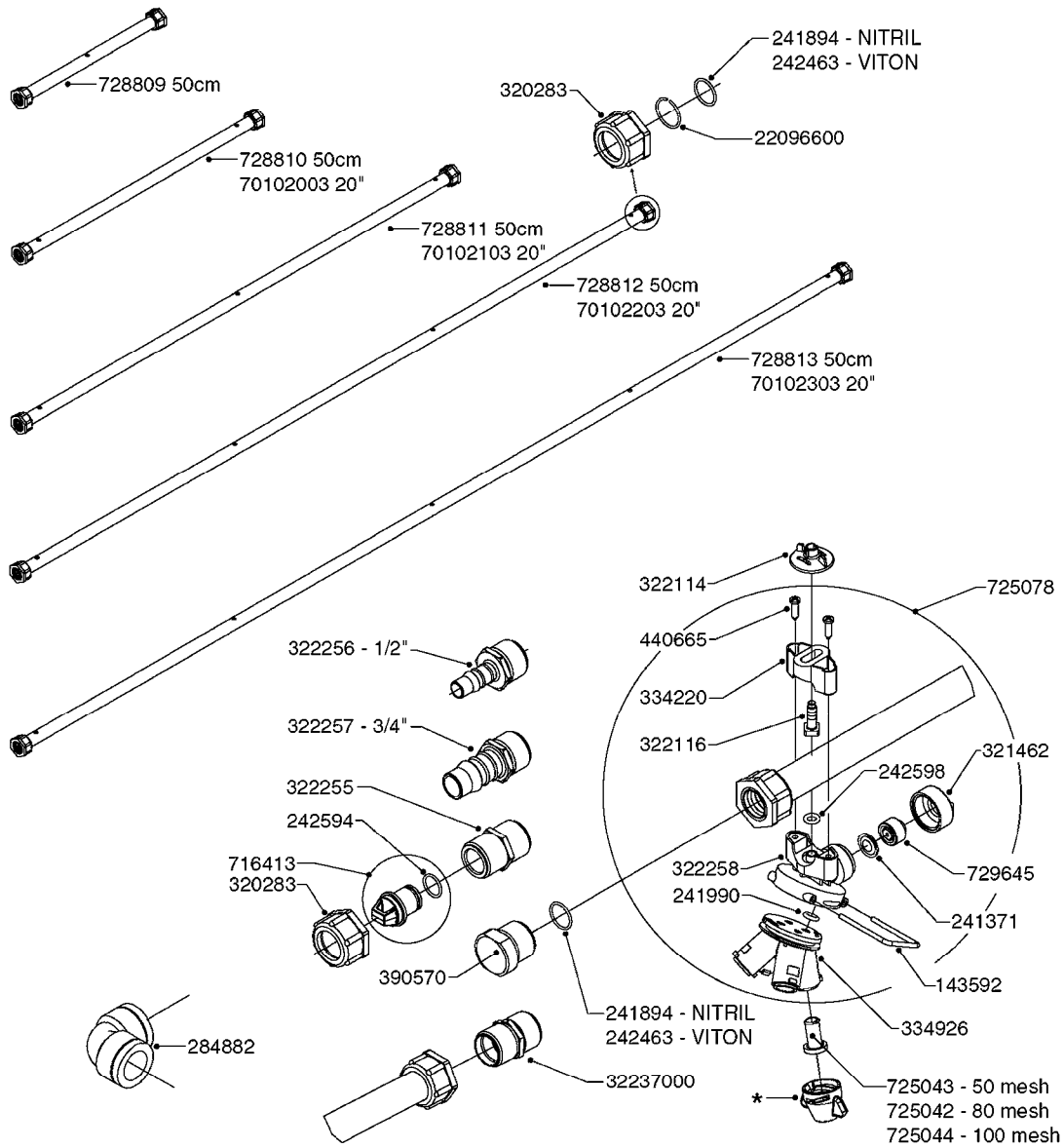


DOUBLE NOZZLE HOLDER-SNAP FIT
D1100-HIN, 01:01:16

Page 1

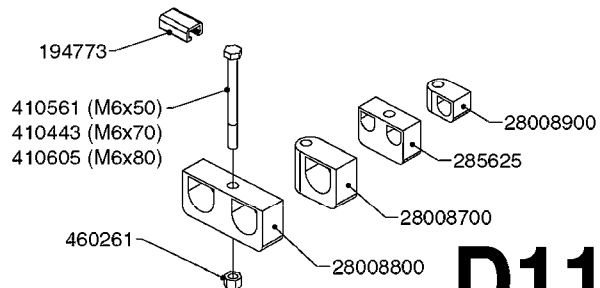
Date 07.02.2020 8:00

Pos.	parts-n°	order qty	description
1	372140	1	HARDI ISO BLIND CAP
2	725078	1	SNAP-FIT TRIPLET W/O NOZZ HOLD
3	28032503	1	DOUBLE NOZZLE HOLDER LD ISO
4	28040103	1	O-RING F.DOUBLE NOZZLE HOLDER
5	28089103	1	GASKET F.DOUBLE NOZZLE HOLDER
6	70056803	1	DOUBLE NOZZLE CAP ORANGE LD 01
6	70056903	1	DOUBLE NOZZLE CAP GREEN LD 015
6	70057003	1	DOUBLE NOZZLE CAP YELLOW LD 02
6	70057103	1	DOUBLE NOZZLE CAP LILAC LD 025
6	70057203	1	DOUBLE NOZZLE CAP BLUE LD 03
6	70057303	1	DOUBLE NOZZLE CAP RED LD 04
6	70057403	1	DOUBLE NOZZLE CAP BROWN LD 05



STAINLESS STEEL FEED TUBES

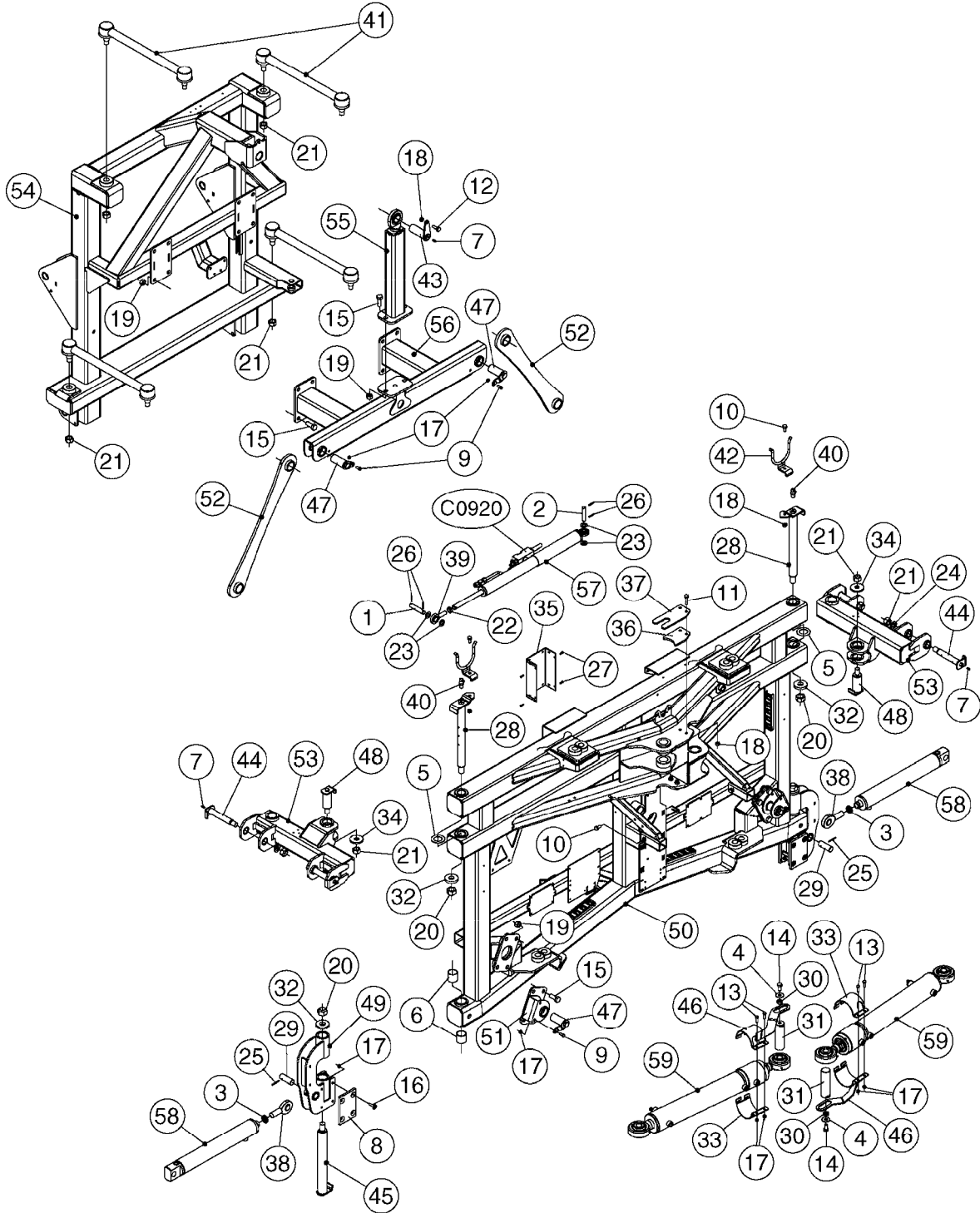
731824	SS feed tube 14"
731825	SS feed tube 24"
731826	SS feed tube 43"
731429	SS feed tube 63"
731430	SS feed tube 83"



D1120



parts-n°	order qty	description
143592	1	LOCK CLAMP FOR TRIPLET
194773	1	C CHANNEL 14.5X8,8X3,5X2 L=24
241371	1	DIAPHRAGM F.NO-DRIP,VULC
241894	1	O-RING D17.1 X 1.6 70SH NITR
241990	1	O-RING D9.3 X 2.4 VITON
242463	1	O-RING D17.17 X1.78 VITON
242594	1	O-RING D14 X 1.78 SCH.70-EPDM
242598	1	O-RING D7.0 X 2.5 NITRIL
284882	1	FITT.DK EL 3/4'X3/4' FEMALE 90
285625	1	CLAMP FOR CABLE D12MM
320283	1	FITT.DK NUT 3/4"BSP
321462	1	CAP F.NO-DRIP ASSY.
322114	1	NUT PLASTIC F.NOZZ.H
322116	1	BOLT PLASTIC F.NOZZ.H.
322255	1	FITT.DK NIPPLE 3/4"X 3/4"
322256	1	FITT.DK 1/2'F.SS TUBE
322257	1	FITT.DK 3/4"F.SS TUBE
322258	1	HOUSING F.TRIPLET
334220	1	YOKE, UPPER NOZZLE BODY
334926	1	SNAP-FIT TURN PLATE F TRIPLET
390570	1	FITT.DK PLUG F.SS TUBE
410443	1	BOLT HEX 8.8 DEL M6X70
410561	1	BOLT HEX 8.8 DEL M6X50 FT
410605	1	BOLT HEX 8.8 DEL M6X80
440665	1	SCREW M4.2X16 STAINLESS
460261	1	NUT HEX M6X1.00 LOCK DIN985 A2 SS
716413	1	FITT.DK PLUG ASSY. F.NOZ TUBE
725042	1	SCREEN 80 MESH W.GASKET, RED
725043	1	SCREEN 50 MESH W.GASKET,BLUE
725044	1	SCREEN 100 MESH W.GASKET,YELLO
725078	1	SNAP-FIT TRIPLET W/O NOZZ HOLD
728809	1	NOZZLE TUBE SS 1 HOLE
728810	1	NOZZLE TUBE SS 2 HOLE 500MM
728811	1	NOZZLE TUBE SS 3 HOLE 500MM
728812	1	NOZZLE TUBE SS 4 HOLE 500MM
728813	1	NOZZLE TUBE SS 5 HOLE 500MM
729645	1	NON-DRIP SPRING ASSY.GREEN 10
731429	1	FEED TUBE SS L=1610mm
731430	1	FEED TUBE SS L=2110mm
731824	1	FEED TUBE SS L=360mm
731825	1	FEED TUBE SS L=610mm
731826	1	FEED TUBE SS L=1110mm
22096600	1	SPRING RING Ø20X1.75 SST
28008700	1	BOOM TUBE BRACKET
28008800	1	PIPE HOLDER DOUBLE FOR D22
28008900	1	PIPE HOLDER SGL.
32237000	1	FITT.DK NIPPLE 3/4"X3/4"
70102003	1	NOZZLE TUBE SS 2 HOLE 20"
70102103	1	NOZZLE TUBE SS 3 HOLE 20"
70102203	1	NOZZLE TUBE SS 4 HOLE 20"
70102303	1	NOZZLE TUBE SS 5 HOLE 20"



D1200



HAZ 120' TRAPEZE CENTER
D1200-HIN, 05:06:19

Page 1

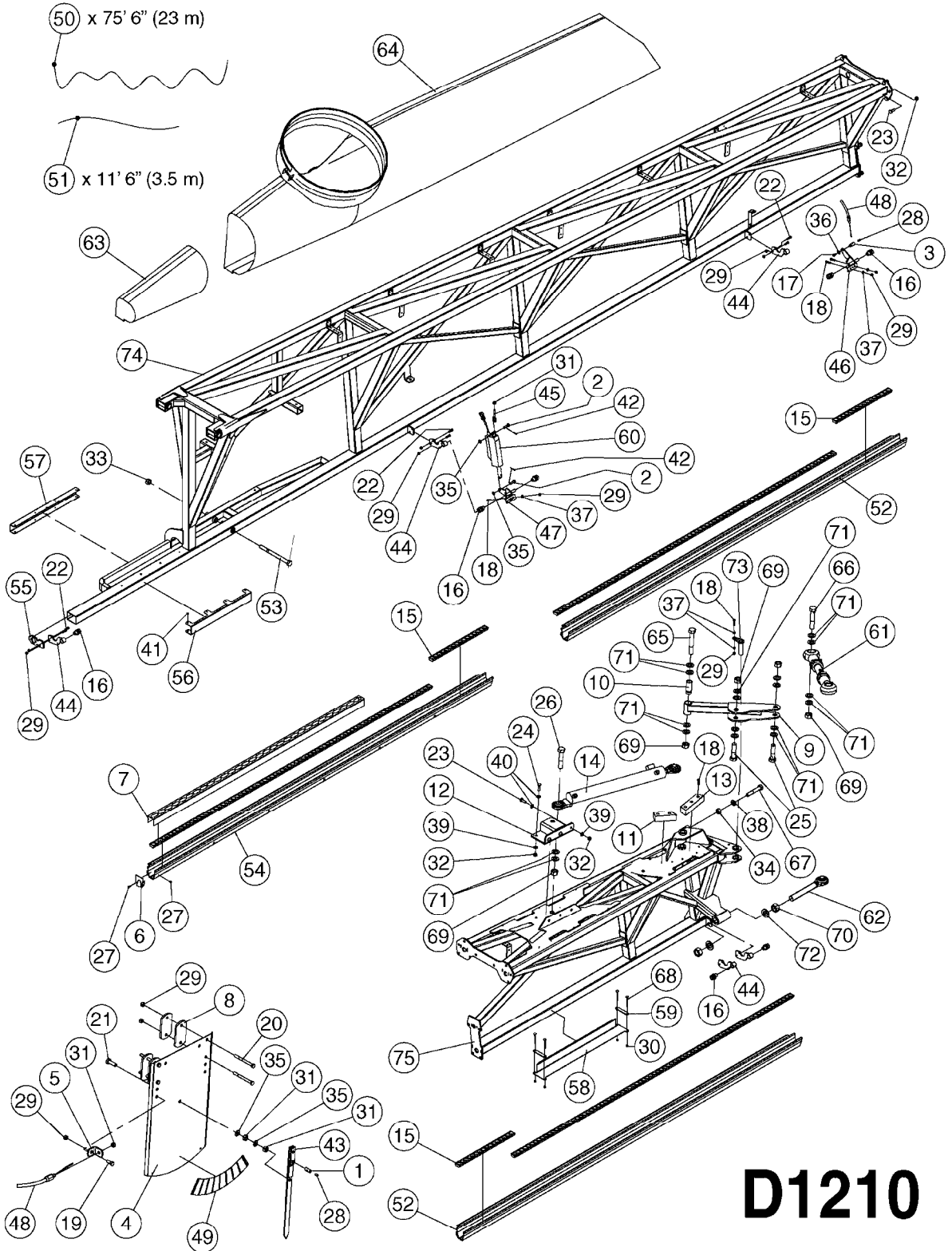
Date 07.02.2020 8:00

Pos.	parts-n°	order qty	description
1	145224	1	SHAFT FOR HY CYLINDER
2	146498	1	PIN D16.8 X 75
3	147128	1	NUT M24X2 NV-32
4	160624	1	WASHER PLATE 6/13 X3
5	210861	1	BUSHING
6	210865	1	BUSHING 40mm40mm DU
7	283699	1	GREASE NIPPLE M6X1
8	390788	1	TEFLON WARE PAD
9	420582	1	BOLT HEX 8.8 DEL M8X20 FT A2
10	420626	1	BOLT HEX 8.8 DEL M10X20 FT
11	420965	1	M10X40 MACHINE SCREW STAINLESS
12	421002	1	BOLT HEX 8.8 DEL M10X30 FT DIN933
13	421046	1	BOLT HEX M8X25/25 A2 SS DIN933
14	430522	1	BOLT HEX 8.8 DEL M12X25 FT
15	430581	1	BOLT HEX 8.8 DEL M16X40 FT
16	450343	1	SCREW M8X30 ALLEN HEAD C/S SS
17	460143	1	SELF LOCK NUT M8 SST A2 DIN985
18	460423	1	NUT HEX M10X1.50 LOCK DIN985A2 SS
19	460585	1	LOCKING NUT M16 DIN985 A2 SS
20	460747	1	NUT HEX M24 LOCK
21	460806	1	NUT HEX M20X2.50 LOCK DIN985A2 SS
22	461198	1	NUT HEX M16X2 JAMB
23	471128	1	WASHER, M16, Ø30/17.0X 3.0, SS
24	471180	1	LOCK WASHER NORDLOCK M20 ELZ
25	480708	1	PIN D4 X 45
26	480730	1	PIN ROLL 5X30 STAINLESS STEEL
27	480806	1	RIVET, POP, Ø4.8X14/Ø9.5 SS
28	615812	1	PIN
29	14062500	1	PIN Ø25/Ø4 L= 70
30	14062900	1	BUSHING Ø 25/Ø12.5 L= 8
31	14146300	1	PIN Ø40.0 L= 140
32	16375500	1	WASHER 10.0X60X25 RED
33	16406300	1	BRACKET F. FOLDING CYLINDER, RED
34	16411300	1	WASHER Ø 60.0/ 20.5X 6.0 SS
35	16458800	1	PROTECTION F. TWIN HOSES
36	16525300	1	SPACER PLATE WIDE CENTER
37	16525400	1	LOCKPLATE 120' HAZ 3.1 WIDE
38	21091800	1	LINK HEAD Ø25,M24X55 W/ GREASE NIP. DELTA
39	21091900	1	LINK HEAD M16 x D17 DELTA
40	28028100	1	GREASE NIPPLE 1/8'RG 90°
41	28066100	1	STEER.ARM COMPL.2XØ35 L=19.7"
42	61005200	1	HOSE HOLDER
43	61037600	1	PIN Ø34.8/L=94
44	61041900	1	PIN D25X137/ M20 DEL.
45	61043100	1	PIN D40X341/ M24 DEL.
46	61083300	1	GUIDE F. FOLDING CYLINDER
47	61100200	1	PIN Ø34,8 L=80, DTZ
48	61100600	1	BEARINGBOLT Ø40/M20 L=85.5
49	63172600	1	PIVOT JOINT BOTTOM 32-36M HAZ '16
50	63195600	1	WIDE CENTER FRAME HAZ 120' RED
51	63204600	1	TRAPEZ BOTTOM MOUNT DTZ PAINTED
52	63205600	1	TRAPEZ ARM DTZ PAINTED
53	63207300	1	UPPER HINGE, HAZ 120'. '15, RED
54	63218300	1	LIFTFRAME LOW 120' HAZ RED
55	63219500	1	PENDULUM F. TRAPEZE HAZ RED
56	63219600	1	TRAPEZE TOP MOUNT HAZ RED
57	78126000	1	CYLINDER,DAMPNER,LOCKING
58	78134600	1	SIN.CYL.Ø60/30_380_M24X2
59	78134700	1	CYLINDER 80/45 L=380 WITH DAMP L=40



HAZ 3.1 120' TF BOOM 2 FOLD
INNER
D1210-HIN, 31:01:18

Page 0
Date 07.02.2020 8:00



D1210



HAZ 3.1 120' TF BOOM 2 FOLD
INNER
D1210-HIN, 31:01:18

Page 1
Date 07.02.2020 8:00

Pos.	parts-n°	order qty	description
1	142881	1	WIRE HOLDER FOR REMOTE CONTROL
2	146023	1	PIN FOR COGWHEEL
3	147485	1	BUSHING Ø13.0/M6 L=31/Ø4.2/Ø10
4	161056	1	PLATE F. TILT INDICATOR
5	161059	1	BRACKET F.TILT INDICATOR CABLE
6	161183	1	AIR SLOT END RH
6	161185	1	AIR SLOT END LH
7	161675	1	AIR DIFFUSER L=1870 R.H.
8	172213	1	FLAT BAR F.BOOM STRAP
9	278584	1	LEFT LINK ARM TR5
9	288063	1	RIGHT LINK ARM
10	278586	1	BUSHING 35X5 L82
11	278594	1	SUPPORT BLOCK RIGHT 115X135X50X40
11	288065	1	SUPPORT BLOCK LEFT 115X135X50X40
12	278595	1	RIGHT CYLINDER BRACKET
12	278596	1	LEFT CYLINDER BRACKET
13	288066	1	SUPPORT BLOCK 178/220X50X40
14	288077	1	DOB.CYL.Ø63/36-500 RIGHT 001-514D
14	781806	1	CYLINDER 63/36 L=500 LEFT 001-514G
15	334887	1	AIRGUIDE TWIN FORCE L=494
16	390791	1	BUSHING F. AIR SLOT
17	410546	1	BOLT HEX M6X12 A2 SS DIN933
18	420567	1	BOLT HEX 8.8 DEL M8X30 FT
19	420582	1	BOLT HEX 8.8 DEL M8X20 FT A2
20	420847	1	BOLT HEX 8.8 DEL M8X85
21	421002	1	BOLT HEX 8.8 DEL M10X30 FT DIN933
22	421046	1	BOLT HEX M8X25/25 A2 SS DIN933
23	430286	1	BOLT HEX 8.8 DEL M12X30 FT
24	430717	1	BOLT HEX 8.8 RAW M12x40
25	438033	1	SCREW 1"X 4" DIN931
26	438034	1	SCREW M 1"X 5" DEL DIN931
27	440673	1	SCREW F.PLASTIC 5X12 SS
28	450144	1	SCREW M6X10 8.8
29	460143	1	SELF LOCK NUT M8 SST A2 DIN985
30	460261	1	NUT HEX M6X1.00 LOCK DIN985 A2 SS
31	460423	1	NUT HEX M10X1.50 LOCK DIN985A2 SS
32	460703	1	NUT HEX M12X1.75 LOCK DIN985A2 SS
33	460747	1	NUT HEX M24 LOCK
34	461228	1	NUT HEX M20
35	471122	1	WASHER, M10, Ø20/10.5X 2.0, SS
36	471124	1	WASHER, M6, Ø18/ 6.4X 1.6, SS
37	471126	1	WASHER, M8, Ø16/ 8.4X 1.6, SS
38	471180	1	LOCK WASHER NORDLOCK M20 ELZ
39	478032	1	CONTACT WASHER 12X24X2.5
40	478067	1	WASHER Z12N 13X24X2.5 A2
41	480227	1	POP NUT Ø4 X9.5 RST/RST
42	480728	1	PIN D3.2X20 SPLIT
43	615756	1	INDICATOR ARROW
44	615788	1	BRACKET
45	615808	1	ANCHOR ADJ.F.ACTUATOR
46	637850	1	BKT AIR SLOT RH
47	637855	1	BKT AIR SLOT LH
47	637856	1	BKT AIR SLOT RH
48	715444	1	REMOTE CONTROL CABLE L=2000
49	978503	1	DECAL TILT SCALE TWIN FORCE
50	981474	1	6MM ELASTIC CORD X M
51	981504	1	ELASTIC CORD 4MM
52	14032200	1	AIR SLOT RAIL L=2995/D25
53	14064600	1	BEARING BOLT Ø25.0 L= 270/260
54	14130500	1	AIRPROFILE L=3125 R. Ø25
54	14130700	1	AIRPROFILE L=3125 L. Ø25



Agroparts: www.HARDI-INTERNATIONAL.com

HAZ 3.1 120' TF BOOM 2 FOLD
INNER
D1210-HIN, 31:01:18

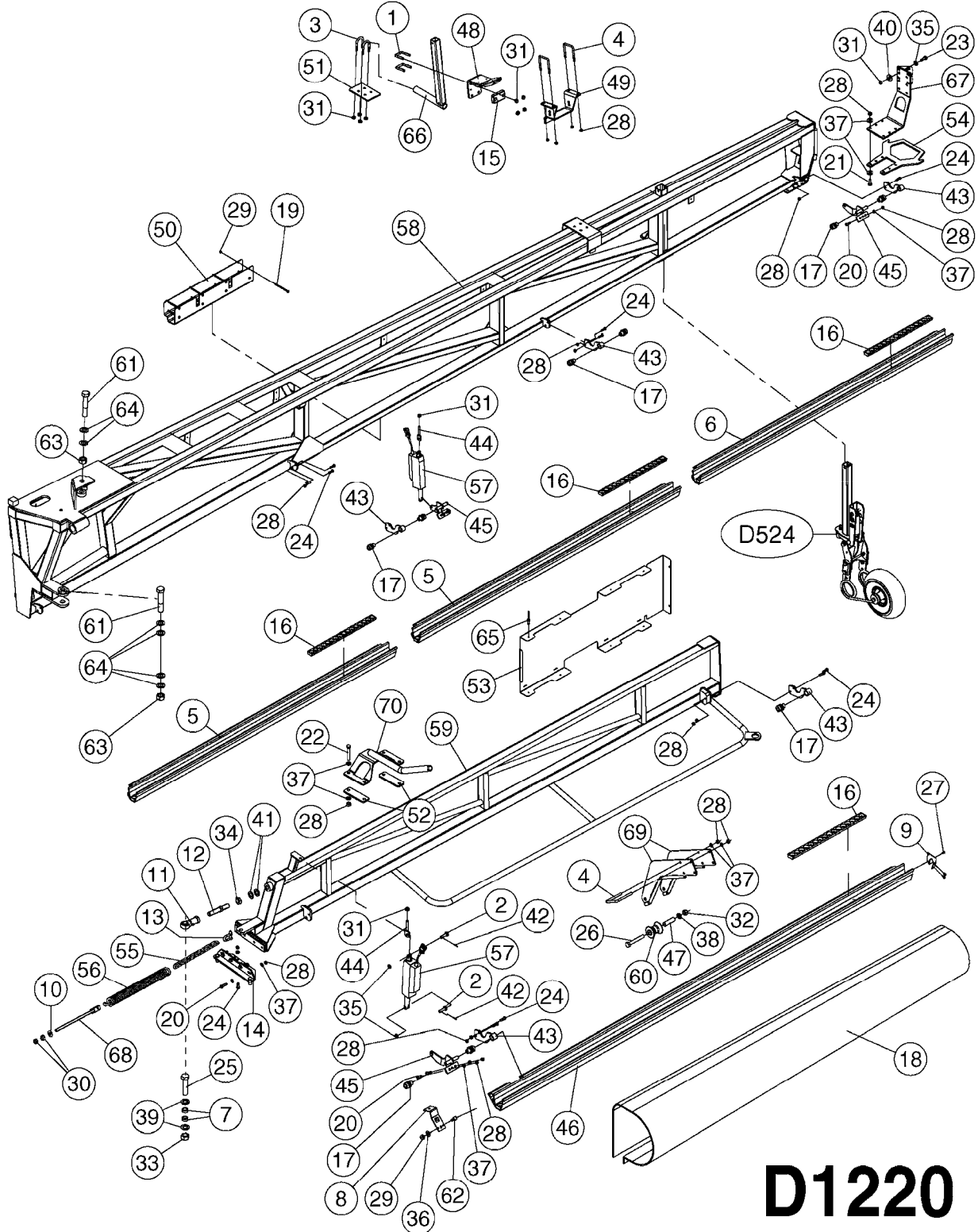
Page 2
Date 07.02.2020 8:00

Pos.	parts-n°	order qty	description
55	16089900	1	PLATE 6.0X128.5X58.5/M. HOLE
56	16474900	1	WEARPLATE RST.1.5X128.5X580 2XBEND
57	16475000	1	WEARPLATE RST.1.5X168.5X535 2XBEND
58	16483600	1	TRANSPORT PROTECTION, HAZ
59	16483700	1	STRIP FOR 16483600
60	26047400	1	ACTUATOR 0-130MM L=0,5M/4WIREAMP
61	28041904	1	DOUBLE LINK EYE ARM D26 M30 010-007
62	28054604	1	ARTICULATED EYE M34X200
63	39148800	1	AIRBAG HAZ WIDE CENTER 2 OF 2
64	39149000	1	AIRBAG 36M HAZ R. 1 OF 2
64	39149100	1	AIRBAG 36M HAZ L. 1 OF 2
65	43051704	1	BOLT 1" X 7 " 1/2 HEX UNC DIN931
66	43052304	1	BOLT 1"X6" HEX UNC DIN931
67	43100600	1	BOLT HEX SS M12 X 110
68	44075100	1	BOLT, CARRIAGE, M6X70 DIN603 SS
69	46001704	1	NUT NYLOCK 1" UNC
70	46015204	1	NUT HEX M34X2.0
71	47001904	1	WASHER NORDLOCK Ø1"
72	47002104	1	WASHER NORDLOCK M33 LARGE
73	61101800	1	PINBOLT W. FLANGE Ø25.4 L=100
74	63172200	1	IN.WING IN.PART 120' R. NEG.TILT
74	63172300	1	IN.WING IN.PART 120' L. NEG.TILT
75	63201200	1	INNERWING OUTERPART 120' HAZ R.
75	63201300	1	INNERWING OUTERPART 120' HAZ L.



HAZ 3.1 120' TF BOOM 2 FOLD
OUTER
D1220-HIN, 31:01:18

Page 0
Date 07.02.2020 8:00





HAZ 3.1 120' TF BOOM 2 FOLD
OUTER
D1220-HIN, 31:01:18

Page 1
Date 07.02.2020 8:00

Pos.	parts-n°	order qty	description
1	143161	1	BOLT U M10 40X40
2	146023	1	PIN FOR COGWHEEL
3	146267	1	BOLT U F.500 EAG BRACE
4	146843	1	BOLT U M8 F.60 x 60
5	147486	1	AIR SLOT RAIL L=1995/D25
6	147488	1	AIR SLOT RAIL L=1935/D25
7	158739	1	BUSHING 3/4"X10
8	161128	1	NOZZLE HOLDER TF
9	161183	1	AIR SLOT END RH
9	161185	1	AIR SLOT END LH
10	165557	1	WASHER D28.0/D12.2X2.0 SS
11	278141	1	BALL JOINT M20X1.5 LEFT
12	278459	1	ROD M20X1.5
13	281912	1	SHACKLE M-10
14	288062	1	ANGLE PLATE TR5
15	334603	1	RUBBER STOP 86X48X15
16	334887	1	AIRGUIDE TWIN FORCE L=494
17	390791	1	BUSHING F. AIR SLOT
18	391183	1	AIR BAG F.BREAKAWAY 3M HAZ-R.
18	391184	1	AIR BAG F.BREAKAWAY 3M HAZ-L.
19	410524	1	BOLT HEX 8.8 DEL M6X100
20	420567	1	BOLT HEX 8.8 DEL M8X30 FT
21	420744	1	BOLT HEX 8.8 DEL M8X40
22	420781	1	BOLT HEX 8.8 DEL M8X50
23	421002	1	BOLT HEX 8.8 DEL M10X30 FT DIN933
24	421046	1	BOLT HEX M8X25/25 A2 SS DIN933
25	430917	1	SCREW M20X90
26	430924	1	BOLT HEX 8.8 DEL M12 X 85
27	440673	1	SCREW F.PLASTIC 5X12 SS
28	460143	1	SELF LOCK NUT M8 SST A2 DIN985
29	460261	1	NUT HEX M6X1.00 LOCK DIN985 A2 SS
30	460386	1	NUT HEX M12X1.75
31	460423	1	NUT HEX M10X1.50 LOCK DIN985A2 SS
32	460703	1	NUT HEX M12X1.75 LOCK DIN985A2 SS
33	460806	1	NUT HEX M20X2.50 LOCK DIN985A2 SS
34	461200	1	NUT HEX M20X1.5 JAMB.
35	471122	1	WASHER, M10, Ø20/10.5X 2.0, SS
36	471125	1	WASHER M6U 6.4X14X1.2,A2 SS
37	471126	1	WASHER, M8, Ø16/ 8.4X 1.6, SS
38	471127	1	WASHER, M12, Ø24/13X24X2.5 SS
39	471129	1	WASHER, M20, Ø37/21.0X 3.0, SS
40	471140	1	WASHER D30/D10.5X2.5 STAINLESS
41	471180	1	LOCK WASHER NORDLOCK M20 ELZ
42	480728	1	PIN D3.2X20 SPLIT
43	615788	1	BRACKET
44	615808	1	ANCHOR ADJ.F.ACTUATOR
45	637850	1	BKT AIR SLOT RH
45	637851	1	BKT AIR SLOT LH
46	14049500	1	AIR PROFILE L=2755 W. D25 R.
47	15133700	1	BUSHING Ø16.0 X1.5 L=54
48	16158200	1	TARNSPORT BRACKET HOOK HAZ
49	16171100	1	TRANSPORT SLIDE BRACKET HAZ
50	16195700	1	SUPPORT F.OUTER WING 118' HAZ
51	16205500	1	BRACKET 173326 PAINTED
52	16455700	1	MOUNT.PL. F.BREAK-AWAY HOLDER
53	16469000	1	PROTECTION SHIELD, 120' HAZ
54	16495400	1	PLATE 8.0X280X316 6XØ8.5
55	19490000	1	CHAIN Ø6X42MM L=500 12 LINKS RED
56	22098100	1	PL. SPRING Ø42/7.5 L=405 PAINTED
57	26047400	1	ACTUATOR 0-130MM L=0,5M/4WIREAMP
58	28170000	1	ALU OUTERWING 120' HAZ R.



HAZ 3.1 120' TF BOOM 2 FOLD
OUTER
D1220-HIN, 31:01:18

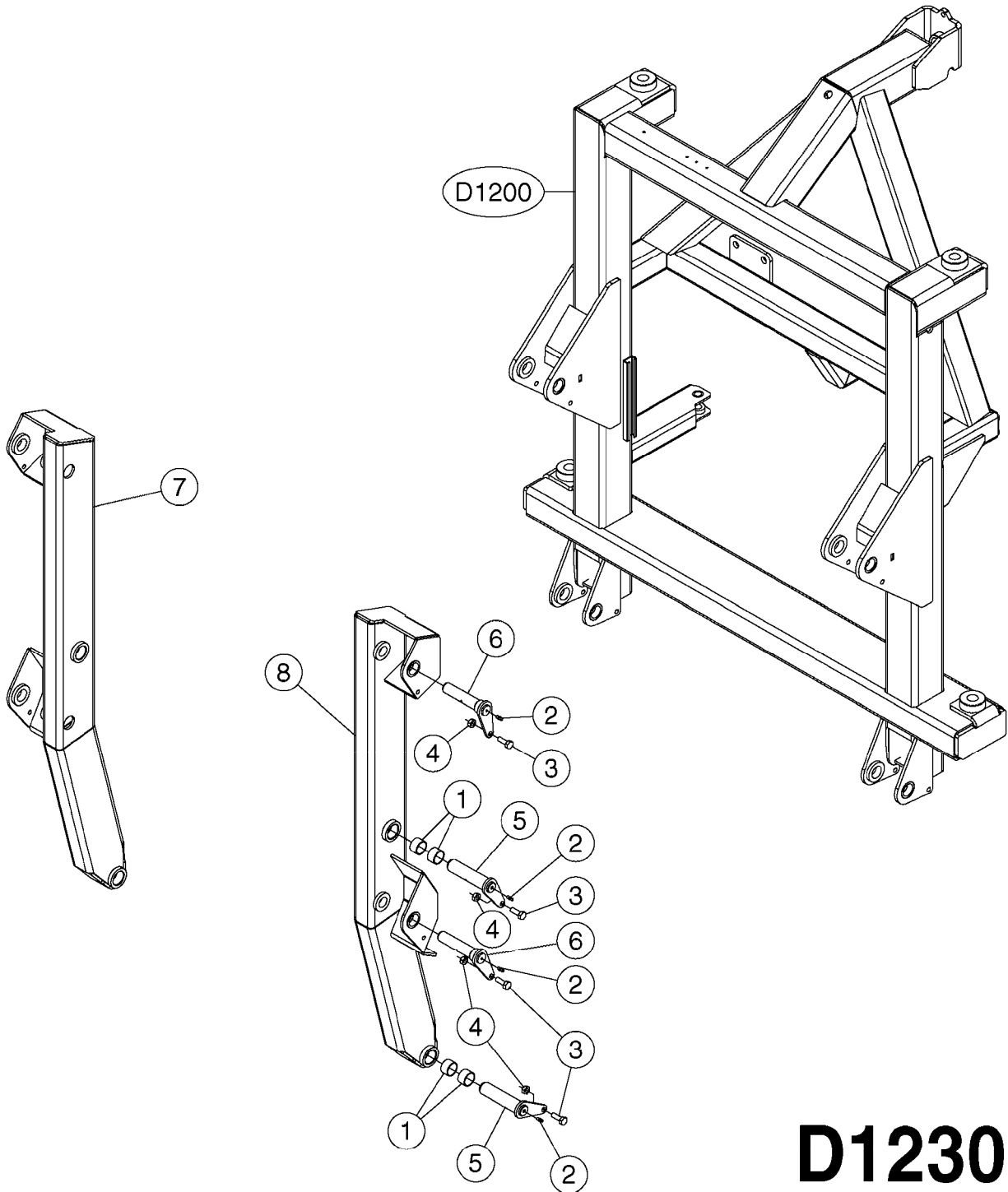
Page 2
Date 07.02.2020 8:00

Pos.	parts-n°	order qty	description
58	28170100	1	ALU OUTERWING 120' HAZ L.
59	28170500	1	ALU BREAK-AWAY 120' SPRING R.
59	28170600	1	ALU BREAK-AWAY 120' SPRING L.
60	39141200	1	PLASTIC TRUSS D30/16.5 L=52
61	43052304	1	BOLT 1"X6" HEX UNC DIN931
62	45002100	1	SCREW M6X20 W.SQ.HEAD SS
63	46001704	1	NUT NYLOCK 1" UNC
64	47001904	1	WASHER NORDLOCK Ø1"
65	48082000	1	RIVET Ø4.8X12.7/ALU/ST
66	61043300	1	TRANS PORT TUBE UPRIGHT HAZ
67	61082300	1	BREAK-AWAY BRAC. SPRING HAZ R.
67	61082400	1	BREAK-AWAY BRAC. SPRING HAZ L.
68	61101900	1	SET SCREW F. BREAKAWAY
69	61106700	1	BREAK-AWAY SUPPORT HAZ 3.1
70	61106800	1	BREAK-AWAY SUPPORT HAZ 3.1



ALPHA EVO LIFT ADAPTER 120'
HAZ 3.1
D1230-HIN, 01:02:18

Page 0
Date 07.02.2020 8:00

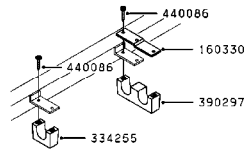
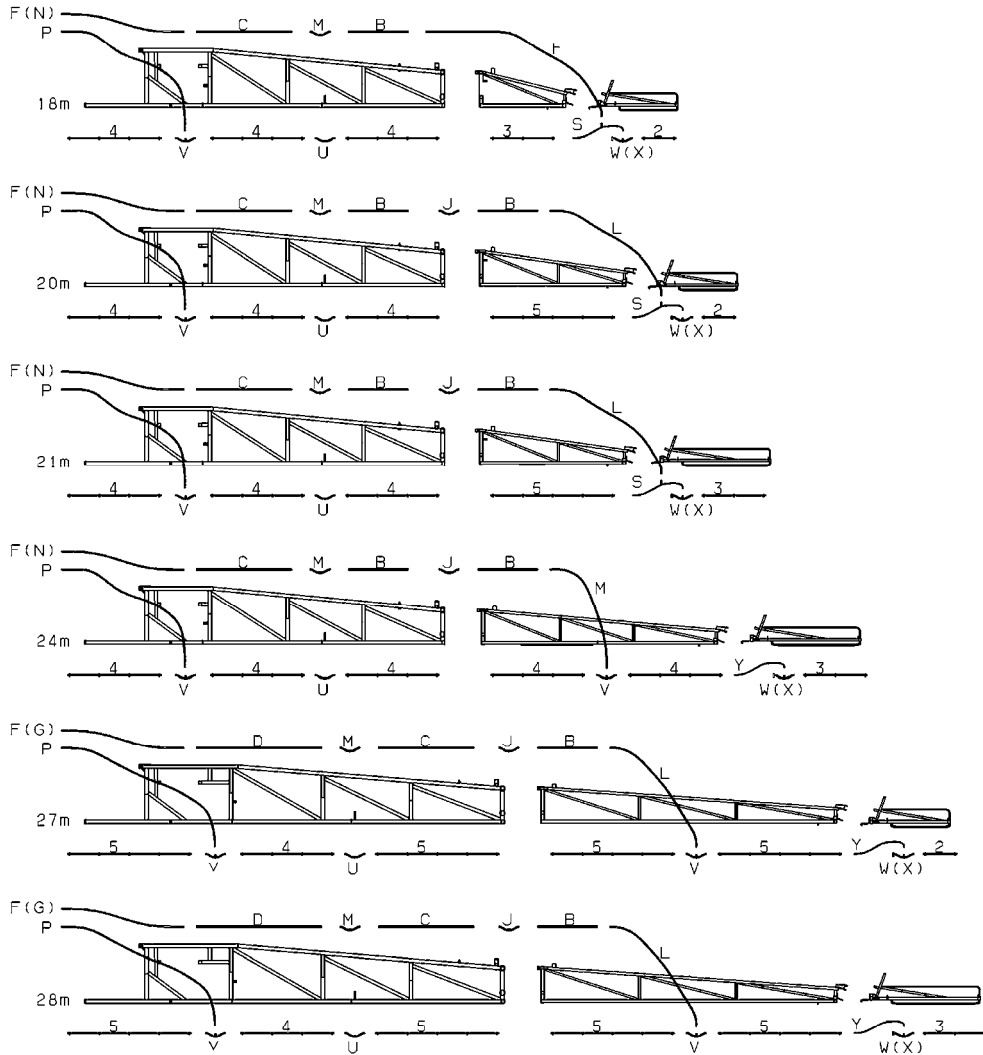




ALPHA EVO LIFT ADAPTER 120'
HAZ 3.1
D1230-HIN, 01:02:18

Page 1
Date 07.02.2020 8:00

Pos.	parts-n°	order qty	description
1	210858	1	BUSHING 034/30 L=20
2	283699	1	GREASE NIPPLE M6X1
3	421002	1	BOLT HEX 8.8 DEL M10X30 FT DIN933
4	460423	1	NUT HEX M10X1.50 LOCK DIN985A2 SS
5	61061300	1	PIN, Ø30 L=122
6	61061500	1	PIN Ø30/25 L=122
7	63149300	1	LIFTFRAME ADAPTER ALPHA R, RED
8	63149500	1	LIFTFRAME ADAPTER ALPHA L, RED



	Lmm	N°
A	600	614647
B	1100	614648
C	1600	614649
D	2100	614650

	TRIP	COIAD
W	730942	731119
X	731351	731541

Ø"	Lmm	N°
F 3/4	3450	731086
G 3/4	4800	726741
J 3/4	2200	726688
L 3/4	600	728404
N 3/4	390	726097
N 3/4	4200	727910
P 3/4	1100+2200	731370
S 1/2	22600	730841
U 1/2	430	728558
V 1/2	2x175	728337
W 1/2	180+225	730942
X 1/2	180+225	731351
Y 1/2	1200	728570

D914



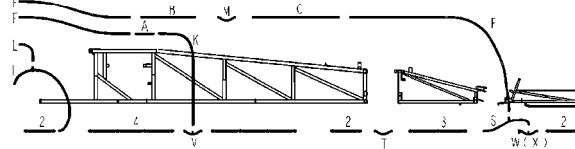
FEED PIPES HAZ 4 SECTION
D914-HIA, 01:12:03

Page 1
Date 07.02.2020 8:00

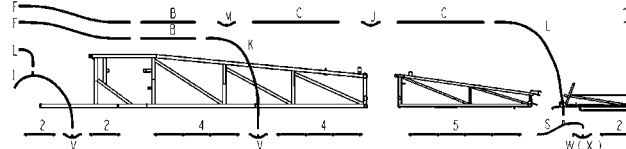
parts-n°	order qty	description
160330	1	PLATE 3,0X85X22 - 3Xz5
334255	1	PIPE HOLDER SINGLE FOR 0 22
390297	1	PIPE HOLDER DOUBLE
440086	1	SUBSTITUTE TO 440665
614647	1	NOZZLE TUBE L=600mm NO HOLES
614648	1	NOZZLE TUBE L=1100mm NO HOLES
614649	1	NOZZLE TUBE L=1600mm NO HOLES
614650	1	NOZZLE TUBE L=2100mm NO HOLES
725688	1	HOSE 3/4'X2300MM2X3/4'OML
725870	1	PRESS.HOSE 1/2'X1200 W/2X3/4'
726097	1	TSL.3/4"x390OML alt 725683
726741	1	TSL. 3/4'X 4800 2X3/4'OML
727010	1	PRESS. HOSE 3/4'X 4200
728337	1	HOSE 1/2" W/TEE(2X7")X3/4"BSP
728404	1	HOSE 3/4 X 800 2x3/4"OML
728558	1	PRESS. HOSE 1/2' X 430 2X
730941	1	PRESSUR1/2'X600-600 1X3/4'OML.
730942	1	TSL 1/2"X180-225 SPC.TRIPL. A
731086	1	PRES. 3/4'X 3550/2X3/4' NUT.
731191	1	731191
731370	1	PRESS.HOSE 3/4'1100-2200
731391	1	PRESS.HOSE 1/2'X180-225 SPC. L
731541	1	731541



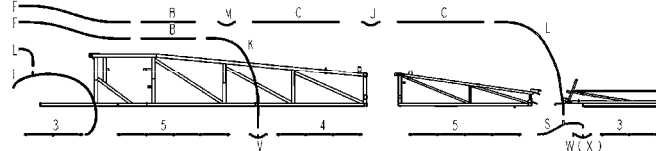
18 M, 5 SECTION



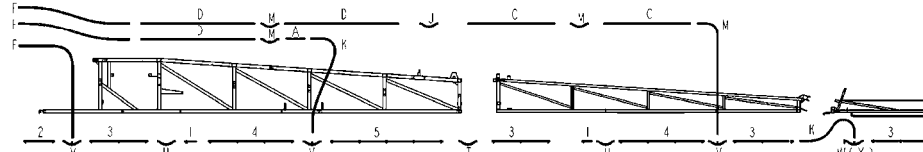
20 M, 5 SECTION



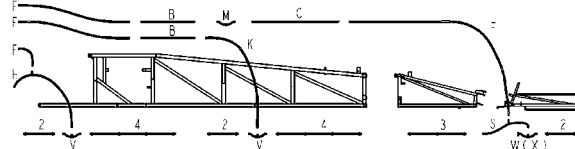
21 M, 5 SECTION



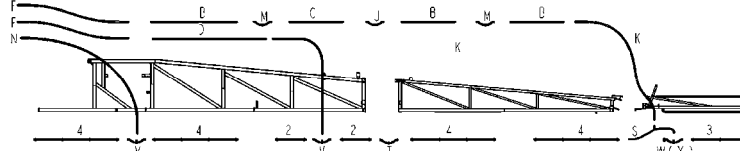
30 M, 5 SECTION



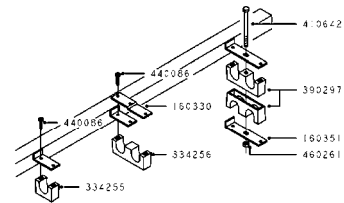
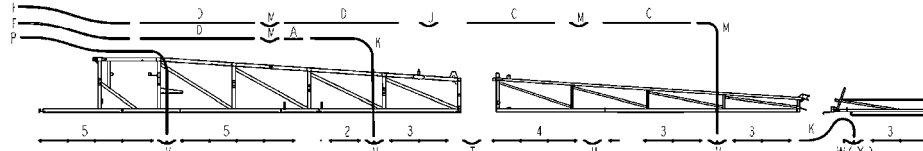
18 M, 6 SECTION



24 M, 6 SECTION



30 M, 6 SECTION



Ø	Lmm	Nr
137,4	3450	13 496
137,4	3000	124628
137,4	2400+230+2400	130940
137,4	2400+230+2400	12206000
137,4	2200	125688
137,4	1150	128025
137,4	820	128232
137,4	350	128371
137,4	800+3600	1204110
117,2	2450	130941
117,2	2600	13 499
117,2	430	128538
117,2	24 75	128537
117,2	160+225	130942
117,2	180+225	13 381

	Lmm	Nr
A	600	614631
B	100	614646
C	600	614648
D	2100	614650

	TRIP	QUAD
W	730942	731191
X	731391	731541

D915



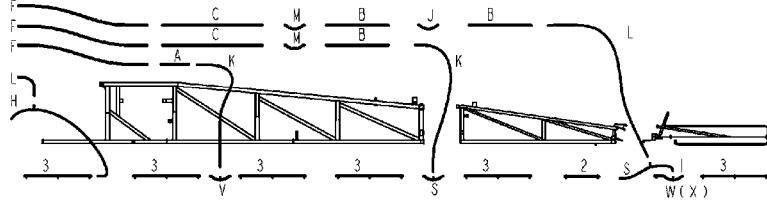
FEED PIPES HAZ 5-7 SECTION
D915-HIA, 01:12:03

Page 1
Date 07.02.2020 8:00

parts-n°	order qty	description
160330	1	PLATE 3,0X85X22 - 3Xz5
168308	1	BRACKET F. DOUBLE-CLAMP
334255	1	PIPE HOLDER SINGLE FOR 0 22
334256	1	PIPE HOLDER DOUBLE FOR D22
390297	1	PIPE HOLDER DOUBLE
410642	1	BOLT HEX 8.8 DEL M6X75
440086	1	SUBSTITUTE TO 440665
460261	1	NUT HEX M6X1.00 LOCK DIN985 A2 SS
614647	1	NOZZLE TUBE L=600mm NO HOLES
614648	1	NOZZLE TUBE L=1100mm NO HOLES
614649	1	NOZZLE TUBE L=1600mm NO HOLES
614650	1	NOZZLE TUBE L=2100mm NO HOLES
72047100	1	72047100
72250300	1	72250300
724608	1	PRES.HOSE 3/4'X3000 2X3/4'UN.N
725688	1	HOSE 3/4'X2300MM2X3/4'OML
726097	1	TSL.3/4"x390OML alt 725683
728025	1	OV.FL.HO. 3/4'X 1150 2 X 3/4
728337	1	HOSE 1/2" W/TEE(2X7")X3/4"BSP
728404	1	HOSE 3/4 X 800 2x3/4"OML
728558	1	PRESS. HOSE 1/2' X 430 2X
730940	1	PRESSU3/4'2X2400-200 2X3/4'OML
730941	1	PRESSUR1/2'X600-600 1X3/4'OML.
730942	1	TSL 1/2"X180-225 SPC.TRIPL. A
731086	1	PRES. 3/4'X 3550/2X3/4' NUT.
731191	1	731191
731391	1	PRESS.HOSE 1/2'X180-225 SPC. L
731460	1	PRESSURE HOSE 1/2' X 2600
731541	1	731541

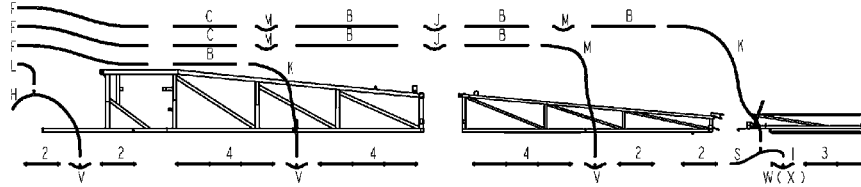


21M, 7 SECTION



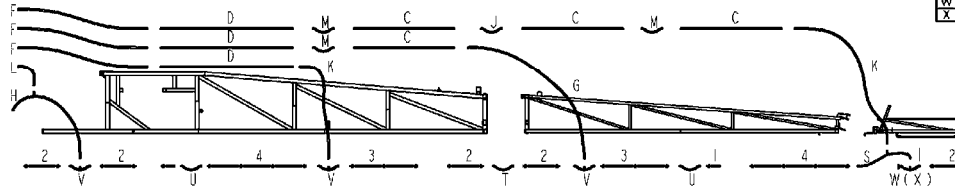
Ø	mm	Nr.
F 3/2	3450	731086
G 3/2	3000	724608
H 3/2	2400+200+2400	730920
I 3/2	2400+200+2400	7320300
J 3/2	2200	725688
K 3/2	1150	728025
L 3/2	800	728404
M 3/2	590	726397
N 3/2	900	731877
P 3/2	400	726121
S 7/2	2x600	730921
T 7/2	2600	731460
U 7/2	450	725558
V 7/2	2x175	728337
W 7/2	180+225	730922
X 7/2	180+225	731391

24M, 7 SECTION



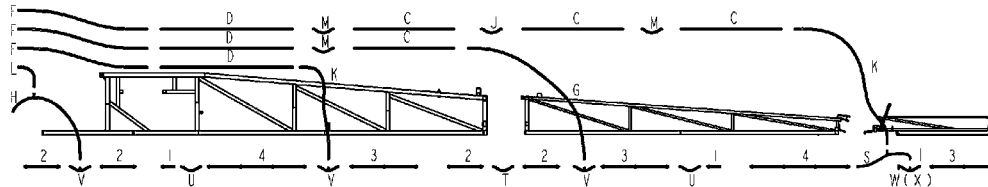
mm	Nr.
A	600 614827
B	1100 614828
C	1600 614649
D	2100 614850

27M, 7 SECTION

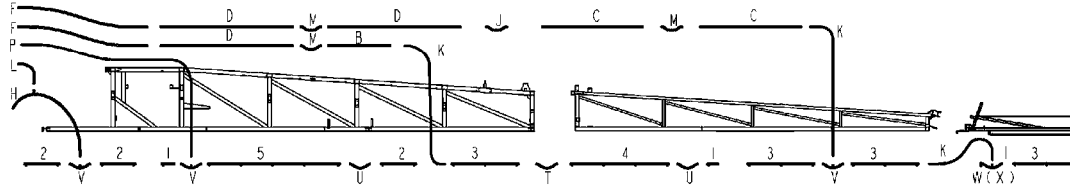


TRIP	QJAD
W	730922 731191
X	731391 731541

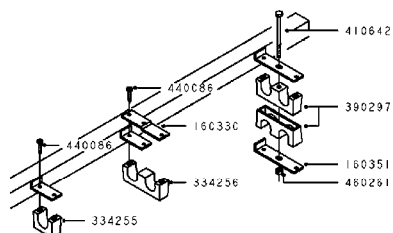
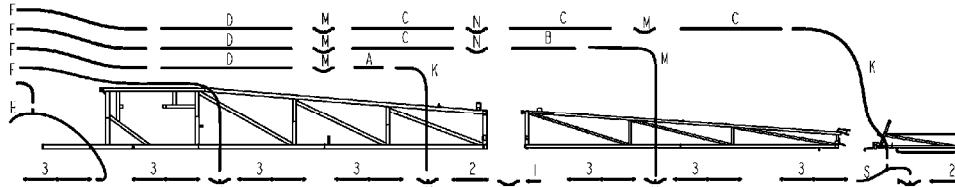
28M, 7 SECTION



30M, 7 SECTION



27M, 9 SECTION



D931

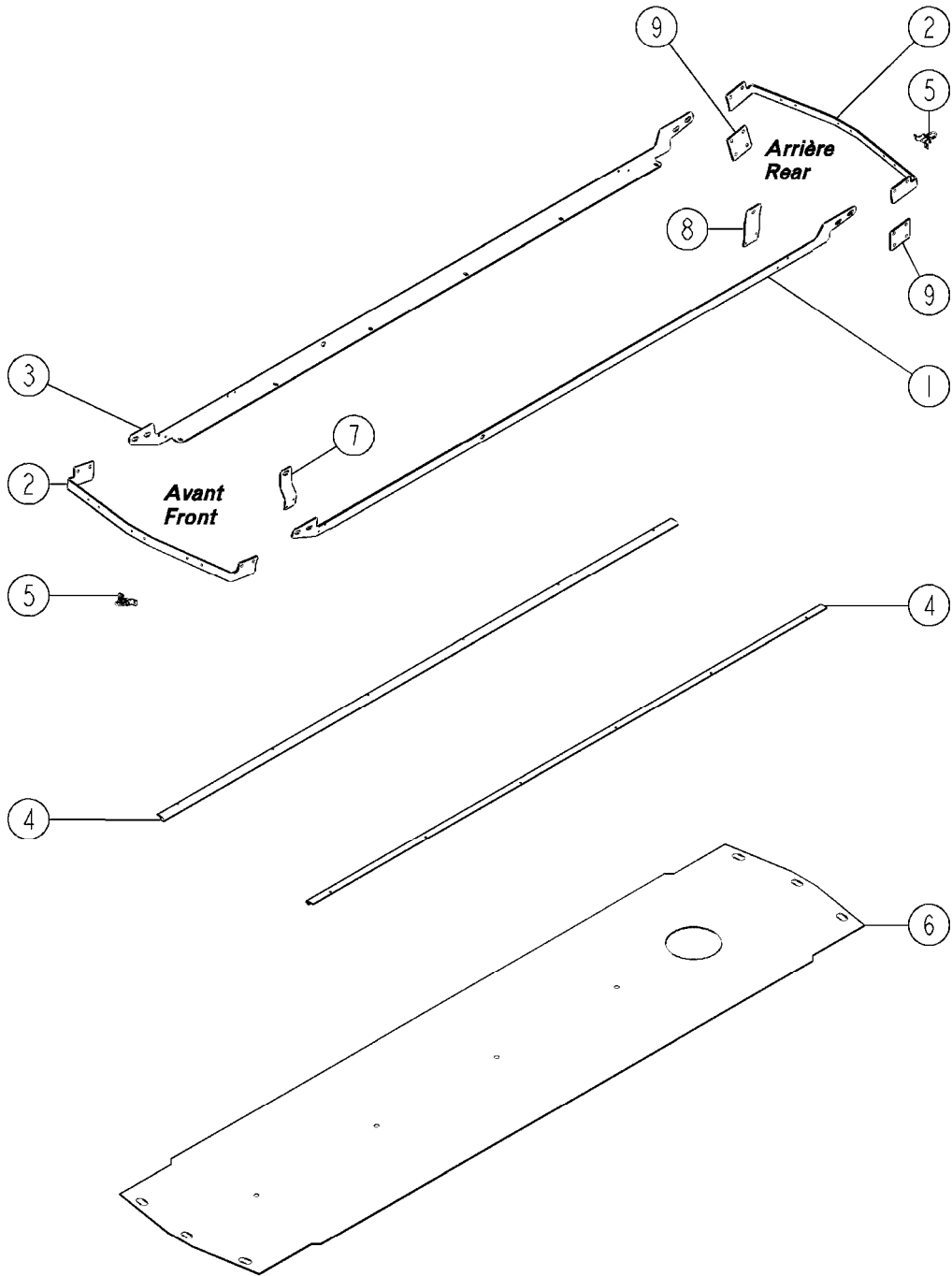


FEED PIPES HAZ 7-9 SECTION
D931-HIA, 25:11:03

Page 1

Date 07.02.2020 8:00

parts-n°	order qty	description
160330	1	PLATE 3,0X85X22 - 3Xz5
168308	1	BRACKET F. DOUBLE-CLAMP
334255	1	PIPE HOLDER SINGLE FOR 0 22
334256	1	PIPE HOLDER DOUBLE FOR D22
390297	1	PIPE HOLDER DOUBLE
410642	1	BOLT HEX 8.8 DEL M6X75
440086	1	SUBSTITUTE TO 440665
460261	1	NUT HEX M6X1.00 LOCK DIN985 A2 SS
614647	1	NOZZLE TUBE L=600mm NO HOLES
614648	1	NOZZLE TUBE L=1100mm NO HOLES
614649	1	NOZZLE TUBE L=1600mm NO HOLES
614650	1	NOZZLE TUBE L=2100mm NO HOLES
72250300	1	72250300
724608	1	PRES.HOSE 3/4'X3000 2X3/4'UN.N
725688	1	HOSE 3/4'X2300MM2X3/4'OML
726097	1	TSL.3/4"x390OML alt 725683
726741	1	TSL. 3/4'X 4800 2X3/4'OML
728025	1	OV.FL.HO. 3/4'X 1150 2 X 3/4
728337	1	HOSE 1/2" W/TEE(2X7")X3/4"BSP
728404	1	HOSE 3/4 X 800 2x3/4"OML
728558	1	PRESS. HOSE 1/2' X 430 2X
730940	1	PRESSU3/4'2X2400-200 2X3/4'OML
730941	1	PRESSUR1/2'X600-600 1X3/4'OML.
730942	1	TSL 1/2"X180-225 SPC.TRIPL. A
731086	1	PRES. 3/4'X 3550/2X3/4' NUT.
731191	1	731191
731391	1	PRESS.HOSE 1/2'X180-225 SPC. L
731460	1	PRESSURE HOSE 1/2' X 2600
731541	1	731541
731877	1	TSL.3/4"x1000 2xOML



A039A



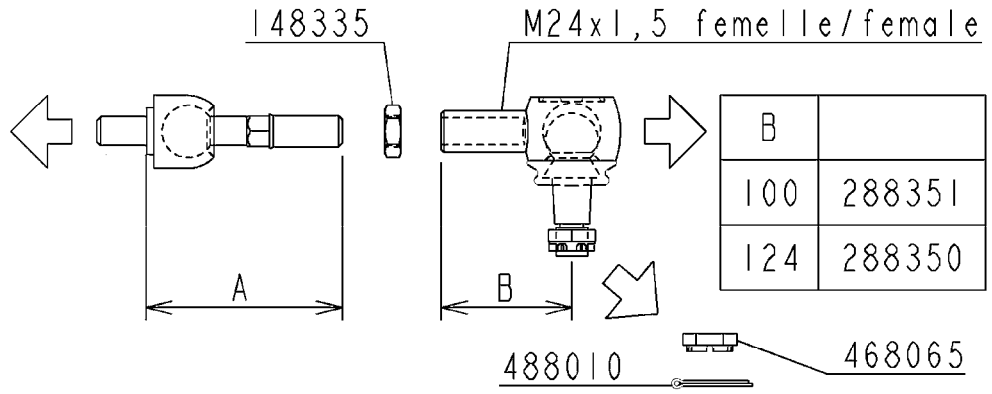
TARPAULIN ALPHA
A039A, 19:03:15

Page 1
Date 07.02.2020 8:00

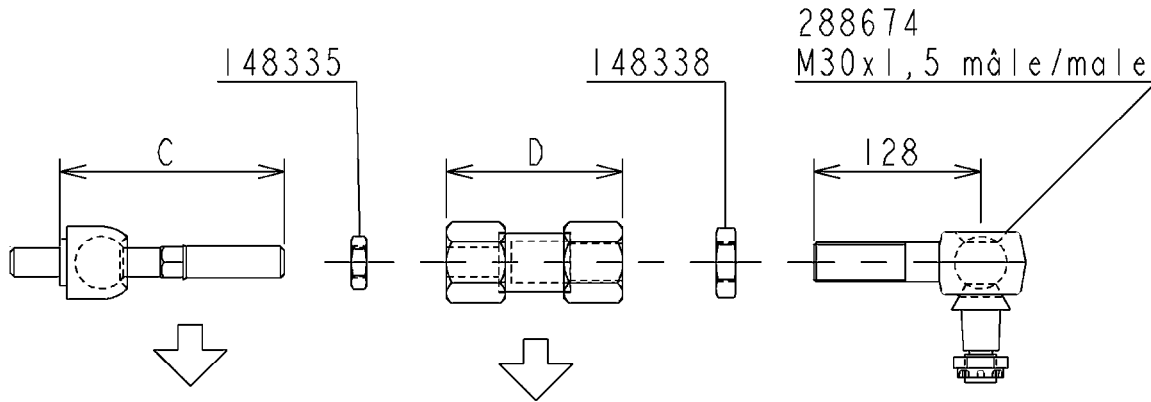
Pos.	parts-n°	order qty	description
1	16019801	1	LEFT TARPAULIN BRACKET, ALPHA 34-41 Alpha 3400-4100
1	16196301	1	LEFT TARPAULIN BRACKET, ALPHA Alpha plus ---> n°51287
1	16219601	1	LEFT TARPAULIN BRACKET, ALPHA Alpha plus n°51288 ---> n°52157
1	16299201	1	LEFT TARPAULIN BRACKET, ALPHA Alpha plus n°52158 --->
1	16761401	1	TARPAULIN BRACKET ALPHA 35-41 HTA
2	188386	1	TARPAULIN BRACKET, ALPHA
3	16019701	1	RIGHT TARPAULIN BRACKET, ALPHA 34-/41 Alpha 3400-4100
3	16196201	1	RIGHT TARPAULIN BRACKET, ALPHA Alpha plus ---> n°51287
3	16219501	1	RIGHT TARPAULIN BRACKET, ALPHA Alpha plus n°51288 ---> n°52157
3	16299301	1	RIGHT TARPAULIN BRACKET, ALPHA Alpha plus n°52158 --->
3	16761401	1	TARPAULIN BRACKET ALPHA 35-41 HTA
4	128012	1	TARPAULIN SLIDE L2140 ALP 35-41 HTA
4	12000501	1	TARPAULIN SLIDE L1975 ALP 35-41 HTA
5	288774	1	CLIP T.I.R 143272
6	398058	1	TARPAULIN ALPHA 3500-4100
6	39016701	1	TARPAULIN ALPHA3500-4100 HTA
7	16299501	1	PLATE FOR TARPAULIN BRACKET, ALPHA Alpha plus n°52158 --->
8	16299101	1	PLATE FOR TARPAULIN BRACKET, ALPHA Alpha plus n°52158 --->
9	16420601	1	PLATE FOR TARPAULIN BRACKET, ALPHA TUV



A	M22x150
150	288673
172	288879
A	M22x250
150	28012601
172	28012701

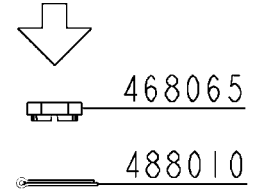


B	
100	288351
124	288350



C	M22x150
150	288673
172	288879
C	M22x250
150	28012601
172	28012701

D		D	
100	148109	440	618161
110	618164	510	618130
135	618119	560	618616
160	618133	610	618123
220	618157	660	618617
260	618120	740	618124
320	618159	800	618618
360	618160	860	618619
		940	61041901



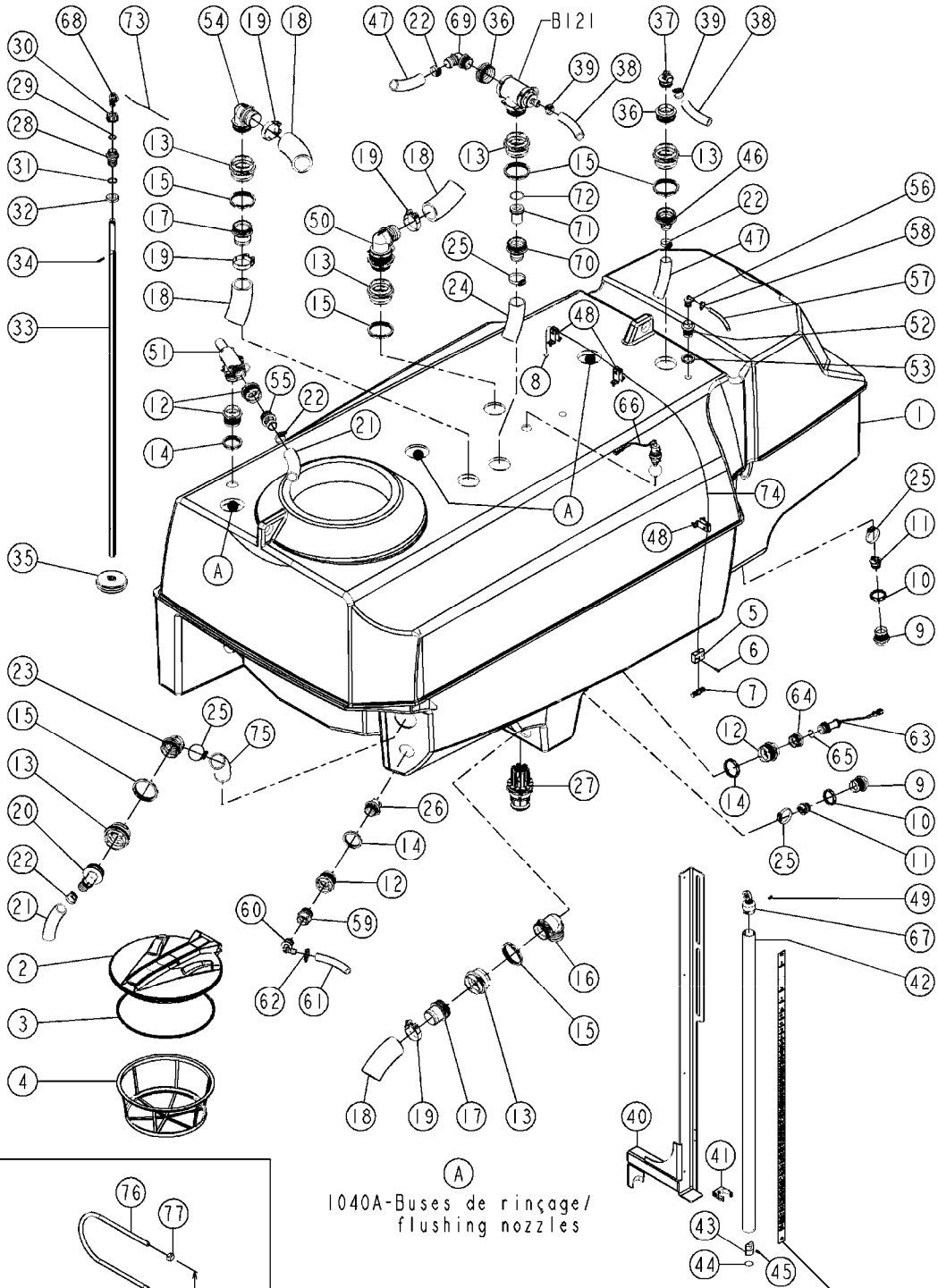
A061A



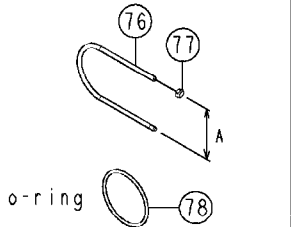
TIE RODS AND TIE ROD ENDS
ALPHA
A061A, 28:07:14

Page 1
Date 07.02.2020 8:00

parts-n°	order qty	description
148109	1	TIE ROD L=100MM V1.80M AH11
148335	1	NUT M24X1.5
148338	1	NUT HEX JAM M30X1.5 DAC LEFT THREAD
28012601	1	BALL JOINT M22X2.5 40X30 L=150
28012701	1	BALL JOINT M22X2.5 40X30 L=172
288350	1	BALL JOINT M24X1.5 L=124MM
288351	1	BALL JOINT M24X1.5 L=100MM
288673	1	BALL JOINT L=150 INNER ALPHA
288674	1	BALL JOINT M30X1.5 OUTER ALPHA
288879	1	BALL JOINT M22 x 179 ALPHA
468065	1	CASTLE NUT M24x1.5 E-1207
488010	1	COTTER PIN 5x50
61041901	1	TIE ROD L=940MM
618119	1	TIE ROD L=135MM
618120	1	TIE ROD L=260MM
618123	1	TIE ROD L=610MM
618124	1	TIE ROD L=740MM
618130	1	TIE ROD L=510MM
618133	1	TIE ROD L=160MM 1.8M TRACK
618157	1	TIE ROD L=220MM
618159	1	TIE ROD L=320MM
618160	1	TIE ROD L=360MM
618161	1	TIE ROD L=440MM
618164	1	TIE ROD L=110MM
618616	1	TIE ROD L=560MM
618617	1	TIE ROD L=660MM ALPHA
618618	1	TIE ROD L=800MM
618619	1	TIE ROD L=860MM ALPHA



A
1040A-Buses de rinçage/
flushing nozzles



L036A-alpha
L041A-easydrive
L046A-ecodrive

A081A



TANKS ALPHA HC6500/9500
A081A, 08:01:16

Pos.	parts-n°	order qty	description
1	73569801	1	TANK HC 3500/4100L YELLOW EVO Avec buses de rinçage/with flushing nozzles
1	758332	1	TANK CRADLE KIT/ECD PUMP VERSION A commander si cuve antérieure à n°53123/ to order if tank before n°53123
1	758333	1	TANK CRADLE KIT/463 PUMP VERSION A commander si cuve antérieure à n°53123/ to order tank before n°53123
2	28006301	1	TANK LID+BOLT+GASKET
3	248106	1	O-RING FOR TANK LID
4	28000901	1	FILTER, TOP MAIN TANK, D400 L275 300130
5	398053	1	SLING BRACKET F. DRAINING UNIT
6	440392	1	SCREW 6.3 X 25.0 DIN7981C TORX
7	334472	1	HANDLE FOR TOP DRAIN
8	14001500	1	GROMMET F.TOP DRAIN CORD
9	334260	1	GASKET F. S-53 BULKHEAD
9	726463	1	FITT.DK S53 BULKHEAD W/GASKET
10	322107	1	FITT.DK S-53 BULKHEAD NUT
11	726578	1	FITT.DK S53 PLUG WITH O-RING
12	334261	1	GASKET F. S-67 BULKHEAD
12	726464	1	FITT.DK S-67 BULKHEAD W/GASKET
13	334262	1	GASKET F.S-93 BULKHEAD
13	726465	1	FITT.DK S-93 BULKHEAD W/GASKET
14	322108	1	FITT.DK S-67 BULKHEAD NUT
15	322109	1	FITT.DK S-93 BULKHEAD NUT
16	726576	1	FITT. DK S-93 2-1/2" 90°
17	727133	1	FITT. S93 2-1/2" STR. S W/O-RI
18	92741000	1	HOSE Ø65 (5/2") PVC
19	28153700	1	HOSE CLAMP 73-78
20	334910	1	FITT.DK S-93 ELB 1-1/2"90 RUBB
21	92741200	1	PRESSURE HOSE 1-1/2" 20/60 BAR EPDM
22	288127	1	CLAMP 32/54/16 C8W4
23	72072700	1	FITT.DK S-93 45D 2" PVC
24	927713	1	HOSE PVC D50
25	288126	1	CLAMP 45-67/16 C8W4
26	334244	1	FITT.DK S-67 ELB.1-1/4"
26	242053	1	O-RING 3 X 44.2 90SH NITRIL
27	726490	1	FITT.DK BULKHEAD QUICK COU.S93
28	320456	1	FITT.DK BULKHEAD 1"BSP DOUBLE
29	242309	1	SEAL Ø22 ID Ø30 OD X 4 HIGH
30	320574	1	FITT.DK NUT 1" BSP SPECIAL
31	332577	1	O-RING D38/D30X4 F.1" PUR.
32	320471	1	FITT.DK NUT 1" BSP JAMB
33	150403	1	GUIDE TUBE F.FLOAT TR3500 3500
33	150472	1	GUIDE TUBE F.FLOAT 4100 4100
34	480717	1	PIN E 5X40 SST
35	334515	1	FLOATER FOR LIQUID LEVEL
36	728562	1	FITT.DK S-93 TO S67 ADAPTOR
37	334243	1	FITT.DK S-67 ELB.1"
38	927124	1	HOSE R X 60 BAR X 1 X 0012"
38	92739000	1	HOSE-SPIRAL SUCT-38MM 1-1/2"'08
39	288125	1	CLAMP 25-40/12 C7W4 Pour tuyau/for hose 927709
39	288127	1	CLAMP 32/54/16 C8W4 Pour tuyau/for hose 927146
40	618640	1	GAUGE BRACKET, ALPHA
41	334523	1	PIPE HOLDER Ø51.5
42	341256	1	SIGHT TUBE 2.2M 3500 litres-à recouper/to cut L1620 4100 litres-à



TANKS ALPHA HC6500/9500
A081A, 08:01:16

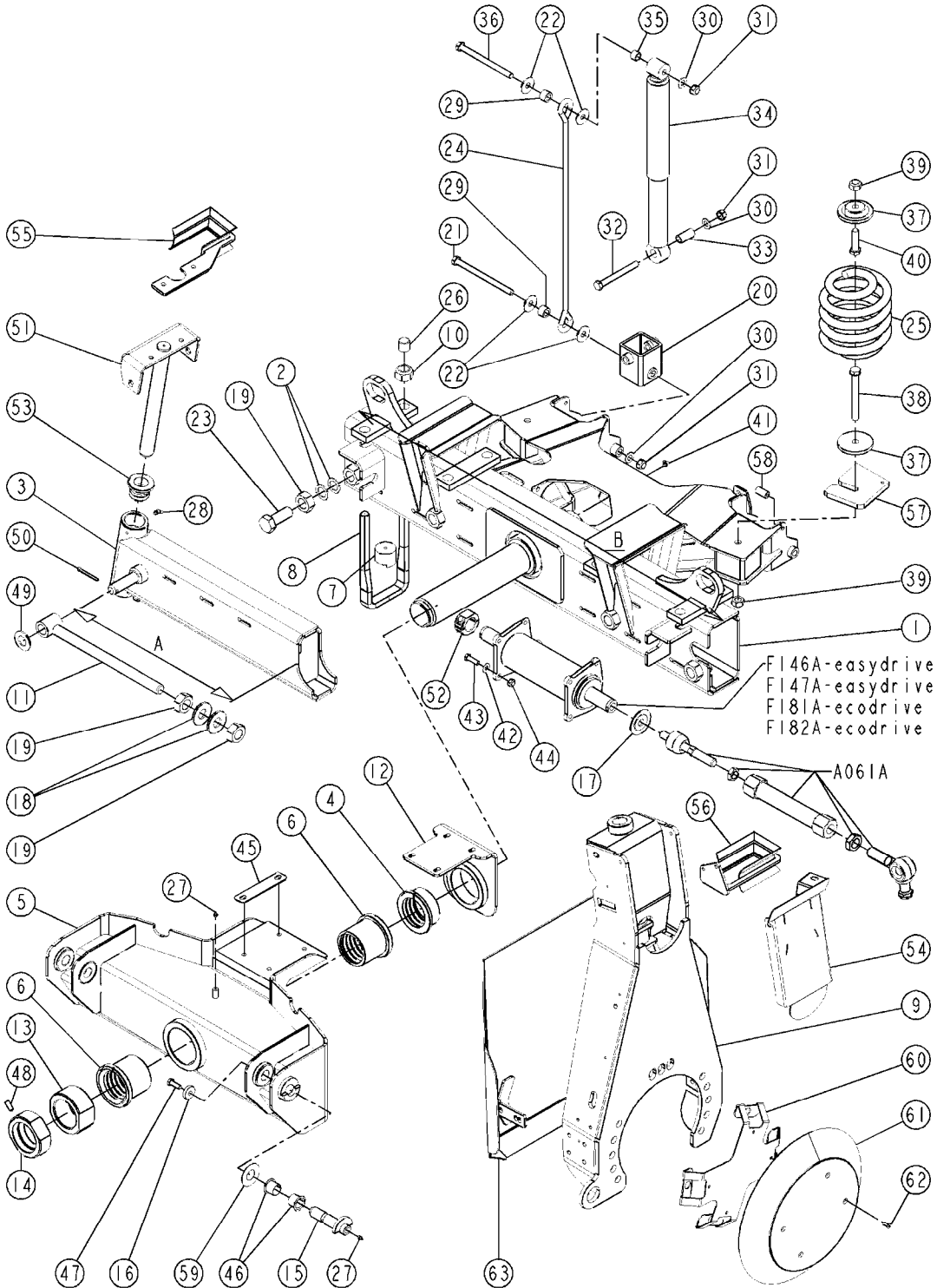
Page

2

Date

07.02.2020 8:00

Pos.	parts-n°	order qty	description
43	334513	1	MARKER HALF SIGHT GAUGE
44	242262	1	O-RING D31X3 VITON
45	440677	1	SCREW F. PLASTIC 5X20 SS
46	728523	1	FITT.DK S-93 STR.1-1/2" W.O-RING
47	92739000	1	HOSE-SPIRAL SUCT-38MM 1-1/2" '08
48	73051501	1	DRAINING VALVE PULLEY ASSY.
49	458073	1	BOLT M6X16 DIN933 COACH HEAD
50	72374800	1	TANK VENT S93 2-1/2" NAV/NCM
51	72280300	1	SAFTY VALVE S67 15 BAR CM'05
52	334259	1	GASKET F. S-40 BULKHEAD
52	726462	1	FITT. S40 BULKHEAD W.GASKET
53	322106	1	FITT.DK S-40 BULKHEAD NUT
54	727226	1	FITT. S93 2-1/2" 90° S W/O-RING
55	334233	1	FITT.DK S-67 STR.1-1/2" RUBBER
55	242053	1	O-RING 3 X 44.2 90SH NITRIL
56	726566	1	HOSE TAIL S40 3/8" STRAIGHT + O-RING
57	927017	1	HOSE R X 60 BAR X 3/8 X 0012"
58	334533	1	CLAMP HOSE PLASTIC 3/8"
59	334564	1	FITT.DK S-67 TO S-53 ADAPTER
59	242053	1	O-RING 3 X 44.2 90SH NITRIL
60	726570	1	FITT.DK S-53 ELB.3/4" W.ORING
60	334243	1	FITT.DK S-67 ELB.1"
61	927032	1	HOSE R X 60 BAR X 3/4 X 0012"
61	927124	1	HOSE R X 60 BAR X 1 X 0012"
62	288125	1	CLAMP 25-40/12 C7W4
62	334531	1	Pour tuyau/for hose 927124 CLAMP HOSE PLASTIC 3/4" Pour tuyau/for hose 927032
63	26014100	1	TANK SENSOR-ELECTRONIC
64	322132	1	FITTING S67- BSP1" F
64	242053	1	O-RING 3 X 44.2 90SH NITRIL
65	241441	1	O-RING D29.3X3
66	72411300	1	TANK FLOAT SWITCH S53
67	72776400	1	PULLEY SIGHT GAUGE COMPLETE
68	72776300	1	PULLEY FLOAT COMPLETE
69	334245	1	FITT.DK S-67 ELB. 1-1/2"RUBBER
70	727227	1	FITT.DK S-93 STR.2" W/ORING
71	39144000	1	VENTURI TUBE CM11
72	242296	1	O-RING D51X3.5
73	28034100	1	CABLE F.LIQUID LEVEL IND. SS L=5M
74	981583	1	POLYESTERLINE D 3 BLACK
75	73361001	1	HOSE AGITATION ALPHA PLUS
76	145994	1	FITT.DK S-40 FORK A=17mm
76	145995	1	FITT.DK S-53 FORK A=29mm
76	145996	1	FITT.DK S-67 FORK A=42mm
76	145997	1	FITT.DK S-93 FORK A=68mm
76	147774	1	FITT.DK S-93 FORK W. M5 THREAD A=68mm
77	468035	1	NUT HEX M5 A2 LOCK DIN 985
78	24011701	1	O-RING R3.42x63.09 FKM70 S93
78	242053	1	O-RING 3 X 44.2 90SH NITRIL
78	242354	1	O-RING D32.2X3.0 VITON S53
78	242355	1	O-RING D19.2X3.0 VITON F.S-40 S40



A106A



FRONT AXLE, MTA, SPRING SUSP,
ALPHA EVO
A106A, 16:02:17

Page

1

Date

07.02.2020

8:00

Pos.	parts-n°	order qty	description
1	638330	1	FRONT AXLE TYPE S L1030 B=1030 mm
1	638799	1	FRONT AXLE TYPE M L1200 B=1200 mm
1	638384	1	FRONT AXLE TYPE L L1450 B=1450 mm
1	638843	1	FRONT AXLE TYPE XL L1860 B=1860 mm
1	63089901	1	FRONT AXLE TYPE AV XXL ALPHA B=2360 mm
2	478078	1	PAIR OF WASHERS NL30 31.4X47X5.8
3	638328	1	1/2 AXLE FR/RL MTA-S Ø40 ALPEVO A=404 mm
3	638585	1	1/2 AXLE FL/RR MTA-S Ø40 ALPEVO A=404 mm
3	638798	1	1/2 AXLE FR-RL MTA-M Ø40 ALPEVO A=494 mm
3	638797	1	1/2 AXLE FL/RR MTA-M Ø40 ALPEVO A=494 mm
3	638303	1	1/2 AXLE FR/RL MTA-L Ø40 ALPEVO A=619 mm
3	638385	1	1/2 AXLE FL/RR MTA-L Ø40 ALPEVO A=619 mm
3	638842	1	1/2 AXLE FR/RL MTA-XL Ø40 ALPEVO A=834 mm
3	638841	1	1/2 AXLE FL/RR MTA-XL Ø40 ALPEVO A=834 mm
3	63075501	1	1/2 AXLE FR/RL MTA-XXL Ø40 ALPEVO A=974 mm
3	63075401	1	1/2 AXLE FL/RR MTA-XXL Ø40 ALPEVO A=974 mm
4	218026	1	BUSH Ø100 L60 SPREADER ALPHA
5	638329	1	AXLE FRONT AXLE ALPHA
6	218027	1	BUSH Ø100 L100
7	156453	1	AXLE SHIM Ø59 L45
8	288306	1	BOLT U FOR AXLE LONG
9	63037001	1	DROPLEG MS18, FR, GC1.20, Ø40, MTA, SPRING SUSP
9	63037101	1	DROPLEG MS18, FL, GC1.20, Ø40, MTA, SPRING SUSP
9	63041801	1	DROPLEG MS18, FR/RL, GC1.65, Ø40, MTA, SPRING SUSP
9	63041901	1	DROPLEG MS18, FL/RR, GC1.65, Ø40, MTA, SPRING SUSP
9	63047001	1	DROPLEG MS18, FR, GC1.06, Ø40, MTA, SPRING SUSP
9	63047101	1	DROPLEG MS18, FL, GC1.06, Ø40, MTA, SPRING SUSP
9	63054301	1	DROPLEG MS18, FR/RL, GC1.50, Ø40, SPRING SUSP
9	63054401	1	DROPLEG MS18, FL/RR, GC1.50, Ø40, SPRING SUSP
10	468038	1	LOCK NUT M27 A2 DIN985 L=280mm
11	618432	1	TIE ROD, 1/2 AXLE S, SPACING 305
11	618575	1	TIE ROD, 1/2 AXLE M, SPACING 375 L=350mm
11	618290	1	TIE ROD, 1/2 AXLE L, SPACING 445 L=420mm
11	61042001	1	TIE ROD, 1/2 AXLE XXL, SPACING 740 L=715mm
12	638344	1	BRACKET FOR AXLE FOR ALPHA
13	156452	1	NUT M90X3
14	156451	1	LOCK NUT M90X3
15	61001701	1	PIN Ø30 L117
16	148014	1	WASHER Ø40X14 L10
17	148009	1	ADJUSTMENT DISC, 4-WHEEL DRIVE, ALPHA
18	16424501	1	WASHER Ø31X70 L6
19	468044	1	NUT M30 DIN934 8.8 DACROM



FRONT AXLE, MTA, SPRING SUSP,
ALPHA EVO
A106A, 16:02:17

Page

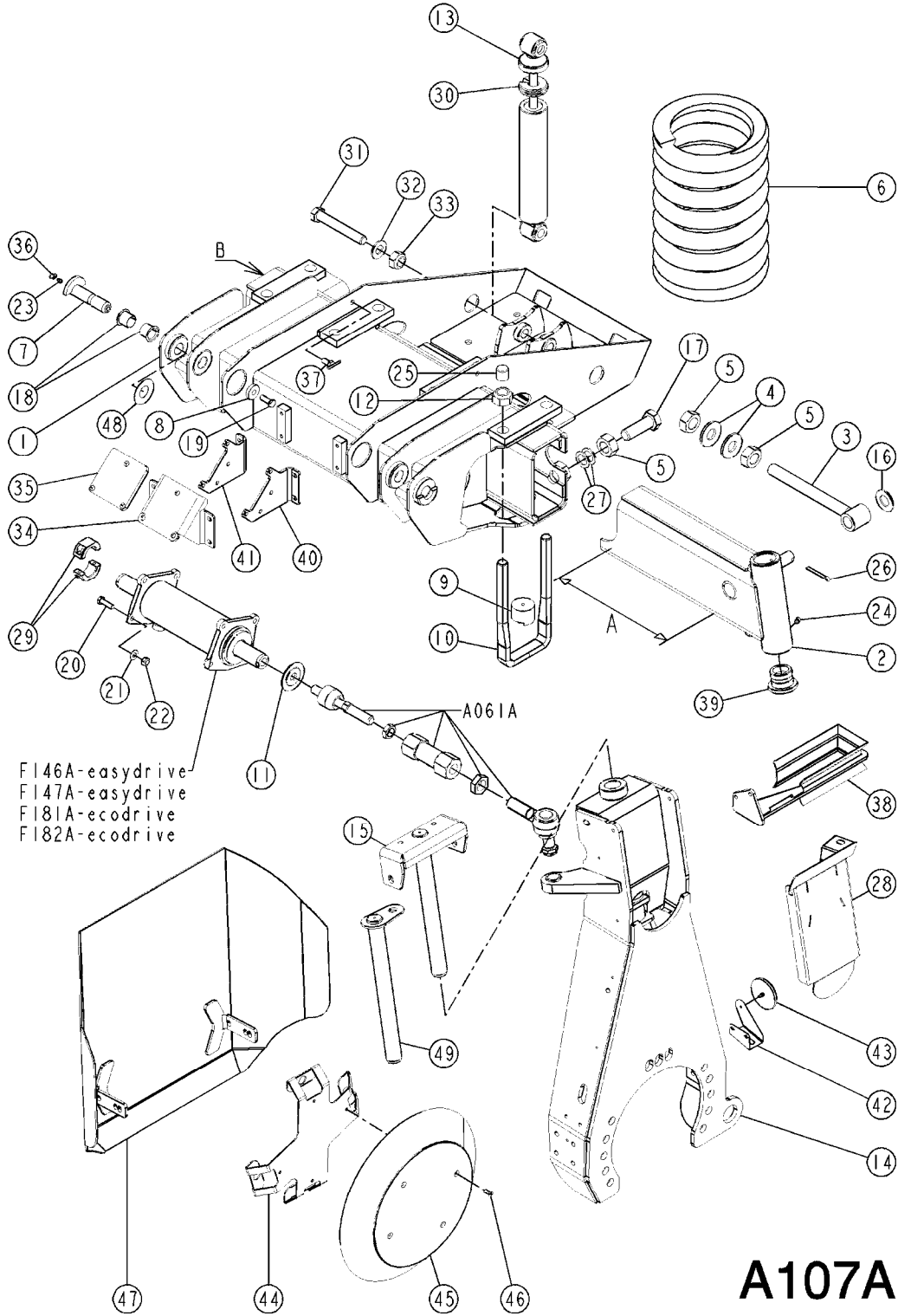
2

Date

07.02.2020

8:00

Pos.	parts-n°	order qty	description
20	638368	1	BRACKET AH11
21	438013	1	SCREW HM 16-220/55 CL 10.9
22	478047	1	WASHER LL16N 17X50X3 A2
23	438072	1	BOLT HEX M30-90/90 8.8 DIN933 D
24	288320	1	SLING Ø14 L780 SS
25	228013	1	SPRING Ø24 •Øm180 L320 N5,56
25	22002001	1	SPRING Ø24 ØM180 L345 N5.56
26	28048101	1	PLUG EP810/SW41-M27-1-G76
27	288538	1	GREASE NIPPLE M8X1.25
28	288241	1	GREASE NIPPLE M8X1.25 45°
29	156545	1	SPACER Ø30X16.5 L22
30	478039	1	WASHER M16U 16.5X32XX3 SS
31	460585	1	LOCKING NUT M16 DIN985 A2 SS
32	438052	1	BOLT HEX 8.8 DEL M16X150
33	156465	1	DAMPER SPACER D25X16.5 L=53
34	288303	1	SHOCK ABSORBER 88.5116 (1 PCS)
35	148123	1	BUSH Ø16.5X25 L20
36	438028	1	BOLT HEX M16X200/55 CL10.9
37	148115	1	SPRING RETAINER ALPHA
38	438018	1	BOLT HEX M18x1.5-160/50 CL10.9D
39	468016	1	NUT M18X1.5 CL10
40	438011	1	BOLT HEX M18X1.5-70 CL 10.9 0416
41	288589	1	GREASE NIPPLE M8X1.25 90°
42	478037	1	WASHER M12U D12.5/D27X2.5 SS A2
43	438019	1	BOLT HEX M12X40 FT DAC 10.9
44	460703	1	NUT HEX M12X1.75 LOCK DIN985A2 SS
45	16046801	1	FRONT AXLE SHIM ALPHA
46	218014	1	AXLE PIVOT BUSHING 30X34/45
47	438037	1	BOLT 12 X 35 8.8 BLACK
48	458069	1	SCREW HC M12-30 CONIQ 45H DIN9
49	478055	1	WASHER M30U 31X60X4 A2
50	488017	1	SPLIT V 8X63 A2 DIN94
51	618287	1	WHEEL PIVOT PIN Ø40 L407
52	156707	1	STEERING STOP Ø70x40 L30 M8
52	156708	1	STEERING STOP Ø70X40 L20 M8
53	12000101	1	BUSHING Ø40X56X75 L50
53	128017	1	A partir du/from n°55579 BUSHING Ø40X56X70 L50 Jusqu'au/until n°55578
54	618465	1	PROTECTION PLATE PIPE S18 RIGHT ALP Garde au sol/ground clearance 1,65m
54	618466	1	PROTECTION PLATE PIPE S18 LEFT ALP Garde au sol/ground clearance 1,65m
55	63086401	1	HYD HOSE GUIDE UPPER MOTOR ALPHA
56	63093801	1	HYD HOSE GUIDE FRONT LEFT ALPHA Garde au sol/ground clearance 1,06-1,20M
56	63094401	1	HYD HOSE GUIDE FRONT RIGHT ALPHA Garde au sol/ground clearance 1,06-1,20M
57	16672701	1	SHIM SPRING EP.15MM ALPHA
57	16728401	1	SPRING SHIM EP.10MM ALPHA
58	14010201	1	SLING STOP ALPHA
59	16648501	1	AXLE SHIM Ø70X32 EP1.5 ALPEVO
60	61029201	1	WHEEL NUTS SUPPORT
61	63056801	1	WHEEL NUTS CASING
62	458033	1	SCREW COUNTER SUNK M8-20 DIN7991 SS
63	63044601	1	MS18/35 DROPLEG COVER, GC1.65, ALPEVO Garde au sol/ground clearance 1,65m



F146A-easydrive
F147A-easydrive
F181A-ecodrive
F182A-ecodrive

A107A



REAR AXLE, MTA, SPRING SUSP,
ALPHA EVO
A107A, 23:03:15

Page 1
Date 07.02.2020 8:00

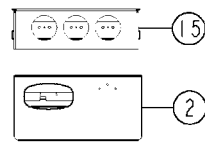
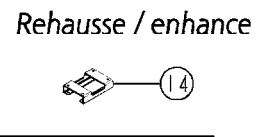
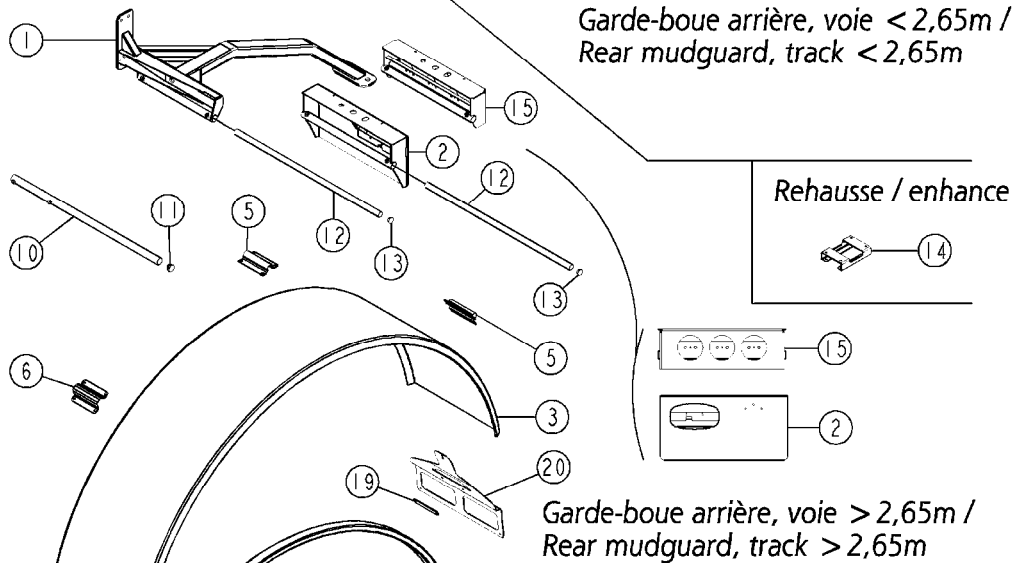
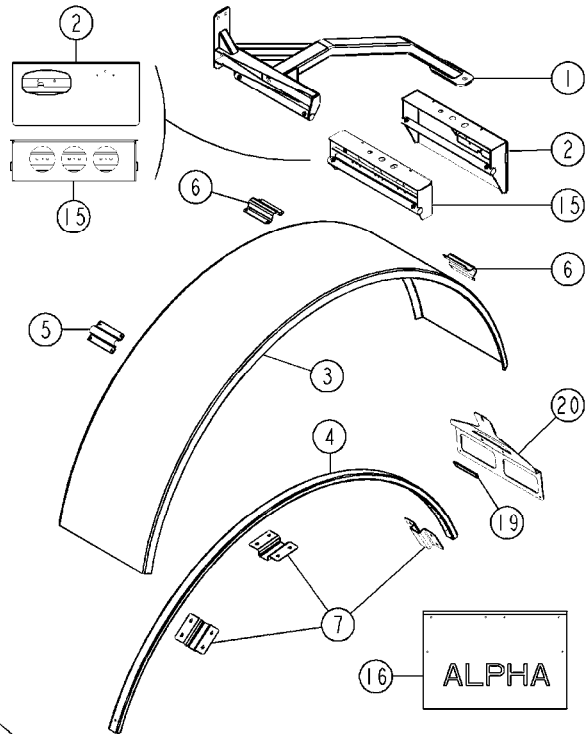
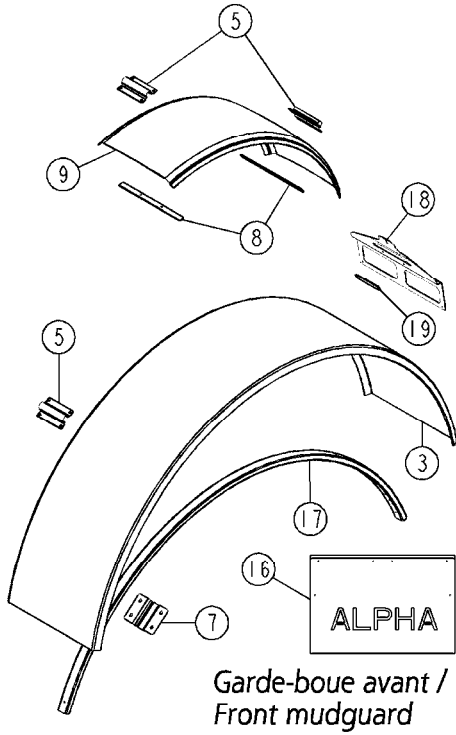
Pos.	parts-n°	order qty	description
1	63033701	1	REAR AXLE S ALPHA EVO B=1030mm
1	63037401	1	REAR AXLE M ALPHA EVO B=1200mm
1	63037501	1	REAR AXLE L ALPHA EVO B=1450mm
1	63037601	1	REAR AXLE XL ALPHA EVO B=1860mm
1	63089801	1	REAR AXLE XXL ALHA EVO B=2360 mm
2	638328	1	1/2 AXLE FR/RL MTA-S Ø40 ALPEVO A=404 mm
2	638585	1	1/2 AXLE FL/RR MTA-S Ø40 ALPEVO A=404 mm
2	638797	1	1/2 AXLE FL/RR MTA-M Ø40 ALPEVO A=494mm
2	638798	1	1/2 AXLE FR-RL MTA-M Ø40 ALPEVO A=494 mm
2	638303	1	1/2 AXLE FR/RL MTA-L Ø40 ALPEVO A=619 mm
2	638385	1	1/2 AXLE FL/RR MTA-L Ø40 ALPEVO A=619 mm
2	638842	1	1/2 AXLE FR/RL MTA-XL Ø40 ALPEVO A=834 mm
2	638841	1	1/2 AXLE FL/RR MTA-XL Ø40 ALPEVO A=834 mm
2	63075501	1	1/2 AXLE FR/RL MTA-XXL Ø40 ALPEVO A=974 mm
2	63075401	1	1/2 AXLE FL/RR MTA-XXL Ø40 ALPEVO A=974 mm
3	618432	1	TIE ROD, 1/2 AXLE S, SPACING 305 L=280mm
3	618575	1	TIE ROD, 1/2 AXLE M, SPACING 375 L=350mm
3	618290	1	TIE ROD, 1/2 AXLE L, SPACING 445 L=420mm
3	61042001	1	TIE ROD, 1/2 AXLE XXL, SPACING 740 L=715mm
4	16424501	1	WASHER Ø31X70 L6
5	468044	1	NUT M30 DIN934 8.8 DACROM
6	228004	1	SPRING Ø37 REAR SUSPENSION Rampes/booms TR5-HAZ
6	228033	1	SPRING Ø36 REAR SUSPENSION Rampes/booms TR4-TR4R
7	61001701	1	PIN Ø30 L117
8	148014	1	WASHER Ø40X14 L10
9	156453	1	AXLE SHIM Ø59 L45
10	288306	1	BOLT U FOR AXLE LONG
11	148009	1	ADJUSTMENT DISC, 4-WHEEL DRIVE, ALPHA
12	468038	1	LOCK NUT M27 A2 DIN985
13	288795	1	SHOCK ABSORBER C265 EAF429 912264
14	63037201	1	DROPLEG MS18, FL/RR, GC1.20, Ø40, MTA
14	63037301	1	DROPLEG MS18, FR/RL, GC1.20, Ø40, MTA
14	63041801	1	DROPLEG MS18, FR/RL, GC1.65, Ø40, MTA, SPRING SUSP
14	63041901	1	DROPLEG MS18, FL/RR, GC1.65, Ø40, MTA, SPRING SUSP
14	63047201	1	DROPLEG MS18, RR, GC1.06, Ø40, MTA, SPRING SUSP
14	63047301	1	DROPLEG MS18, RL, GC1.06, Ø40, MTA, SPRING SUSP
14	63054301	1	DROPLEG MS18, FR/RL, GC1.50, Ø40, SPRING SUSP
14	63054401	1	DROPLEG MS18, FL/RR, GC1.50, Ø40, SPRING SUSP
14	63069201	1	DROPLEG MS35, RR, GC1.20, Ø40, MTA, SPRING SUSP
14	63069301	1	DROPLEG MS35, RL, GC1.20, Ø40, MTA, SPRING SUSP



REAR AXLE, MTA, SPRING SUSP,
ALPHA EVO
A107A, 23:03:15

Page 2
Date 07.02.2020 8:00

Pos.	parts-n°	order qty	description
14	63079201	1	DROPLEG MS35, RL, GC1.65, Ø40, SPRING SUSP
14	63079301	1	DROPLEG MS35, RR, GC1.65, Ø40, SPRING SUSP
14	63079401	1	DROPLEG MS35, RL, GC1.50, Ø40, SPRING SUSP
14	63079501	1	DROPLEG MS35, RR, GC1.50, Ø40, SPRING SUSP
15	618287	1	WHEEL PIVOT PIN Ø40 L407
16	478055	1	WASHER M30U 31X60X4 A2
17	438072	1	BOLT HEX M30-90/90 8.8 DIN933 D
18	218014	1	AXLE PIVOT BUSHING 30X34/45
19	438037	1	BOLT 12 X 35 8.8 BLACK
20	438019	1	BOLT HEX M12X40 FT DAC 10.9
21	478037	1	WASHER M12U D12.5/D27X2.5 SS A2
22	460703	1	NUT HEX M12X1.75 LOCK DIN985A2 SS
23	288538	1	GREASE NIPPLE M8X1.25
24	288241	1	GREASE NIPPLE M8X1.25 45°
25	28048101	1	PLUG EP810/SW41-M27-1-G76
26	488017	1	SPLIT V 8X63 A2 DIN94
27	478078	1	PAIR OF WASHERS NL30 31.4X47X5.8
28	618465	1	PROTECTION PLATE PIPE S18 RIGHT ALP Garde au sol/ground clearance 1,65m
28	618466	1	PROTECTION PLATE PIPE S18 LEFT ALP Garde au sol/ground clearance 1,65m
29	156707	1	STEERING STOP Ø70x40 L30 M8
30	248337	1	STOP Ø20X74.5 L21 9934000071
31	43000601	1	BOLT HEX M24-160/60 8.8 DIN931 DAC
32	478041	1	WASHER D25/D50X4 SS A2
33	460747	1	NUT HEX M24 LOCK
34	16476001	1	BRACKET HYD. BLOCK REAR ALPHA EVO Easydrive
34	16587801	1	BRACKET HYD. BLOCK REAR T3B Ecodrive
35	16386701	1	PLATE HYD. BLOCK REAR Easydrive
35	16589101	1	PLATE HYD. BLOCK REAR T3B Ecodrive
36	288549	1	GREASE NIPPLE CAP GPN 985/0201
37	61016601	1	RING FIXING HYD HOSE ALP+
38	63099401	1	HYD HOSE GUIDE REAR LEFT ALPHA V2 Garde au sol/ground clearance 1,06-1,20M
38	63099501	1	HYD HOSE GUIDE REAR RIGHT ALPHA V2 Garde au sol/ground clearance 1,06-1,20M
39	12000101	1	BUSHING Ø40X56X75 L50 A partir du/from n°55579
39	128017	1	BUSHING Ø40X56X70 L50 Jusqu'au/until n°55578
40	16476201	1	HYD.BKT.MT.LEFT SAPE EVO Easydrive
40	16639101	1	HYD.BKT.MT.LEFT SAPE T3B EVO Ecodrive
41	16476101	1	HYD.BKT.MT.RIGHT SAPE EVO Easydrive
41	16639001	1	HYD.BKT.MT.RIGHT SAPE T3B EVO Ecodrive
42	16607801	1	REFLECTOR BKT. RR ALPHA
43	268376	1	REFLECTOR 8RA 002 016-111
44	61029201	1	WHEEL NUTS SUPPORT
45	63056801	1	WHEEL NUTS CASING
46	458033	1	SCREW COUNTER SUNK M8-20 DIN7991 SS
47	63044601	1	MS18/35 DROPLEG COVER, GC1.65, ALPEVO Garde au sol/ground clearance 1,65m
48	16648501	1	AXLE SHIM Ø70X32 EP1.5 ALPEVO
49	61048401	1	WHEEL PIVOT PIN, Ø40 L402, ALPEVO



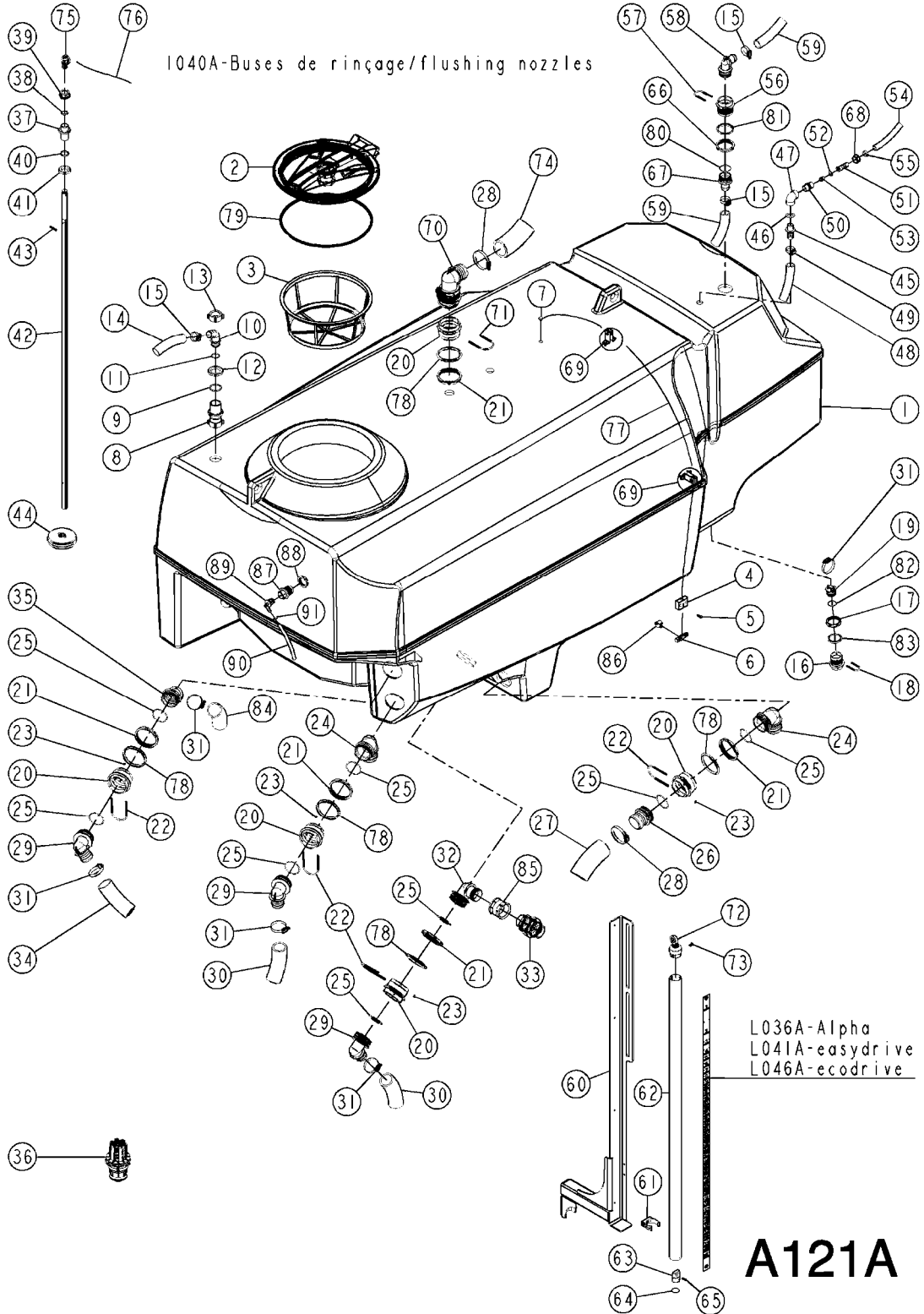
A108A



MUDGUARD ALPHA EVO
A108A, 16:07:15

Page 1
Date 07.02.2020 8:00

Pos.	parts-n°	order qty	description
1	63041401	1	RR MUDGUARD BRACKET, ALPHA
1	63041501	1	RL MUDGUARD BRACKET, ALPHA
2	63043001	1	RL MUDGUARD BRACKET, ALPHA EVO
2	63043101	1	RR MUDGUARD BRACKET, ALPHA EVO
3	24011201	1	MUDGUARD 180° L550
4	156723	1	REAR MUDGUARD BOW, ALPHA
5	167427	1	MUDGUARD COLLAR, ALPHA
6	16273201	1	MUDGUARD COLLAR, ALPHA
7	16106501	1	BRACKET F. MUDGUARD RING
8	188425	1	MUDGUARD FLANGE, ALPHA
9	288359	1	MUDGUARDS 90°
10	61002201	1	MUDGUARD TUBE, ALPHA
11	288744	1	PLASTIC PLUG EP620GL34X1.0-3.0
12	15039401	1	SLIDING MUDGUARD TUBE, ALPHA
13	288666	1	CLEAR PLASTIC PLUG, GPN 300 F21
14	16389201	1	MUDGUARD SHIM, ALPHA
15	63078101	1	REAR LIGHTS BRACKET, ALPHA
16	24019801	1	SET OF 2 MUDFLAPS ALPHA WITH ATTACHMENTS
17	156722	1	FRONT MUDGUARD BOW, ALPHA
18	16755801	1	FRONT FLAP BRACKET ALPHA EVO
19	188228	1	MUDFLAP FLANGE, ALPHA
20	16755701	1	REAR MUFLAP BRACKET, ALPHA EVO

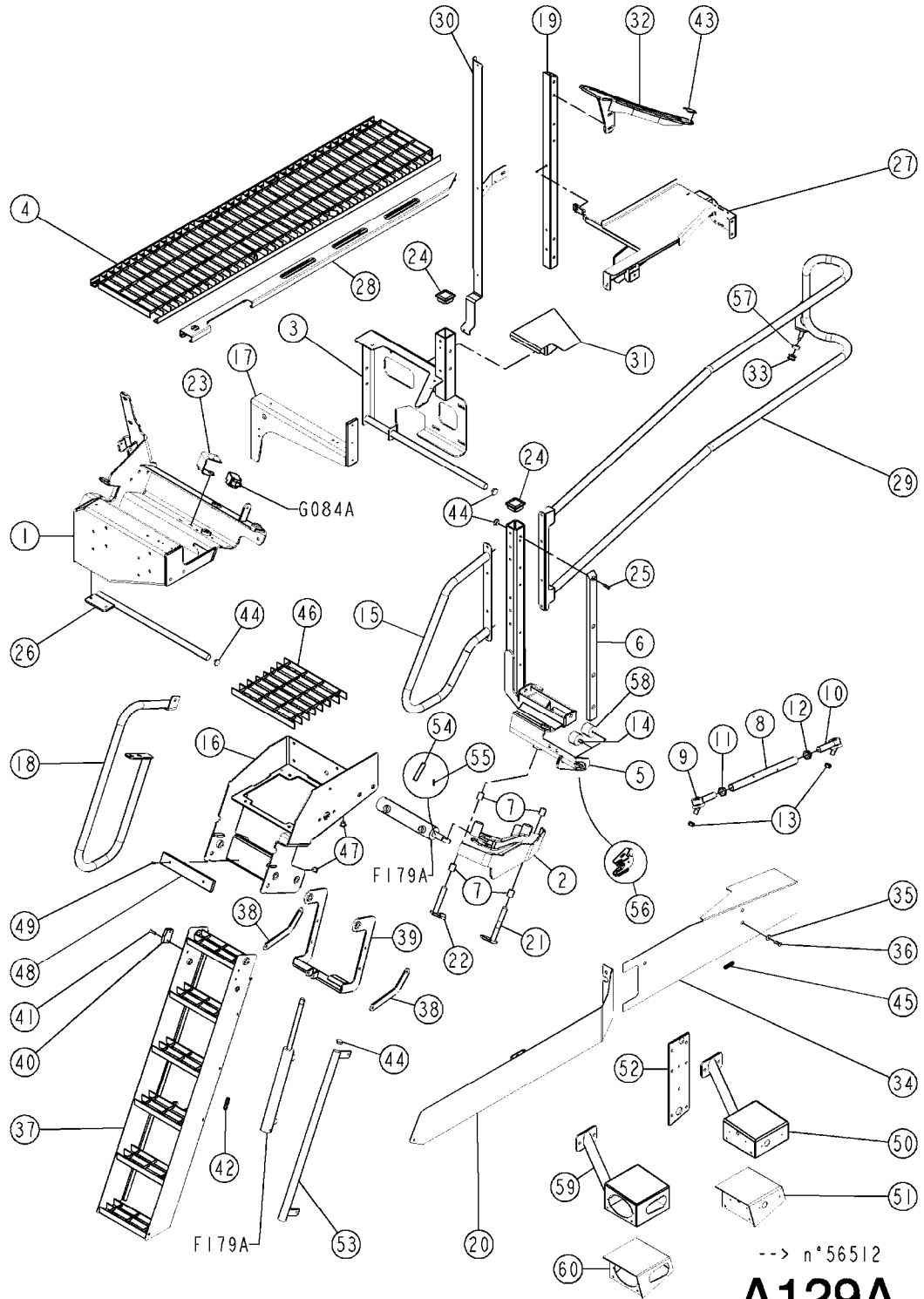




Pos.	parts-n°	order qty	description
1	#	1	# Préciser n° de machine/specify serial number
2	28006301	1	TANK LID+BOLT+GASKET
3	28000901	1	FILTER, TOP MAIN TANK, D400 L275 300130
4	398053	1	SLING BRACKET F. DRAINING UNIT
5	440392	1	SCREW 6.3 X 25.0 DIN7981C TORX
6	334472	1	HANDLE FOR TOP DRAIN
7	14001500	1	GROMMET F.TOP DRAIN CORD
8	722971	1	SAFETY VALVE SCF 217PSI(15BAR)
9	330072	1	O-RING D53.5/D45.5X4
10	72173000	1	FITT.DK HB 1-1/4" 110 F.1-1/2" MOUNT
11	241441	1	O-RING D29.3X3
12	320795	1	FITT.DK NUT 1-1/2" BSP JAMB
13	320821	1	FITT.DK NUT 1-1/2" BSP
14	927719	1	HOSE Ø32 ABRA 10
15	288127	1	CLAMP 32/54/16 C8W4
16	726463	1	FITT.DK S53 BULKHEAD W/GASKET
17	322107	1	FITT.DK S-53 BULKHEAD NUT
18	145995	1	FITT.DK S-53 FORK
19	726578	1	FITT.DK S53 PLUG WITH O-RING
20	726465	1	FITT.DK S-93 BULKHEAD W/GASKET
21	322109	1	FITT.DK S-93 BULKHEAD NUT
22	147774	1	FITT.DK S-93 FORK W. M5 THREAD
23	468035	1	NUT HEX M5 A2 LOCK DIN 985
24	726576	1	FITT. DK S-93 2-1/2" 90°
25	24011701	1	O-RING R3.42x63.09 FKM70
26	726564	1	HOSE TAIL 2-1/2" W.O-RING
27	927725	1	HOSE VACUPRESS SE Ø63 12 BAR
28	288192	1	COLLAR 70/92/16 C8W4
29	726575	1	FITT.DK S-93 ELB. 2" RUBBER
30	927723	1	HOSE VACUPRESS SE Ø50 12 BAR
31	288126	1	CLAMP 45-67/16 C8W4
32	323236	1	FITT.DK S-93 ELB.2"BSP 90D
33	28034601	1	CHECK VALVE BSP2"M-BSP2"M
34	927713	1	HOSE PVC D50
35	72072700	1	FITT.DK S-93 45D 2" PVC
36	727902	1	BOTTOM VALVE S93 2"RG-2M
37	320456	1	FITT.DK BULKHEAD 1"BSP DOUBLE
38	242309	1	SEAL Ø22 ID Ø30 OD X 4 HIGH
39	320574	1	FITT.DK NUT 1" BSP SPECIAL
40	332577	1	O-RING D38/D30X4 F.1" PUR.
41	320471	1	FITT.DK NUT 1" BSP JAMB
42	150403	1	GUIDE TUBE F.FLOAT TR3500 3500
42	150472	1	GUIDE TUBE F.FLOAT 4100 4100
43	480717	1	PIN E 5X40 SST
44	334515	1	FLOATER FOR LIQUID LEVEL
45	288808	1	HOSE TAIL BSP3/4" FOR HOSE Ø25
46	248323	1	RUBBER SEAL 26X40X2 G40003
47	288805	1	ANGLE 90 GFV 3/4"
48	927124	1	HOSE R X 60 BAR X 1 X 0012"
49	288125	1	CLAMP 25-40/12 C7W4
50	288807	1	UNION NFV 3/4"
51	398054	1	HOSE FITTING D16 G1/4''F
52	248322	1	O-RING 16X24X1.5 NITRIL
53	37800001	1	SEMI-CONTINUOUS SS NOZZLE
54	927712	1	HOSE Ø16X24 PVC GREY BLUE 20 BAR
55	288224	1	HOSE CLAMP 3/4"
56	726464	1	FITT.DK S-67 BULKHEAD W/GASKET
57	145996	1	FITT.DK S-67 FORK



Pos.	parts-n°	order qty	description
58	242053	1	O-RING 3 X 44.2 90SH NITRIL
58	334244	1	FITT.DK S-67 ELB.1-1/4"
59	927715	1	HOSE Ø30 OSM RUBBER 2 BAR
60	618640	1	GAUGE BRACKET, ALPHA
61	334523	1	PIPE HOLDER Ø51.5
62	341204	1	SIGHT GAUGE TUBE L=59" 3500
62	341256	1	SIGHT TUBE 2.2M 4100
63	334513	1	MARKER HALF SIGHT GAUGE
64	242262	1	O-RING D31X3 VITON
65	440677	1	SCREW F. PLASTIC 5X20 SS
66	322108	1	FITT.DK S-67 BULKHEAD NUT
67	242053	1	O-RING 3 X 44.2 90SH NITRIL
67	334232	1	FITT.DK S-67 STR.1-1/4"
68	288806	1	NUT PLASTIC 3/4" 2002030
69	73051501	1	DRAINING VALVE PULLEY ASSY.
70	72374800	1	TANK VENT S93 2-1/2" NAV/NCM
71	145997	1	FITT.DK S-93 FORK
72	72776400	1	PULLEY SIGHT GAUGE COMPLETE
73	458073	1	BOLT M6X16 DIN933 COACH HEAD
74	92741000	1	HOSE Ø65 (5/2") PVC
75	72776300	1	PULLEY FLOAT COMPLETE
76	28034100	1	CABLE F.LIQUID LEVEL IND. SS L=5M
77	981583	1	POLYESTERLINE D 3 BLACK
78	334262	1	GASKET F.S-93 BULKHEAD
79	248106	1	O-RING FOR TANK LID
80	242053	1	O-RING 3 X 44.2 90SH NITRIL
81	334261	1	GASKET F. S-67 BULKHEAD
82	242354	1	O-RING D32.2X3.0 VITON
83	334260	1	GASKET F. S-53 BULKHEAD
84	73361001	1	HOSE AGITATION ALPHA PLUS
85	28036101	1	SLEEVE BSP2"F 2302070
86	288645	1	TERRY CLIP 051955.050162
87	726462	1	FITT. S40 BULKHEAD W.GASKET A partir du/from n°56635
88	322106	1	FITT.DK S-40 BULKHEAD NUT A partir du/from n°56635
89	726566	1	HOSE TAIL S40 3/8" STRAIGHT + O-RING A partir du/from n°56635
90	927017	1	HOSE R X 60 BAR X 3/8 X 0012" A partir du/from n°56635
91	334533	1	CLAMP HOSE PLASTIC 3/8" A partir du/from n°56635



---> n°56512
A129A



NARROW FOLD PLATFORM (FRONT
VERSION)
A129A, 14:02:17

Page 1
Date 07.02.2020 8:00

Pos.	parts-n°	order qty	description
1	63044101	1	FRONT FOOTBRIDGE BRACKET, SPRING SUSP, ALPEVO
2	63044701	1	REST CRADLE OFFSET ARM, ALPHA EVO
3	61019901	1	REAR BRACKET, REAR-FIX FOOTBRIDGE, ALPEVO
4	618622	1	SLATTED FLOOR 1688X400, ALPHA EVO
5	63044501	1	REST CRADLE BRACKET ALPEVO
6	39004801	1	SLIDE 40X20 L715 4 HOLES
6	398157	1	SLIDE 40X20 L755 4 HOLES
7	218049	1	BUSHING Ø20X23 L30
8	15058801	1	FOOTBRIDGE CONNECTION ROD, ALPHA
9	285609	1	BALL JOINT Ø27 M22X1.5 LEFT
10	285610	1	BALL JOINT Ø27 M22X1.5 RIGHT
11	461306	1	NUT M22X1.5 LEFT DIN439B
12	461249	1	NUT M22X1.5 DIN439B
13	461315	1	SAFETY NUT M14X1.5
14	248208	1	RUBBER BUFFER D5035 55NR
15	618816	1	FRONT RAILING, ALPHA
16	63082101	1	STEPLADDER V2, ALPEVO
17	61019801	1	CENTRAL BRACKET, FRONT FOOTBRIDGE, ALPEVO
18	61026601	1	LOWER LADDER HANDRAIL, ALPHA EVO
19	15023101	1	CROSSBAR BRACKET, ALPHA
20	61020001	1	BLUE FOOTBRIDGE SHIELD, ALPHA EVO
20	61020101	1	RED FOOTBRIDGE SHIELD, ALPHA EVO
21	618810	1	PIN Ø20 L152
22	618811	1	PIN Ø20 L107
23	63006701	1	FOOTBRIDGE SENSOR BRACKET ALPHA
24	288780	1	PLASTIC PLUG SQUARE 60 BLACK
25	458032	1	BOLT M8X30 8.8 DIN7991D SS
26	618626	1	MUDGUARD BRACKET 180 AVG ALP
27	63044401	1	TANK ACCES STEP, ALPHA 3500-4100
28	16492401	1	FOOTBRIDGE EXTENSION, ALPEVO
29	63044301	1	REAR RAILING, FRONT FOOTBRIDGE, ALP 3500-4100
30	16298501	1	GAUGE BRACKET, ALPHA
31	618636	1	STEP TANK ALPHA PLUS
32	61020201	1	REAR RAILING GUIDE, ALPHA 3500-4100
33	398149	1	ROLLER Ø16.6X25X35 L18
34	16374401	1	BLUE UPPER SHIELD, POLMAC VALVES, ALPEVO
34	16388701	1	RED UPPER SHIELD, POLMAC VALVES, ALPEVO
35	24003801	1	WASHER, RUBBER D8/D24X4
36	428003	1	SCREW CBHC 8-30/30 ISO 7380-1 SS A2
37	63042601	1	LADDER GC1.65M ALPEVO
37	638735	1	LADDER GC1.1M ALPHA
37	638789	1	LADDER GC1.5M ALPHA
38	16029701	1	LADDER BRACKET, ALPHA
39	638733	1	HYD LADDER CONNECTING ROD, ALPHA
40	398127	1	LADDER STOP, ALPHA
41	458032	1	BOLT M8X30 8.8 DIN7991D SS
42	248001	1	CLIP
43	16510601	1	LOWER FOOTBRIDGE STOP, ALPHA EVO
44	288666	1	CLEAR PLASTIC PLUG, GPN 300 F21
45	248001	1	CLIP
46	61042101	1	SLATTED FLOOR STEP, ALPHA EVO
47	288776	1	RIVET 043888 BLACK
48	398057	1	SHIM 12X50X300 AH11
49	458058	1	SCREW CS M5X20 A2 SS DIN963
50	638862	1	FL LIGHT BRACKET, MUDGUARD 180°, ALPHA
51	618627	1	\$\$FL LIGHT BRACKET, ALPHA
52	16255701	1	LIGHT PLATE, FL, GC1.5M, ALPHA
53	618660	1	LADDER BANNISTER, GC1.5M ALPHA
54	146498	1	PIN D16.8 X 75
55	480730	1	PIN ROLL 5X30 STAINLESS STEEL Seulement rampe HAZ/only HAZ boom

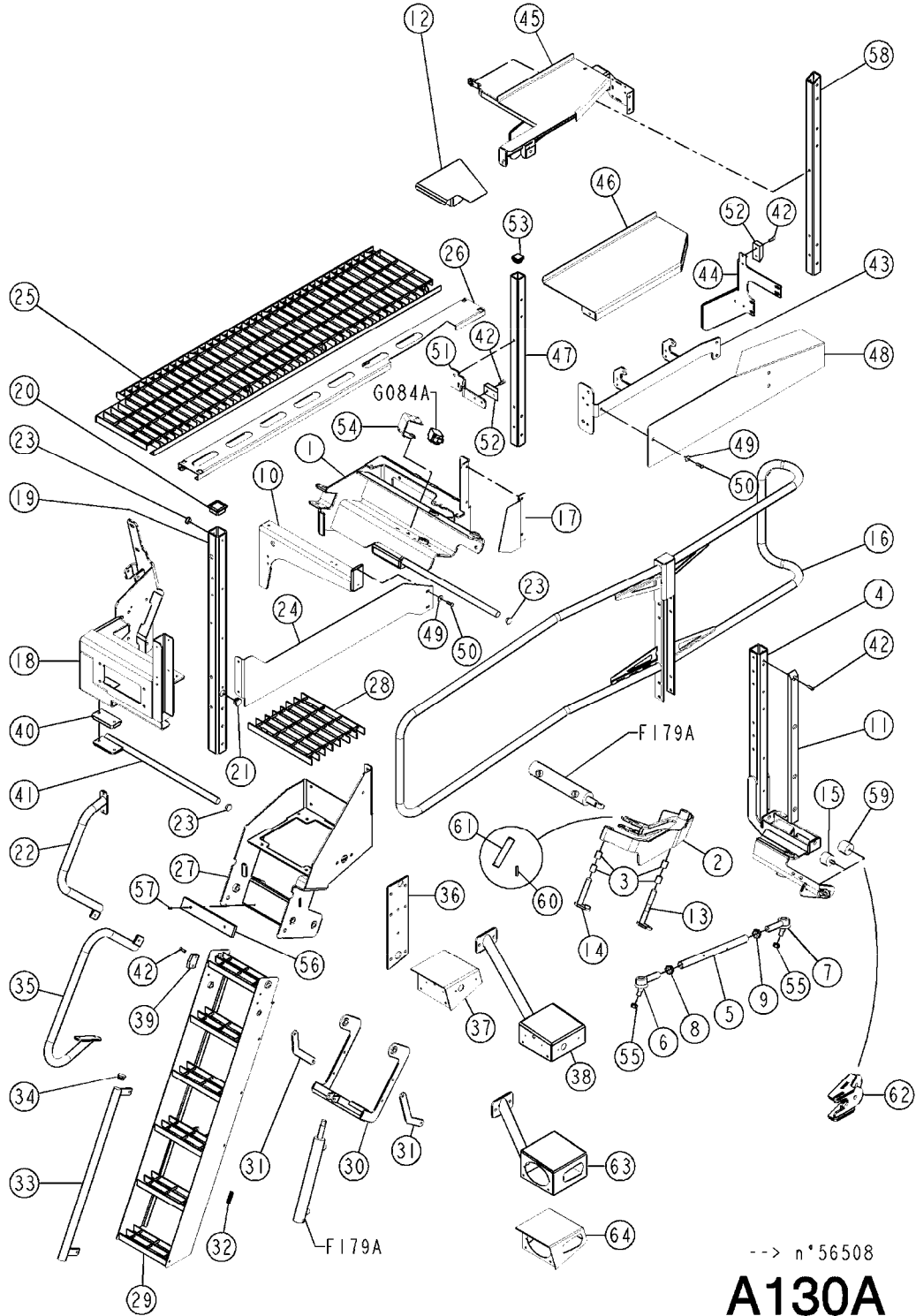


NARROW FOLD PLATFORM (FRONT
VERSION)
A129A, 14:02:17

Page 2

Date 07.02.2020 8:00

Pos.	parts-n°	order qty	description
56	63046901	1	BUFFER BRACKET, HAZ FOOTBRIDGE, ALPEVO Seulement rampe HAZ/only HAZ boom
57	39014601	1	FOOTBRIDGE ROLLER Ø16.6X30 L12 A partir du/from n°56068
58	39014901	1	FOOTBRIDGE STOP, Ø50 L43, ALPHA
59	63106101	1	AGROLUNA LIGHT BRACKET, FL, ALPHA EVO
60	61048101	1	AGROLUNA LIGHT BRACKET, FL, ALPHA EVO



--> n°56508
A130A



NARROW FOLD PLATFORM (REAR
VERSION)
A130A, 21:01:16

Page 1
Date 07.02.2020 8:00

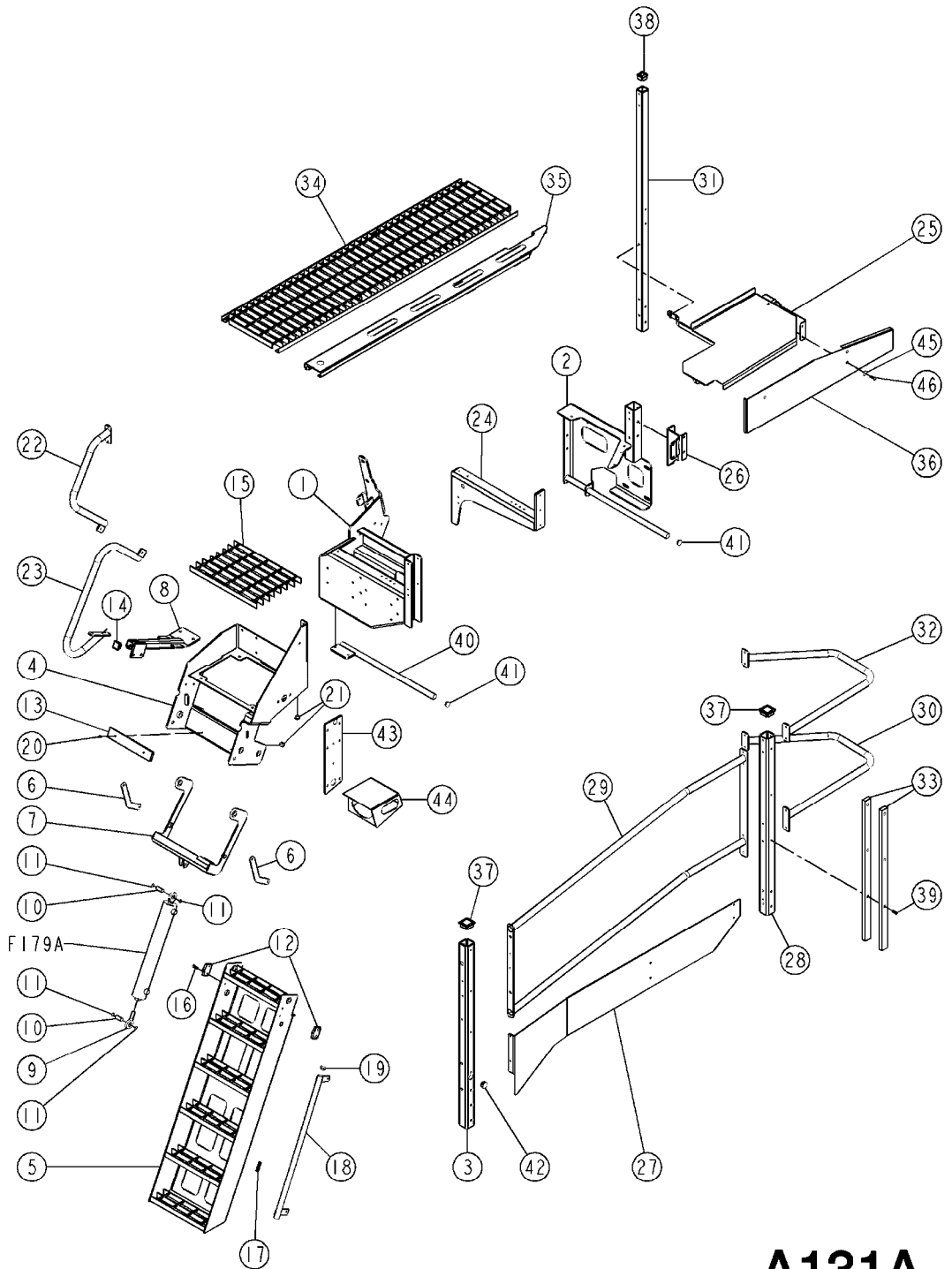
Pos.	parts-n°	order qty	description
1	63073901	1	REAR BRACKET, REAR FOOTBRIDGE, ALPEVO
2	63044701	1	REST CRADLE OFFSET ARM, ALPHA EVO
3	218049	1	BUSHING Ø20X23 L30
4	63044501	1	REST CRADLE BRACKET ALPEVO
5	15058801	1	FOOTBRIDGE CONNECTION ROD, ALPHA
6	285609	1	BALL JOINT Ø27 M22X1.5 LEFT
7	285610	1	BALL JOINT Ø27 M22X1.5 RIGHT
8	461306	1	NUT M22X1.5 LEFT DIN439B
9	461249	1	NUT M22X1.5 DIN439B
10	61039701	1	CENTRAL BRACKET, REAR FOOTBRIDGE, ALPEVO
11	398157	1	SLIDE 40X20 L755 4 HOLES
12	618636	1	STEP TANK ALPHA PLUS
13	618810	1	PIN Ø20 L152
14	618811	1	PIN Ø20 L107
15	248208	1	RUBBER BUFFER D5035 55NR
16	63074001	1	RAILING L2335, REAR FOOTBRIDGE, ALPHA
17	16613201	1	FOOTBRIDGE SHIELD, ALPEVO
18	63074101	1	REAR FOOTBRIDGE BRACKET, SPRING SUSP, ALPEVO
19	156624	1	BOOM STOP, SQUARE 60 L1100, ALPHA
20	288780	1	PLASTIC PLUG SQUARE 60 BLACK
21	288744	1	PLASTIC PLUG EP620GL34X1.0-3.0
22	618634	1	UPPER HANDRAIL LADDER ALPHA EVO
23	288666	1	CLEAR PLASTIC PLUG, GPN 300 F21
24	16612901	1	BLUE SHIELD, REAR FOOTBRIDGE, ALPEVO
25	63043601	1	REAR SLATTED FLOOR 1688X400, ALPHA EVO
26	16613101	1	REAR FOOTBRIDGE EXTENSION, ALPEVO
27	63082201	1	LADDER FOOTBOARD, ALPEVO V2
28	61042101	1	SLATTED FLOOR STEP, ALPHA EVO
29	63042601	1	LADDER GC1.65M ALPEVO
29	638735	1	LADDER GC1.1M ALPHA
29	638789	1	LADDER GC1.5M ALPHA
30	638733	1	HYD LADDER CONNECTING ROD, ALPHA
31	16029701	1	LADDER BRACKET, ALPHA
32	248001	1	CLIP
33	618660	1	LADDER BANNISTER, GC1.5M ALPHA
34	288666	1	CLEAR PLASTIC PLUG, GPN 300 F21
35	618633	1	RAIL FOR ALPHA LADDER
36	16255701	1	LIGHT PLATE, FL, GC1.5M, ALPHA
37	618627	1	\$\$FL LIGHT BRACKET, ALPHA
38	63027401	1	FL LIGHT BRACKET, GC1.5, ALPHA
39	398127	1	LADDER STOP, ALPHA
40	16515901	1	SHIM, MUDGUARD BKT, F/L, ALPHA
41	618626	1	MUDGUARD BRACKET 180 AVG ALP
42	458032	1	BOLT M8X30 8.8 DIN7991D SS
43	61040001	1	SHIELD BRACKET, FRONT-REAR FOOTBRIDGE ALPEVO
44	61040101	1	SPRAY+STEP BRACKET, ALPEVO
45	63044401	1	TANK ACCES STEP, ALPHA 3500-4100
46	61039901	1	TANK-FILTER ACCES STEP, ALPEVO
47	15077301	1	TUBE SQUARE 45 L850 ALPHA EVO
48	16613701	1	UPPER SHIELD, DF4 VALVE, ALPEVO
48	16374401	1	BLUE UPPER SHIELD, POLMAC VALVES, ALPEVO
48	16388701	1	RED UPPER SHIELD, POLMAC VALVES, ALPEVO
49	24003801	1	WASHER, RUBBER D8/D24X4
50	428003	1	SCREW CBHC 8-30/30 ISO 7380-1 SS A2
51	61040201	1	STOP FOR STEP ACCES TO FILTER ALPHA 3500-41
52	39010501	1	SLIDE 40X20 L80 2 HOLES
53	334571	1	PLUG 40x40x2 F.SQ.TUBE
54	63006701	1	FOOTBRIDGE SENSOR BRACKET ALPHA
55	461315	1	SAFETY NUT M14X1.5
56	398057	1	SHIM 12X50X300 AH11
57	458058	1	SCREW CS M5X20 A2 SS DIN963



NARROW FOLD PLATFORM (REAR
VERSION)
A130A, 21:01:16

Page 2
Date 07.02.2020 8:00

Pos.	parts-n°	order qty	description
58	15023101	1	CROSSBAR BRACKET, ALPHA
59	39014901	1	FOOTBRIDGE STOP, Ø50 L43, ALPHA
60	480730	1	PIN ROLL 5X30 STAINLESS STEEL Seulement rampe HAZ/only HAZ boom
61	146498	1	PIN D16.8 X 75
62	63046901	1	BUFFER BRACKET, HAZ FOOTBRIDGE, ALPEVO Seulement rampe HAZ/only HAZ boom
63	63106101	1	AGROLUNA LIGHT BRACKET, FL, ALPHA EVO
64	61048101	1	AGROLUNA LIGHT BRACKET, FL, ALPHA EVO



A131A

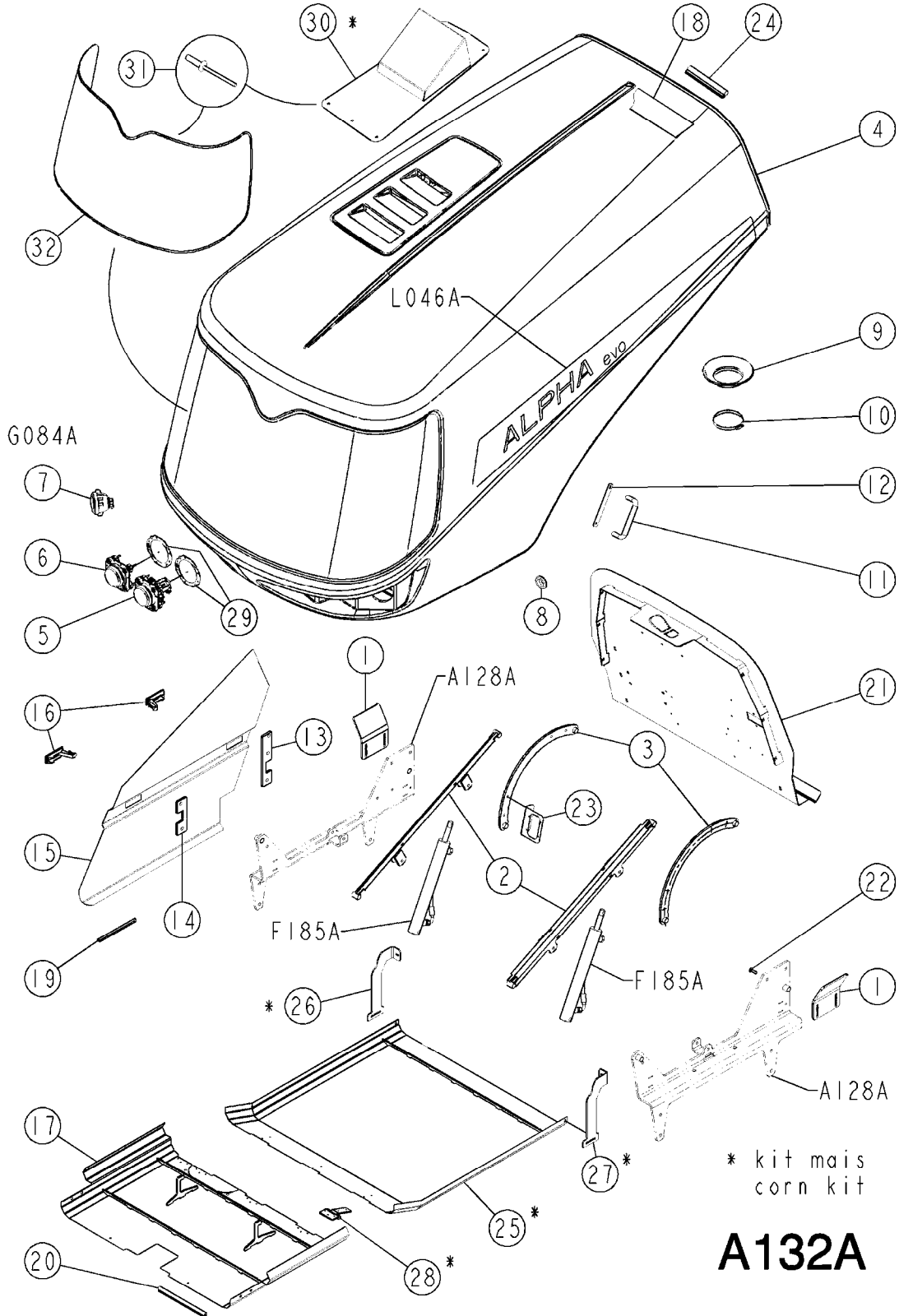


WIDE FIXED PLATFORM ALPHA
A131A, 06:01:15

Page 1

Date 07.02.2020 8:00

Pos.	parts-n°	order qty	description
1	63043501	1	HIGH FOOTBRIDGE FRONT 18/24 HA
2	61019901	1	REAR BRACKET, REAR-FIX FOOTBRIDGE, ALPEVO
3	156624	1	BOOM STOP, SQUARE 60 L1100, ALPHA
4	63083801	1	WIDE FOOTBOARD, ALPEVO
5	63083901	1	WIDE LADDER, GC1.06-1.2, ALPEVO
5	63084101	1	WIDE LADDER, GC1.5M, ALPEVO
6	16029701	1	LADDER BRACKET, ALPHA
7	63084001	1	ROD LINK LADDER WIDTH ALPHA EV
8	61048601	1	PLATE STEP WIDE ALPEVO
9	210879	1	LINK HEAD M16 x D17
10	14013201	1	PIN Ø16.8 L42
11	28029101	1	CIRCLIP, OUTER, D17, LADDER, SARITOR
12	398127	1	LADDER STOP, ALPHA
13	398057	1	SHIM 12X50X300 AH11
14	334571	1	PLUG 40x40x2 F.SQ.TUBE
15	61045601	1	SLATTED FLOOR STEP, ALPEVO
16	458032	1	BOLT M8X30 8.8 DIN7991D SS
17	248001	1	CLIP
18	618660	1	LADDER BANNISTER, GC1.5M ALPHA
19	288666	1	CLEAR PLASTIC PLUG, GPN 300 F21
20	458058	1	SCREW CS M5X20 A2 SS DIN963
21	288776	1	RIVET 043888 BLACK
22	618634	1	UPPER HANDRAIL LADDER ALPHA EVO
23	618633	1	RAIL FOR ALPHA LADDER
24	61018701	1	SUPPORT PASS CENT 18/24HAZ ALP
25	63070401	1	ACCESS TANK WIDE FOOTB FIX ALP
27	16592401	1	WIDE FOOTBRIDGE SHIELD, ALPHA
28	15073201	1	SUPPORT REPOSOIR HAZ ALPEVO
29	638863	1	RAILING LAT HIGH HPZ ALPHA+
30	61037301	1	RAILING ACCESS TANK HAZ ALPEVO
31	15001201	1	\$\$SUPPORT TRAVERSE ALPHA PLUS
32	63070301	1	RAILING ACCESS TANK HAZ ALPEVO
33	398210	1	SLIDE 40x20 L855 3 HOLES
34	618622	1	SLATTED FLOOR 1688X400, ALPHA EVO
35	16592501	1	WIDE FOOTBRIDGE EXTENSION ALPEVO
36	16592601	1	WIDE FOOTBRIDGE SUP. HAZ ALPEVO
37	288780	1	PLASTIC PLUG SQUARE 60 BLACK
38	334571	1	PLUG 40x40x2 F.SQ.TUBE
39	458032	1	BOLT M8X30 8.8 DIN7991D SS
40	618626	1	MUDGUARD BRACKET 180 AVG ALP
41	288666	1	CLEAR PLASTIC PLUG, GPN 300 F21
42	288744	1	PLASTIC PLUG EP620GL34X1.0-3.0
43	16255701	1	LIGHT PLATE, FL, GC1.5M, ALPHA
43	618627	1	\$\$FL LIGHT BRACKET, ALPHA
44	61048101	1	AGROLUNA LIGHT BRACKET, FL, ALPHA EVO
45	24003801	1	WASHER, RUBBER D8/D24X4
46	428003	1	SCREW CBHC 8-30/30 ISO 7380-1 SS A2



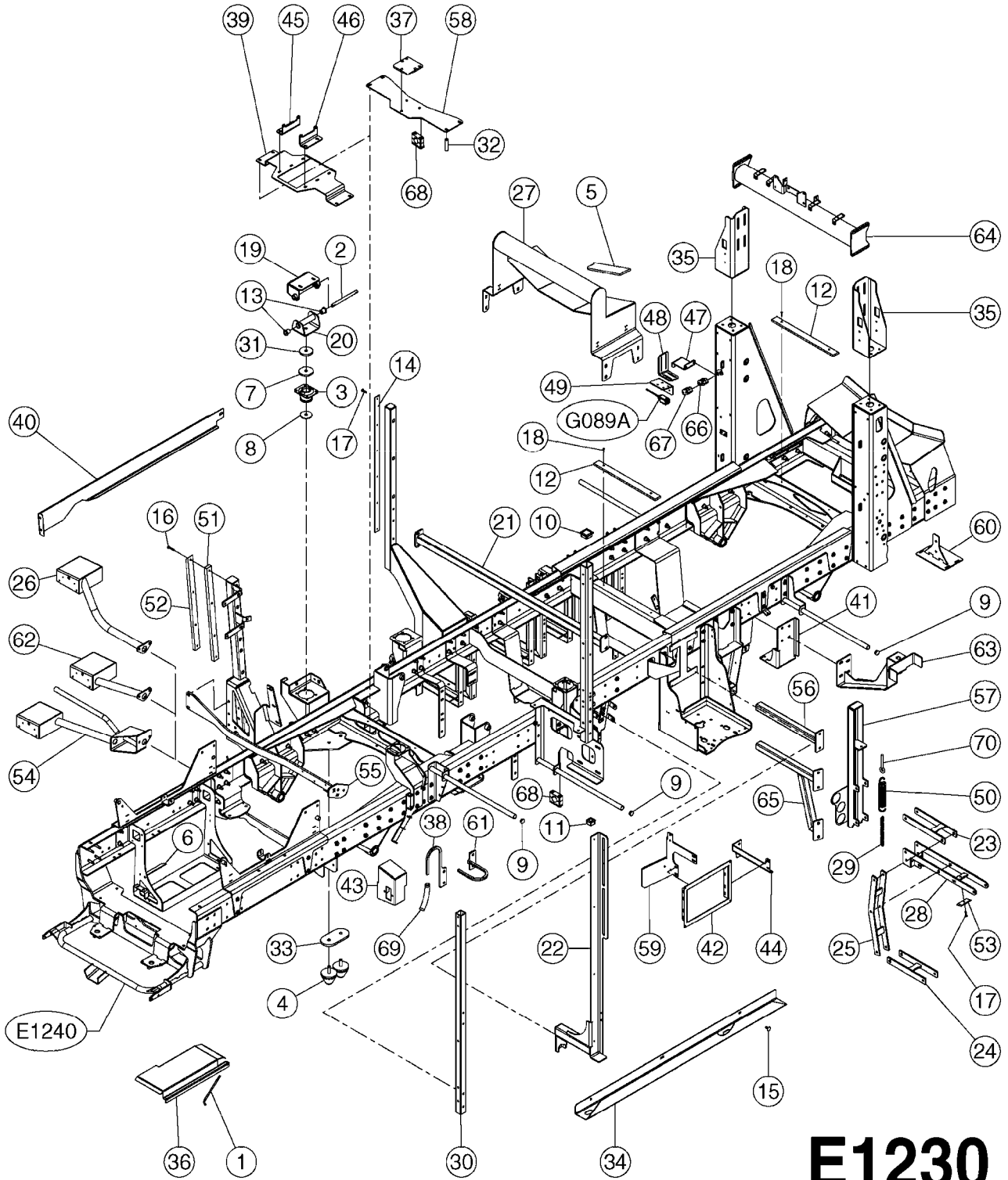
A132A



ENGINE HOOD, ALPHA ECODRIVE
A132A, 12:01:15

Page 1
Date 07.02.2020 8:00

Pos.	parts-n°	order qty	description
1	16554001	1	HOOD GUIDE ALPHA EVO
2	63074501	1	LONG ROD, HOOD T3B, ALPHA EVO
3	61040601	1	SHORT ROD, HOOD T3B, ALPHA EVO
4	35001501	1	ENGINE COVER BLUE T3B ALPHA EVO
4	35002201	1	ENGINE COVER RED T3B ALPHA EVO
5	26016101	1	LOW BEAM (ECE)
5	26044901	1	LOW BEAM LIGHT, SAE, SARITOR Seulement/only USA
6	26016201	1	HIGH BEAM LIGHT (ECE)
6	26045001	1	HIGH BEAM LIGHT, SAE, SARITOR Seulement/only USA
7	26011601	1	WORK LIGHT 1GO 996 176-061 HELLA 70 H9 CR
8	24007801	1	RUBBER GROMMET Ø24/32 M10-12-16
9	24025901	1	AIR FILTER BELLOW
10	288852	1	CLAMP S110-130/12 C7W1
11	288688	1	HANDLE PP M643/180 B-M8
12	16339101	1	HANDLE FLANGE, ENGINE HOOD
13	16502901	1	SIDE COVER SUPPORT L235 ALPHA EVO
14	16503001	1	SIDE COVER SUPPORT L160 ALPHA EVO
15	16500201	1	\$\$\$SIDE COVER BATTERY ALPHA EVO
16	288710	1	BATTERY BOX COVER LATCH
17	61025201	1	GUARD UNDER ENGINE V2
18	97817101	1	NON SLIP TAPE
19	248179	1	PROFILE BLACK 121801
20	248182	1	PROTECTIVE SEAL 1011-22
21	63062401	1	CABIN SEPARATOR T3B EVO
22	45001701	1	SCREW TB SQUARE M8x30 CL8
23	16616201	1	PLUG BRACKET, T3B-T4F, ALPEVO
24	248180	1	RUBBER CLIPS 121866
25	63063801	1	BOTTOM GUARD
26	16639501	1	RIGHT BRACKET, CORN SHIELD ALPHA EVO
27	16639601	1	LEFT BRACKET, CORN SHIELD ALPHA EVO
28	288123	1	HINGE, DOOR, TOOLBOX R.SIDE, SARITOR
29	16568201	1	PLATE, INTERFACE SAE LIGHT, HOOD, SARITOR Seulement pour feux SAE/only for SAE lights
30	61042401	1	AIR DEFLECTOR, HOOD T3B-T4F, ALPEVO
31	488019	1	RIVET 4 X 14 DACROME 34461
32	16628801	1	ENGINE HOOD GRILL, ALPHA EVO



E1230



FRAME - ALPHA EVO ECODRIVE
E1230-HIN, 09:01:17

Page 1
Date 07.02.2020 8:00

Pos.	parts-n°	order qty	description
1	148015	1	TIRANT BATTERIE AH8/AH11
2	148113	1	PIN Ø16 L215
3	248095	1	CAB MOUNT FLEXIBLE
4	248120	1	CONE FOR ALPHA
5	248226	1	BANDE CAOUT REGUPOL 8012 90X10
6	248257	1	FOAM, ADHESIVE, 20X5
7	278207	1	UPPER WASHER 131003/ROS
8	278208	1	LOWER WASHER 131003-RO
9	288666	1	CLEAR PLASTIC PLUG, GPN 300 F21
10	288780	1	PLASTIC PLUG SQUARE 60 BLACK
11	334571	1	PLUG 40x40x2 F.SQ.TUBE
12	398003	1	PLASTIC SHIM 12x50x550
13	398047	1	BUSH Ø16X24 L30
14	398188	1	GUIDE RAIL 40X5 L 985
15	440737	1	BOLT CARRIAGE M10x25 SS
16	458010	1	FLAT HEAD SCREW M8X45 SS A2 DIN7991
17	458032	1	BOLT M8X30 8.8 DIN7991D SS
18	458076	1	VIS FS M 5-25 INOX A2 DIN963
19	618297	1	CAB UPPER BRACKET, ALPHA
20	618298	1	LOWER SUPPORT F. CABINE ALPHA
21	618637	1	TRAVERSE RENFORT ALPHA PLUS LENGTH = 49"
21	61025803	1	BRACKET, TRANS, CENTER, TUBE, AL LENGTH = 63"
22	618640	1	GAUGE BRACKET, ALPHA
23	618661	1	BRAS SUP INCORPORAT GS1,5 ALP+
24	618662	1	BRAS INF INCORPORAT GS1,5 ALP+
25	618663	1	BRAS INTERM INCORPO GS1,5 ALP+
26	638659	1	\$\$FR LIGHT BRACKET 90° GC1,1-1,2
27	638801	1	SUPPORT AV CUVE POLYETHY ALPHA
28	638899	1	BRAS INF HAUT INCOR GS1,5 ALP+
29	981718	1	CHAIN Ø5 35X10 103050 GALVA
30	15001201	1	\$\$\$SUPPORT TRAVERSE ALPHA PLUS
31	16004201	1	SHIM Ø80X16 L10 CAB
32	16027101	1	\$\$\$SUPPORT BLOC HYD AV ALP+ EP.5
33	16100701	1	CALE TAMPON ESSI AV ALP+ EP.12
34	16190601	1	GOUTTIERE FLEXIBLE ALPHA+ EP.3
35	16324001	1	SUPPORT TRAVERSE ALPHA 4100
36	16364501	1	BATTERY SHIELD, ALPHA
37	16386601	1	CALE BLOC HYDRAULIQUE AVANT
38	16455801	1	RING FLEXIBLE ALPHA+
39	16480001	1	SUPPORT BLOC HYD AVANT SAPE
40	16573601	1	TOLE PASSERELLE DROITE T3B EVO
41	16589201	1	SUPPORT BLOC PULVE T3B ALP EVO
42	16608301	1	SUPPORT JOBCOM ALPEVO
43	16623501	1	\$\$\$SUPPORT COUPE BATT ALPEVO T3B
44	16629901	1	SUPPORT JOBCOM ALPHA EVO
45	16639201	1	FIXATION BLOC SAPE AVD T3B EVO
46	16639301	1	FIXATION BLOC SAPE AVG T3B EVO
47	16651401	1	FIX BRACKET FOR BOOM SENSOR
48	16651501	1	SUPPORT REGLABLE CAPTEUR RAMPE
49	16651601	1	CARTER CAPTEUR RAMPE
50	22001701	1	DRAW SPRING Ø EXT45 L235 Ø7 23.5 SPIRES
51	39004701	1	GLISSIERE 40X20 L630 3 TROUS
51	39004801	1	SLIDE 40X20 L715 4 HOLES
52	39004701	1	GLISSIERE 40X20 L630 3 TROUS
52	39012401	1	SLIDE 40X20 L715 4 HOLES
53	39012101	1	GLISSIERE 35X5 L90
54	61018001	1	\$\$BRACKET MUDGUARD FR 180°EVO
54	61048001	1	SUPPORT FEU AVD AGROLUNA EVO
55	61020301	1	\$\$TRAVERSE AV PASSER RETR ALPEVO



FRAME - ALPHA EVO ECODRIVE
E1230-HIN, 09:01:17

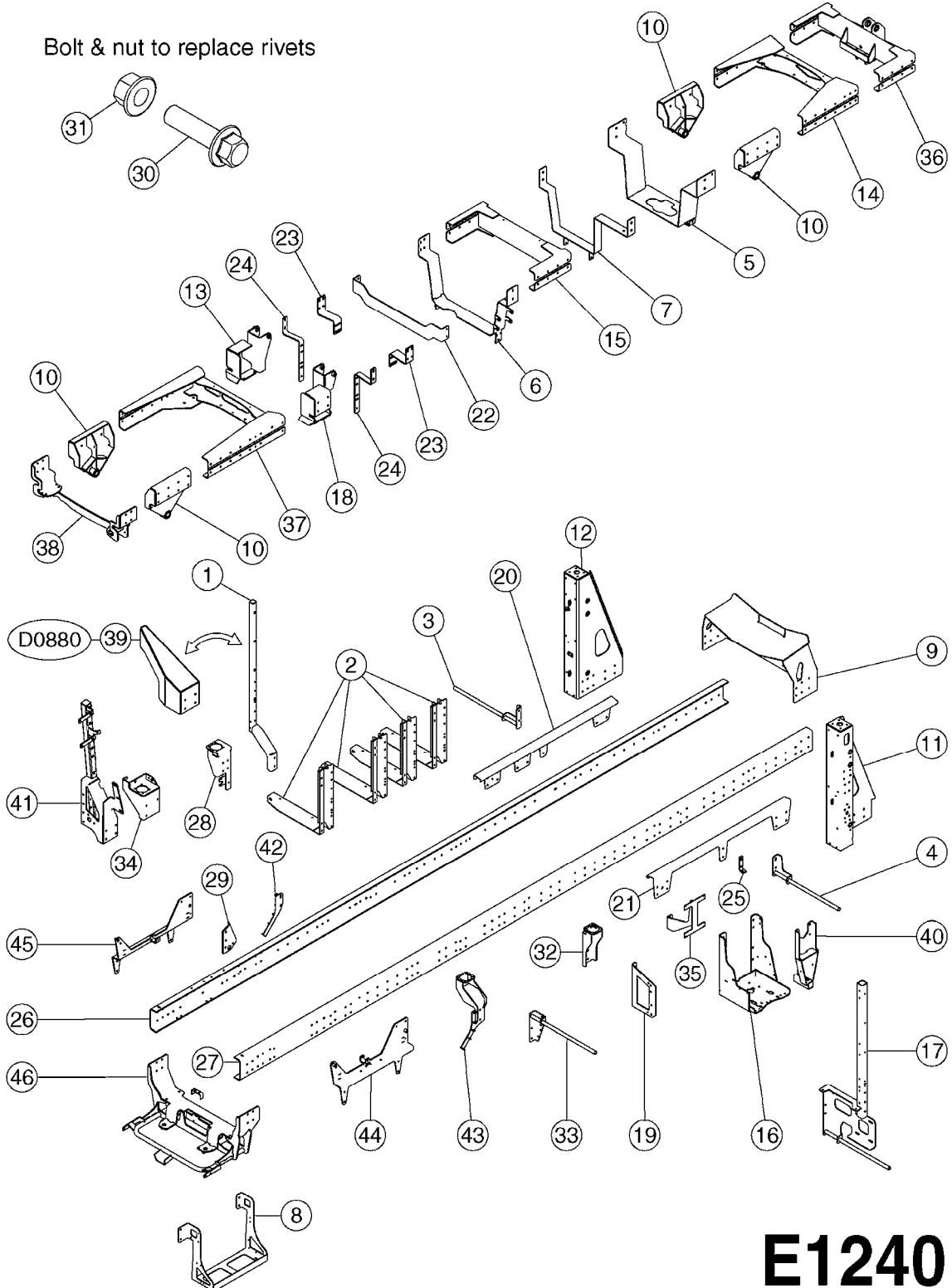
Page 2

Date 07.02.2020 8:00

Pos.	parts-n°	order qty	description
56	61026101	1	FASTFILLER BRACKET TUBE L510
57	61032401	1	FASTFILLER PARALIFT BRACKET 3 HOLES
58	61037901	1	TRAVERSE BLOC HP T3B ALPEVO
59	61040101	1	SPRAY+STEP BRACKET, ALPEVO
60	61043001	1	SUPPORT CALE TUV ALPHA EVO
61	61043301	1	HYD HOSE RING XXL GC 1,50-1.65M ALPEVO
62	63000001	1	Support FEU AVD GS1,5M ALPHA+
63	63044901	1	BLUE/GREY REEL BRACKET, ALPHA
64	63063601	1	TRAVERSE REGL POTENC ALPEVO V2
65	63067801	1	TURBOFILLER 35L BRACKET, GC1,5, ALPEVO
66	78629401	1	COLLAR 322 PP BLACK
67	78629601	1	COLLAR 322 PP NOIR DP AS W5
68	78629701	1	PIPE CLAMP 5040 PP DPAL AS W5
69	92703203	1	HOSE R X3/4" X300PSI WP X0012"
70	PI85AB4715	1	EYE BOLT M12-130/75 900H053



Bolt & nut to replace rivets



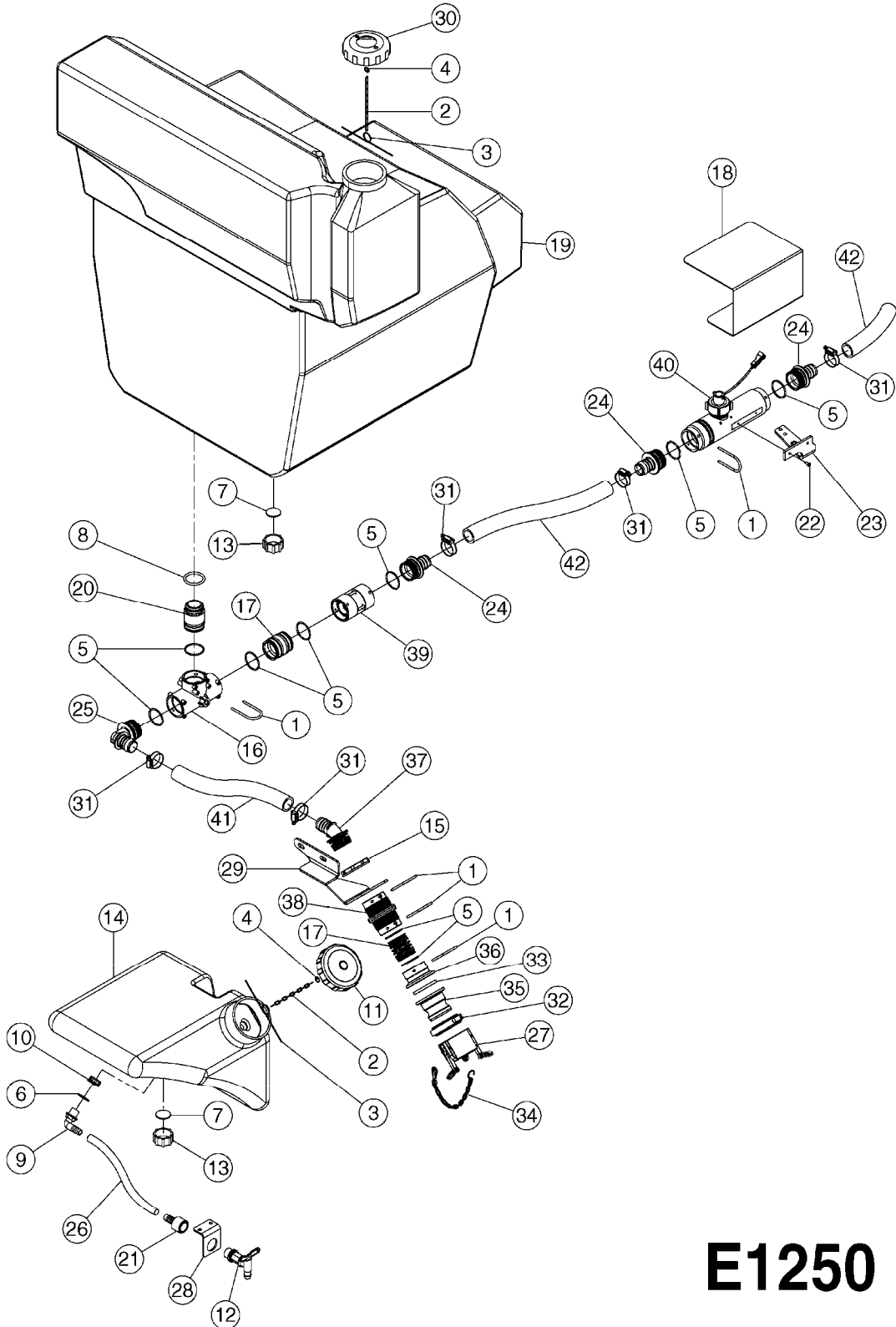
E1240



FRAME - RIVETED ALPHA EVO
ECODRIVE
E1240-HIN, 09:01:17

Page 1
Date 07.02.2020 8:00

Pos.	parts-n°	order qty	description
1	618357	1	REAR RIGHT BRACKET AH11 Early models only (front)
1	61053501	1	REAR RIGHT FOOTBRIDGE BRACKET, ALPHA V2 Early models only (rear)
2	618520	1	FUEL TANK BRACKET, ALPHA
3	618538	1	RR MUDGUARD 180° BRACKET, ALPHA
4	618539	1	RL MUDGUARD 180° BRACKET, ALPHA
5	618623	1	LOW CRADLE, MAIN TANK, ALPHA
6	618624	1	FRONT CRADLE FOR RINSING TANK ALPHA
7	618632	1	SUPPORT AR CUV RIN POLYET ALP+
8	618710	1	BAC BATTERIE V2 ALPHA PLUS
9	618873	1	SUPPORT AR CUVE PRINCI V2 ALP+
10	638300	1	PIVOT ALPHA
11	638343	1	\$\$LEFT PARALIFT GALLOW, Ø25 ALPHA
12	638349	1	\$\$RIGHT PARALIFT GALLOW, Ø25 ALPHA
13	638377	1	BEAM SPRING RIGHT ALP
14	638633	1	REINFORCING CROSSBAR
15	638706	1	CHASSIS BEAM, ALPHA
16	638750	1	PUMP EC500-464 BRACKET, ALPHA
16	61041701	1	ALTEK PUMP, ALPHA EVO
17	638846	1	FOOTBRIDGE BRACKET+HAND WASHER ALPHA
18	638958	1	POUTRELLE RESSORT GAU V2 ALP+
19	16144201	1	VALVE BRACKET, SIDE CABIN, ALPHA
20	16176801	1	TANK BRACKET, LAT RIGHT, ALPHA
21	16176901	1	TANK BRACKET, LAT LEFT, ALPHA
22	16190501	1	TOLE S235JRG2 EP 6 S 1969 C²
23	16298901	1	OILS TANK OLDER ALP+
24	16299001	1	OIL TANK BRACKET, ALPHA
25	16321601	1	FLOWMETER BRACKET, ALPHA
26	16426101	1	RIGHT SPAR, ALPHA EVO T3B
27	16426201	1	LEFT SPAR, ALPHA EVO T3B
28	16556701	1	\$\$RL CAB BRACKET, ALPHA EVO
29	16615901	1	SUPPORT FEUX AVD T3B ALPEVO
30	43002001	1	SCREW H SEAT M12-40 CL10.9
30	43002101	1	SCREW H SEAT M12-45 CL10.9
30	43002201	1	SCREW H SEAT M12-50 CL10.9
31	46000101	1	SELF-LOCKING NUT M12
32	61002501	1	RL CAB BRACKET, ALPHA
33	61004801	1	FL MUDGUARD BRACKET, ALPHA
34	61030301	1	FR CAB BRACKET. ALPHA EVO
35	61037201	1	ELECT BOX BRACKET, ALPHA EVO V2
36	63033901	1	REAR SPRING BEAM, ALPHA
37	63048701	1	POUTRELLE RENF AV TIE3B ALPEVO
38	63049501	1	ENGINE REAR BRACKET, T3B 2012 ALPHA EVO
39	63049803	1	BRACKET, TRANS, RH, AL
40	63053801	1	TURBOFILLER BRACKET, GC1,65, ALPHA EVO
41	63061401	1	BRACKET FOOTBRIDGE FR T3B EVO
42	63065801	1	RIGHT BRACKET, A/C HOSE, ALPHA
43	63067501	1	FL CAB BRACKET, ALPHA EVO
44	63074601	1	LEFT BONNET BRACKET, T3B, ALPEVO
45	63074701	1	RIGHT BONNET BRACKET, T3B, ALPEVO
46	63085601	1	FRONT BEAM, ENGINE T3B, ALPEVO V2



E1250



RINSE/CLEAN WATER TANKS -
ALPHA
E1250-HIN, 15:05:17

Page 1
Date 07.02.2020 8:00

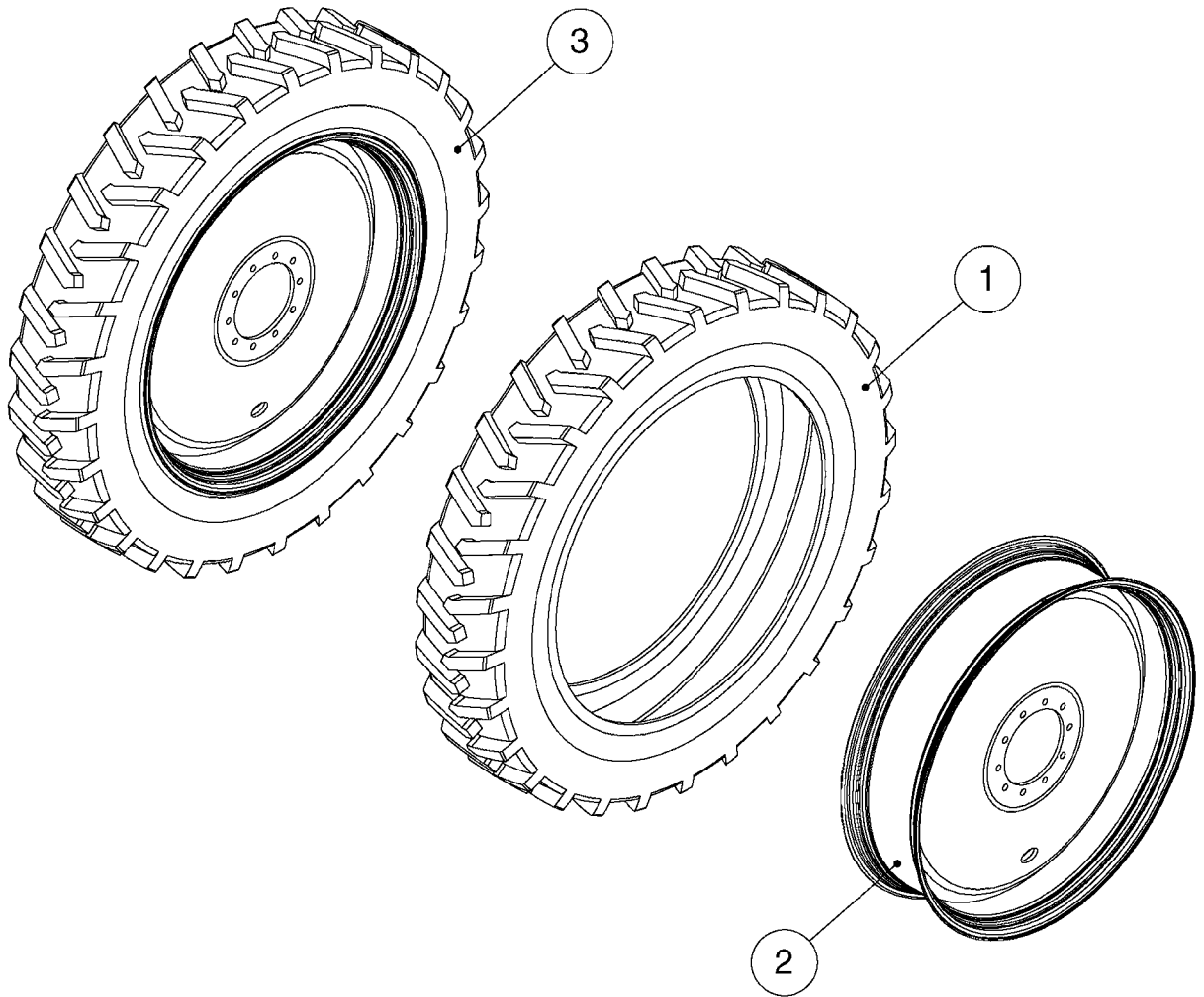
Pos.	parts-n°	order qty	description
1	145996	1	FITT.DK S-67 FORK
2	198150	1	CHAIN DOUBLE LINK Ø1,1 L200
3	228039	1	LID RETAINER FOR CHAIN
4	228040	1	RING Ø15
5	242353	1	O-RING 3 X 44.2 VITON
6	248071	1	SEAL 1/2' 21X33X2
7	248072	1	RUBBER GASKET Ø37 TH2.5
8	248112	1	O-RING R5,33X43,82 NBR 80SHORES
9	288149	1	HOSE TAIL 90° BSP1/2" FOR HOSE Ø15
10	288235	1	NUT 1/2' 2052020
11	288236	1	TANK CAP Ø122
12	288237	1	DRAIN TAP WITH SEAL
13	288344	1	CAP DRAIN TANK (543C)
14	288507	1	HAND WASHING TANK 15L YELLOW
15	322108	1	FITT.DK S-67 BULKHEAD NUT
16	322224	1	FITT.DK S-67 TEE
17	334573	1	FITT.DK S-67 CONNECTOR
18	358161	1	CARTER CAPTEUR DEBIT ALP+ EP.2
19	358268	1	RINSE TANK 410L ALPHA
20	398066	1	CONNECTION G1'1/2-S67
21	398167	1	HOSETAIL BSP3/4"F FOR HOSE Ø16
22	458067	1	VIS PT KA 50X16 WN1412 INOX A2
23	618862	1	SUPPORT DEBITMETRE ALPHA
24	726561	1	FITT.DK S-67 STR.1-1/4" O-RING
25	726573	1	FITT. S67 5/4" 90° W/O-RING
26	927708	1	HOSE Ø15X19 PVC TRANSP 2 BAR
27	10531003	1	CAP F.MALE QUICK COUPLER 2"
28	16321401	1	BALL VALVE BRACKET
29	16609501	1	SUPPORT RACCORD 2"1/2 ALPEVO
30	28027001	1	TANK CAP Ø122 DRILLED 1 HOLE Ø52 + 2 HOLES Ø10
31	28030103	1	CLAMP HOSE GEAR P5/4-S1.5"6724
32	28034503	1	CLAMP F. 2" STD BANJO FLANGE
33	28034603	1	GASKET F. 2" FP BANJO FLANGE
34	28040703	1	SAFETY CHAIN F.CV BLACK PTO (SET OF 2)
35	28049903	1	COUPLER, 2" FP, MALE, FLANGED
36	39002003	1	FITT S67/2" FP BANJO FLANGE
37	72433100	1	FITT.DK S-67 45° 1-1/4"W/ORING
38	72819200	1	CHECK VALVE S67 2012 THREADED
39	72819300	1	CHECK VALVE S67 2012 NO THREAD
40	73299601	1	PREP DEBITMETRE D36 CUV RINCAG
41	92734403	1	HOSE R X5/4" X200PSI WP X0012"
42	92738900	1	HOSE R X PVC X 1-1/4" 0012"



WHEELS FOR ALPHA
E1270-HIN, 06:02:17

Page 0

Date 07.02.2020 8:00



E1270



WHEELS FOR ALPHA
E1270-HIN, 06:02:17

Page 1

Date 07.02.2020 8:00

Pos.	parts-n°	order qty	description
1	28093203	1	TIRE, 380/90 R50, ULTRASPRAY, 170D
1	28097503	1	TIRE, 320/90 R54, ULTRASPRAY, 162D
2	28097303	1	WHEEL, 50X13" 10B/13.19BC/11.06P
2	28097403	1	WHEEL, 54X11" 10B/13.19BC/11.06P
3	70144103	1	WHEEL/TIRE, 380/90R50, 60MM INSET, LH
3	70144203	1	WHEEL/TIRE, 380/90R50, 60MM INSET, RH
3	70144403	1	WHEEL/TIRE, 320/90R54, 90MM INSET, LH
3	70144503	1	WHEEL/TIRE, 320/90R54, 90MM INSET, RH



DECALS - ALPHA
K0152-HIN, 04:01:18

46 ALPHA evo 44 ALPHA 4100 53 Eco Drive 51

47 ALPHA evo 45 ALPHA 4100 37 i

24 HARDI 60 HARDI 62 HARDI 25 30 mile/h 43

18 CAUTION 19 WARNING 28 ATTENTION! 50 10

16 CAUTION TANK DRAIN 22 WARNING 21 DANGER 23 DANGER 65 DynamicFluid 61 42

12 WARNING 14 WARNING 15 WARNING 20 CAUTION 38

17 DANGER 13 WARNING 11 IMPORTANT 26 64 64 27 32

57 48 40 30 63 58 5 105 110 24

8 5 2 6 7 9 39 1 3 4 49 31

34 33 35 36 56 54 52 55 59 41

GAZOLE FUEL DIESEL

K0152



DECALS - ALPHA
K0152-HIN, 04:01:18

Page 1
Date 07.02.2020 8:00

Pos.	parts-n°	order qty	description
1	978433	1	DECAL - WARNING! SHIELD MISSING
2	978436	1	DECAL - WARNING! SERVICE
3	978438	1	DECAL - GRIP POINT
4	978439	1	DECAL LIFT
5	978441	1	DECAL - WARNING CRUSHING
6	978442	1	DECAL - FALLING OFF PLATFORM
7	978444	1	DECAL - WARNING ENGINE FAN
8	978445	1	DECAL - WARNING SQUEEZING HAND
9	978447	1	DECAL - HOT SURFACE
10	978730	1	DECAL - INDICATOR
11	10521003	1	DECAL IMPORTANT MAINTAIN ENG.
12	10532503	1	DECAL WARNING-FLUID HAZ. ENG
13	10532603	1	DECAL WARNING-CLEAN WATER ENG
14	10532703	1	DECAL WARNING-CRUSH FING. ENG
15	10532803	1	DECAL WARNING-FOLD WINGS ENG
16	10532903	1	DECAL CAUTION-TANK DRAIN ENG
17	10533003	1	DECAL DANGER-OV.HEAD LINE ENG
18	10533103	1	DECAL CAUTION-GENR. LABEL ENG
19	10533203	1	DECAL WARNING-CHEMICALS ENG
20	10533303	1	DECAL CAUTION-LEAK Q.FILL ENG
21	10533403	1	DECAL DANGER-AXLE ADJUST ENG
22	10577603	1	DECAL 'DO NOT WELD' H.P. ENG.
23	10616103	1	DECAL 'DANGER-PARALIFT' ENG
24	97617003	1	DECAL - HARDI 3D LOGO F.TANK 335 X 210
25	97617103	1	DECAL - SPEED 30 MPH
26	97617903	1	DECAL - MAINTENANCE BREAKAWAY
27	97618003	1	DECAL S/G ALPHA 4100 (GAL)
28	97618103	1	DECAL SET FOR ALPHA 4100
29	97620603	1	DECAL ALPHA EXT.CONTROLS
30	97803401	1	DECAL - SECURITY
31	97803801	1	DECAL, FUEL TANK, SARITOR
32	97807201	1	DECAL S/G ALPHA 4100 (LITER)
33	97809900	1	DECAL MAIN TANK SUCTION NCM
34	97810000	1	DECAL FLUSH TANK SUCTION NCM
35	97810400	1	DECAL SPRAY/BOOM NCM
36	97810500	1	DECAL RINSE NOZZLES NCM
37	97812101	1	DECAL - I 42x95
38	97812901	1	DECAL CLEAN WATER TANK
39	97813001	1	DECAL - ACCESS TANK FORBIDDEN
40	97813101	1	DECAL - MAX. HEIGHT 4M
41	97815001	1	DECAL - SLANT INDICATOR
42	97815501	1	DECAL - MODE SELECTOR SPRAY CENTER
43	97816101	1	DECAL - PUMP
44	97818201	1	DECAL - ALPHA EVO 4100 LEFT
45	97818301	1	DECAL - ALPHA EVO 4100 RIGHT
46	97818501	1	LEFT BONNET STICKER ALPHA EVO
47	97818601	1	RIGHT BONNET STICKER ALPHA EVO
48	97818801	1	DECAL - ALPHA EVO HOOD OPENING
49	97819401	1	DECAL - TILT INDICATOR
50	97819601	1	STICKER, CHECK AIRLINE OIL
51	97820101	1	DECAL - ALPHA EVO FUSE PANEL
52	97821400	1	DECAL CHEMFILL SUCTION 28Ø
53	97821401	1	DECAL - ECO DRIVE
54	97821600	1	DECAL CHEMFILL CLEAN 28Ø
55	97822701	1	DECAL - MADE IN FRANCE
56	97825500	1	DECAL PRESS. EMPTY/TURBOFILLER
57	97825501	1	DECAL - PARKING BRAKE RELEASE
58	97825701	1	DECAL - 4 WHEEL STEERING
59	97826201	1	DECAL - OUTSIDE DF4 COMMAND
60	97826300	1	HARDI LOGO STICKER, FRONT HOOD
61	97826601	1	DECAL - OIL FILTER CHANGE

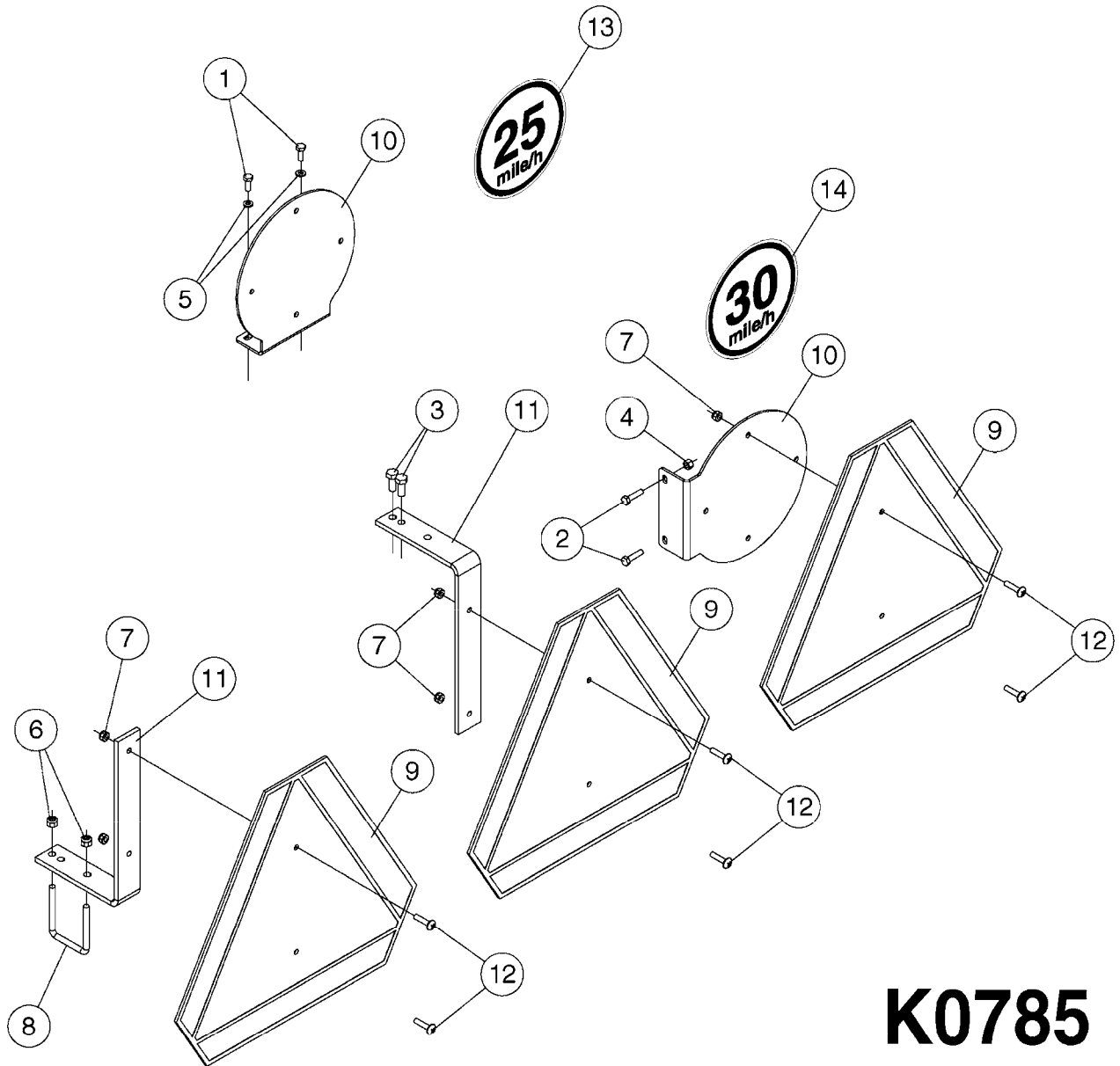


DECALS - ALPHA
K0152-HIN, 04:01:18

Page 2

Date 07.02.2020 8:00

Pos.	parts-n°	order qty	description
62	97826800	1	DECAL HARDI LOGO STEERING WHEEL
63	97828301	1	STICKER - PRODUCT NAME
64	97828401	1	DECAL - DFP-CRT OVERRIDE
65	97839900	1	DECAL DYNAMICFLUID4



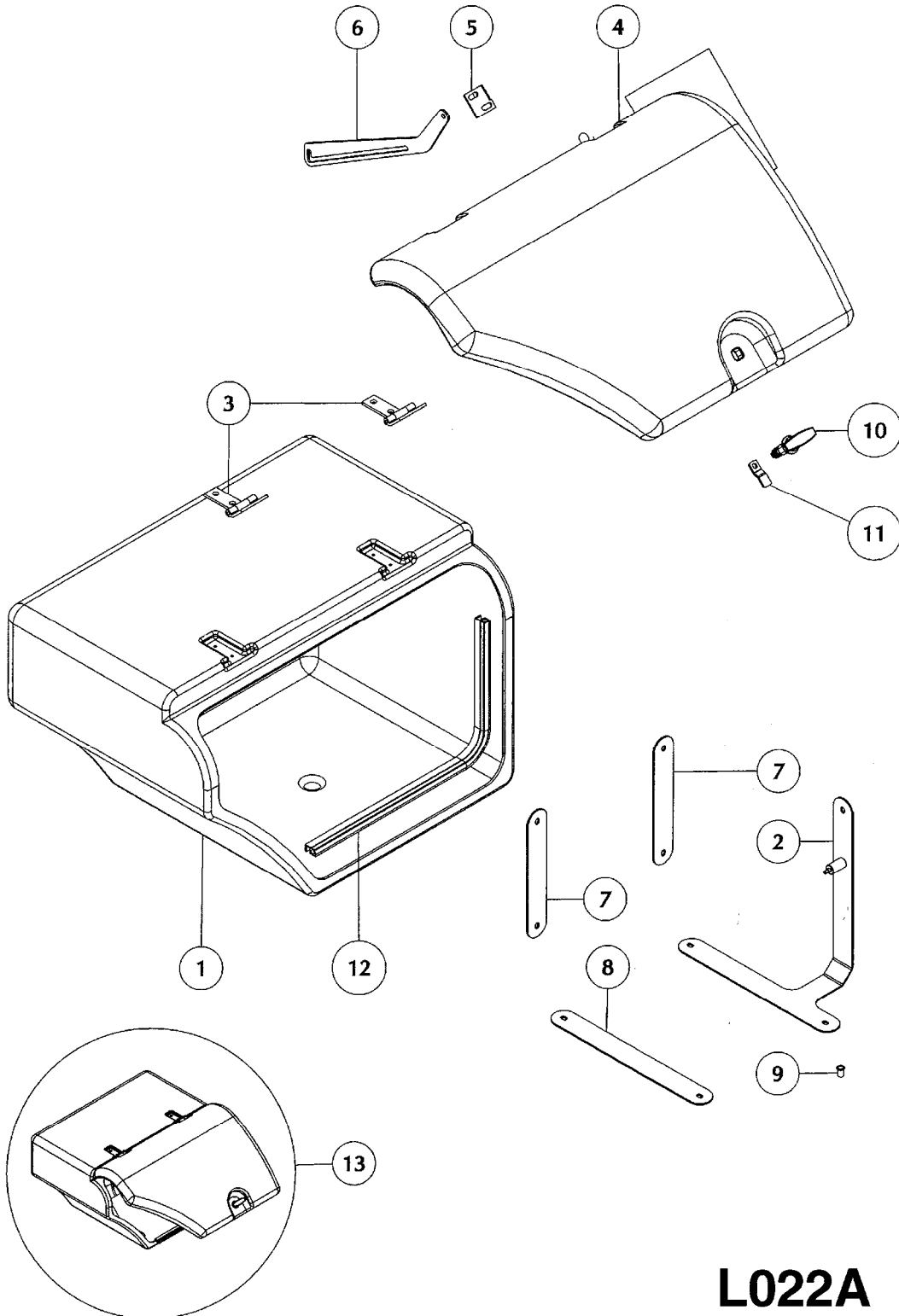
K0785



SMV/SPEED SIGNS & BRACKETS
K0785-HIN, 16:01:18

Page 1
Date 07.02.2020 8:00

Pos.	parts-n°	order qty	description
1	410185	1	BOLT HEX 8.8 DEL M6X16
2	410281	1	BOLT HEX 8.8 DEL M6X25 DIN933 A2
3	420582	1	BOLT HEX 8.8 DEL M8X20 FT A2
4	460261	1	NUT HEX M6X1.00 LOCK DIN985 A2 SS
5	470901	1	WASHER D11.8/D6.1X1.6 SS LOCK
6	10010803	1	NUT HEX NC (NYLON LOCK) 5/16
7	10497603	1	NUT HEX NC 1/4 NYLOCK Z
8	10601303	1	BOLT U 5/16'x 2'
9	10601403	1	SMV SIGN POLYSTYRENE
10	16170103	1	BRACKET, DECAL, SPEED LIMIT, PRESIDIO
11	17007203	1	MOUNT BKT. F. S.M.V. SIGN-03
12	45002203	1	SCREW TPH MS 1/4-20X1 ZNCLR
13	97616103	1	DECAL- SPEED 25 MPH
14	97617103	1	DECAL - SPEED 30 MPH



L022A

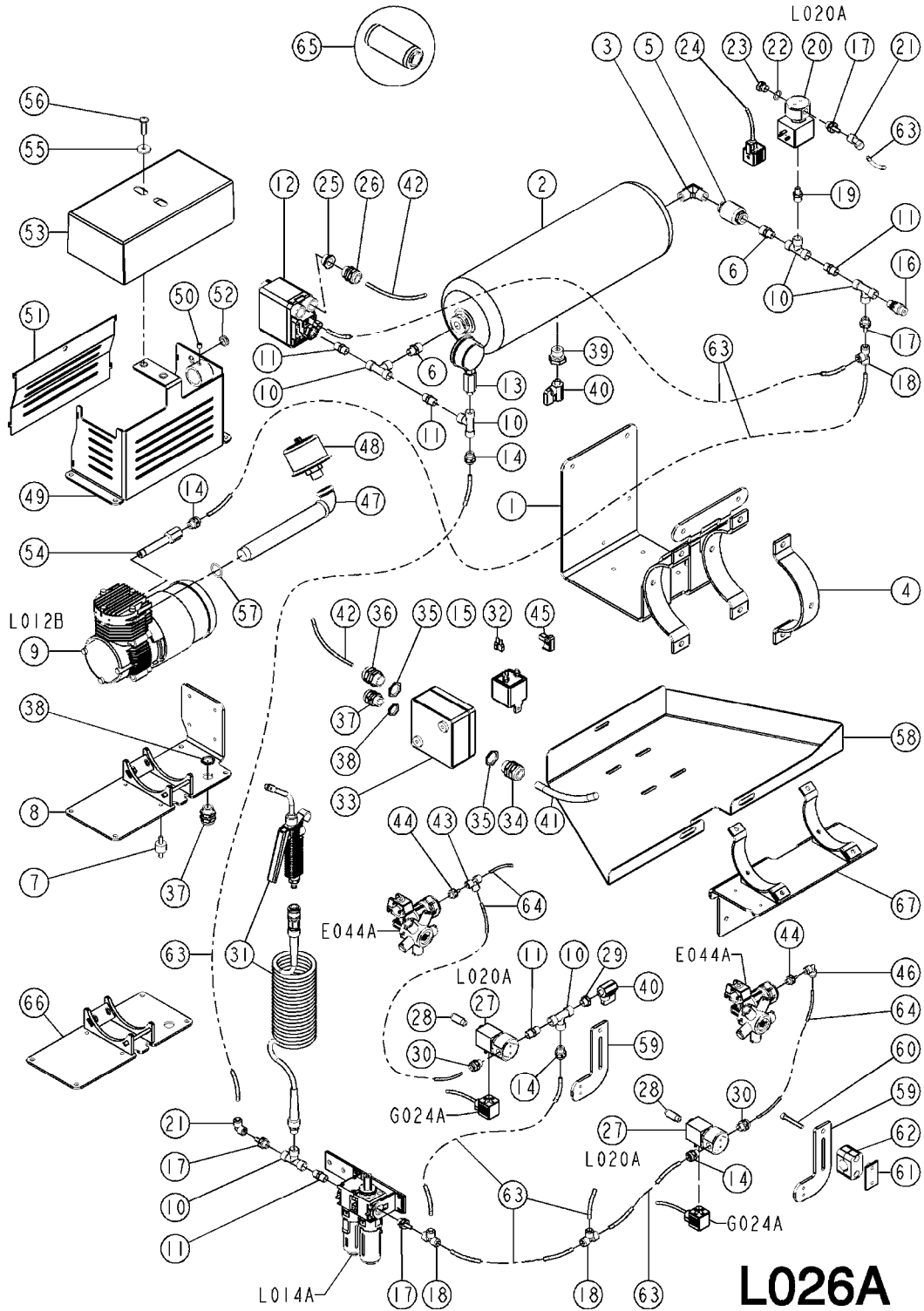


TOOLBOX ALPHA PLUS
L022A, 18:04:06

Page 1

Date 07.02.2020 8:00

Pos.	parts-n°	order qty	description
1	288516	1	CASE POLYETHY ALP34/41
2	618645	1	RENFORT BAS COFFRE ALPHA PLUS
3	288123	1	HINGE, DOOR, TOOLBOX R.SIDE, SARITOR
4	288570	1	CASE CAP ALP34/41
5	16204801	1	EQUERRE PORTE COFFRE ALPHA PLU
6	16204501	1	LATCH HANDLE SARITOR
7	16204701	1	RENFORT L240 COFFRE ALPHA PLUS
8	16204601	1	RENFORT L360 COFFRE ALP+ EP.3
9	468013	1	RIVET M8 T/CY 69020 8PO300IN
10	285792	1	LATCH LOCKER DOOR CM+
11	285795	1	LATCH PLATE LOCKER DOOR CM+
12	242474	1	SEAL 16X28XL=' LOCKER DOOR CM+
13	87909101	1	TOOL BOX FOR ALPHA





Pos.	parts-n°	order qty	description
1	618778	1	SUPPORT COMPRESSEUR ALP VTK
2	288770	1	AIR TANK 8 LITERS Ø150
3	78622101	1	ADAPTEUR DROIT 3/8 BSPT Alpha
3	AD10AB8000	1	ELBOW 90° MM G3/8 CR-S Varitrack
4	188095	1	1/2 COLLAR, AIR TANK
5	288230	1	CHECK VALVE I-IT10012 G3/8
6	RA15AA7262	1	STRAIGHT FITTING G3/8"M-G1/4"M 0121.17.13
7	248069	1	BLOCK ANTIVIBRATORY APA 2015
8	63005701	1	SUPPORT COMPRESSEUR AIR VTK
9	268671	1	COMPRESSOR KOA-MP80S2 OILESS
10	RA15AA7260	1	T PIECE, F-F-F, BSP1/4"
11	RA15AA7259	1	STRAIGHT FITTING BSP1/4" 0121-1313
12	268183	1	PRESSURE SWITCH XMP R12B 2133 OD12B
13	284269	1	PRESSURE GAUGE 0-8-16 BAR Ø2,5" 1/4"
14	RA15AA7234	1	MALE SIMPLE UNION Ø6mm-BSP1/4" PM010612E
15	268875	1	RELAY 180A 12V AV.18.00091
16	288228	1	SAFETY VALVE GHI-1/4-7 BAR
17	RA15AA7237	1	STRAIGHT FITTING Ø6mm-BSP1/4"
18	288548	1	FITTING TEE Ø6 PM0204E
19	288610	1	HYD. FIT. M-M 1/8"-1/4" RMA0121814
20	268593	1	SOLENOID VALVE E374052SVY+34600407
21	RA15AA7235	1	ELBOW Ø6 PM0306E
22	218068	1	SEAL COPPER 13.2X18X1.5
23	14010400	1	PLUG 1/4" BSP
24	268816	1	CONNECTOR+CABLE L1,5M 247592
25	268405	1	REDUCER SIB RED13/9 G6132002
26	268711	1	CABLE BULKHEAD Z0101300
27	268592	1	SOLENOID VALVE E374070SVP+34600406
28	278750	1	PNEU VALVE SILENCER BSP1/8"
29	RA15AA7232	1	STRAIGHT FITTING BSP1/4"M-1/8"F 0168.13.10
30	288660	1	FITTING G1/4"-Ø4 mm
31	SO15AA8000	1	AIR GUN+COIL L1,5M 20805
32	268851	1	TERMINAL F 6.3 0.25D1 0-0735278-0
33	268641	1	CONNECTION BOX LEG092020
34	268649	1	BULKHEAD PLASTIC Z0101600
35	268647	1	BULKHEAD NUT BRASS 16
36	268264	1	BULKHEAD MULTI-PLUG 16-2XD7
37	268650	1	BULKHEAD PLASTIC Z0101100
38	268644	1	BULKHEAD NUT BRASS 11
39	786821	1	HYD. FIT. M-F 1/2"-1/8" (RI1/2'EDX1/8'A3C)
40	RO02AA7239	1	VALVE MF 1/8" REF.0401.04.10
41	983612	1	CABLE 2X6² HO7RNF PIRE-TITA-LY
42	983610	1	CABLE 2X1,5MM² WIRE H05VVF
43	288801	1	FITTING TEE Ø4 PM0204E
44	RA15AA7240	1	STRAIGHT FITTING Ø4mm-BSP1/8"
45	26005901	1	JONCTION
46	RA15AA7236	1	ELBOW Ø4 PM0304E
47	618613	1	TUBE ASP COMPRESSEUR ELECT
48	288600	1	AIR FILTER BSP1/2" SA075G1L10A
48	27082201	1	FILTER ELEMENT 3 MICRON
49	618612	1	CARTER AV COMPRESSEUR ELECT
50	458077	1	VIS HC M8-10 CONIQ 45H DIN914
51	16185201	1	CARTER AR COMPRESSEUR ELECT
52	24000301	1	PASSE-FIL PVC 3516
53	16290101	1	COUVERCLE COMPRESSEUR ALP/MET
54	148399	1	RALLONGE G1/4 MF COMPRESSEUR
55	24003801	1	WASHER, RUBBER D8/D24X4
56	428003	1	SCREW CBHC 8-30/30 ISO 7380-1 SS A2
57	248193	1	O-RING 2.62 X 22.2 VITON



ELECTRIC PNEUMATIC CIRCUIT
ALPHA
L026A, 02:04:15

Page 2
Date 07.02.2020 8:00

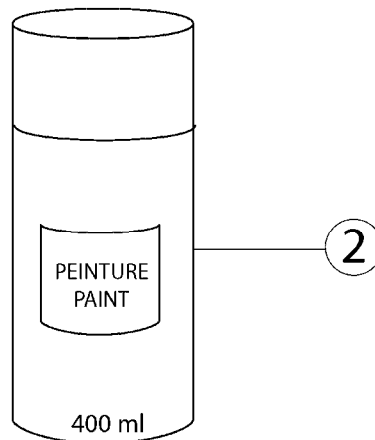
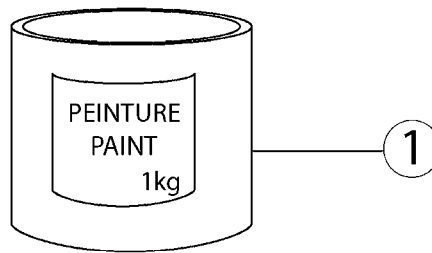
Pos.	parts-n°	order qty	description
58	16303001	1	CARTER PROT COMPRESSEUR ALPVTK
59	128024	1	SPRAYLINE & SOLENOID VALVE BRACKET
60	418003	1	BOLT CAP HEAD SOCKET M6X45/24 SS A2
61	786830	1	PLATE
62	786867	1	PIPE CLAMP 322-PP
62	786869	1	CLAMP 325 BLACK
63	981721	1	AIR HOSE, BLACK, Ø6X4
64	981722	1	AIR HOSE, BLACK, D4X2.7
65	RA15AA7228	1	DOUBLE UNION Ø4mm PM0404E
65	RA15AA7229	1	DOUBLE UNION Ø6mm PM0406E
66	638837	1	SUPPORT COMPRESSEUR ELECT
67	63067301	1	SUPPORT RESERVOIR PNEUM ALPEVO



PAINT
L038A, 10:09:13

Page 0

Date 07.02.2020 8:00



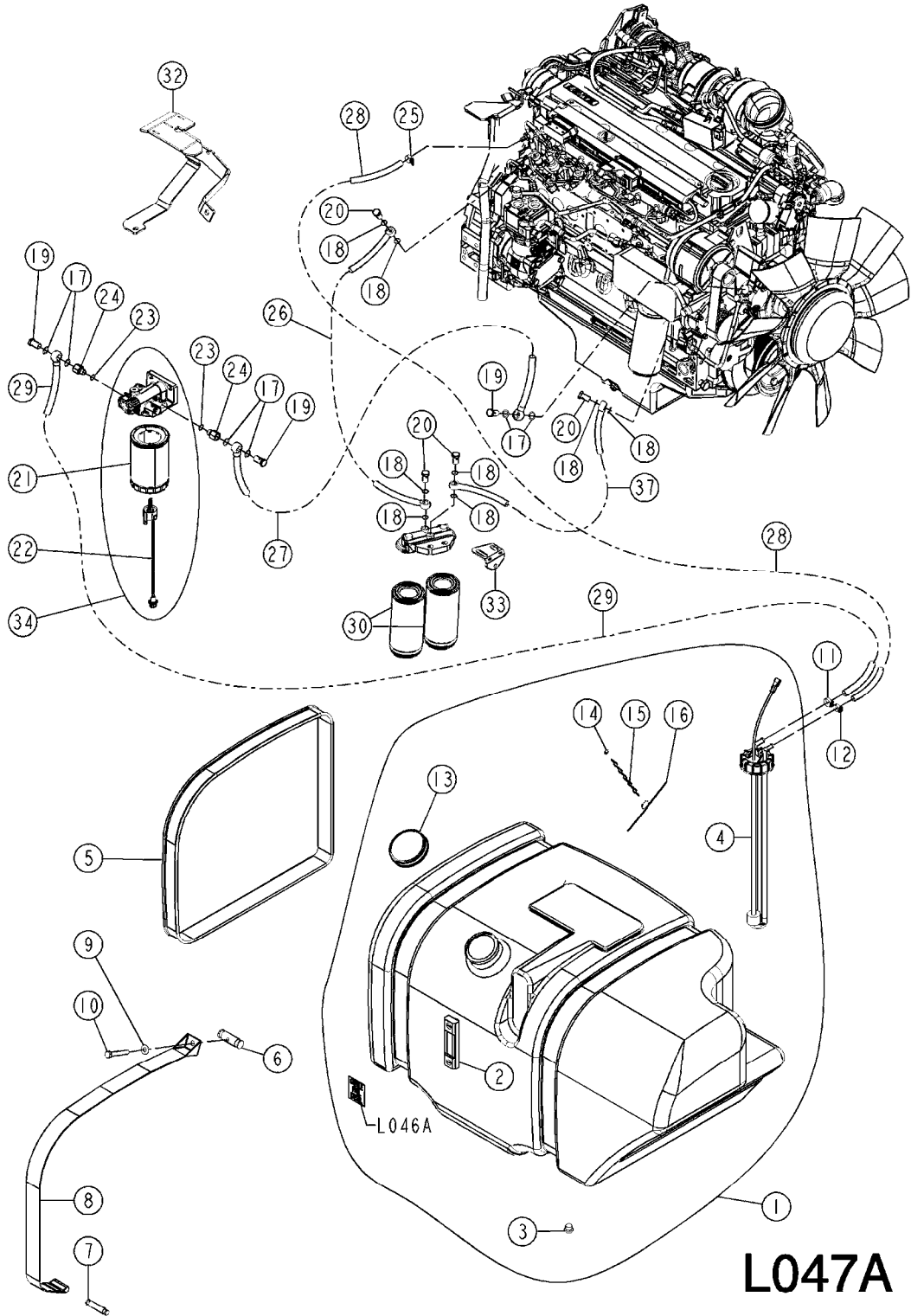
L038A



PAINT
L038A, 10:09:13

Page 1
Date 07.02.2020 8:00

Pos.	parts-n°	order qty	description
1	96200101	1	POT OF PAINT 1KG ROUGE RAL3011
1	962709	1	POT OF PAINT BLUE RAL5015 1KG
1	962725	1	POT OF PAINT GRIS RAL7043 1KG
2	96221200	1	AEROSOL SPRAY RAL3011 400ML
2	962704	1	AEROSOL SPRAY RED RAL3003 400ML
2	962721	1	AEROSOL SPRAY BLUE EVRARD>2003 400ML
2	96200601	1	AEROSOL SPRAY GREY RAL7037 400 ML
2	962701	1	AEROSOL SPRAY GREY RAL7043 400ML
2	96201001	1	AEROSOL SPRAY BLACK RAL9005 BRIGHT 520ML
2	96201101	1	AEROSOL SPRAY BLACK MATT 3% - RAL9005 520ML



L047A



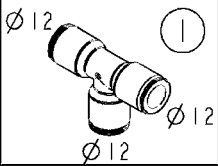
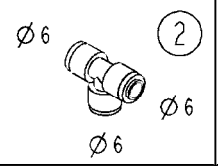
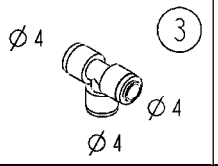
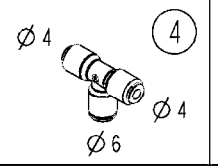
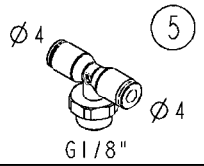
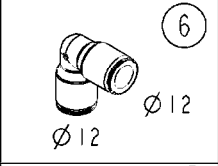
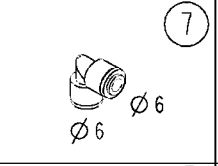
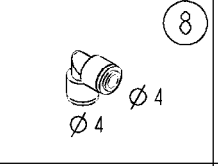
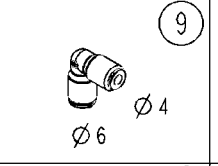
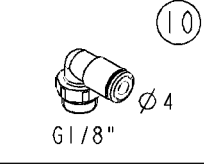
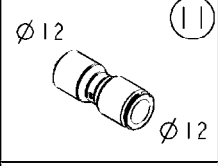
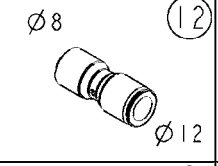
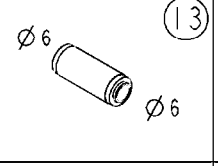
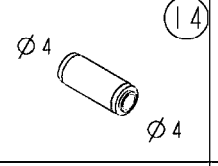
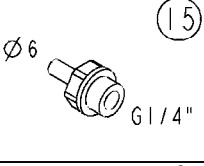
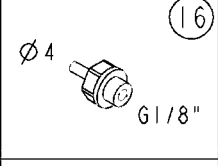
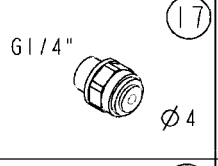
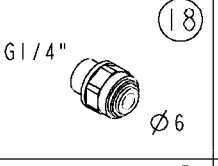
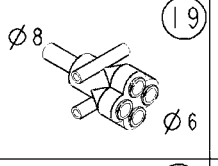
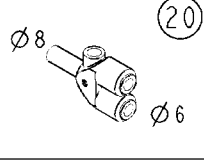
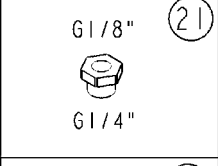
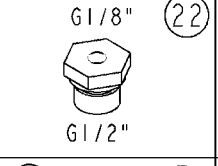
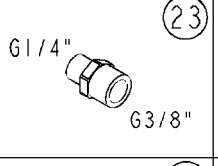
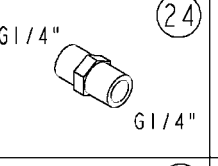
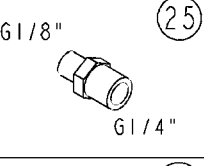
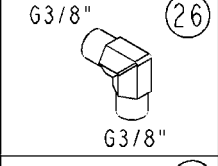
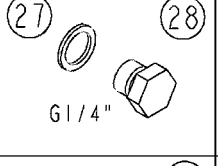
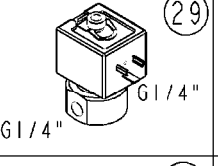
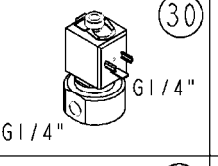
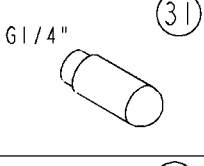
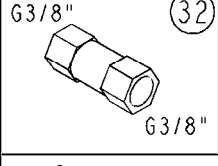
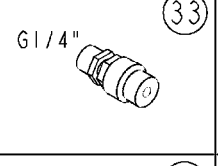
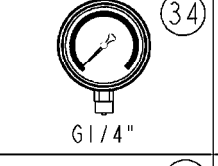
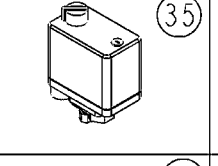
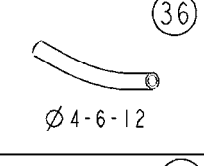
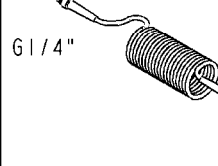
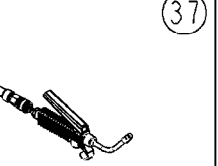
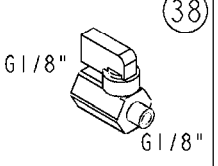
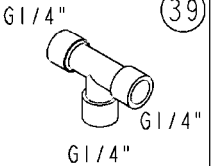
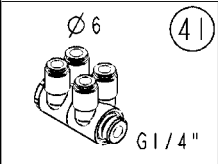
FUEL TANK ALPHA EVO T3B
L047A, 25:08:16

Page 1

Date 07.02.2020 8:00

Pos.	parts-n°	order qty	description
1	76013601	1	330 L FUEL TANK EQUIPPED ALPHA
2	288493	1	VISUAL SIGHT GAUGE CENTER DISTANCE 127 mm SCREW M1
3	786890	1	PLUG M18X1.5 ORA3C W/GASKET
4	26002401	1	FUEL SENSOR H582 ALPHA
5	24029601	1	STRIP WIDTH 60MM EPDM 70SH
6	148228	1	PIN Ø25 L80 TIGHTENER ALPHA
7	148229	1	PIN Ø16 L76 TIGHTENER ALPHA
8	618518	1	\$\$FUEL TANK STRAP
9	478037	1	WASHER M12U D12.5/D27X2.5 SS A2
10	438041	1	BOLT HEX M12X80 DEL 8.8 DIN933
11	288583	1	CLAMP S12-20/9 C7W1
12	288664	1	CLAMP S10-16/9 C7W1
13	278924	1	FUEL TANK PLASTIC CAP
14	228040	1	RING Ø15
15	198150	1	CHAIN DOUBLE LINK Ø1,1 L200
16	228039	1	LID RETAINER FOR CHAIN
17	218054	1	COPPER SEAL16,3X22X2
18	24008301	1	COPPER SEAL 14X18X2
19	458122	1	HOLLOW SCREW M16X1,5 DIN7643
20	VI90AA7138	1	HOLLOW SCREW M14X1,5 DIN7643
21	27009001	1	FUEL FILTER CARTRIDGE
22	27009101	1	FUEL PREFILTER SENSOR 04504704
23	24005601	1	O-RING, Ø13.8 F.HYD.FIT. M16X1,5
24	14002001	1	FITTING M/F M16X1,5 FORME E
25	288664	1	CLAMP S10-16/9 C7W1
26	#	1	# Consulter/contact Deutz
27	78467301	1	FUEL HOSE 1/2 BJ16-BJ16 L950
28	78466901	1	FUEL HOSE 3/8 BJ16-NU L4000
29	78467101	1	FUEL HOSE 1/2 BJ16-NU L3800
30	278793	1	FILTER - FUEL
32	16614101	1	SUPPORT PREFILTRE TCD T3B EVO
33	16394701	1	FUEL FILTER BRACKET ALPHA
34	27008901	1	DCR FUEL PREFILTER



 <p>1 Ø12 Ø12 Ø6</p>	 <p>2 Ø6 Ø6 Ø6</p>	 <p>3 Ø4 Ø4 Ø4</p>	 <p>4 Ø4 Ø6 Ø4</p>	 <p>5 Ø4 Ø4 G1/8"</p>
 <p>6 Ø12 Ø12</p>	 <p>7 Ø6 Ø6</p>	 <p>8 Ø4 Ø4</p>	 <p>9 Ø4 Ø6</p>	 <p>10 Ø4 G1/8"</p>
 <p>11 Ø12 Ø12</p>	 <p>12 Ø8 Ø12</p>	 <p>13 Ø6 Ø6</p>	 <p>14 Ø4 Ø4</p>	 <p>15 Ø6 G1/4"</p>
 <p>16 Ø4 G1/8"</p>	 <p>17 G1/4" Ø4</p>	 <p>18 G1/4" Ø6</p>	 <p>19 Ø8 Ø6</p>	 <p>20 Ø8 Ø6</p>
 <p>21 G1/8" G1/4"</p>	 <p>22 G1/8" G1/2"</p>	 <p>23 G1/4" G3/8"</p>	 <p>24 G1/4" G1/4"</p>	 <p>25 G1/8" G1/4"</p>
 <p>26 G3/8" G3/8"</p>	 <p>27 G1/4" G1/4"</p>	 <p>29 G1/4" G1/4"</p>	 <p>30 G1/4" G1/4"</p>	 <p>31 G1/4"</p>
 <p>32 G3/8" G3/8"</p>	 <p>33 G1/4" G1/4"</p>	 <p>34 G1/4"</p>	 <p>35</p>	 <p>36 Ø4-6-12</p>
 <p>37 G1/4"</p>	 <p>38 G1/8" G1/8"</p>	 <p>39 G1/4" G1/4"</p>	 <p>40 Ø4 G1/8"</p>	
 <p>41 Ø6 G1/4"</p>				

L048A

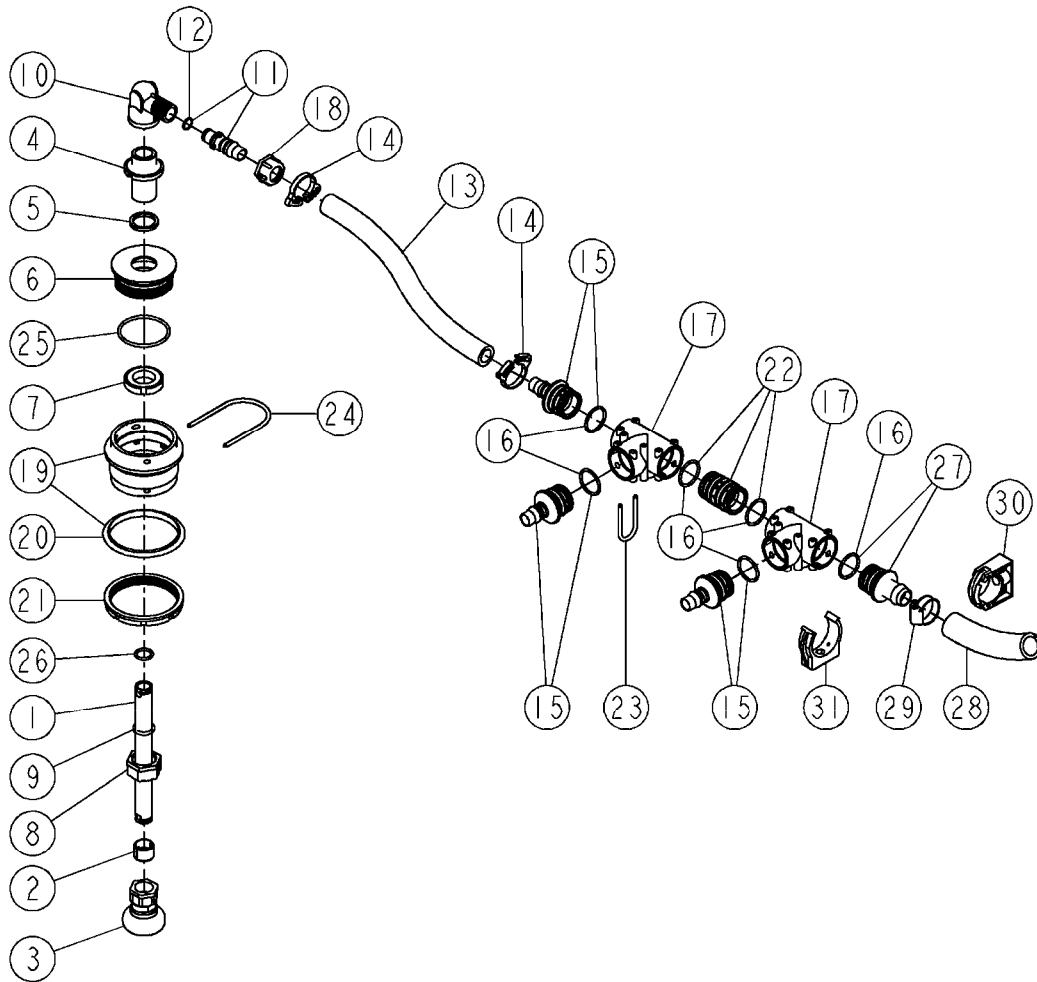


Pos.	parts-n°	order qty	description
1	28052301	1	T- PIECE Ø12 PM0212E
2	288548	1	FITTING TEE Ø6 PM0204E
3	288801	1	FITTING TEE Ø4 PM0204E
4	28045501	1	T-PIECE Ø4-4-6 PM3006AE
6	28052201	1	ELBOW Ø12 PM0312E
7	RA15AA7235	1	ELBOW Ø6 PM0306E
8	RA15AA7236	1	ELBOW Ø4 PM0304E
9	28045601	1	ELBOW 90° Ø4-6 PM210604E
10	28050601	1	ELBOW 90° Ø4 BSP1/8" MALE
11	28066701	1	UNION DOUBLE EGALE 3106 12 00
12	28054101	1	INEGAL DOUBLE UNION 3106 08 12
13	RA15AA7229	1	DOUBLE UNION Ø6mm PM0406E
14	RA15AA7228	1	DOUBLE UNION Ø4mm PM0404E
15	RA15AA7237	1	STRAIGHT FITTING Ø6mm-BSP1/4"
16	RA15AA7240	1	STRAIGHT FITTING Ø4mm-BSP1/8"
17	288660	1	FITTING G1/4"-Ø4 mm
18	RA15AA7234	1	MALE SIMPLE UNION Ø6mm-BSP1/4" PM010612E
19	28054301	1	DOUBLE REDUCER Y 3143 06 08
20	28054201	1	REDUCER Y 3142 06 08
21	RA15AA7232	1	STRAIGHT FITTING BSP1/4"M-1/8"F 0168.13.10
22	786821	1	HYD. FIT. M-F 1/2"-1/8" (RI1/2'EDX1/8'A3C)
23	RA15AA7262	1	STRAIGHT FITTING G3/8"M-G1/4"M 0121.17.13
24	RA15AA7259	1	STRAIGHT FITTING BSP1/4'" 0121-1313
25	288610	1	HYD. FIT. M-M 1/8"-1/4" RMA0121814
26	AD10AB8000	1	ELBOW 90° MM G3/8 CR-S
27	218068	1	SEAL COPPER 13.2X18X1.5
28	14010400	1	PLUG 1/4" BSP
29	268593	1	SOLENOID VALVE E374052SVY+34600407
30	268592	1	SOLENOID VALVE E374070SVP+34600406
31	278466	1	PNEU VALVE SILENCER BSP1/4"
31	278750	1	PNEU VALVE SILENCER BSP1/8"
32	288230	1	CHECK VALVE I-IT10012 G3/8
33	288228	1	SAFETY VALVE GHI-1/4-7 BAR
34	284269	1	PRESSURE GAUGE 0-8-16 BAR Ø2,5" 1/4"
34	284831	1	PRESSURE GAUGE 0-8-16 BAR Ø3,92" 1/4"
35	268183	1	PRESSURE SWITCH XMP R12B 2133 0D12B
36	98100101	1	BLUE AIR TUBE Ø4X2,7
36	98100201	1	GREEN AIR TUBE Ø4X2,7
36	98100301	1	RED AIR TUBE Ø4X2,7
36	98100401	1	YELLOW AIR TUBE Ø4X2,7
36	981722	1	AIR HOSE, BLACK, D4X2.7
36	981721	1	AIR HOSE, BLACK, Ø6X4
36	98100901	1	BLACK AIR TUBE Ø12X9
37	SO15AA8000	1	AIR GUN+COIL L1,5M 20805
38	RO02AA7239	1	VALVE MF 1/8" REF.0401.04.10
39	RA15AA7260	1	T PIECE, F-F-F, BSP1/4"
39	28059401	1	T- PIECE 4-4-G1/8" 3198 04 10
40	28043201	1	UNION FEMALE Ø4-1/8 PM450411E
41	28050501	1	4-PIN CONNECTOR 7642 02-6-1/4



TANK RINSE NOZZLE (SHORT)
I040A, 20:06:12

Page	0
Date	07.02.2020 8:00



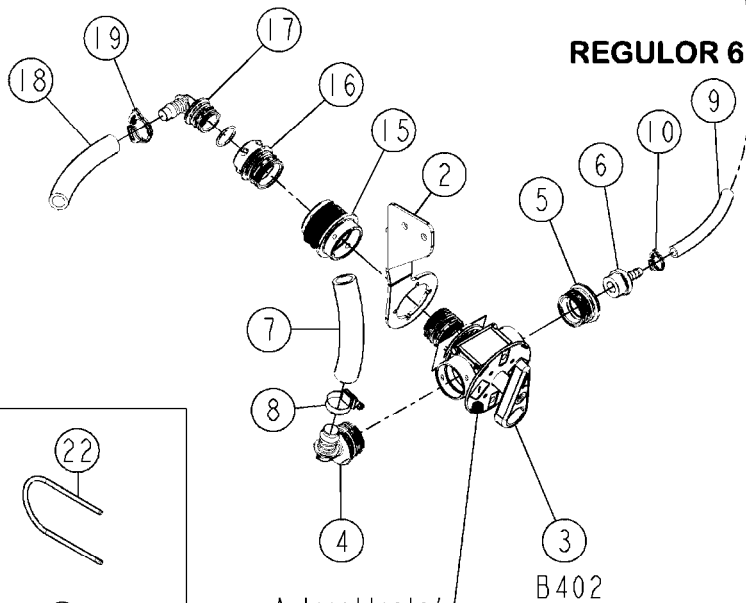
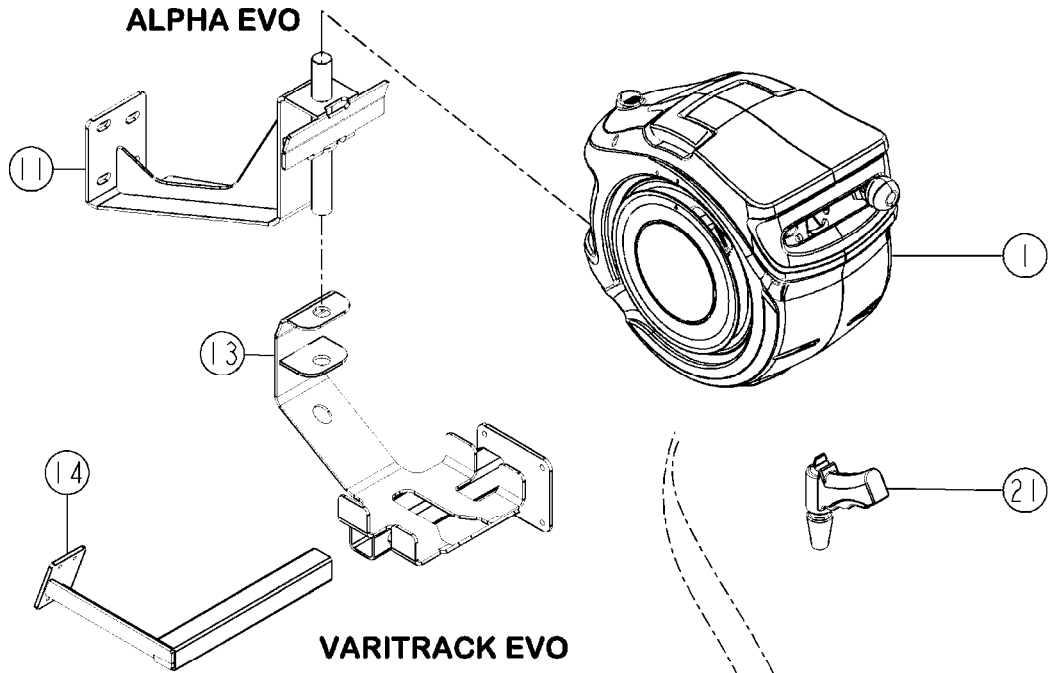
I040A



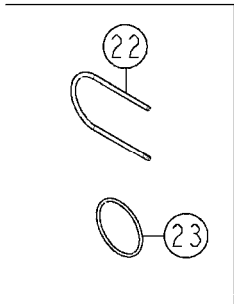
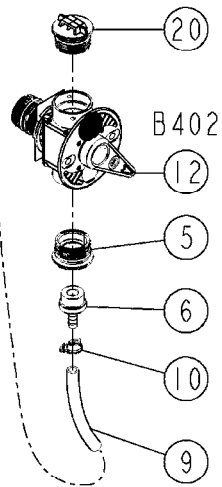
TANK RINSE NOZZLE (SHORT)
I040A, 20:06:12

Page 1
Date 07.02.2020 8:00

Pos.	parts-n°	order qty	description
1	341106	1	TUBE F.RINSE NOZZLE L=220
1	61088700	1	NOZZLE TUBE Ø22X350
1	614647	1	NOZZLE TUBE L=600mm NO HOLES
2	321484	1	BUSHING THREADED F.NOZZ.TUBE
3	728014	1	RINSE NOZZLE MOUNTED
4	320456	1	FITT.DK BULKHEAD 1"BSP DOUBLE
5	332577	1	O-RING D38/D30X4 F.1" PUR.
6	390485	1	FITT.DK S-93 PLUG W D34 HOLE
7	320471	1	FITT.DK NUT 1" BSP JAMB
8	320574	1	FITT.DK NUT 1" BSP SPECIAL
9	240306	1	O-RING D29/D21X4
10	320342	1	FITT.DK EL 3/4"M X 1"F BSP
11	724621	1	FITT.DK HB 3/4"ASSY F.3/4" NUT
12	242594	1	O-RING D14 X 1.78 SCH.70-EPDM
13	927032	1	HOSE R X 60 BAR X 3/4 X 0012"
14	334531	1	CLAMP HOSE PLASTIC 3/4"
15	726558	1	FITT.DK S53 STR. 3/4" W.ORING
15	726570	1	FITT.DK S-53 ELB.3/4" W.ORING
16	242354	1	O-RING D32.2X3.0 VITON
17	322352	1	FITT.DK S-53 TEE
18	320283	1	FITT.DK NUT 3/4"BSP
19	726465	1	FITT.DK S-93 BULKHEAD W/GASKET
20	334262	1	GASKET F.S-93 BULKHEAD
21	322109	1	FITT.DK S-93 BULKHEAD NUT
22	72114300	1	FITT. DK S-53 MALE MALE W.ORIN
23	145995	1	FITT.DK S-53 FORK
24	145997	1	FITT.DK S-93 FORK
25	248312	1	O-RING 3,53 X 63,09
26	242355	1	O-RING D19.2X3.0 VITON F.S-40
27	726559	1	FITT DK. S-53 HB 1" W/O-RING
28	927709	1	HOSE Ø25 RUBBER 15 BAR AC15 Alimentation/input
29	288125	1	CLAMP 25-40/12 C7W4
30	288091	1	ATTACHMENT COLLAR PEHD Ø40
31	334523	1	PIPE HOLDER Ø51.5



HC9500
HC9600



Autocollants/
stickers
L041A-Easydrive
L046A-Ecodrive

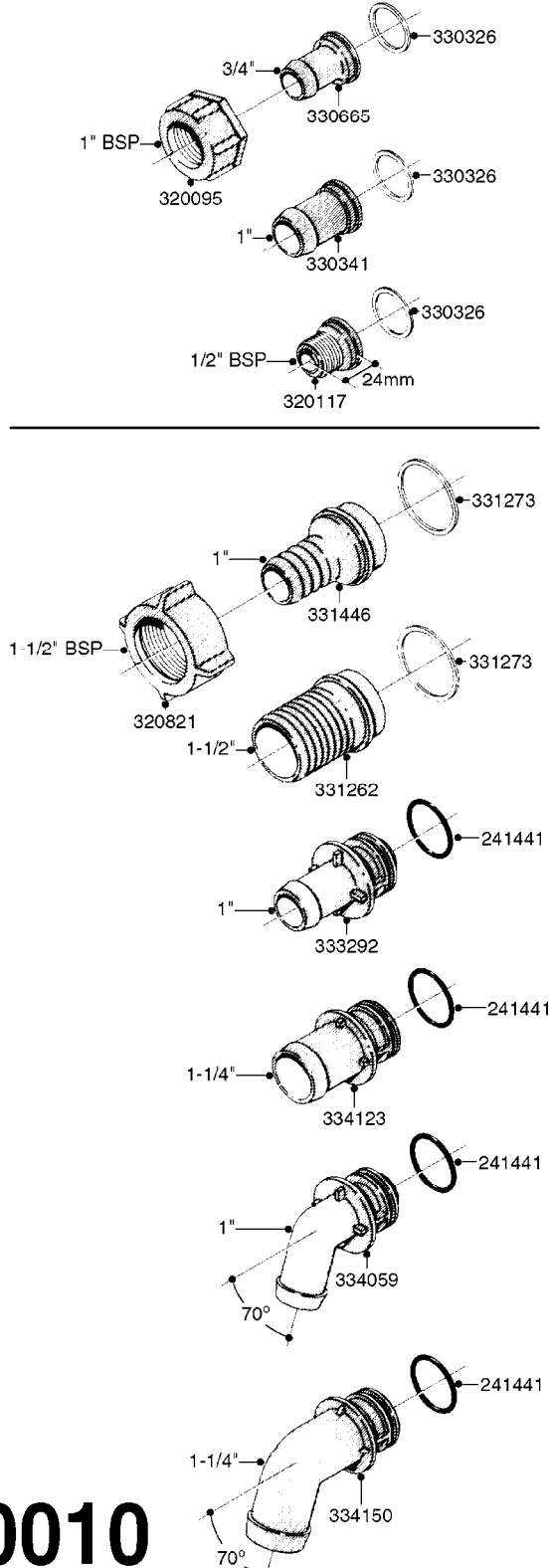
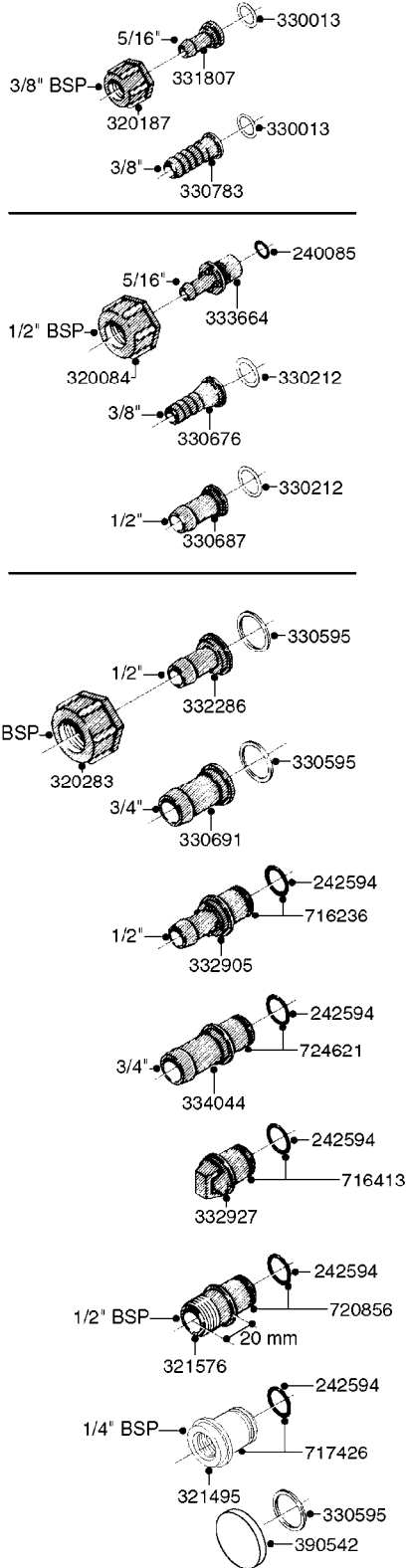
I067A



AUTO REEL ALPHA EVO
I067A, 16:04:15

Page 1
Date 07.02.2020 8:00

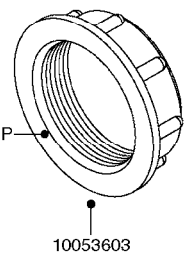
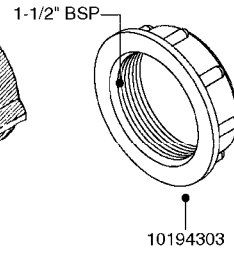
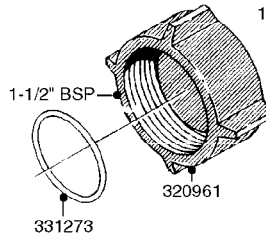
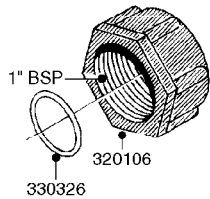
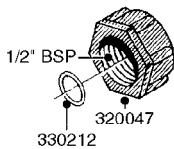
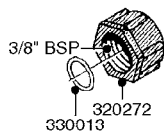
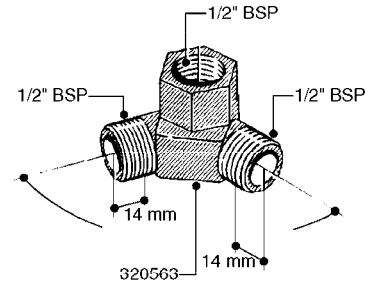
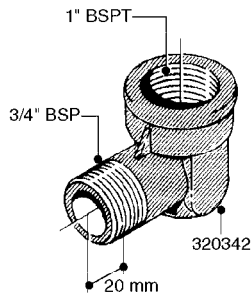
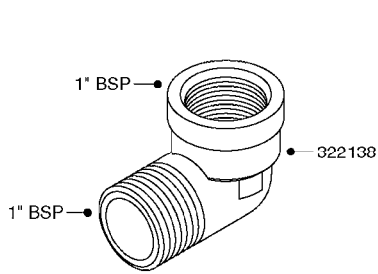
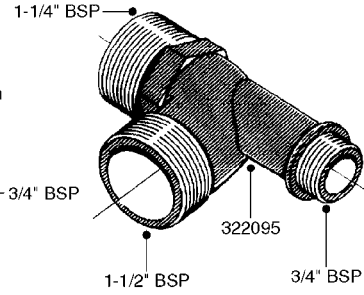
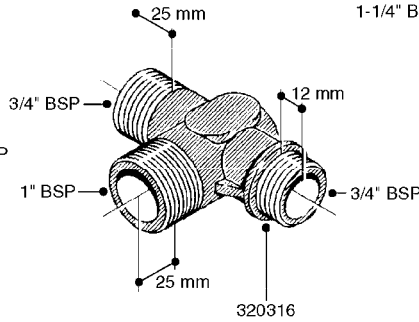
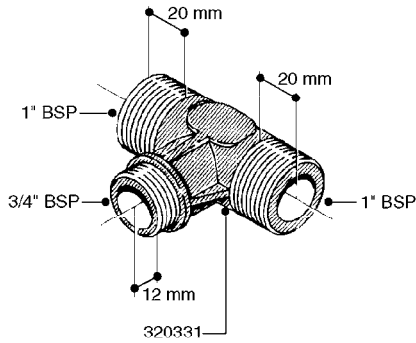
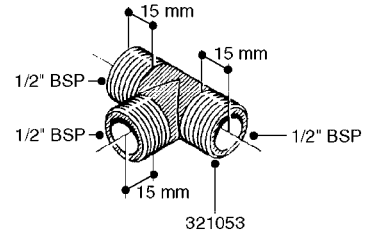
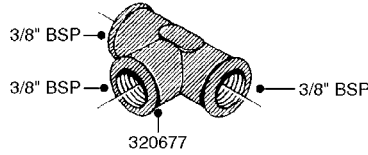
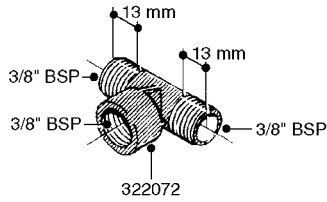
Pos.	parts-n°	order qty	description
1	28080901	1	AUTOMATIC HOSE REEL 30M GREY/YELLOW
2	16366001	1	VALVE BRACKET FOR REEL ALPHA
3	728391	1	VALVE S67 PRESSURE MANIFOLD
4	334243	1	FITT.DK S-67 ELB.1"
4	726570	1	FITT.DK S-53 ELB.3/4" W.ORING
5	322132	1	FITTING S67- BSP1" F
6	398184	1	HOSE TAIL G1" FOR HOSE Ø12
7	927124	1	HOSE R X 60 BAR X 1 X 0012"
7	927032	1	HOSE R X 60 BAR X 3/4 X 0012"
8	288125	1	CLAMP 25-40/12 C7W4
9	927717	1	HOSE D12.7X19 BEIGE 20B
10	334533	1	CLAMP HOSE PLASTIC 3/8"
11	63044901	1	BLUE/GREY REEL BRACKET, ALPHA Jusqu'au/until n°56950
11	63115801	1	YELLOW/GREY REEL BRACKET, ALPEVO II A partir du/from n°56951
12	72283600	1	VALVE S67 AGITATION NCM
13	63018901	1	BRACKET F. REEL VARITRACK
14	61001901	1	SUPPORT HYDRO-REMPLEISSEUR VTK
15	726464	1	FITT.DK S-67 BULKHEAD W/GASKET
16	334564	1	FITT.DK S-67 TO S-53 ADAPTER
17	726570	1	FITT.DK S-53 ELB.3/4" W.ORING
18	927032	1	HOSE R X 60 BAR X 3/4 X 0012" Vers vanne Polmac / To Polmac valve
19	334531	1	CLAMP HOSE PLASTIC 3/4"
20	334250	1	FITT.DK S-67 PLUG
21	27004201	1	GUN MULTIJET 2690 6001
22	145995	1	FITT.DK S-53 FORK
22	145996	1	FITT.DK S-67 FORK
23	242354	1	O-RING D32.2X3.0 VITON S53
23	242053	1	O-RING 3 X 44.2 90SH NITRIL S67



L0010



parts-n°	order qty	description
240085	1	O-RING D13,1/8,3X02,4 NITRIL
241441	1	O-RING D29.3X3
242594	1	O-RING D14 X 1.78 SCH.70-EPDM
320084	1	FITT.DK NUT 1/2" BSP
320095	1	FITT.DK NUT 1" BSP
320117	1	FITT.DK CONN.1/2"BSP F. 1" CAP
320187	1	FITT.DK CAP 3/8" BSP BLACK
320283	1	FITT.DK NUT 3/4"BSP
320821	1	FITT.DK NUT 1-1/2" BSP
321495	1	FITT.DK REDUC 1/4'BSP F.3/4'NT
321576	1	FITT.DK CONN 1/2"BSP F.3/4"NUT
330013	1	O-RING 2.5 X 10 PUR
330212	1	O-RING D19/D14X2.4 F.1/2"NUT
330326	1	O-RING D30/D24X2 F.1"NUT
330341	1	FITT.DK HB 1" F. 1" NUT
330595	1	O-RING D24.6/D20X2.1 -3/4"
330665	1	FITT.DK HB 3/4"F.1" NUT
330676	1	FITT.DK HB 3/8" F. 1/2" NUT
330687	1	FITT.DK HB 1/2" F. 1/2" NUT
330691	1	FITT.DK HB 3/4'F.3/4' NUT
330783	1	FITT.DK HB 3/8"F.3/8" NUT
331262	1	FITT.DK HB 1-1/2" F. 1-1/2"NUT
331273	1	O-RING D44/D38X2 F.1-1/2"
331446	1	FITT.DK HB 1" F.1-1/2" NUT
331807	1	FITT.DK HB 5/16" F.3/8" NUT
332286	1	FITT.DK HB 1/2" F. 3/4" NUT
332905	1	FITT.DK HB 1/2" F. 3/4" CAP
332927	1	FITT.DK PLUG F. NOZZLE TUBE
333292	1	FITT.DK HB 1"O'RING F.1-1/2"
333664	1	FITT.DK HB 5/16' F. 1/2' NUT
334044	1	FITT.DK HB 3/4' F. 3/4' CAP
334059	1	FITT.DK EL 1" 110 DEG.F.1-1/2"
334123	1	FITT.DK HB 1-1/4"O-RNG F.1-1/2"
334150	1	FITT.DK HB 1-1/4" 110 F.1-1/2"
390542	1	PLUG WASHER FOR 3/4'CAP NUT
716236	1	FITT.DK HB 1/2" ASSY. F. 3/4"
716413	1	FITT.DK PLUG ASSY. F.NOZ TUBE
717426	1	FITT.DK REDUC 1/4"BSP F.3/4"N
720856	1	FITT.DK 1/2'BSP ASSY.F.3/4'NUT
724621	1	FITT.DK HB 3/4"ASSY F.3/4" NUT



L0020



FITTINGS-T-PIECES, CAPS & ELBOWS
L0020-HIN, 01:01:16

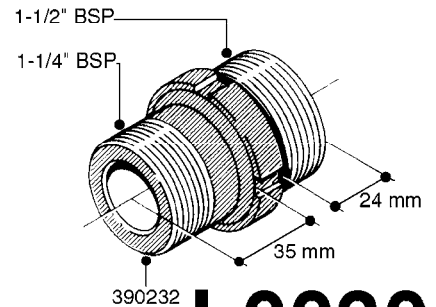
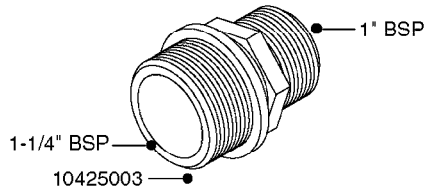
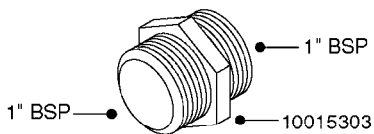
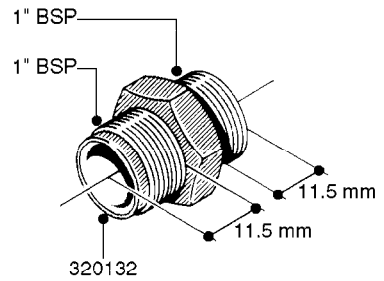
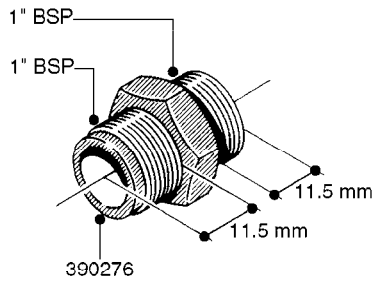
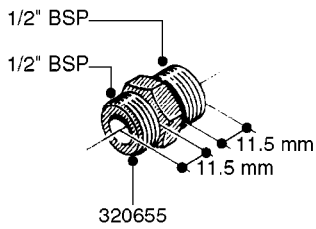
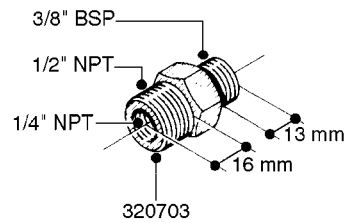
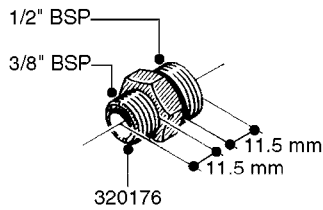
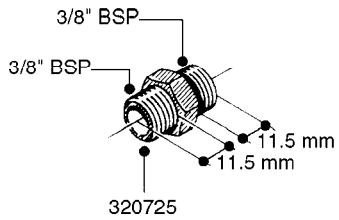
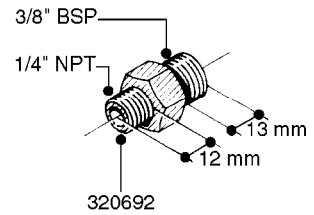
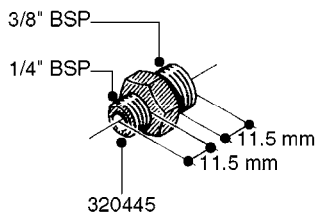
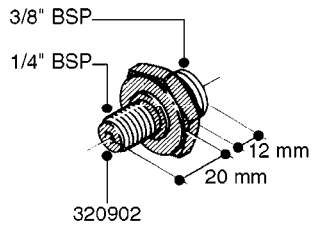
Page 1
Date 07.02.2020 8:00

parts-n°	order qty	description
10053603	1	FITT. CAPNUT 2"BSP 5601
10194303	1	CAP BLANK 1 1/2 MCPHEE 210060
320047	1	FITT.DK CAPNUT 1/2" BSP
320106	1	FITT.DK CAPNUT 1" BSP
320272	1	FITT.DK CAPNUT 3/8" BSP
320316	1	FITT.DK TEE 3/4" X3/4" X1"BSP
320331	1	FITT.DK TEE 1" - 1" - 3/4" BSP
320342	1	FITT.DK EL 3/4"M X 1"F BSP
320563	1	FITT.DK 3 WAY 1/2" 110 DEG.
320677	1	NO LONGER AVAILABLE
320961	1	FITT.DK CAPNUT 1-1/2" BSP
321053	1	FITT.DK TEE 1/2 X1/2 X1/2" BSP
322072	1	FITT.DK TEE 3/8'X3/8'X3/8' BSP
322095	1	FITT.DK TEE 1-1/2 X1-1/4 X3/4" BSP
322138	1	FITT.DK ELB 1"M X 1"F BSP
330013	1	O-RING 2.5 X 10 PUR
330212	1	O-RING D19/D14X2.4 F.1/2"NUT
330326	1	O-RING D30/D24X2 F.1"NUT
331273	1	O-RING D44/D38X2 F.1-1/2"



FITTINGS - HEXAGON NIPPLES
L0030-HIN, 01:01:16

Page 0
Date 07.02.2020 8:00



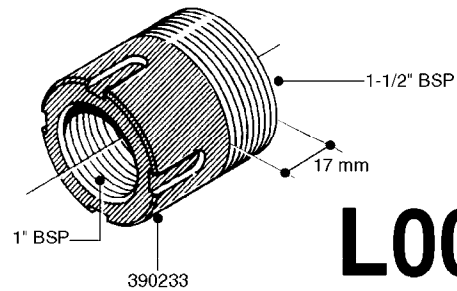
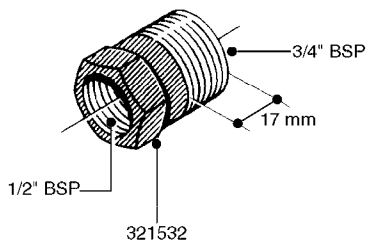
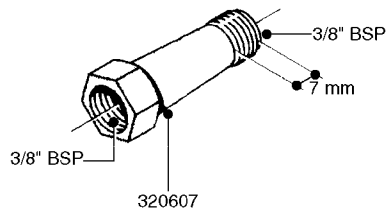
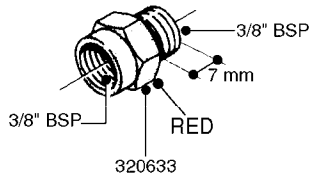
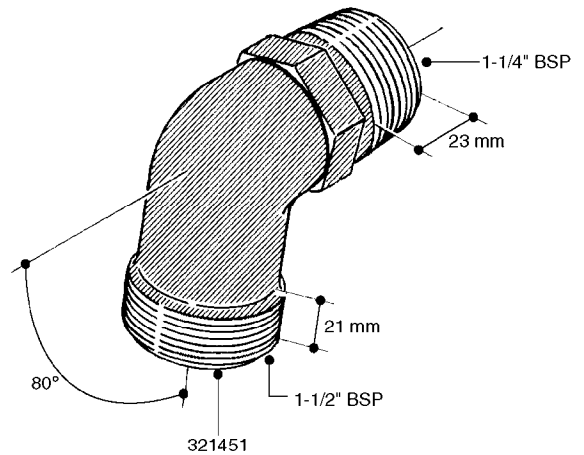
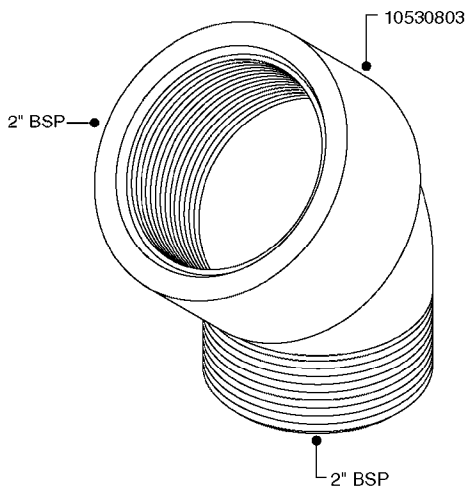
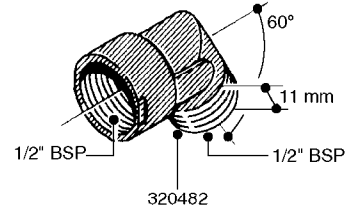
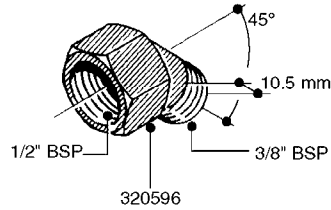
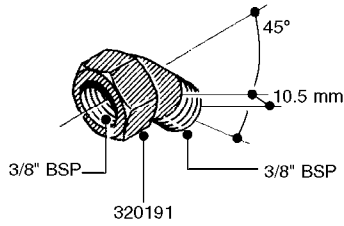
L0030



FITTINGS - HEXAGON NIPPLES
L0030-HIN, 01:01:16

Page 1
Date 07.02.2020 8:00

parts-n°	order qty	description
10015303	1	FITT.PO.HN 1.00X1.00 M1000
10425003	1	FITT.PO.HN 1.25X1.00 MCPHEE
320132	1	FITT.DK HN 1" BSP
320176	1	FITT.DK HN 3/8"X1/2" BSP
320445	1	FITT.DK HN 1/4"X3/8" BSP
320655	1	FITT.DK HN 1/2"-1/2" BSP
320692	1	FITT.DK HN 3/8'BSPX1/4'NPT
320703	1	FITT.DK HN 3/8BSP X1/2 &1/4NPT
320725	1	FITT.DK NIPPLE 3/8"-3/8" BSP
320902	1	FITT.DK HN 3/8'X 1/4' BSP
390232	1	FITT.DK HN 1-1/2' X 1-1/4' BSP
390276	1	FITT.DK HN 1'BSP



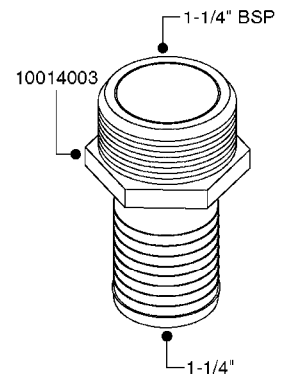
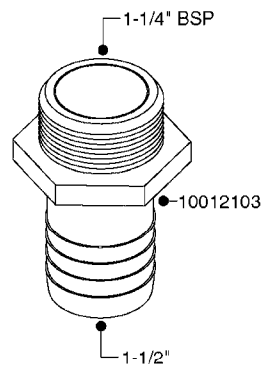
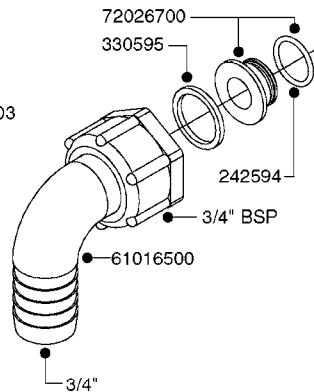
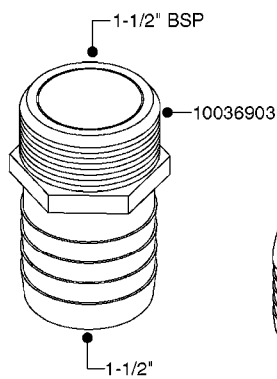
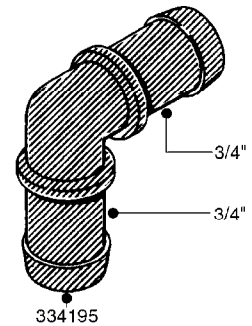
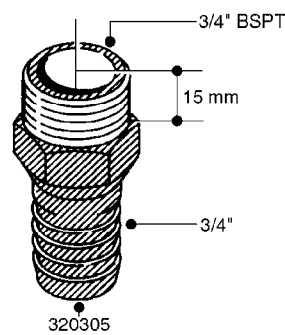
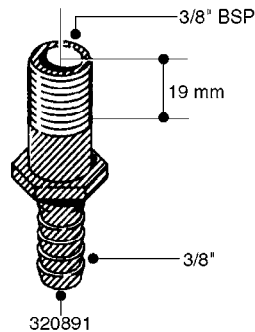
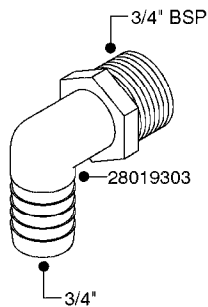
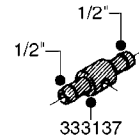
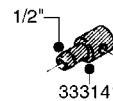
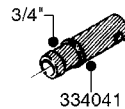
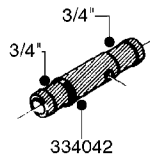
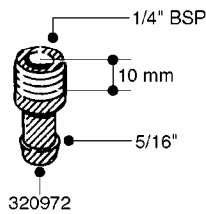
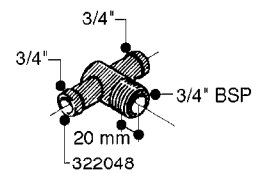
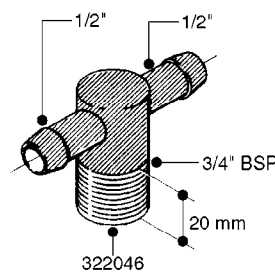
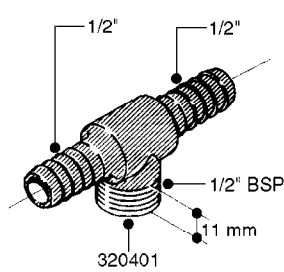
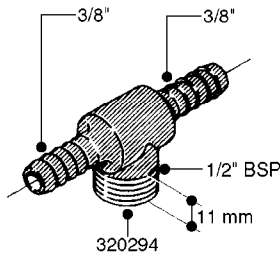
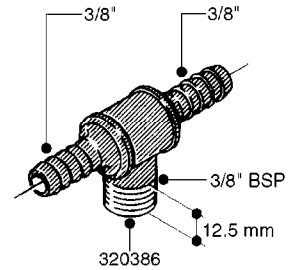
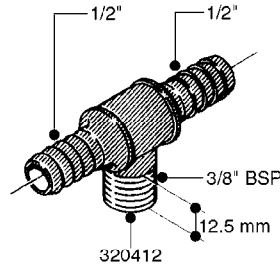
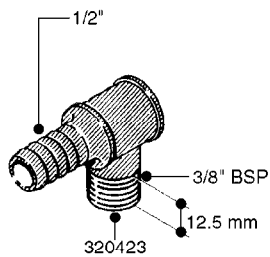
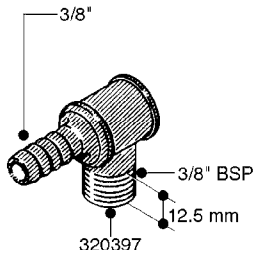
L0040



FITTINGS - NIPPLES & ELBOWS
L0040-HIN, 01:01:16

Page 1
Date 07.02.2020 8:00

parts-n°	order qty	description
10530803	1	FITT.PO.SE 2.00X2.00 45 DEG.
320191	1	FITT.DK ELB 3/8' BSP 45 DEGREE
320482	1	FITT.DK ELB. 1/2" BSP 60 DEG.
320596	1	FITT.DK ELB 3/8'-1/2'BSP 45DEG
320607	1	FITT.DK HN 3/8M X 3/8F BSP LNG
320633	1	FITT.DK HN 3/8"M X 3/8"F BSP
321451	1	FITT.DK ELB.1-1/2 X1-1/4 80DEG
321532	1	FITT.DK REDUC 3/4' X 1/2' BSP
390233	1	FITT.DK REDUC 1-1/2" X 1" BSP



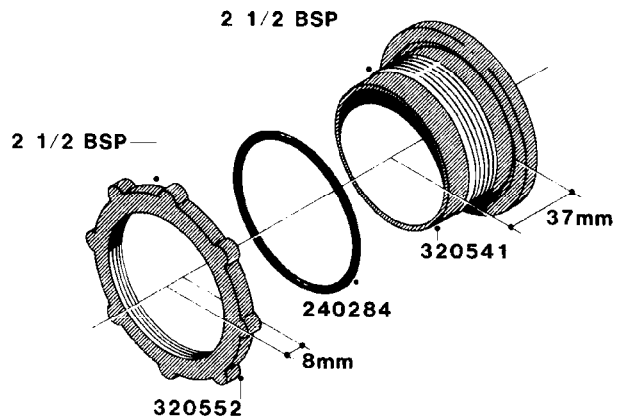
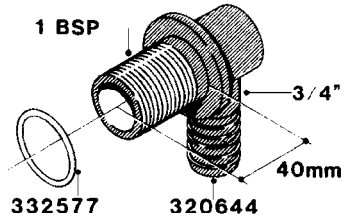
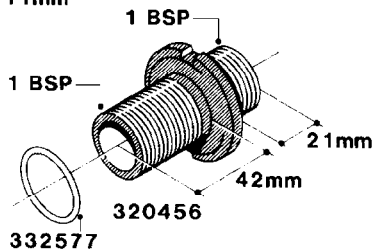
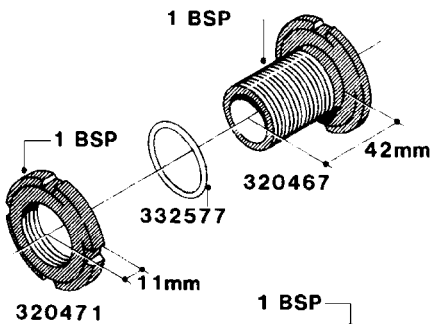
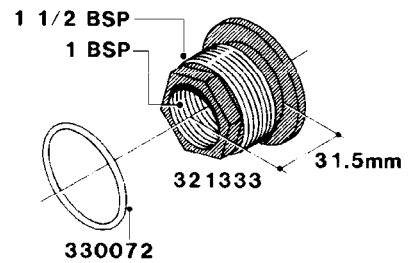
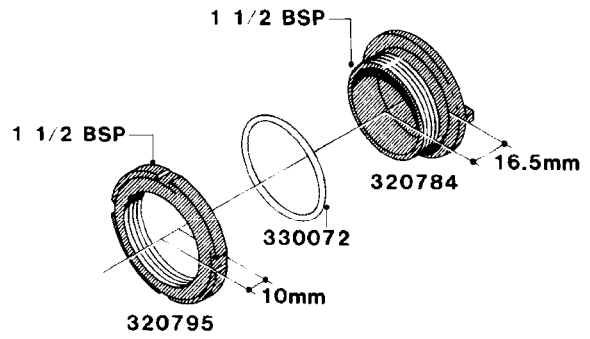
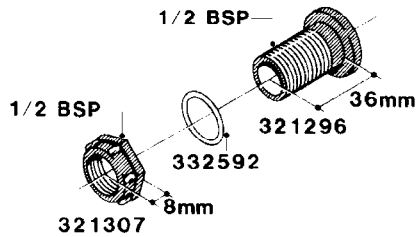
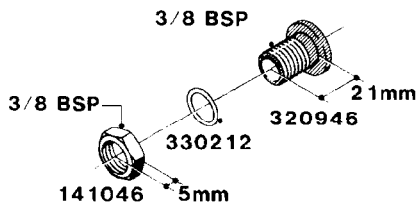
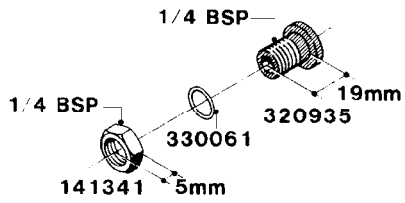
L0050



FITTINGS - HOSE CONNECTORS
L0050-HIN, 01:01:16

Page 1
Date 07.02.2020 8:00

parts-n°	order qty	description
242594	1	O-RING D14 X 1.78 SCH.70-EPDM
320294	1	FITT.DK TEE 3/8X3/8HB X1/2"BSP
320305	1	FITT.DK HB 3/4'- 3/4' BSP
320386	1	FITT.DK TEE 3/8X3/8HB X3/8"BSP
320397	1	FITT.DK ELB 3/8"HB X 3/8" BSP
320401	1	FITT.DK TEE 1/2X1/2HB X1/2"BSP
320412	1	FITT.DK TEE 1/2X1/2HB X3/8'BSP
320423	1	FITT.DK ELB 1/2'HB X 3/8' BSP
320891	1	FITT.DK HB 3/8'- 3/8' BSP
320972	1	FITT.DK HB 5/16'- 1/4' BSP
322046	1	FITT.DK TEE 1/2X1/2HB X3/4'BSP
322048	1	FITT.DK TEE 3/4X3/4HB X3/4'BSP
330595	1	O-RING D24.6/D20X2.1 -3/4"
333137	1	FITT.DK CONN.1/2" F.NOZZ. DOUB
333141	1	FITT.DK CONN.1/2" F.NOZZ.SING
334041	1	FITT.DK CONN.3/4' F.NOZZ. SING
334042	1	FITT.DK CONN.3/4' F.NOZZ. DOUB
334195	1	FITT.DK ELB. 3/4"HB X 3/4"HB
10012103	1	FITT.PO.HB 1.25X1.50 IMB1012
10014003	1	FITT.PO.HB 1.25X1.25 IMB1010
10036903	1	FITT.PO.HB 1.50X1.50 IMB1212
28019303	1	FITTING HB ELB 3/4NPT-3/4HOSE
61016500	1	HOSE TAIL 3/4" 90°+RG CAP 3/4"
72026700	1	NOZZLE TUBE ADAPTER W/O-RING



L0060

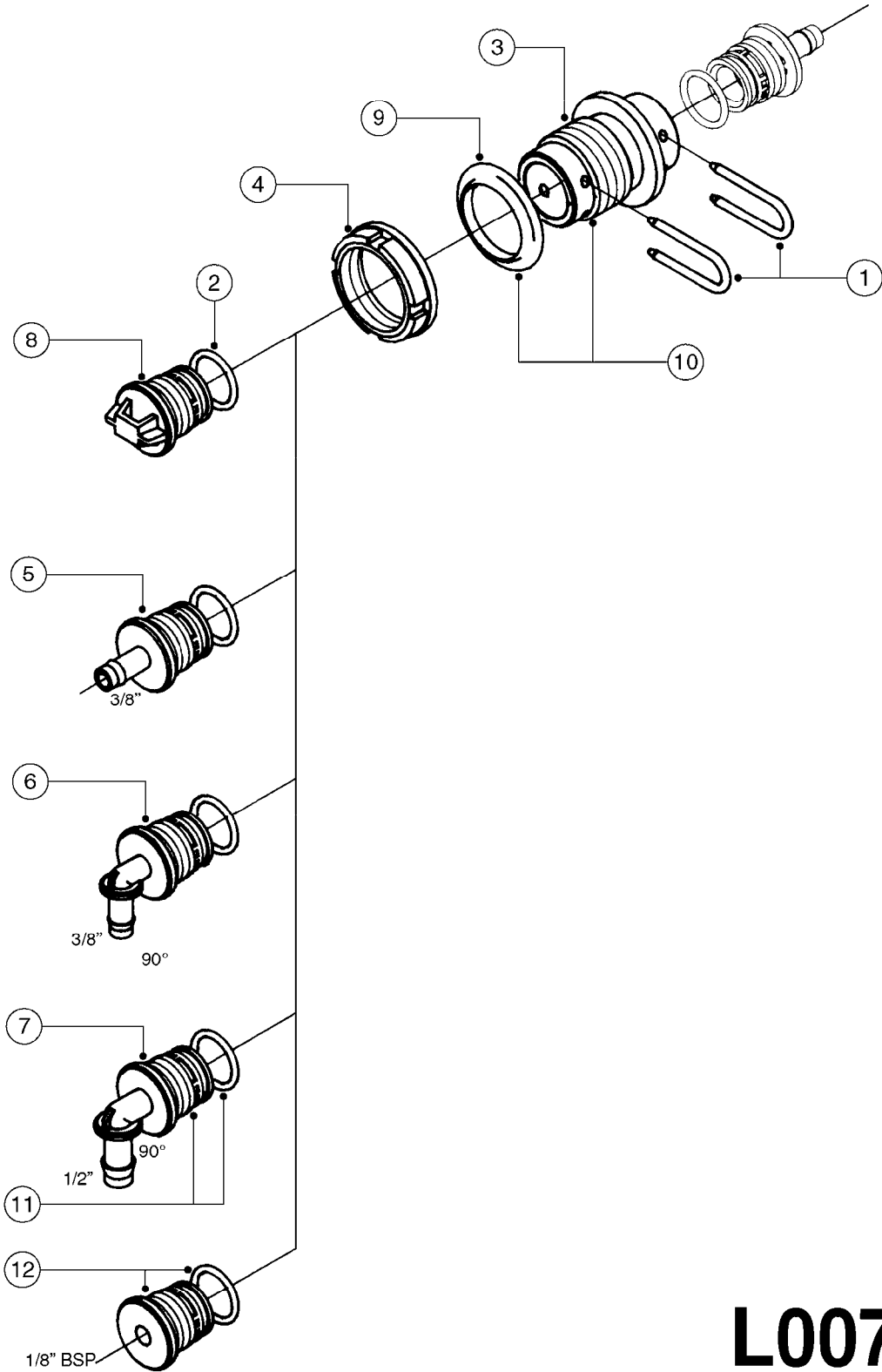


FITTINGS - BULKHEAD
L0060-HIN, 01:01:16

Page 1

Date 07.02.2020 8:00

parts-n°	order qty	description
141046	1	NUT 3/8" BSP
141341	1	NUT 1/4' BSP
240284	1	O-RING D82,5/75 X 3,5
320456	1	FITT.DK BULKHEAD 1"BSP DOUBLE
320467	1	FITT.DK BULKHEAD 1"BSP SINGLE
320471	1	FITT.DK NUT 1" BSP JAMB
320541	1	FITT.DK BULKHEAD 2-1/2'BSP SIN
320552	1	FITT.DK NUT 2-1/2' BSP JAMB
320644	1	FITT.DK ELB.3/4"HB X 1" BSP
320784	1	FITT.DK CAP 1-1/2" BSP
320795	1	FITT.DK NUT 1-1/2" BSP JAMB
320935	1	FITT.DK BULKHEAD 1/4' BSP SING
320946	1	FITT.DK BULKHEAD 3/8' BSP SING
321296	1	FITT.DK BULKHEAD 1/2" BSP SING
321307	1	FITT.DK NUT 1/2" BSP JAMB
321333	1	FITT.DK BULK 1-1/2" X 1"F BSP
330061	1	O-RING D16/D11X2,5
330072	1	O-RING D53.5/D45.5X4
330212	1	O-RING D19/D14X2.4 F.1/2"NUT
332577	1	O-RING D38/D30X4 F.1" PUR.
332592	1	O-RING D26/D20X3



L0070

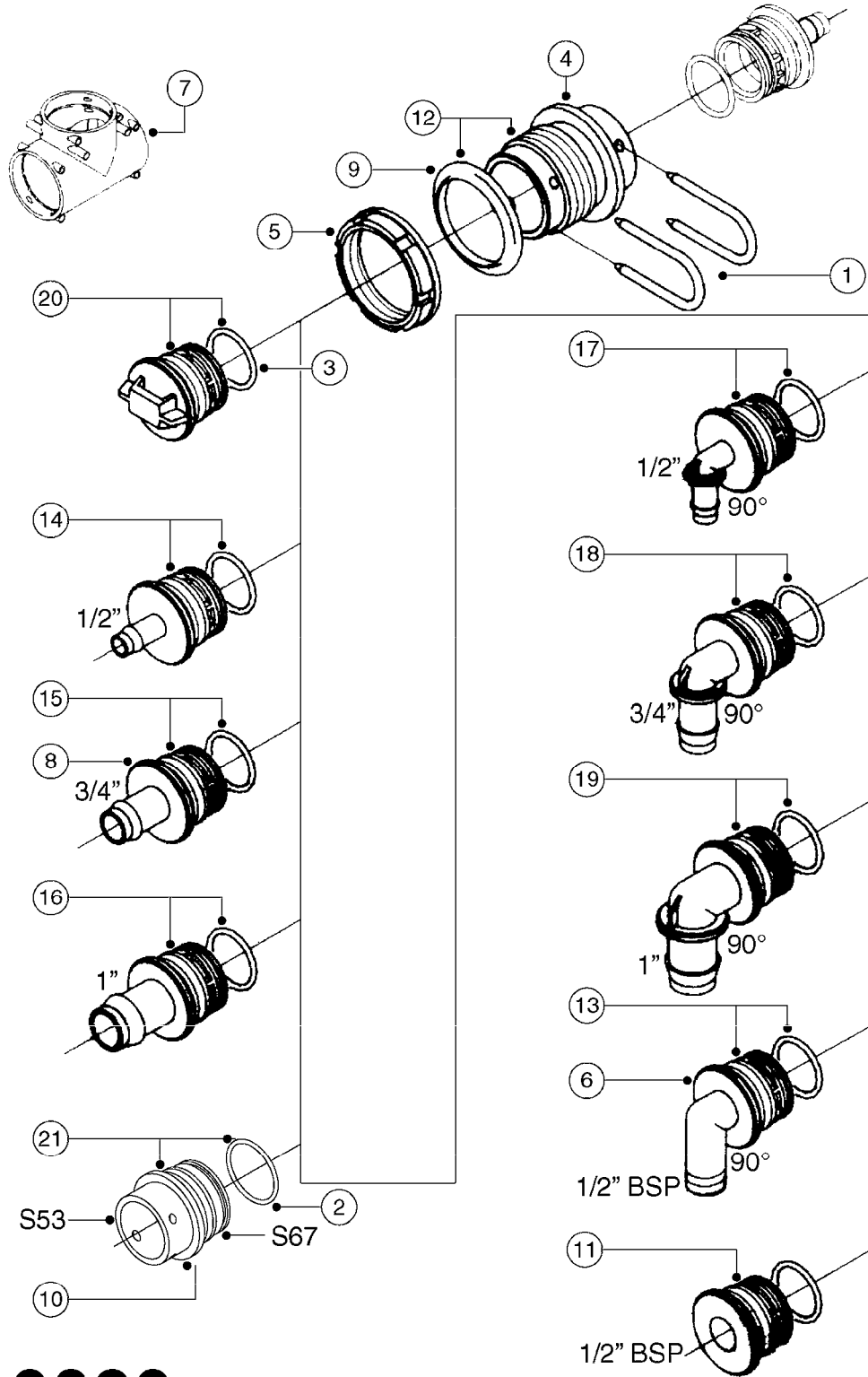


FITTINGS - S-40
L0070-HIN, 13:09:17

Page 1

Date 07.02.2020 8:00

Pos.	parts-n°	order qty	description
1	145994	1	FITT.DK S-40 FORK
2	242108	1	O-RING 3 X 19,2 70SH NITRIL NITRIL (BLACK)
2	242355	1	O-RING D19.2X3.0 VITON F.S-40 VITON (BROWN)
3	322102	1	FITT.DK S-40 BULKHEAD
4	322106	1	FITT.DK S-40 BULKHEAD NUT
5	334225	1	FITT.DK S-40 STR.3/8"
6	334237	1	FITT.DK S-40 ELB.3/8"
7	334238	1	FITT.DK S-40 ELB.1/2"
8	334248	1	FITT.DK S-40 PLUG
9	334259	1	GASKET F. S-40 BULKHEAD
10	726462	1	FITT. S40 BULKHEAD W.GASKET
11	726567	1	FITT.DK S-40 ELB.1/2" W.O-RING
12	726693	1	FITT.DK S-40 PLUG 1/8BSP ORING



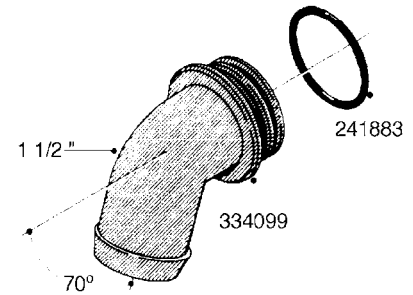
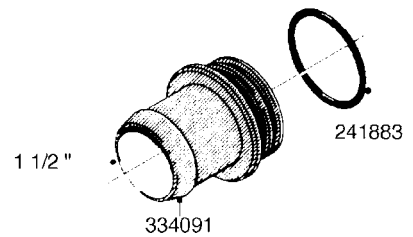
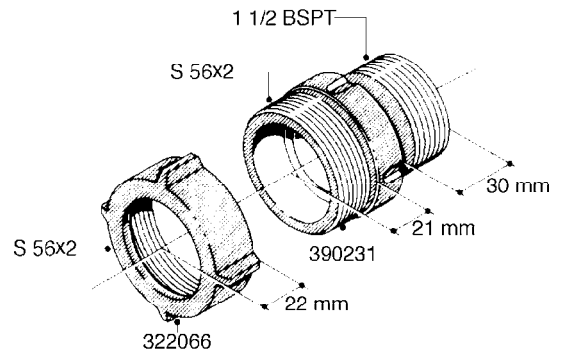
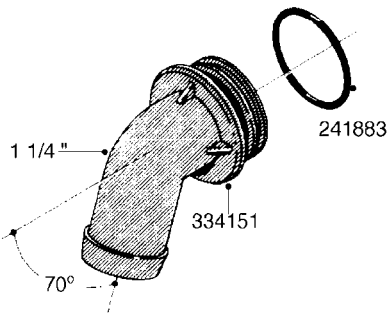
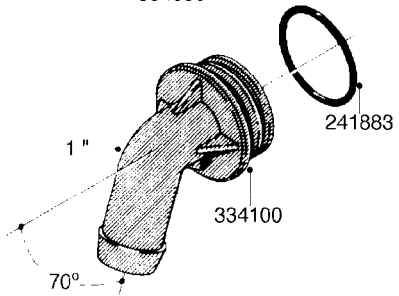
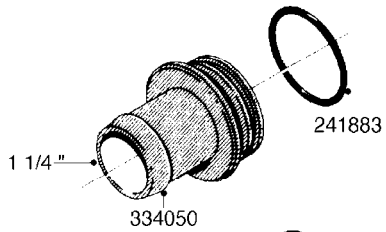
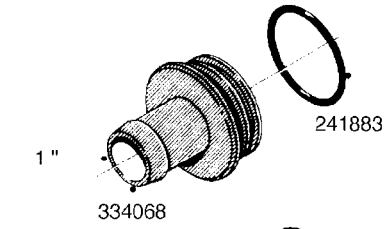
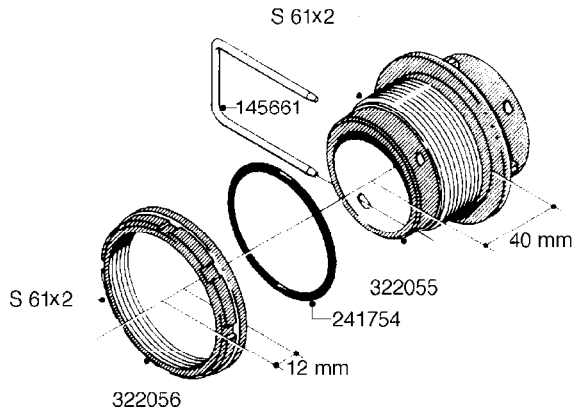
L0080



FITTINGS - S-53
L0080-HIN, 12:09:17

Page 1
Date 07.02.2020 8:00

Pos.	parts-n°	order qty	description
1	145995	1	FITT.DK S-53 FORK
2	241973	1	O-RING Ø3 X 44.2 70 SHORES NITRIL NITRIL (BLACK)
2	242353	1	O-RING 3 X 44.2 VITON VITON (BROWN)
3	242109	1	O-RING D32.2x3.0 NITRIL (BLACK)
3	242354	1	O-RING D32.2X3.0 VITON VITON (BROWN)
4	322103	1	FITT.DK S-53 BULKHEAD
5	322107	1	FITT.DK S-53 BULKHEAD NUT
6	322110	1	FITT.DK S-53 ELB. 1/2" BSP
7	322352	1	FITT.DK S-53 TEE
8	334229	1	FITT.DK S-53 STR.3/4"
9	334260	1	GASKET F. S-53 BULKHEAD
10	334564	1	FITT.DK S-67 TO S-53 ADAPTER
11	391100	1	FITT.DK S-53THREAD INS.1/2"BSP
12	726463	1	FITT.DK S53 BULKHEAD W/GASKET
13	726552	1	FIT.DK S-53X90 1/2" BSP,O-RING
14	726556	1	FITT.DK S-53 HB 1/2" W/O-RING
15	726558	1	FITT.DK S53 STR. 3/4" W. ORING
16	726559	1	FITT DK. S-53 HB 1" W/O-RING
17	726568	1	FITT.DK.S-53 HB 1/2"90 W/O-RING
18	726570	1	FITT.DK S-53 ELB.3/4" W. ORING
19	726571	1	FITT.DK S-53 ELB.1", W ORING
20	726578	1	FITT.DK S53 PLUG WITH O-RING
21	728561	1	FITT.DK. S67M - S53F REDUCER



L0090

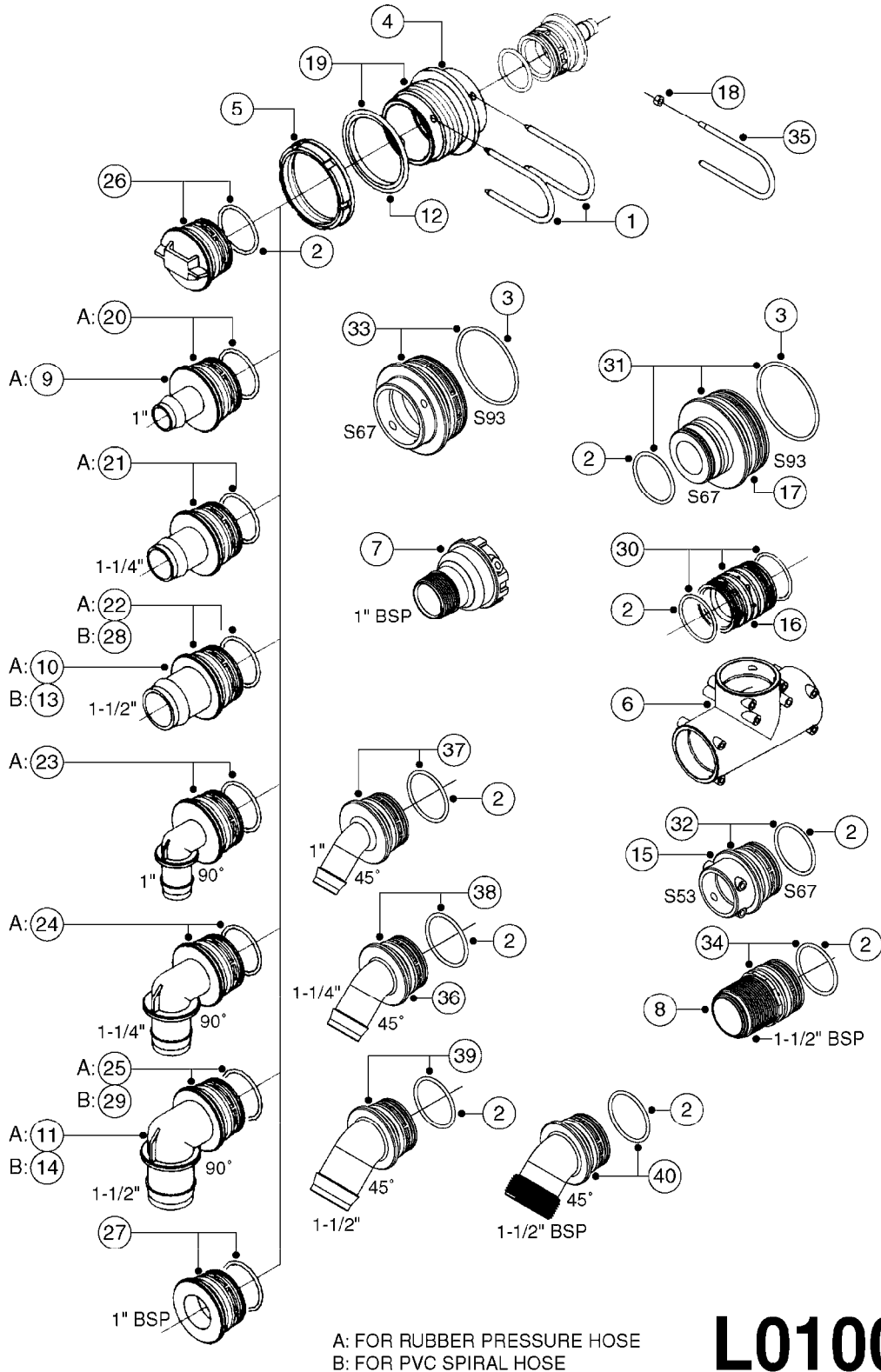


FITTINGS - S-56 & S-61
L0090-HIN, 01:01:16

Page 1

Date 07.02.2020 8:00

parts-n°	order qty	description
145661	1	FITT.DK S-61 FORK
241754	1	O-RING D59.5X3
241883	1	O-RING 3 X 39.2 NITRIL
322055	1	FITT.DK S-61 BULKHEAD
322056	1	FITT.DK S-61 BULKHEAD NUT
322066	1	FITT.DK S-56 NUT
334050	1	FITT.DK S-61 STR.1-1/4"
334068	1	FITT.DK S-61 STR.1"
334091	1	FITT.DK S56 STR.1-1/2'
334099	1	FITT.DK S-61 ELB.1-1/2"110 DEG
334100	1	FITT.DK S-61 ELB.1" 110 DEG.
334151	1	FITT.DK S-61 ELB.1-1/4"110 DEG
390231	1	FITT.DK NIPPLE 1-1/2 X S56



L0100



FITTINGS - S-67
L0100-HIN, 21:06:18

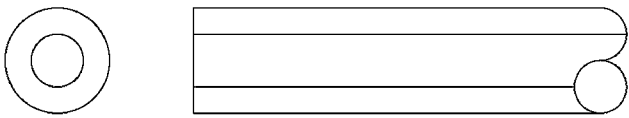
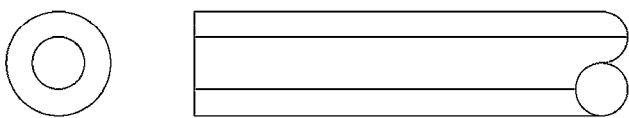
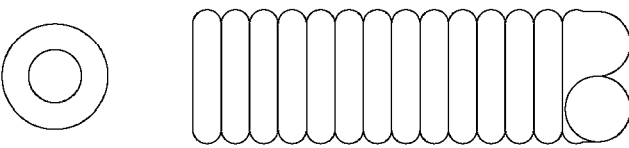
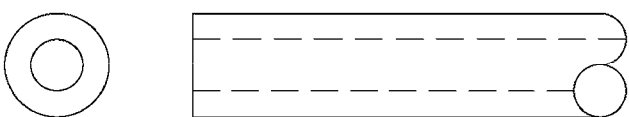
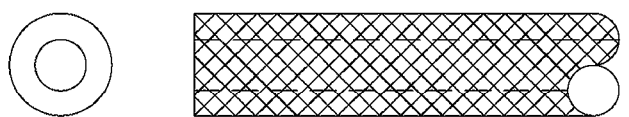
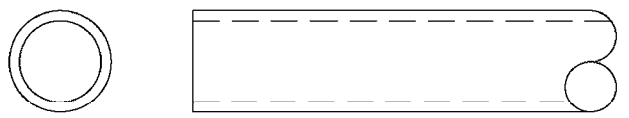
Page 1
Date 07.02.2020 8:00

Pos.	parts-n°	order qty	description
1	145996	1	FITT.DK S-67 FORK
2	241973	1	O-RING Ø3 X 44.2 70 SHORES NITRIL NITRIL (BLACK)
2	242353	1	O-RING 3 X 44.2 VITON VITON (BROWN)
3	242092	1	O-RING D69.5X3 NITRIL (BLACK)
3	242351	1	O-RING D69.5X3.0 VITON F.S-93 VITON (BROWN)
4	322104	1	FITT.DK S-67 BULKHEAD
5	322108	1	FITT.DK S-67 BULKHEAD NUT
6	322224	1	FITT.DK S-67 TEE
7	322321	1	FITT.DK S-67 X 1"BSP MALE
8	322325	1	FITT.DK S-67 X 1-1/2"BSP LONG
9	334231	1	FITT.DK S-67 STR.1"
10	334233	1	FITT.DK S-67 STR.1-1/2" RUBBER
11	334245	1	FITT.DK S-67 ELB. 1-1/2"RUBBER
12	334261	1	GASKET F. S-67 BULKHEAD
13	334444	1	FITT.DK S-67 STR.1-1/2" PVC
14	334445	1	FITT.DK S-67 ELB.1-1/2"
15	334564	1	FITT.DK S-67 TO S-53 ADAPTER
16	334573	1	FITT.DK S-67 CONNECTOR
17	334634	1	FITT.DK ADAPTER S-93M S67M
18	461217	1	NUT HEX M5 LOCK
19	726464	1	FITT.DK S-67 BULKHEAD W/GASKET
20	726560	1	FITT.DK S-67 STR.1" W.O'RING
21	726561	1	FITT.DK S-67 STR.1-1/4" O-RING
22	726562	1	FITT.DK.S-67 HB 1-1/2"W.O-RING
23	726572	1	FITT.DK S-67 1" ELBOW 90 ASSY.
24	726573	1	FITT. S67 5/4" 90° W/O-RING
25	726574	1	FITT.DK S67X90,1.5HB PRESSURE
26	726579	1	FITT. S67 PLUG W/O-RING
27	726695	1	FITTING S67 - BSP 1" + O-RING
28	727223	1	FITT.S67 1.5" STRAIT S W/ORING
29	727224	1	FITT.DK S67X90,1.5HB SUCTION
30	728526	1	FITT.DK S-67 CONNECT W/O-RINGS
31	728527	1	ADAPTER S67M TO S93M W/ORING
32	728561	1	FITT.DK. S67M - S53F REDUCER
33	728562	1	FITT.DK S-93 TO S67 ADAPTOR
34	728578	1	FITT.DK S-67X1-1/2"BSP LG W/O-RING
35	14012200	1	FITT.DK S-67 FORK W/M5 THREADS
36	33509700	1	FITT.DK S-67 45° 1-1/4"
37	72433000	1	FITT.S67 1" 45° W/O-RING
38	72433100	1	FITT.DK S-67 45° 1-1/4"W/ORING
39	72433200	1	FITT.S67 1-1/2" 45°PVC W/O-RING
40	72433400	1	FITT.S67 1-1/2" 45°BSP W/ORING



Pos.	parts-n°	order qty	description
1	145997	1	FITT.DK S-93 FORK
2	147115	1	FITT.DK S-93 FORK SPECIAL
3	147774	1	FITT.DK S-93 FORK W. M5 THREAD
4	241973	1	O-RING Ø3 X 44.2 70 SHORES NITRIL NITRIL (BLACK)
4	242353	1	O-RING 3 X 44.2 VITON VITON (BROWN)
5	242092	1	O-RING D69.5X3 NITRIL (BLACK)
5	242351	1	O-RING D69.5X3.0 VITON F.S-93 VITON (BROWN)
6	242221	1	GASKET F. S-93 QUICK COUPLERS
7	322105	1	FITT.DK S-93 BULKHEAD DOUBLE
8	322109	1	FITT.DK S-93 BULKHEAD NUT
9	322165	1	FITT.DK S-93 BULKHEAD SINGLE
10	334234	1	FITT.DK S-93 STR.2" RUBBER
11	334246	1	FITT.DK S-93 ELB.2" PVC
12	334262	1	GASKET F.S-93 BULKHEAD
13	334304	1	FITT.DK S-93 STR.1-1/2" PVC
14	334426	1	FITT.DK S-93 STR.2"
15	334545	1	FITT.DK S-93 TEE
16	334601	1	FITT.DK S-93 TO S67 ADAPTOR
17	334634	1	FITT.DK ADAPTER S-93M S67M
18	390485	1	FITT.DK S-93 PLUG W D34 HOLE
19	390721	1	FITT.DK S-93 PLUG W/2" NPT THRE
20	461217	1	NUT HEX M5 LOCK
21	726465	1	FITT.DK S-93 BULKHEAD W/GASKET
22	726563	1	FITT.DK S-93 STR 2" W/O-RING
23	726564	1	HOSE TAIL 2-1/2" W.O-RING
24	726575	1	FITT.DK S-93 ELB. 2" RUBBER
25	726576	1	FITT. DK S-93 2-1/2" 90°
26	726580	1	FITT. S93 PLUG W/O-RING
27	727133	1	FITT. S93 2-1/2" STR. S W/O-RI
28	727225	1	FITT.DK S-93 ELB.2'PVC W/ORING
29	727226	1	FITT. S93 2-1/2" 90° S W/O-RING
30	727227	1	FITT.DK S-93 STR.2" W/ORING
31	727235	1	QUICK COUPLER FEMALE W 1-1/2HB
32	727236	1	QUICK COUPLER FEMALE W 2" HB
33	727237	1	QUICK COUPLER FEMALE W2-1/2" HB
34	727339	1	FITT. S93 DRAIN BULKHEAD W/O-R
35	727476	1	FITT. DK S-93 2"FM THD W.ORING
36	727777	1	QUICK COUPLER S93 DRAIN W/O-RI
37	728120	1	QUICK COUPLER CAP F.S93 DRAIN
38	728395	1	FITT.DK S-93 ELB.1-1/2" 90 DEG
39	728523	1	FITT.DK S-93 STR.1-1/2" W.O-RING
40	728525	1	FITT. S93 CONNECTOR W/O-RINGS
41	728527	1	ADAPTER S67M TO S93M W/ORING
42	728562	1	FITT.DK S-93 TO S67 ADAPTOR
43	729828	1	FITT.DK S-93 ELB 2-1/2" RED
44	729829	1	FITT.DK S-93 ELB 2 RED
45	729830	1	FITT.DK S-93 ELB 1-1/2" 90 RED
46	39121700	1	FITT.DK S93 ADAP LG MALE MALE
47	72072700	1	FITT.DK S-93 45D 2" PVC
48	72072900	1	FITT. S93 2-1/2" 45° S W/O-RING



I.D.	PART # (ONE FOOT)	
3/8" 1/2" 3/4" 1" 1-1/4" 1-1/2"	92701703 92702103 92703203 92712403 92734403 92736503	 RUBBER HOSE
5/16" 3/8" 1/4" 1/2" 3/4"	927281 927284 927268 927269 927270	 PVC HOSE
1" 1-1/4" 1-1/2" 2" 2-1/2"	92702403 92738900 92702603 92702703 92702803	 PVC SPIRAL SUCTION HOSE, GRAY
3/4" 1-1/4"	927205 92703503	 CLEAR HOSE, SMOOTH
1/2" 3/4"	10631003 927231	 PVC HOSE, CLEAR, REINFORCED
4mm 6mm 8mm 10mm .25" .38"	927253 RED 927264 RED 927306 BLACK 927330 BLACK 92703303 BLACK 92703403 BLACK	 PVC AIR HOSE, SMOOTH

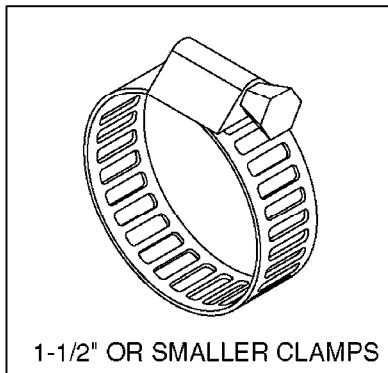
L0120



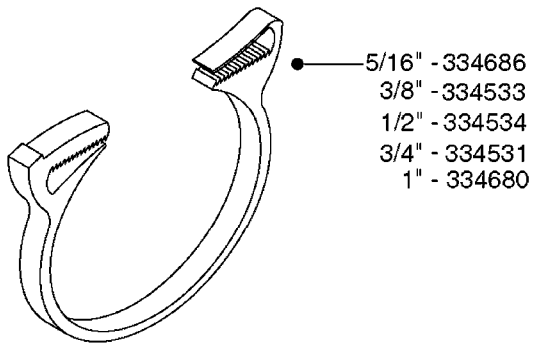
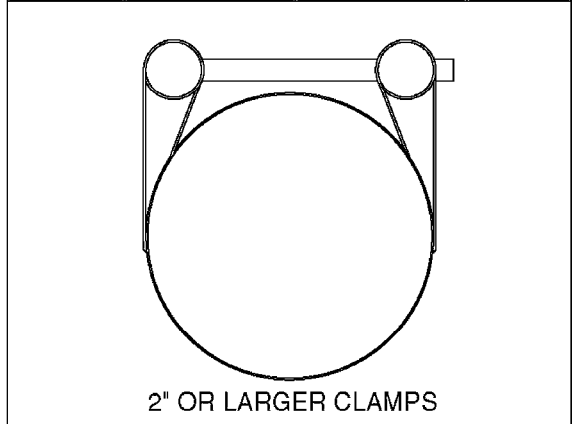
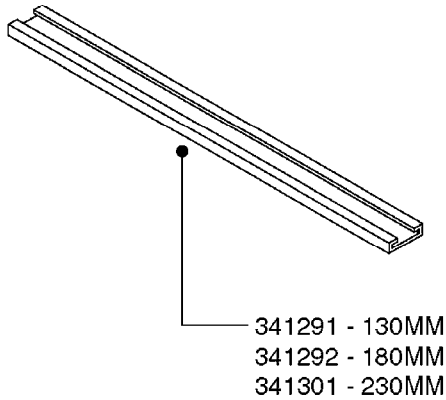
BULK HOSE
L0120-HIN, 17:10:19

Page 1
Date 07.02.2020 8:00

parts-n°	order qty	description
927205	1	HOSE R X CLEAR X 3/4 X 0012"
927231	1	HOSE R X PVCX3/4 CLR/BRD 0012"
927253	1	RED AIR HOSE, Ø4/2 1810 E
927264	1	HOSE R X PE D6/D4 X 0012"
927268	1	HOSE BLUE PVC X 1/4 X 0012"
927269	1	HOSE R X PVC X 1/2 X 0012"
927270	1	HOSE R X PVC X 3/4 X 0012"
927281	1	HOSE R X PVC X 5/16 X 0012"
927284	1	HOSE 3/8 PVC W/ INSERT
927306	1	HOSE R X PE D8/D6 X 0012"BLACK
927330	1	HOSE R X PE D10/D8 X 012"BLACK
10631003	1	HOSE R X CLEAR BRAID.X 1/2 12"
92701703	1	HOSE R X3/8" X300PSI WP X0012"
92702103	1	HOSE R X1/2" X300PSI WP X0012"
92702403	1	HOSE PVC SUCT GRAY 1"
92702603	1	HOSE PVC SUCT GRAY 1-1/2"
92702703	1	HOSE PVC SUCT GRAY 2"
92702803	1	HOSE PVC SUCT GRAY 2.5"
92703203	1	HOSE R X3/4" X300PSI WP X0012"
92703303	1	HOSE LLDPE .25"X.17"X12" BLACK
92703403	1	HOSE LLDPE .38"X.25"X12" BLACK
92703503	1	HOSE VINYL CLEAR 1-1/4" OD X 1" ID
92712403	1	HOSE R X1" X300PSI WP X0012"
92734403	1	HOSE R X5/4" X200PSI WP X0012"
92736503	1	HOSE R X1.5" X200PSI WP X0012"
92738900	1	HOSE R X PVC X 1-1/4" 0012"



Hose Size	Pressure	Suction	Clamp Code
5/16"	284582		-
3/8"	28044903		6706
1/2"	28029803		6708
3/4"	28029903		6712
1"	28030003	28029903	6716
1-1/4"	28030103		6724
1-1/2"		28030103	6724
2"		28030203	235-67
2-1/2"		28030303	235-74
3"		28030403	235-87



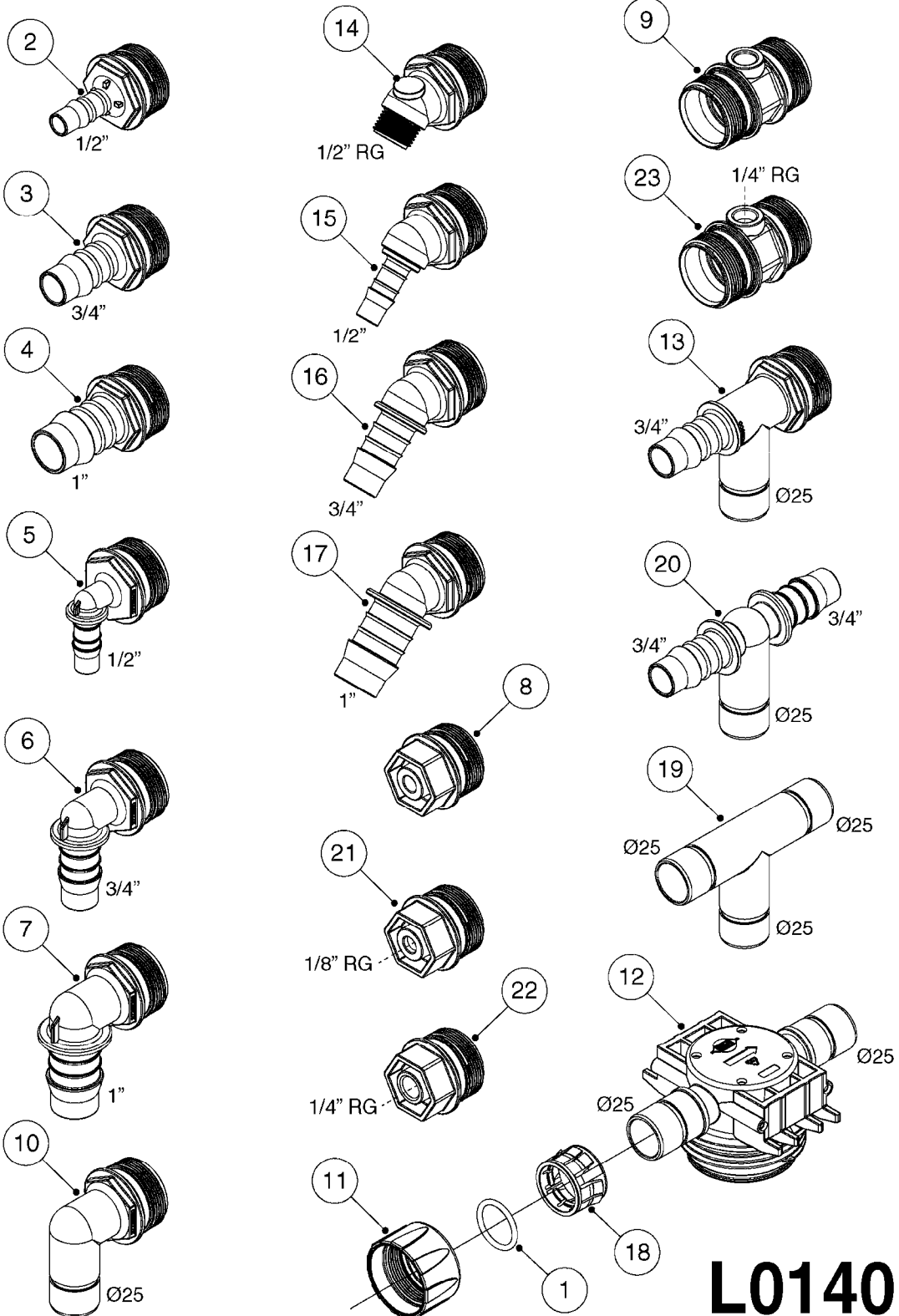
L0130



HOSE CLAMPS
L0130-HIN, 16:10:19

Page 1
Date 07.02.2020 8:00

parts-n°	order qty	description
284582	1	CLAMP HOSE GEAR - 5/16"
334531	1	CLAMP HOSE PLASTIC 3/4"
334533	1	CLAMP HOSE PLASTIC 3/8"
334534	1	CLAMP HOSE PLASTIC 1/2"
334680	1	CLAMP HOSE PLASTIC 1"
334686	1	CLAMP HOSE PLASTIC 5/16"
341291	1	RUBBER HOSE CLAMP COVER 130MM
341292	1	RUBBER HOSE CLAMP COVER 180MM
341301	1	RUBBER HOSE CLAMP COVER 230MM
28029803	1	CLAMP HOSE GEAR P1/2" 6708
28029903	1	CLAMP HOSE GEAR P3/4"-S1" 6712
28030003	1	CLAMP HOSE GEAR P1" 6716
28030103	1	CLAMP HOSE GEAR P5/4-S1.5" 6724
28030203	1	CLAMP HOSE T-BOLT S2" 235-67
28030303	1	CLAMP HOSE T-BOLT S2.5" 235-76
28030403	1	CLAMP HOSE T-BOLT S3" 235-82
28044903	1	CLAMP HOSE GEAR P3/8" 6706



L0140



FITTINGS - T25
L0140-HIN, 01:01:16

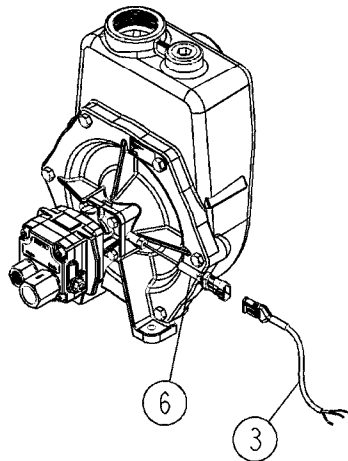
Page 1

Date 07.02.2020 8:00

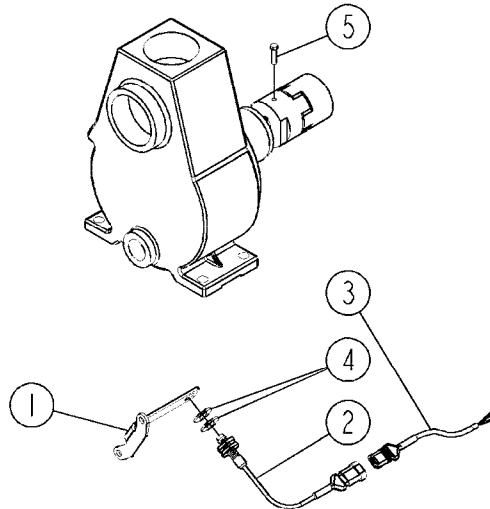
Pos.	parts-n°	order qty	description
1	24263000	1	O-RING Ø24.4 X 3.1 NITRIL SH70
2	32238700	1	FITT.DK HB 1/2" ST T25
3	32238800	1	FITT.DK HB 3/4" STR T25
4	32238900	1	FITT.DK HB 1" ST T25
5	32239000	1	FITT.DK HB 1/2" 90° T25
6	32239100	1	FITT.DK HB 3/4" 90° T25
7	32239200	1	FITT.DK HB 1" 90° T25
8	32239300	1	FITT.DK CAP T25
9	32239500	1	FITT.DK UNION CONNECTOR T25
10	32239600	1	FITT.DK HB ANGLE 90° T25
11	32239700	1	FITT.DK NUT T25
12	32239800	1	FITT.DK IN-LINE FILTER TOP T25
13	32239900	1	FITT.DK TEE 3/4" HB Ø25 T25
14	32240000	1	FITT.DK 1/2" RG 45° T25
15	32240100	1	FITT.DK HB 1/2" 45° T25
16	32240200	1	FITT.DK HB 3/4" 45° T25
17	32240300	1	FITT.DK HB 1" 45° T25
18	33515500	1	FITT.DK NUT LOCK RING T25
19	33516100	1	FITT.DK TEE 3 X Ø25 T25
20	33516200	1	FITT.DK TEE 3/4" HB-Ø25 T25
21	39125500	1	FITT.DK CAP 1/8" RG T25
22	39125600	1	FITT.DK CAP 1/4" RG T25
23	39128700	1	FITT.DK CONNECTOR 1/4" RG T25



HYPRO

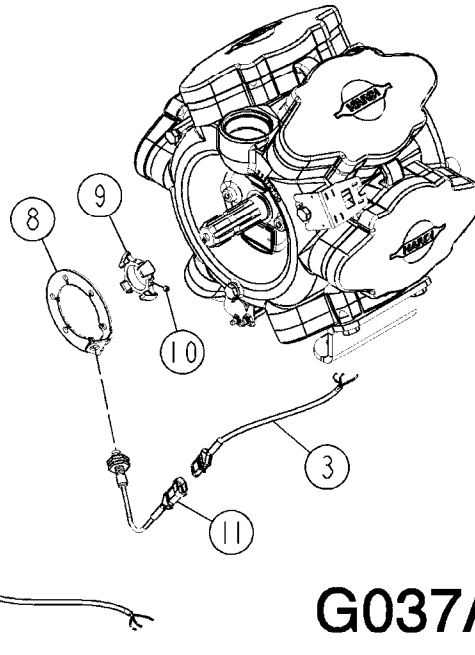
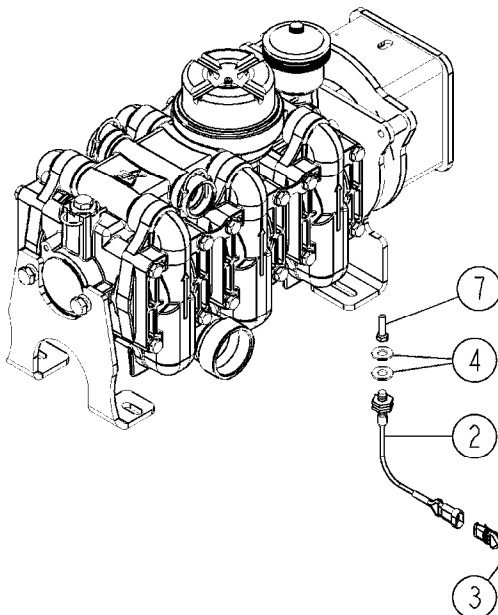


EC500



464

P380



G037A



PUMP SPEED SENSOR ALPHA
G037A, 22:02:13

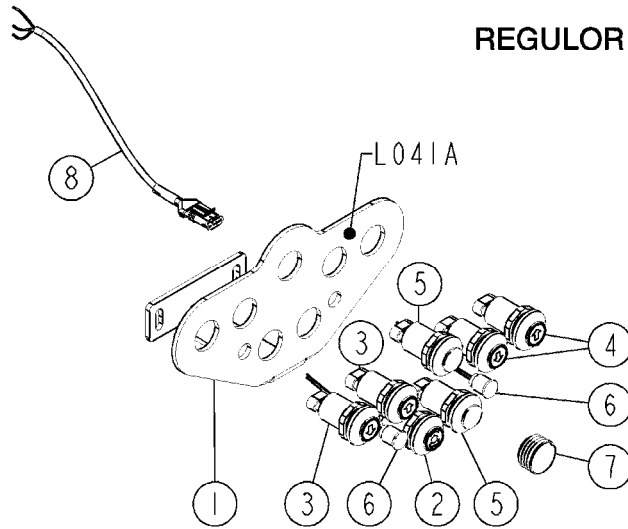
Page 1

Date 07.02.2020 8:00

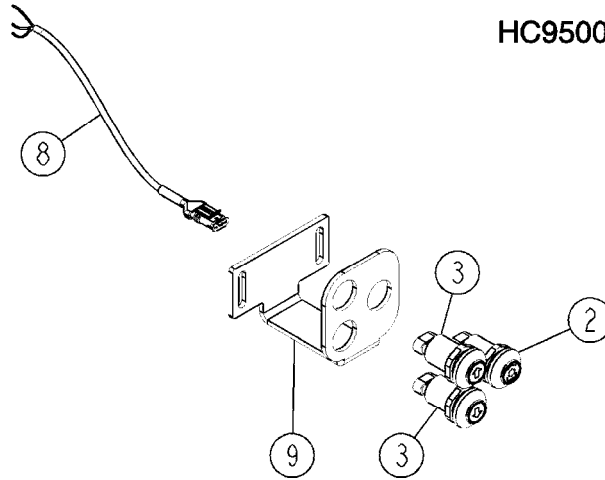
Pos.	parts-n°	order qty	description
1	16321901	1	SENSOR SUPPORT EC500 ALPHA
2	28129300	1	INDUCTIV SENSOR UNSHIELDED M12 L1M SD=8MM
3	26006100	1	CABLE L = 5.00M, AMP, MALE, 3P Si faisceau non précablé/harness not prewired
3	26007100	1	CABLE L = 9.00M, AMP, MALE, 3P Si faisceau non précablé/If harness not prewired
4	478037	1	WASHER M12U D12.5/D27X2.5 SS A2
5	410281	1	BOLT HEX 8.8 DEL M6X25 DIN933 A2
6	26035301	1	HYPRO PUMP SENSOR 2530-9303
7	428011	1	SCREW HEX M8X30 SS A2 DIN933
8	16382700	1	PLATE 3 X 148 X 116 / BEND
9	14117800	1	ROTOR RPM SENSOR 4-POL
10	450645	1	SCREW ALLAN M6 X 6 SS
11	28129100	1	INDUCTIV SENSOR SHIELDED M12 L0.4M SD4MM



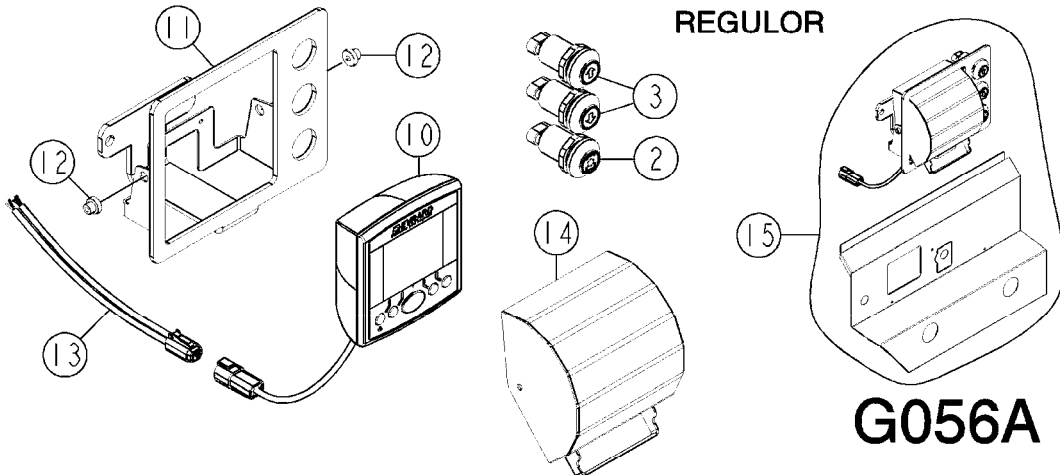
REGULOR



HC9500



REGULOR





OUTSIDE ENGINE & PUMP CONTROL
G056A, 15:03:17

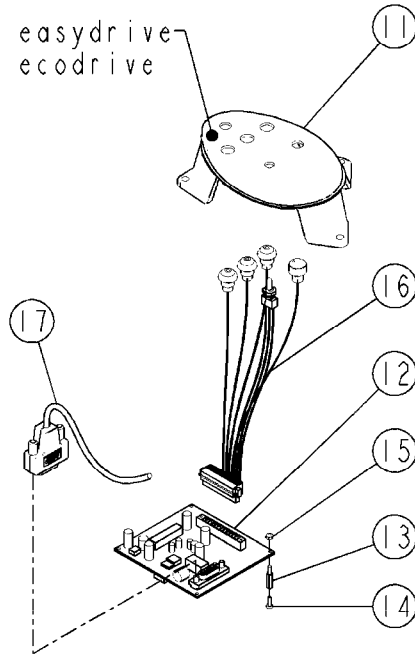
Page 1

Date 07.02.2020 8:00

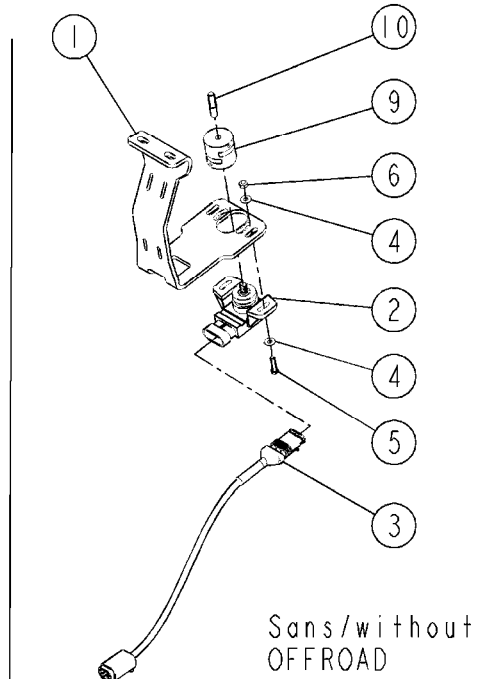
Pos.	parts-n°	order qty	description
1	16527101	1	7 BUTTONS+2 LEDS BRACKET ALPEVO
2	26000701	1	PUMP ON-OFF SWITCH
3	26000901	1	ACCELERATOR SWITCH
4	26000801	1	RPM PUMP BUTTON
5	26018801	1	PUMP BUTTON EXT 145 000 AB A GREEN BACKGROUND
6	76005801	1	GREEN LED LIGHT + FEMALE PLUG
7	288744	1	PLASTIC PLUG EP620GL34X1.0-3.0
8	26006000	1	LEAD F AMP SUPERSEAL 3 WAYS L1,5M
8	26007200	1	CABLE 3POL AMP FEMALE L13M
9	16365701	1	3 PUSHBUTTONS BRACKET ALPHA-VTK
10	26084301	1	COMMAND BOX V2
11	61054301	1	SUPPORT 3 BOUTONS+CDEBOX ALPHA
12	39014301	1	COMMAND BOX SPACER
13	76014401	1	COMMAND BOX LEAD
14	61052101	1	COMMAND BOX COVER SHIELD
15	76011401	1	KIT COMMANDE BOX ALPHA EVO
15	76011501	1	KIT COMMANDE BOX VTK EVO



L041A easydrive
L046A ecodrive

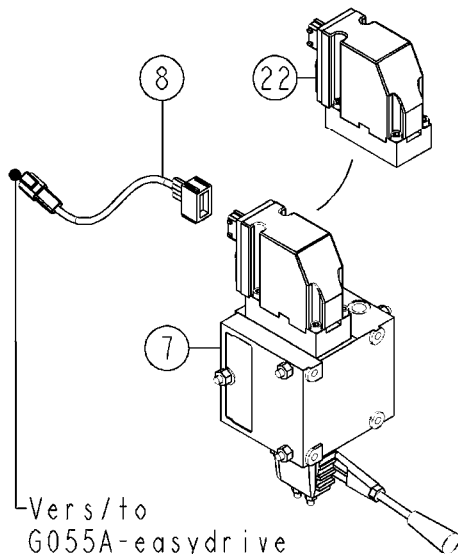


Cabine/cab



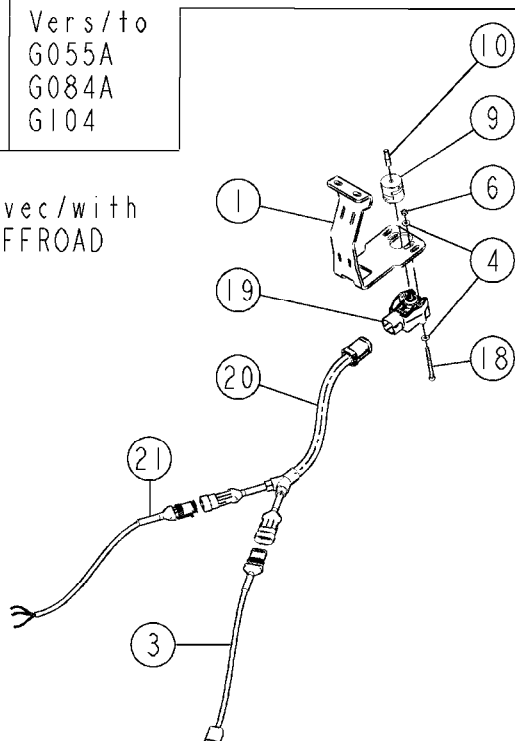
Sans/without
OFFROAD

Vers/to
G055A
G084A
G104



Avec/with
OFFROAD

Vers/to
G055A-easydrive
G084A-ecodrive T3B
G104-ecodrive T4F



Vers/to
G055A-easydrive
G084A-ecodrive T3B
G104-ecodrive T4F

--> n°56586

G057A



DANFOSS 4WS HARNESS, ALPHA EVO
G057A, 22:01:15

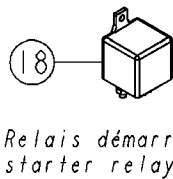
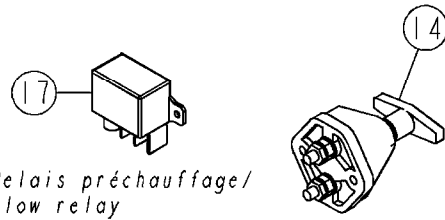
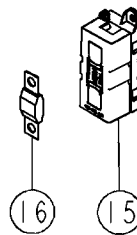
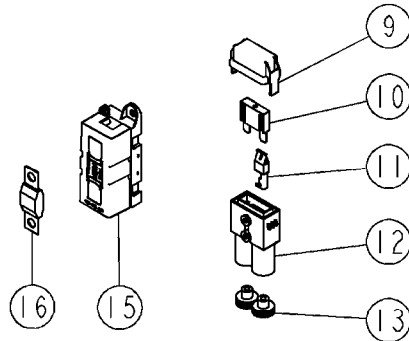
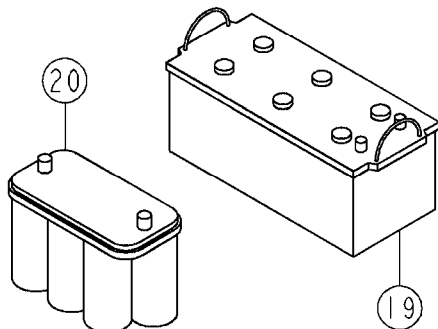
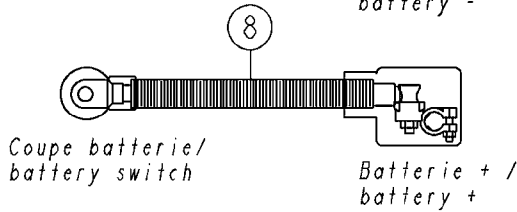
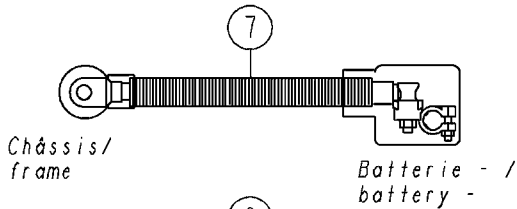
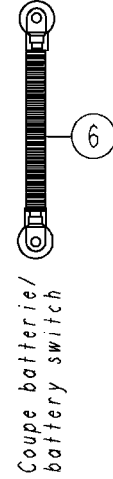
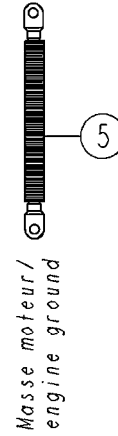
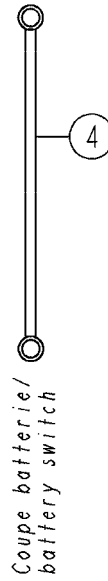
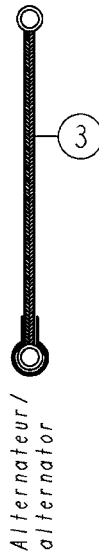
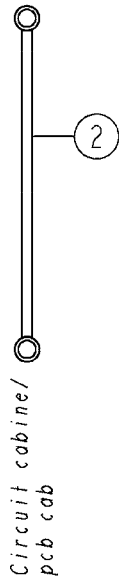
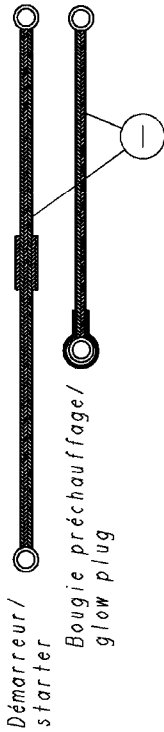
Page 1

Date 07.02.2020 8:00

Pos.	parts-n°	order qty	description
1	16529101	1	SENSOR SUPPORT PIVOT ALPEVO
2	26039301	1	ANGLE SENSOR 70° 0,5-4,5V SIMPLE
3	26044601	1	HARNESS AMP 3V-DTM04-4P L13M Vers faisceau principal/to principal harness
4	478056	1	WASHER M4U D4.25/D10X0.8 SS A2
5	418007	1	SCREW HM 4-16/16 8,8 DIN933 DEL
6	468041	1	NUT HEX M4 A2 LOCK DIN 985
7	26039001	1	VALVE PVEA 157B4735
7	782848	1	VALVE PVG32+COIL PVEA
8	26044701	1	ELECTRIC CABLE PGV32-DT04 4P L1M ALPEVO Vers faisceau principal/to principal harness
9	28027301	1	ELASTIC COUPLING 721-5617
10	14011301	1	PIVOT SHAFT SENSOR
11	39005001	1	CONSOLE COVER 4RD CRABE T3A
12	26037201	1	CIRCUIT 4RD AD2000 CDE DEPORTE
13	268648	1	SPACER M3X15X5X8X8 MS NI
14	418000	1	BOLT PHILLIPS RD-PAN M3X10 SS 51340 030010
15	468056	1	NUT HEX M3-.5 DIN982 LOCK SS
16	76005501	1	HARNESS 4RD CRABE n°16 G057A
17	76016601	1	4WS HARNESS, ALPHA EVO
18	45001601	1	BOLT CAP HEAD SOCKET M4X50/20 12.9
19	26020501	1	ANGLE SENSOR 70° 0,5-4,5VDC
20	26039601	1	WHEEL ANGLE SENSOR HARNESS, L5000, ALPEVO
21	26006100	1	CABLE L = 5.00M, AMP, MALE, 3P



Relais moteur / engine relay Masse cabine / ground cab Démarreur / starter Fusible / fuse Masse châssis / frame ground Démarreur / starter



Coupe batterie / battery switch

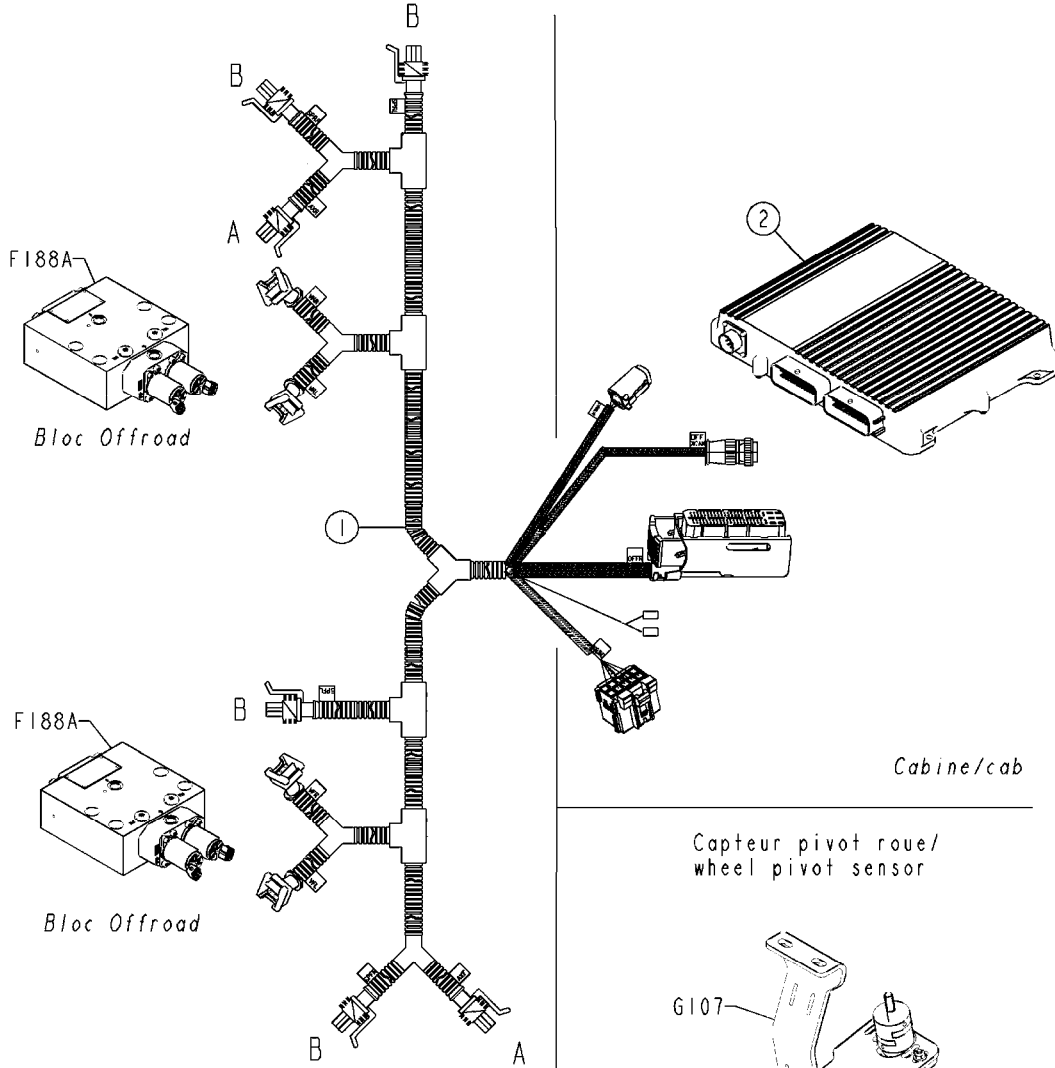
G059A



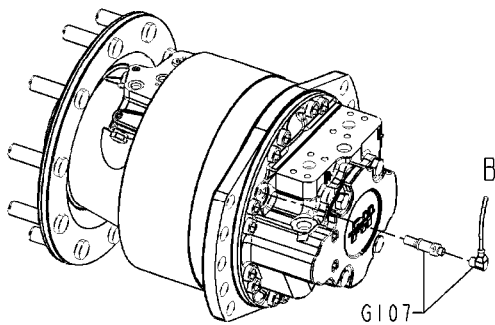
MISC.ELECTRICAL CABLES ENGINE
AREA
G059A, 28:01:15

Page 1
Date 07.02.2020 8:01

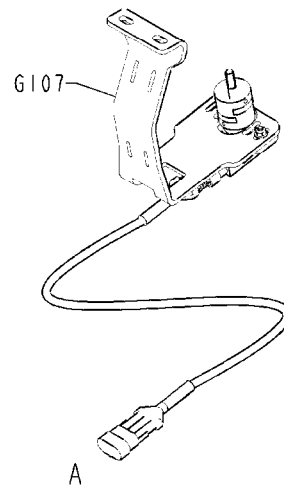
Pos.	parts-n°	order qty	description
1	268793	1	2 CABLES PREHEATING TCD2012 25mm ² L800-1250mm easydrive
2	26033901	1	GROUND CABLE CAB 25mm ² L1000mm
3	268580	1	ALTERNATOR CABLE BF6M-TCD2012 25mm ² L1900mm
4	26034001	1	POWER CABLE, MEGAFUSE L300, T3A EVO 25mm ² L300mm rouge/red easydrive
4	26051801	1	POWER CABLE MEGAFUSE ST3B-ST4 EVO 25mm ² L900mm rouge/red ecodrive
5	26034301	1	GND CABLE, FRAME-ENGINE, ST3B-ST4, ALPEVO 70mm ² L700mm
5	26035001	1	GROUND CABLE FRAME-MOTOR VTKEVO 70mm ² L700mm
6	26034401	1	BATTERY SWITCH-STARTER CABLE, ALPEVO 70mm ² L1150mm
6	26034801	1	BATTERY SWITCH-STARTER CABLE, VTKEVO 70mm ² L800mm
7	26034101	1	BATTERY POWER CABLE (-) ALPEVO 70mm ² L1750mm
7	26034901	1	BATTERY POWER CABLE (-) VTKEVO 70mm ² L800mm
8	26034201	1	BATTERY POWER CABLE (+) ALPEVO 70mm ² L1850mm
8	26034701	1	BATTERY POWER CABLE (+) VTKEVO 70mm ² L650mm
9	268178	1	FUSE HOLDER CAP 152903
10	26061401	1	FUSE MAXI 60A 299060
10	268181	1	FUSE MAXI 50A 299050
10	268786	1	FUSE 30A 299030
11	268179	1	FUSE TERMINAL 4-6MM ² 913727TN
12	268177	1	FUSE HOLDER 152002
13	268180	1	FUSE HOLDER SEAL 828906
14	268895	1	BATTERY SWITCH E101
15	26012301	1	FUSE MEGAFUSE 02681001ZXT A
16	26012501	1	0298100 A 100A FUSE MEGAFUSE
16	26012401	1	0298150 A 150A FUSE MEGAFUSE
17	268760	1	PREHEATING RELAY TCD6L 04213435 Sur moteur/on engine easydrive
18	268875	1	RELAY 180A 12V AV.18.00091 Sur moteur/on engine easydrive
19	268877	1	BATTERY 12V 180AH TYPE 68032 Alpha evo
20	268725	1	BATTERY, 12V, OPTIMA D31A, YELLOW, SARITOR Varitrack evo



Capteur vitesse du moteur hyd/
speed sensor for hyd. motor



Capteur pivot roue/
wheel pivot sensor



G062A

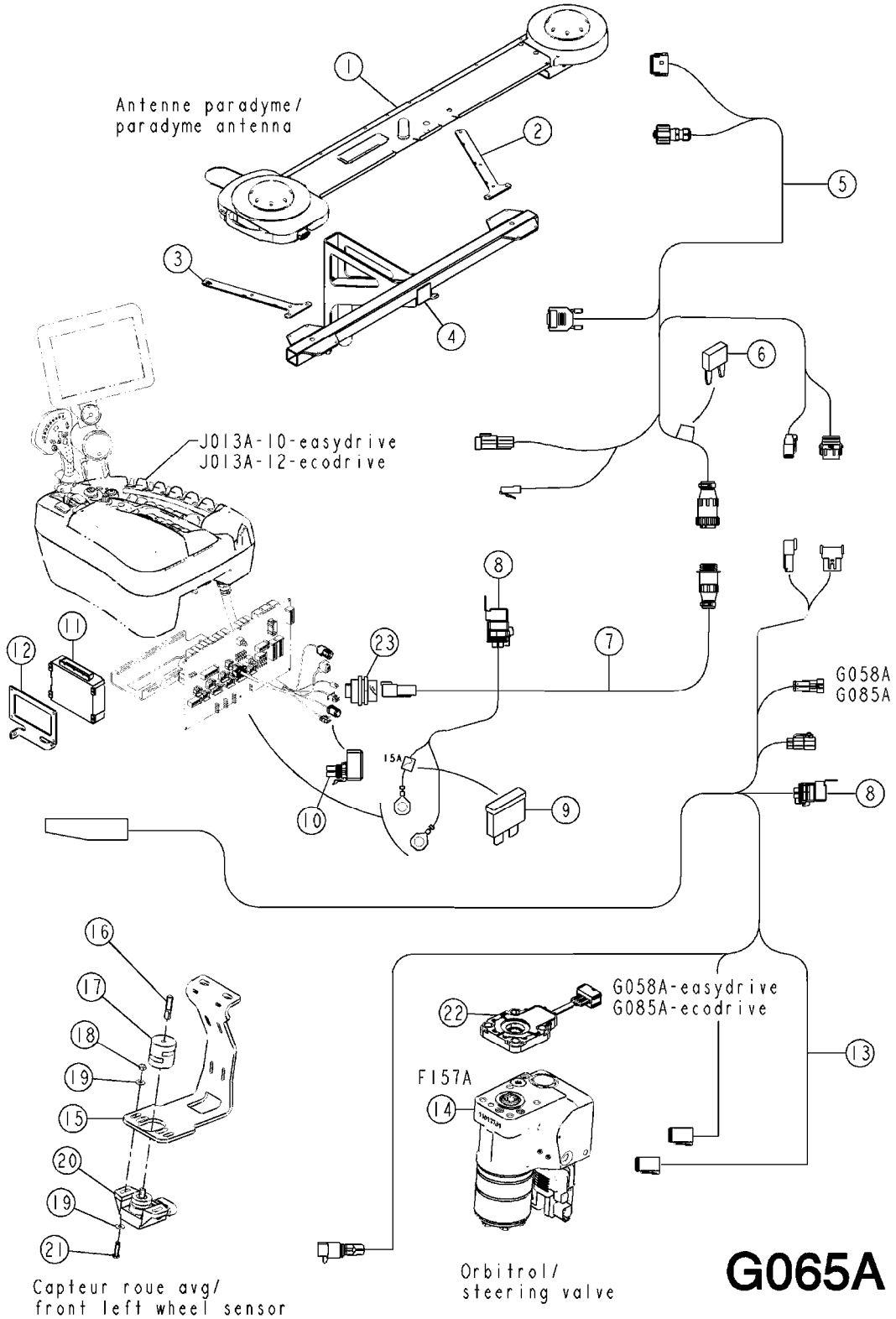


OFF-ROAD ALPHA EVO
G062A, 17:09:18

Page 1

Date 07.02.2020 8:01

Pos.	parts-n°	order qty	description
1	26041401	1	HARNES OFFROAD ALPHA EVO Jusqu'au/until n°56817
1	26084401	1	HARNES OFFROAD ALPHA EVO V2 Du/from n°56818 au/until n°56984
1	26089501	1	OFFROAD CT HARNES, ALPHA EVO A partir du/from n°56985
2	26089601	1	SMARTDRIVE OFFROAD ECU SD-CT-200 A partir du/from n°56985 (ancien/old 26008101 obsolete)



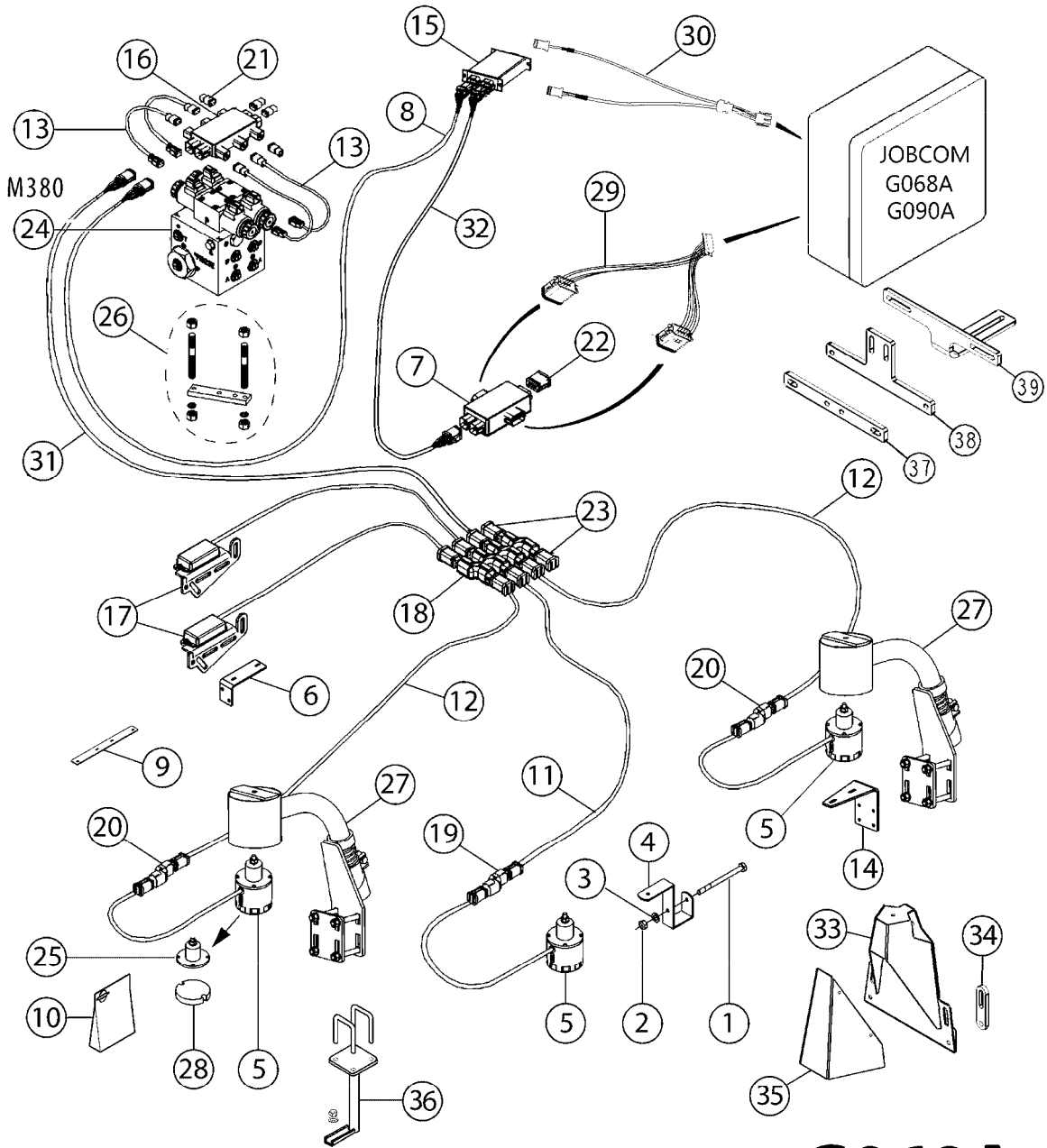


PARADYME ALPHA EVO
G065A, 02:02:15

Page 1

Date 07.02.2020 8:01

Pos.	parts-n°	order qty	description
1	26025001	1	PARADYME KIT EUROPE 4100681
1	26033301	1	KIT PARADYME NORTH AMERICA 4100680
1	26033401	1	KIT PARADYME AUSTRALIA 4100682
2	16519901	1	PARADYME ANTENNA BRKT.RIGHT
3	16520001	1	PARADYME ANTENNA BRKT.LEFT
4	63050201	1	ANTENNA SUPPORT PARADYME
5	26045801	1	HARNESS PARADYME 201-0426-04
6	268140	1	MINIFUSE 7.5A BROWN
6	268141	1	FUSE 15A 297015
7	26054301	1	CABLE PARADYME 4002710
8	26046001	1	RELAY 40A 4RD 931 410-05/-08
9	268028	1	FUSE 15A, 257015AT
10	26046101	1	RevB/RELAY -POWER CONTROL ASSY
12	16491901	1	BRACKET SAM AGLEADER CAB SARITOR
13	26045901	1	HARNESS PARADYME 4002709-9
14	78207401	1	STEERING VALVE ANALOG 60/200 LS 20
15	16529101	1	SENSOR SUPPORT PIVOT ALPEVO
16	14011301	1	PIVOT SHAFT SENSOR
17	28027301	1	ELASTIC COUPLING 721-5617
18	468041	1	NUT HEX M4 A2 LOCK DIN 985
19	478056	1	WASHER M4U D4.25/D10X0.8 SS A2
20	26039301	1	ANGLE SENSOR 70° 0,5-4,5V SIMPLE
21	418007	1	SCREW HM 4-16/16 8,8 DIN933 DEL
22	26013901	1	SASA SENSOR



G069A



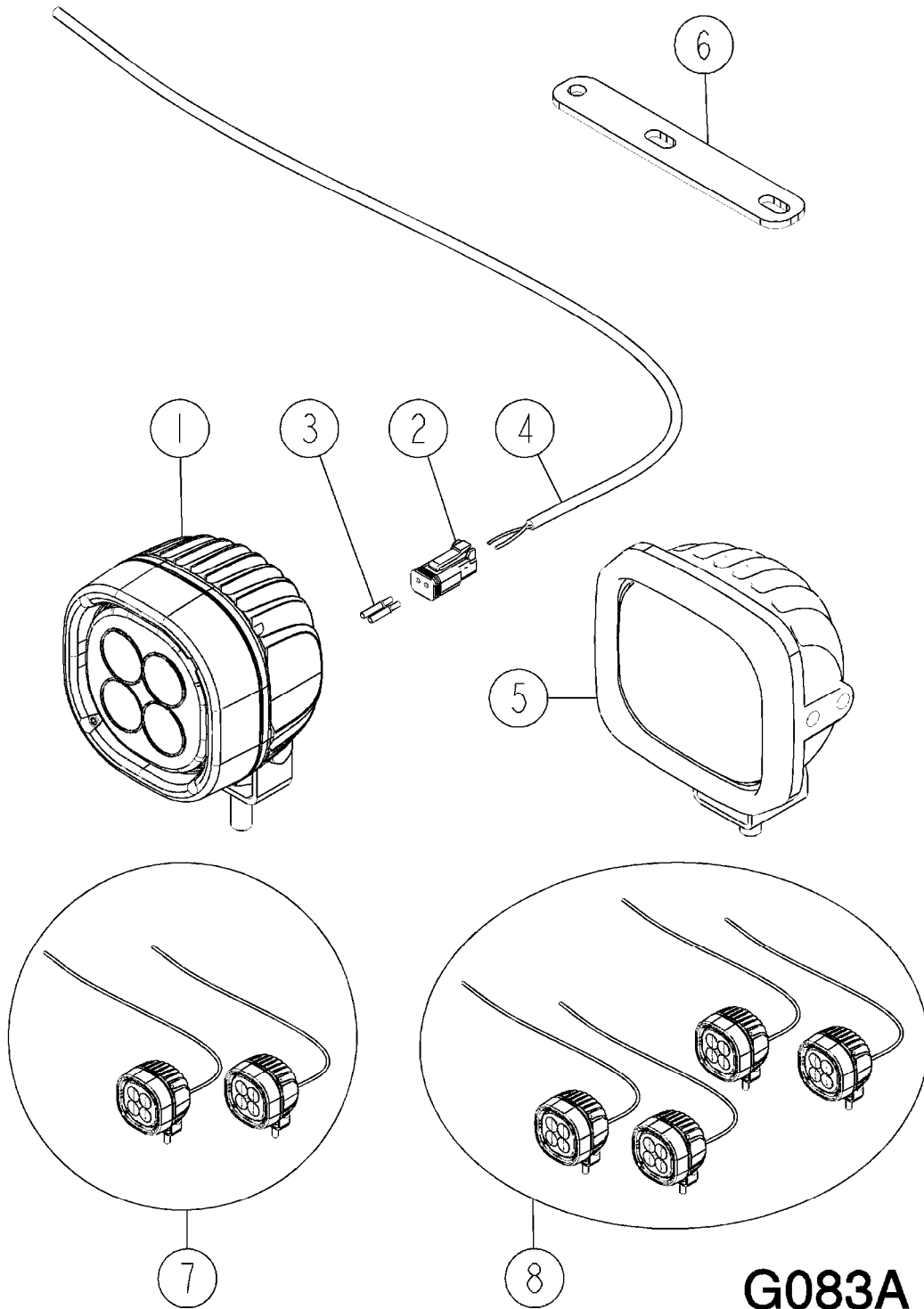
Pos.	parts-n°	order qty	description
5	26043700	1	SENSOR, NORAC, UC5, ULTRASONIC
6	16416601	1	SUPPORT ROLL SENSOR NORAC
7	26043600	1	MODULE, INPUT, NORAC UC5
8	26022903	1	CABLE UC5 NETWORK 14 AWG 10M Module n°15 à l'intérieur du jobcom/module n°15 in the jobcom
8	26049600	1	CABLE UC5 DT06 FEMA. JC L=8.5M
9	16516601	1	SUP CAPT INCLIN BAL LPA5 +SUIV
10	28097000	1	TRANSDUCER KIT F.US SENSOR Comprenant/including : 1 transducteur/transducer+2 disques mousse/foam disc+1 joint/o-ring
11	26047100	1	CABLE UC5 NETWORK 14 AWG 1M
12	26044200	1	CABLE UC5 NETWORK 18 AWG 20M
13	26043300	1	CABLE UC5 VALVE 2PIN/2PIN DT
14	16397201	1	SUPPORT CAPTEUR ULTRASON ALU
15	26043400	1	NORAC UC5 CONTROLLER MODULE
16	26043500	1	NORAC UC5 VALVE MODULE
17	26044300	1	NORAC UC5 ROLL SENSOR
18	26043900	1	NORAC UC5 NETWORK COUPLER 8-WAY
19	26043800	1	NORAC UC5 NETWORK COUPLER 2-WAY
20	26044400	1	NORAC UC5 - UC7 COUPLER 2-WAY/TERM.
21	26043000	1	NORAC UC5 NETWORK 2 PIN PLUG
22	26058000	1	NORAC UC5 NETWORK 12-PIN PLUG
23	26057900	1	UC5 NETWORK 6 PIN PLUG
24	78216100	1	NORAC VALVE BLOCK COMP, DEUTSCH CON.
25	28050303	1	NORAC RUBBER TOP&BOLT F.SENSOR DIA.30MMX30MMX8MM
27	28086500	1	UC4 SENSOR MOUNTING BKT. NORAC
28	28086600	1	FOAM DISC F. SENSOR NORAC
29	26039300	1	CABLE, DAH UC5 INPUT MODULE
30	26032500	1	UC5/ISO INTERFACE CABLE Seulement si module 15 est à l'extérieur du jobcom/only if module 15 is out of jobcom
31	26022903	1	CABLE UC5 NETWORK 14 AWG 10M Module n°7 sur balançoire/module n°7 on rear frame
31	26049900	1	CABLE UC5 NETWORK 14 AWG 3M
32	26022903	1	CABLE UC5 NETWORK 14 AWG 10M Module n°7 sur balançoire/module n°7 on rear frame
32	26039100	1	CABLE, DT06 6P FEMALE L=300MM Modules n°7 et 15 dans jobcom/modules n°7 and 15 in jobcom
33	61049201	1	SUPPOR CAPT NORAC FAIBLE ENCOM
34	16666701	1	SUPPORT FLANGE NORAC METEOR
35	16745001	1	SENSOR SUPPORT NORAC
36	28096000	1	MOUNTING BRACKET F.UC4
37	16788501	1	NORAC BRACKET FLANGE
38	16788601	1	NORAC BRACKET FLANGE
39	16788701	1	NORAC ANGLE BRACKET



LED BOOM LIGHT
G083A, 17:11:14

Page 0

Date 07.02.2020 8:01



G083A

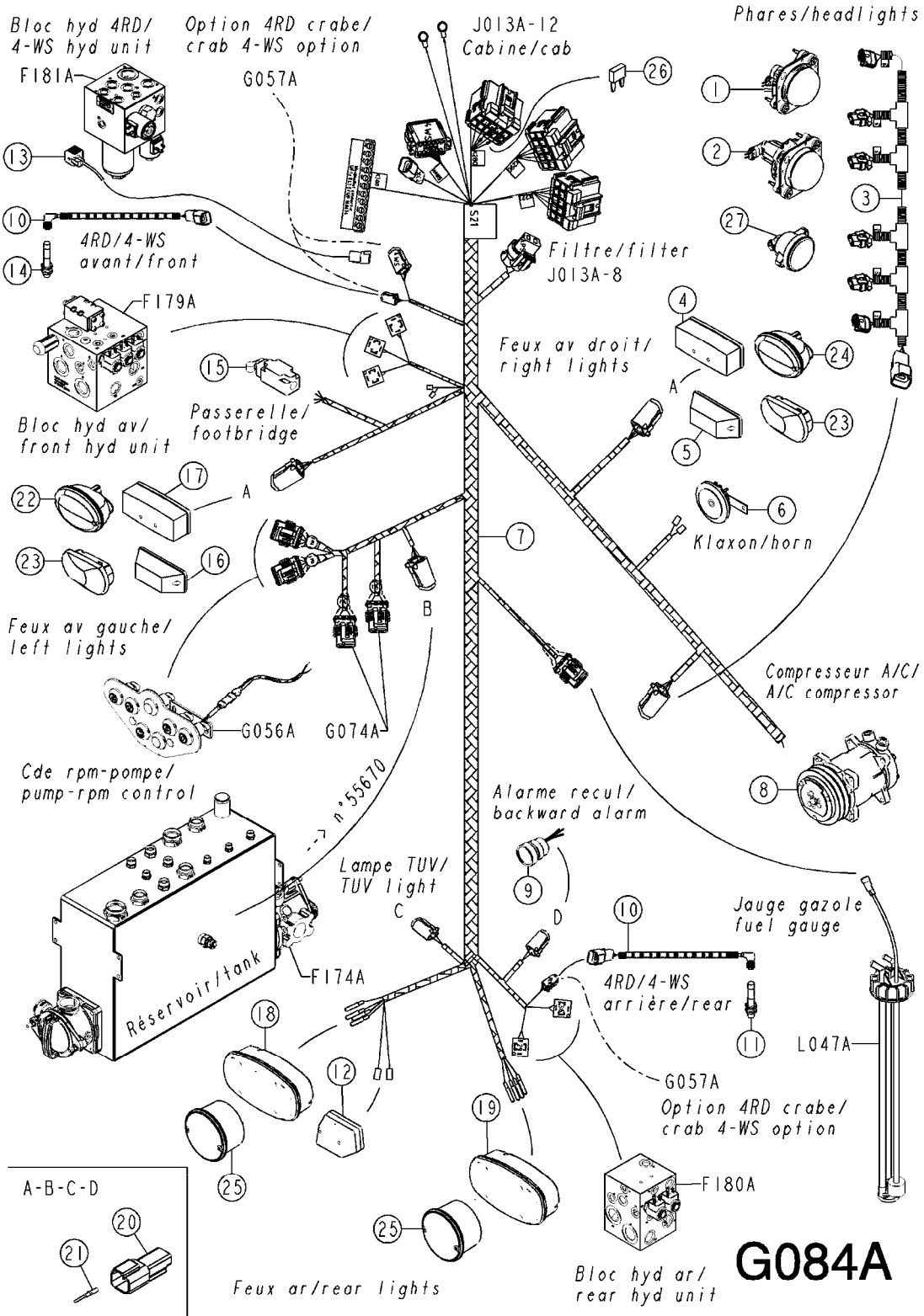


LED BOOM LIGHT
G083A, 17:11:14

Page 1

Date 07.02.2020 8:01

Pos.	parts-n°	order qty	description
1	26083601	1	BOOM LIGHT, LED BLUEBEAM
2	26039501	1	CONNECTOR DT06-2S-W2S
3	268413	1	FEMALE CONTACT 16x14 0462-209-16141
4	983615	1	CABLE 2X1' H05VVF BLACK SHEATH
5	26054001	1	LED LIGHT UMX4460
6	16825001	1	BLUEBEAM LIGHT BRACKET
7	76009601	1	KIT 2 LIGHTS, LED BLUEBEAM+CONN+PINS+CABLE
8	76009701	1	KIT 4 LIGHTS, LED BLUEBEAM+CONN+PINS+CABLE

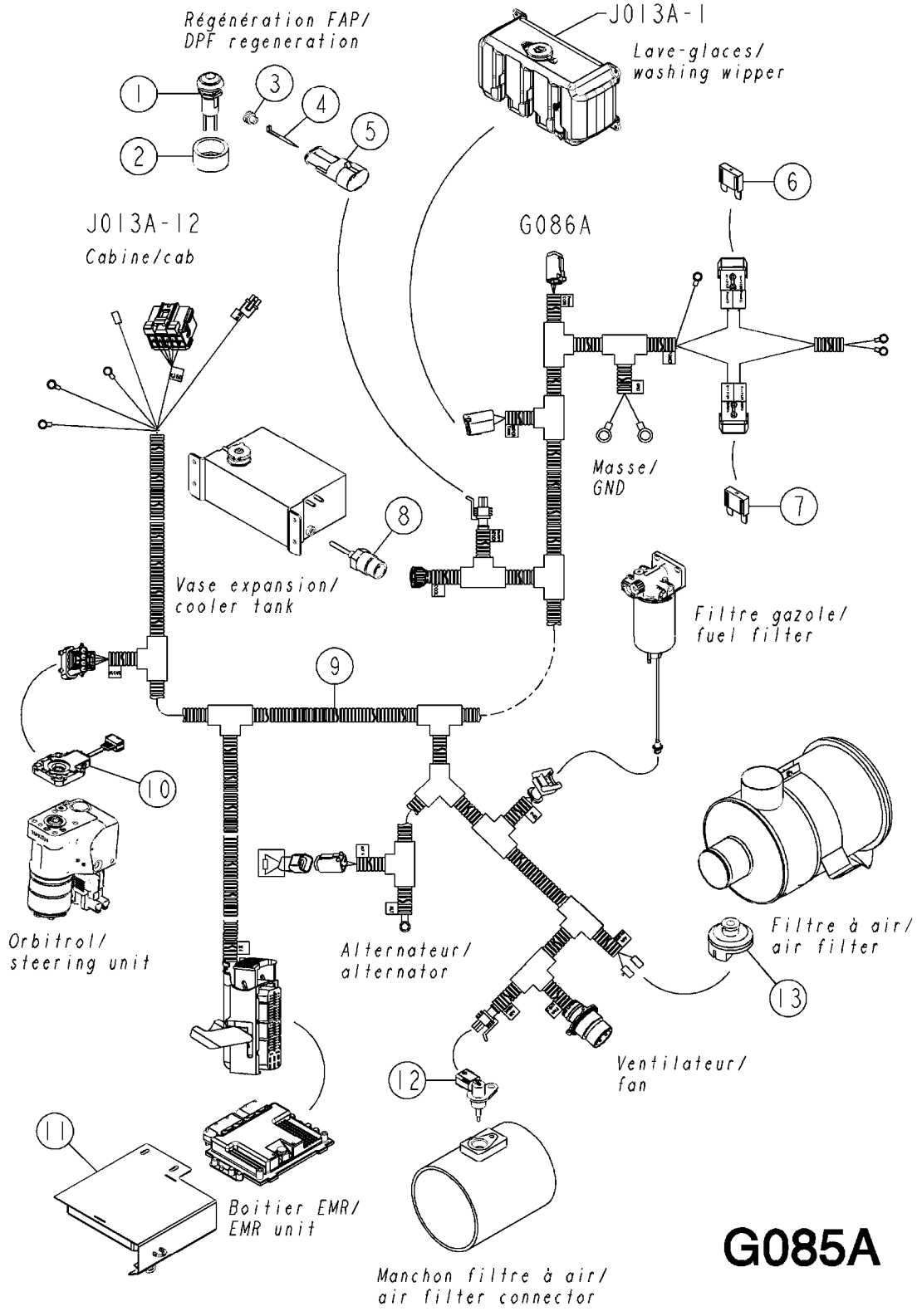




CHASSIS HARNESS ALPHA EVO
ECODRIVE
G084A, 19:01:15

Page 1
Date 07.02.2020 8:01

Pos.	parts-n°	order qty	description
1	26016101	1	LOW BEAM (ECE)
1	26044901	1	LOW BEAM LIGHT, SAE, SARITOR Seulement/only USA
2	26016201	1	HIGH BEAM LIGHT (ECE)
2	26045001	1	HIGH BEAM LIGHT, SAE, SARITOR Seulement/only USA
3	26027801	1	WIRING HARNES
4	268379	1	POSITION INDICATOR LIGHT, FR
5	268378	1	RIGHT SIDE INDICATOR LIGHT 2BM 006 692-021
6	268899	1	HORN 12V BIP/1
7	26027401	1	FRAME HARNESS, ALPHA EVO 3500-4100
8	268550	1	A/C COMPRESSOR 12V A41323
9	268045	1	BACK UP SIGNAL, 12V, 90DB 494-08872
10	26027901	1	4WS SENSOR ELECTRIC CABLE, L1M, ALPEVO
11	268055	1	REAR STEERING SENSOR
12	268019	1	LICENSE PLATE LIGHT
13	26044501	1	ELECTRIC CABLE 268816-DT04 4P L1,5M ALPEVO
14	268122	1	FRONT STEERING SENSOR
15	268766	1	LIMIT SWITCH GLAB20D
16	268377	1	LEFT SIDE INDICATOR LIGHT 2BM 006 692-017
17	268380	1	POSITION INDICATOR LIGHT, FL
18	268707	1	REAR LIGHT ALHPA LEFT SIDE
19	268708	1	REAR LIGHT ALHPA RIGHT SIDE
20	26026701	1	DEUTSCH CONNECTOR DT04-6P-W6P A
20	26026801	1	DEUTSCH CONNECTOR AIR COND CABIN CNH C
20	26026901	1	DEUTSCH CONNECTOR DT04-2P-W2P D
20	26027601	1	CONNECTEUR DTM04-4P-WM4P B
21	26027701	1	CONTACT FEMALE DTM 0462-201-20141 B
21	268433	1	MALE CONTACT 16X14 0460-215-16141 A-C-D
22	268737	1	HEAD LIGHT WITH TURN INDICATOR LH (ECE)
22	26012101	1	LIGHT, FRONT L/R, USA
23	268731	1	SIDE INDICATOR LIGHT 2BM 008 355-007 Seulement/only USA
24	268738	1	HEAD LIGHT WITH TURN INDICATOR RH (ECE)
24	26012101	1	LIGHT, FRONT L/R, USA
25	26011901	1	REAR TURN SIGNAL, ORANGE LED Seulement/only USA
25	26012001	1	REAR LIGHT STOP/POSITION RED LED Seulement/only USA
26	268140	1	MINIFUSE 7.5A BROWN
27	26011601	1	WORK LIGHT 1GO 996 176-061 HELLA 70 H9 CR



G085A

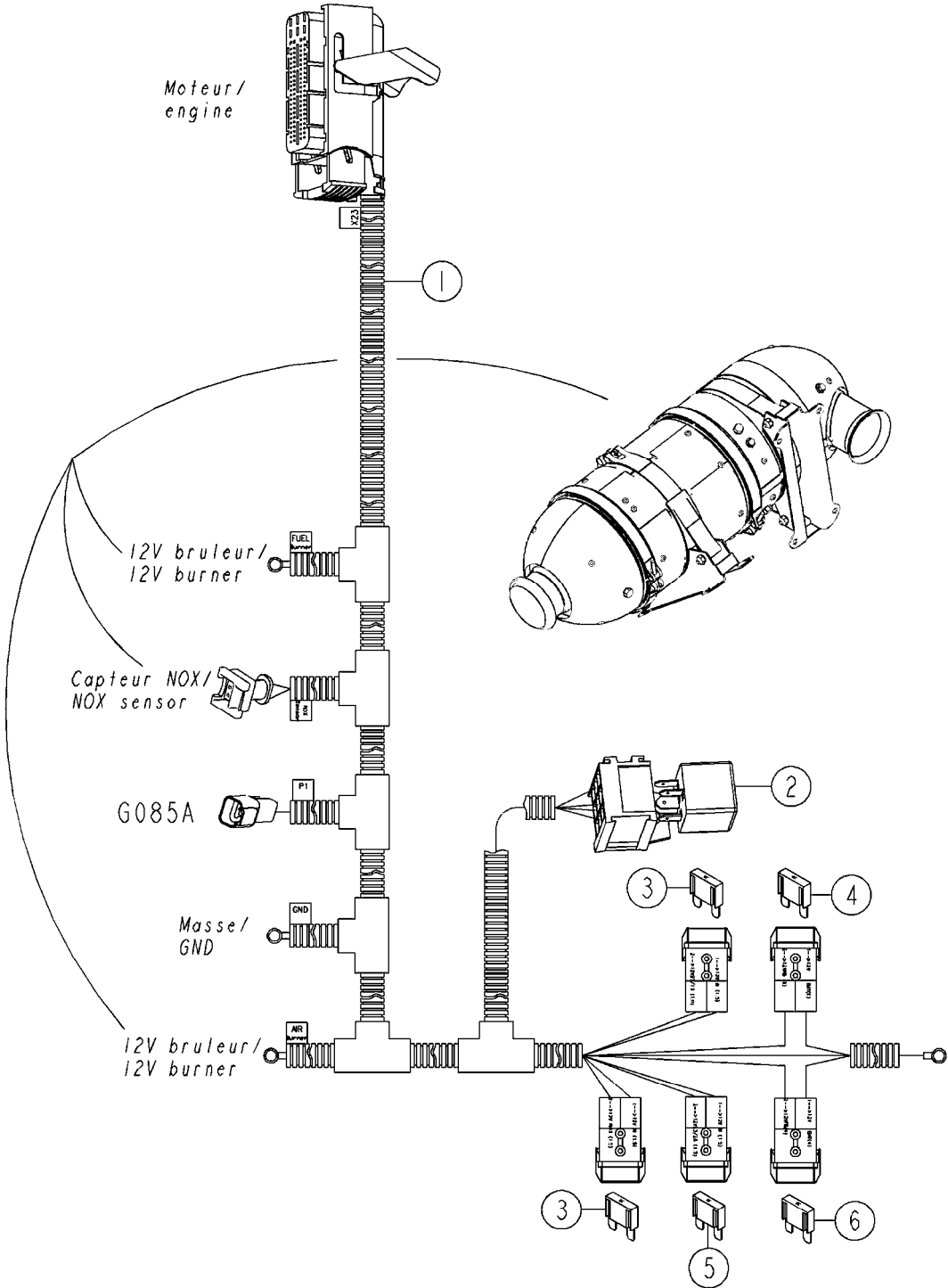


STAGE 3B ENGINE HARNESS,
ALPHA EVO
G085A, 27:01:15

Page 1

Date 07.02.2020 8:01

Pos.	parts-n°	order qty	description
1	26047301	1	PUSHBUTTON SWITCH ON-OFF RED
2	26047201	1	TRIM U6532
3	262052	1	AMP WIRE SEAL GREEN 1.4-1.7
4	262049	1	AMP TAB TERMINAL .5-1.5
5	262043	1	AMP CAP 2 POLE
6	268160	1	FUSE, 10A, 257010AT
7	268786	1	FUSE 30A 299030
8	26040601	1	LEVEL SENSOR COOLANT TANK
9	26038701	1	ENGINE HARNESS T3B ALPEVO V1 Jusqu'au/until n°55670
9	26051201	1	ENGINE HARNESS T3B ALPEVO V2 A partir du/from n°55671
10	26013901	1	SASA SENSOR
11	63074801	1	SUPPORT EMR4 T3B ALP EVO
12	26040501	1	AIR FILTER INPUT SENSOR
13	26040701	1	AIR FILTER SENSOR



G086A

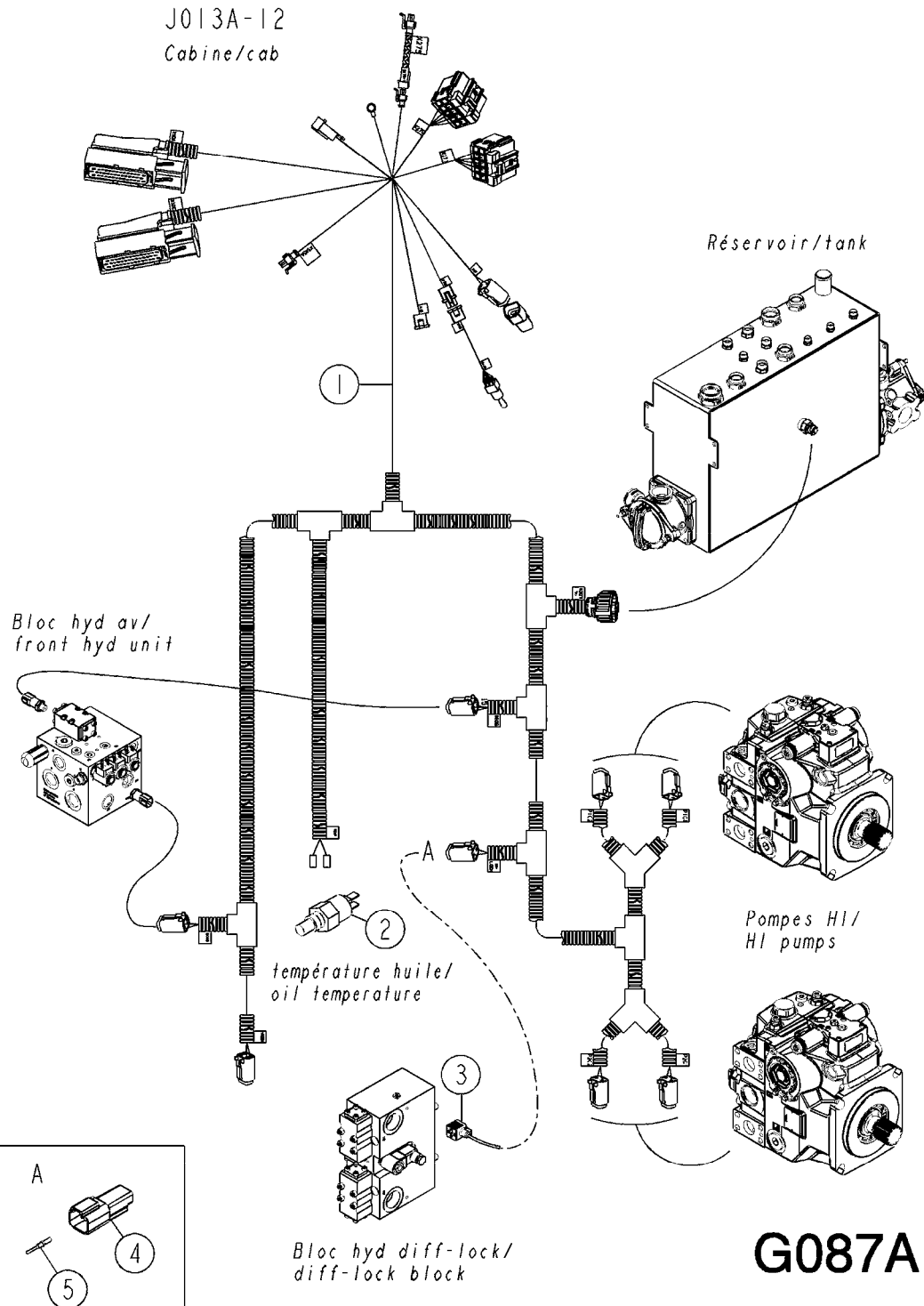


POWER HARNESS ALPHA-VTK EVO
ECODRIVE
G086A, 27:01:15

Page 1

Date 07.02.2020 8:01

Pos.	parts-n°	order qty	description
1	26039701	1	POWER HARNESS 160-180KW T3B EVO
1	26052901	1	POWER HARNESS 129KW T3B EVO
2	26064301	1	RELAIS 12V 20A 4RD.933.332-031
3	268028	1	FUSE 15A, 257015AT
4	26061401	1	FUSE MAXI 60A 299060
5	268160	1	FUSE, 10A, 257010AT
6	268786	1	FUSE 30A 299030



G087A

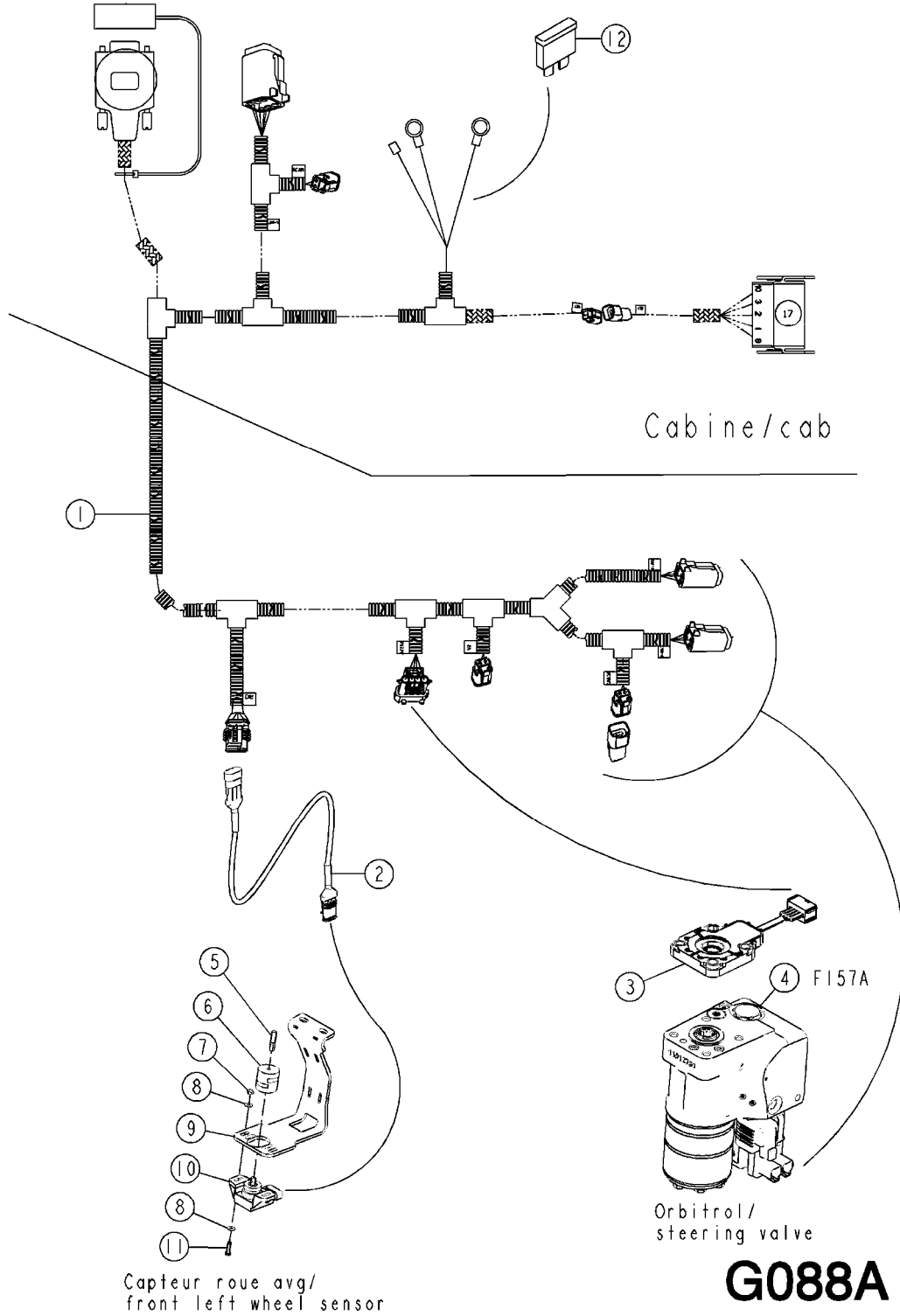


HYDRAULIC HARNESS
ALPHA-VARITRACK ECODRIVE
G087A, 28:01:15

Page 1

Date 07.02.2020 8:01

Pos.	parts-n°	order qty	description
1	26038701	1	ENGINE HARNESS T3B ALPEVO V1 Jusqu'au/until n°55670
1	26051301	1	HYD. HARNESS ST3B-4F-5 ALPEVO II 35-41 A partir du/from n°55671
2	26005601	1	PROBE 90°C NC M14X1,5
3	268816	1	CONNECTOR+CABLE L1,5M 247592
4	26026901	1	DEUTSCH CONNECTOR DT04-2P-W2P
5	268433	1	MALE CONTACT 16X14 0460-215-16141



Capteur roue avg /
front left wheel sensor

Orbitrol /
steering valve

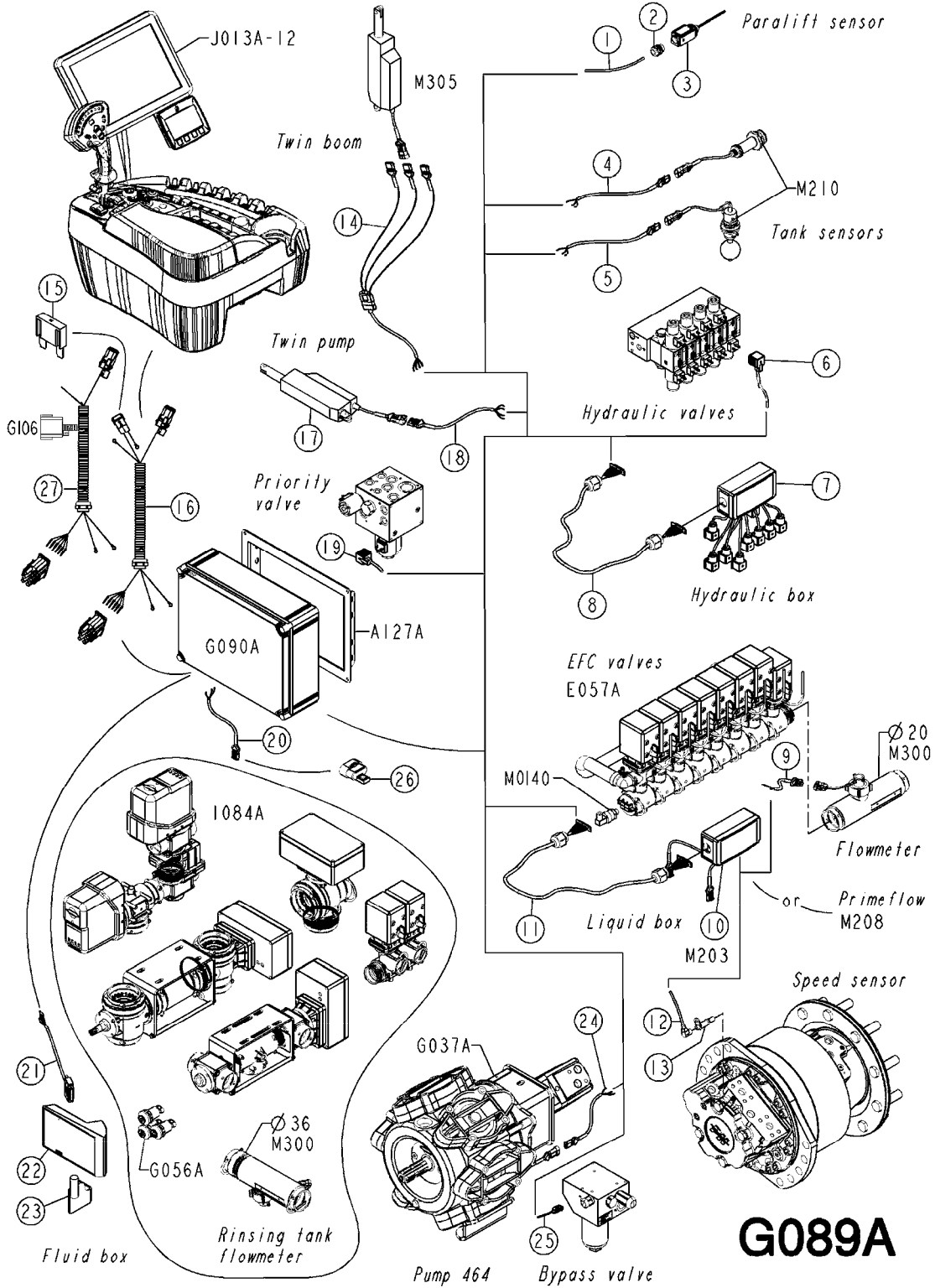
G088A



AUTOSTEER READY HARNESS ALPHA
EVO
G088A, 02:04:15

Page 1
Date 07.02.2020 8:01

Pos.	parts-n°	order qty	description
1	26045301	1	HARNESS, CAN AUTOSTEER READY, OTHER BRANDS
2	26086100	1	CABLE SS 3P F-SS 3P M L=3.0M
3	26013901	1	SASA SENSOR
4	78207501	1	STEERING VALVE CAN BUS 60/200 LS 20
5	14011301	1	PIVOT SHAFT SENSOR
6	28027301	1	ELASTIC COUPLING 721-5617
7	468041	1	NUT HEX M4 A2 LOCK DIN 985
8	478056	1	WASHER M4U D4.25/D10X0.8 SS A2
9	16529101	1	SENSOR SUPPORT PIVOT ALPEVO
10	26039301	1	ANGLE SENSOR 70° 0,5-4,5V SIMPLE
11	418007	1	SCREW HM 4-16/16 8,8 DIN933 DEL
12	268313	1	FUSE AUTOFUSE 25A



G089A



SPRAYER ELEC.CIRCUIT HC9500
ALPHA EVO ECODRIVE
G089A, 11:06:15

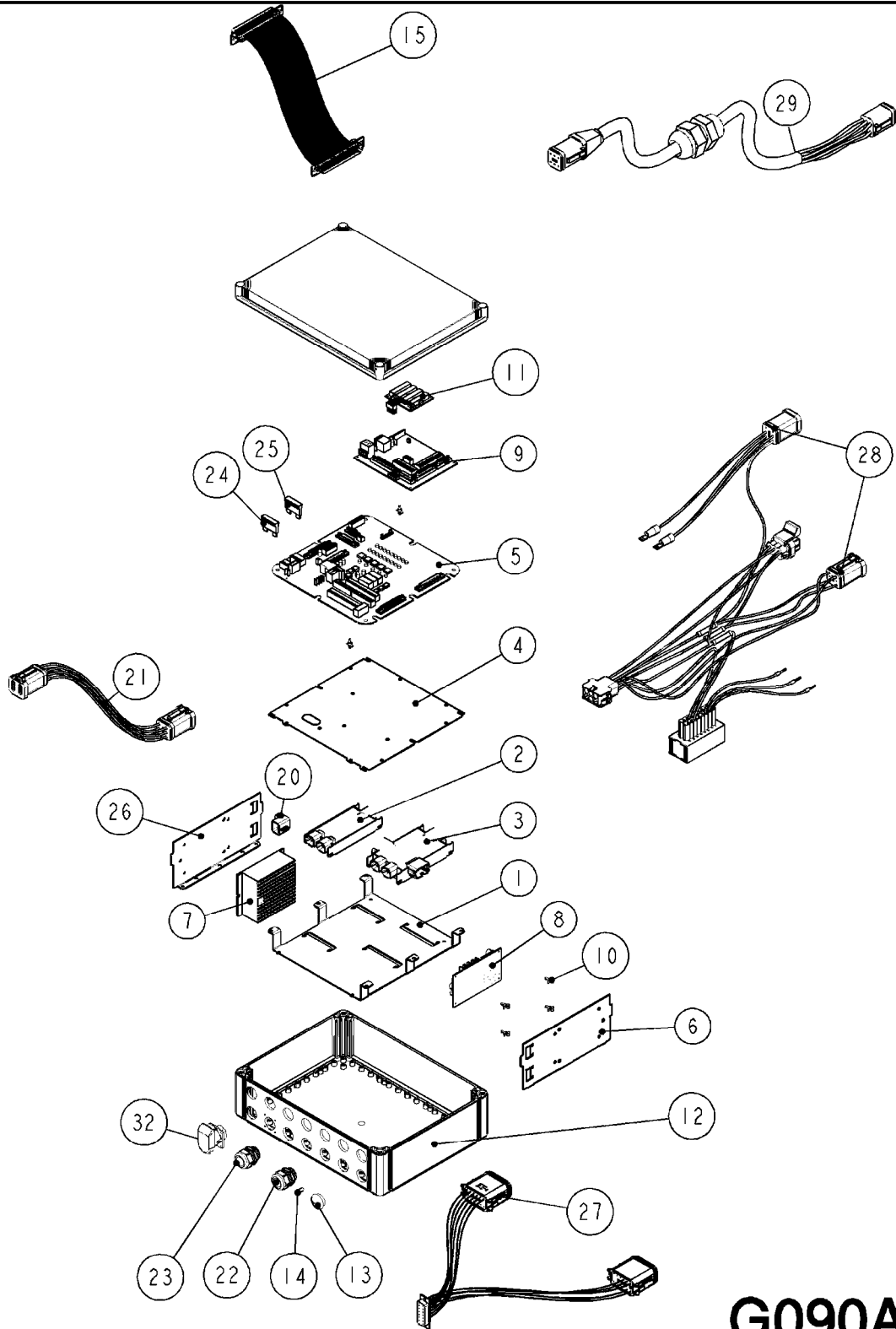
Page 1
Date 07.02.2020 8:01

Pos.	parts-n°	order qty	description
1	983615	1	CABLE 2X1² H05VVF BLACK SHEATH
2	268711	1	CABLE BULKHEAD Z0101300
3	26058401	1	SENSOR POSITION GLDB01E7B
4	26046400	1	CABLE AMP SS 3P FEMA L=2000MM
5	26046700	1	CABLE AMP SS 3P FEMA L=5000MM
6	72935400	1	CABLE BOOM UP/DOWN ALPHA EVO Distributeur montée descente/lift valve
7	26018600	1	HYDR. JUNCTION BOX HAZ/HPZ DAH
8	26016900	1	CABLE DB25M - DB25F L=8.5m
9	26006000	1	LEAD F AMP SUPERSEAL 3 WAYS L1,5M
10	72310000	1	JUNCTION BOX F.13S EC
11	26004900	1	CABLE FEM/MALE 37P L=9.5M
11	26015000	1	CABLE DB37F-DB37M+DB25M L=9.5m
12	26008701	1	ELECTRIC CABLE M12-90GR -5000
13	26054201	1	SPEED SENSOR TD 12-53 DOUBLE OUTPUT
14	26023000	1	CABLE-TWIN L=11.7M NCM
15	268786	1	FUSE 30A 299030
16	26034601	1	JOB COM HARNESS HC9500 EVO
17	26047400	1	ACTUATOR 0-130MM L=0,5M/4WIREAMP
18	26027700	1	CABLE M. 4-POLE AMP L=4M V2
19	72935500	1	CABLE BYPASS VALVE ALPHA EVO
20	26045900	1	CABLE L = 1.25M, AMP, MALE, 2P
20	26046300	1	CABLE L = 1.25M, AMP, MALE, 3P
20	26046400	1	CABLE AMP SS 3P FEMA L=2000MM
20	26046500	1	CABLE AMP SS 3P FEMA L=3000MM
20	26046700	1	CABLE AMP SS 3P FEMA L=5000MM
21	26047500	1	CABLE DB25F FLUIDBOX CM11
22	26034500	1	HC 6201 FLUID BOX
23	61039801	1	SUPPORT HC6200 VTKEVO
24	26046500	1	CABLE AMP SS 3P FEMA L=3000MM
25	72935200	1	CABLE MAIN PUMP PWM ALPHA EVO
26	33520400	1	CAP, AMP, 2P, FEMALE
26	33520500	1	CAP, AMP, 3P, FEMALE
27	26078901	1	FRAME HARNESS ISOBUS-HARDI ALPHA



JOB COM HC9500 ALPHA EVO
ECODRIVE
G090A, 14:09:16

Page 0
Date 07.02.2020 8:01



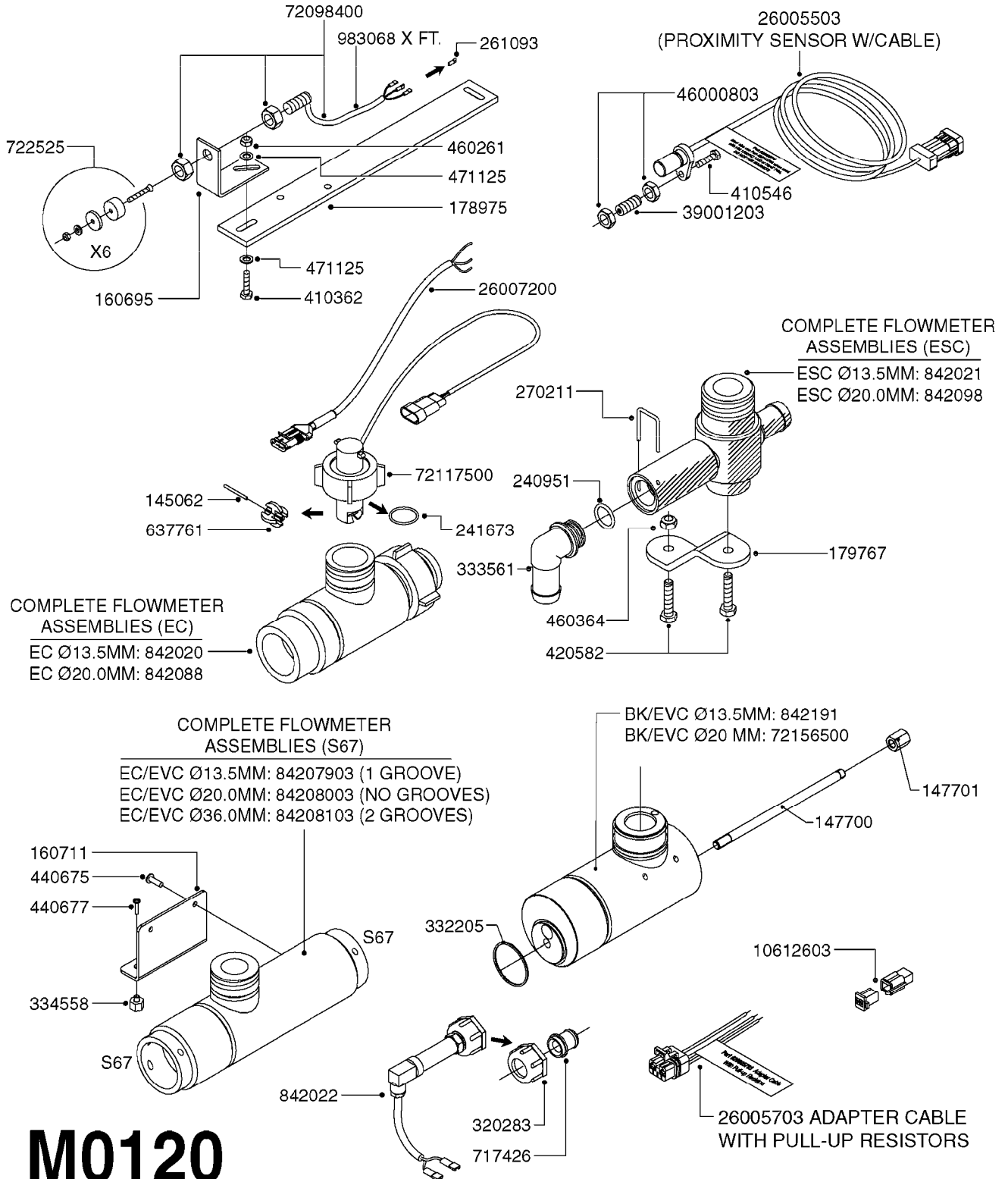
G090A



JOB COM HC9500 ALPHA EVO
ECODRIVE
G090A, 14:09:16

Page 1
Date 07.02.2020 8:01

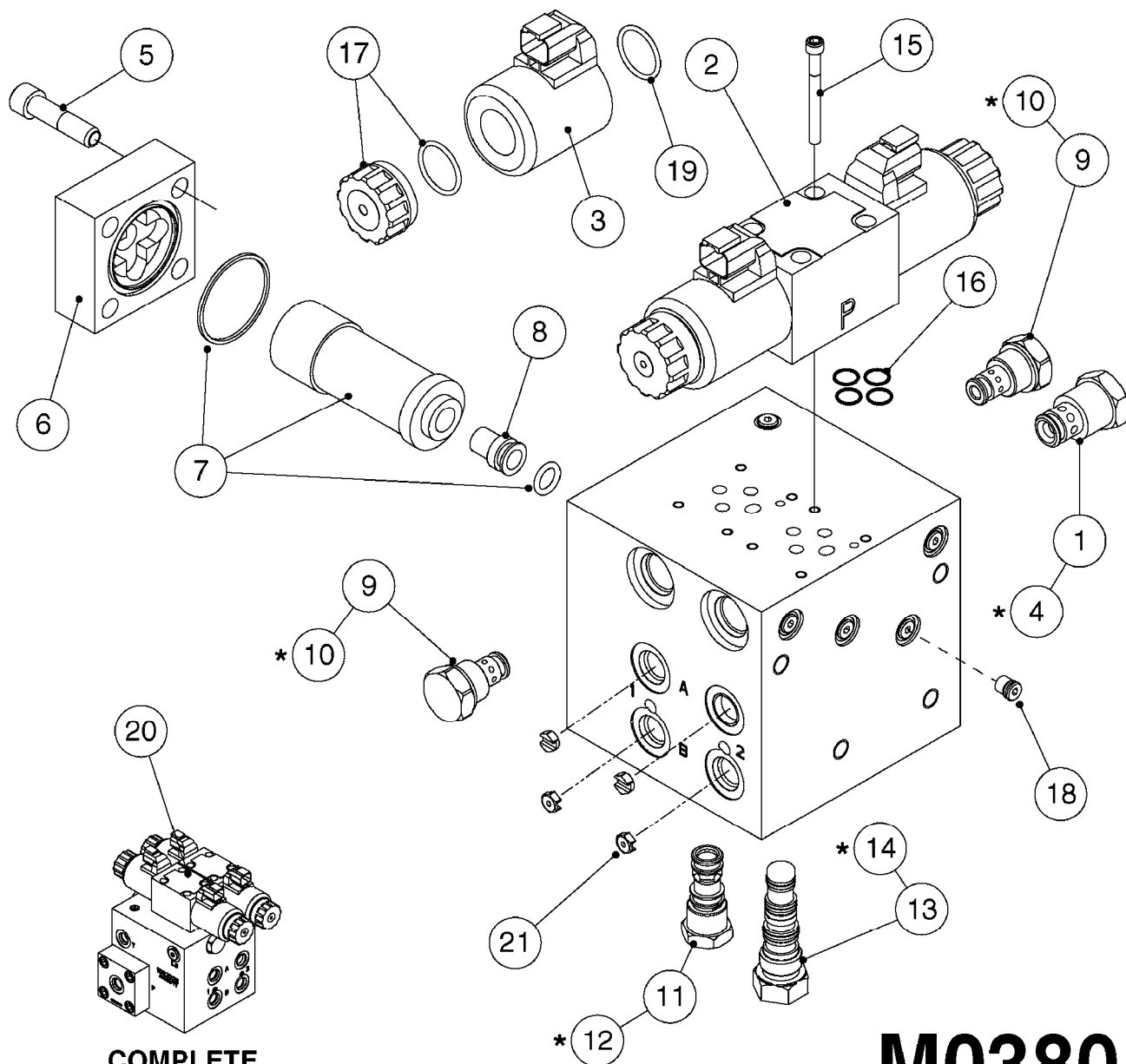
Pos.	parts-n°	order qty	description
2	26043400	1	NORAC UC5 CONTROLLER MODULE
3	26043600	1	MODULE, INPUT, NORAC UC5
4	16439200	1	PLATE, JOBCOM MOUNT, JC HW3.X
5	26052700	1	JOBCOM PCB ASSY HW3.1
7	26031200	1	C2C ISOBUS BRIDGE 16PIN STW
9	72437600	1	DAH F. JOBCOM COMMANDER 44/66
10	26005100	1	CONNECTOR FOR PCB, PLASTIC
11	26031100	1	PCB ASSY. FOR NORAC INTERFACE
13	26004600	1	PLUG F.DRILLED HOLE 21MM
15	26005900	1	WIRE 37/37 POLE DAH/JOBCOM
20	26032700	1	ACTIVE ISOBUS TERMINATOR
21	26039100	1	CABLE, DT06 6P FEMALE L=300MM
24	268160	1	FUSE, 10A, 257010AT
25	268028	1	FUSE 15A, 257015AT
27	26039300	1	CABLE, DAH UC5 INPUT MODULE
28	26052500	1	CABLE, ISO SP JC-C2C-UC5, HW3.X
29	26049600	1	CABLE UC5 DT06 FEMA. JC L=8.5M
32	28048000	1	PLUG 3-POL DIN 9680 FEM.CHASS



M0120



parts-n°	order qty	description
145062	1	ROTOR SHAFT
147700	1	STUD BOLT M8 X 158MM
147701	1	NUT HEX M8 STAINLESS L=16
160695	1	BRACKET F.SENSOR
160711	1	BRACKET FOR FLOW METER
178975	1	MOUNT BRACKET F. SPEED SENSOR
179767	1	FLOW SENSOR MOUNTING BRACKET
240951	1	O-RING D21.2X3 NITRIL
241673	1	O-RING D22.1X1.6
261093	1	SPADE F.ELEC.WIRE DK 2.8X0.8
270211	1	FITT.DK S25 FORK L=37.5
320283	1	FITT.DK NUT 3/4"BSP
332205	1	O-RING D43/39XD2
333561	1	FITT.DK ELB.1" EC RETURN
334558	1	NUT HEX PLASTIC INSERT
410362	1	BOLT HEX 8.8 SS M6X20
410546	1	BOLT HEX M6X12 A2 SS DIN933
420582	1	BOLT HEX 8.8 DEL M8X20 FT A2
440675	1	SCREW F. PLASTIC 5X16 SS
440677	1	SCREW F. PLASTIC 5X20 SS
460261	1	NUT HEX M6X1.00 LOCK DIN985 A2 SS
460364	1	NUT HU M8 A2 SS DIN934
471125	1	WASHER M6U 6.4X14X1.2,A2 SS
637761	1	ROTOR F.FLOWMETER - PILOT
717426	1	FITT.DK REDUC 1/4"BSP F.3/4"N
722525	1	MONITOR MAGNETS SET OF 8PCS
842020	1	HP FLOW METER EC 2-30 GPM
842021	1	HP FLOW METER ESC 2-30 GPM
842022	1	HP PRESS. TRANSDUCER 0-150 PSI
842088	1	HP FLOW METER EC 4-70 GPM
842098	1	HP FLOW METER ESC 4-70 GPM
842191	1	HP FLOW METER BK/EVC 2-30 GPM
983068	1	ELEC. CABLE 3 WIRE X .25MM HP
10612603	1	KIT PLUG 6 PIN F.PILOT MONITOR
26005503	1	SPEED SENSOR/CABLE ASSY PROX
26005703	1	*SPEED SENS ADPT CBLE W PULLUP
26007200	1	CABLE 3POL AMP FEMALE L13M
39001203	1	THREAD PLST 1/2-13UNCXM6X1L=1"
46000803	1	NUT, 1/2-13 THIN
72098400	1	SPEED SENSOR W/CABLE 10000MM
72117500	1	FLOW SENSOR - M.AMP L=1M
72156500	1	HP FLOW METER PIN 4-70 GPM 20Ø
84207903	1	FLOW METER,2-30 GPM,S67,CAL
84208003	1	FLOW METER,4-70 GPM,S67,CAL
84208103	1	FLOW METER,20-160 GPM,S67,CAL



**COMPLETE
ASSEMBLY**

***SEAL KITS**

M0380



NORAC VAR. RATE VALVE UC4/UC5
M0380-HIN, 30:04:19

Page 1

Date 07.02.2020 8:01

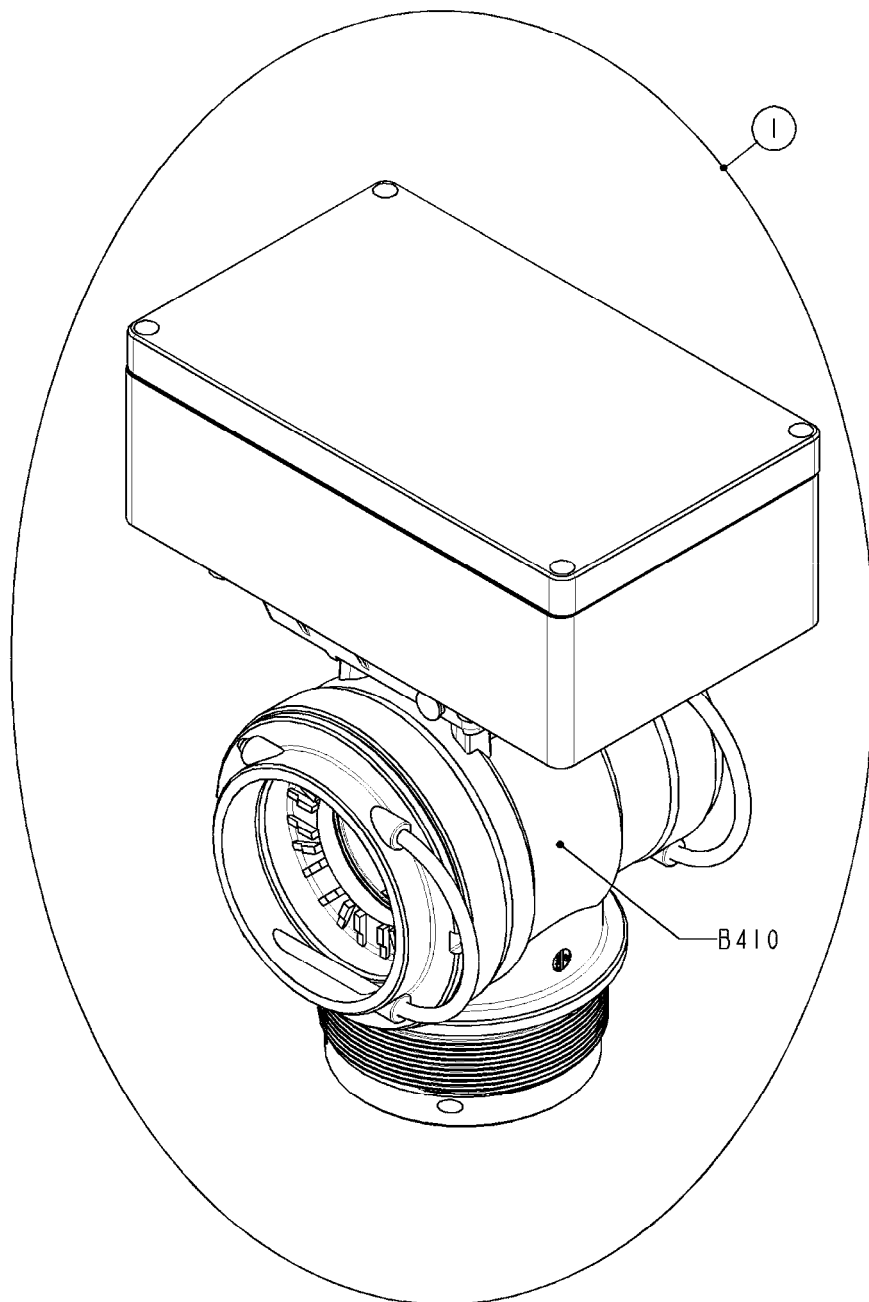
Pos.	parts-n°	order qty	description
1	28049403	1	NORAC CHECK VALVE
2	28055803	1	NORAC SOLENOID - DEUTSCH CONN.
3	28056503	1	COIL, NORAC, PROP, DEUTSCH
4	28066903	1	NORAC SEAL KIT F.28049403
5	28067103	1	NORAC HEX CAPSCREW 3/8X1-1/4"
6	28067203	1	NORAC FILTER CAP - 4 BOLT
7	28067303	1	KIT FILTER NORAC UC5 106285
8	28067403	1	NORAC VALVE FILTER INSERT
9	28067503	1	NORAC CHECK VALVE C-8-2
10	28067603	1	NORAC SEAL KIT F.28067503
11	28067703	1	NORAC CHECK VALVE C-8-3
12	28067803	1	NORAC SEAL KIT F.28067703
13	28067903	1	NORAC CHECK VALVE C-8-4
14	28068003	1	NORAC SEAL KIT F.28067903
15	28068103	1	NORAC HEX CAPSCREW 10-24X2 SS
16	28068203	1	NORAC O-RING F.SOLENOID VALVE
17	28074903	1	NORAC COIL NUT AND O-RING
18	28089903	1	NORAC PLUG#2 SAE ZERO-LEAK
19	28103603	1	O-RING SOLENOID BODY SEAL NORAC
20	78216100	1	NORAC VALVE BLOCK COMP, DEUTSCH CON.
21	78603300	1	NORAC ONE WAY ORIFICE, .047"



VALVE S93 WITH MOTOR
M310-HIA, 30:07:07

Page 0

Date 07.02.2020 8:01



M310



VALVE S93 WITH MOTOR
M310-HIA, 30:07:07

Page 1

Date 07.02.2020 8:01

Pos.	parts-n°	order qty	description
1	72373600	1	S93-MOTOR VALVE-AUTO FILL

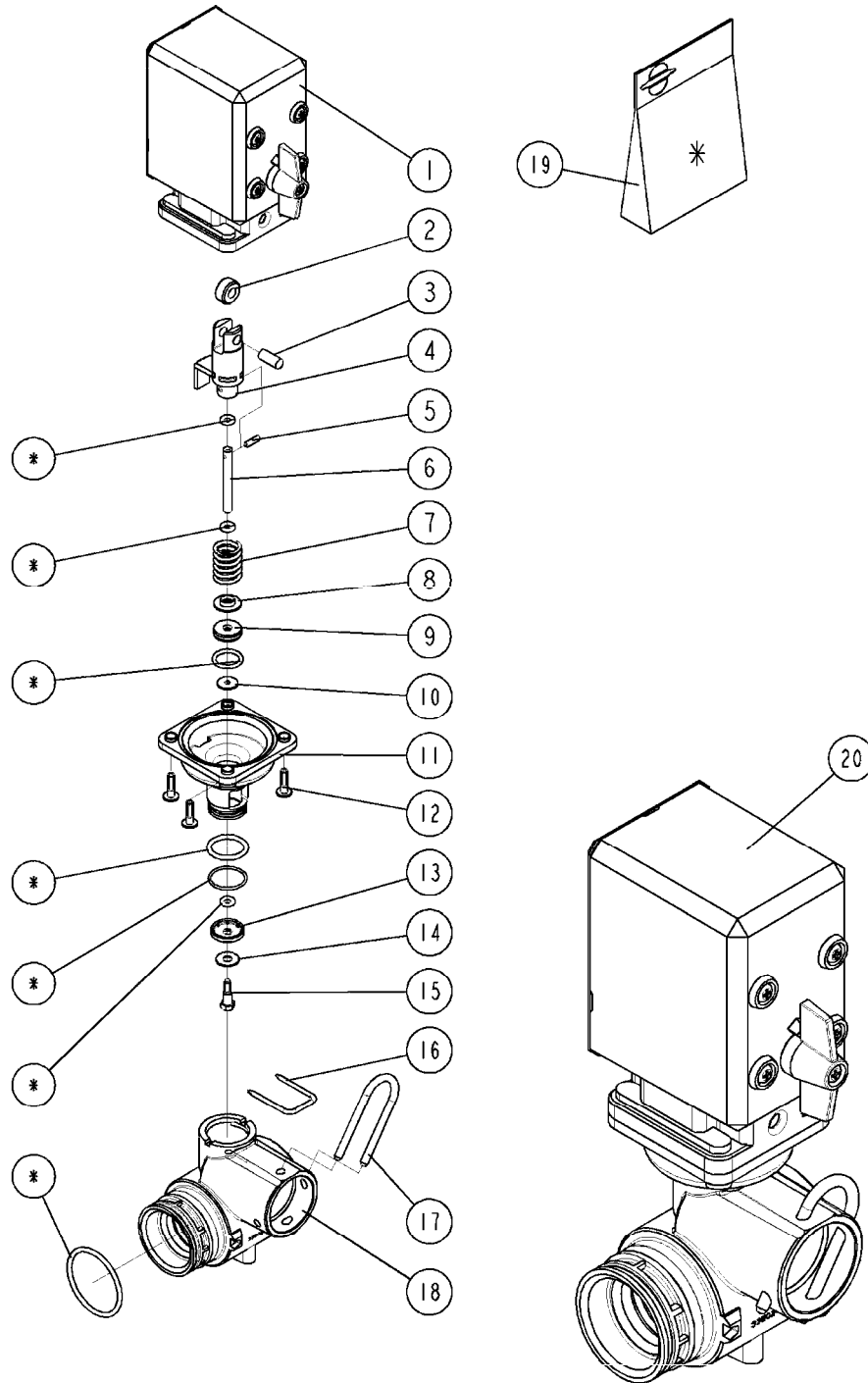


FLUSH VALVES CM 11i
M316-HIA, 16:07:12

Page 1

Date 07.02.2020 8:01

Pos.	parts-n°	order qty	description
1	726552	1	FIT.DK S-53X90 1/2" BSP,O-RING
2	242354	1	O-RING D32.2X3.0 VITON
3	39140700	1	ADAPTER S67-S53 FEM/FEM
4	145995	1	FITT.DK S-53 FORK
5	145996	1	FITT.DK S-67 FORK
6	72404600	1	SHUTOFF VALVE CYC. FILTER
7	61087300	1	S53 MALE-3/8-3/8 GLUED
8	421002	1	BOLT HEX 8.8 DEL M10X30 FT DIN933
9	39140800	1	PLUG F. ON/OFF VALVE
10	242153	1	O-RING D26X4 EPDM
11	16383300	1	WASHER D42X10.5 EP.2
12	460423	1	NUT HEX M10X1.50 LOCK DIN985A2 SS
13	242353	1	O-RING 3 X 44.2 VITON
13	241973	1	O-RING Ø3 X 44.2 70 SHORES NITRIL
14	334564	1	FITT.DK S-67 TO S-53 ADAPTER
15	72733500	1	VALVES PREASSY CM11 "i"
16	74196100	1	BAG OF 10 PCS. 241973 O-RINGS



M317



DIST. VALVE S67
M317-HIA, 17:07:12

Page 1

Date 07.02.2020 8:01

Pos.	parts-n°	order qty	description
1	72317100	1	MOTOR HOUSE DISTR. 1:300
2	210738	1	PIN Ø7 L16
3	210737	1	BEARING BALL D7 RSTO 5 TN
4	334053	1	SLIDE CONSOLE FOR EC SPINDLE
5	480616	1	SPINDLE PIN Ø 3X12 DIN1481 RST
6	145701	1	SPINDLE F/EC-DISTRIBUTOR
7	220662	1	PRESSURE SPRING D 18.5/26
8	333815	1	DISTANCE RING
9	333982	1	GUIDE FOR O-RING D15.3X2.4
10	167786	1	WASHER D13/D4.2X1
11	333524	1	DIAPHRAGM HOUSING BOTTOM PA
12	440675	1	SCREW F. PLASTIC 5X16 SS
13	333971	1	SUPP RING F/O-RING D15.3X2.4
14	163936	1	WASHER D15/D6.2X1
15	14021000	1	PINDBOLT M 4 L= 22 NV8 RSF
16	270211	1	FITT.DK S25 FORK L=37.5
17	145995	1	FITT.DK S-53 FORK
18	33502400	1	DISTRIBUTION HOUSING EFC
19	741822	1	SEAL KIT - 1 SECTION (05)
20	72404600	1	SHUTOFF VALVE CYC. FILTER



CM11 MAIN SPRAY VALVE S67
M318-HIA, 07:01:13

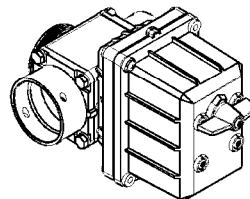
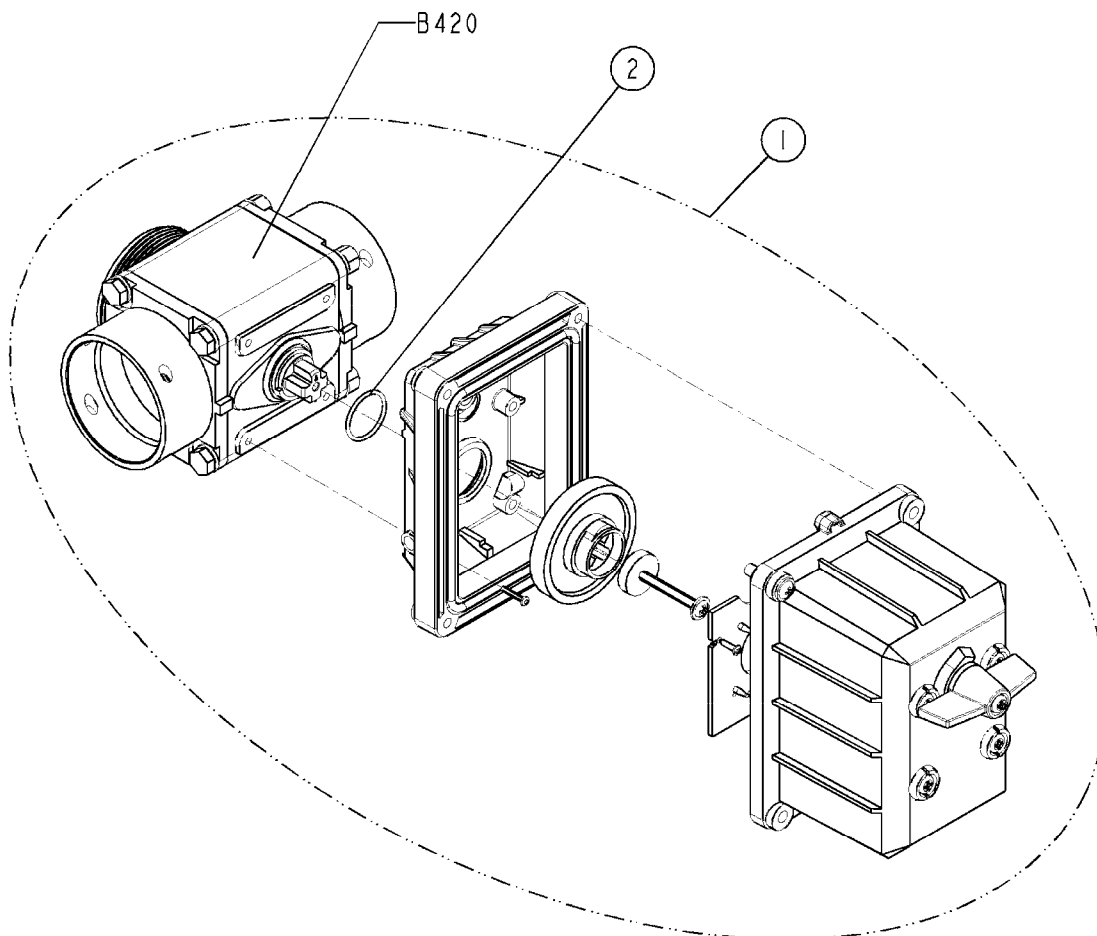
Page

0

Date

07.02.2020

8:01



M318



CM11 MAIN SPRAY VALVE S67
M318-HIA, 07:01:13

Page 1

Date 07.02.2020 8:01

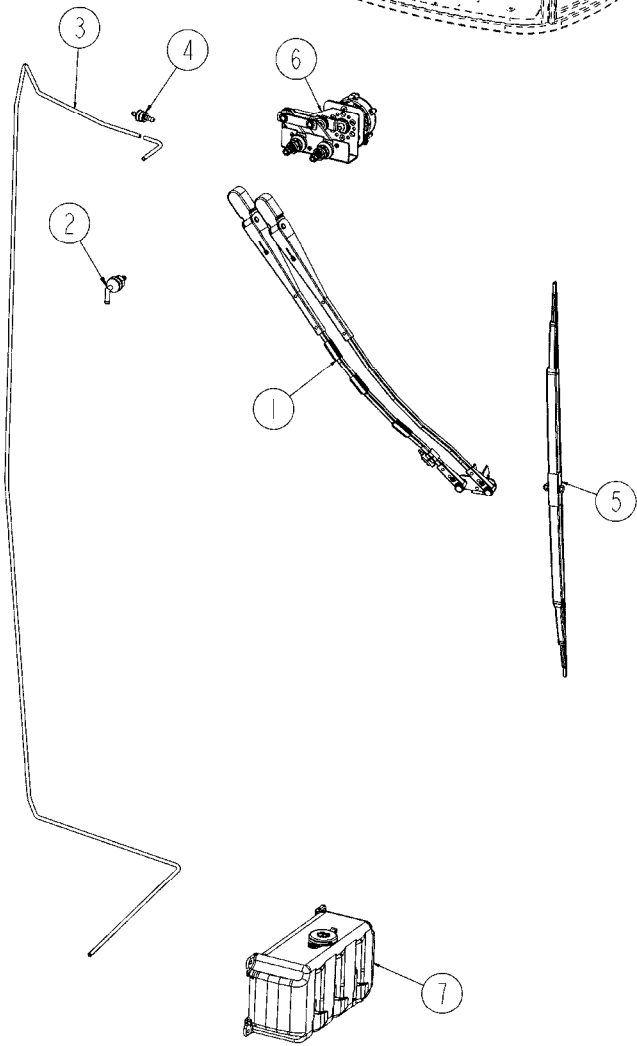
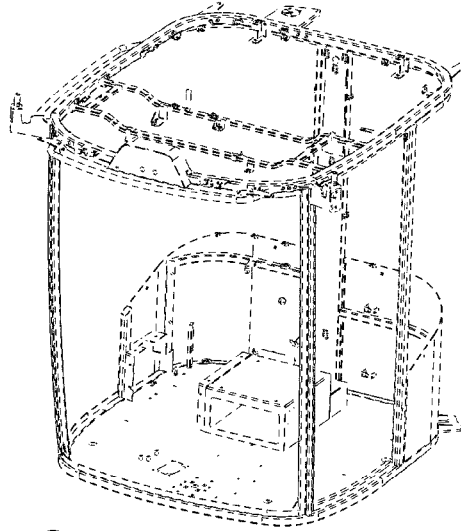
Pos.	parts-n°	order qty	description
1	72801400	1	VALVE EL.S67 GNB 90 GR. CM11
2	242006	1	O-RING D22/D19 X 1.5



CAB EVO WIPER
J013A-1, 05:05:15

Page 0

Date 07.02.2020 8:01



J013A-1



CAB EVO WIPER
J013A-1, 05:05:15

Page 1

Date 07.02.2020 8:01

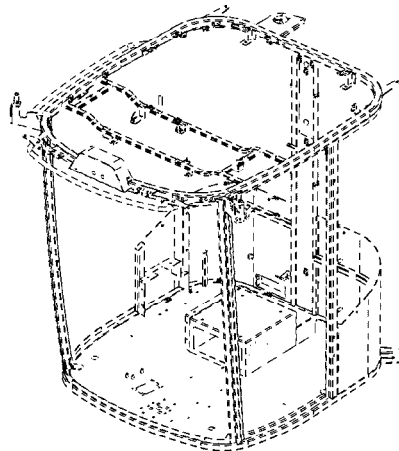
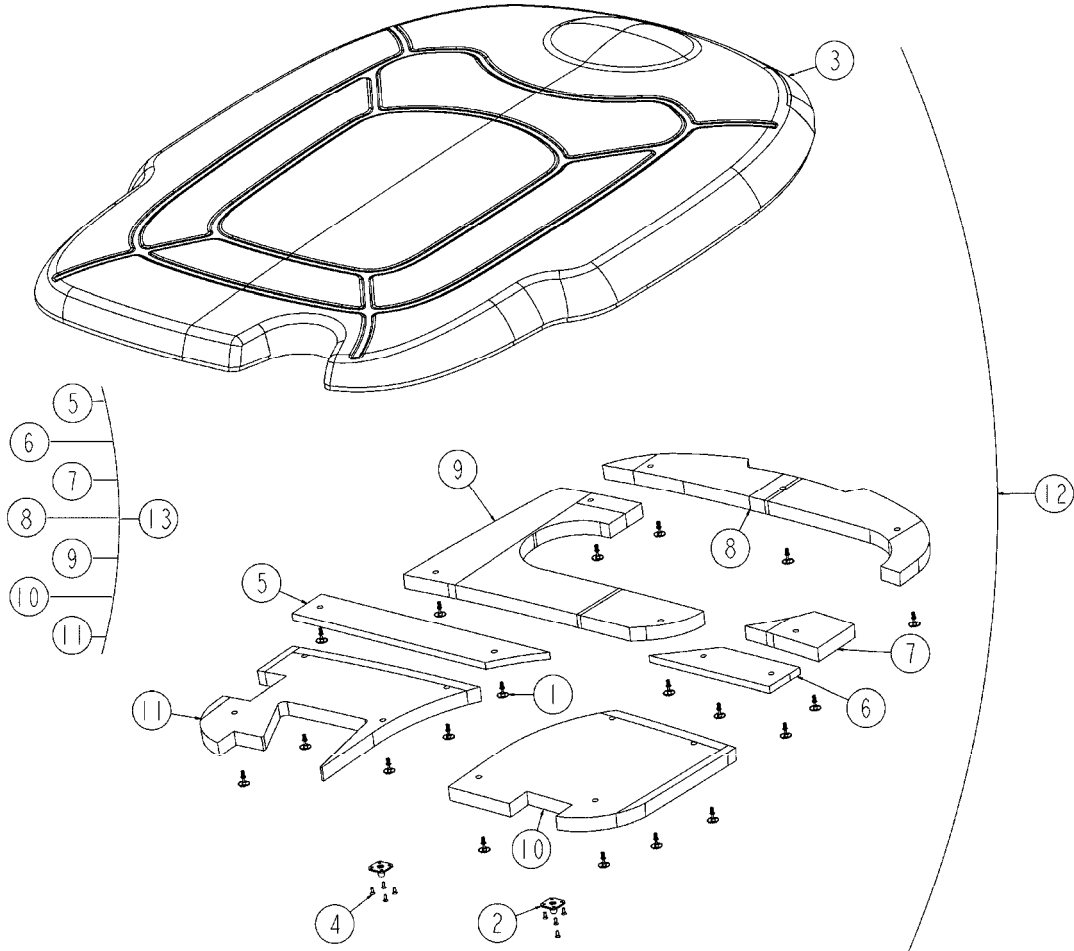
Pos.	parts-n°	order qty	description
1	27022601	1	WIPER ARM 166425558
2	27045301	1	WINDSHIELD WASHER HOSE TAIL 90° 355424732
4	27045201	1	NO-RETURN VALVE 101318AA
5	27022501	1	WIPER BLADE L1000 166425559
6	26042801	1	WIPER MOTOR 166425557
7	27022701	1	WINDSHIELD WASHER TANK+PUMP



CAB EVO ROOF
J013A-2, 24:09:12

Page 0

Date 07.02.2020 8:01



J013A-2

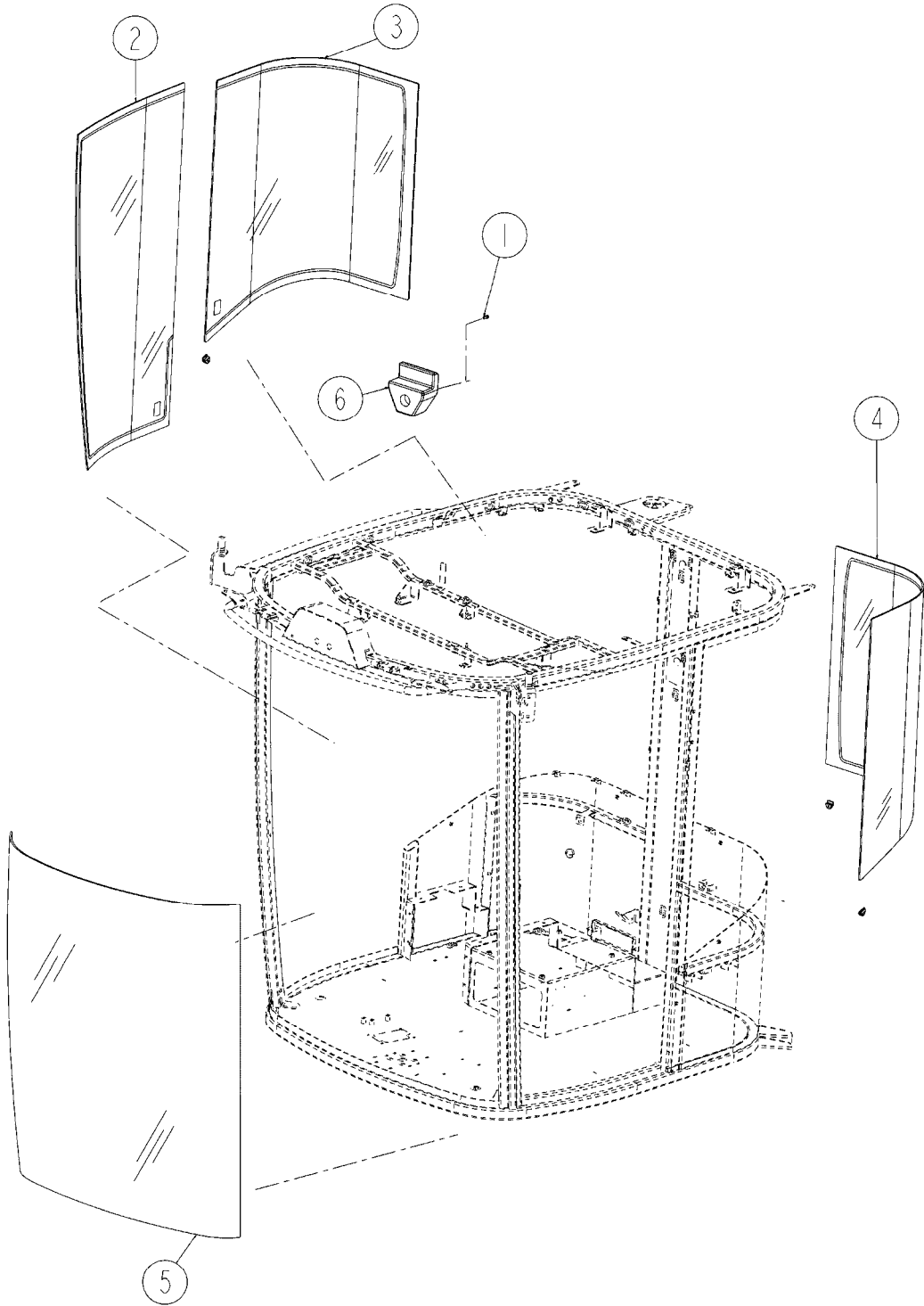


CAB EVO ROOF
J013A-2, 24:09:12

Page 1

Date 07.02.2020 8:01

Pos.	parts-n°	order qty	description
1	27022901	1	FOAM RETAINING TAB 166426116
2	27022801	1	CENTERING CONE 166425647
12	27011401	1	WHITE ROOF FOR SIAC CAB
12	27012401	1	RED ROOF FOR SIAC CAB
13	27022201	1	KIT SOUNDPROOFING CAB ROOF



J013A-3



CAB EVO WINDOWS-WINDSHIELD
J013A-3, 24:09:12

Page 1
Date 07.02.2020 8:01

Pos.	parts-n°	order qty	description
1	45002001	1	SCREW CHC M 6-16 CL8.8 INOX A2 SS
2	27019201	1	FRONT GLASS RIGHT 166347676
3	27019301	1	BACK GLASS RIGHT 166347674
4	27020201	1	LEFT REAR WINDOW 166347672
5	27020401	1	CABIN WINDSHIELD 166347673
6	27020801	1	CAB WINDOW INSERT 741322944

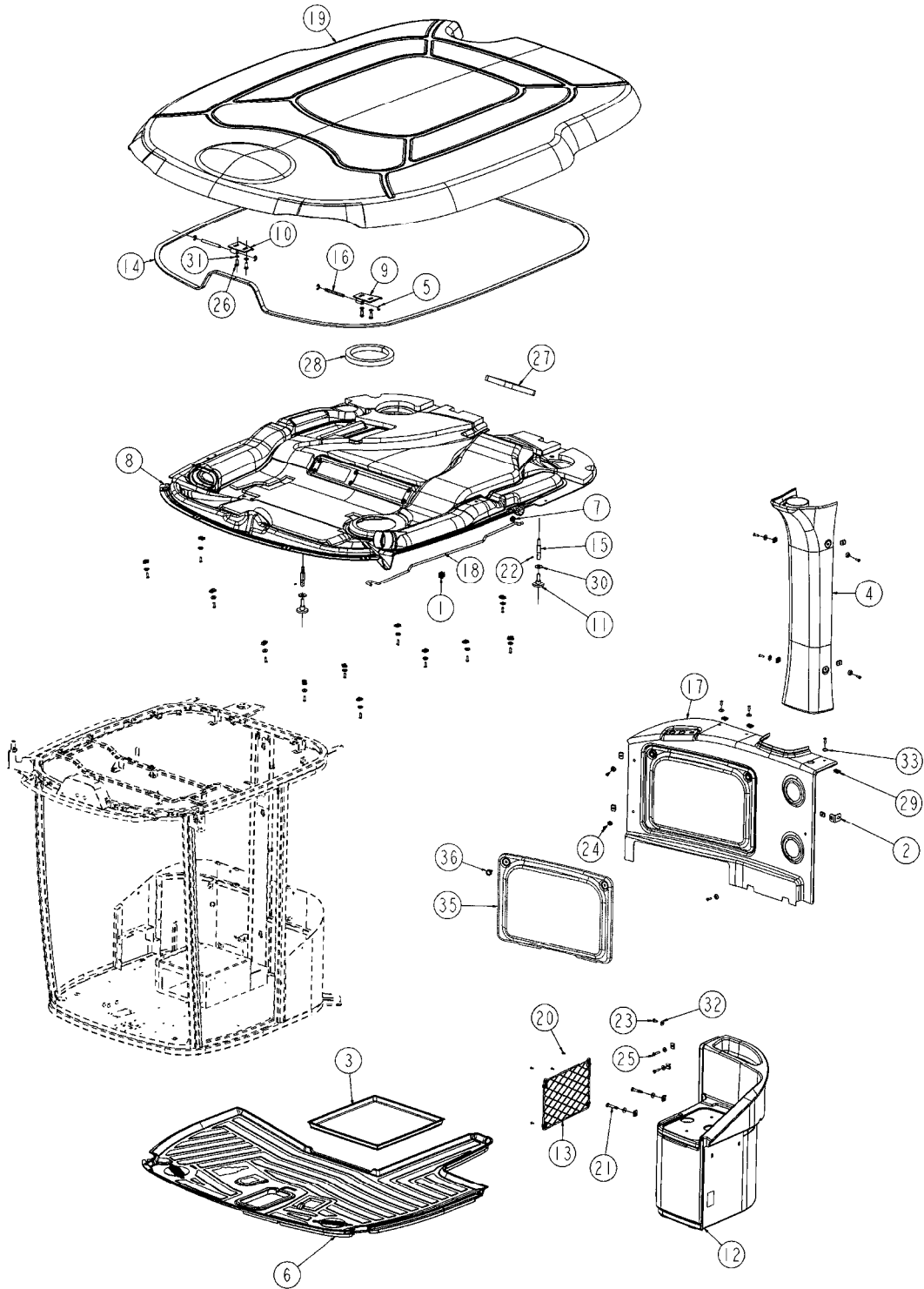


CAB EVO DOOR
J013A-4, 27:07:15

Page 1

Date 07.02.2020 8:01

Pos.	parts-n°	order qty	description
1	27031301	1	SPACER 144312280
2	27024201	1	DOOR LATCH 147314284
3	27023501	1	DOOR LOCK 153406928
4	27023101	1	HANDLE SEAL 162335828
5	27020301	1	CAB DOOR WINDOW 166347675
6	27023901	1	HINGE COVER166347738
7	27023401	1	COVER LOCK 166347739
8	27023701	1	HINGE SEAL 166347740
9	27018401	1	CAB DOOR SEAL 166347804
10	27023601	1	LOCK SEAL 166347957
11	27077501	1	DOOR HANDLE LEVER
12	27024101	1	DOOR HINGE 166425475
13	27024001	1	DOOR FIX HINGE 166425476
14	27048401	1	CAB DOOR FRAME 166425478
15	410546	1	BOLT HEX M6X12 A2 SS DIN933
16	410281	1	BOLT HEX 8.8 DEL M6X25 DIN933 A2
17	421046	1	BOLT HEX M8X25/25 A2 SS DIN933
18	420641	1	BOLT HM 8X35/22 A2 SS DIN931
19	458053	1	SCREW CHC M 8-20 8.8 DEL DIN912
20	460364	1	NUT HU M8 A2 SS DIN934
21	460143	1	SELF LOCK NUT M8 SST A2 DIN985
22	47000001	1	WASHER L8U 8,4x22x1,5 A2 SS
23	471125	1	WASHER M6U 6.4X14X1.2,A2 SS
24	478040	1	WASHER M8U 8.25X18X1.5 SS A2
28	27023001	1	HANDLE 355424472
32	27023301	1	CAB BUSH 302463AA
33	27023801	1	GROMMET 302784AA
34	27024301	1	DOOR HINGE PIN 302812AA
36	288850	1	PLUG GPN 1000 M8-893
37	27023201	1	DOOR DAMPER 402111AA
38	27021201	1	IGNITION AND DOOR KEY
39	16518801	1	CABIN DOOR HOLDER ALPEVO



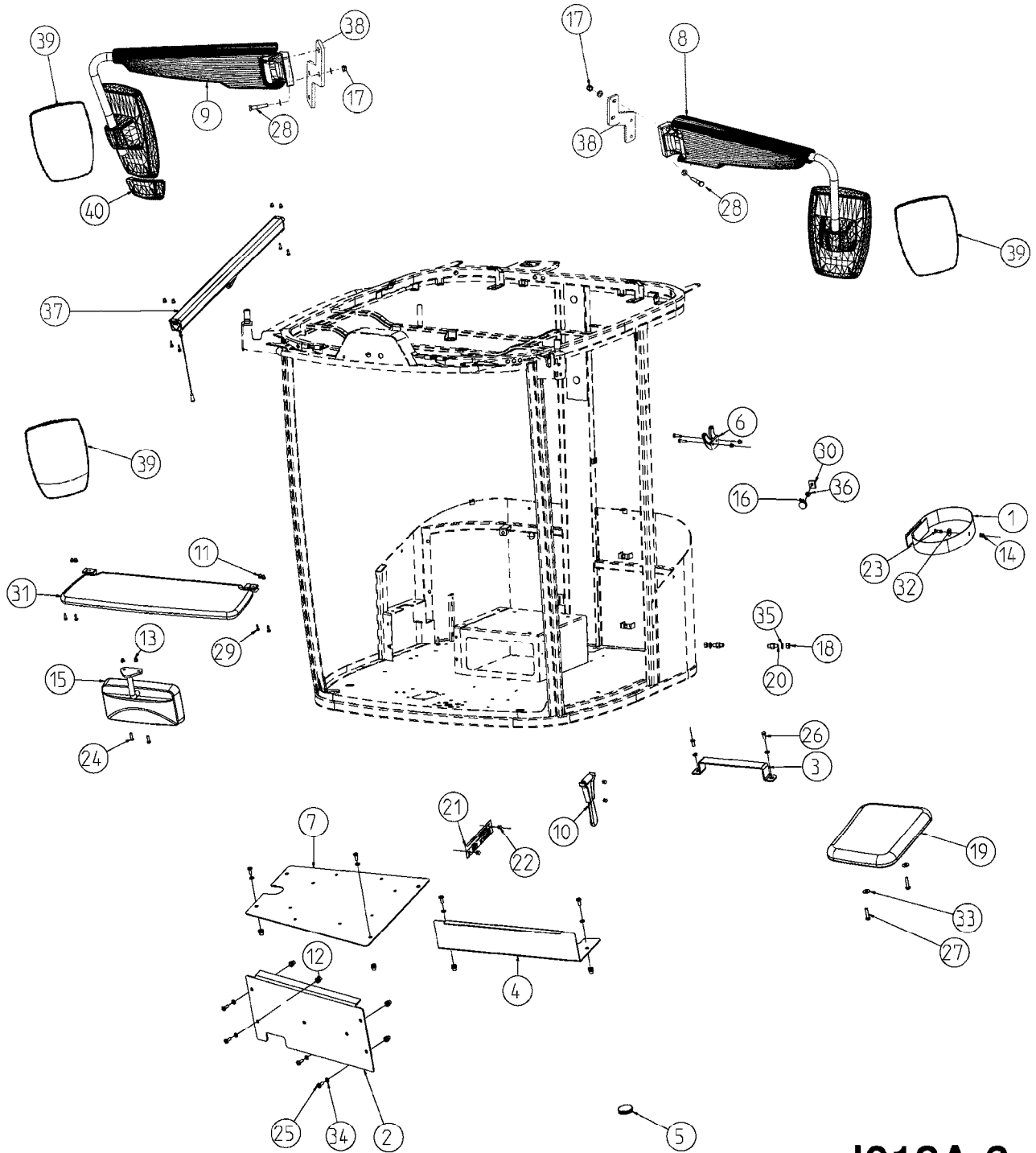
J013A-5



CAB EVO TRIM
J013A-5, 14:10:15

Page 1
Date 07.02.2020 8:01

Pos.	parts-n°	order qty	description
3	27024501	1	CENTRAL BASE CARPET 166347911
4	27011201	1	STEER.COLUMN SHELL VER. 1 166425483
4	27031701	1	STEER.COLUMN SHELL VER. 2
6	27024401	1	CARPET 166347761
8	27019501	1	ROOF TRIM CABIN
9	27024901	1	ROOF LEFT HINGE 166425529
10	27025001	1	ROOF RIGHT HINGE 166425528
11	27025301	1	ROOF KNOB 248342825
14	27024601	1	JOINT HEADLINER 166347877
15	27025201	1	ROOF LOCKING PIN 166348965
16	27025101	1	ROOF HINGE PIN 166347879
19	27011401	1	WHITE ROOF FOR SIAC CAB
19	27012401	1	RED ROOF FOR SIAC CAB
24	458111	1	SCREW FBS M6-20 INOX DIN964
26	420582	1	BOLT HEX 8.8 DEL M8X20 FT A2
27	27024801	1	JOINT HEADLINER 166347876
28	27024701	1	JOINT HEADLINER 166347760
29	27025401	1	CLASP M6 101516AA
31	478040	1	WASHER M8U 8.25X18X1.5 SS A2
32	478072	1	WASHER D6.4/D14X1.6 SS A2
35	27010901	1	REAR COVER
36	27049301	1	BUTTON TRAP N41339021



J013A-6

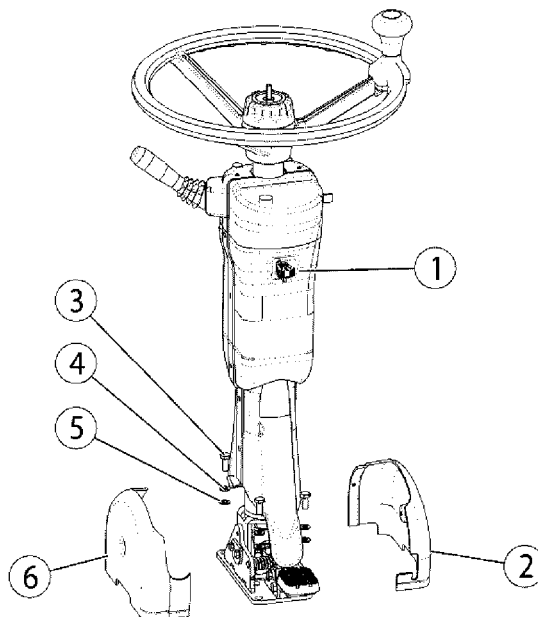
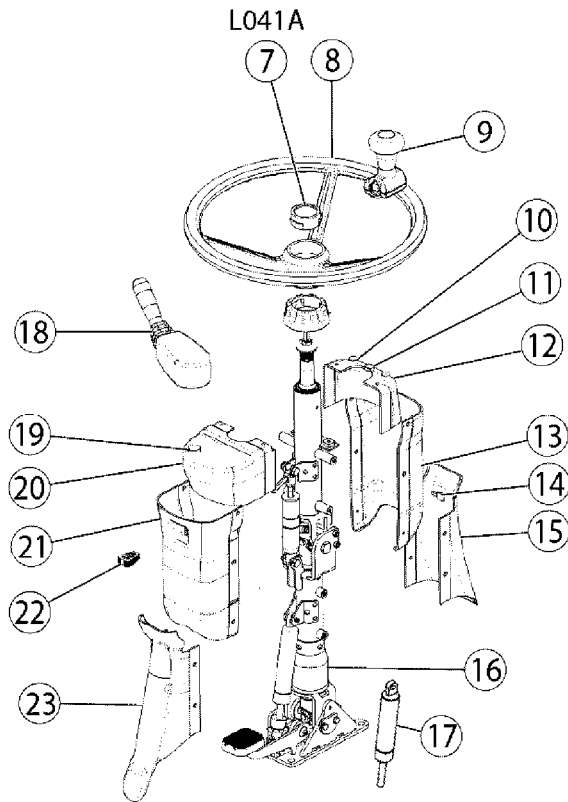


CAB EVO MIRRORS
J013A-6, 12:09:16

Page 1

Date 07.02.2020 8:01

Pos.	parts-n°	order qty	description
3	27069701	1	REAR HOSES BRACKET
7	27079301	1	CAB COVER
8	27018601	1	MIRROR, LH, SIAC CAB
9	27018701	1	MIRROR ALPHA RIGHT SIDE
15	27030501	1	INNER CAB MIRROR 447419568
16	27059101	1	KNURLED KNOB M6X16
18	460364	1	NUT HU M8 A2 SS DIN934
19	27077301	1	PASSENGER CUSHION
26	410185	1	BOLT HEX 8.8 DEL M6X16
30	27025401	1	CLASP M6 101516AA
34	471125	1	WASHER M6U 6.4X14X1.2,A2 SS
35	478040	1	WASHER M8U 8.25X18X1.5 SS A2
37	27026501	1	SUN VISOR166347814
38	16587101	1	MIRROR BRACKET, EVO
39	27042501	1	GLASS, MIRROR, SIAC CAB (166351394)
40	27046301	1	MIRROR RIGHT. 166428555



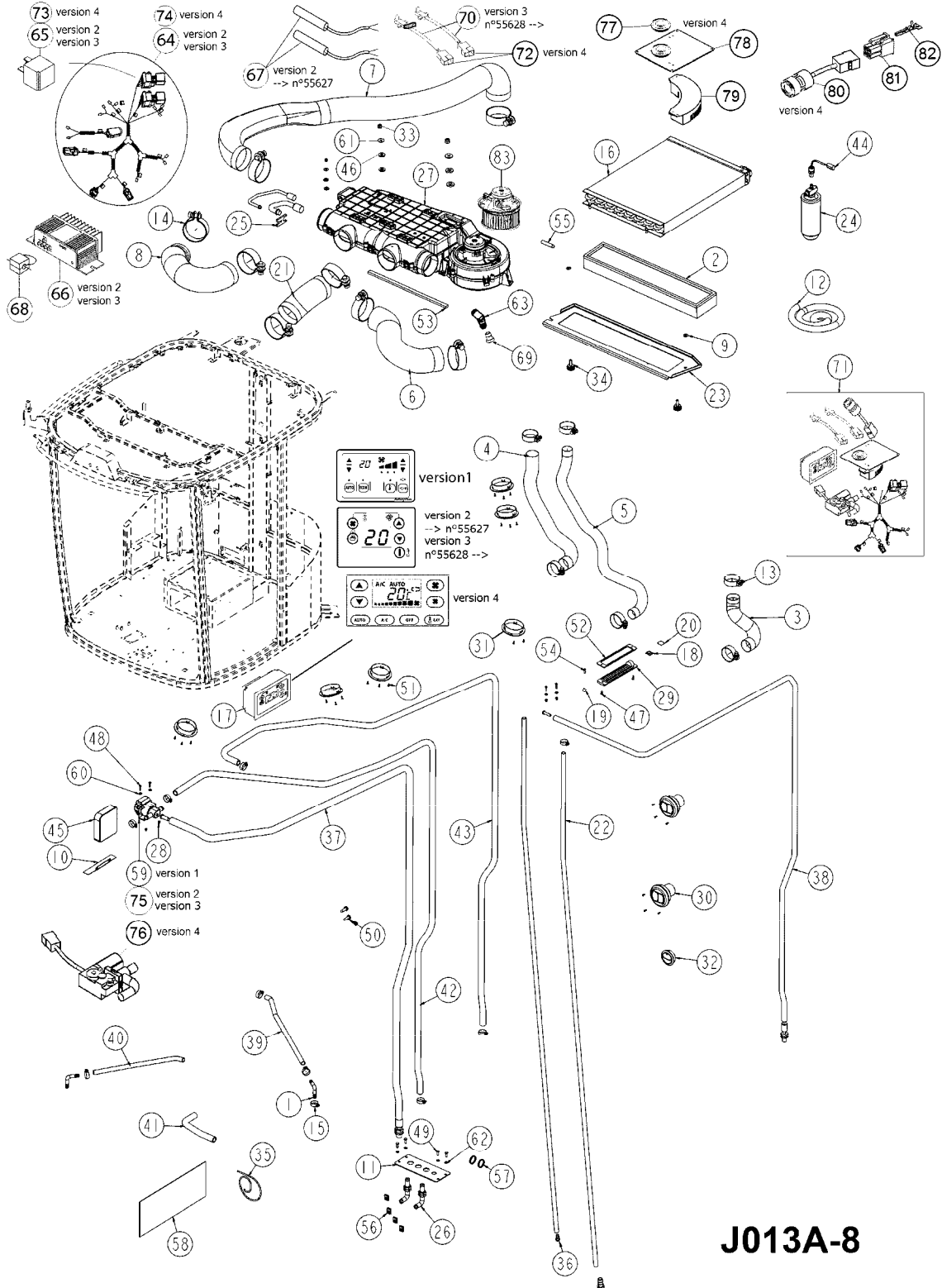
J013A-7



CAB EVO STEERING COLUMN
J013A-7, 11:02:15

Page 1
Date 07.02.2020 8:01

Pos.	parts-n°	order qty	description
1	27030001	1	STEERING COLUMN 166425579
7	27036901	1	STEERING WHEEL PLUG 166350357
8	27029901	1	STEERING WHEEL 166425582
10	26066901	1	INDICATOR LIGHT166350360
11	26067001	1	HEADLIGHTS 166350361
12	27050101	1	FRONT COVER 166347937
14	27021201	1	IGNITION AND DOOR KEY
14	27035301	1	IGNITION SWITCH
16	27031901	1	STEERING COLUMN 166425580
17	27022101	1	DAMPER COLUMN 166426603
18	26048601	1	SIGNAL COLUMN 166425583
19	26061501	1	EMERGENCY LIGHT BUTTON 166427318
20	27050201	1	REAR COVER 166347936



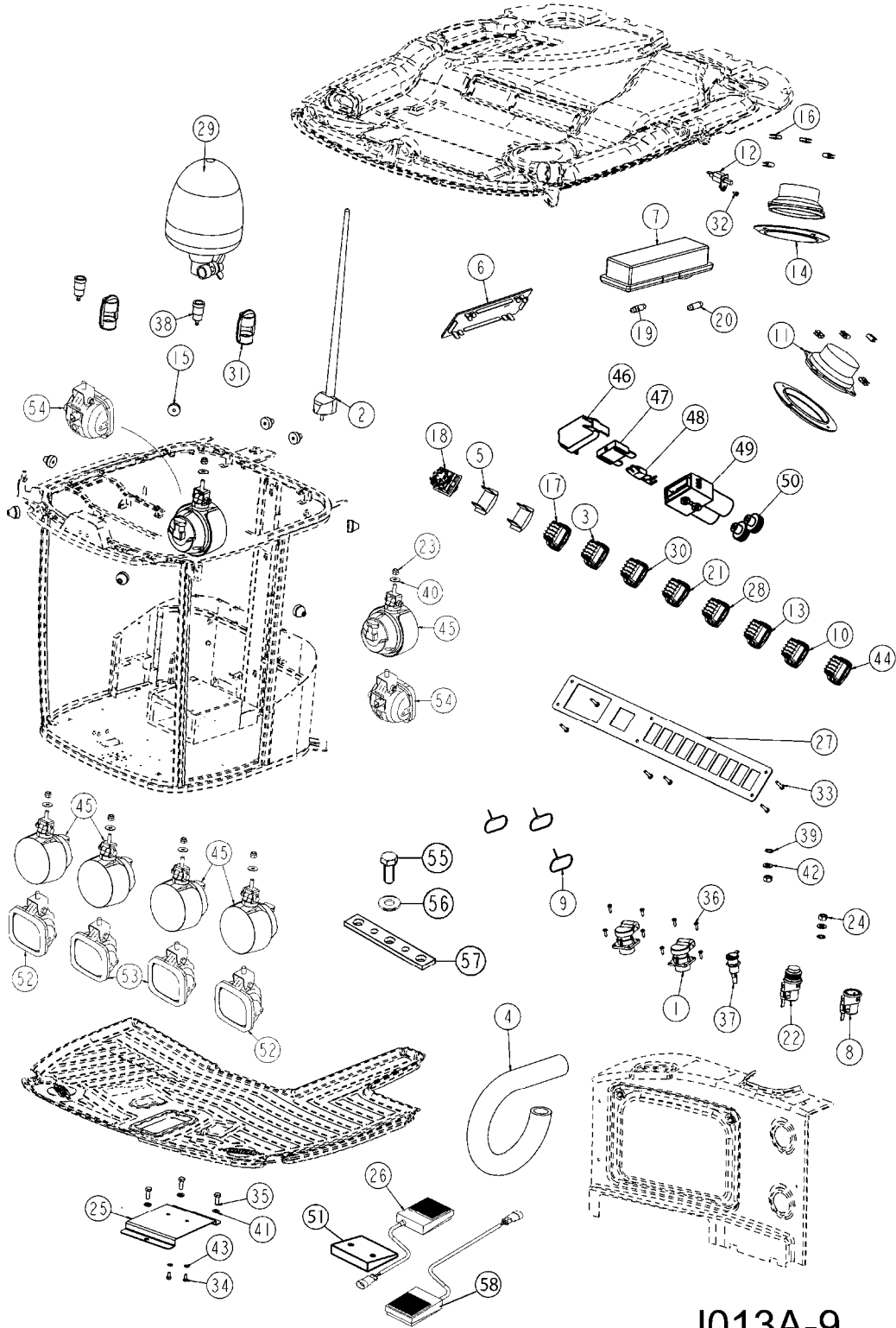
J013A-8



CAB EVO A/C - HEATING
J013A-8, 19:11:15

Page 1
Date 07.02.2020 8:01

Pos.	parts-n°	order qty	description
1	27048901	1	HOSE TAIL 90° Ø12
2	27016301	1	DUST FILTER (SIAC, RECTANGULAR)
7	27037801	1	REAR AIR HOSE 166347902
16	27025701	1	CONDENSER 166425683 Varitrack evo - Alpha evo -->n°55036
16	28027801	1	CONDENSER WITH FINS Alpha evo n°55037-->
17	26052101	1	HEATING-A/C MODULE Version 3
17	26064501	1	HEATING-A/C MODULE, SNDC Version 4
17	27026301	1	HEATING-A/C MODULE 166347959 Version 1
17	28034001	1	AIR CON HEATING UNIT Version 2
24	27025501	1	DRIER FILTER 166425673
27	27025801	1	EVAPORATOR
27	27040601	1	ANTI-ICING PROBE FOR EVAPORATOR
29	27026101	1	AIR VENT 166347883
30	27025901	1	AIR VENT 444339326
31	27018801	1	AIR VENT 444339319
32	27026001	1	AIR VENT N41418591
33	460261	1	NUT HEX M6X1.00 LOCK DIN985 A2 SS
34	27077801	1	KNURLED NUT M8-25
44	27025601	1	BINARY SWITCH 264A66
48	458066	1	BOLT CS M4-20 A2 DIN84
56	27025401	1	CLASP M6 101516AA
59	27026201	1	HEATING ELECTROVALVE 166347894
60	478056	1	WASHER M4U D4.25/D10X0.8 SS A2
62	471125	1	WASHER M6U 6.4X14X1.2,A2 SS
63	27017401	1	NIPPLE, RUBBER, 45, A/C, CONDENS.
64	26045201	1	AIR CON CABIN BEAM
65	268493	1	RELAY 20A 4RD.007.794.041
66	28033901	1	AIR CON CONTROL UNIT
67	26050501	1	TEMPERATUR SENSOR
68	268627	1	NOISE SUPPRESSOR 7427122 260-6509 antiparasite autoradio / Car radio noise suppresso
69	14008101	1	TAIL CONDENSOR Ø 12x8
70	26052301	1	TEMPERATURE PROBE
71	75010201	1	REGULATOR KIT SNDC Modification versions 1-2-3 en/in version 4
72	26064701	1	TEMPERATURE MIXING PROBE, SNDC L190mm
72	26064801	1	OUTSIDE TEMPERATURE PROBE, SNDC L1230mm
73	268493	1	RELAY 20A 4RD.007.794.041
74	26065101	1	HEAT CONTROL HARNESS SNDC
75	26045501	1	HEATING ELECTROVALVE 12V
76	26065201	1	WATER VALVE 12V TKG, SNDC
77	24007701	1	RUBBER GROMMET Ø18/22 M6-8-10
78	16682701	1	TOLE SUPPORT PWM SNDC
79	26065001	1	SPEED VARIATOR SNDC
80	26064601	1	INSIDE TEMPERATURE PROBE, SNDC
81	26029001	1	CONNECTOR MOLEX 670-4626 A commander si nécessaire/to order if necessary
82	26029201	1	MALE SOCKET MOLEX 215-5893 A commander si nécessaire/to order if necessary
83	26082701	1	EVAPORATOR MOTOR



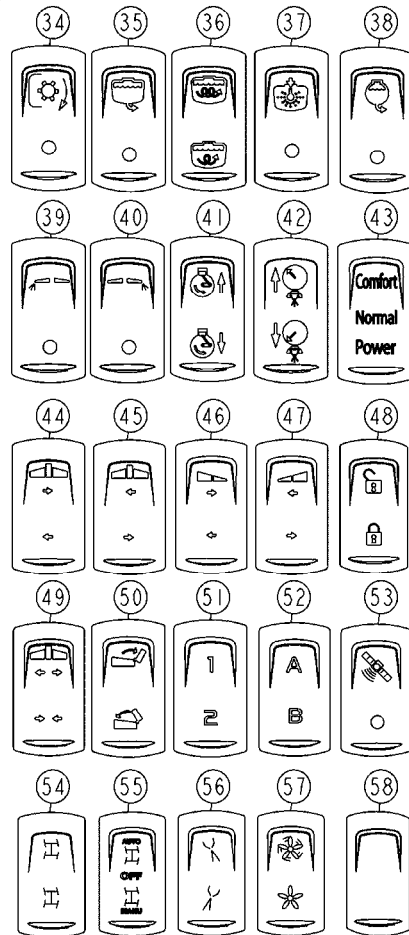
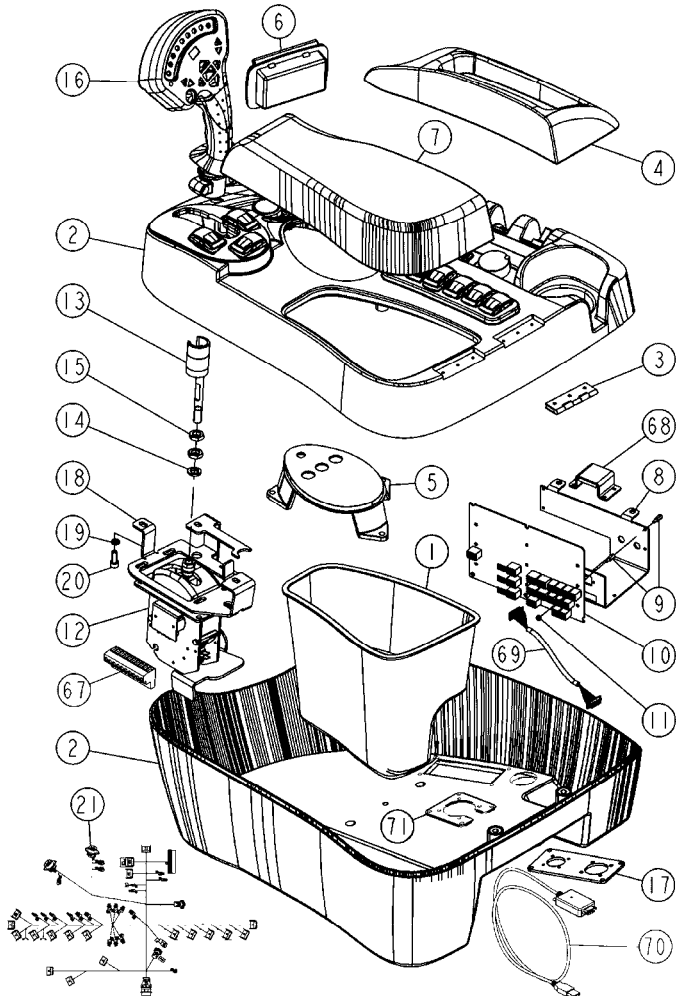
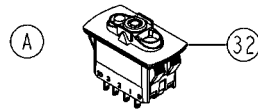
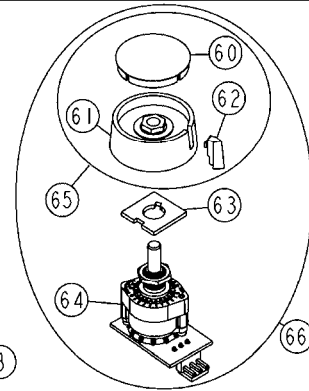
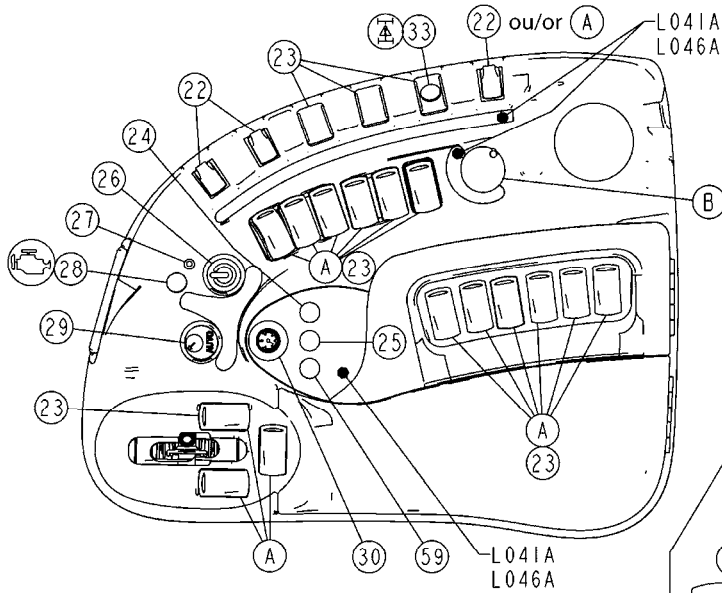
J013A-9



CAB EVO ELECTRIC
J013A-9, 20:03:17

Page 1
Date 07.02.2020 8:01

Pos.	parts-n°	order qty	description
1	26090801	1	POWER SOCKET
2	27027501	1	ANTENNA AM/FM SAR-H CAB
3	26015701	1	ROCKER SWITCH ON-OFF GREEN-RED LED
3	26021001	1	MIRROR SWITCH ACTUATOR
5	26023001	1	BLACK APEM KR SHUTTER
7	26058901	1	CEILING LAMP 547422420
8	26090901	1	CIGARETTE LIGHTER BODY
10	26015601	1	ROCKER SWITCH MOM-OFF GREEN-RED LED
10	26019801	1	WINDSCREEN WASHER SWITCH ACTUATOR
12	26074001	1	DOOR LIGHT SWITCH
13	26015701	1	ROCKER SWITCH ON-OFF GREEN-RED LED
13	26020101	1	FRONT LIGHT SWITCH ACTUATOR
17	26015701	1	ROCKER SWITCH ON-OFF GREEN-RED LED
17	26020301	1	MIRROR DEFROSTING SWITCH ACTUATOR
18	26041701	1	CABIN MIRROR JOYSTICK
21	26015701	1	ROCKER SWITCH ON-OFF GREEN-RED LED
21	26020201	1	BOOM LIGHT SWITCH ACTUATOR
24	460364	1	NUT HU M8 A2 SS DIN934
26	76014601	1	4WD PEDAL + PLUG L0.35M
27	27017301	1	SUPPORT INTERS-CLIM-RETROV CAB
28	26015701	1	ROCKER SWITCH ON-OFF GREEN-RED LED
28	26020901	1	REAR WORKING LIGHT SWITCH ACTUATOR
29	26042401	1	BEACON LIGHT
30	26015701	1	ROCKER SWITCH ON-OFF GREEN-RED LED
30	26020001	1	BEACON SWITCH ACTUATOR
31	26091901	1	BEACON RUBBER CAP
33	458066	1	BOLT CS M4-20 A2 DIN84
35	410185	1	BOLT HEX 8.8 DEL M6X16
37	26090701	1	SOCKET 2-PIN 12V
38	26091801	1	BEACON SOCKET DIN
41	471125	1	WASHER M6U 6.4X14X1.2,A2 SS
42	478040	1	WASHER M8U 8.25X18X1.5 SS A2
44	26019701	1	ROCKER SWITCH ON-ON-ON GREEN LED KR44A
44	26019901	1	WIPER ROCKER SWITCH ACTUATOR
45	26074101	1	CAB LIGHT, HALOGEN HELLA
46	268178	1	FUSE HOLDER CAP 152903
47	268786	1	FUSE 30A 299030
48	268179	1	FUSE TERMINAL 4-6MM² 913727TN
49	268177	1	FUSE HOLDER 152002
50	268180	1	FUSE HOLDER SEAL 828906
51	39009301	1	SHIM PEDAL 4WD
52	26053801	1	PHARE TRAVAIL LED UMX4425
53	26053901	1	PHARE TRAVAIL LED UMX4440
54	26054001	1	LED LIGHT UMX4460
55	42000701	1	SCREW HM 8-25/25 DIN933 BRASS Masse/Ground
56	47000501	1	WASHER M8 8.4X18X1.5 NFE25-513 BRASS Masse/Ground
57	12000701	1	COPPER BAR 15X4 L90 Masse/Ground
58	76014701	1	DIFFLOCK PEDAL+PLUG L2M



J013A-11



EVO CAB DASHBOARD
EASY/ECODRIVE
J013A-11, 24:03:15

Page 1
Date 07.02.2020 8:01

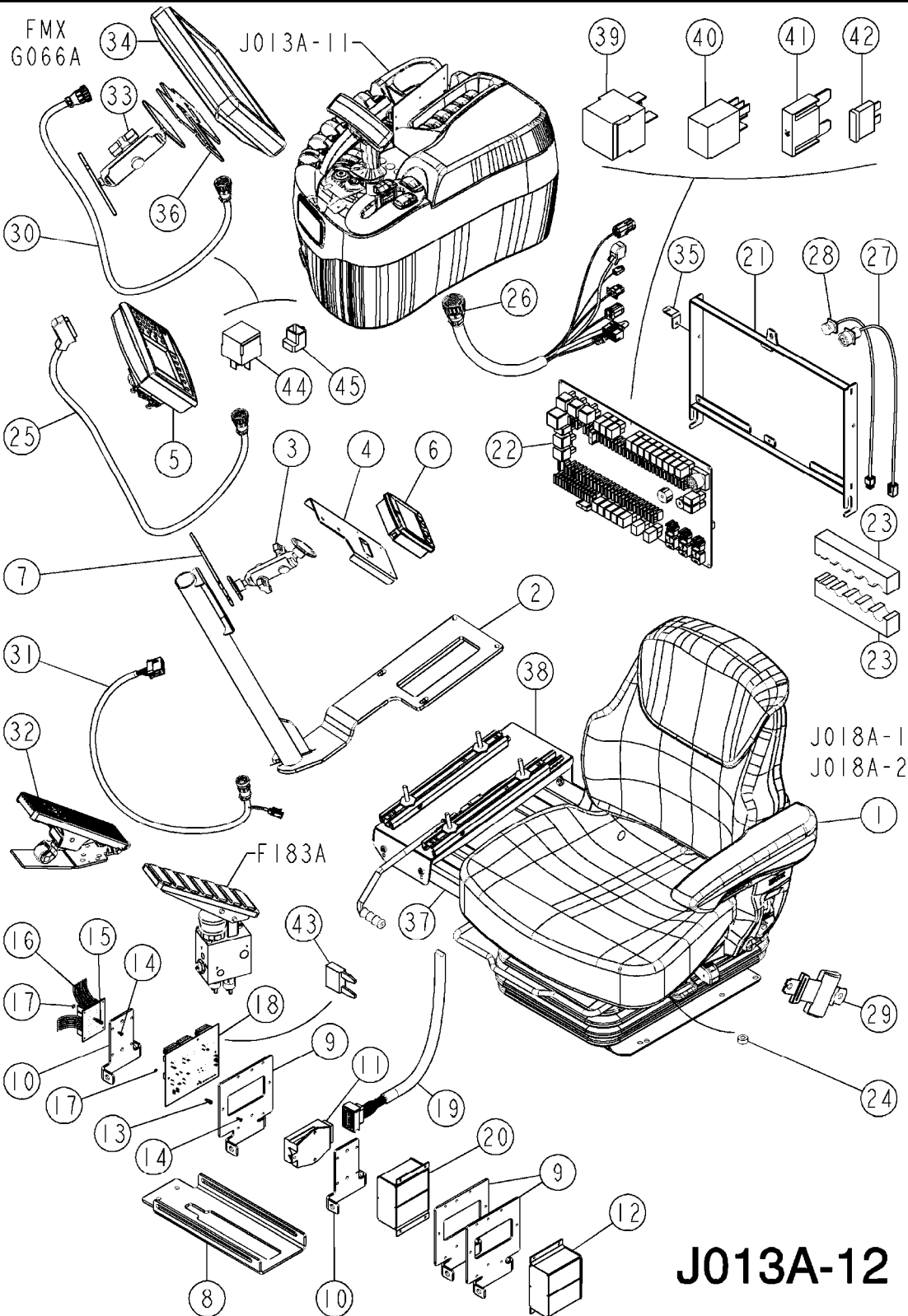
Pos.	parts-n°	order qty	description
2	28047701	1	DASHBOARD PLATFORM
5	39004901	1	CONSOLE COVER 4WD
8	16429301	1	DASHBOARD PCB BRACKET, REGULOR
8	16772501	1	DASHBOARD PCB BRACKET, HARDI
9	268175	1	SPACER M3 10/6/6 606686
10	26035100	1	HC 6401 PCBA ISO HW 2.1
11	468056	1	NUT HEX M3-.5 DIN982 LOCK SS
12	26007901	1	OPERATING PART 10123-COM-A
13	61014101	1	LEVER FOR GRIP HANDLE SARITOR
14	478065	1	WASHER AZ10 EXTERNAL TEETH DELTA DIN6798A
15	468039	1	NUT H LOW M10CL04 DIN439B DAC
16	26032900	1	HC 6301 GRIP 4 ISO
16	26033000	1	HC 6301 GRIP 6 ISO
16	26033100	1	HC 6301 GRIP 7 ISO
16	26033200	1	HC 6301 GRIP 8 ISO
16	26033300	1	HC 6301 GRIP 9 ISO
16	26033400	1	HC 6301 GRIP 13 ISO
16	26034800	1	HC 6301 GRIP 10 ISO
16	26036300	1	HC 6301 GRIP 12 ISO
16	26036600	1	HC 6301 GRIP 5 ISO
16	26037000	1	HC6301 GRIP 11 ISO
17	16483301	1	CONSOLE CONNECT.PLATE SAR
18	61047601	1	GRIP LEVER BRACKET V2
18	75008001	1	GRIP LEVER BRACKET KIT
19	478063	1	WASHER AZ6 EXTERNAL TEETH SS A2 DIN6798A
20	45003001	1	SCREW CHC M 6-16 CL8.8 DRIL-SP
21	26023401	1	EASYDRIVE DASHBOARD HARNESS Easydrive 1 CANBUS 5V
21	26051401	1	ECODRIVE DASHBOARD HARNESS EcoDrive 2 CANBUS 5V
21	26068701	1	ECODRIVE DASHBOARD HARNESS V2 Ecodrive 2 CANBUS 12V
22	26019201	1	TOGGLE SWITCH MOM-OFF-MOM
23	26023001	1	BLACK APEM KR SHUTTER
24	76005701	1	GREEN LED LIGHT + MALE PLUG
25	76005901	1	BLUE LED LIGHT + FEMALE PLUG
26	26017601	1	PUSH BUTTON - POWER JOBCOM
26	28023201	1	BLANKING PLUG Ø25,5X30,6 L11,5
27	76008901	1	LED, RED, ON JOBCOM, ASM, SARITOR
28	76006101	1	RED LED LIGHT + MOLEX CONN.
29	26017501	1	PUSH BUTTON CONTROL AUTO D10FP002_A9 A
29	28023201	1	BLANKING PLUG Ø25,5X30,6 L11,5
30	268785	1	POTENTIOMETER UPR01-A 25-75% Easydrive
32	26015701	1	ROCKER SWITCH ON-OFF GREEN-RED LED
32	26015801	1	ROCKER SWITCH MOM-OFF-MOM GREEN-GREEN LED
32	26016001	1	ROCKER SWITCH ON-OFF-ON BIPOLAR
33	76006001	1	LIGHT DEFAULT HYD + MALE PLUG
34	26017901	1	PUMP CONTROL SWITCH ACTUATOR
35	26014101	1	MAIN TANK SUCTION SWITCH ACTUATOR
36	26014001	1	AGITATION SWITCH ACTUATOR
37	26014201	1	RINSING NOZZLE SWITCH ACTUATOR
38	26014301	1	RINSING TANK VALVE SWITCH ACTUATOR
39	26014401	1	LEFT END NOZZLE SWITCH ACTUATOR
40	26014501	1	RIGHT END NOZZLE SWITCH ACTUATOR
41	26015001	1	RPM ENGINE SWITCH ACTUATOR
42	26017801	1	REGULATION PUMP +/- SWITCH ACTUATOR
43	26022501	1	COMFORT-NORMAL-POWER SWITCH ACTUATOR
44	26022701	1	RIGHT 1ST SECTION SWITCH ACTUATOR
45	26022601	1	LEFT 1ST SECTION SWITCH ACTUATOR
46	26021601	1	RIGHT 2ND SECTION SWITCH ACTUATOR



EVO CAB DASHBOARD
EASY/ECODRIVE
J013A-11, 24:03:15

Page 2
Date 07.02.2020 8:01

Pos.	parts-n°	order qty	description
47	26021901	1	LEFT 2ND SECTION SWITCH ACTUATOR
48	26014901	1	LOCKING BOOM SWITCH ACTUATOR
49	26021401	1	SIMULTANEOUS 1ST SECTION SWITCH ACTUATOR
50	26022001	1	UN/FOLD LAST BOOM SECTION SWITCH ACTUATOR
51	26022101	1	TWIN MEMORY SWITCH ACTUATOR
52	26022401	1	SWITCH ACTUATOR A/B
53	26015401	1	SATELLITE SWITCH ACTUATOR
54	26021801	1	4WD AUTO/OFF/MANUAL SWITCH ACTUATOR
55	26042301	1	4WD AUTO/OFF/MANUAL SWITCH ACTUATOR
56	26022301	1	TWIN VALVE SWITCH ACTUATOR
57	26022201	1	RPM TURBINE SWITCH ACTUATOR
58	26020801	1	BLACK ACTUATOR Sans logo/without logo
59	76005801	1	GREEN LED LIGHT + FEMALE PLUG
60	26074401	1	ROTARY SWITCH KNOB - CAP Se monte aussi sur les anciennes versions/can also be installed on old versions
61	26074201	1	ROTARY SWITCH KNOB - BODY Se monte aussi sur les anciennes versions/can also be installed on old versions
62	26074301	1	ROTARY SWITCH KNOB - INDICATOR Se monte aussi sur les anciennes versions/can also be installed on old versions
63	16713301	1	INDEX PLATE FOR DISPLACEMENT SWITCH Se monte aussi sur les anciennes versions/can also be installed on old versions
64	26060201	1	DRIVE MODE SELECTOR 1 CANBUS - 5 VDC Easydrive
64	26060301	1	DRIVE MODE SELECTOR 2 - 12 VDC Ecodrive
65	76015101	1	ROTARY SWITCH KIT-KNOB+INDICATOR+CAP
66	76015701	1	SPEED SELECTOR MODE EASYDRIVE ASSEMBLY
66	76015801	1	SPEED SELECTOR MODE ECODRIVE ASSEMBLY
67	26066601	1	9 PT.CONNECTOR FEMALE 5.08
68	61064001	1	DIAGNOSTIC PLUG BRACKET
69	26072600	1	HARNESS RIBBON 250MM-IDC9-DB9
70	26052300	1	USB- CAN PEAKCAN INTERFACE CABLE, TOPCON Orbitrol/steering valve-isobus Hardi-Muller
70	26071501	1	USB-CAN INTERFACE CABLE Regulor isobus
71	16803801	1	DASHBOARD FEEDING PLATE,CAB ALPHA-SARITOR



J013A-12



Pos.	parts-n°	order qty	description
1	28045301	1	SEAT MSG95AL/731 12V MATRIX Avec ceinture de sécurité/xith seat belt
2	63038001	1	BRACKET, DISPLAY HOLDER, ARMREST, SARITOR
3	288612	1	RAM MOUNT REGULOR 5
4	16577901	1	SUPPORT PLATE REGULOR 6 DP250
5	26016301ES	1	ES REGULOR 6 BLUE
5	26055701	1	REGULOR 6 PLUS BLUE
6	26007001	1	DISPLAY, PLUS+1, TYPE DP250-04-01, W/USB
7	16631401	1	HOUSING SUPPORT UC4 T3B EVO
8	16434801	1	CAB ECU RAIL, ALPHA
9	16494601	1	SUPPORT EASYDRIVE-CI PASSERELL
10	16491801	1	BRACKET FLASHER UNIT CAB SARITOR
11	26011801	1	FLASHING UNIT
12	26005701	1	SMARTDRIVE EASY PLUS ECU
13	268175	1	SPACER M3 10/6/6 606686
14	418000	1	BOLT PHILLIPS RD-PAN M3X10 SS 51340 030010
15	268648	1	SPACER M3X15X5X8X8 MS NI
16	73641201	1	4WD PCB FOR SIAC CABIN
17	468056	1	NUT HEX M3-.5 DIN982 LOCK SS
18	26006301	1	PUMP-FOOTBRIDGE PCB
19	26018101	1	CAB FLASHER HARNESS
20	26043101	1	SMARTDRIVE EASY EXTENDED ECU
21	63044001	1	BRACKET MAIN PCB CAB SARITOR
22	26032601	1	MAIN POWER PCB V2 CAB
23	39006101	1	FOAM PROTEC, HARNESS, REAR, CAB
24	14007201	1	SPACER Ø8,5X20 L10
25	26024101	1	REGULOR 6 CABIN HARNESS EVO
26	26023801	1	CABIN DASHBOARD FEED HARNESS Jusqu'au/until n°55670
26	26051601	1	CABIN DASHBOARD FEED HARNESS V2 A partir du/from n°55671
27	26028001	1	DIAG EMR EXT.ALPHA
28	26028101	1	DIAG SD EXT.ALPHA (x2)jusqu'au/until n°55670-(x1)à partir du n°55671
29	28026301	1	SAFETY BELT 1158625
30	26024201	1	HC9500 DISPLAY HARNESS L1000
30	26068401	1	HC9600 DISPLAY HARNESS L2500
30	26057901	1	HARNESS ISOBUS FMX SCREEN Sans autoguidage/without self guidance
30	26059001	1	ISOBUS BEAM FOR DASHBOARD Avec autoguidage/with self guidance
31	26023901	1	HARNESS DP250-DASHBIOARD SARITOR Jusqu'au/until n°55670
31	26051501	1	BEAM CONSOLE DP250 CAB ALPHA T3B A partir du/from n°55671
32	26006701	1	ACCELERATOR PEDAL KEPA 141161 791681N
33	72802400	1	RAM MOUNT KIT W/5" ARM STD BASE
34	#	1	# Option Trimble FMX monté par le client/option Trimble mounted by the customer
34	26069600	1	DISPLAY KIT- HC 9600 HC9500 remplacé par/replaced by HC9600
34	28170200	1	SUITCASE HC8600/HC9600(DISPLAY)
35	16656701	1	SUPPORT INTERRUPTEUR DIAG
36	16454301	1	PLATE, DISPLAY HOLDER, ARMREST, SARITOR
37	27015001	1	TRAVERSE SUPPORT RAIL USINEE
38	27013101	1	DASHBOARD RAIL SUPPORT 1035492
39	268493	1	RELAY 20A 4RD.007.794.041
40	26044401	1	RELAY 20/10A 4RD.007.814.011
41	268786	1	FUSE 30A 299030
42	268027	1	FUSE 7.5A ATOF SERIES

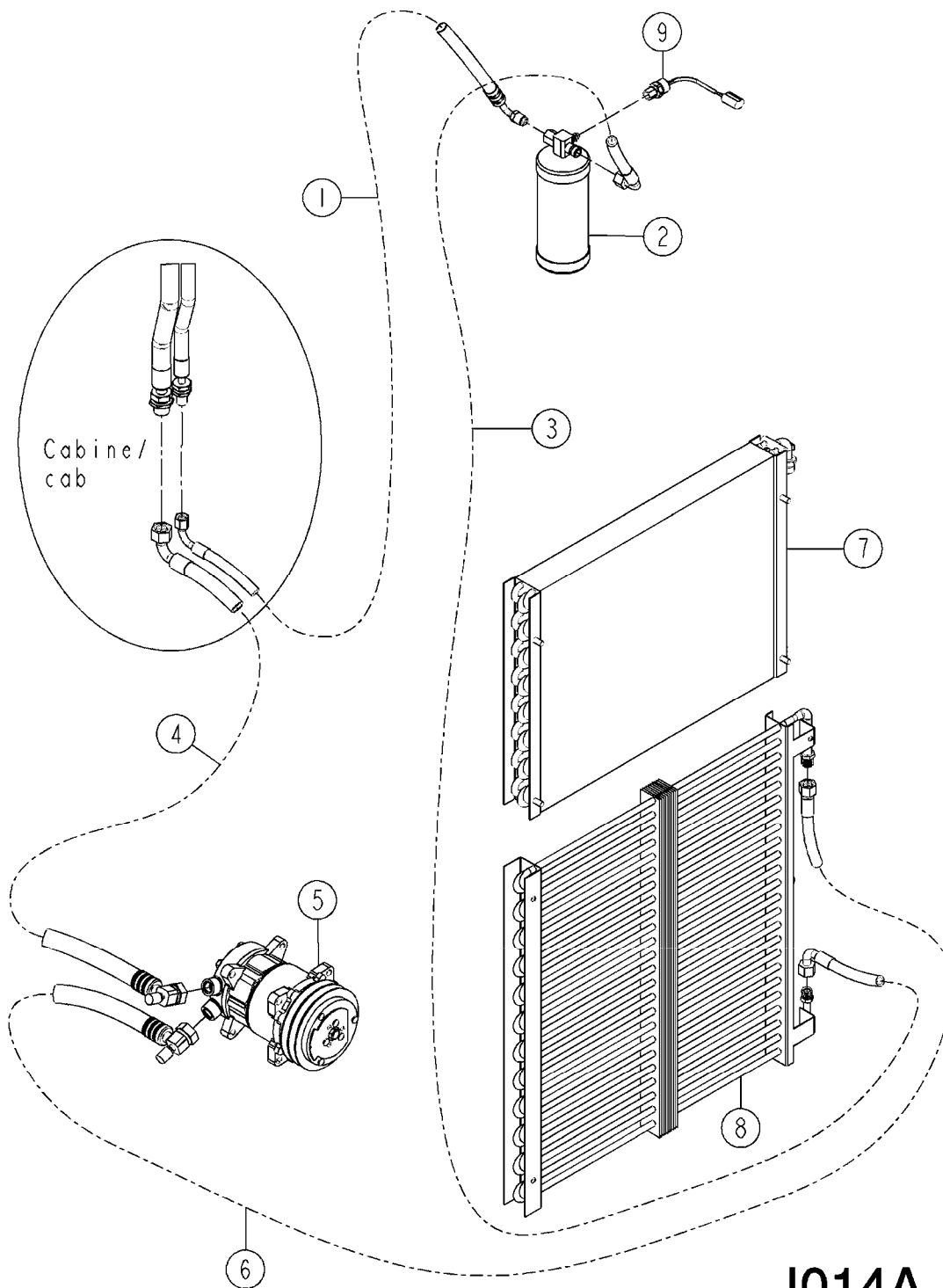


CAB EVO ECODRIVE COCKPIT
J013A-12, 28:09:15

Page 2

Date 07.02.2020 8:01

Pos.	parts-n°	order qty	description
42	268028	1	FUSE 15A, 257015AT
42	268160	1	FUSE, 10A, 257010AT
42	268330	1	FUSE AUTOFUSE 5A 257005
42	268417	1	FUSE AUTOFUSE 3A 257003
42	268418	1	FUSE AUTOFUSE 20A 257020
43	268140	1	MINIFUSE 7.5A BROWN
43	268163	1	MINIFUSE 2A 297002
44	268493	1	RELAY 20A 4RD.007.794.041 Pour faisceau/for harness 26057901
45	26032700	1	ACTIVE ISOBUS TERMINATOR Pour faisceau/for harness 26057901



J014A

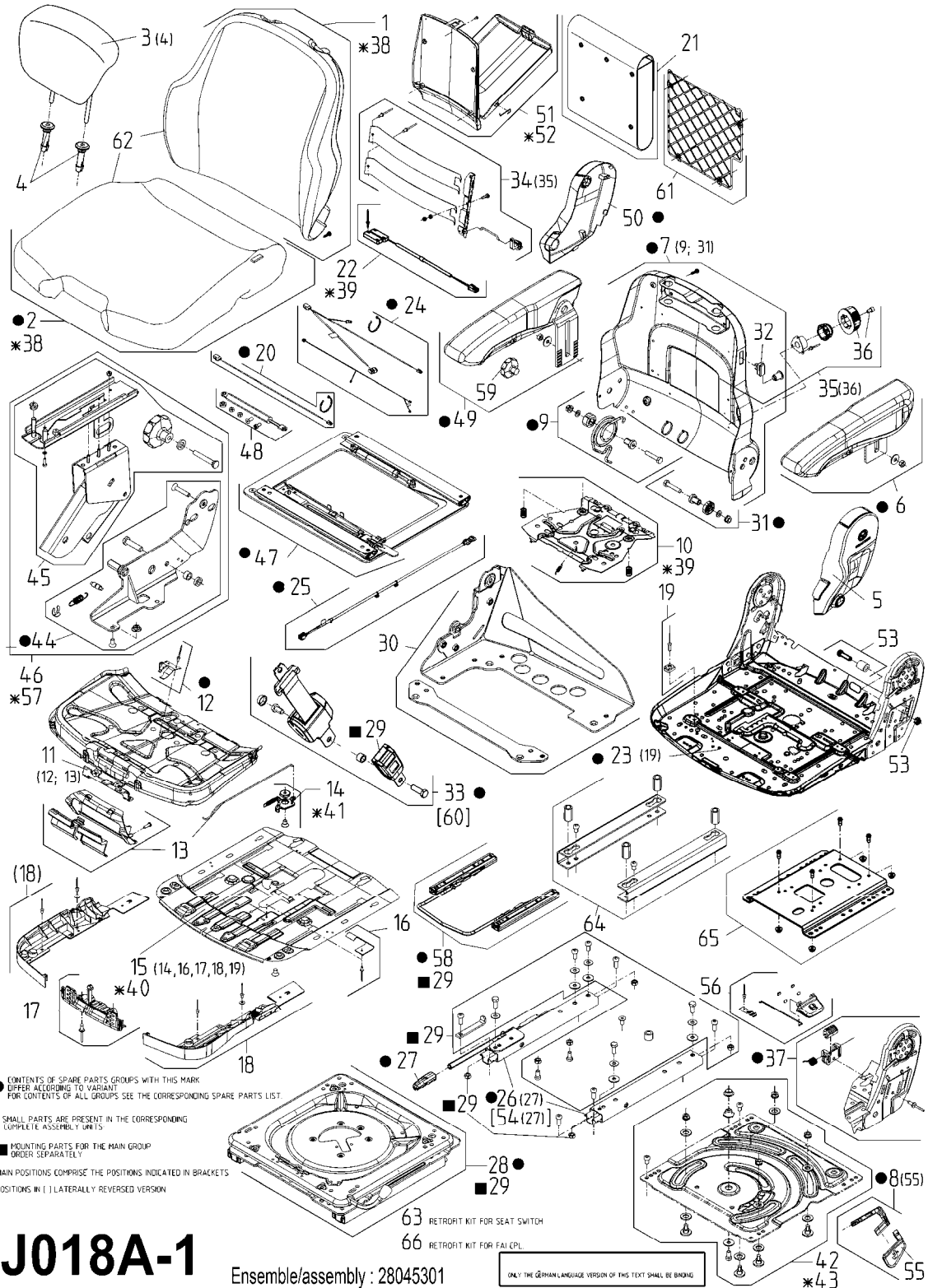


A/C CIRCUIT, T3A-T4-T3B,
ALPHA EVO
J014A, 31:07:13

Page 1

Date 07.02.2020 8:01

Pos.	parts-n°	order qty	description
1	78512501	1	A/C HOSE 2X90° L2150 EVAP-DRIER
2	27025501	1	DRIER FILTER 166425673
3	78506101	1	A/C HOSE 2X90° L3200 DRIER-COND
4	78506201	1	A/C HOSE 2X90° L3300 EVAP-COMP
4	78712801	1	Cabine classe 2/cab cat 2 A/C HOSE 2X90° L3300, EVAP-COMP
5	268550	1	Cabine classe 4/cab cat 4 A/C COMPRESSOR 12V A41323
6	78506301	1	A/C HOSE ST-90° L1750 COMP-COND
6	78528901	1	T3A A/C HOSE ST-90° L2050 COMP-COND
7	27025701	1	T3B CONDENSER 166425683
8	28027801	1	Alpha evo -->n°55036 CONDENSER WITH FINS
9	27025601	1	Varitrack-Alpha evo n°55037 --> BINARY SWITCH 264A66



J018A-1

Ensemble/assembly : 28045301

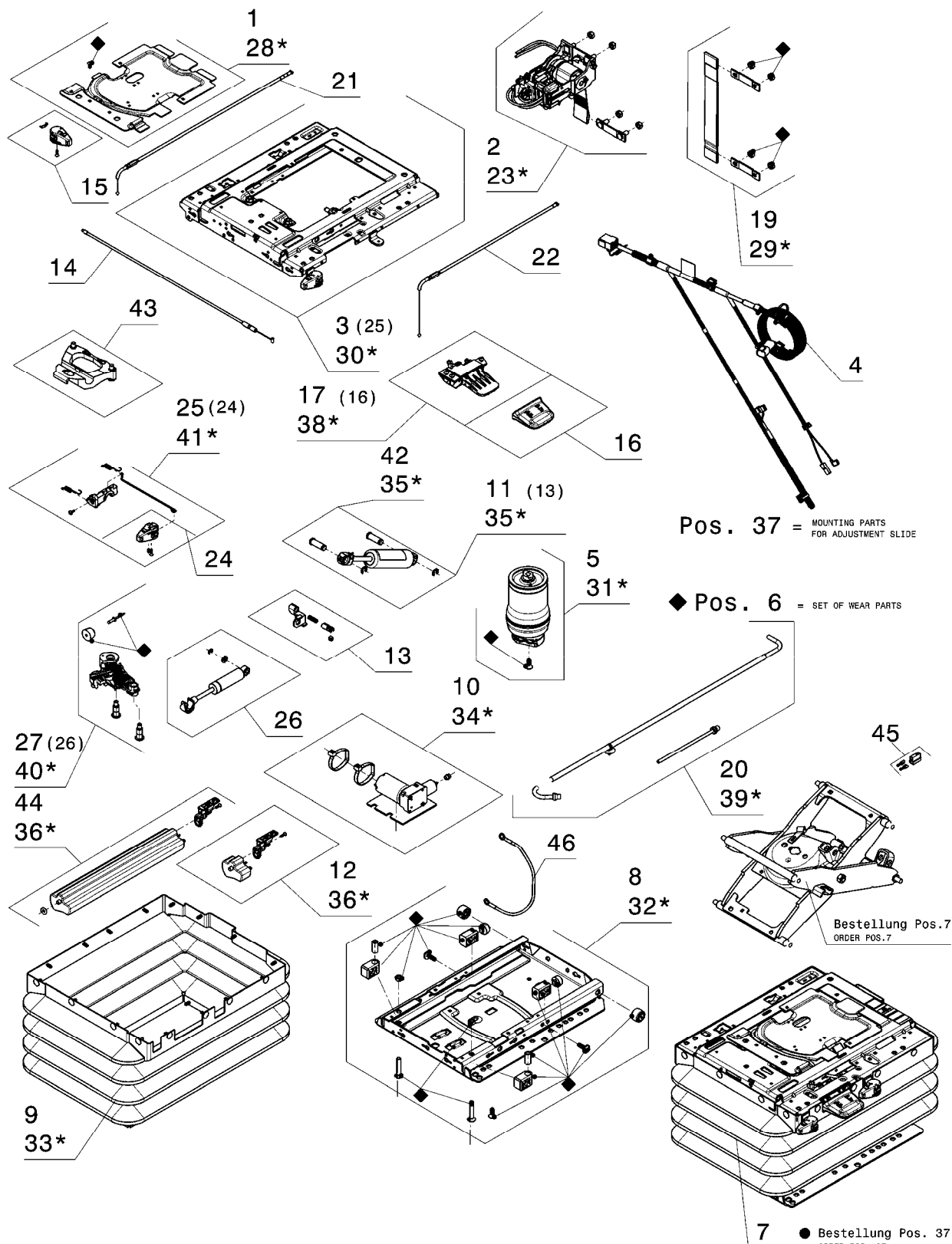


SEAT MSG95AL/731 12V MAX PRO
J018A-1, 18:12:14

Page 1

Date 07.02.2020 8:01

Pos.	parts-n°	order qty	description
6	28045301 27081001	1 1	SEAT MSG95AL/731 12V MATRIX ARMREST LEFT SIDE



Ensemble/assembly : 28045301

● CONTENTS OF SPARE PARTS GROUPS WITH THIS MARK DIFFER ACCORDING TO VARIANT. FOR CONTENTS OF ALL GROUPS SEE THE CORRESPONDING SPARE PARTS LIST.

MAIN POSITION COMPRISE THE POSITIONS INDICATED IN BRACKETS ()

● SAME AS ORIGINAL PARTS FOR THE CORRESPONDING COMPLETE ASSEMBLY UNITS

J018A-2

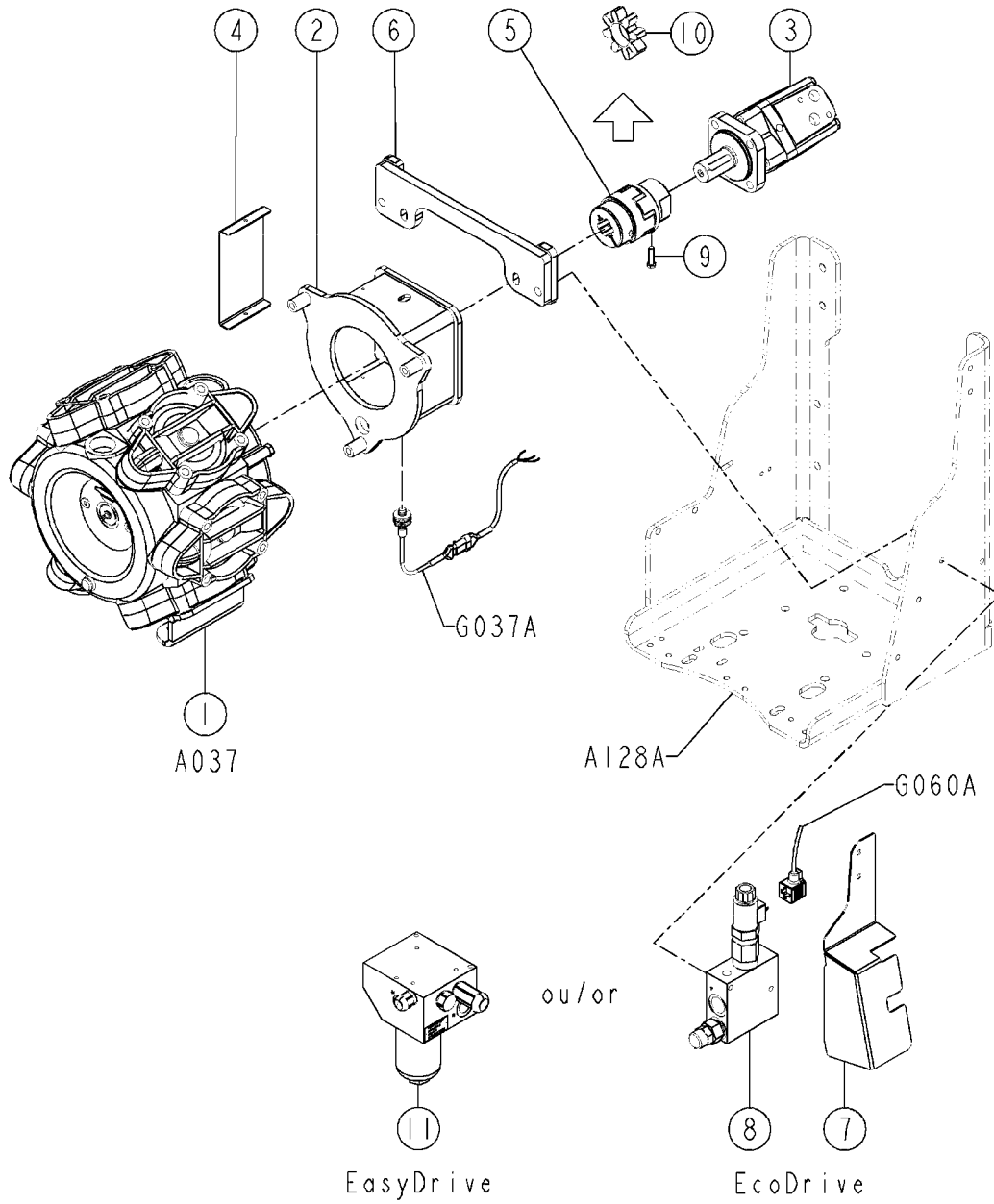


SEAT MSG95AL/731 12V MAX PRO
(Avec ceinture de
sécurité/xith seat belt)
J018A-2, 25:05:16

Page 1

Date 07.02.2020 8:01

Pos.	parts-n°	order qty	description
2	27084401	1	SEAT UPGRADE SYSTEM
4	26060501	1	SEAT HARNESS MSG95 1281054
5	27043001	1	AIR BAG SEAT MSG95 1137352
10	27040401	1	COMPRESSOR FOR GRAMMER SEAT
17	27042601	1	SEAT CONTROL
35	27058301	1	SEAT DAMPER
	28045301	1	SEAT MSG95AL/731 12V MATRIX



H053A



DRIVE PUMP 464 ALPHA-VARITRACK
H053A, 20:02:15

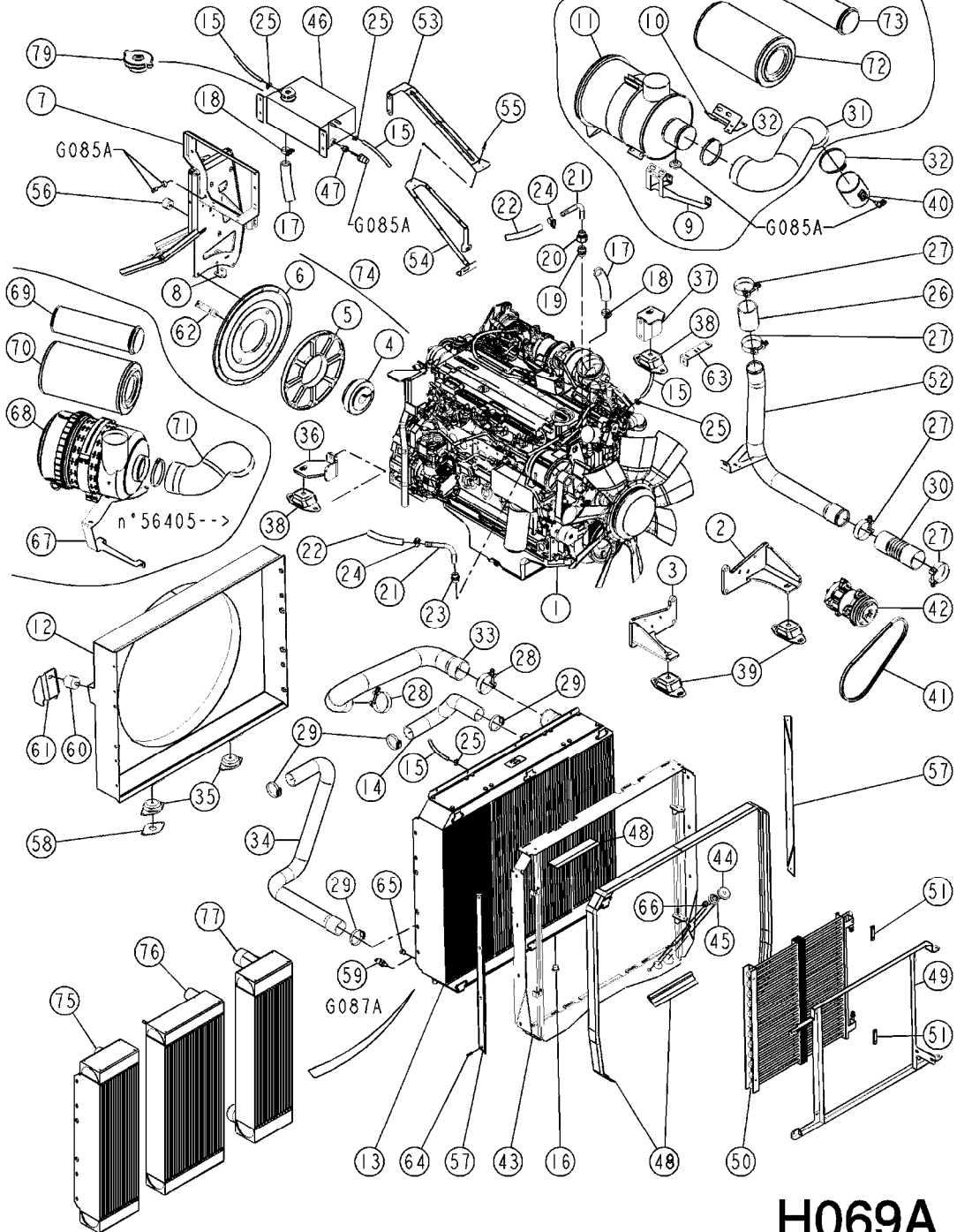
Page 1
Date 07.02.2020 8:01

Pos.	parts-n°	order qty	description
1	82168200	1	PUMP 464-10 2" SUCT. 540RPM
1	82168500	1	PUMP 464-12 2" SUCT. 540 RPM
2	638581	1	BRACKET FOR COUPL.OMS/463 AH11
3	783862	1	HYDR. MOTOR OMS125
3	783885	1	DANFOSS OSM160 MOTOR 151F0503
4	16074601	1	FLANGE COVER, OMS/463 ALPHA
5	248152	1	COUPLING
6	618644	1	PUMP BRACKET 463 ALPHA PLUS
7	16339601	1	ELECT.COVER 463 PUMP ALPHA
8	782849	1	FLOW REGULATION BLOCK P1021
9	428011	1	SCREW HEX M8X30 SS A2 DIN933
10	278764	1	RUBBER CROSS F HYD DRIVE COUPL
11	78204701	1	FLOW REGULATOR+FILTER+BYPASS 2381



(78) Pièces de rechange moteur / engine spare parts L047A-Circuit gazole / fuel circuit

--> n°56404



H069A



ENGINE TCD6.1 STAGE 3B ALPHA
EVO
H069A, 22:07:15

Page 1
Date 07.02.2020 8:01

Pos.	parts-n°	order qty	description
1	28012901	1	ENGINE TCD6.1L6 T3B 160KW+COMPRESSOR
1	28031101	1	ENGINE TCD6.1L6 T3B 160KW
1	28031201	1	ENGINE TCD6.1L6 T3B 160KW+PPH"B13d
1	28031301	1	ENGINE TCD6.1L6 T3B 180KW
1	28031401	1	ENGINE TCD6.1L6 T3B 180KW+COMPRESSOR
1	28031501	1	ENGINE TCD6.1L6 T3B 180KW+PPH"B13d
1	28041901	1	ENGINE TCD6.1L6 129KW
1	28042001	1	ENGINE TCD6.1L6 129KW+COMPRESSOR
2	61029001	1	F-L ENGINE BRACKET T3B/T4 ALPEVO
3	61028901	1	F-R ENGINE BRACKET T3B/T4 ALPEVO
7	63070901	1	FAP/RADIATOR BRACKET T3B ALPEVO
8	16615201	1	CYLINDER BRACKET TWIN ALPEVO T3B
9	16549901	1	LOW AIR FILTER BRACKET T3B
10	16549801	1	AIR FILTER BRACKET HIGH T3B
11	278645	1	METALLIC AIR FILTER
12	63033601	1	RADIATOR CASING Ø700, YMER, TCD2012 T3 Jusqu'au/until n°56527
13	28070401	1	RADIATOR WATER-AIR-OIL+CASING HYDAC Fourni avec carter/provided with casing 12
14	24004501	1	UPPER RADIATOR HOSE T3B ALPEVO
15	927705	1	HOSE Ø6X12 10 BAR 61638
16	78612001	1	PLUG VSTI R 1/2" ED
17	927721	1	HOSE Ø22 4BAR DIN73411-A
18	288445	1	HOSE CLAMP S25-40/9-C7W1
19	78605101	1	UNION GE22LM OMDA3C
20	78605001	1	FITTING RED.2218LA3C
21	618067	1	ELBOW HIGH TEMP.F.ENGINE
22	927712	1	HOSE Ø16X24 PVC GREY BLUE 20 BAR
23	78626001	1	FITTING GE18LM26X150
24	288140	1	CLAMP 16-25/12 C7W4
25	278236	1	CLAMP 12X9 0116.6350
26	248338	1	HOSE SILRA NOMEX Ø70 L100
27	28000801	1	CLAMP W5 74-79
28	288827	1	HOSE CLAMP W5 80-85
29	288126	1	CLAMP 45-67/16 C8W4
30	24002901	1	REINF. SILICON CHARG AIR COOLER HOSE, L215, 3"
31	24010701	1	SUCTION AIR FILTER HOSE T3B ALPEVO
32	288852	1	CLAMP S110-130/12 C7W1
33	24004301	1	UPPER INTERCOOLER HOSE T3B ALPEVO
34	24004401	1	HOSE F. RADIATOR T3B TCD2012
35	248198	1	VIBRATION ISOLATOR 60SH 104040
36	61005101	1	REAR RIGHT BRACKET TCD2012 V2
37	61005201	1	REAR LEFT BRACKET TCD2012 V2
38	248097	1	VIBRATION ISOLATOR 75SH 100021
39	248096	1	DAMPER FRONT 100021-65
40	61028801	1	TURBO SLEEVE T3B Ø101,6 L120
40	61042301	1	TURBO SLEEVE T3B+AIR TAPPING
41	24028201	1	A/C COMPRESSOR BELT T3B-T4
42	268550	1	A/C COMPRESSOR 12V A41323
43	63061701	1	AIR BOX TCD ALPEVO
44	24007801	1	RUBBER GROMMET Ø24/32 M10-12-16
45	24007701	1	RUBBER GROMMET Ø18/22 M6-8-10
46	28016501	1	FLUID EXPANSION TANK 7L 3050 0042
47	14012801	1	FITTING M14X1,5 - 1/4"NPT
48	24011601	1	RUBBER CLIP 1011-27
49	63055101	1	CONDENSER BRACKET ALPHA EVO V2
50	28027801	1	CONDENSER WITH FINS
51	16534901	1	CONDENSER CLAMP ALPHA EVO
52	61033901	1	TUBE TURBO INOX INTERCOOL T3B
53	16603001	1	RADIATOR HOSE GUIDE T3B
54	16618401	1	RADIATOR HOSE GUIDE ALPEVO T3B



ENGINE TCD6.1 STAGE 3B ALPHA
EVO
H069A, 22:07:15

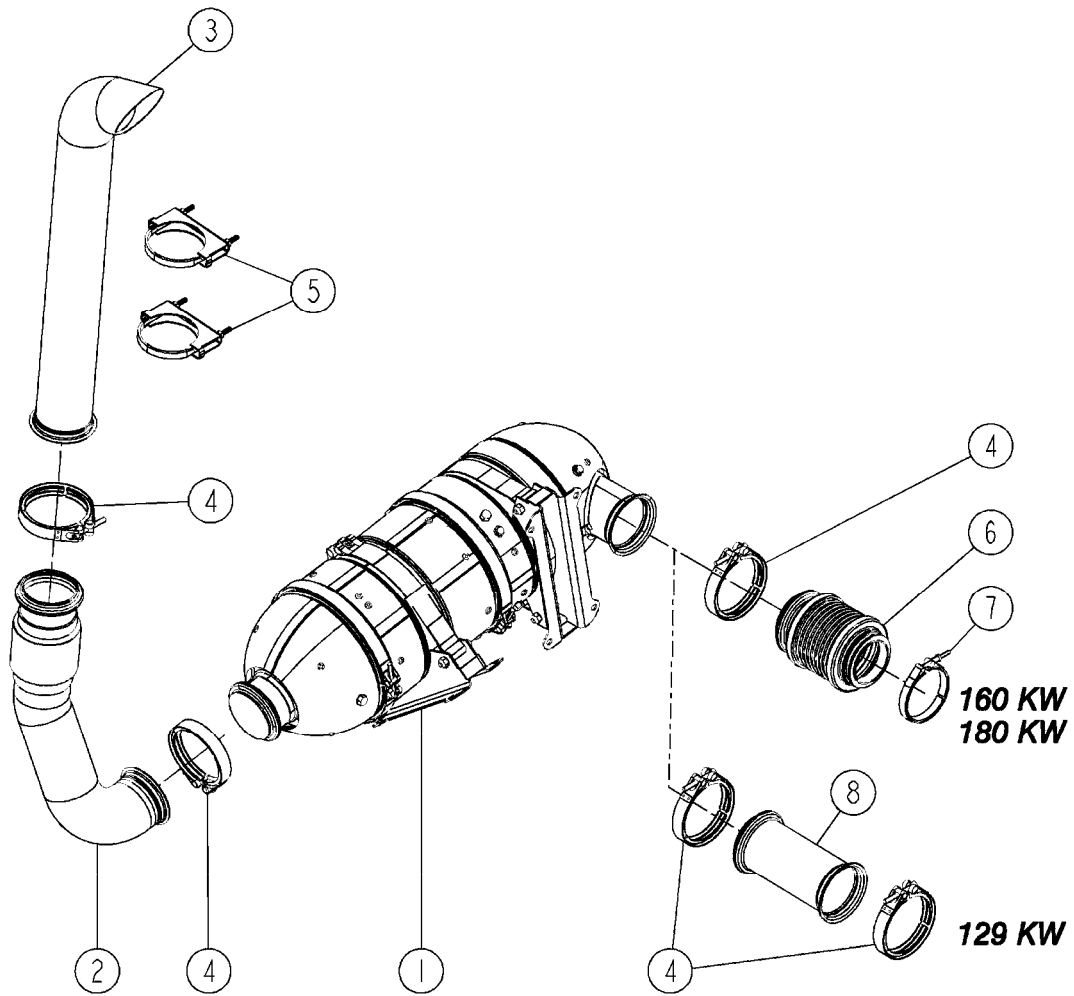
Page 2
Date 07.02.2020 8:01

Pos.	parts-n°	order qty	description
55	288222	1	RIVET SST 4,8X14
56	14020201	1	SPACER Ø40X13 L30
57	39009501	1	SLIDE PLATE 40X5 L807
58	16668101	1	RADIATOR SHIM ALPEVO ECODRIVE
59	26005601	1	PROBE 90°C NC M14X1,5
60	248217	1	VIBRATION ISOLATOR A5045 55NR
61	61040301	1	SILENT BLOCK BRACKET, RADIATOR, ALPEVO
62	16357701	1	ENGINE CABLE BRACKET
63	16172001	1	A/C HOSE BRACKET, ENGINE, ALPHA
64	458080	1	SCREW FS M 6-25 SS DIN963
65	78623401	1	PLUG VSTI M14X1.5
66	268655	1	PLASTIC SLEEVE Z0100900
67	16735101	1	PLASTIC AIR FILTER BRACKET, T3B, ALPEVO
68	27050501	1	PLASTIC LEFT AIR FILTER
69	27050301	1	INNER SAFETY AIR FILTER CF610
70	27050401	1	OUTER SAFETY AIR FILTER C23610
71	24025201	1	SUCTION AIR FILTER HOSE T3B ALPEVO
72	278646	1	OUTER AIR FILTER
73	278647	1	INNER SAFETY AIR FILTER
74	28008101	1	COUPLING BOWEX 80 11,5" FLE-PA
75	27021901	1	OIL COOLER
76	27021701	1	WATER RADIATOR
77	27021801	1	INTERCOOLER
78	268761	1	WATER TEMPERATURE PROBE TCD6L 04213839
78	268762	1	OIL PRESSURE PROBE 04213020
78	268763	1	ALTERNATOR TCD6L 01182691
78	268764	1	STARTER BFM-TCD 01180928
78	27001501	1	VISCOUS COUPLER 04253987
78	27001601	1	VISCOUS COUPLER PULLEY 04252889
78	27001701	1	FAN Ø700 04207620
78	27012701	1	ENGINE OIL FILTER
79	28003901	1	EXPANSION CAP 1 BAR



EXHAUST SYSTEM ALPHA-VTK
ECODRIVE
H070A, 16:01:15

Page	0
Date	07.02.2020 8:01



H070A



EXHAUST SYSTEM ALPHA-VTK
ECODRIVE
H070A, 16:01:15

Page 1
Date 07.02.2020 8:01

Pos.	parts-n°	order qty	description
1	#	1	#
			Nous consulter/contact us
2	28037601	1	EXHAUST PIPE Ø101,6 160KW ALPHA EVO
2	28037701	1	EXHAUST PIPE Ø101,6 180KW ALPHA EVO
2	28047201	1	EXHAUST PIPE Ø101,6 129KW ALPHA EVO
2	28041801	1	EXHAUST PIPE Ø101,6 129KW VTKEVO
3	28033601	1	OUTLET EXAUST PIPE Ø101,6 Alpha-Varitrack
4	28037501	1	HOSE CLAMP 101.6MM 250-32020
5	28034201	1	EXHAUST COUPLER CLAMP 207-0196 U 4"
6	28038101	1	SLEEVE 233-GTH4DEUTZZX194
7	28042101	1	COLLAR Ø105 250-04602005
8	28047401	1	SLEEVE Ø101,6 L230 T3B ALPEVO
8	28042701	1	SLEEVE Ø101,6 L200 T3B VTKEVO