

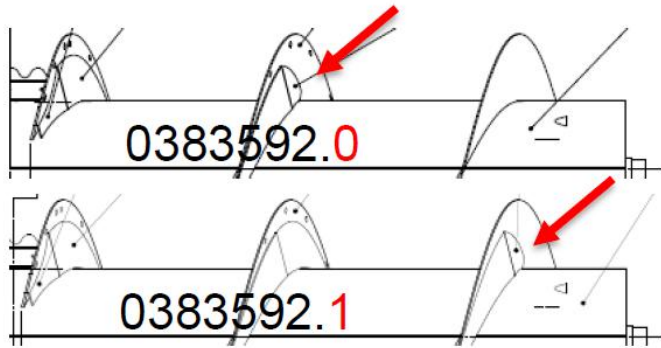
JAGUAR – Header Attachments

FY 2020 – 01

- Market relevant year over year changes (YOYC)
- New retro fit kits





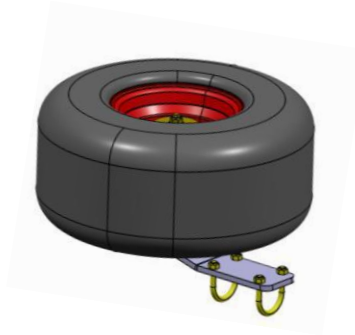


YOYC

- The auger flights are now reinforced up to the end of the auger

Customer benefit

- Reinforced auger for heavy conditions



Retrofit kits for all i36

R03_0550 spare wheel

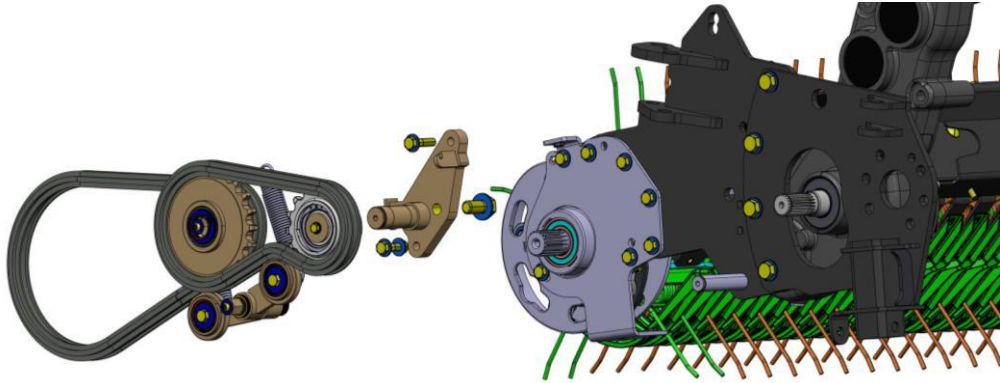
2778 518.0 spare wheel retrofit kit

Availability of the kit: 1st of November 2020

Retrofit kit

Customer benefit

- Spare wheel always on board
- Universal fixture
- Can be used with the clips or with screws



Retrofit kits for all i36

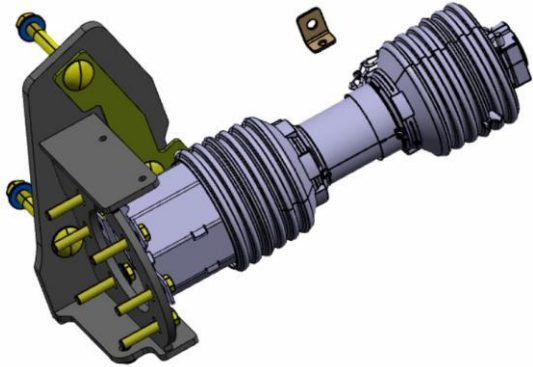
Retrofit kit

2701 346.1 slow down kit

Availability of the kit: 1st of October 2020

Customer benefit

- For machines without variable header drive
- Reduction of the rake speed by 35%
- Especially for extreme high yields and long plants and working speeds under 5 mph



Retrofit kits for all i36

2771 551.0 Adaption kit i36

Availability of the kit: Spring 2021

Retrofit kit

Customer benefit

- Adaption of a PICK UP i36 to JAGUAR 492

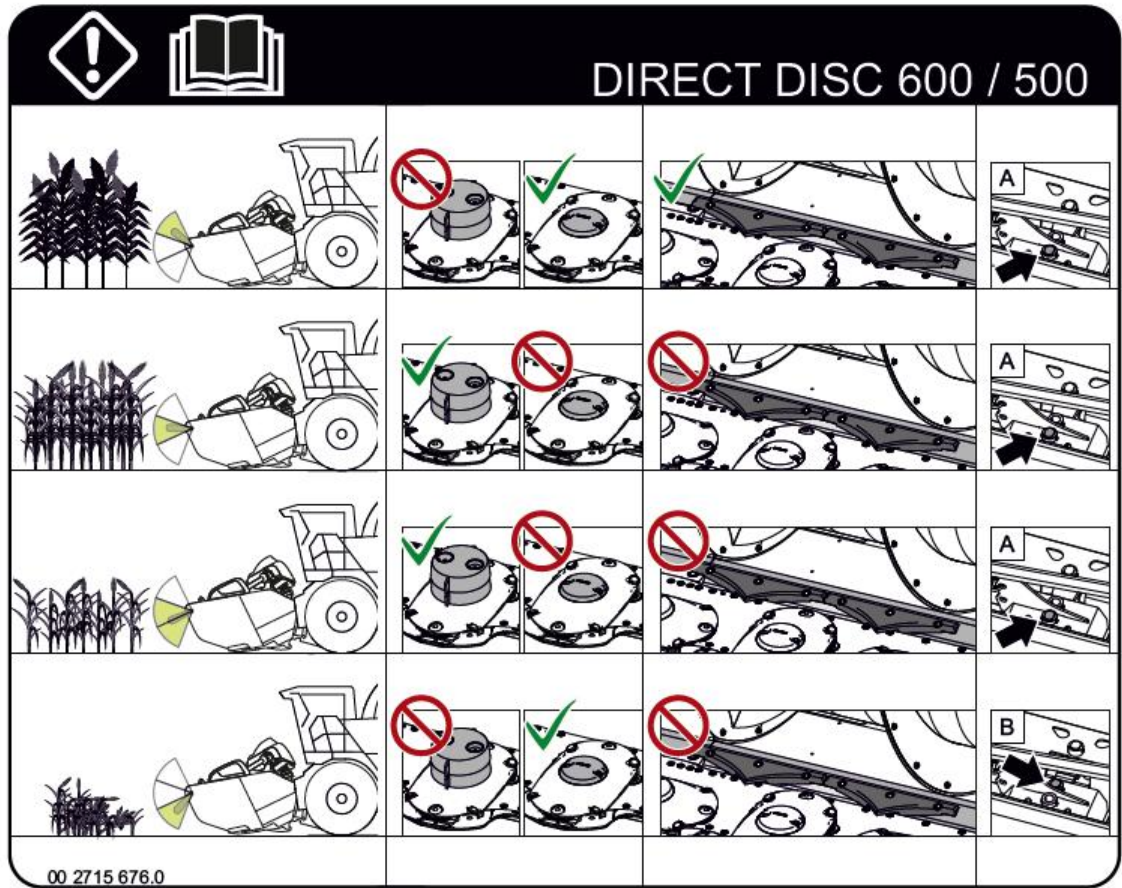
DIRECT DISC



YOYC

- General: Additional Sticker with explanations
- Parts which are used only for sorghum are no longer mounted at factory due to missapplication in some harvest conditions.

- Customer benefit**
- Short explanation at the machine how to adjust the DIRECT DISC in different conditions



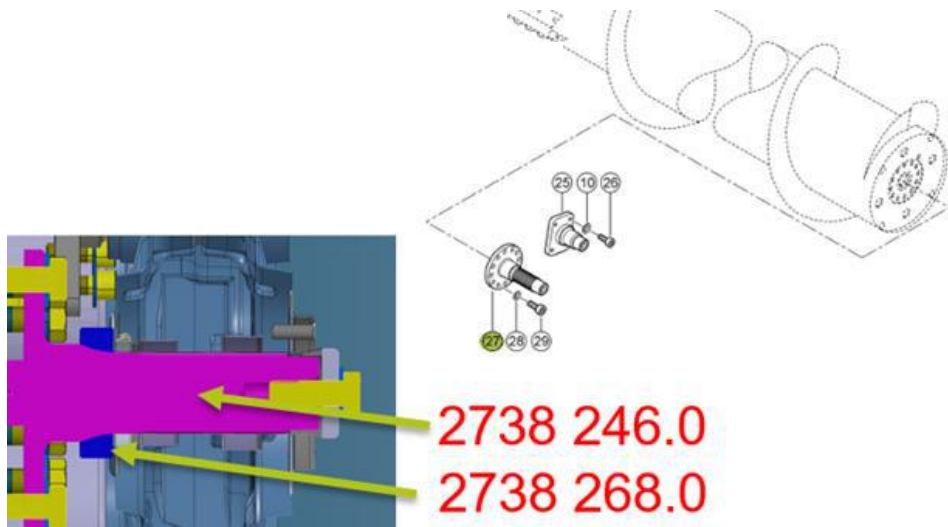


YOYC

- From BY 2020 all machines are equipped with a second scraper at the big auger

Customer benefit

- Better crop feeding in all conditions less losses on the ground

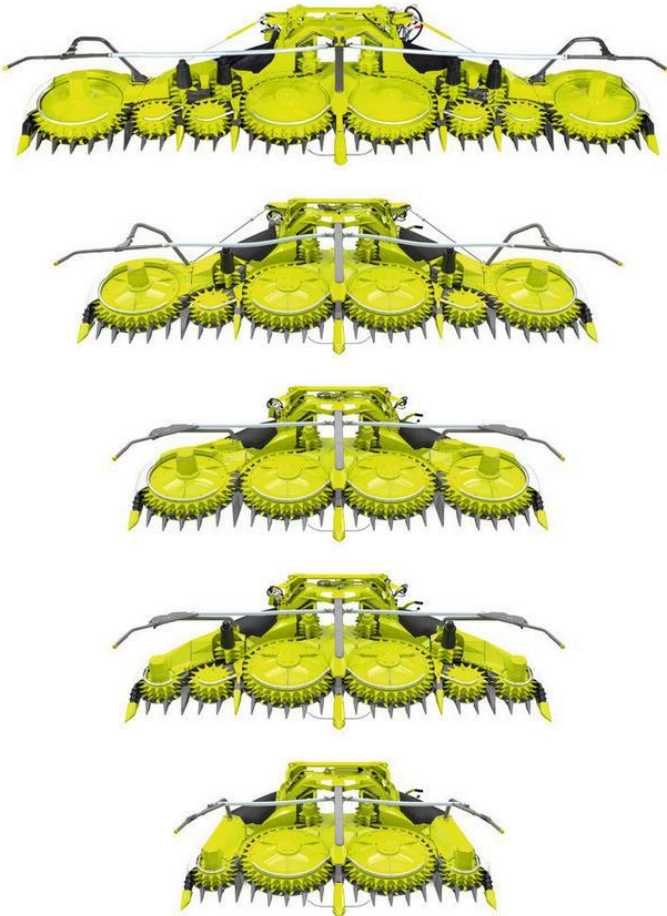


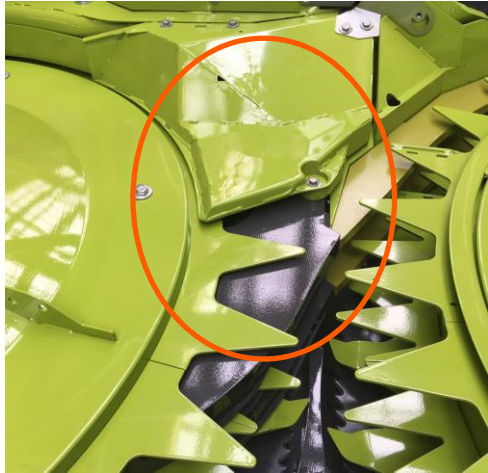
YOYC

- From BY 2020 all machines are equipped with a reinforced drive flange

Customer benefit

- Reliable flange for heavy conditions





Improved scraper fixation and cover hood from BY 2020

YOYC

Customer benefit

- Reinforced fixation of scraper
- Optimized cover hood at the top



New CAC sensing bracket from BY 2020

YOYC

Customer benefit

- Better durability of the material
- Improved fixation

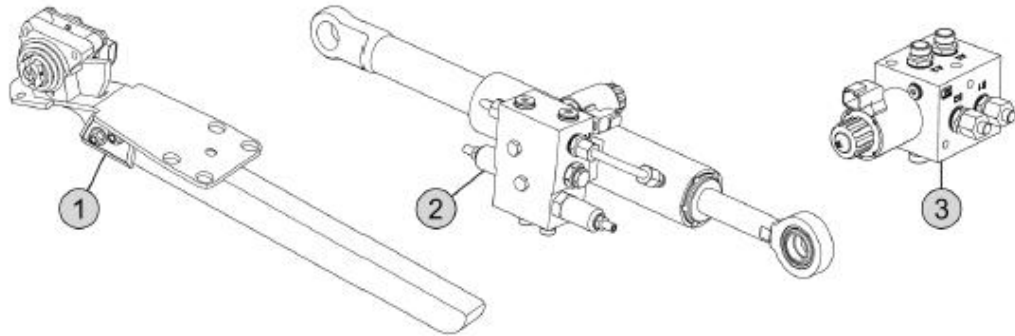


New cover for folding area from BY 2020

YOYC

Customer benefit

- Cover is made of two-ply Material
- Better fixation of the cover at the machine








Retrofit kits for ORBIS i61, i62, i63

Retrofit kit

- 2769 534.1
- Availability of the kit: 1st of August 2020

Customer benefit

- CAC as retrofit available

Typ	picture	Required kits	
		2733 274.1	2733 254.1
I66		1	1
I61			2
I62		2	1
I63		1	2
I65		2	2

Retrofit kits for all ORBIS i6X

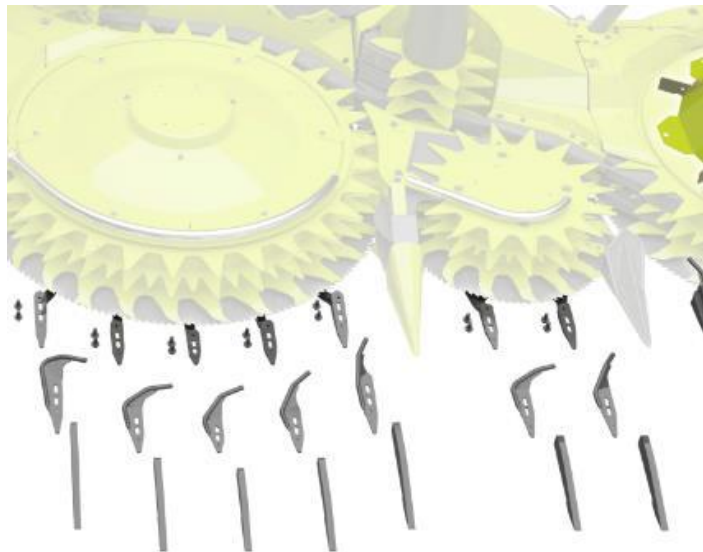
Retrofit kit

Down crop points kit for down corn:

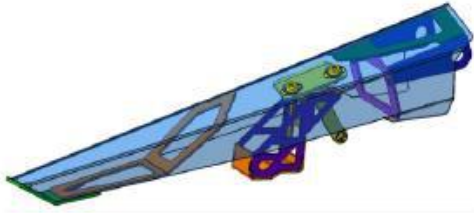
- Kit small drums (1 left & 1 right drum) 2733 274.1
- Kit big drums (1 left & 1 right drum) 2733 254.1

Customer benefit

- Point extension can be attached to the guide fingers
- Intake and harvesting of down corn will be improved
- Stepwise mounting possible to improve harvest in different field conditions (just lifter can be installed



Center down crop point



Retrofit kits for ORBIS i61, i62, i63, i65, i66

Via CSP:

2302 082.2 Center down crop point

Ex-factory option:

D03 0200 Down corn central divider

Customer benefit

- Well-known solution available for all ORBIS generations available
- Better feeding in down corn conditions

Down crop drums



Down crop drums (i61, i63, i65

Via CSP:

2721 737.2 Down corn drums

Ex-factory option:

D03 0110 Down corn drums

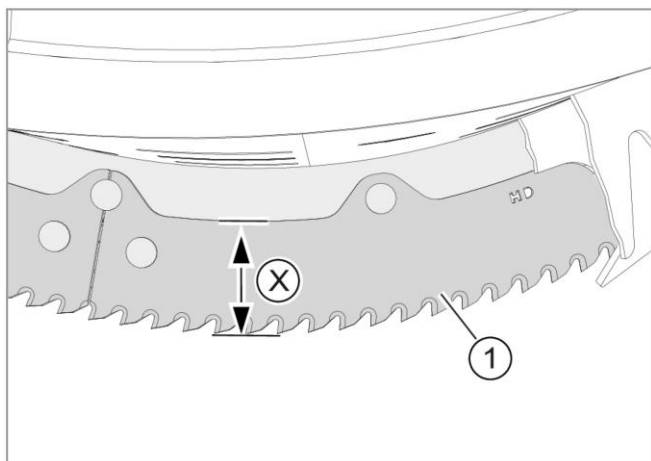
Customer benefit

- Better crop flow and feeding in down corn conditions

Recommended wear limits for ORBIS knives

ORBIS

Information



		X	Part number
 <p>New ORBIS Generation</p>	Small Disc	86.5 mm	2623 989 (PL) 2623 988 (PL)
	Big Disc	85.5 mm	2623 985 (PL) 2623 984 (PL)
 <p>Old ORBIS Generation</p>	Small Disc	86.5 mm	2701 068 (PL) 2619 184 (PL)
	Big Disc	81.0 mm	2619 183 (PL) 2700 460 (PL)